



US00D886632S

(12) **United States Design Patent**
Ahn et al.

(10) **Patent No.:** **US D886,632 S**
(45) **Date of Patent:** **** Jun. 9, 2020**

- (54) **COSMETIC CONTAINER**
- (71) Applicant: **AMOREPACIFIC CORPORATION**,
Seoul (KR)
- (72) Inventors: **Ji Na Ahn**, Seoul (KR); **Sang Ah Lee**,
Seoul (KR)
- (73) Assignee: **AMOREPACIFIC CORPORATION**,
Seoul (KR)
- (**) Term: **15 Years**
- (21) Appl. No.: **29/640,177**
- (22) Filed: **Mar. 12, 2018**
- (51) **LOC (12) Cl.** **09-01**
- (52) **U.S. Cl.**
USPC **D9/723**
- (58) **Field of Classification Search**
USPC D9/442, 503, 695-699, 702-714,
D9/723-729; D24/199; D28/7;
132/317, 318, 320; 222/95, 207, 212,
222/335
CPC A45D 34/00; A45D 40/00; B65D 81/3272
See application file for complete search history.

D686,509 S * 7/2013 Ashiwa D9/688
D726,552 S * 4/2015 Awdeh D9/724
9,289,046 B1 * 3/2016 Blackwell A45D 29/001
9,347,811 B2 * 5/2016 Wang B01L 3/0282
2014/0234007 A1 * 8/2014 Lee A45D 34/00
401/121

* cited by examiner

Primary Examiner — Janice Patyk

(74) *Attorney, Agent, or Firm* — Heedong Chae; Lucem,
PC

(57) **CLAIM**

The ornamental design for a cosmetic container, as shown
and described.

DESCRIPTION

FIG. 1 is a front perspective view of a cosmetic container
showing our new design;
FIG. 2 is a front elevational view thereof, and the rear
elevational view being a mirror image;
FIG. 3 is a left side view thereof, and the right side
elevational view being a mirror image;
FIG. 4 is a top plan view thereof;
FIG. 5 is a bottom plan view thereof; and,
FIG. 6 is a cross-sectional view thereof, taken along line 6-6
in FIG. 4.

The broken lines throughout the drawing figures depict
portions of the cosmetic container that form no part of the
claimed design.

1 Claim, 5 Drawing Sheets

(56) **References Cited**

U.S. PATENT DOCUMENTS

D513,385 S * 1/2006 Garcia D9/443
D516,430 S * 3/2006 Ruiz D1/105
7,434,602 B2 * 10/2008 Barone B65D 47/18
141/112
D582,282 S * 12/2008 Althoff D9/522

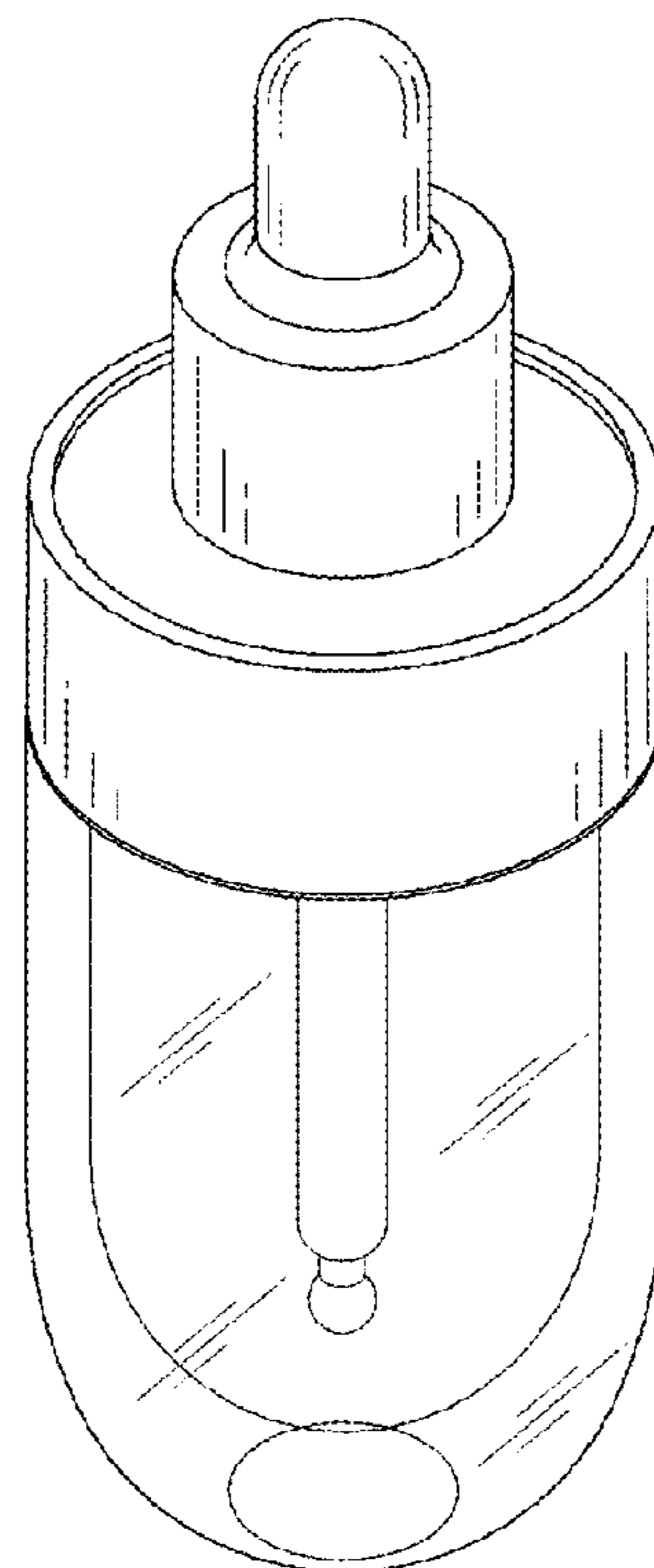


FIG. 1

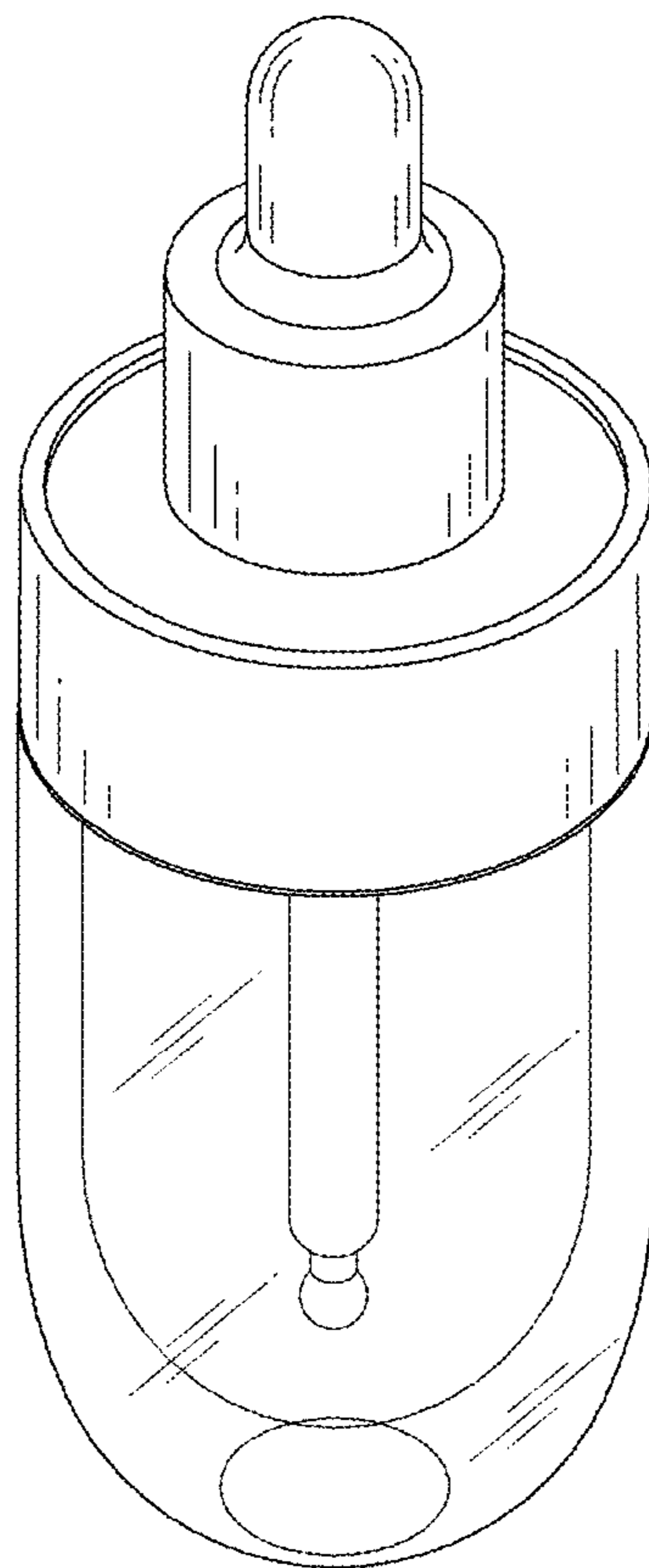


FIG. 2

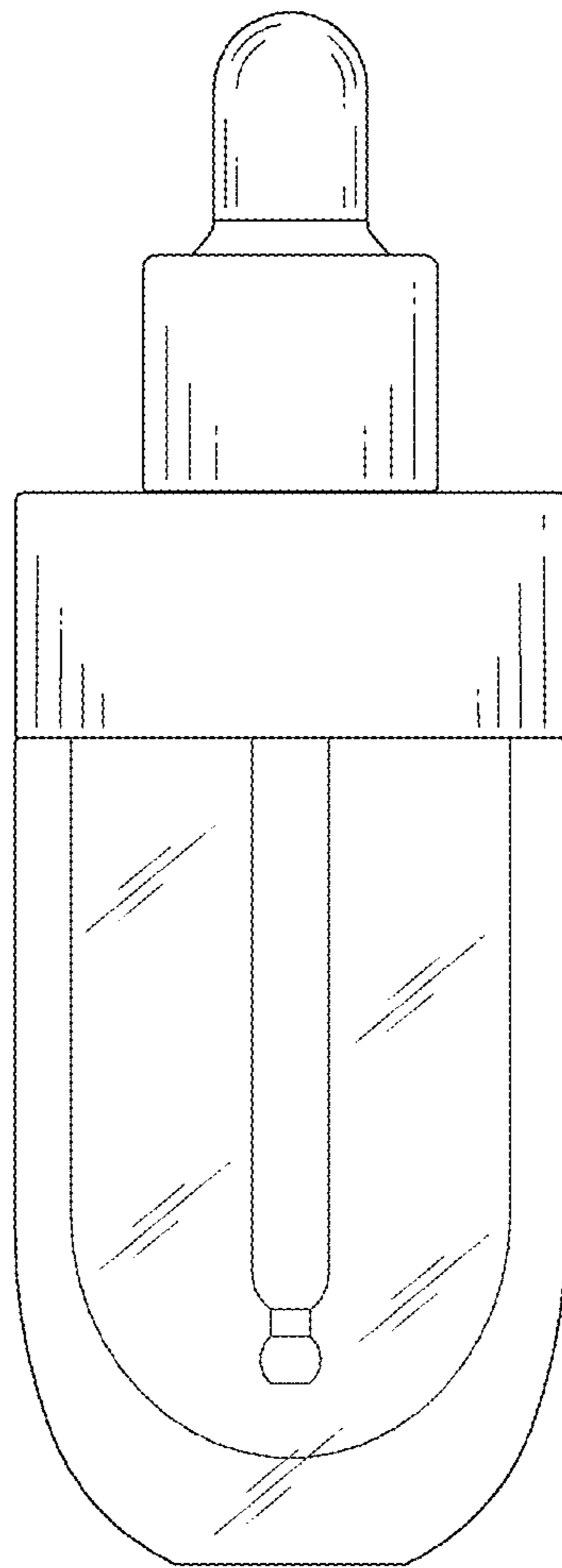


FIG. 3

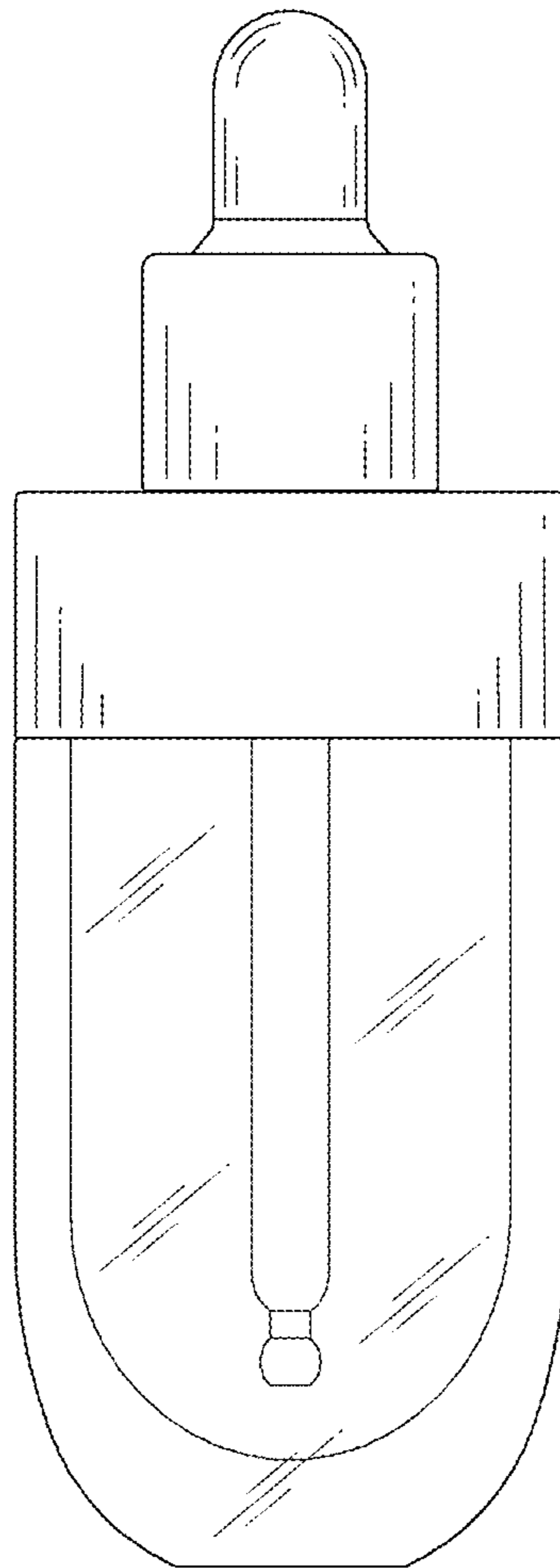


FIG. 4

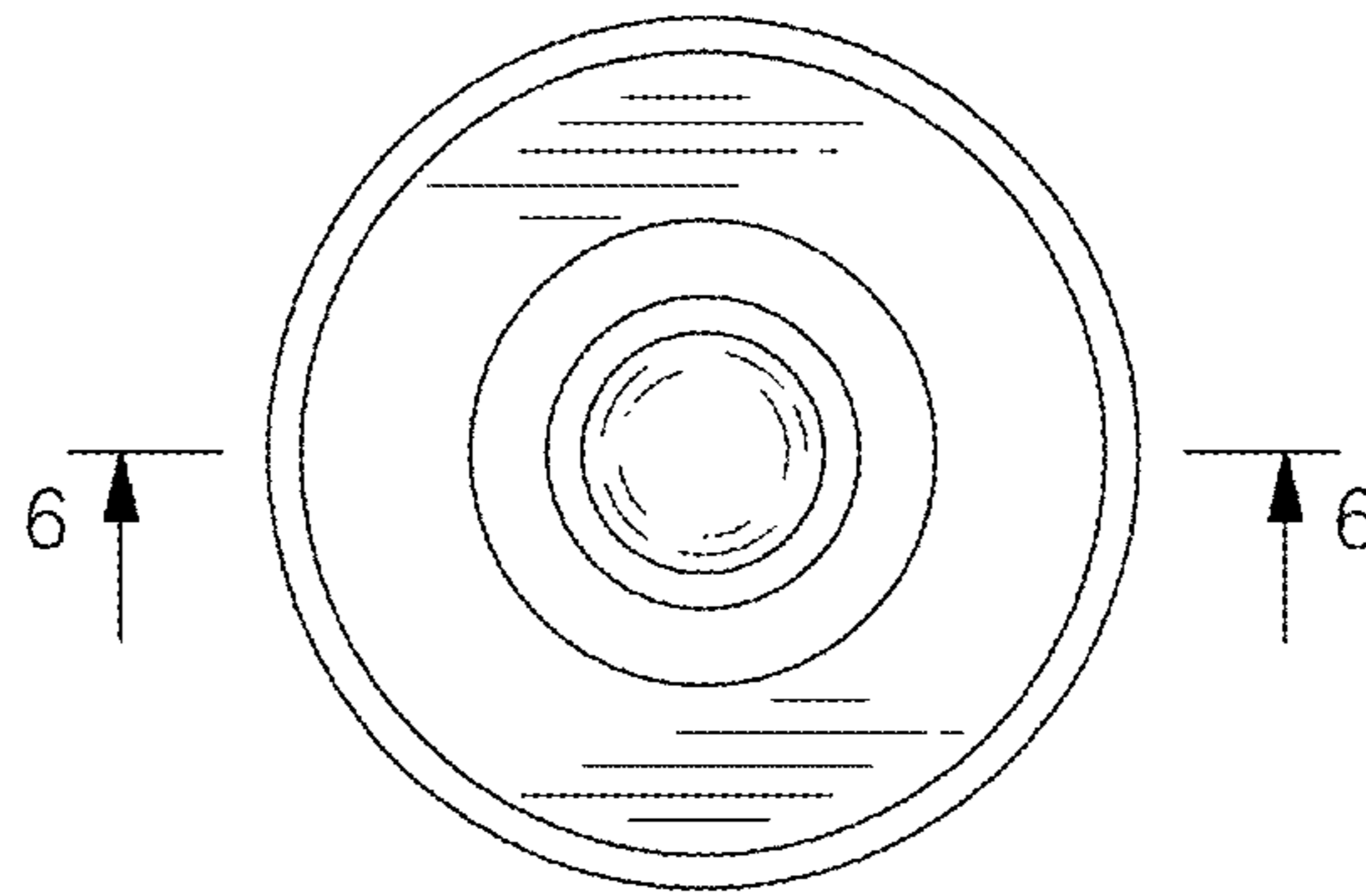


FIG. 5

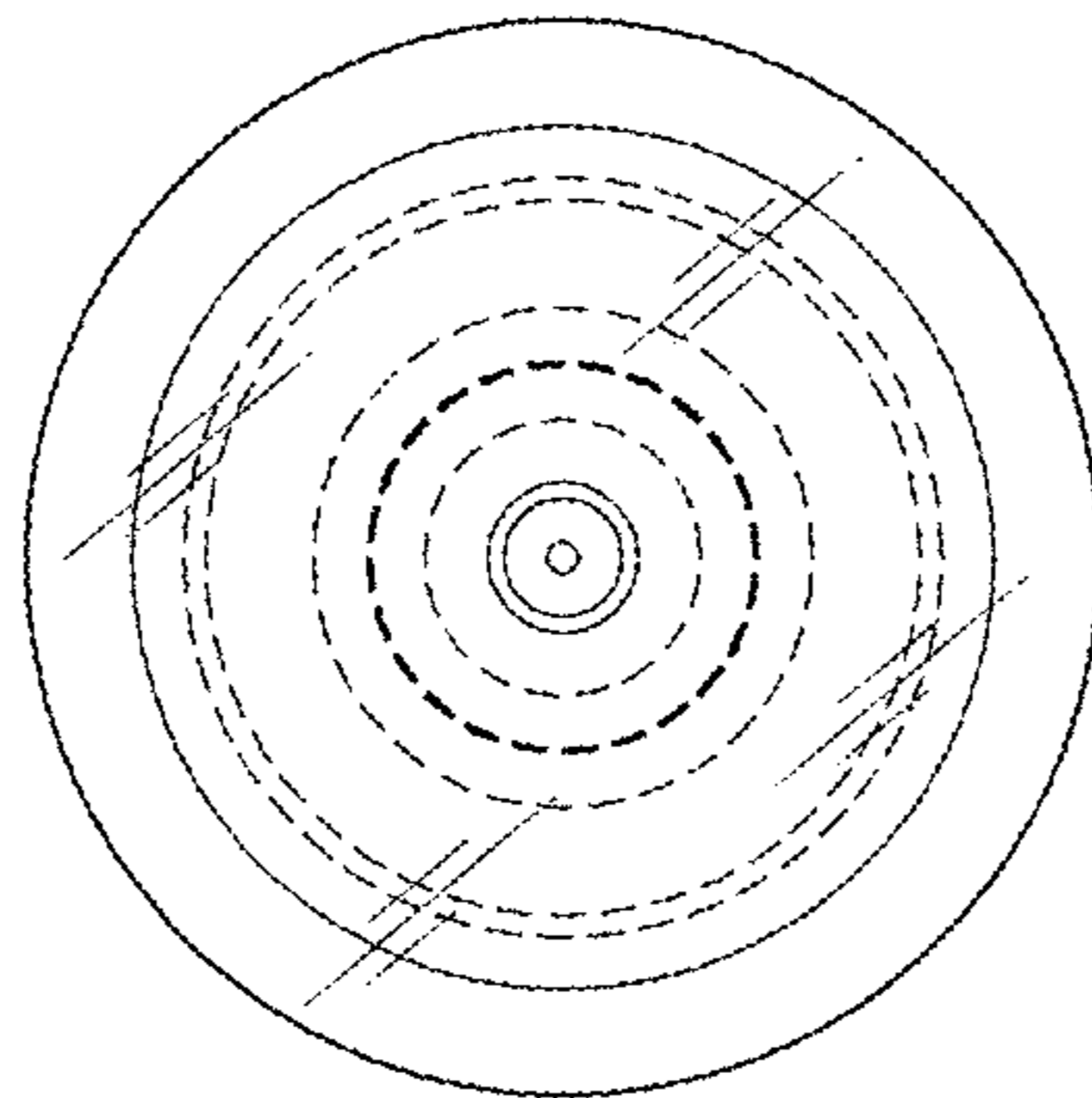


FIG. 6

