



US00D886631S

(12) **United States Design Patent**  
**Knox et al.**

(10) **Patent No.:** **US D886,631 S**  
(45) **Date of Patent:** **\*\* Jun. 9, 2020**

- (54) **FLUX APPLICATOR REFILL**
- (71) Applicant: **DAZCOM, Ltd.**, Wickford (GB)
- (72) Inventors: **Stefan Knox**, Haslemere (GB);  
**Theodore Davies**, Haslemere (GB)
- (73) Assignee: **DAZCOM, Ltd.**, Wickford (GB)
- (\*\*) Term: **15 Years**
- (21) Appl. No.: **29/614,711**
- (22) Filed: **Aug. 22, 2017**
- (51) **LOC (12) Cl.** ..... **09-01**
- (52) **U.S. Cl.**  
USPC ..... **D9/723**
- (58) **Field of Classification Search**  
USPC ..... D9/442, 695-699, 702-714, 723-729;  
D24/199; D28/7; 132/317, 318, 320;  
222/95, 207, 212, 335  
CPC ..... A45D 34/00; A45D 40/00; B65D 81/3272  
See application file for complete search history.

- 3,850,183 A \* 11/1974 Gruska ..... A45D 40/06  
401/78
- D391,166 S \* 2/1998 Lang ..... D9/504
- D454,661 S \* 3/2002 Look ..... D19/66
- D454,666 S \* 3/2002 Look ..... D19/66
- D496,135 S \* 9/2004 Hillock ..... D28/85
- 7,377,707 B2 \* 5/2008 Breidenbach ..... A45D 34/04  
401/11
- 8,523,013 B2 \* 9/2013 Sines ..... B65D 21/08  
221/135
- D739,083 S \* 9/2015 Ho ..... D28/85
- D760,087 S \* 6/2016 Dittmer ..... D9/516

\* cited by examiner

*Primary Examiner* — Janice Patyk

(74) *Attorney, Agent, or Firm* — MacCord Mason PLLC

(57) **CLAIM**

The ornamental design for a flux applicator refill, as shown and described.

**DESCRIPTION**

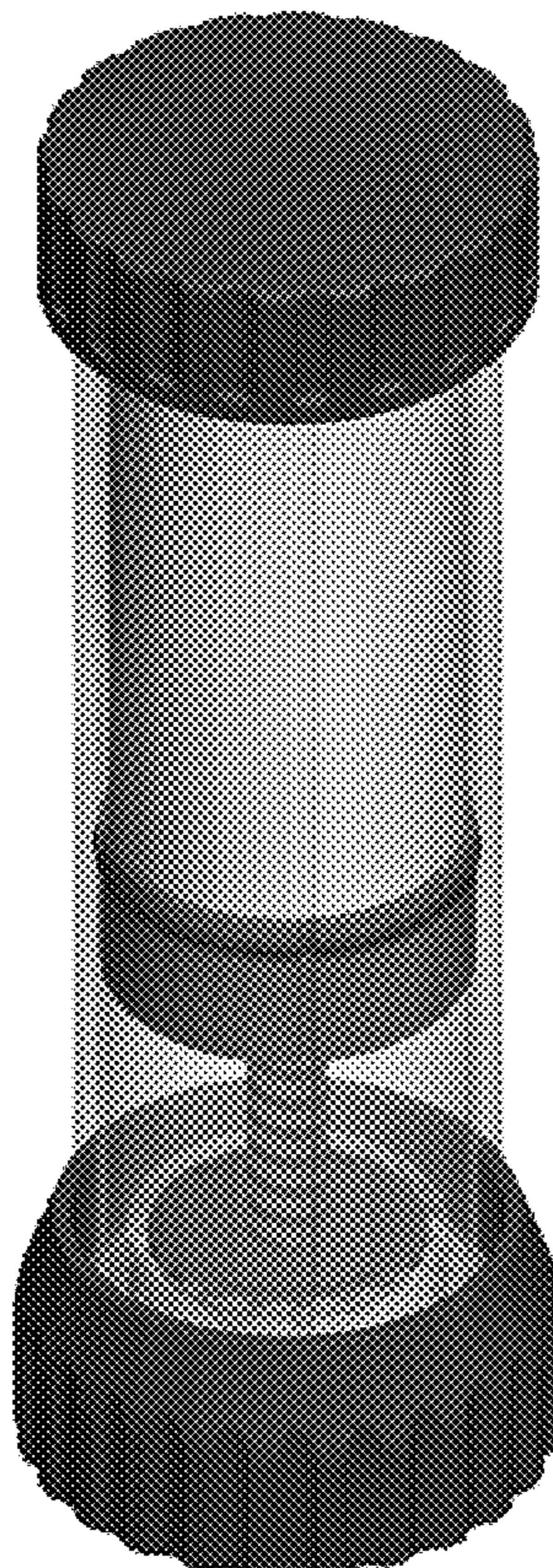
FIG. 1 is a side view of a flux applicator refill, showing our new design;  
 FIG. 2 is a front perspective view thereof;  
 FIG. 3 is a bottom view thereof; and,  
 FIG. 4 is a top view thereof.  
 The broken lines in the figures illustrate the portions of the design that form no part of the claimed design.

(56) **References Cited**

U.S. PATENT DOCUMENTS

- D163,535 S \* 6/1951 Monturo ..... 401/195
- D188,223 S \* 6/1960 Lang ..... D19/66
- 3,021,946 A \* 2/1962 Harris ..... A45D 40/06  
401/61

**1 Claim, 4 Drawing Sheets**



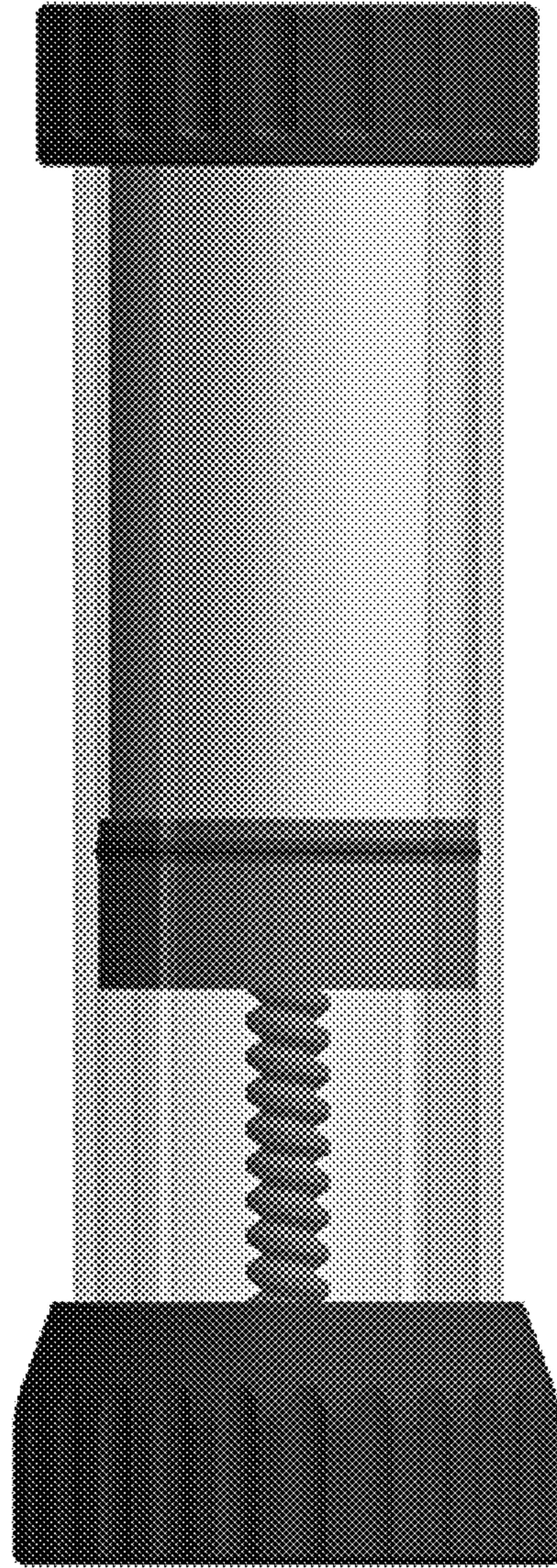


FIG. 1

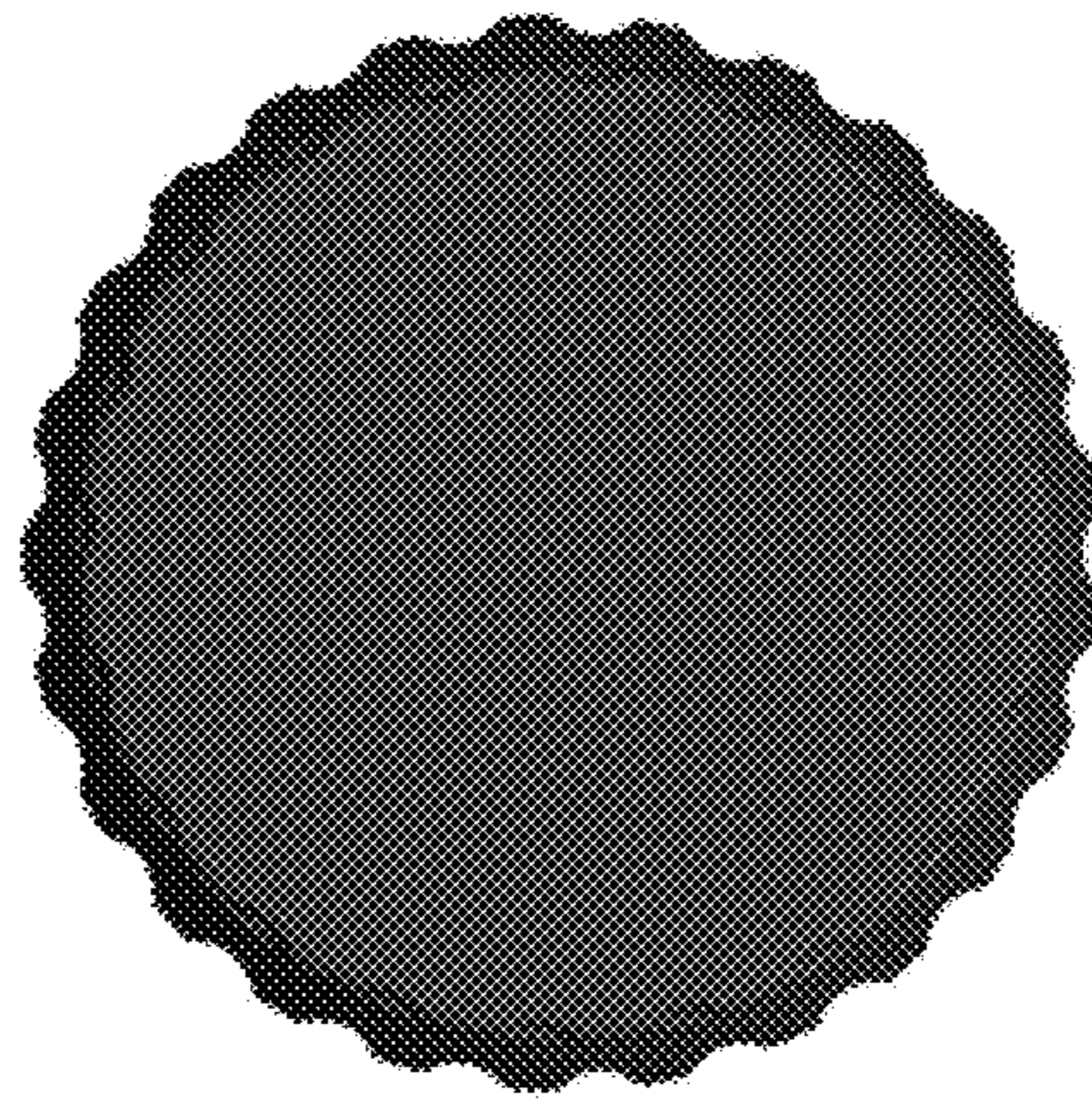


FIG. 2

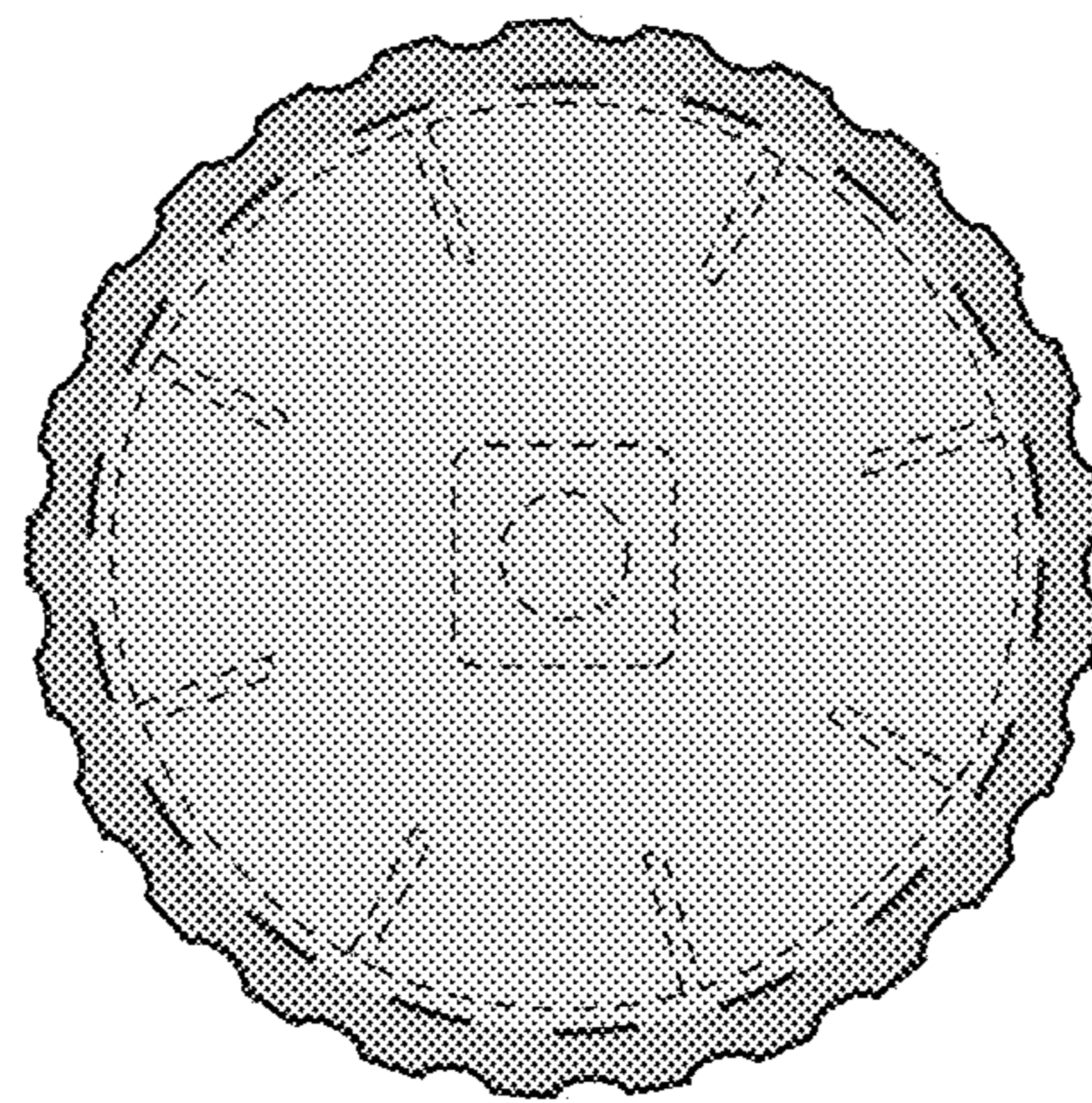


FIG. 3

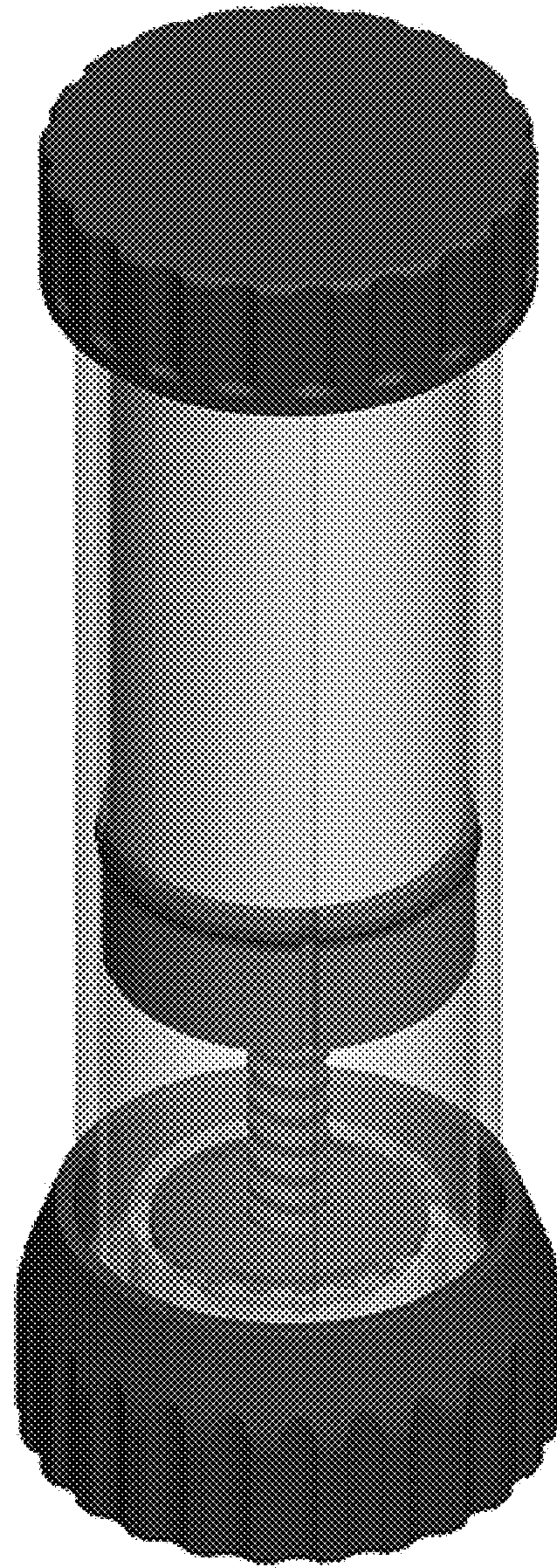


FIG. 4