



US00D886630S

(12) **United States Design Patent**  
**Knox et al.**

(10) **Patent No.:** **US D886,630 S**

(45) **Date of Patent:** **\*\* Jun. 9, 2020**

(54) **FLUX APPLICATOR**

(71) Applicant: **DAZCOM, Ltd.**, Wickford (GB)

(72) Inventors: **Stefan Knox**, Haslemere (GB);  
**Theodore Davies**, Haslemere (GB)

(73) Assignee: **DAZCOM, Ltd.**, Wickford (GB)

(\*\*) Term: **15 Years**

(21) Appl. No.: **29/614,702**

(22) Filed: **Aug. 22, 2017**

(51) **LOC (12) Cl.** ..... **09-01**

(52) **U.S. Cl.**  
USPC ..... **D9/723**

(58) **Field of Classification Search**  
USPC ..... D9/442, 695-699, 702-714, 723-729;  
D24/199; D28/7; 132/317, 318, 320;  
222/95, 207, 212, 335  
CPC ..... A45D 34/00; A45D 40/00; B65D 81/3272  
See application file for complete search history.

(56) **References Cited**

**U.S. PATENT DOCUMENTS**

D315,496 S \* 3/1991 Pettengill ..... D9/526  
D402,193 S \* 12/1998 Bell ..... D9/693  
D415,413 S \* 10/1999 Cummings ..... D9/552

D499,014 S \* 11/2004 Chadfield ..... D9/729  
D532,315 S \* 11/2006 Moutinho ..... D9/725  
D608,408 S \* 1/2010 Moody ..... D22/109  
D645,611 S \* 9/2011 Somers ..... D28/7  
D666,275 S \* 8/2012 DeVore ..... D23/223  
D669,364 S \* 10/2012 Schaeffer ..... D9/685  
D677,362 S \* 3/2013 Christopher ..... D23/223  
D678,783 S \* 3/2013 Wilcox ..... D24/119  
D704,298 S \* 5/2014 Cheng ..... D22/109  
2013/0075283 A1 \* 3/2013 Monson ..... A46B 11/001  
206/216

\* cited by examiner

*Primary Examiner* — Janice Patyk

(74) *Attorney, Agent, or Firm* — MacCord Mason PLLC

(57) **CLAIM**

The ornamental design for a flux applicator, as shown and described.

**DESCRIPTION**

FIG. 1 is a side view of a flux applicator, showing our new design;

FIG. 2 is a front perspective view thereof;

FIG. 3 is a bottom view thereof;

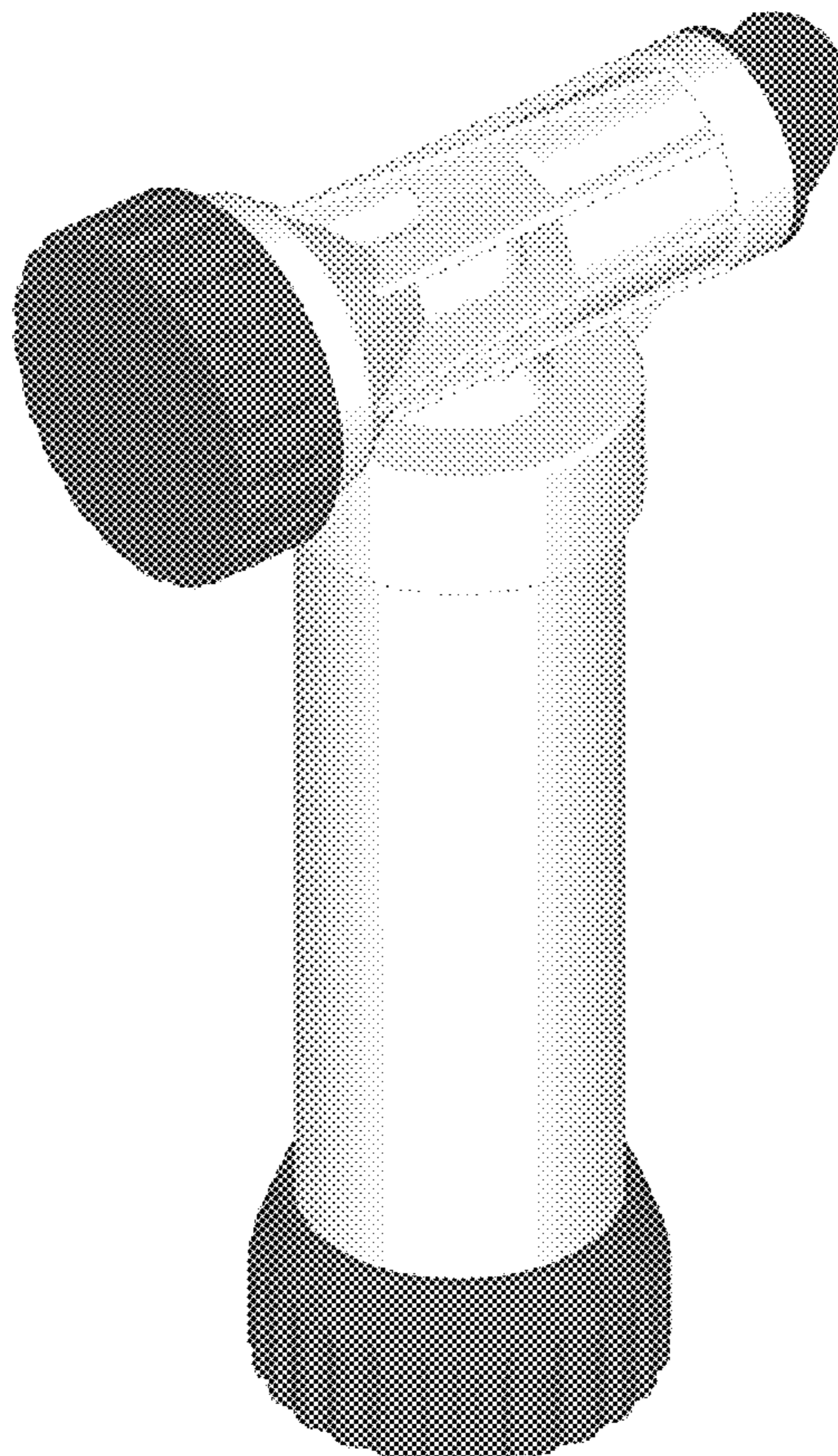
FIG. 4 is a top view thereof;

FIG. 5 is a front view thereof; and,

FIG. 6 is a rear view thereof.

The broken lines in the figures illustrate the portions of the design that form no part of the claimed design.

**1 Claim, 6 Drawing Sheets**



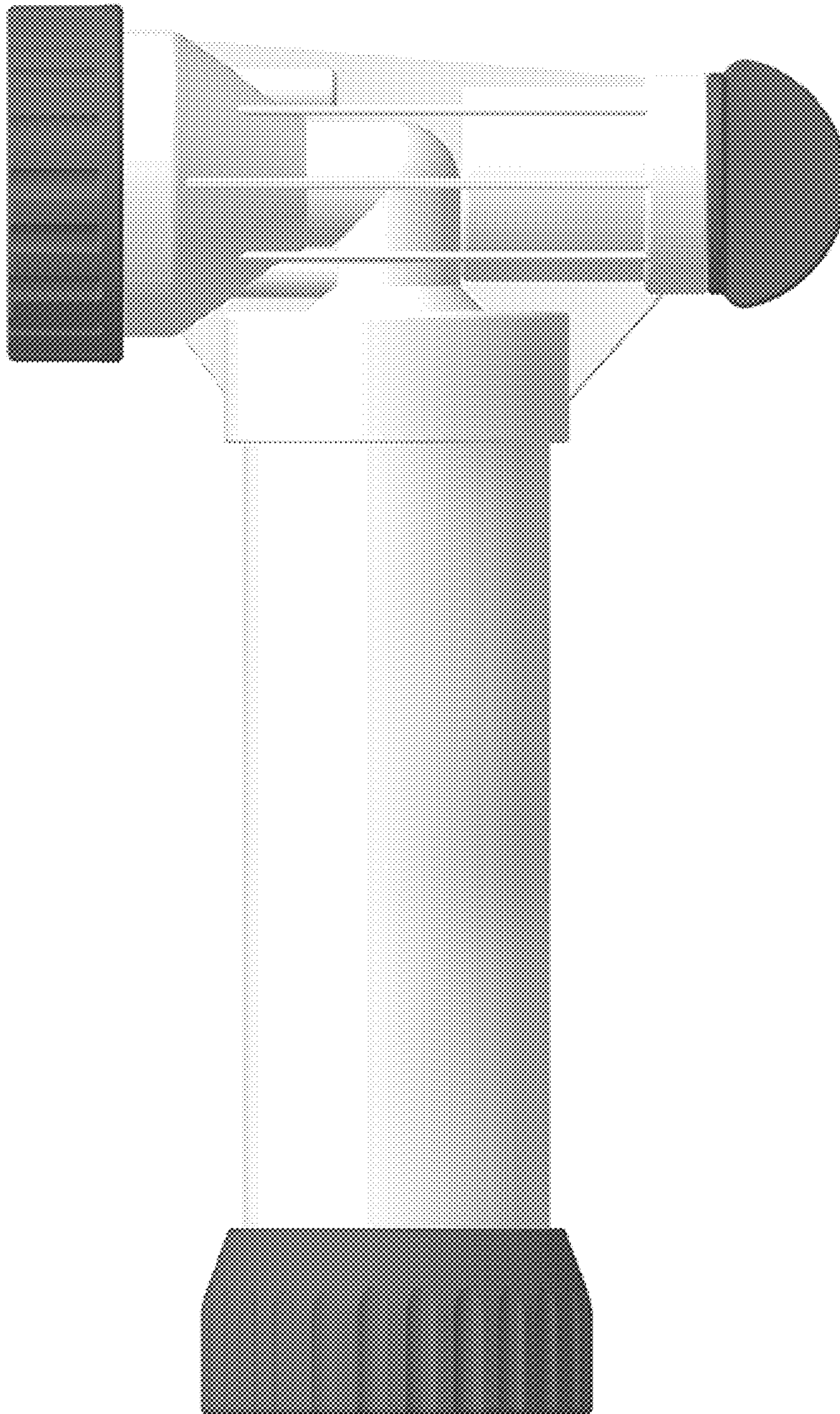


FIG. 1

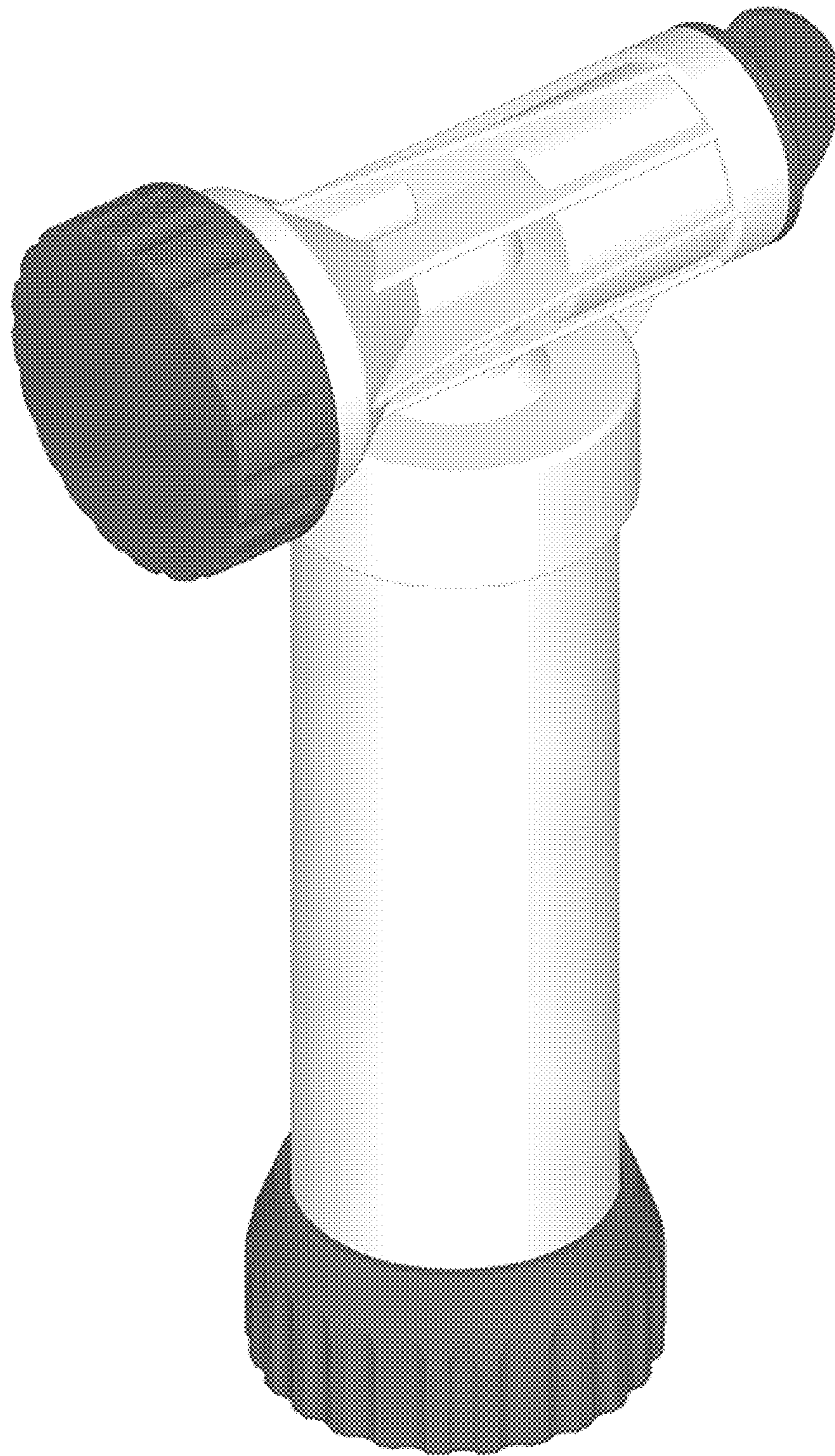


FIG. 2

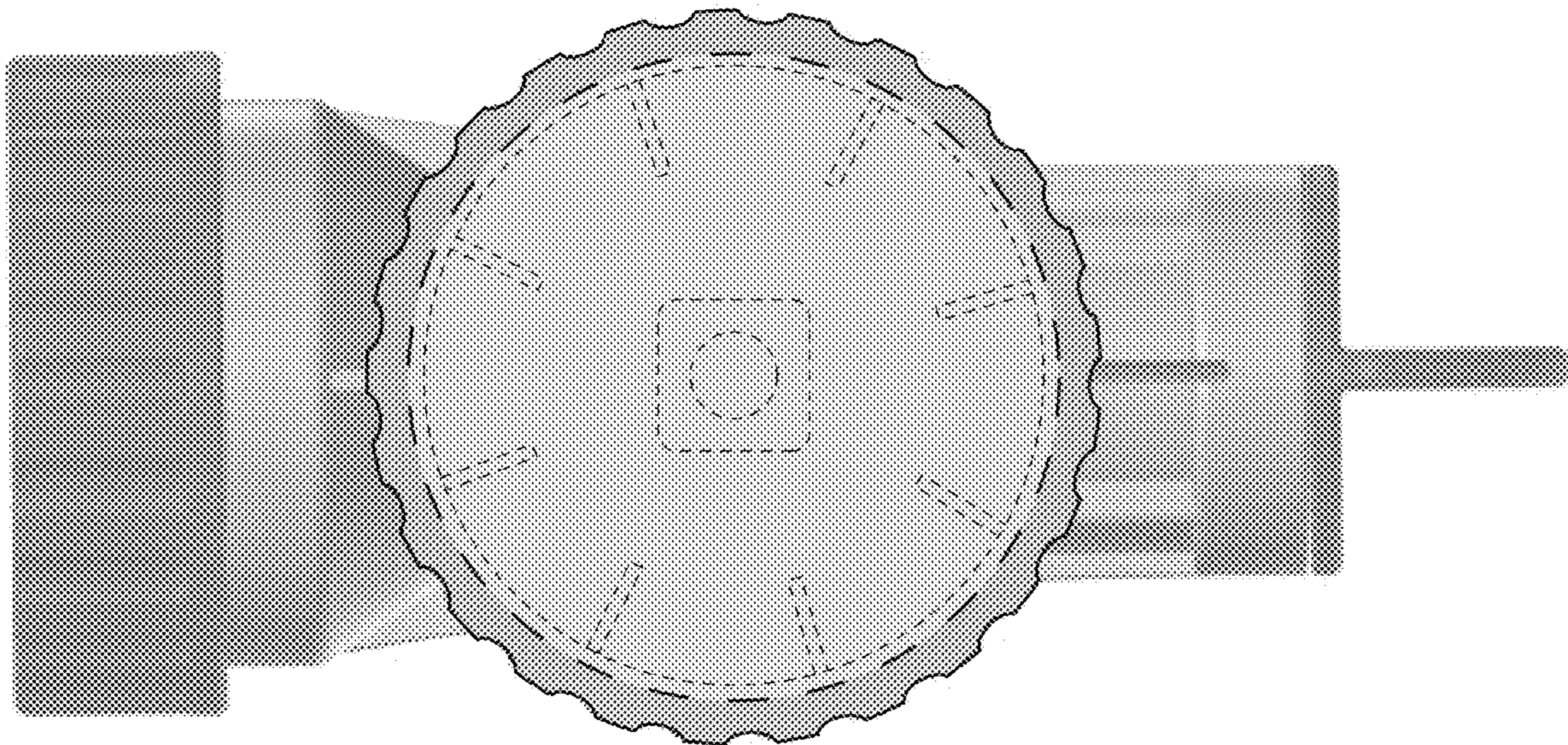


FIG. 3

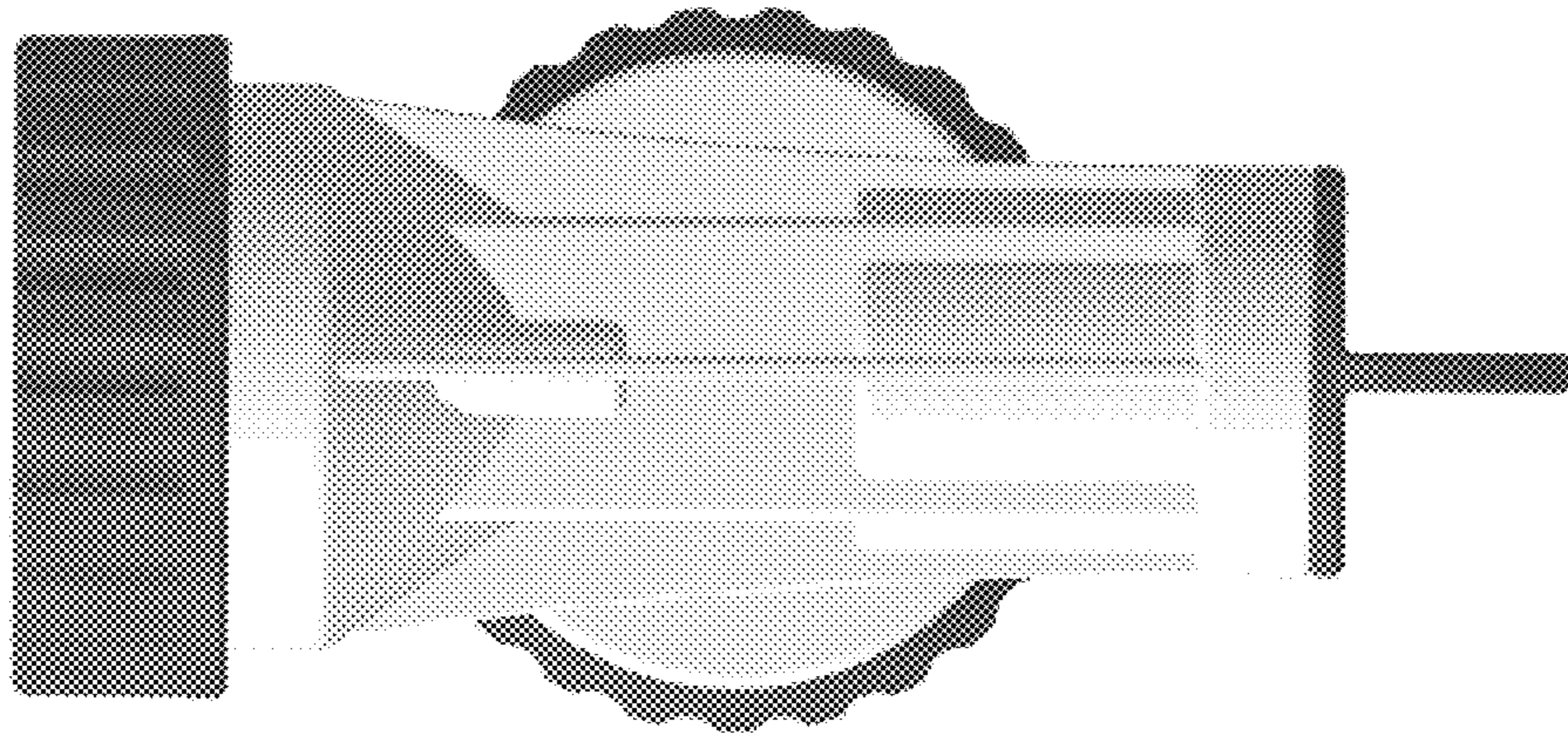


FIG. 4

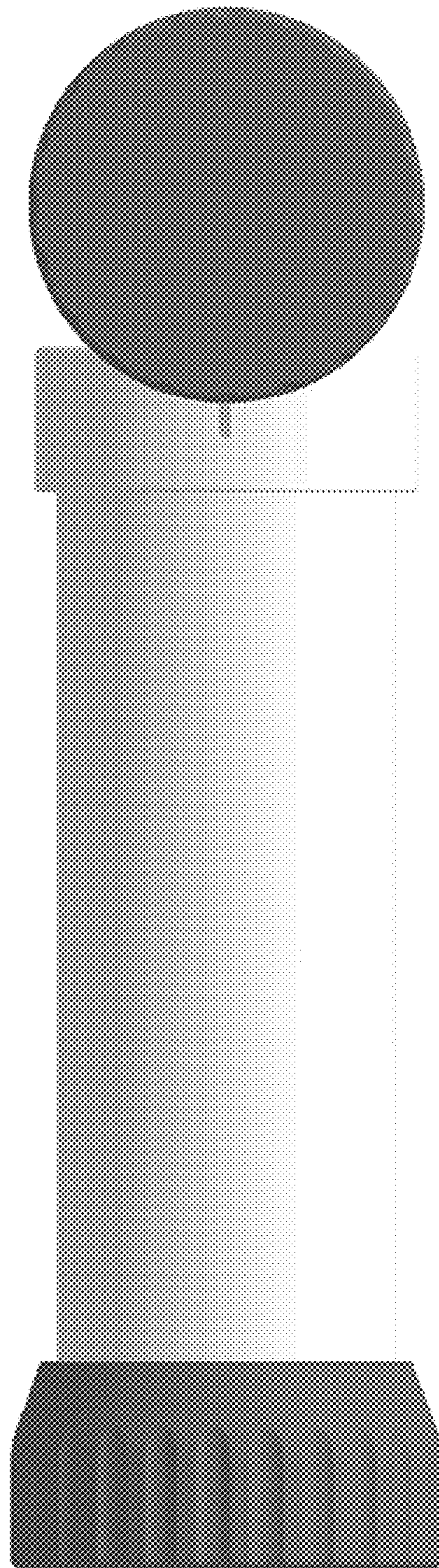


FIG. 5

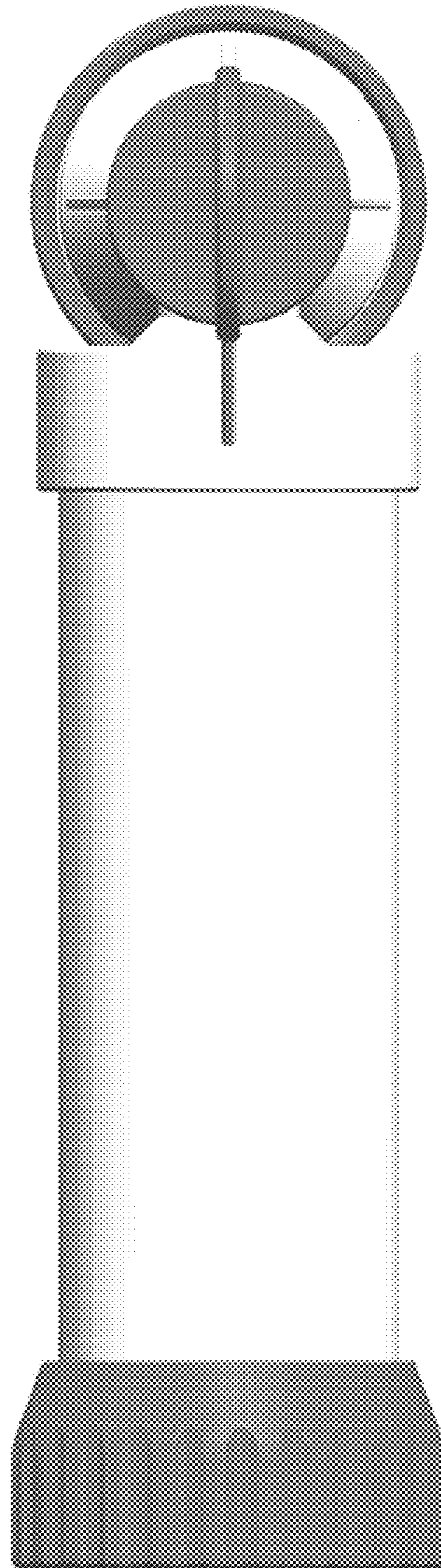


FIG. 6