



US00D886627S

(12) **United States Design Patent**
Ford

(10) **Patent No.:** **US D886,627 S**
(45) **Date of Patent:** **** *Jun. 9, 2020**

(54) **BOTTLE**

(71) Applicant: **Havana Club Holding S.A.**,
Luxembourg (LU)

(72) Inventor: **Jonathan Ford**, London (GB)

(73) Assignee: **Havana Club Holding S.A.**,
Luxembourg (LU)

(*) Notice: This patent is subject to a terminal disclaimer.

(**) Term: **15 Years**

(21) Appl. No.: **29/666,042**

(22) Filed: **Oct. 9, 2018**

(30) **Foreign Application Priority Data**

Apr. 13, 2018 (EM) 005233103-0001

(51) **LOC (12) Cl.** **09-01**

(52) **U.S. Cl.**
USPC **D9/679; D9/600; D9/545; D9/550;**
D9/557; D9/571

(58) **Field of Classification Search**

USPC D9/600, 652, 679, 500-503, 516, 520,
D9/537-546, 549-558, 571, 715, 719;
206/457, 494, 459.5, 527, 540;
229/116.1; 215/381-384, 400;
D7/514-516, 539, 544, 571, 579, 604,
D7/613, 619.2, 628-630, 391-392.1;
D3/270-271.3
CPC B65D 67/00; B65D 81/36; B65D 81/60;
B65D 81/368; B65D 2203/00; B65D
2203/02; B65D 5/42; B65D 5/4208;
B65D 77/00; A63H 33/16

See application file for complete search history.

(56) **References Cited**

U.S. PATENT DOCUMENTS

D326,812 S *	6/1992	Noakes	D9/549
D452,442 S *	12/2001	Bowen	D9/503
D540,178 S *	4/2007	Stewart	D9/545
D606,417 S *	12/2009	Castelnuovo-Tedesco	D9/504
D639,165 S *	6/2011	Dingenouts	D9/500
D644,115 S *	8/2011	Bonadio	D9/503
D682,697 S *	5/2013	Gonzalez Rodriguez	D9/500
D697,420 S *	1/2014	Hamill	D9/500
D701,770 S *	4/2014	Hamill	D9/500
D799,060 S *	10/2017	Ammar	D9/550
D803,686 S *	11/2017	Lauret	D9/500

* cited by examiner

Primary Examiner — Sandra L Morris

(74) *Attorney, Agent, or Firm* — Arnold & Porter Kaye
Scholer LLP

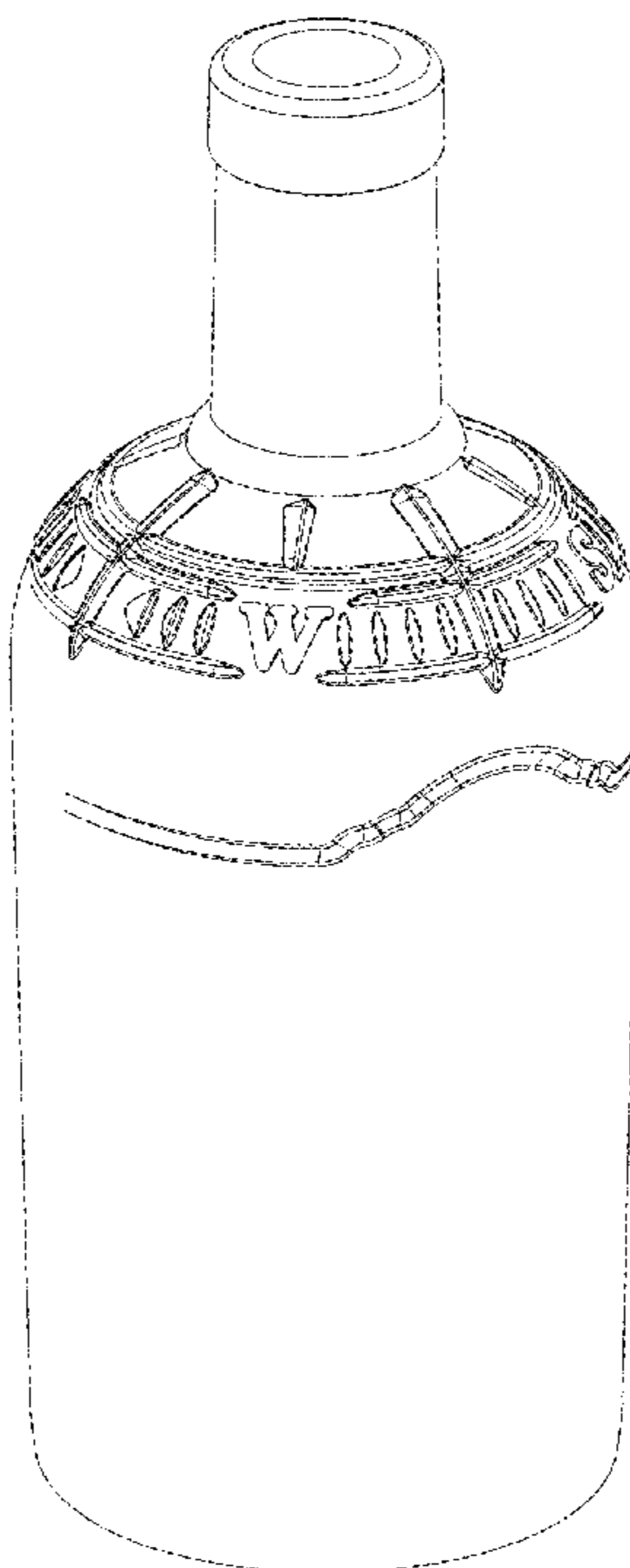
(57) **CLAIM**

The ornamental design for a bottle, as shown and described.

DESCRIPTION

FIG. 1 is a front view of the bottle.
FIG. 2 is a left side view of the bottle.
FIG. 3 is a rear view of the bottle.
FIG. 4 is a right side view of the bottle.
FIG. 5 is a top view of the bottle.
FIG. 6 is a first perspective view of the bottle; and,
FIG. 7 is a second perspective view of the bottle.

1 Claim, 7 Drawing Sheets



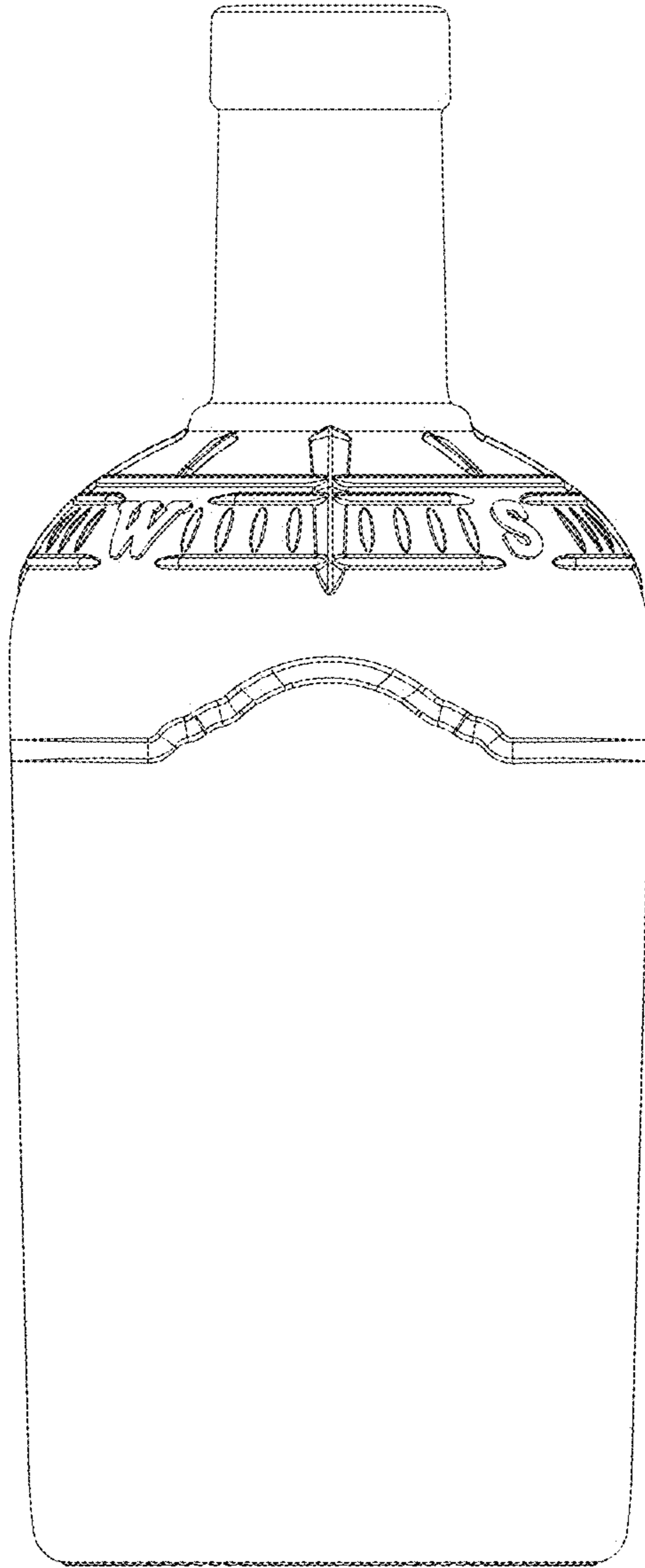


Figure 1

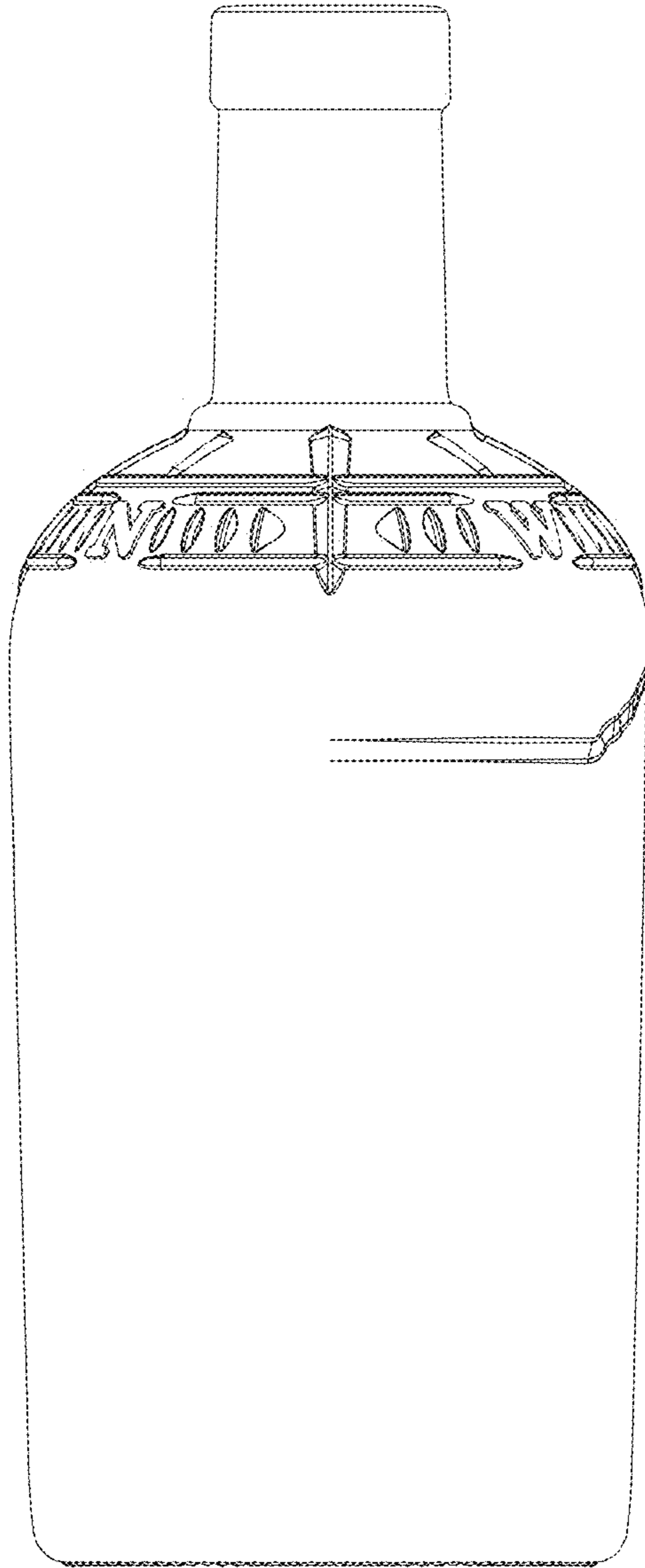


Figure 2

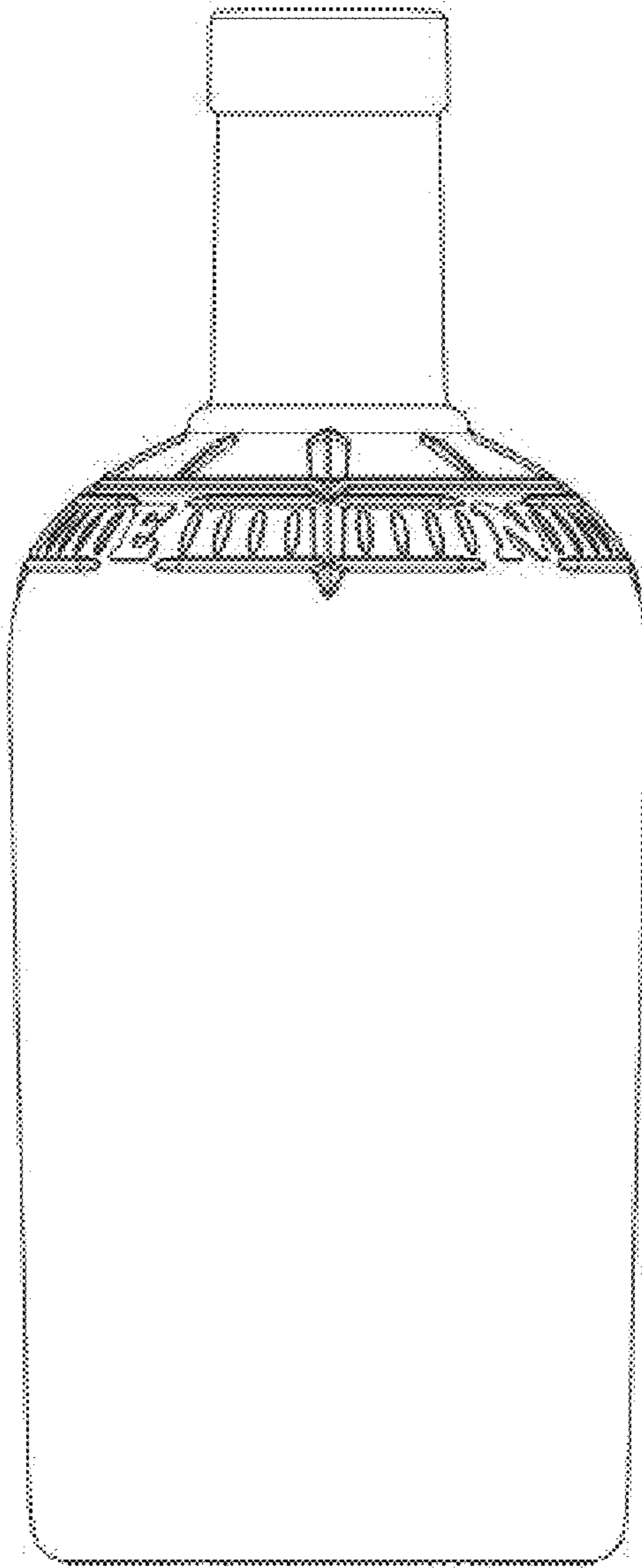


Figure 3

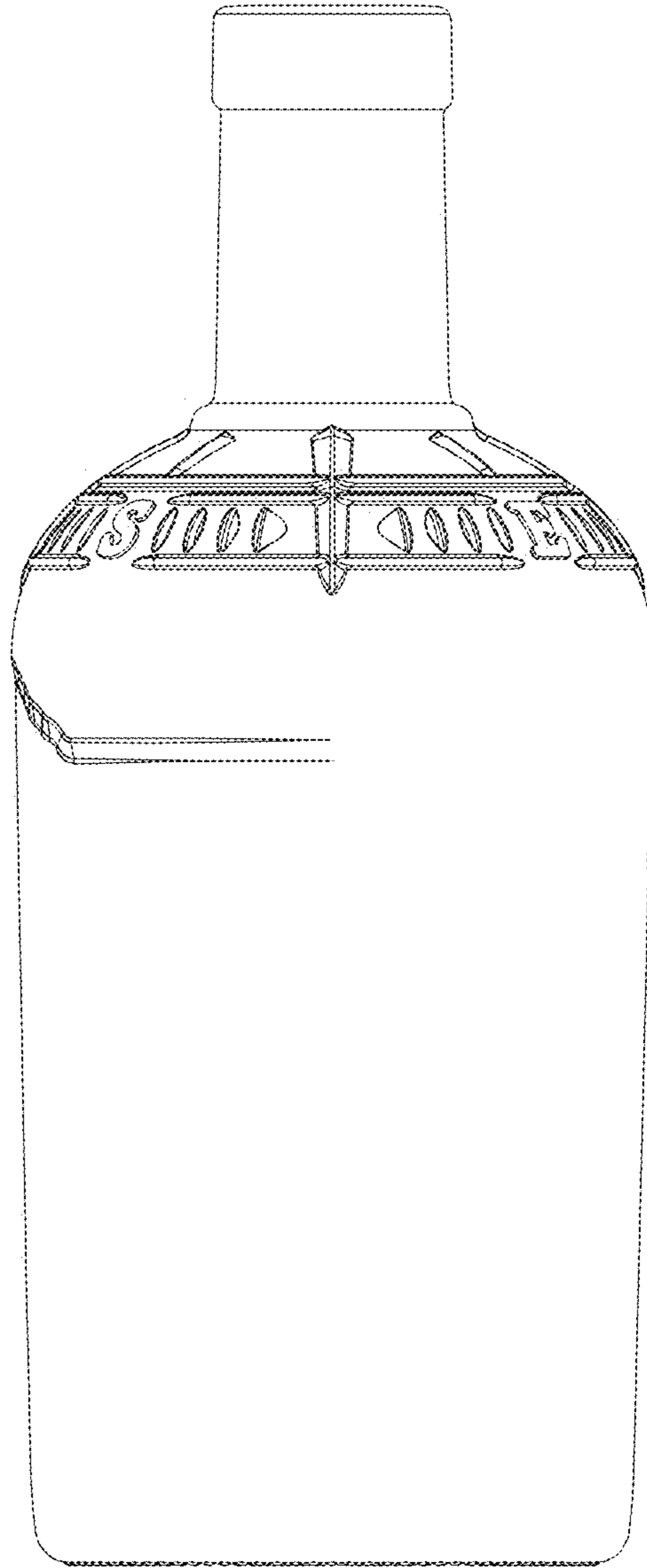


Figure 4

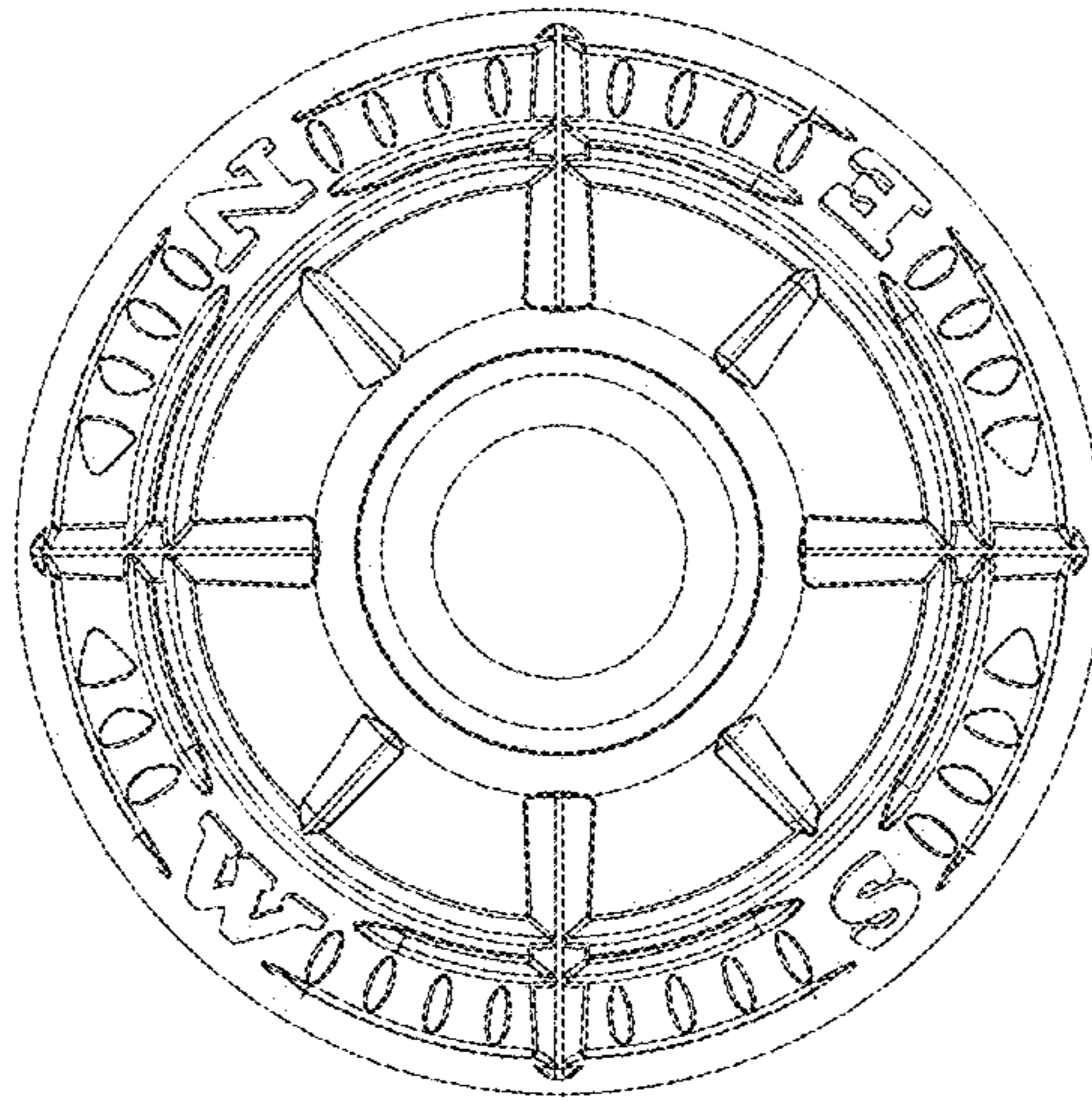


Figure 5

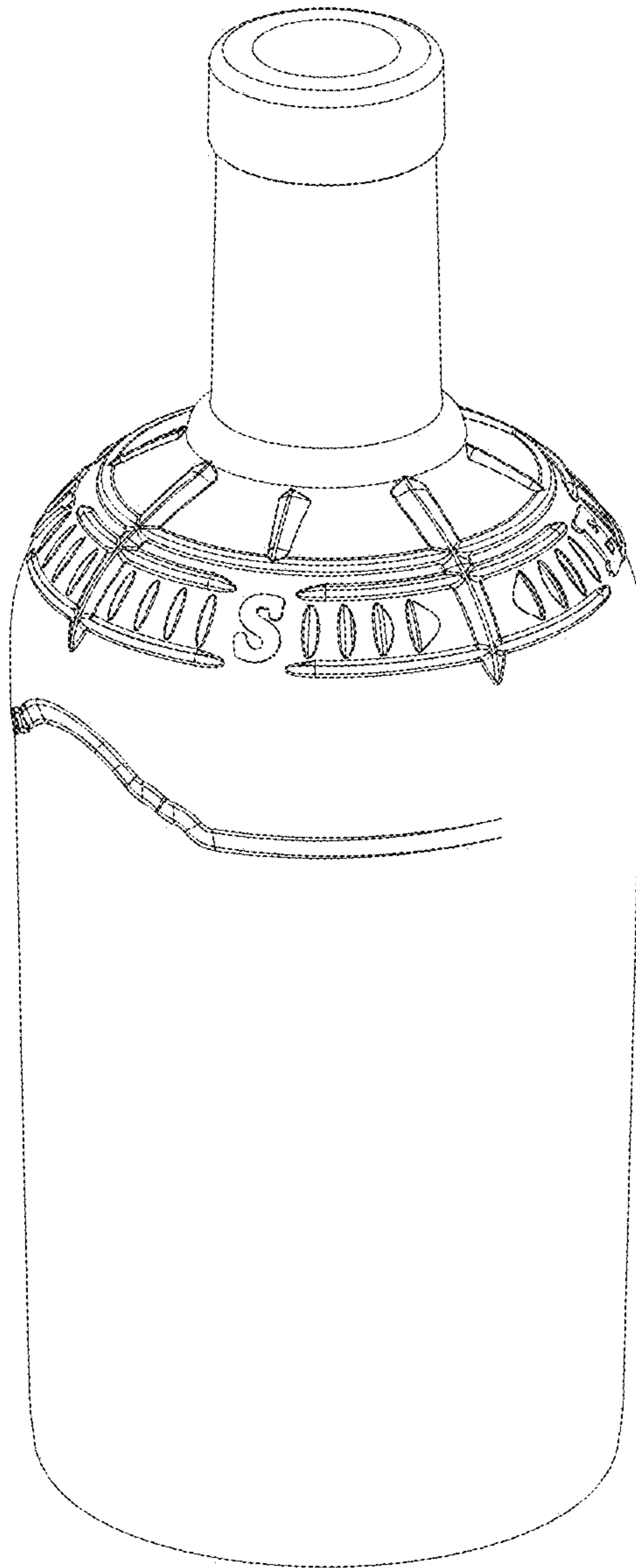


Figure 6

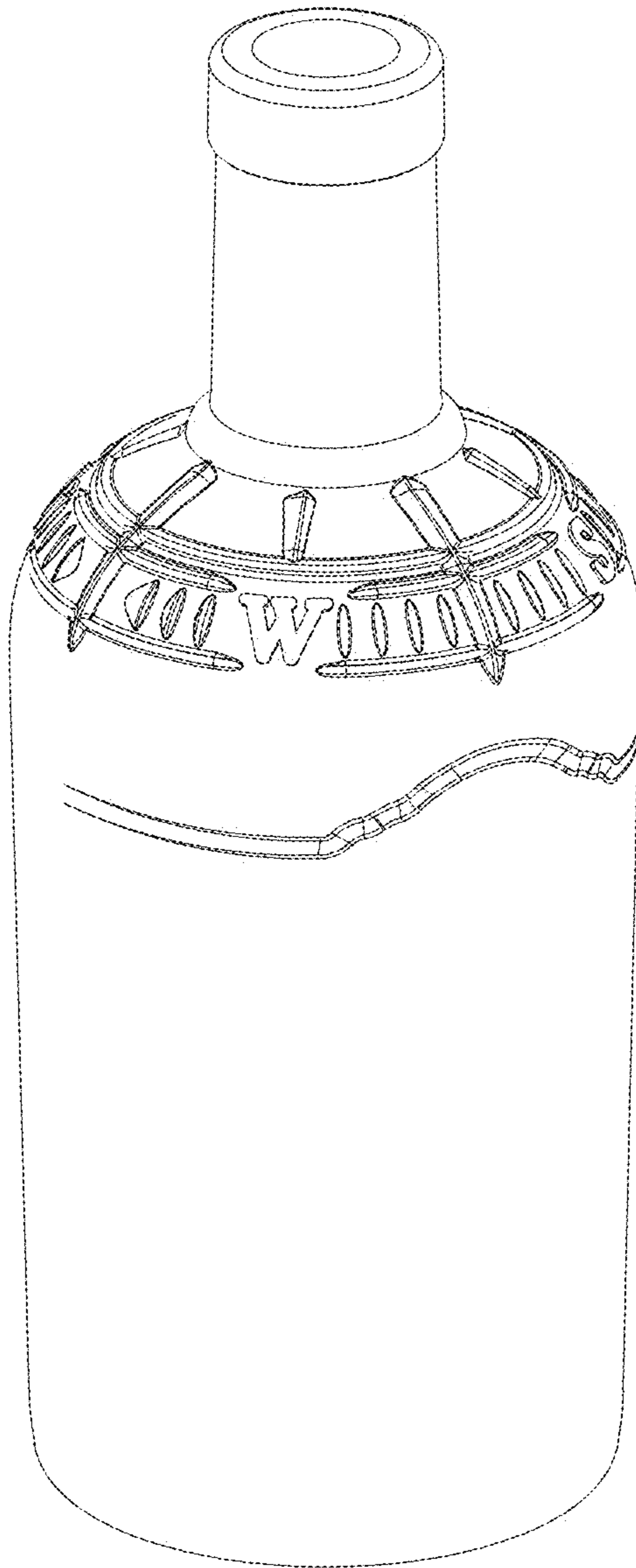


Figure 7