



US00D886626S

(12) **United States Design Patent**
Fell et al.

(10) **Patent No.:** **US D886,626 S**
(45) **Date of Patent:** **** Jun. 9, 2020**

- (54) **BOTTLE**
- (71) Applicant: **DIAGEO BRANDS B.V.**, Amsterdam (NL)
- (72) Inventors: **Andrew Fell**, Amsterdam (NL); **Ann Chen**, Amsterdam (NL); **Nicolas Johnson**, Amsterdam (NL)
- (73) Assignee: **Diageo Brands B.V.**, Amsterdam (NL)
- (**) Term: **15 Years**
- (21) Appl. No.: **35/506,214**
- (22) Filed: **Jun. 12, 2018**

D536,256 S *	2/2007	Nagata	D9/557
D580,773 S *	11/2008	Rica	D9/544
D612,739 S *	3/2010	Delbon	D9/544
D622,602 S *	8/2010	Potts	D9/544
D658,062 S *	4/2012	Kim	D9/528
D676,331 S *	2/2013	Hartford	D9/544
D773,316 S *	12/2016	Liu	D9/738
D773,939 S *	12/2016	Liu	D9/738
D779,956 S *	2/2017	Ring	D9/563
D782,772 S *	3/2017	Crane	D99/34
D784,820 S *	4/2017	Kuzma	D9/544
D795,076 S *	8/2017	Andran	D9/546
10,183,779 B2 *	1/2019	Yourist	B65D 1/0223
D842,703 S *	3/2019	Lam	D9/528
D849,547 S *	5/2019	Howell	D9/528
D854,937 S *	7/2019	Li	D9/573
D857,513 S *	8/2019	Cannamela	D9/559
D863,972 S *	10/2019	Staab	D9/560
D863,973 S *	10/2019	Staab	D9/574

- (80) **Hague Agreement Data**
- Int. Filing Date: **Jun. 12, 2018**
- Int. Reg. No.: **DM/103423**
- Int. Reg. Date: **Jun. 12, 2018**
- Int. Reg. Pub. Date: **Dec. 14, 2018**
- (51) **LOC (12) Cl.** **09-01**
- (52) **U.S. Cl.**
- USPC **D9/574**
- (58) **Field of Classification Search**
- USPC D9/574, 560, 559, 573, 528, 544, 563,
D9/738, 557, 546, 520; D99/34
- CPC B65D 1/0223
- See application file for complete search history.

* cited by examiner

Primary Examiner — Rhea Shields
(74) *Attorney, Agent, or Firm* — Morgan, Lewis & Bockius LLP

(57) **CLAIM**

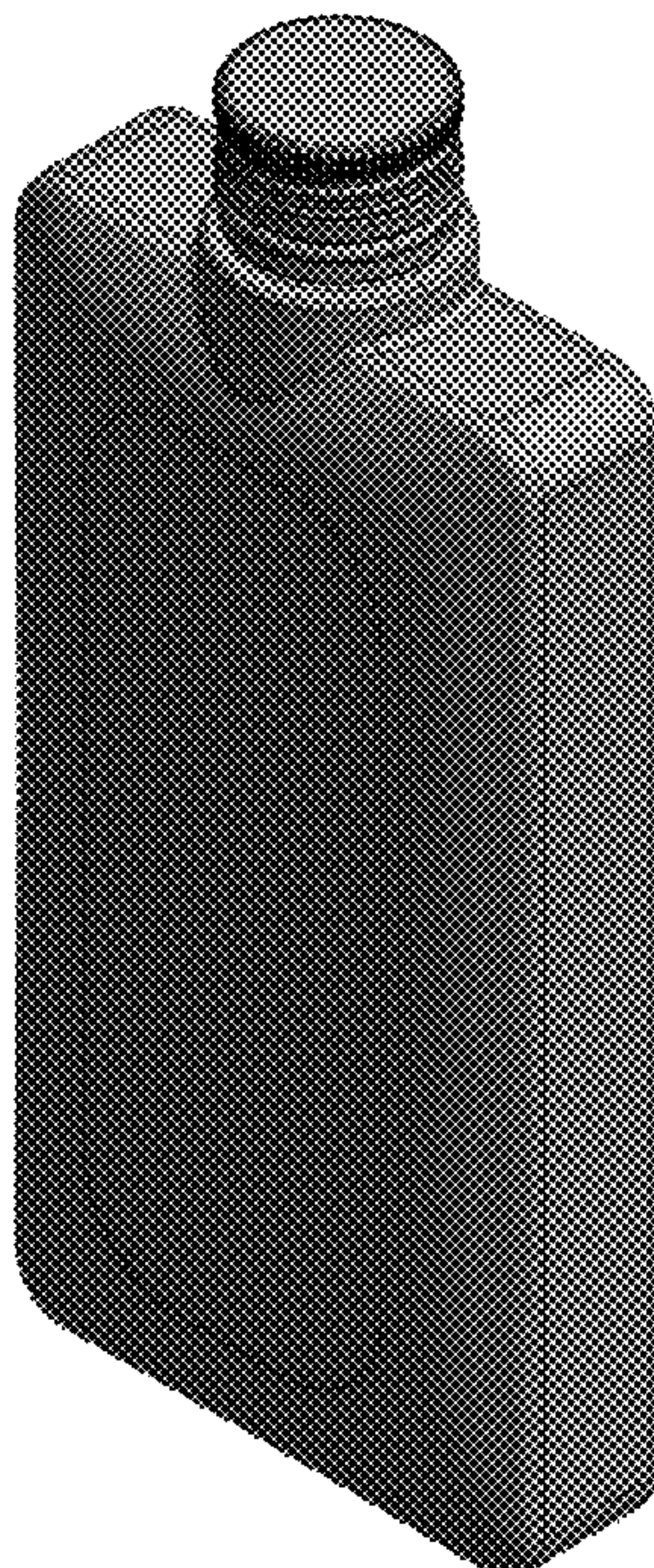
The ornamental design for a bottle, as shown and described.

DESCRIPTION

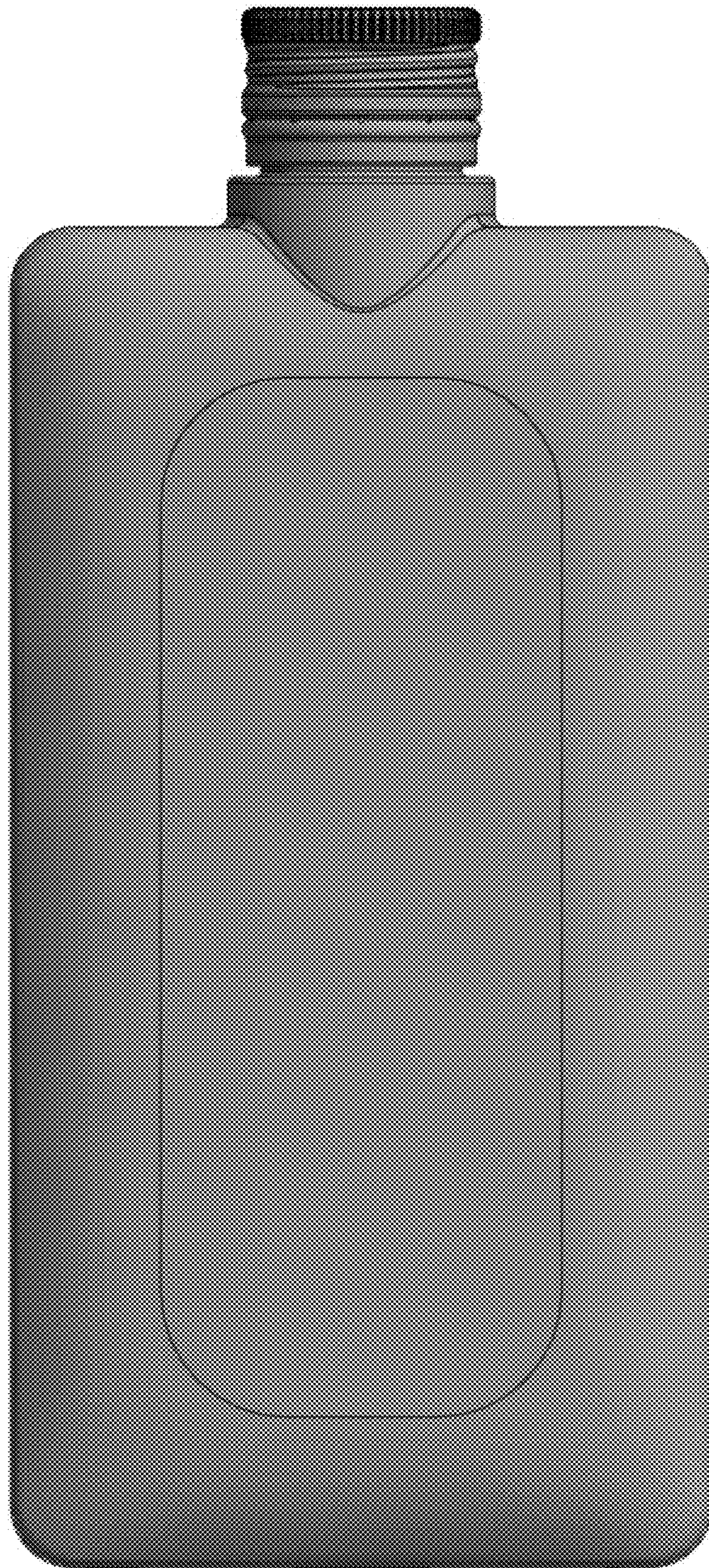
- 1. Bottle
- 1.1 : Front
- 1.2 : Left
- 1.3 : Back
- 1.4 : Top
- 1.5 : Bottom
- 1.6 : Perspective
- 1.7 : Perspective

- (56) **References Cited**
- U.S. PATENT DOCUMENTS
- D387,668 S * 12/1997 Bond D9/520
- D475,296 S * 6/2003 Lee D9/560

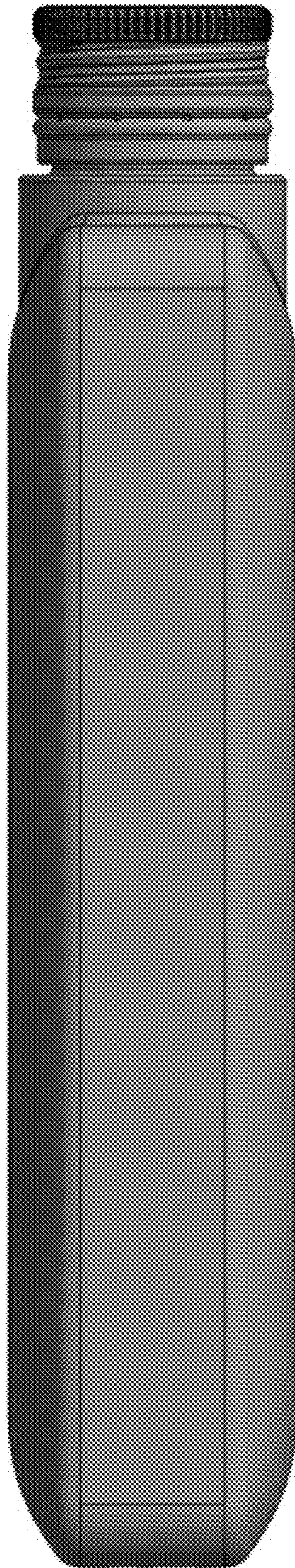
1 Claim, 7 Drawing Sheets



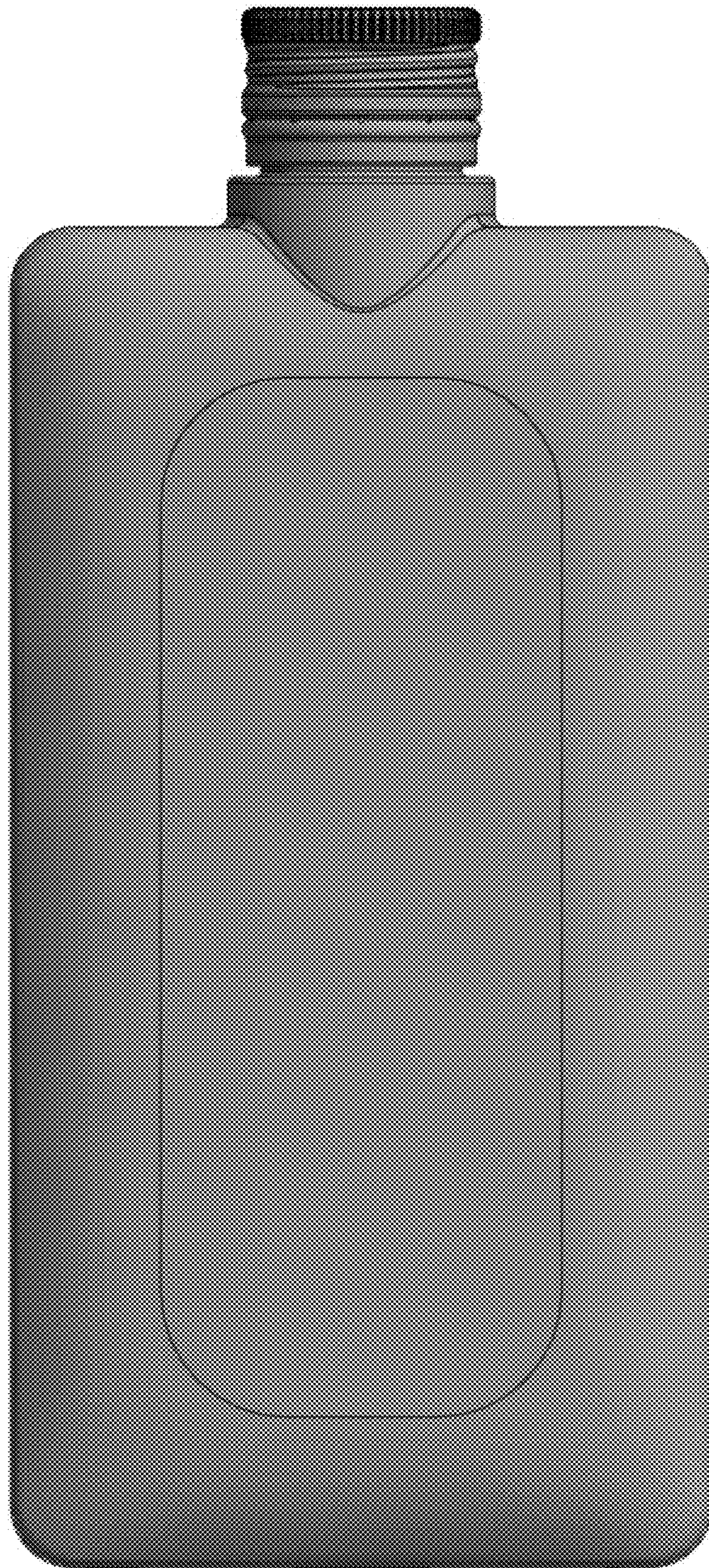
1.1



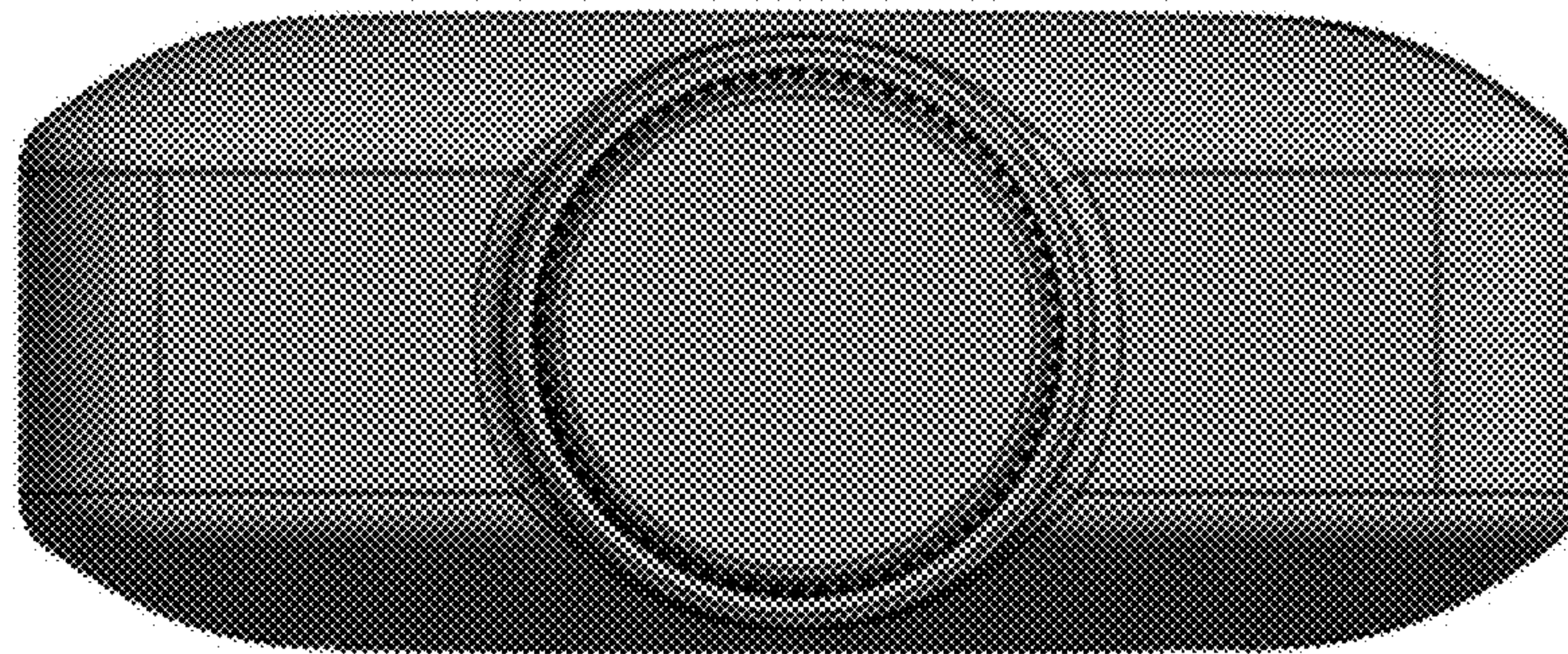
1.2



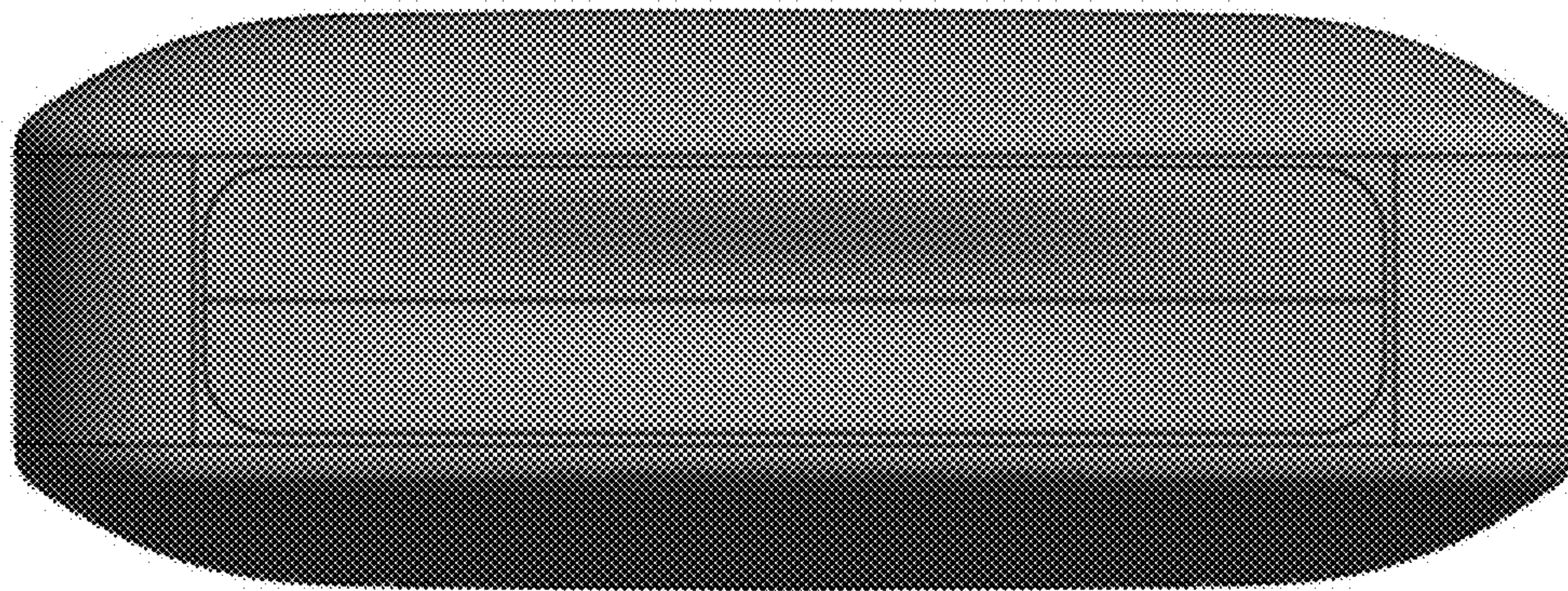
1.3



1.4



1.5



1.6



1.7



UNITED STATES PATENT AND TRADEMARK OFFICE
CERTIFICATE OF CORRECTION

PATENT NO. : D886,626 S
APPLICATION NO. : 35/506214
DATED : June 9, 2020
INVENTOR(S) : Andrew Fell, Ann Chen and Nicolas Johnson

Page 1 of 1

It is certified that error appears in the above-identified patent and that said Letters Patent is hereby corrected as shown below:

On the Title Page

In Column 1, please add item (30) as follows:

--(30) Foreign Application Priority Data

Dec. 14, 2017 (EM).....004548030

Dec. 12, 2017 (EM).....004543965--.

Signed and Sealed this
Eleventh Day of May, 2021



Drew Hirshfeld
*Performing the Functions and Duties of the
Under Secretary of Commerce for Intellectual Property and
Director of the United States Patent and Trademark Office*