



US00D886624S

(12) **United States Design Patent** (10) **Patent No.:** **US D886,624 S**
Eble (45) **Date of Patent:** **** Jun. 9, 2020**

(54) **CONTAINER**
(71) Applicant: **Pretium Packaging, L.L.C.**,
Chesterfield, MO (US)
(72) Inventor: **Raymond C. Eble**, Sugarloaf, PA (US)
(73) Assignee: **Pretium Packaging, L.L.C.**,
Chesterfield, MO (US)
(**) Term: **15 Years**

D619,012 S 7/2010 Eble
D639,172 S 6/2011 Dupuis et al.
D639,173 S 6/2011 Dupuis et al.
D653,119 S * 1/2012 Hunter D9/560
D655,181 S * 3/2012 Kraft D9/560
D655,182 S * 3/2012 Kraft D9/560
D663,215 S * 7/2012 Clay D9/552
D663,624 S 7/2012 Eble
D680,005 S 4/2013 Eble
D682,114 S 5/2013 Kraus et al.
8,602,237 B2 * 12/2013 Wurster B65D 79/005
215/373

(Continued)

(21) Appl. No.: **29/697,530**
(22) Filed: **Jul. 9, 2019**
(51) **LOC (12) Cl.** **09-01**
(52) **U.S. Cl.**
USPC **D9/563; D9/574**
(58) **Field of Classification Search**
USPC D9/516, 544, 546, 547, 559, 560, 563,
D9/572, 573, 574, 715, 719; D3/203.1
CPC B65D 2501/0081; B65D 1/0223; B65D
51/18
See application file for complete search history.

FOREIGN PATENT DOCUMENTS

CA 2552105 A1 1/2007
CA 136194 S 7/2011
CA 2774334 A1 10/2012

Primary Examiner — Shannon W Morgan
Assistant Examiner — Keith Frank
(74) *Attorney, Agent, or Firm* — Armstrong Teasdale LLP

(57) **CLAIM**

I claim the ornamental design for a container, as shown and described.

(56) **References Cited**

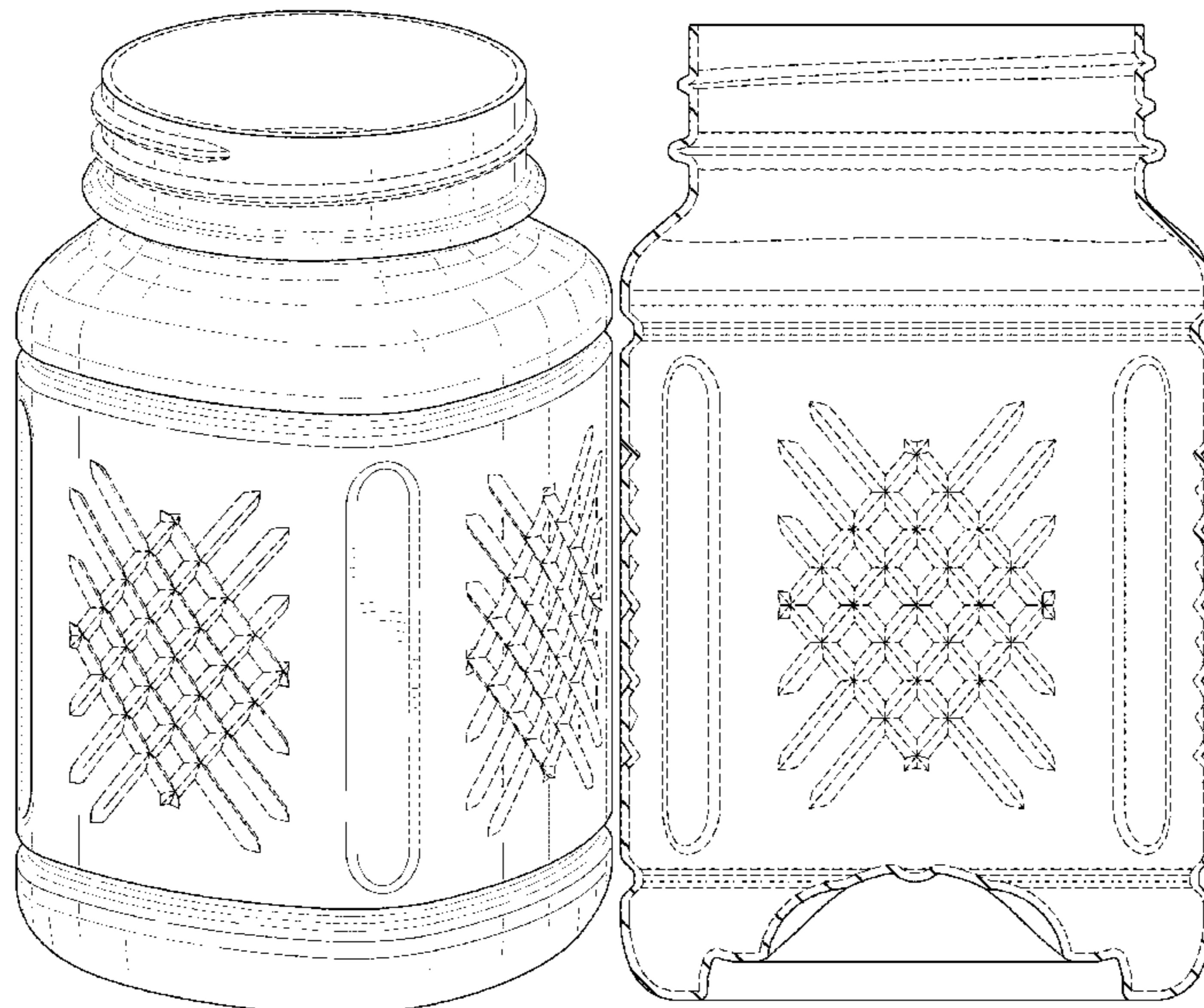
U.S. PATENT DOCUMENTS

D102,268 S 8/1936 Flannery
D264,435 S 5/1982 Pettengill
D282,050 S 1/1986 Beaver
D356,264 S 3/1995 Praturlon et al.
D487,564 S 3/2004 Beck
D518,725 S * 4/2006 Eble D9/502
D531,904 S 11/2006 Sillett et al.
D539,661 S 4/2007 Eble
D548,607 S * 8/2007 Langbein D9/454
D558,583 S * 1/2008 Langbein D9/560
D606,870 S 12/2009 Kaminski et al.
D607,743 S 1/2010 Eble
D608,211 S 1/2010 Eble
D612,249 S * 3/2010 Wurster D9/538
D612,266 S 3/2010 Kaminski et al.

DESCRIPTION

FIG. 1 is a perspective view of a container showing the new design.
FIG. 2 is a front view thereof.
FIG. 3 is a rear view thereof.
FIG. 4 is right side view thereof.
FIG. 5 is a left side view thereof.
FIG. 6 is a top view thereof.
FIG. 7 is a bottom view thereof; and,
FIG. 8 is a cross-sectional view thereof taken along line "8-8" of FIG. 7.
The broken lines in the drawings illustrate portions of the container that form no part of the claimed design.

1 Claim, 8 Drawing Sheets



(56)

References Cited

U.S. PATENT DOCUMENTS

D697,408	S	1/2014	Eble	
D701,769	S	4/2014	Eble	
D717,662	S	11/2014	Eble	
D719,456	S *	12/2014	Ivie	D9/560
D721,278	S	1/2015	Eble	
D721,588	S *	1/2015	Robling	D9/502
D722,883	S	2/2015	Eble	
D722,884	S	2/2015	Eble	
9,033,194	B1 *	5/2015	Grabowski	B65D 83/04 222/185.1
D734,159	S *	7/2015	Brisson	D9/560
D734,161	S	7/2015	Bolleaux	
D735,046	S *	7/2015	De Lorme	D9/560
D735,581	S	8/2015	Eble	
D739,757	S	9/2015	Newton	
9,193,495	B2	11/2015	Eble	
D760,591	S	7/2016	Groglopo Favetto et al.	
D764,922	S *	8/2016	Eble	D9/520
D767,998	S *	10/2016	Peacock	D9/538
D788,592	S *	6/2017	Shaver	D9/542
D791,606	S	7/2017	Cobb	
D794,468	S *	8/2017	Ivie	D9/520
D805,393	S	12/2017	Eble	
9,994,378	B2 *	6/2018	Wurster	B65D 1/0276
D846,992	S *	4/2019	Eble	D9/553
D855,473	S *	8/2019	Liu	D9/563
D864,726	S *	10/2019	Eble	D9/563

* cited by examiner

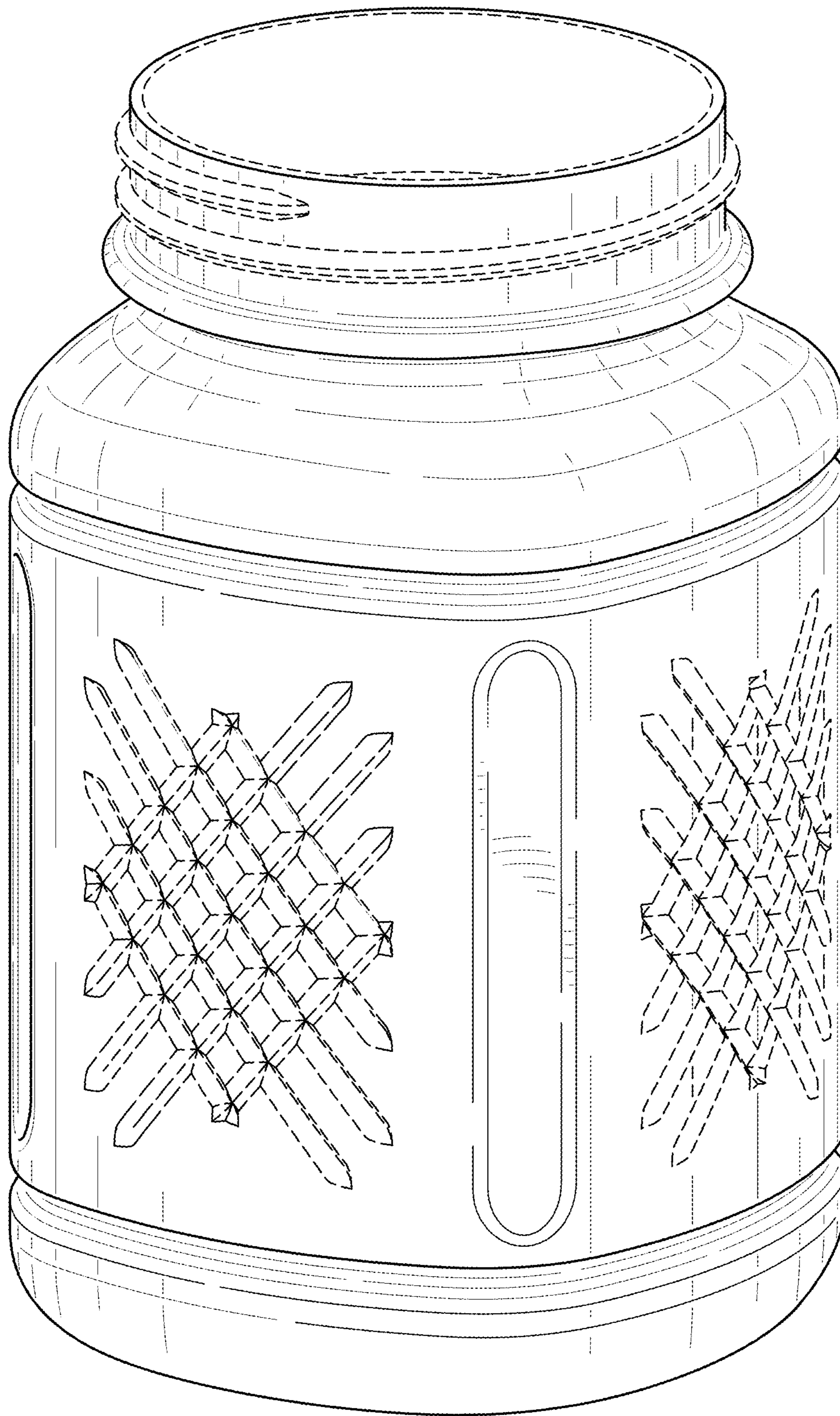


FIG. 1

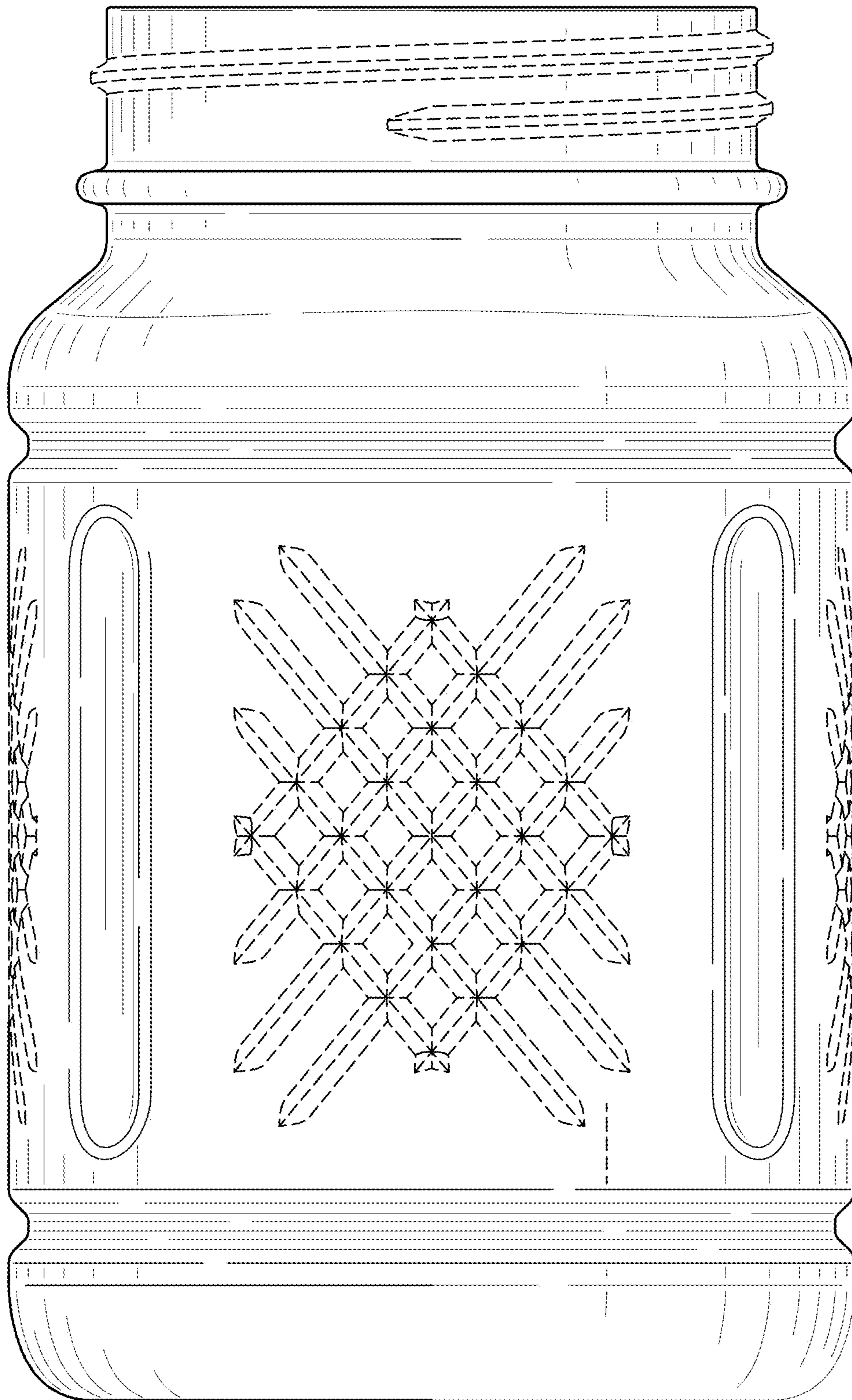


FIG. 2

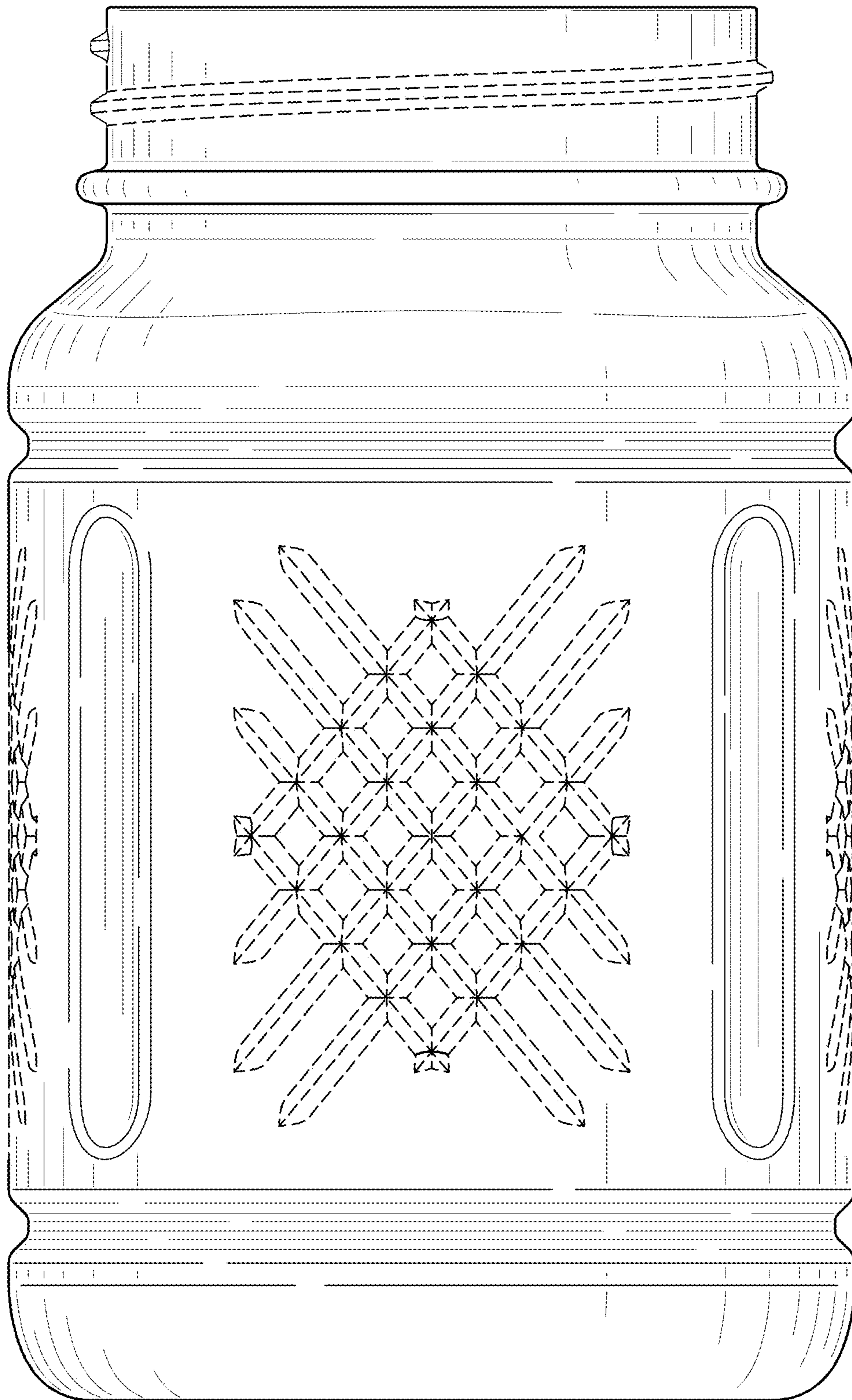


FIG. 3

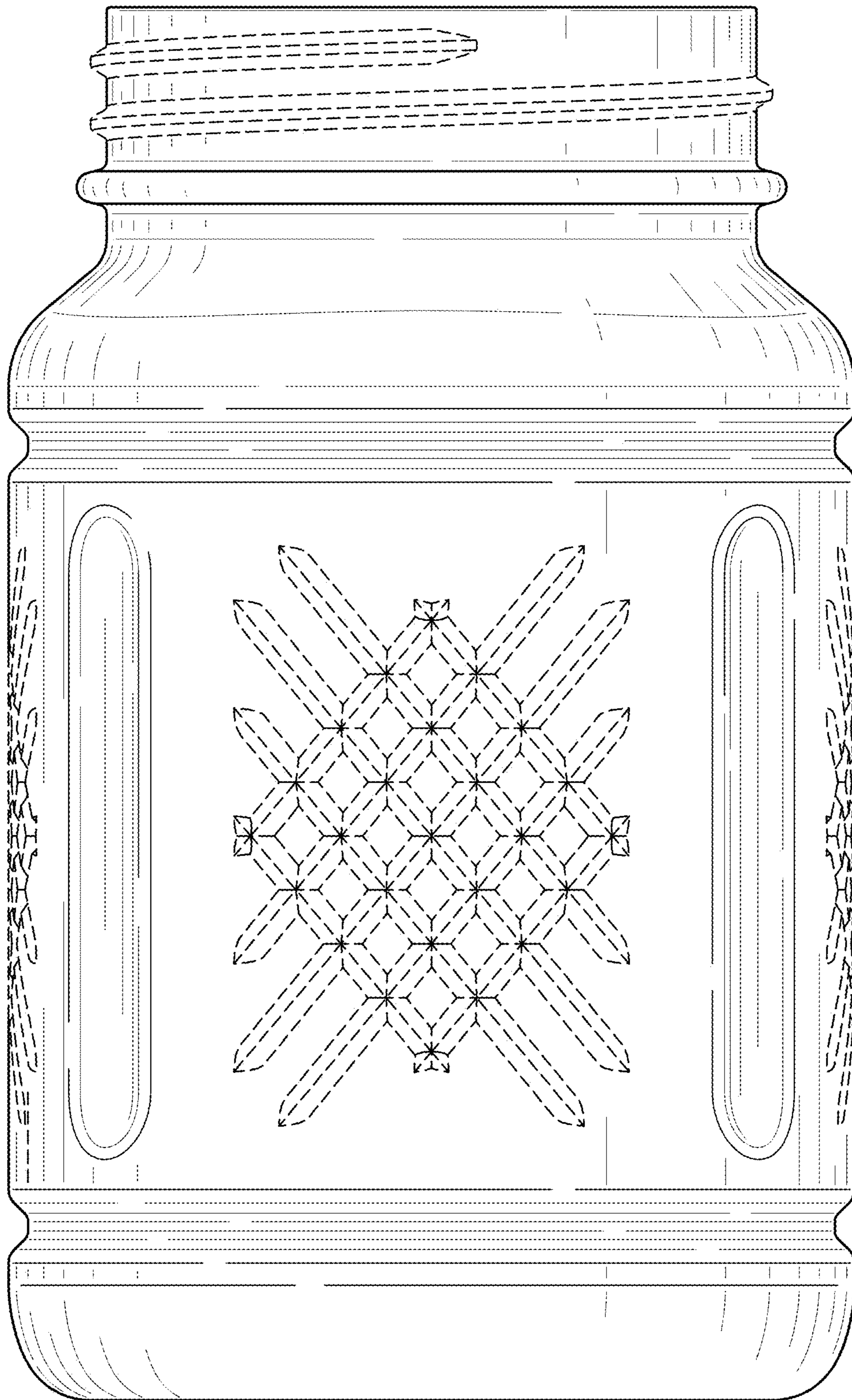


FIG. 4

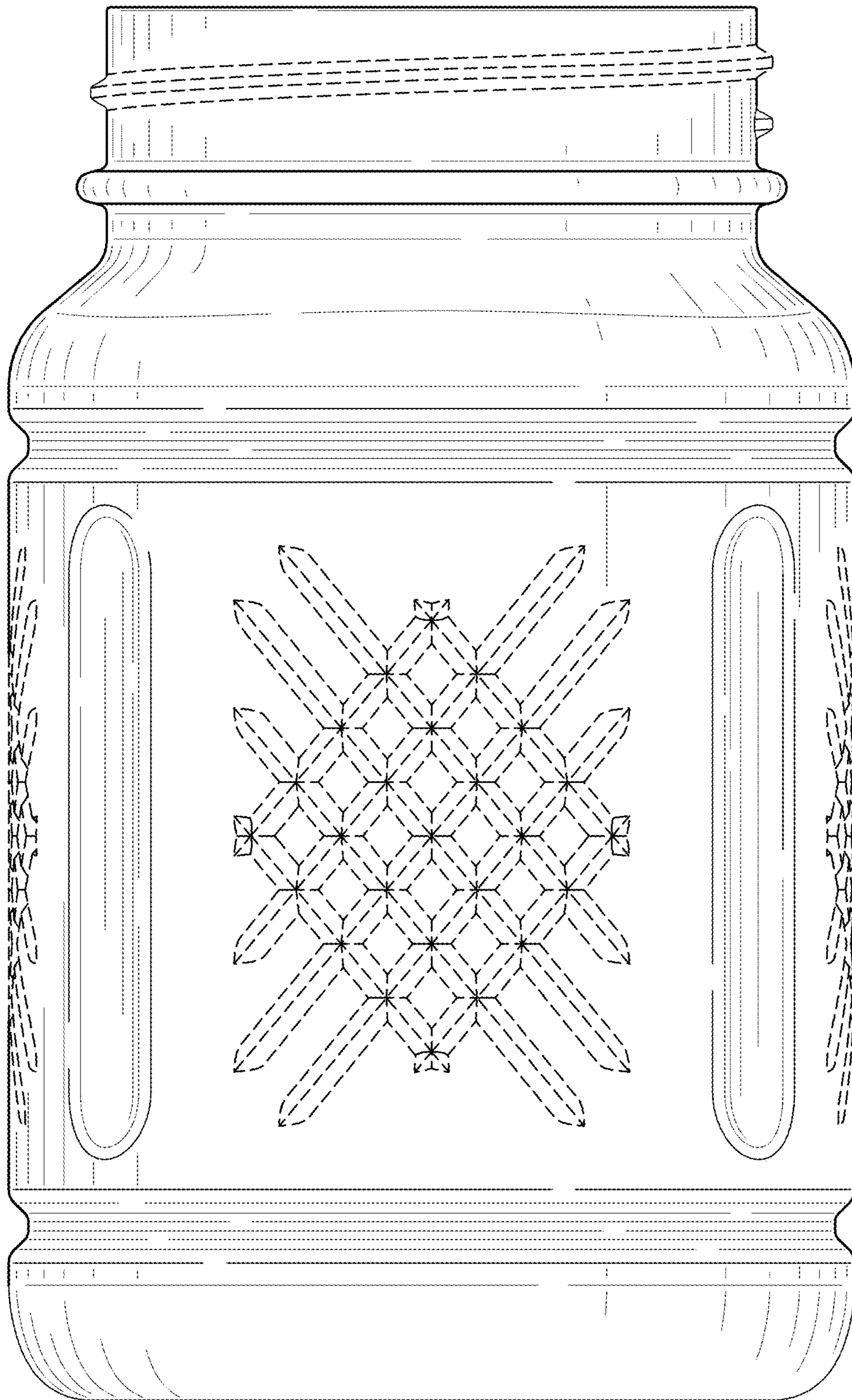


FIG. 5

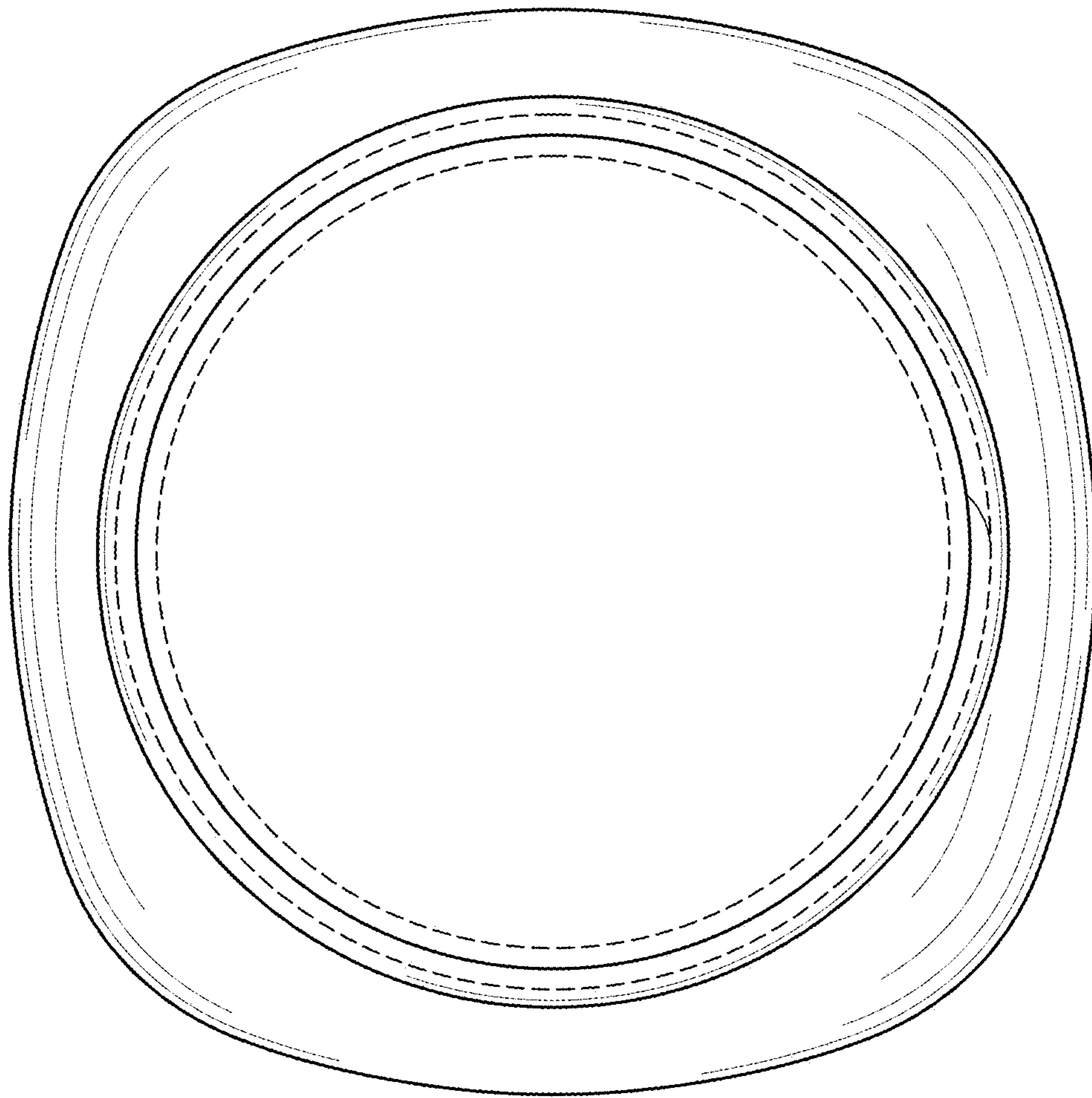


FIG. 6

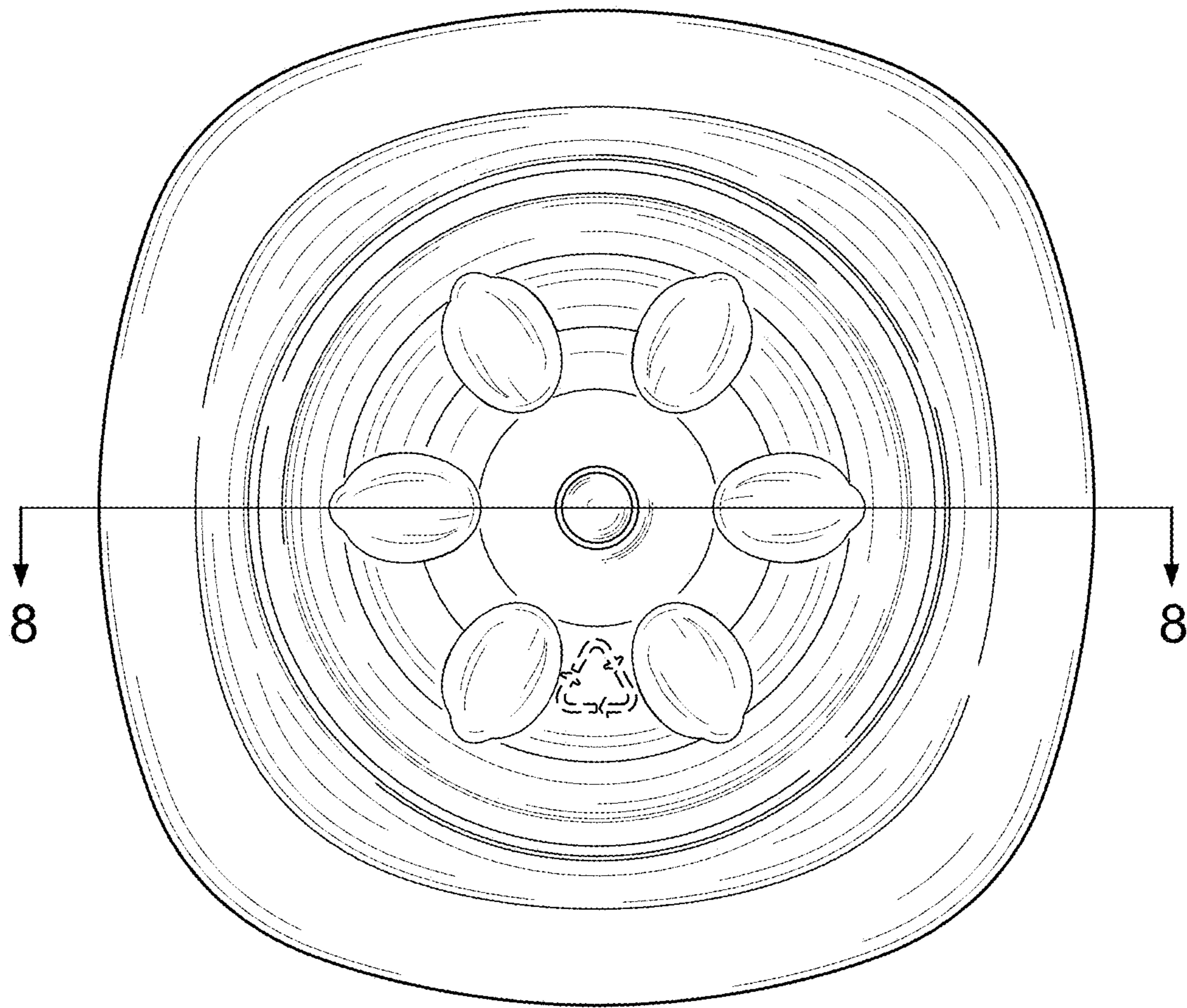


FIG. 7

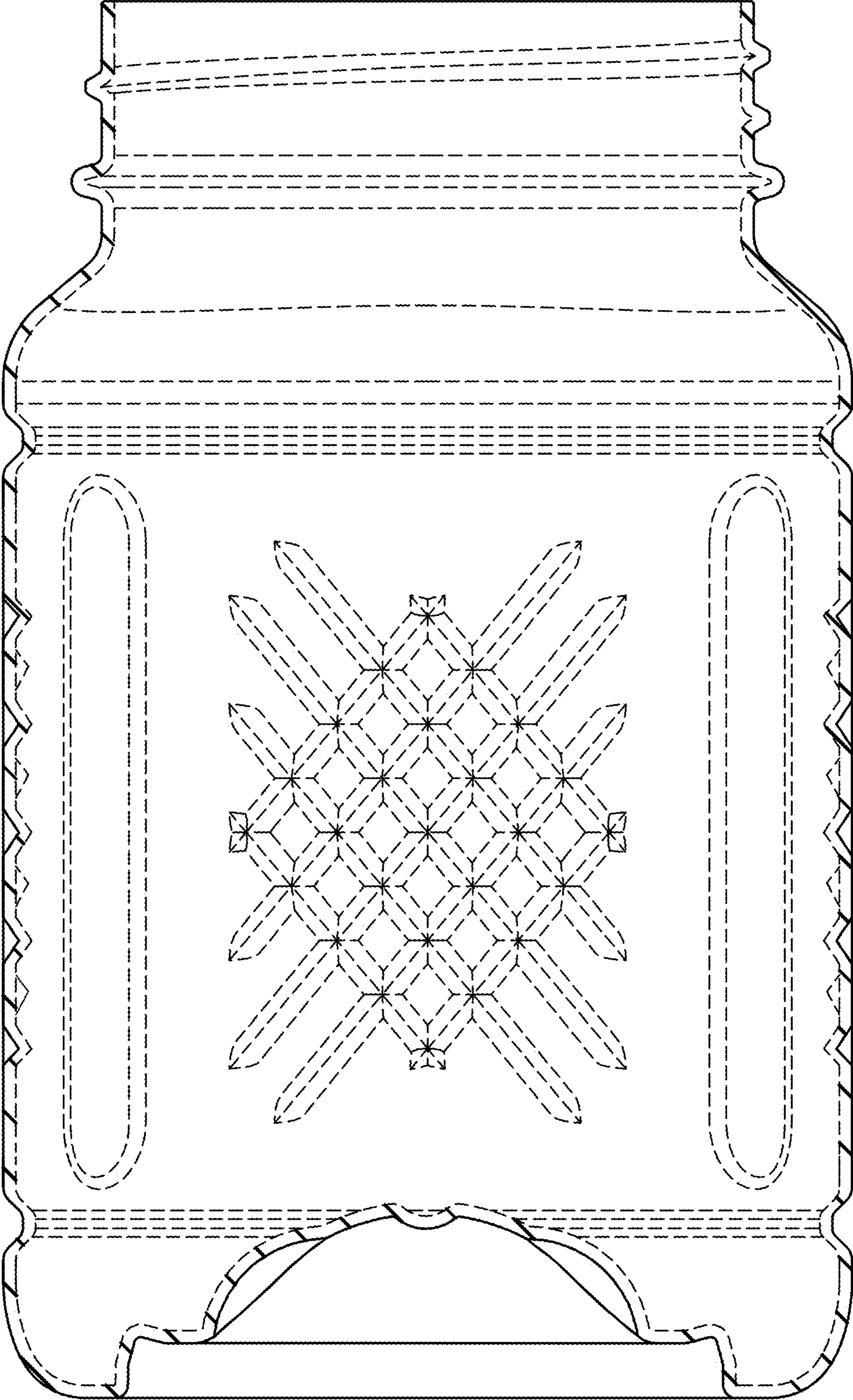


FIG. 8