



US00D886615S

(12) **United States Design Patent** (10) **Patent No.:** **US D886,615 S**
Van Skaik et al. (45) **Date of Patent:** **** Jun. 9, 2020**

(54) **BOTTLE**

(71) Applicant: **The Procter & Gamble Company**,
Cincinnati, OH (US)

(72) Inventors: **Elliott Michael Van Skaik**, Liberty
Township, OH (US); **Luis Peraza**, New
Albany, OH (US)

(73) Assignee: **The Procter & Gamble Company**,
Cincinnati, OH (US)

(**) Term: **15 Years**

(21) Appl. No.: **29/720,389**

(22) Filed: **Jan. 13, 2020**

(51) **LOC (12) Cl.** **09-01**

(52) **U.S. Cl.**
USPC **D9/516; D9/571**

(58) **Field of Classification Search**
USPC D9/434, 516, 530, 542, 549, 558,
D9/562-563, 566, 571, 574, 715, 719
(Continued)

(56) **References Cited**

U.S. PATENT DOCUMENTS

D249,866 S * 10/1978 Felix D9/571
D282,443 S * 2/1986 Beaver D9/563
(Continued)

FOREIGN PATENT DOCUMENTS

KR 20090118716 A 11/2009

OTHER PUBLICATIONS

U.S. Appl. No. 29/720,354, filed Jan. 13, 2020, Van Skaik et al.
(Continued)

Primary Examiner — Dana Meyrow

(74) *Attorney, Agent, or Firm* — Amanda Herman
Berghauer

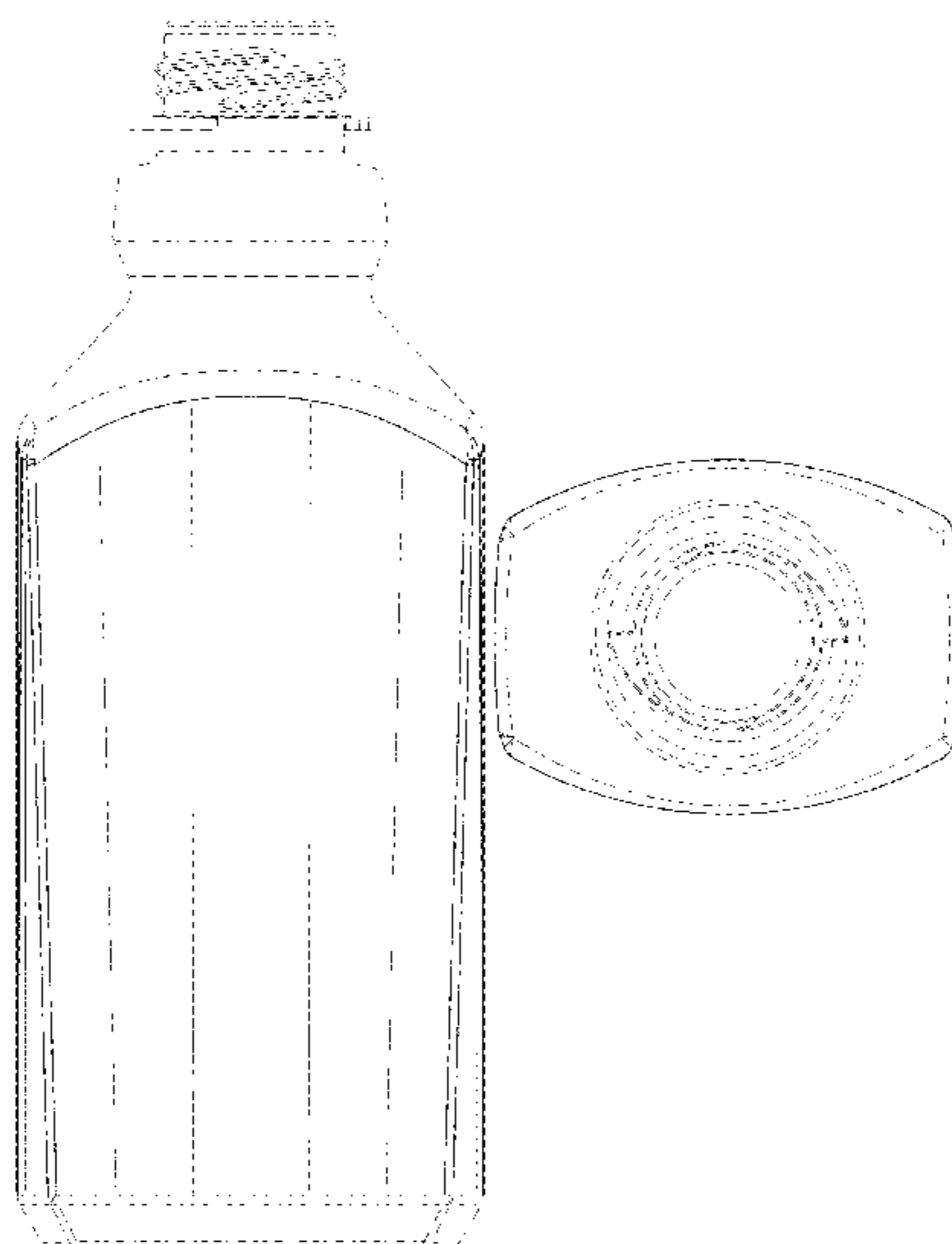
(57) **CLAIM**

The ornamental design for a bottle, as shown and described.

DESCRIPTION

FIG. 1 is a perspective view of a first embodiment of a bottle;
FIG. 2 is a front view thereof;
FIG. 3 is a right side view thereof;
FIG. 4 is a rear view thereof;
FIG. 5 is a left side view thereof;
FIG. 6 is a top view thereof;
FIG. 7 is a bottom view thereof;
FIG. 8 is a perspective view of a second embodiment of a bottle;
FIG. 9 is a front view thereof;
FIG. 10 is a right side view thereof;
FIG. 11 is a rear view thereof;
FIG. 12 is a left side view thereof;
FIG. 13 is a top view thereof;
FIG. 14 is a bottom view thereof;
FIG. 15 is a perspective view of a third embodiment of a bottle;
FIG. 16 is a front view thereof;
FIG. 17 is a right side view thereof;
FIG. 18 is a rear view thereof;
FIG. 19 is a left side view thereof;
FIG. 20 is a top view thereof;
FIG. 21 is a bottom view thereof;
FIG. 22 is a perspective view of a fourth embodiment of a bottle;
FIG. 23 is a front view thereof;
FIG. 24 is a right side view thereof;
FIG. 25 is a rear view thereof;
FIG. 26 is a left side view thereof;
FIG. 27 is a top view thereof; and,
FIG. 28 is a bottom view thereof.
The broken lines in the drawings illustrate the portions of the bottle that form no part of the claimed design.

1 Claim, 12 Drawing Sheets



(58) **Field of Classification Search**

CPC B65D 1/00; B65D 1/02; B65D 1/0223;
B65D 23/00; B65D 51/32; B65D
2501/00; B65D 2501/0009; B65D
2501/0081

See application file for complete search history.

(56) **References Cited**

U.S. PATENT DOCUMENTS

D325,699	S	*	4/1992	Segati	D9/529
D338,159	S	*	8/1993	Densky	D9/453
D591,159	S	*	4/2009	Pagliari	D9/529
D770,902	S	*	11/2016	Vaughn-Batiz	D9/560

OTHER PUBLICATIONS

U.S. Appl. No. 29/720,396, filed Jan. 13, 2020, Van Skaik et al.

U.S. Appl. No. 29/720,397, filed Jan. 13, 2020, Van Skaik et al.

U.S. Appl. No. 62/960,170, filed Jan. 13, 2020, Van Skaik et al.

* cited by examiner

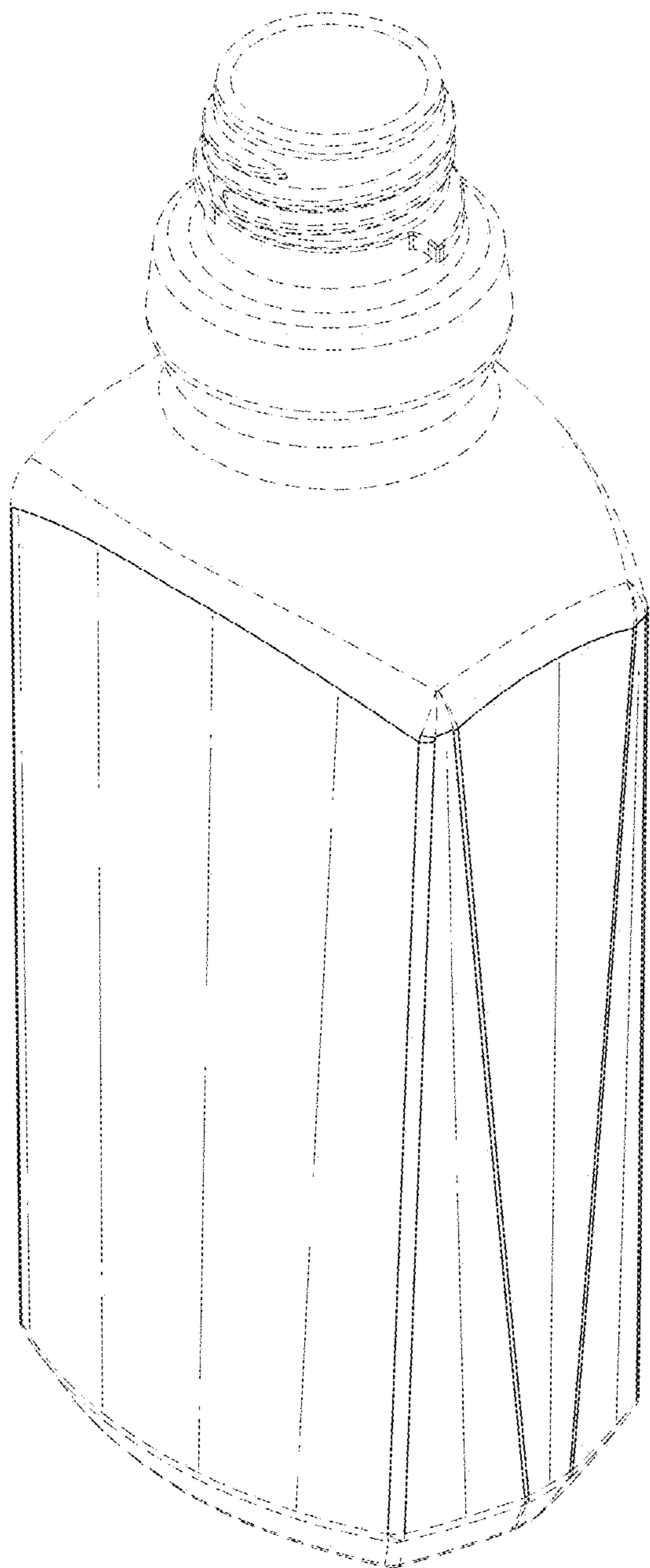


FIG. 1

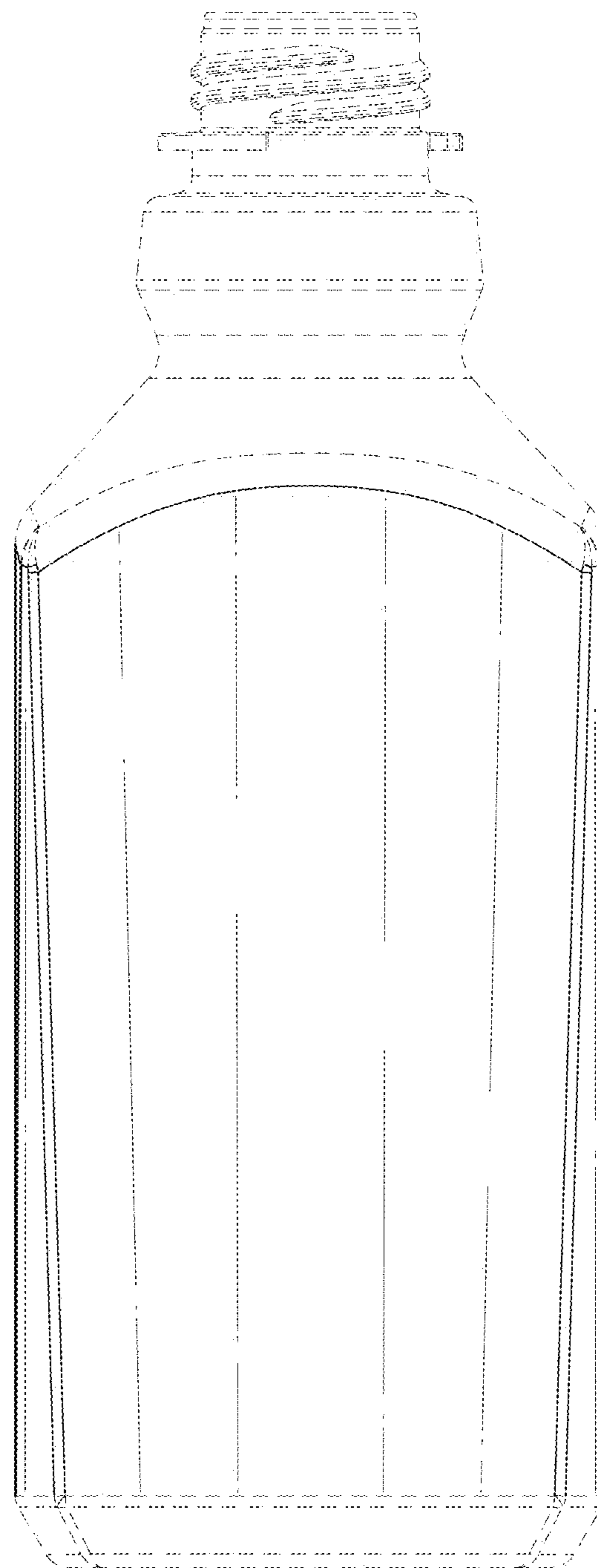


FIG. 2

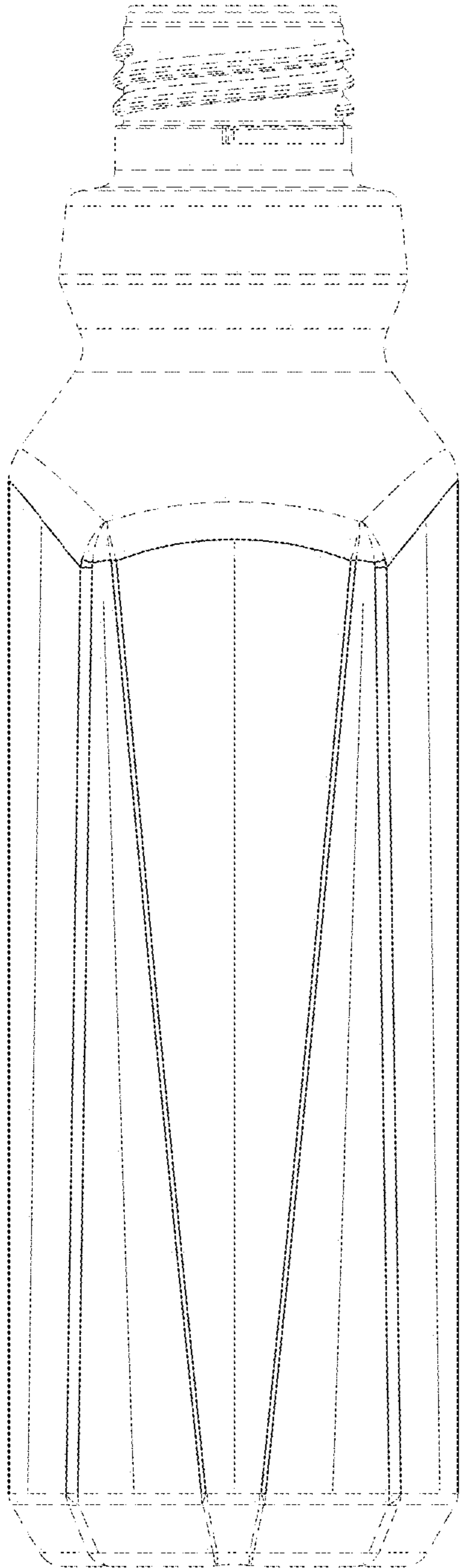


FIG. 3

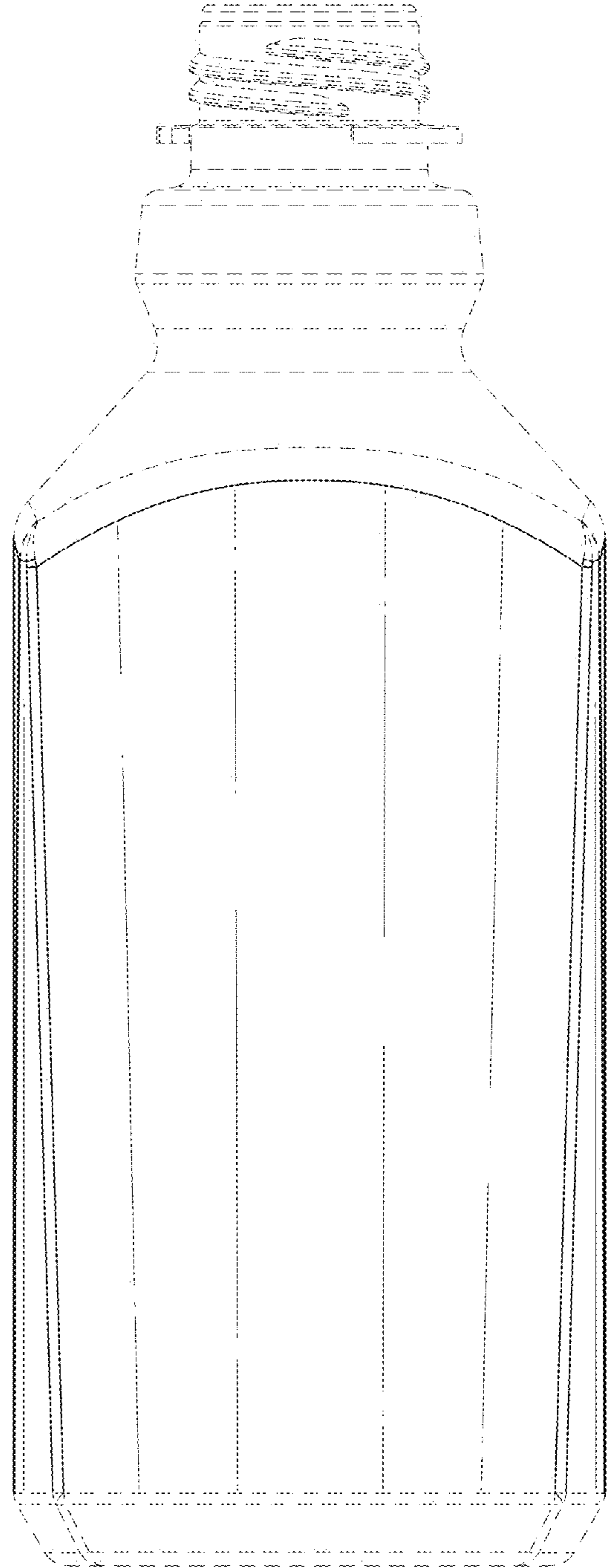


FIG. 4

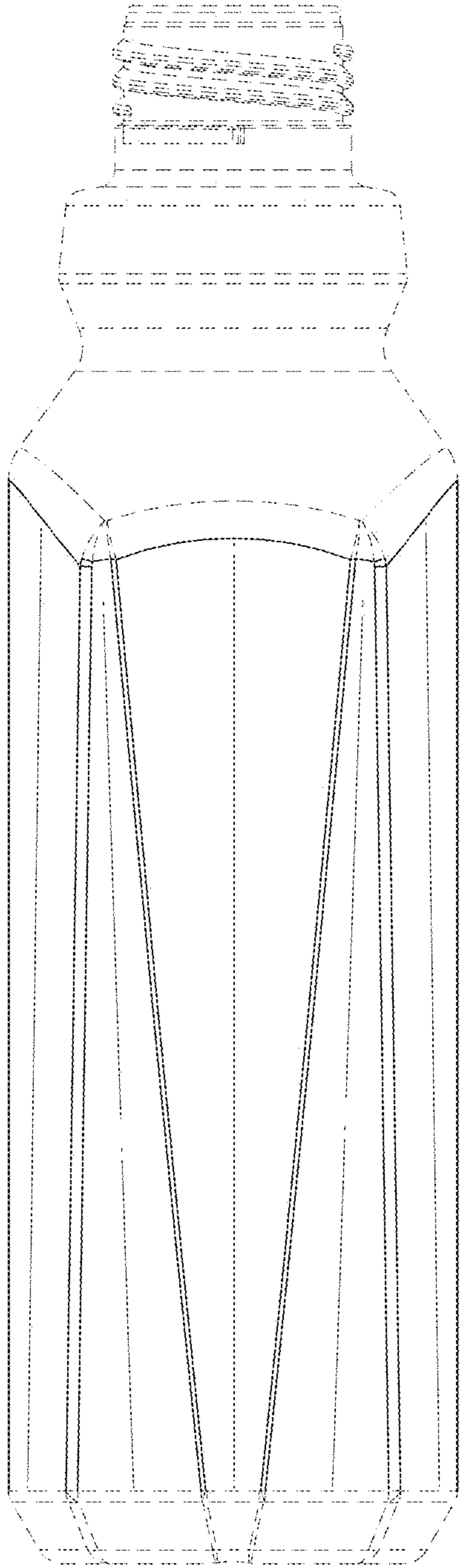


FIG. 5

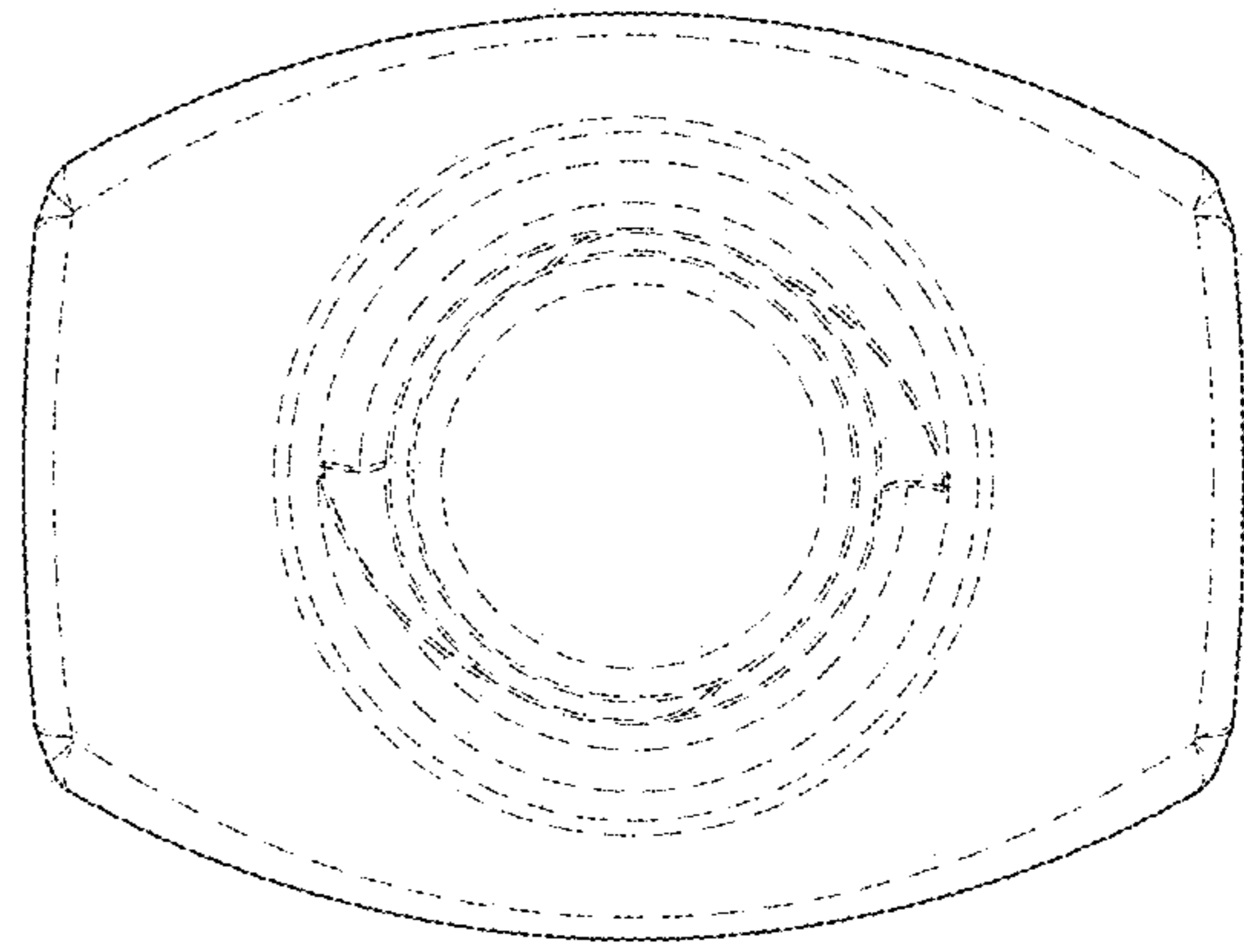


FIG. 6

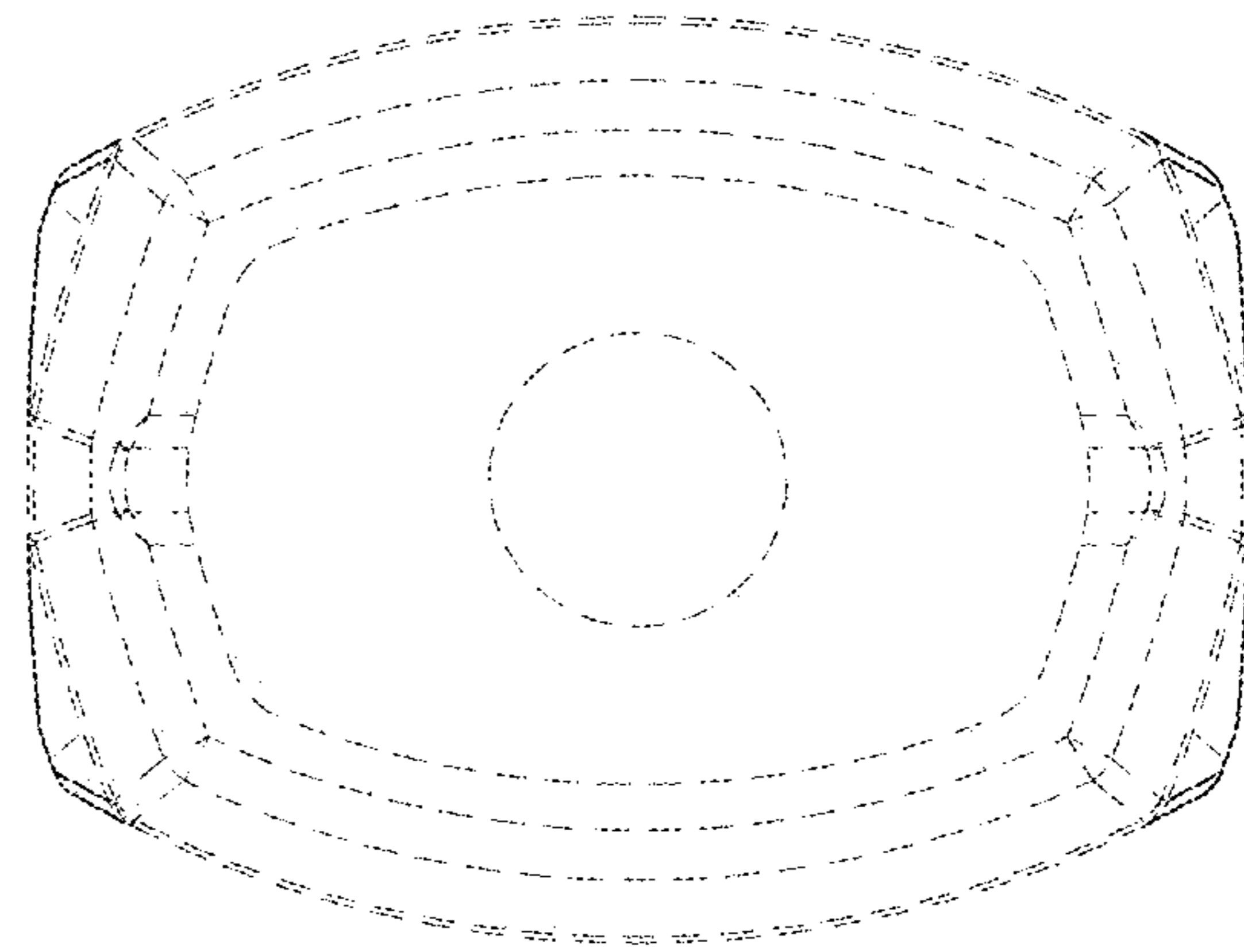


FIG. 7

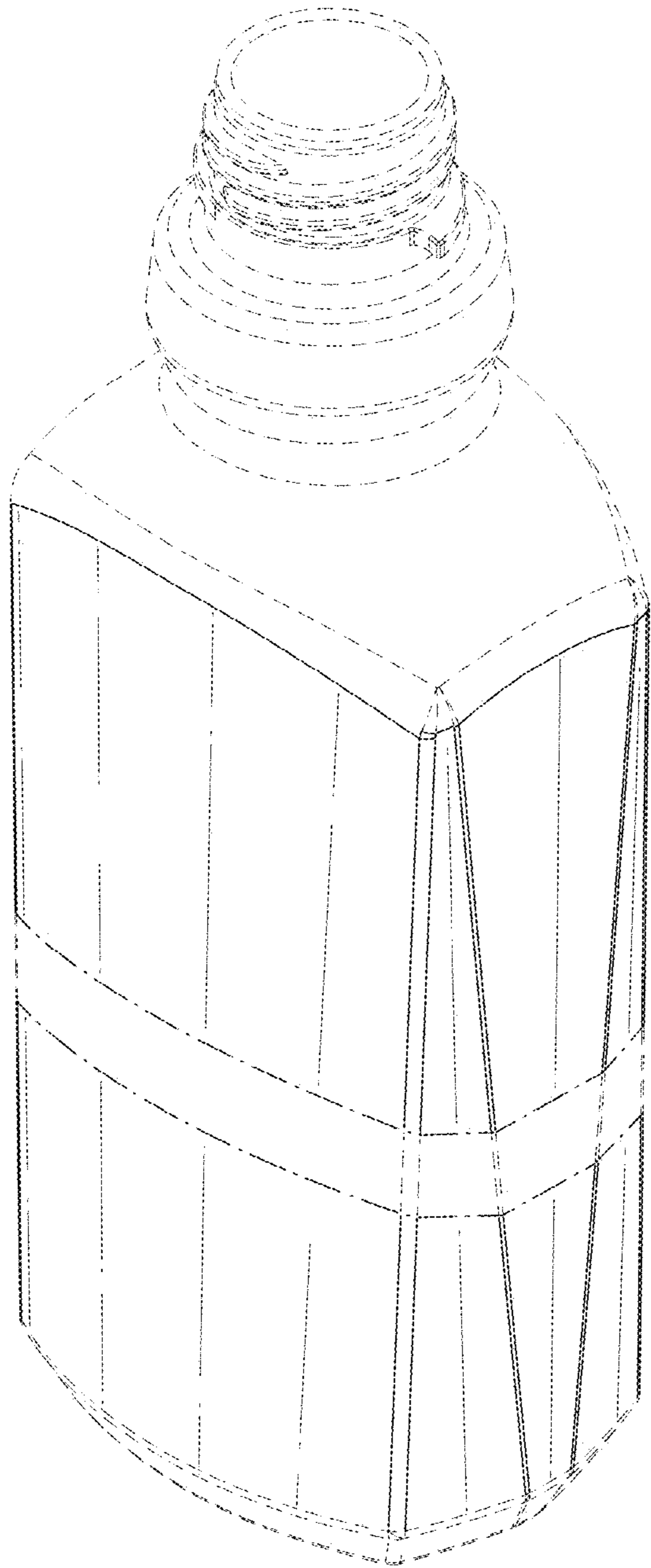


FIG. 8

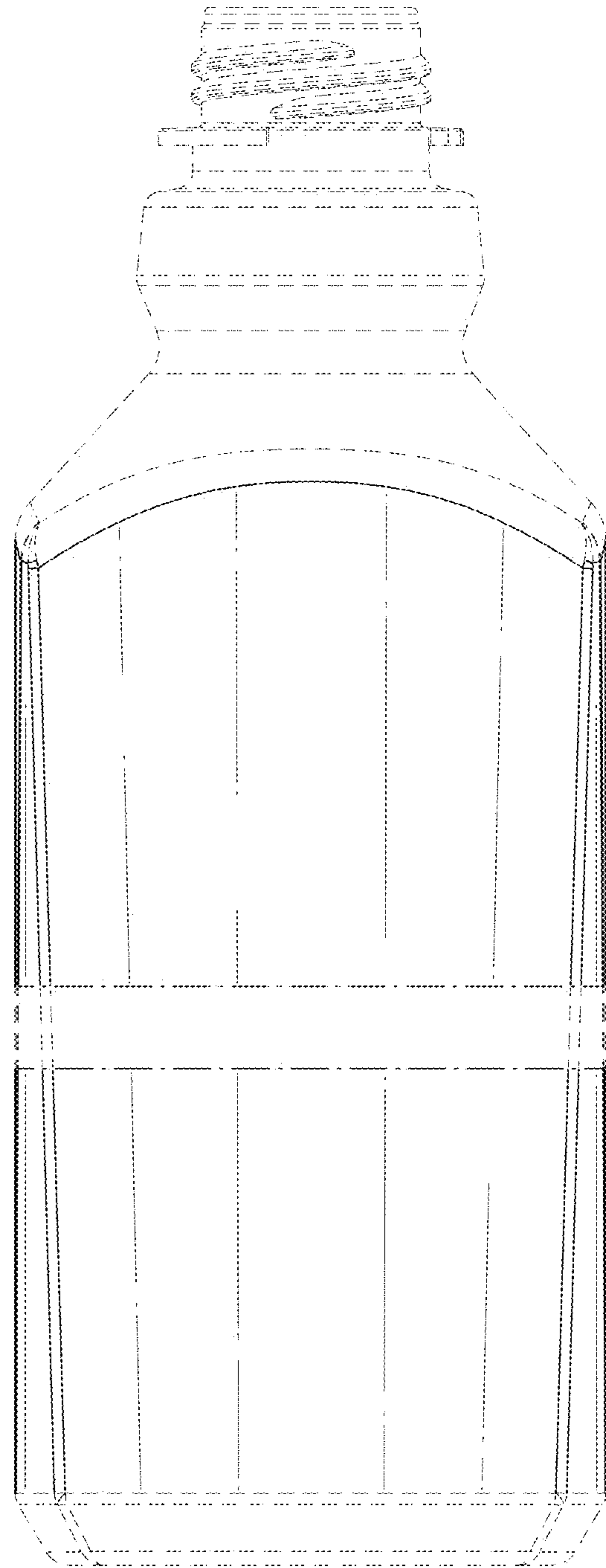


FIG. 9

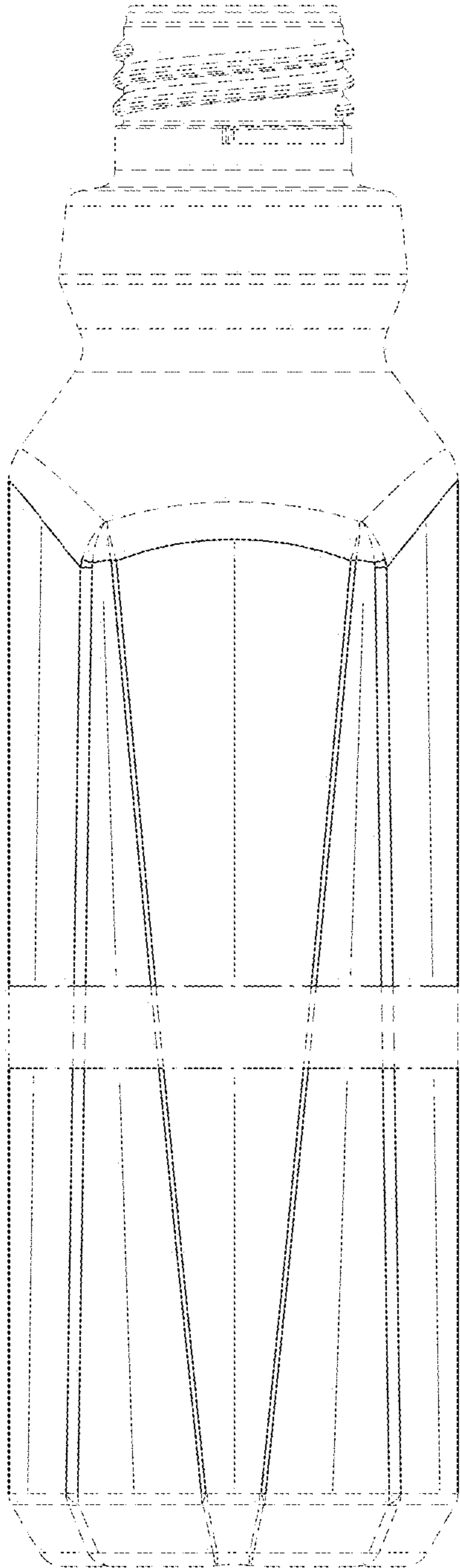


FIG. 10

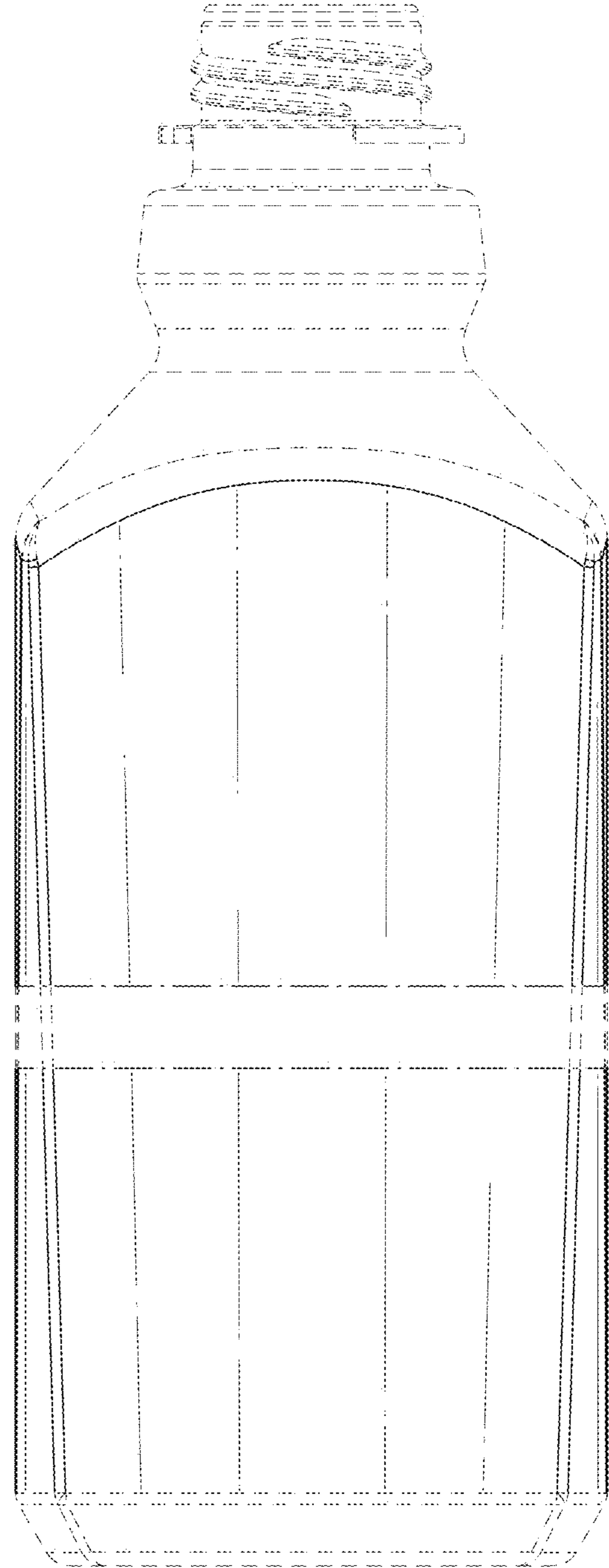


FIG. 11

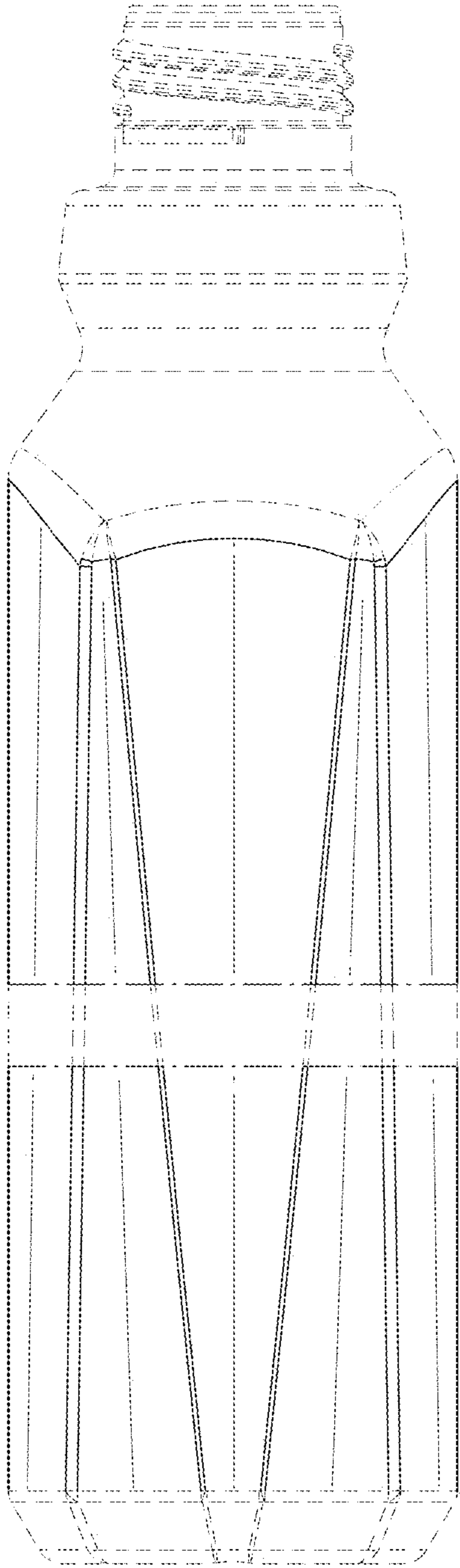


FIG. 12

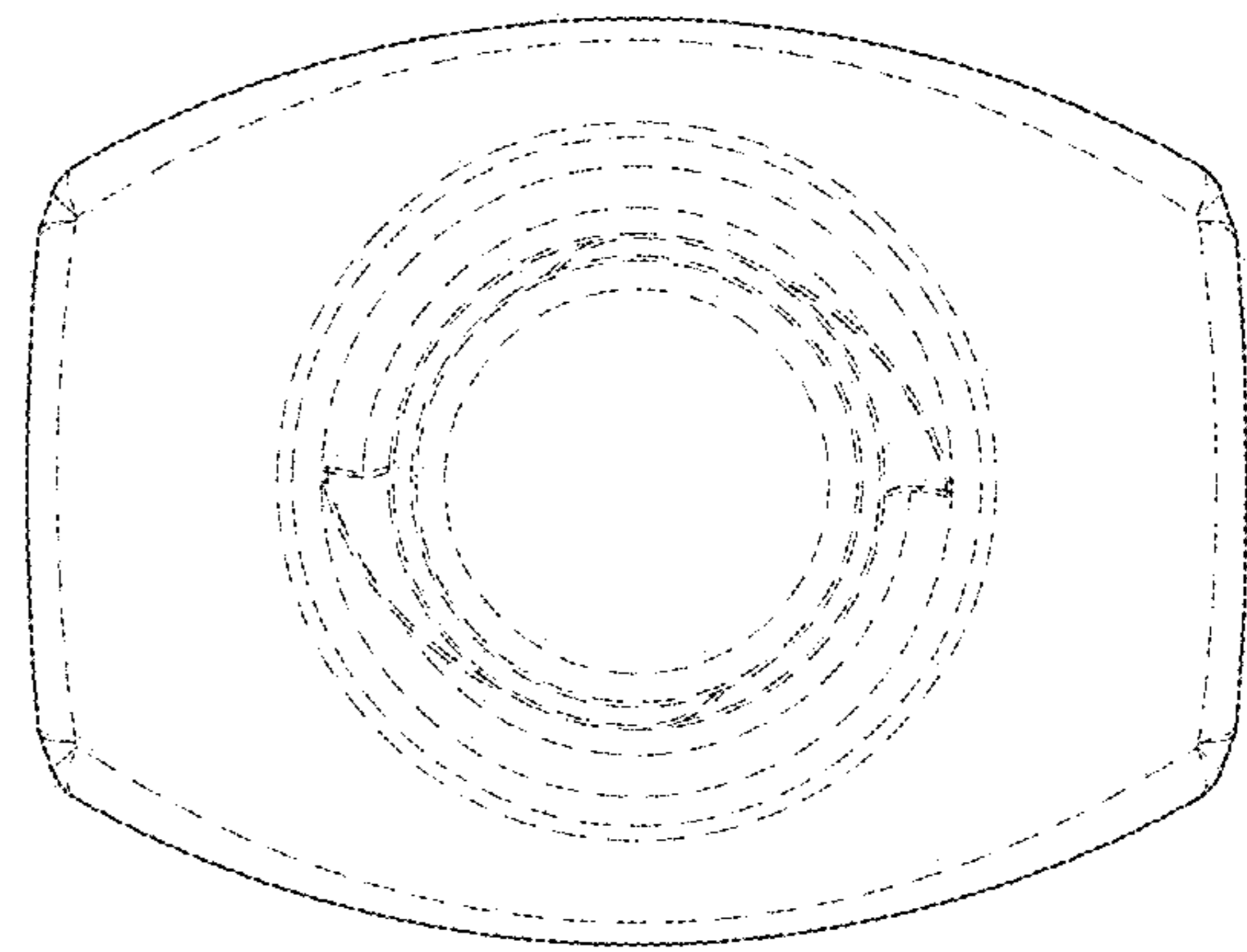


FIG. 13

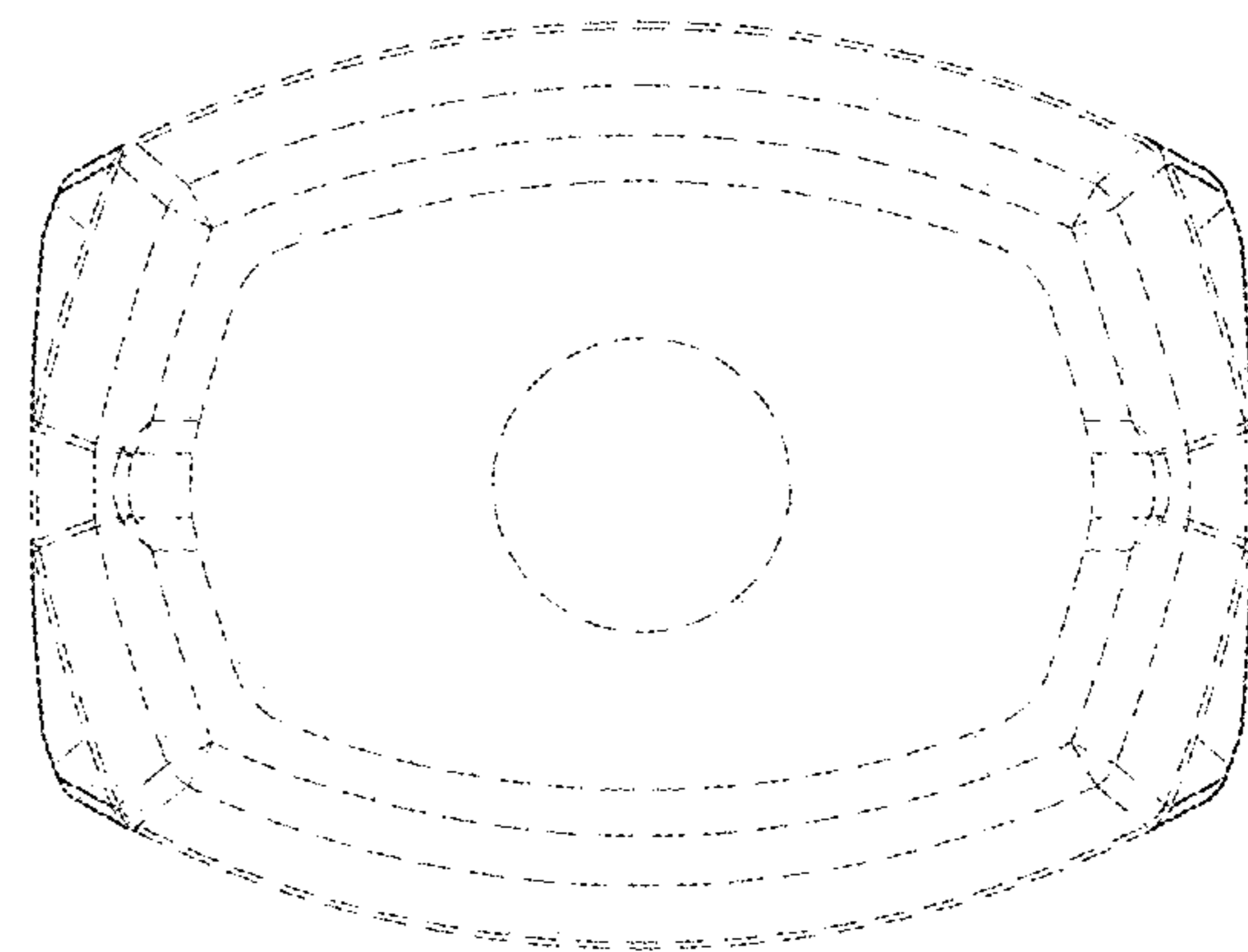


FIG. 14

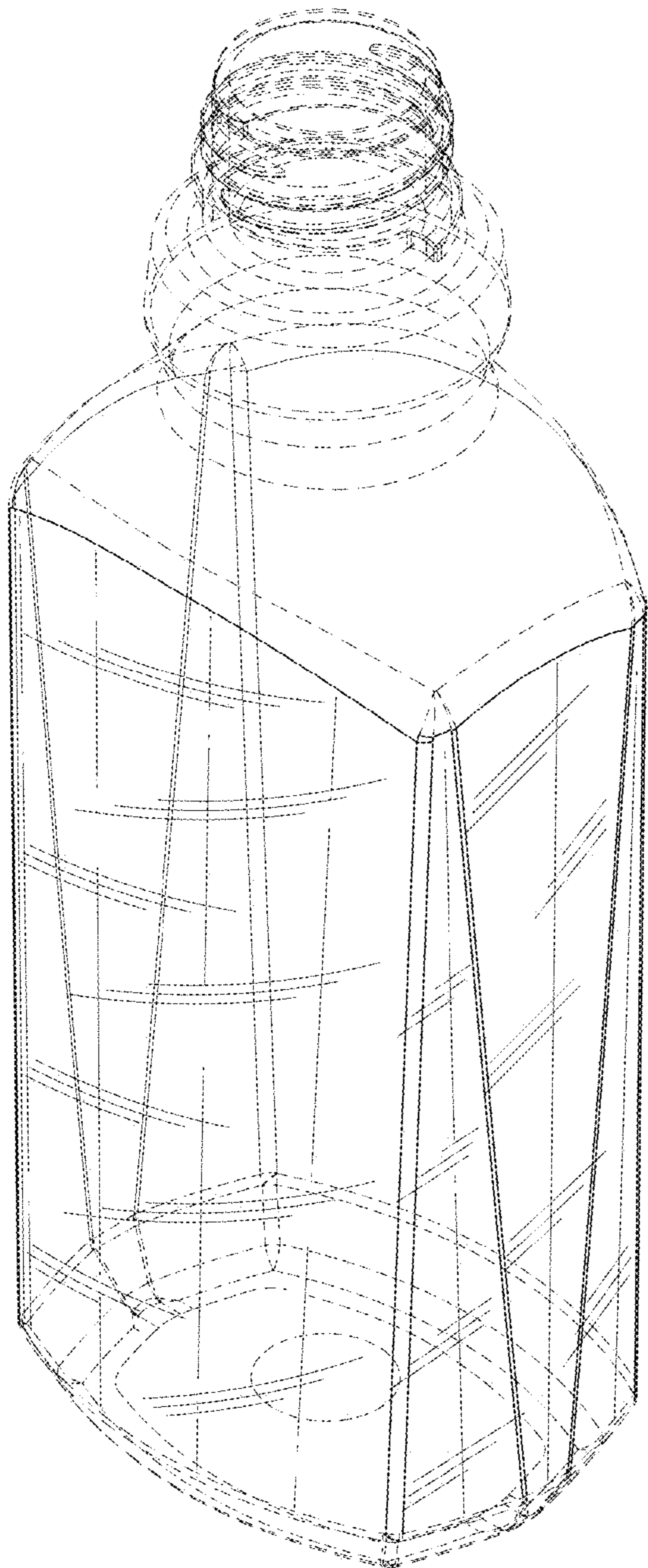


FIG. 15

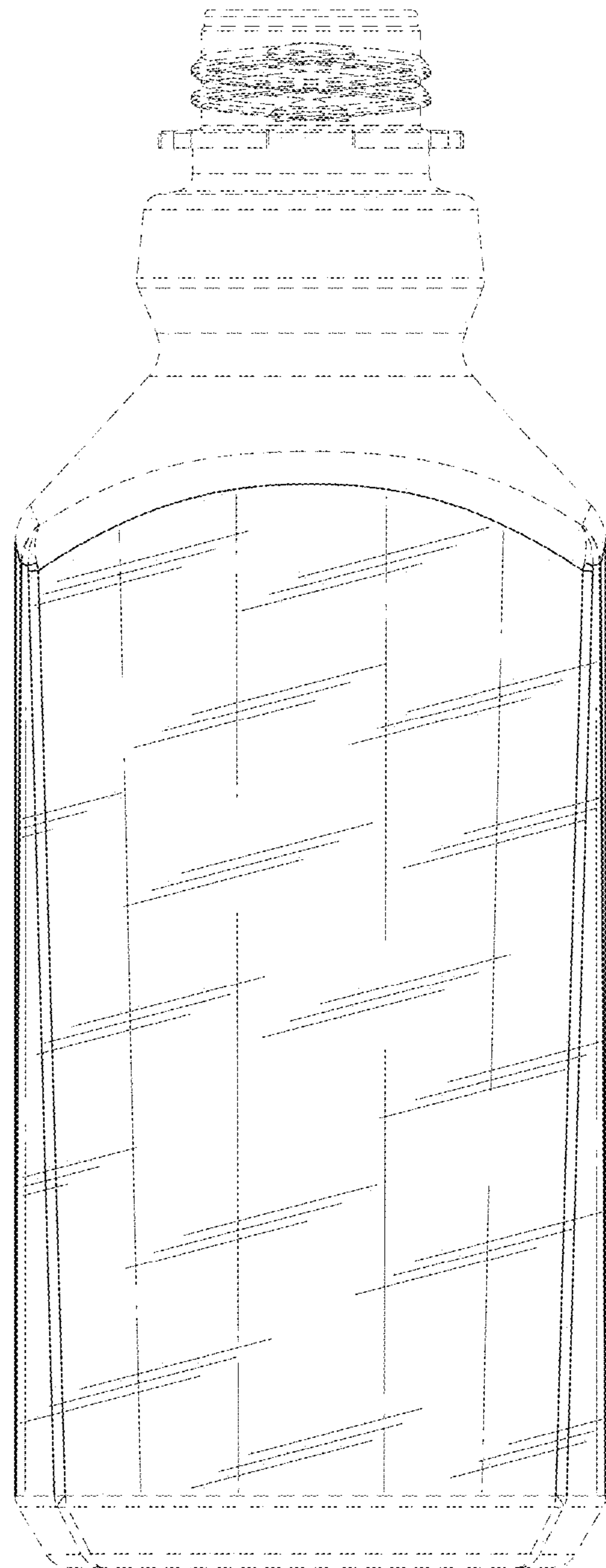


FIG. 16

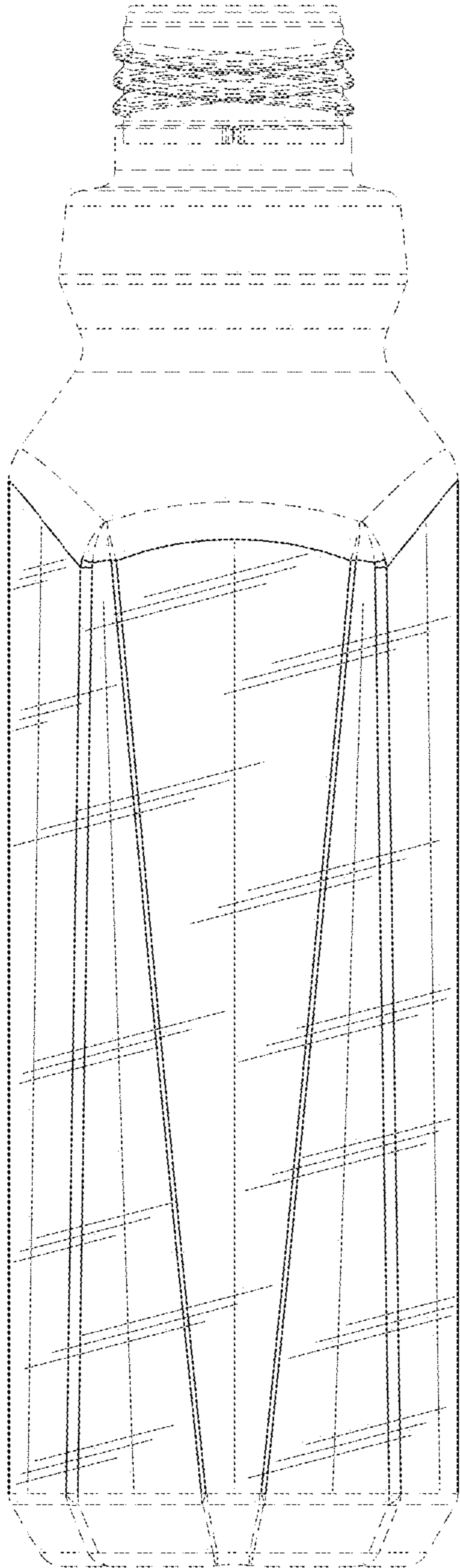


FIG. 17

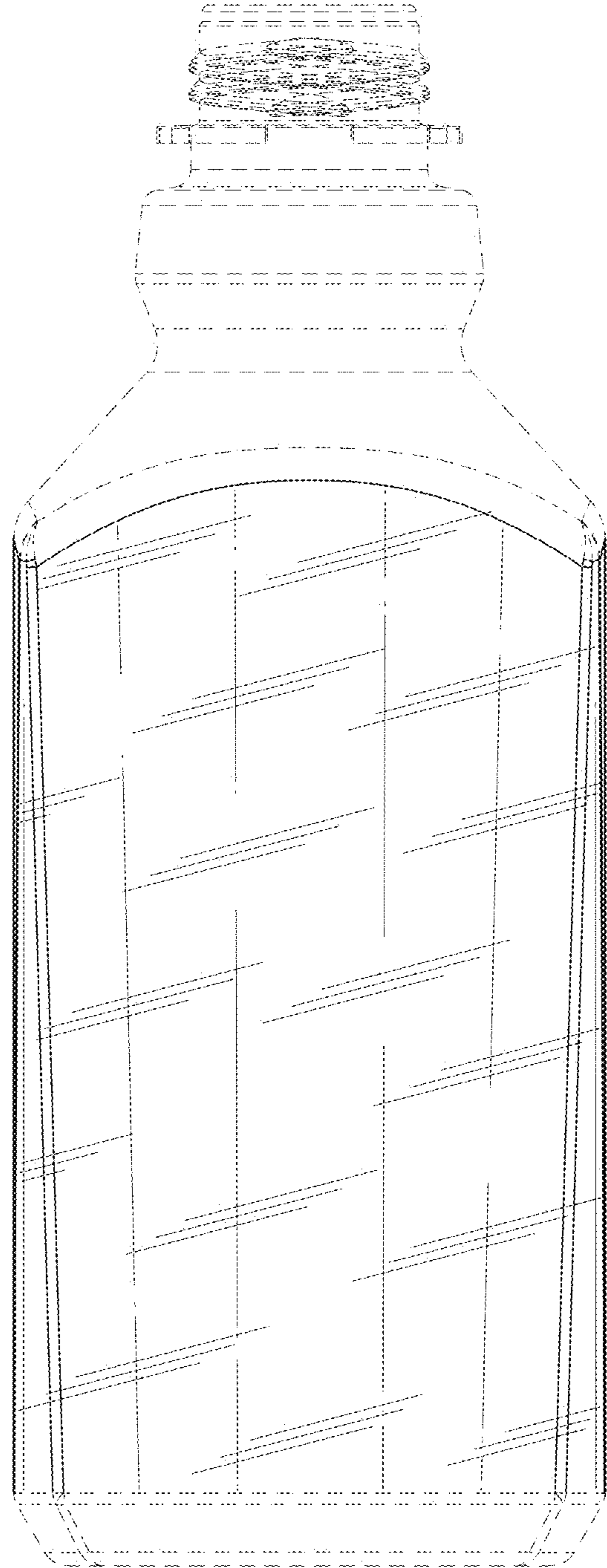


FIG. 18

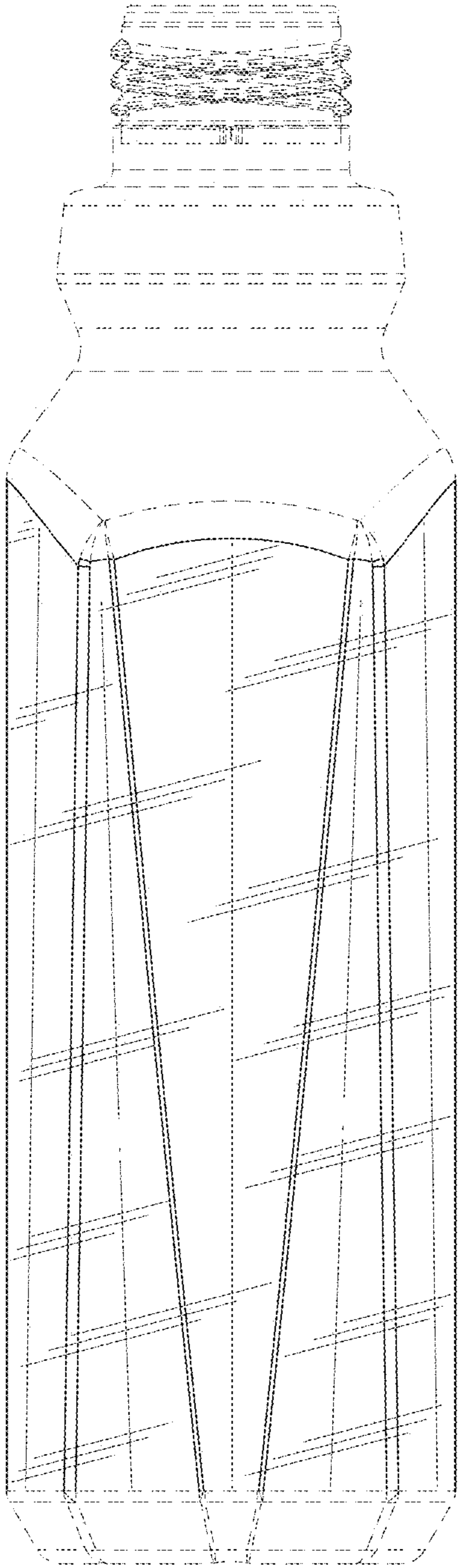


FIG. 19

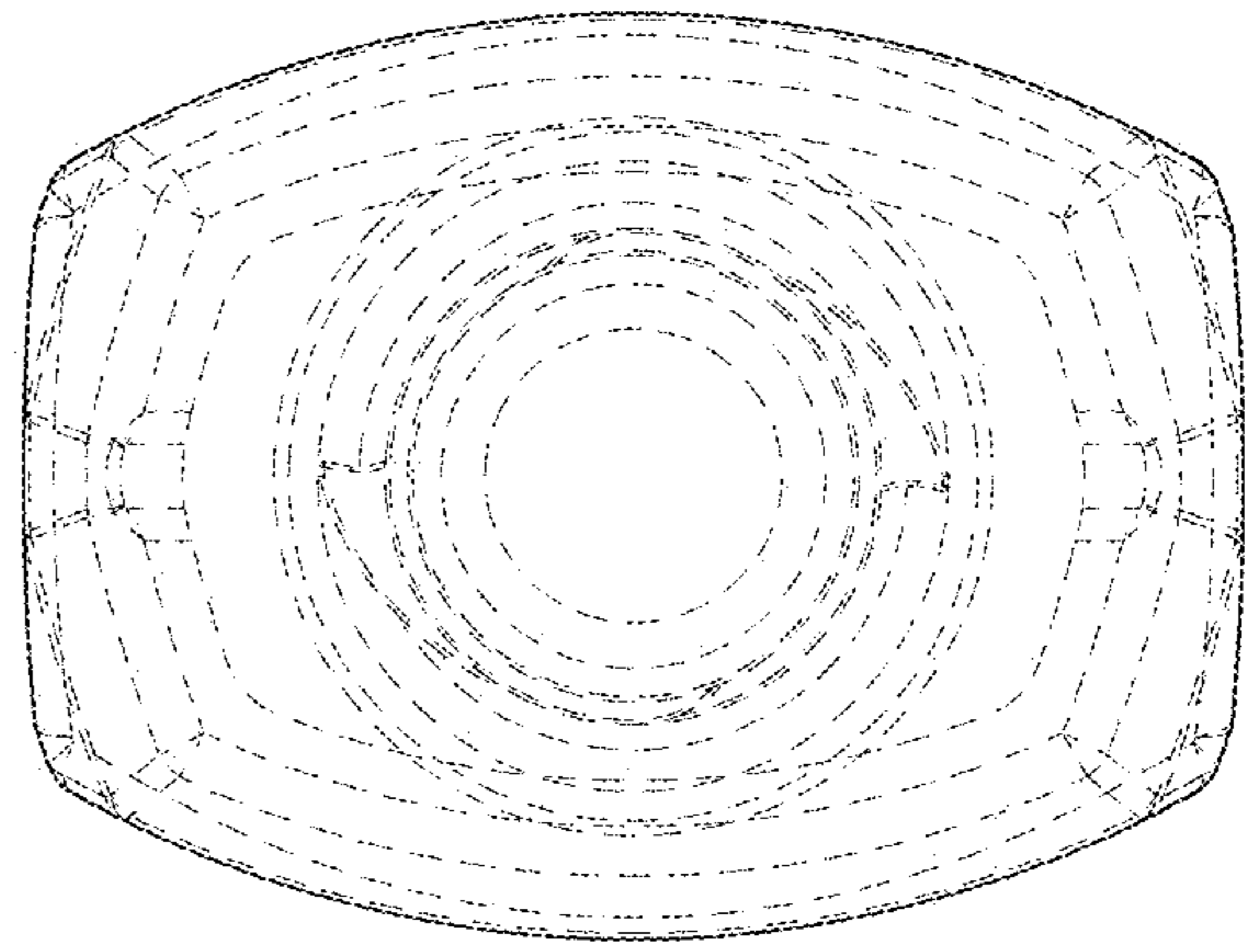


FIG. 20

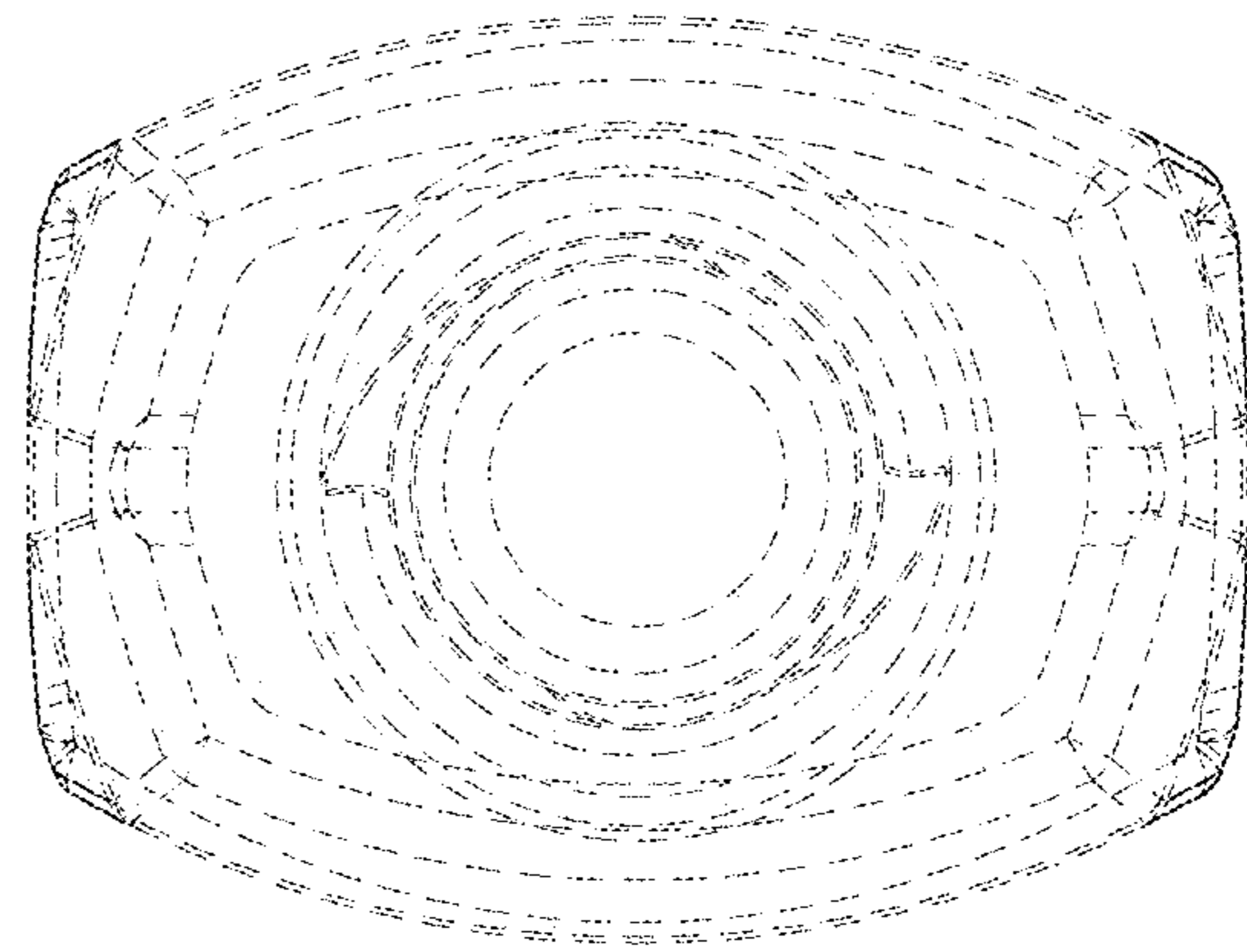


FIG. 21

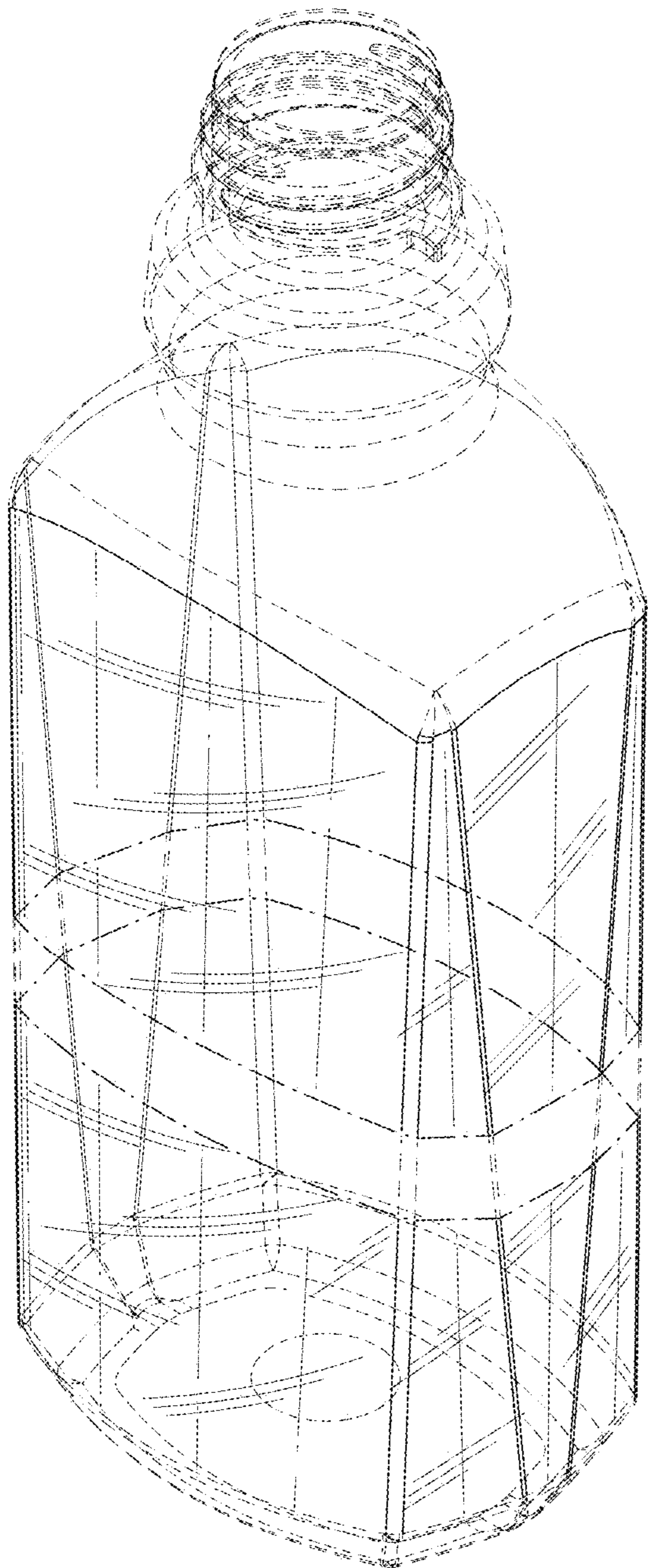


FIG. 22

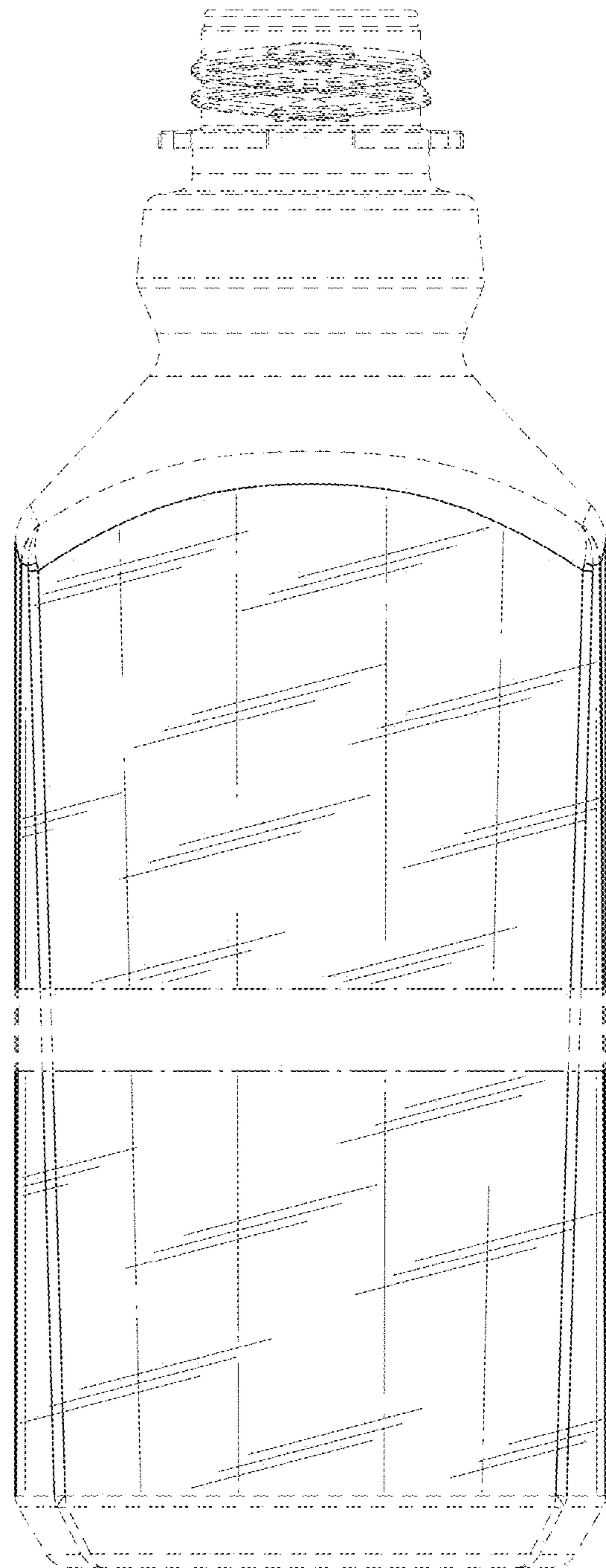


FIG. 23

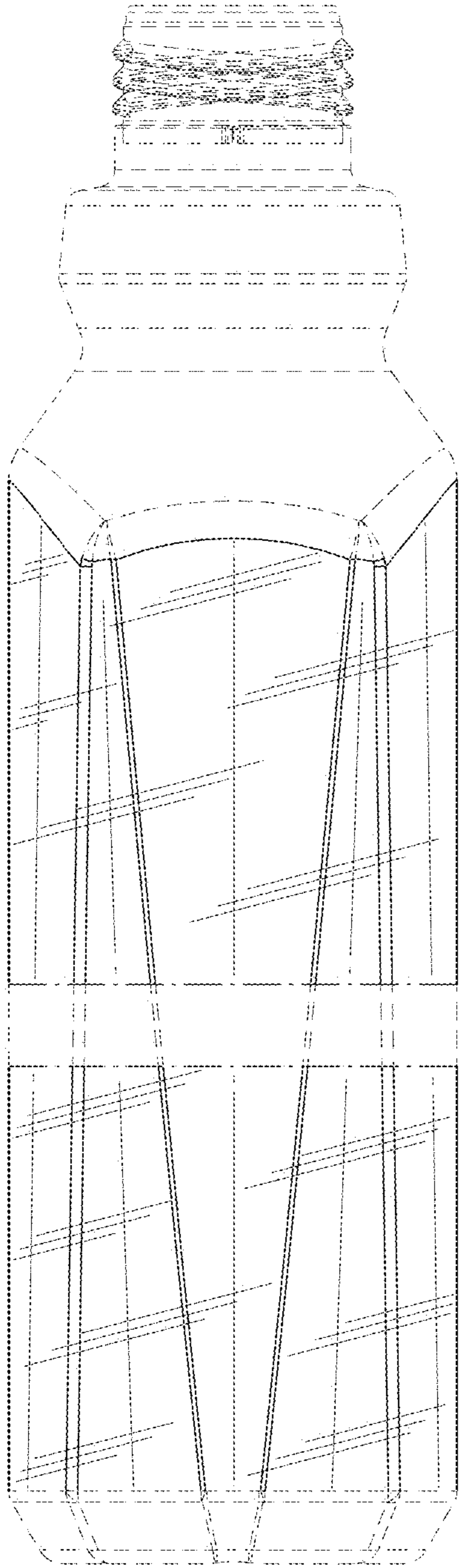


FIG. 24

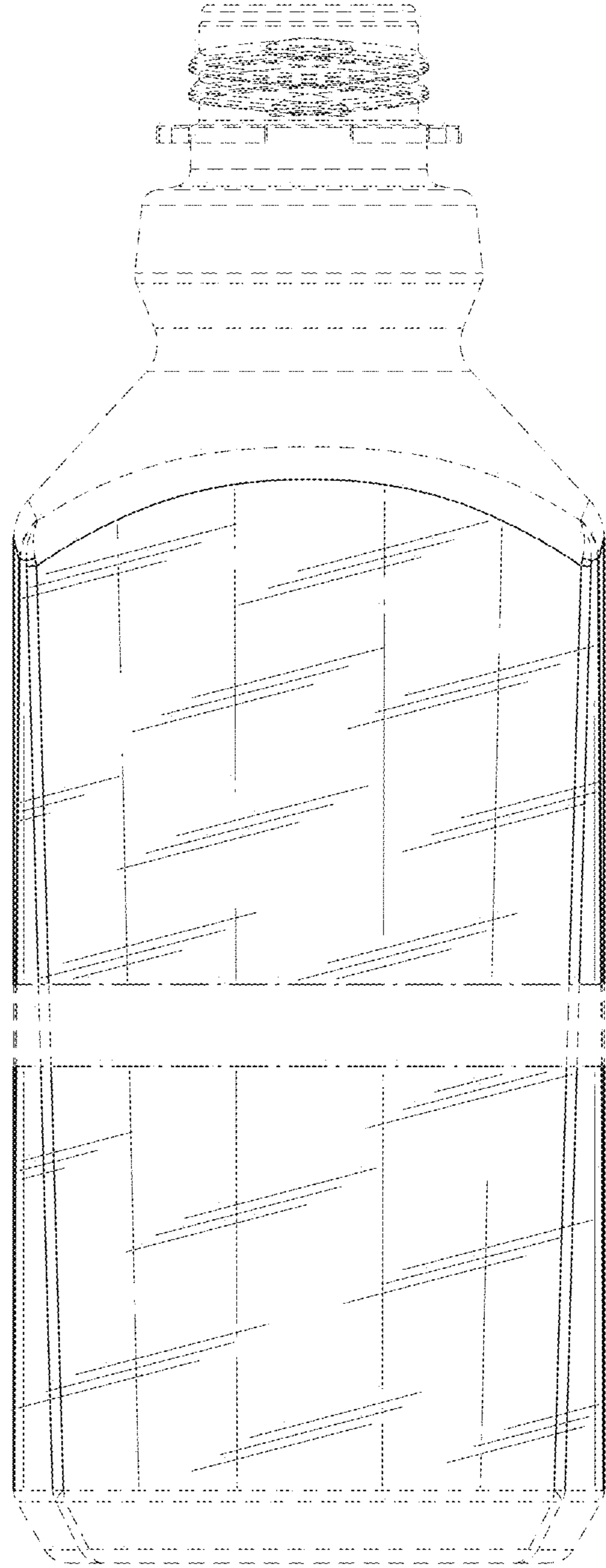


FIG. 25

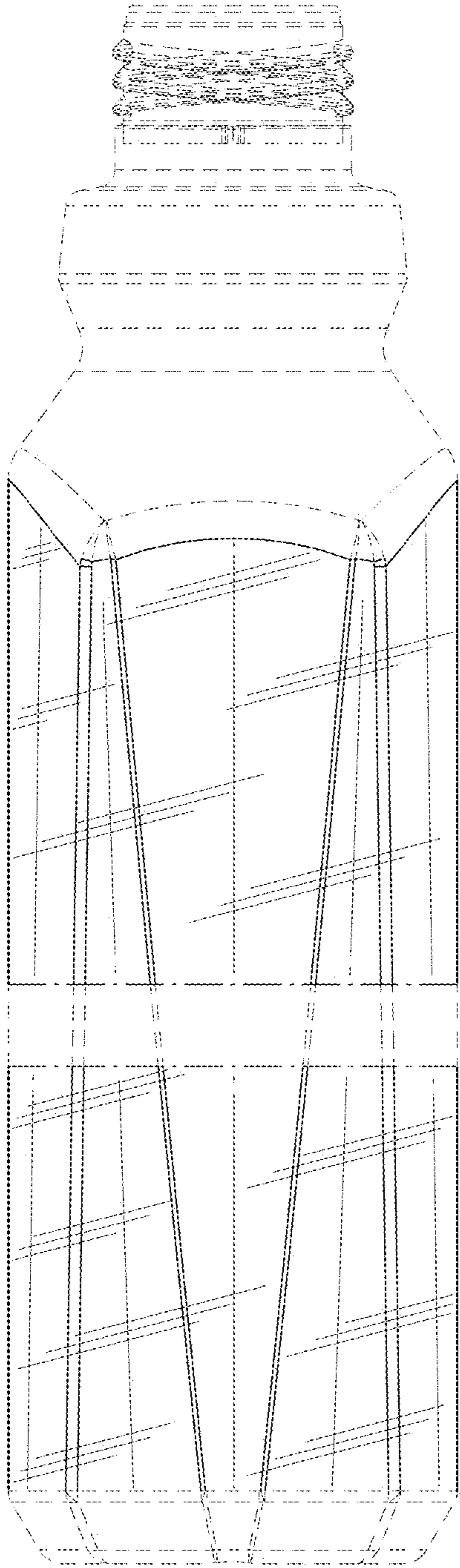


FIG. 26

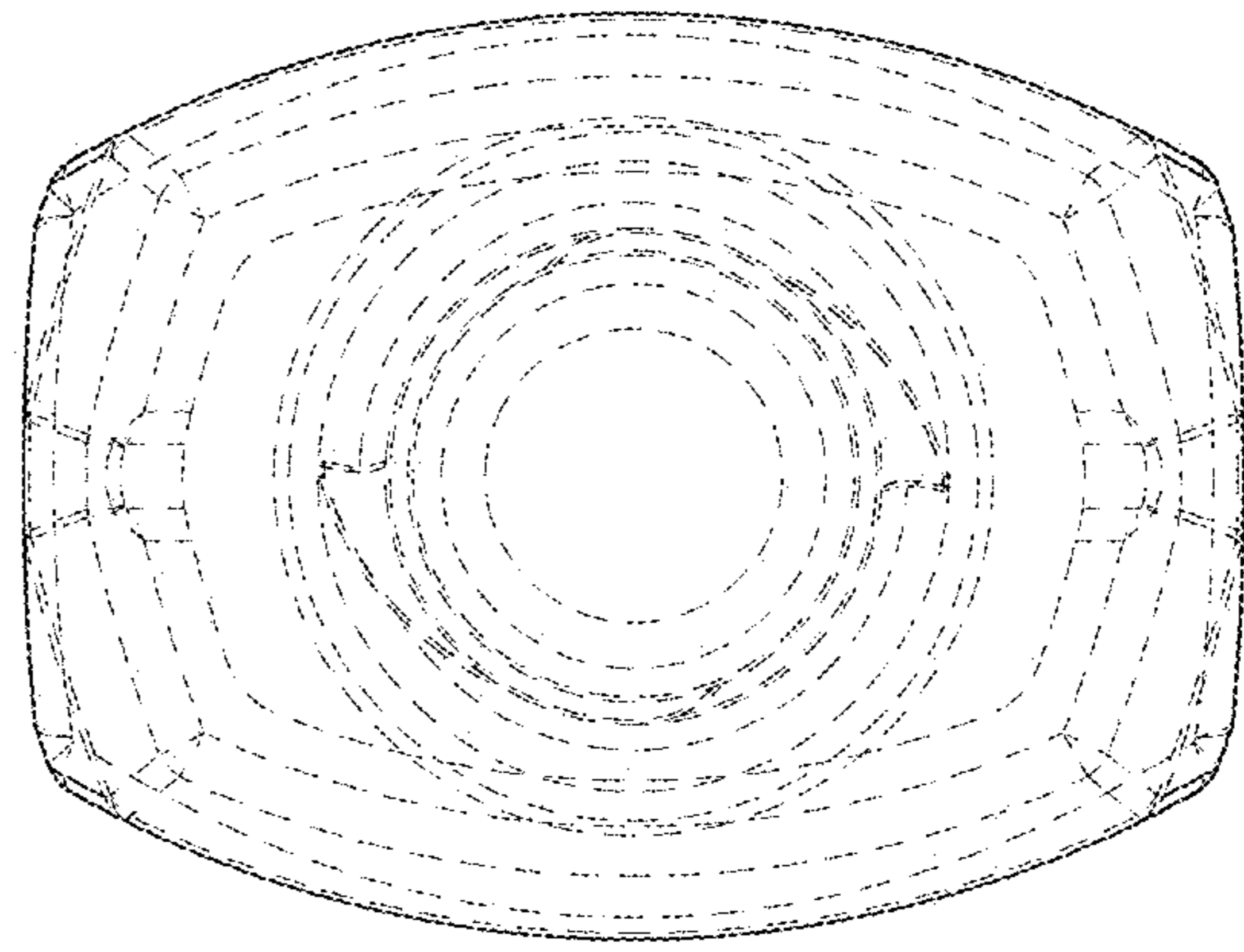


FIG. 27

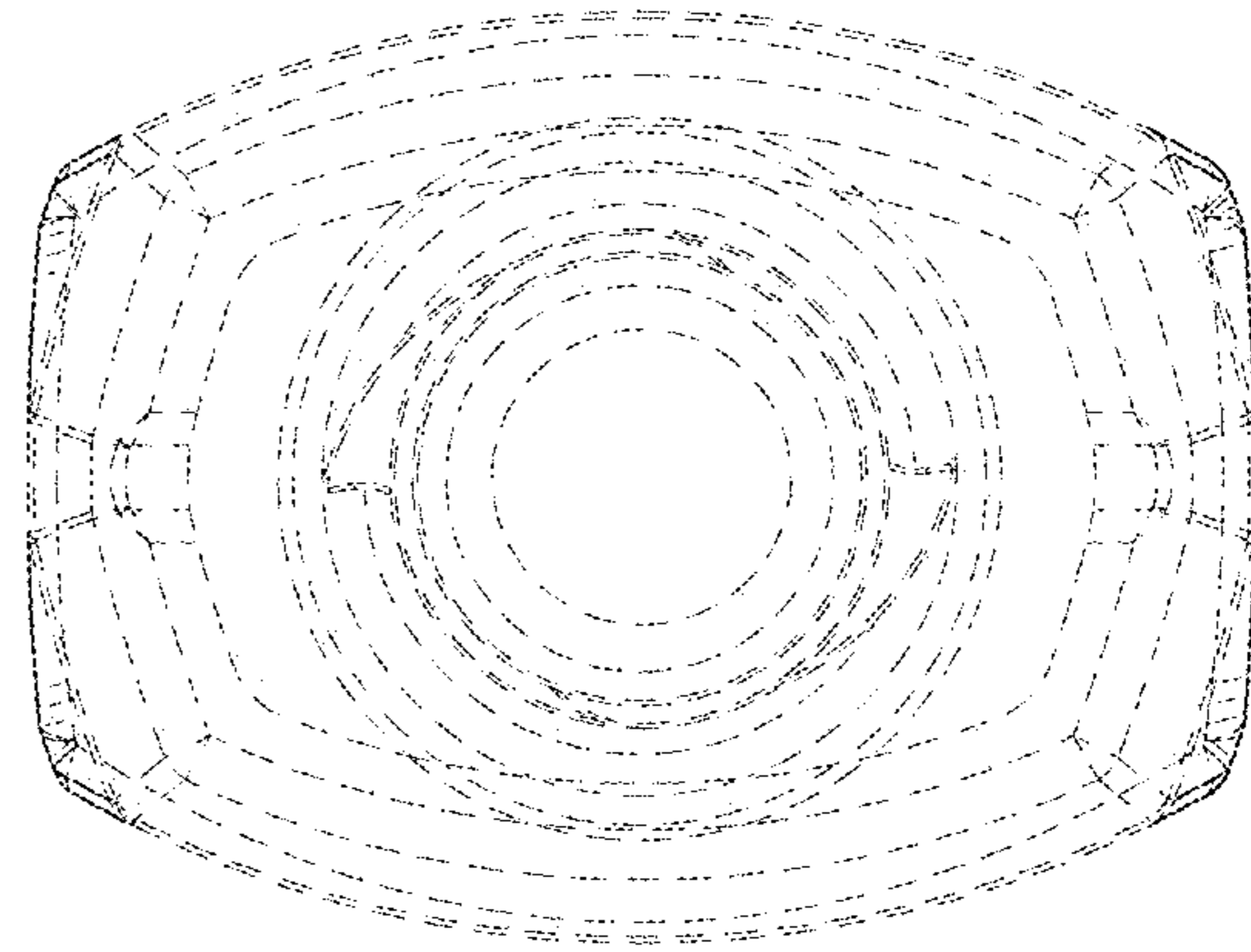


FIG. 28