



US00D886611S

(12) **United States Design Patent** (10) **Patent No.:** **US D886,611 S**
Jones et al. (45) **Date of Patent:** **** Jun. 9, 2020**

(54) **CONTAINER UNIT** 3,589,509 A 6/1971 Mascia et al.
 3,593,873 A 7/1971 Vonk
 (71) Applicants: **Baxalta GmbH**, Glattpark (Opfikon) 3,601,253 A 8/1971 Poupitch
 (CH); **Baxalta Incorporated**, 3,727,749 A 4/1973 Martin
 Bannockburn, IL (US) 3,744,661 A 7/1973 Fischer, Jr.
 3,876,377 A * 4/1975 Cinqualbre B01L 3/502
 422/408
 (72) Inventors: **Seth Dale Jones**, Round Lake, IL (US); 3,893,280 A 7/1975 King
Madeleine Clare Gibson, Madison, WI (Continued)
 (US); **Daniel Edward Roush**, Niles, IL (US)

FOREIGN PATENT DOCUMENTS

(73) Assignees: **Baxalta GmbH**, Glattpark (Opfikon) CN 201830503853.6 9/2018
 (CH); **Baxalta Incorporated**, EP 0 495 808 7/1992
 Bannockburn, IL (US) (Continued)

OTHER PUBLICATIONS

(**) Term: **15 Years**
 (21) Appl. No.: **29/665,387**
 (22) Filed: **Oct. 3, 2018**
 (51) **LOC (12) Cl.** **09-01**
 (52) **U.S. Cl.**
 USPC **D9/516**
 (58) **Field of Classification Search**
 USPC D24/107, 169, 186, 216, 223-230;
 D9/345, 434, 455, 752, 753; D3/309,
 D3/316
 CPC G01N 21/0303; B01L 3/508
 See application file for complete search history.

Tractor S.C. Online. published date unknown. Retrieved on Jan. 9, 2020 from URL: https://en.wikipedia.org/wiki/Tractor_S.C.*

Primary Examiner — Susan Bennett Hattan
Assistant Examiner — Omeed Agilee
 (74) *Attorney, Agent, or Firm* — Wolf, Greenfield & Sacks, P.C.

(57) **CLAIM**

The ornamental design for a container unit, as shown and described.

DESCRIPTION

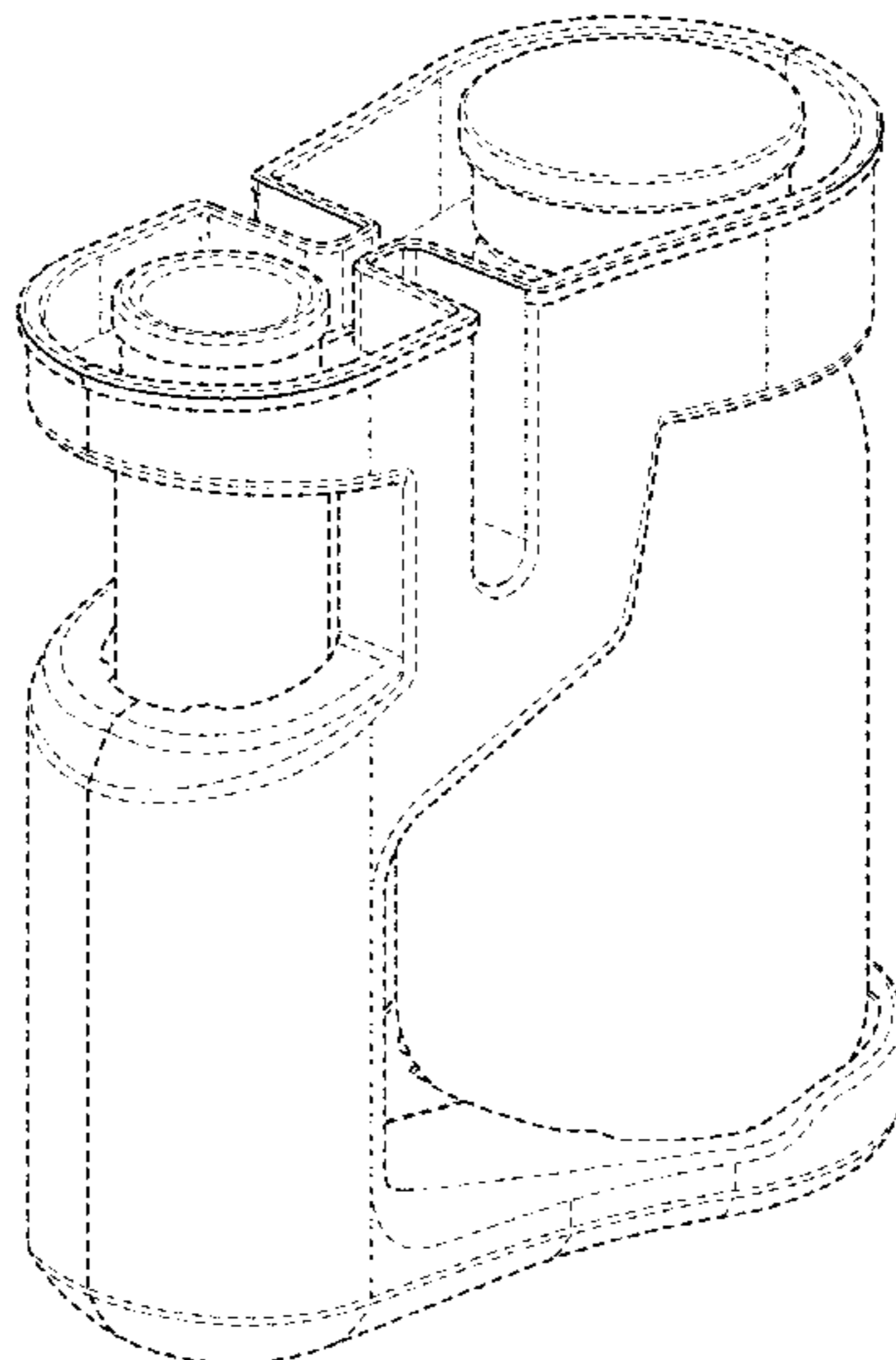
FIG. 1 is a top, front, left side perspective view of a container unit;
 FIG. 2 is a front elevation view thereof;
 FIG. 3 is a rear elevation view thereof;
 FIG. 4 is a left side elevation view thereof;
 FIG. 5 is a right side elevation view thereof;
 FIG. 6 is a top plan view thereof; and,
 FIG. 7 is a bottom plan view thereof.
 The broken lines shown illustrate portions of the container unit that form no part of the claimed design.

(56) **References Cited**

U.S. PATENT DOCUMENTS

363,690 A 5/1887 Sleeper
 2,080,947 A 5/1937 Ligeour
 2,399,893 A 5/1946 Scholz
 D159,762 S * 8/1950 Touhey D9/782
 2,754,962 A 7/1956 Scrymgeour
 2,865,669 A 12/1958 Linthicum
 2,949,204 A 8/1960 Edwards
 3,278,007 A 10/1966 Weber
 3,543,355 A * 12/1970 Wyckoff A45F 5/00
 211/70.2

1 Claim, 7 Drawing Sheets



(56)

References Cited

U.S. PATENT DOCUMENTS

4,143,764 A 3/1979 Moss, III
 4,178,152 A * 12/1979 Nunogaki G01N 33/50
 422/72
 4,262,814 A 4/1981 Roccaforte
 4,526,756 A * 7/1985 Wong B01L 9/06
 206/443
 D280,932 S * 10/1985 Green D24/145
 D283,640 S 4/1986 Grimes
 4,856,647 A 8/1989 Dahne
 D306,645 S * 3/1990 Parker D24/223
 4,970,053 A * 11/1990 Fechtner B01L 3/508
 206/569
 5,005,721 A 4/1991 Jordan
 5,009,309 A 4/1991 Hansen
 5,040,678 A 8/1991 Lenmark, Sr. et al.
 5,148,919 A 9/1992 Rubin
 D355,260 S 2/1995 Tomasso
 5,609,248 A 3/1997 Rohrbough et al.
 5,725,499 A 3/1998 Silverstein et al.
 5,954,213 A 9/1999 Gerhart et al.
 6,000,548 A 12/1999 Tsals
 6,102,233 A 8/2000 Waugh
 6,164,450 A 12/2000 Benedetti
 6,213,529 B1 4/2001 Kurcz et al.
 6,305,541 B1 10/2001 Tanner et al.
 D457,949 S * 5/2002 Krug D24/111
 6,558,628 B1 5/2003 Reo
 6,613,283 B2 9/2003 Reo
 6,789,828 B1 9/2004 Borg

6,929,474 B2 8/2005 Schenck et al.
 7,468,049 B2 12/2008 Laveault
 D620,603 S 7/2010 Talmer et al.
 D632,802 S 2/2011 Salinas et al.
 D645,973 S 9/2011 Hoenes
 8,684,433 B2 4/2014 Oesterle et al.
 D769,456 S 10/2016 Dulaff
 D778,460 S 2/2017 Marechal et al.
 D847,634 S 5/2019 Hatakeyama
 D847,974 S 5/2019 McNall et al.
 D865,993 S * 11/2019 Trump D24/224
 2005/0045495 A1 3/2005 Dalsing et al.
 2005/0175338 A1 8/2005 Ide et al.
 2007/0267378 A1 11/2007 Piccinino et al.
 2007/0278245 A1 12/2007 Brooks et al.
 2013/0284735 A1 10/2013 Oesterle et al.
 2016/0266156 A1 * 9/2016 Brennan B01L 3/523

FOREIGN PATENT DOCUMENTS

EP 0 631 816 1/1995
 EP 0 734 963 10/1996
 FR 2 085 307 12/1971
 FR 2 715 131 7/1995
 JP 08-324571 12/1996
 JP D2016-11117 5/2016
 TW 455382 9/2001
 TW D194378 12/2018
 WO WO 93/01739 2/1993
 WO WO 1996/32917 10/1996
 WO WO 2009/083347 7/2009

* cited by examiner

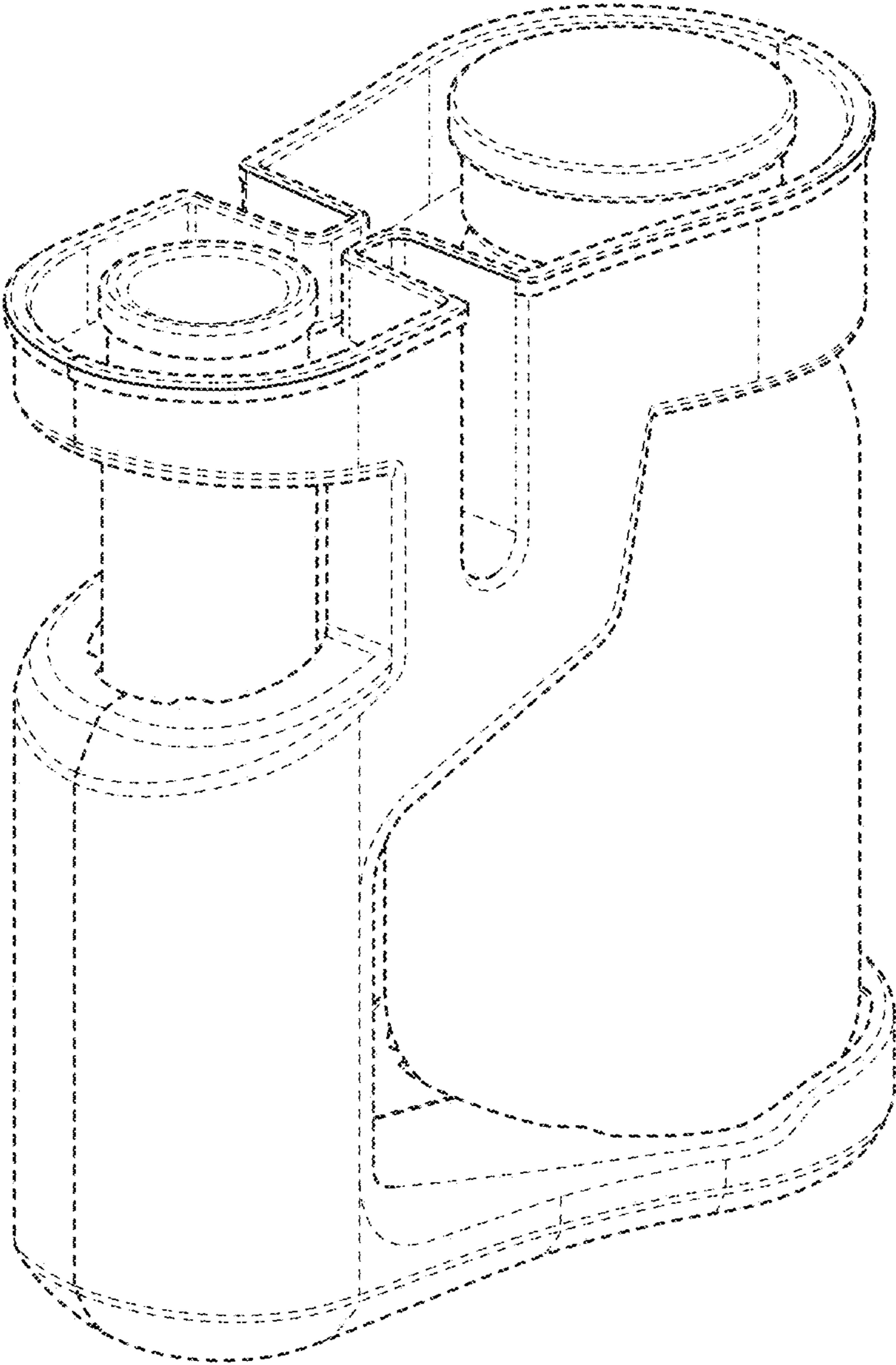


FIG. 1

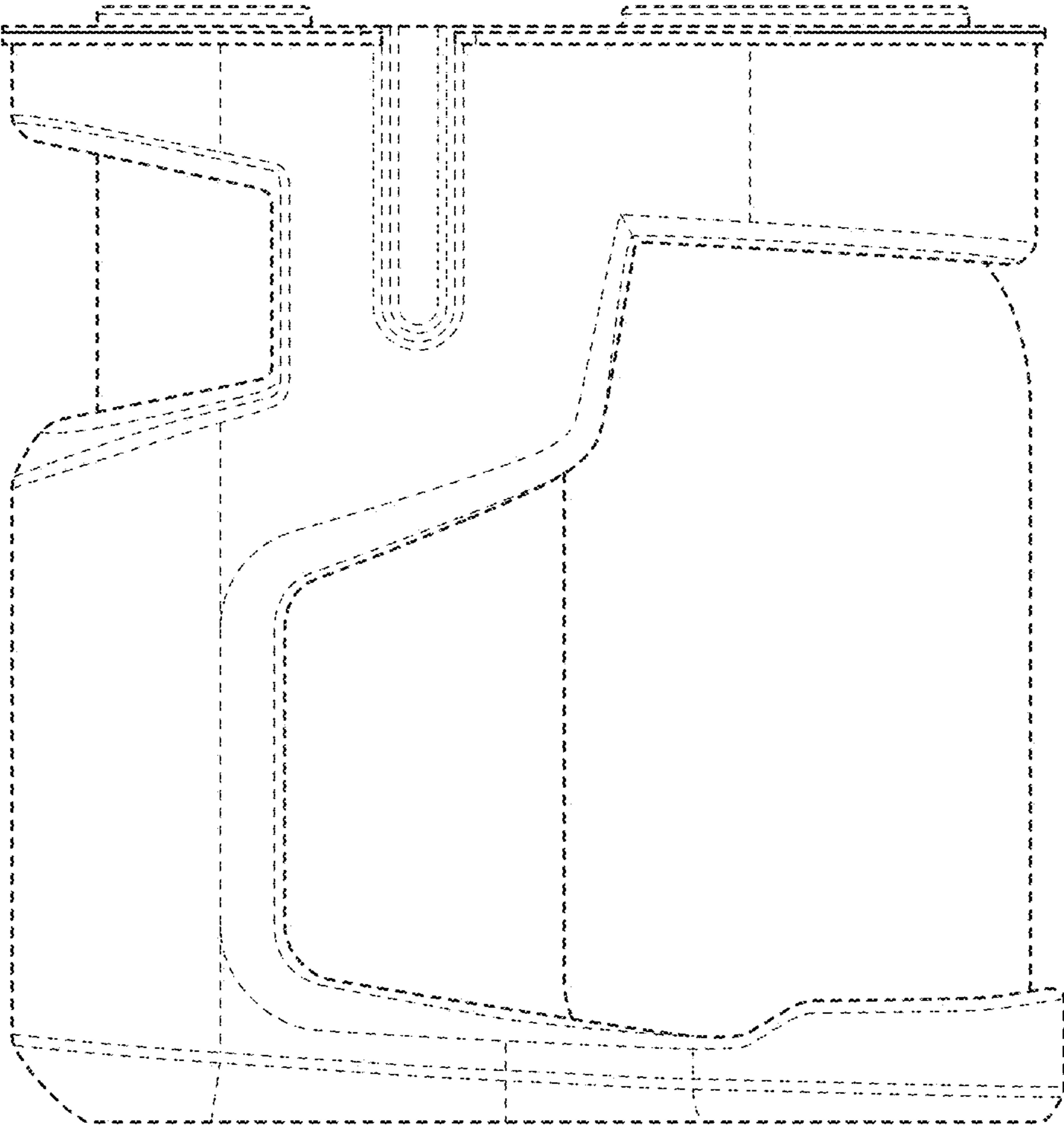


FIG. 2

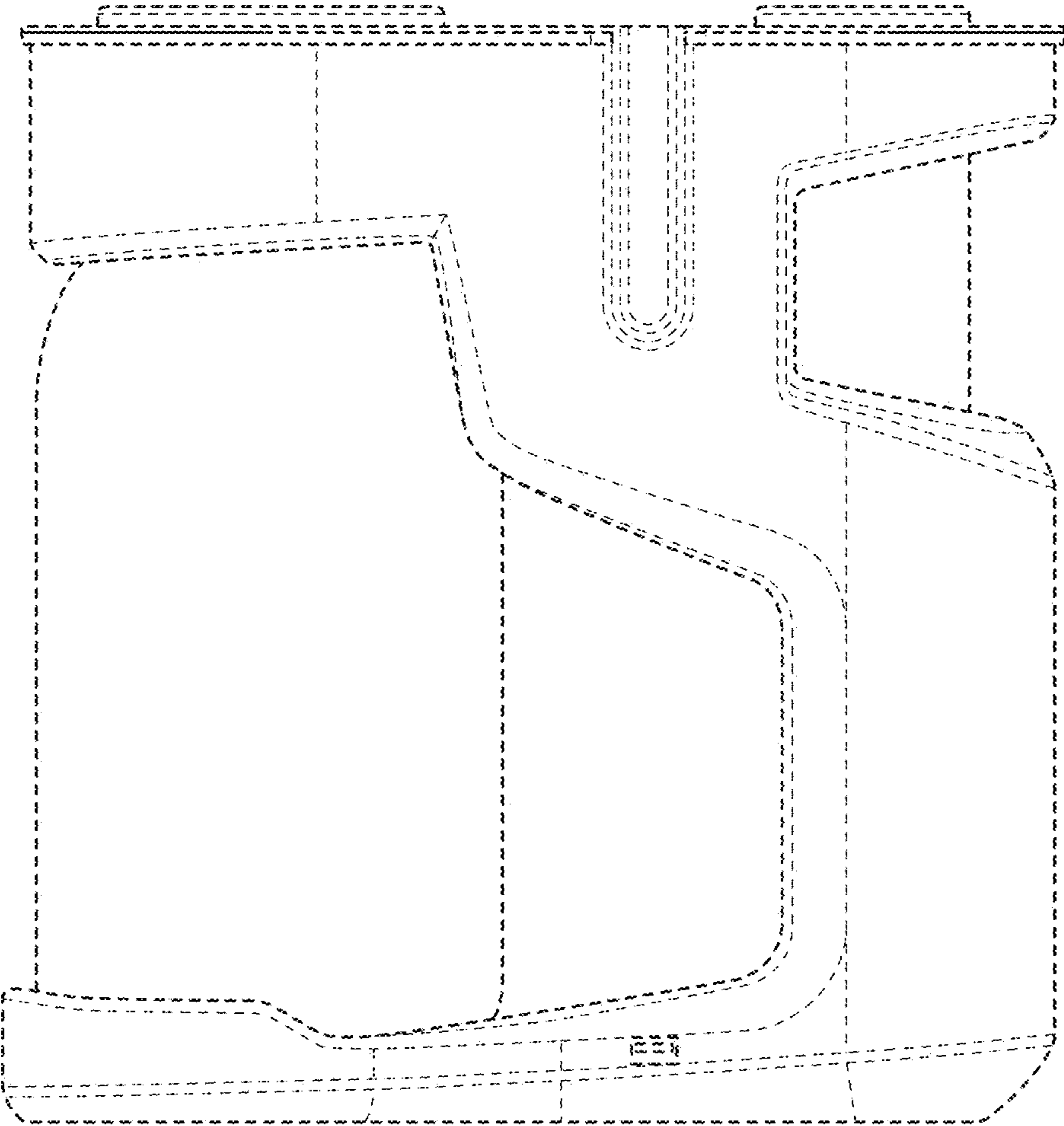


FIG. 3

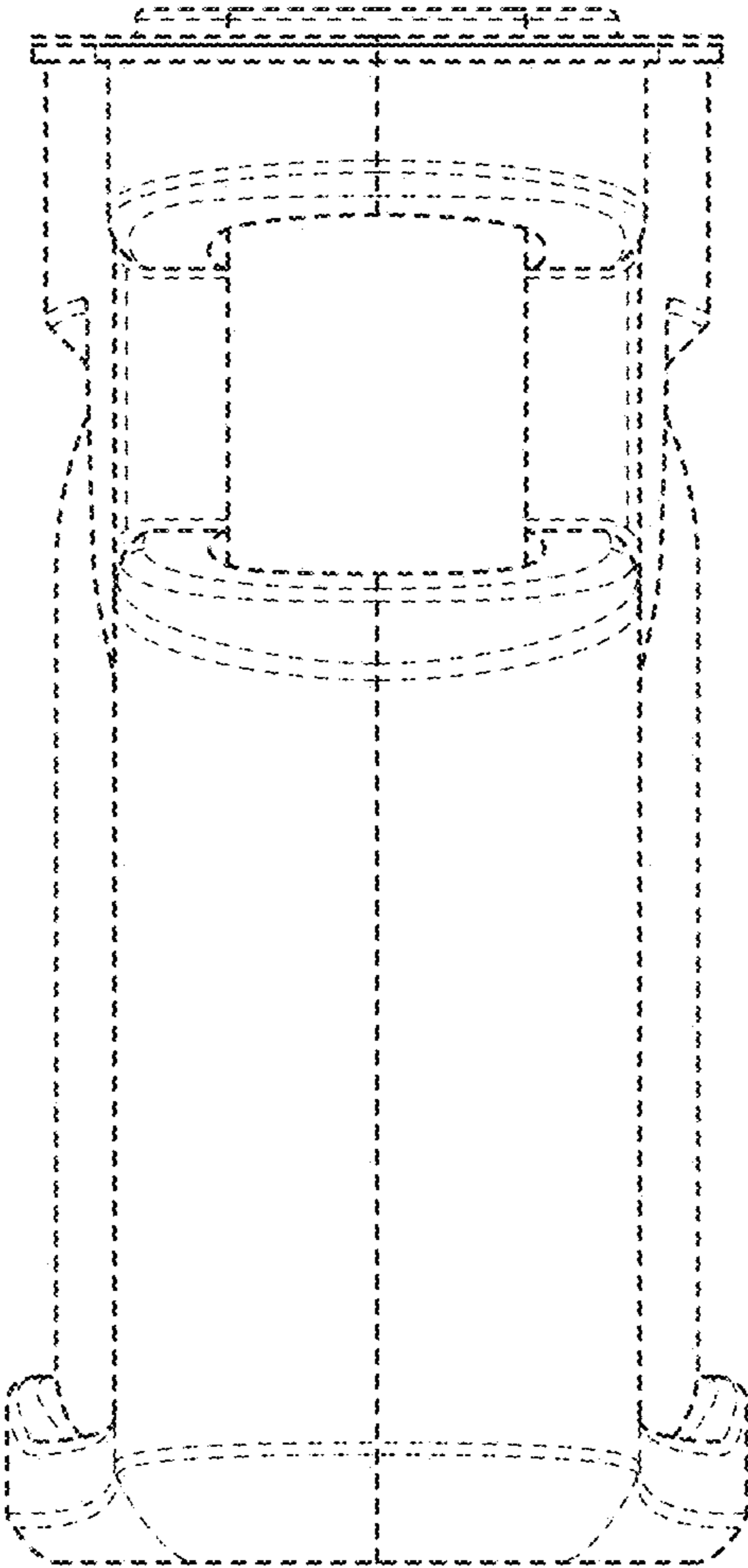


FIG. 4

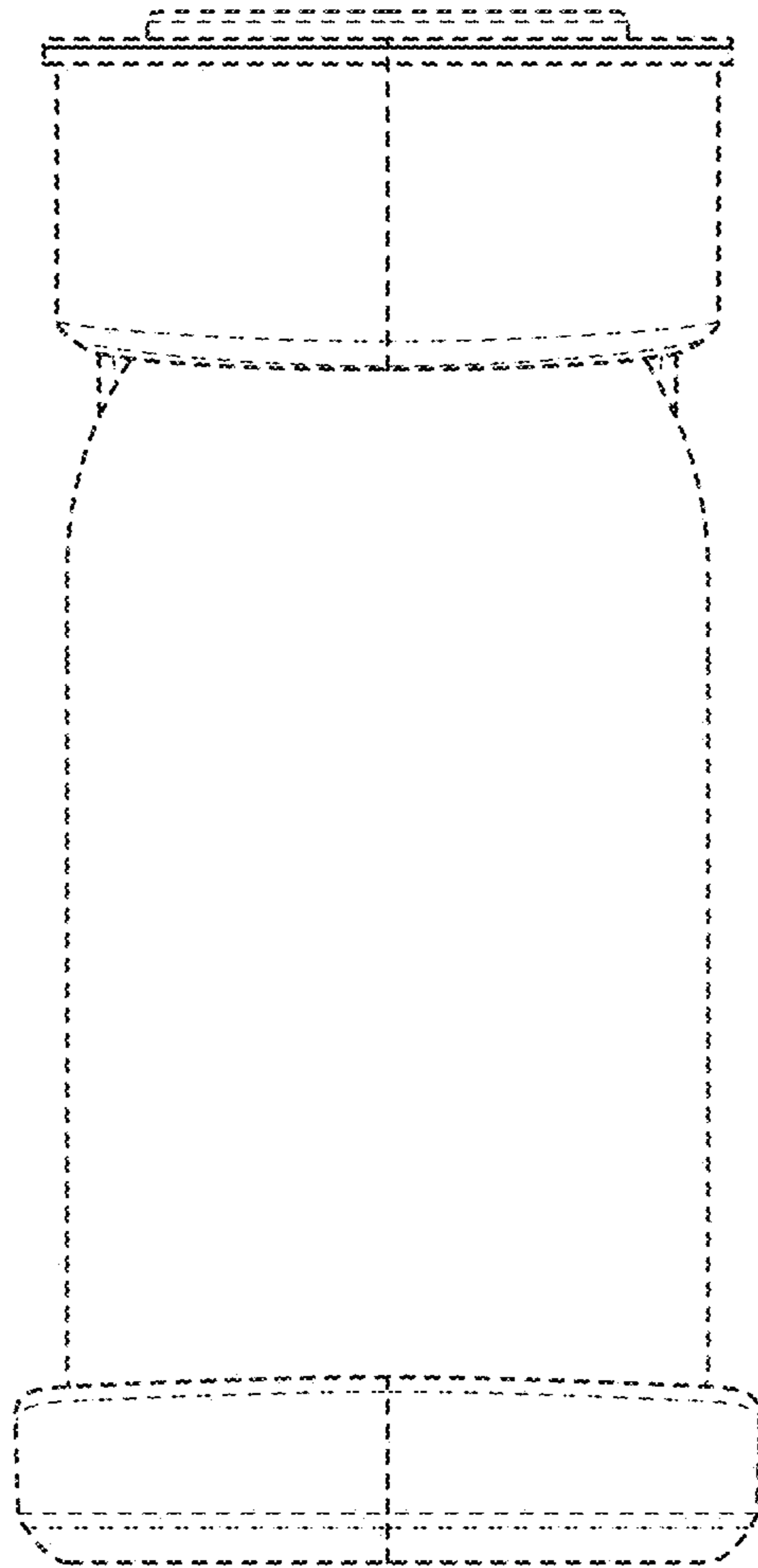


FIG. 5

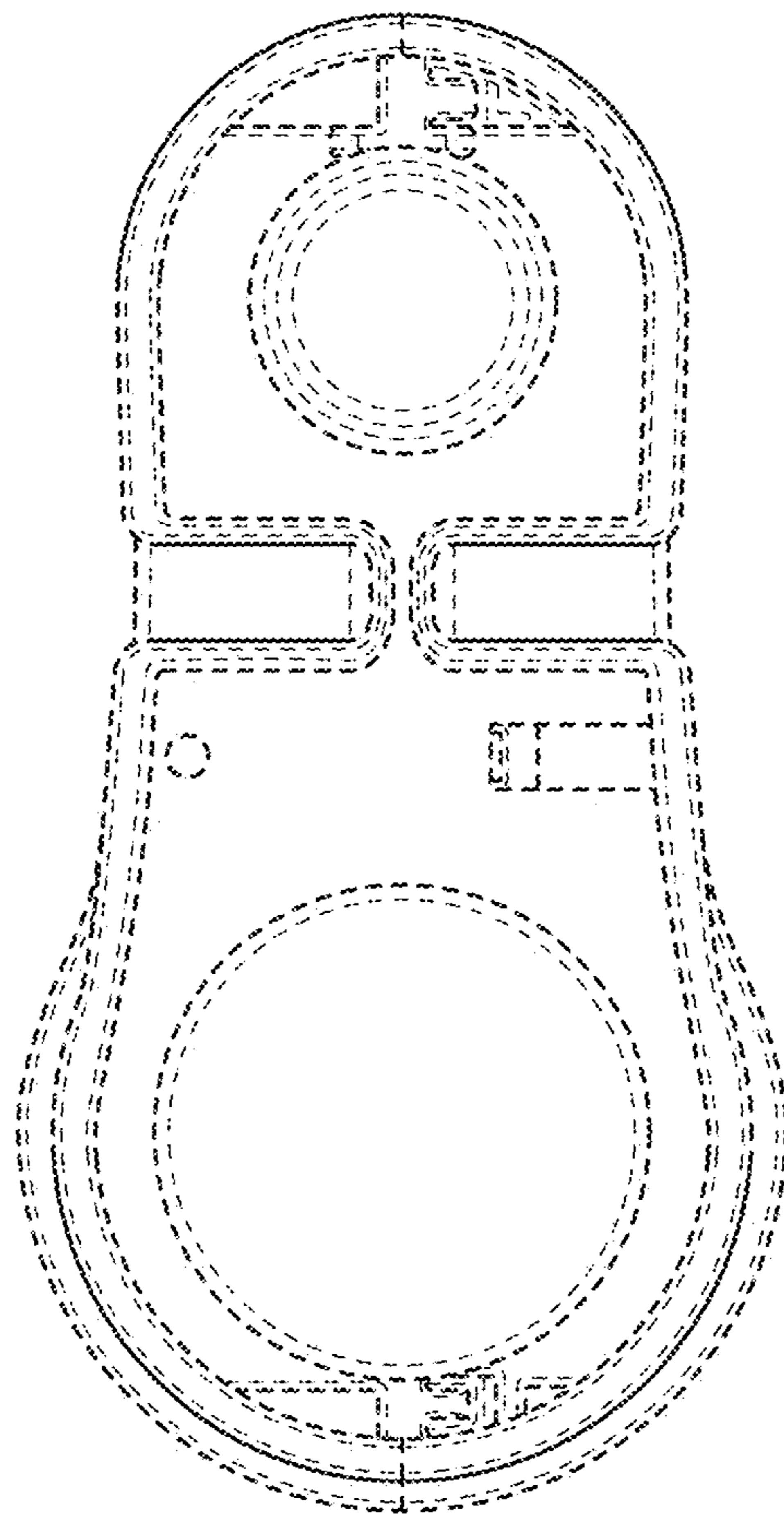


FIG. 6

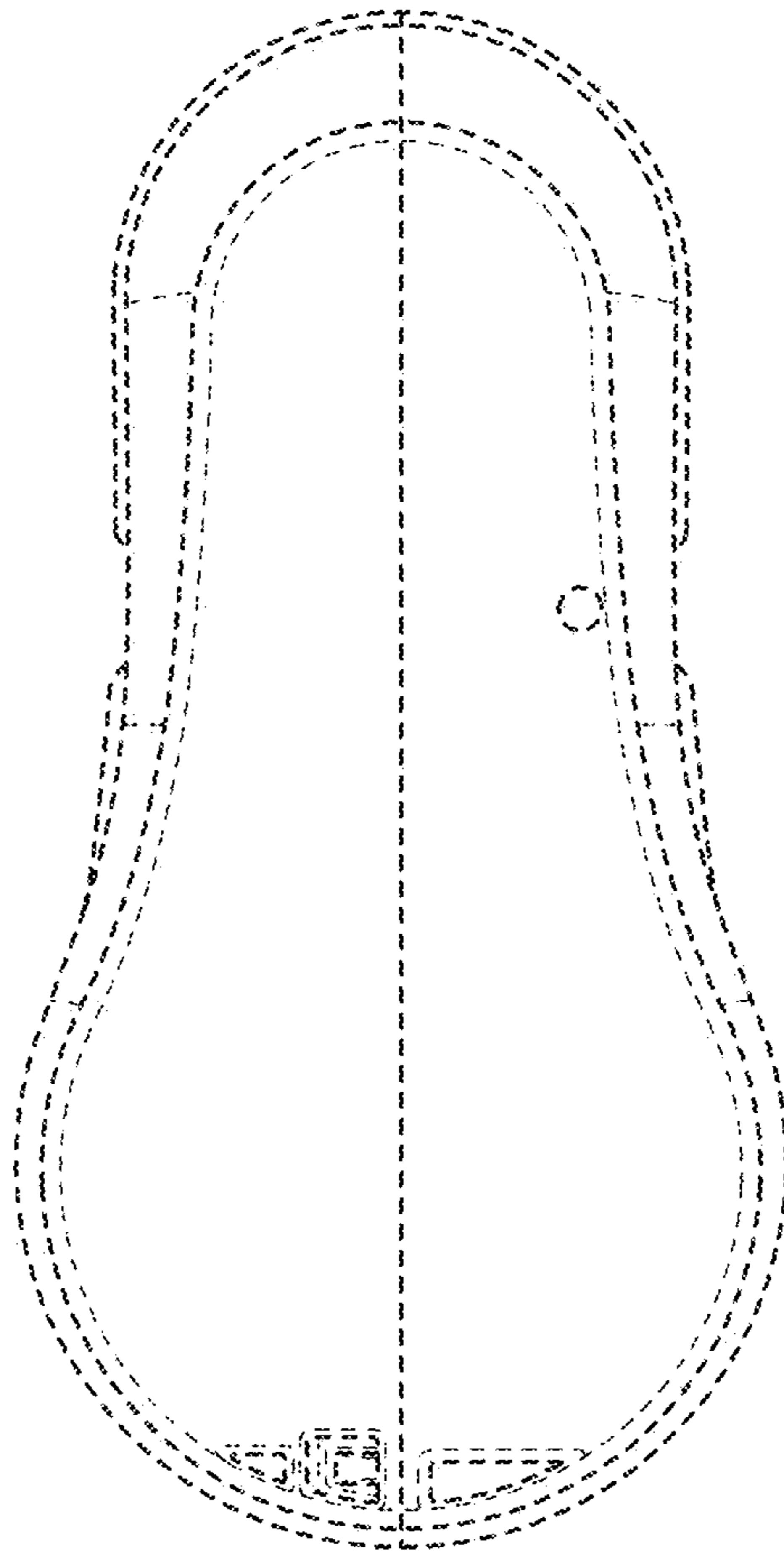


FIG. 7