



US00D886610S

(12) **United States Design Patent**
Aboabdo

(10) **Patent No.:** **US D886,610 S**
(45) **Date of Patent:** **** Jun. 9, 2020**

(54) **BOTTLE**

(71) Applicant: **Chubby Gorilla, Inc.**, Fullerton, CA (US)

(72) Inventor: **Ibrahiem H. Aboabdo**, Yorba Linda, CA (US)

(73) Assignee: **Chubby Gorilla, Inc.**, Fullerton, CA (US)

(**) Term: **15 Years**

(21) Appl. No.: **29/619,403**

(22) Filed: **Sep. 28, 2017**

(51) **LOC (12) Cl.** **09-01**

(52) **U.S. Cl.**
USPC **D9/503**; D9/726

(58) **Field of Classification Search**
USPC D9/442, 503, 695-699, 702-714,
D9/723-729; D24/199; D28/7;

(Continued)

(56) **References Cited**

U.S. PATENT DOCUMENTS

D221,132 S * 7/1971 Schiavone D9/503
D264,939 S * 6/1982 Stock D24/115

(Continued)

FOREIGN PATENT DOCUMENTS

TW D136109 8/2010

Primary Examiner — Janice Patyk

(74) *Attorney, Agent, or Firm* — Knobbe, Martens Olson & Bear, LLP

(57) **CLAIM**

The ornamental design for a bottle, as shown and described.

DESCRIPTION

FIG. 1 is a top perspective view of a first embodiment of a bottle, showing my new design.

FIG. 2 is a front view thereof.
FIG. 3 is a rear view thereof.
FIG. 4 is a first side view thereof.
FIG. 5 is a second side view thereof.
FIG. 6 is a top view thereof.
FIG. 7 is a bottom view thereof.
FIG. 8 is an exploded top perspective view thereof.
FIG. 9 is an exploded front view thereof.
FIG. 10 is a cross-sectional view thereof, taken along line 10-10 of FIG. 1, shown in enlarged scale.
FIG. 11 is a top perspective view of a second embodiment of a bottle, showing my new design.
FIG. 12 is a front view thereof.
FIG. 13 is a rear view thereof.
FIG. 14 is a first side view thereof.
FIG. 15 is a second side view thereof.
FIG. 16 is a top view thereof.
FIG. 17 is a bottom view thereof.
FIG. 18 is an exploded top perspective view thereof.
FIG. 19 is an exploded front view thereof.
FIG. 20 is a cross-sectional view thereof, taken along line 20-20 of FIG. 11, shown in enlarged scale.
FIG. 21 is a top perspective view of a third embodiment of a bottle, showing my new design.
FIG. 22 is a front view thereof.
FIG. 23 is a rear view thereof.
FIG. 24 is a first side view thereof.
FIG. 25 is a second side view thereof.
FIG. 26 is a top view thereof.
FIG. 27 is a bottom view thereof.
FIG. 28 is an exploded top perspective view thereof.
FIG. 29 is an exploded front view thereof.
FIG. 30 is a cross-sectional view thereof, taken along line 30-30 of FIG. 21, shown in enlarged scale.
FIG. 31 is a top perspective view of a fourth embodiment of a bottle, showing my new design.
FIG. 32 is a front view thereof.
FIG. 33 is a rear view thereof.
FIG. 34 is a first side view thereof.
FIG. 35 is a second side view thereof.
FIG. 36 is a top view thereof.
FIG. 37 is a bottom view thereof.
FIG. 38 is an exploded top perspective view thereof.

(Continued)

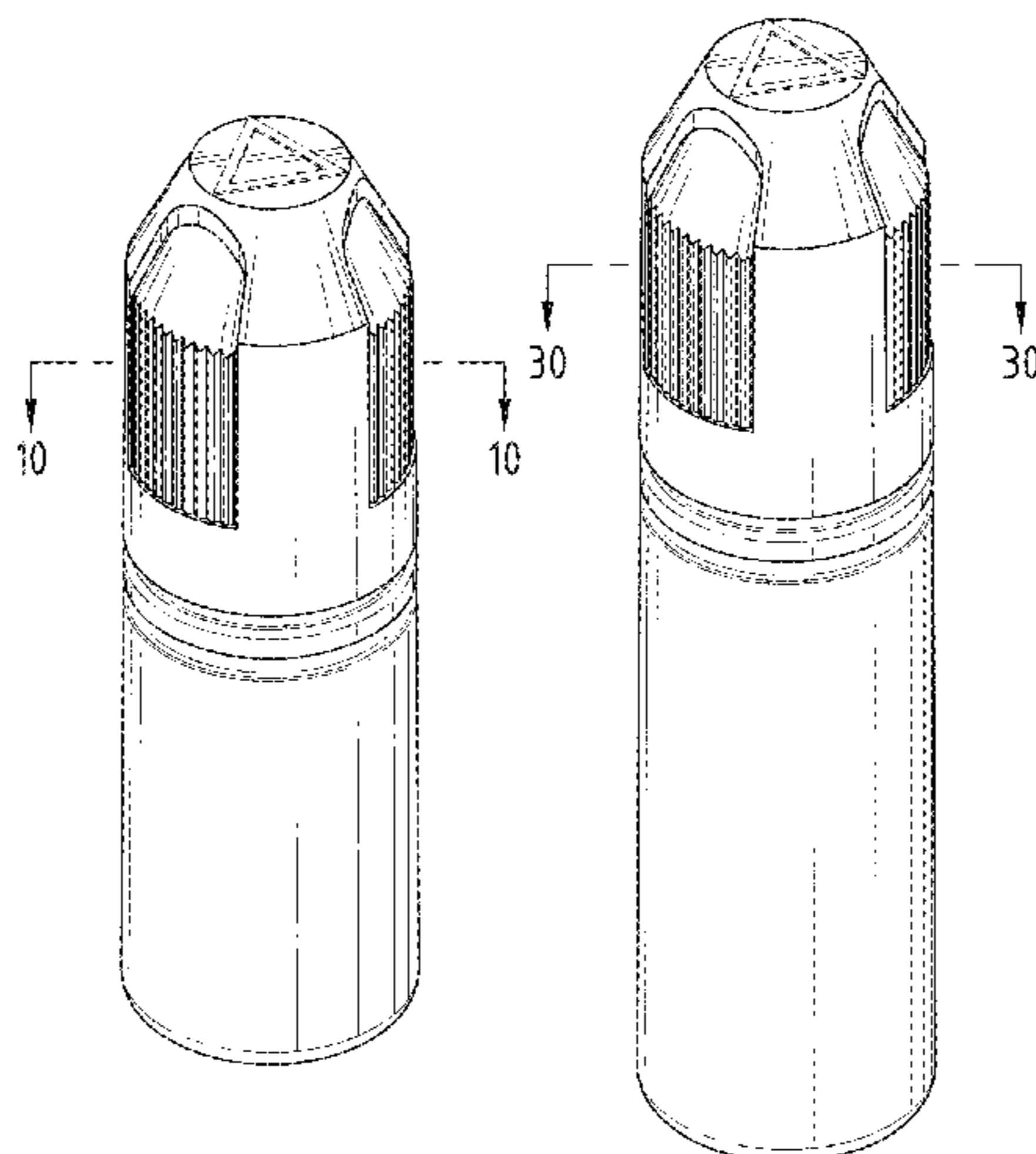


FIG. 39 is an exploded front view thereof.
 FIG. 40 is a cross-sectional view thereof, taken along line 40-40 of FIG. 31, shown in enlarged scale.
 FIG. 41 is a top perspective view of a fifth embodiment of a bottle, showing my new design.
 FIG. 42 is a front view thereof.
 FIG. 43 is a rear view thereof.
 FIG. 44 is a first side view thereof.
 FIG. 45 is a second side view thereof.
 FIG. 46 is a top view thereof.
 FIG. 47 is a bottom view thereof.
 FIG. 48 is an exploded top perspective view thereof.
 FIG. 49 is an exploded front view thereof.
 FIG. 50 is a cross-sectional view thereof, taken along line 50-50 of FIG. 41, shown in enlarged scale.
 FIG. 51 is a top perspective view of a sixth embodiment of a bottle, showing my new design.
 FIG. 52 is a front view thereof.
 FIG. 53 is a rear view thereof.
 FIG. 54 is a first side view thereof.
 FIG. 55 is a second side view thereof.
 FIG. 56 is a top view thereof.
 FIG. 57 is a bottom view thereof.
 FIG. 58 is an exploded top perspective view thereof.
 FIG. 59 is an exploded front view thereof.
 FIG. 60 is a cross-sectional view thereof, taken along line 60-60 of FIG. 51, shown in enlarged scale.
 FIG. 61 is a top perspective view of a seventh embodiment of a bottle, showing my new design.
 FIG. 62 is a front view thereof.
 FIG. 63 is a rear view thereof.
 FIG. 64 is a first side view thereof.
 FIG. 65 is a second side view thereof.
 FIG. 66 is a top view thereof.
 FIG. 67 is a bottom view thereof.
 FIG. 68 is an exploded top perspective view thereof.
 FIG. 69 is an exploded front view thereof; and,

FIG. 70 is a cross-sectional view thereof, taken along line 70-70 of FIG. 61, shown in enlarged scale.
 The bottle has been shown with symbolic breaks in FIGS. 11-15, 18-20, 51-55, and 58-60. The appearance of any portion of the article between the break lines forms no part of the claimed design.
 The broken lines in the figures illustrate the portions of the design that form no part of the claimed design.

1 Claim, 42 Drawing Sheets

(58) **Field of Classification Search**
 USPC 132/317, 318, 320; 222/95, 207, 212, 222/335
 CPC A45D 34/00; A45D 40/00; B65D 81/3272
 See application file for complete search history.

(56) **References Cited**

U.S. PATENT DOCUMENTS

D280,492	S *	9/1985	Greaves	D9/453
5,263,615	A *	11/1993	Anderson	B65D 1/0223 222/212
D451,396	S *	12/2001	Johnson	D9/530
6,334,557	B1 *	1/2002	Yang	B65D 47/123 222/420
D524,037	S *	7/2006	Van Horn	D3/203.1
8,444,610	B2 *	5/2013	Grevin	A61F 9/0008 222/420
D705,070	S *	5/2014	Zheng	D9/523
D732,400	S *	6/2015	Hua	D9/724
D742,019	S *	10/2015	Montgomery	D24/197
2004/0182814	A1 *	9/2004	Suffa	B65D 50/046 215/216
2006/0111680	A1 *	5/2006	Spada	A61F 9/0008 604/295
2010/0145287	A1 *	6/2010	Grevin	A61F 9/0008 604/295

* cited by examiner

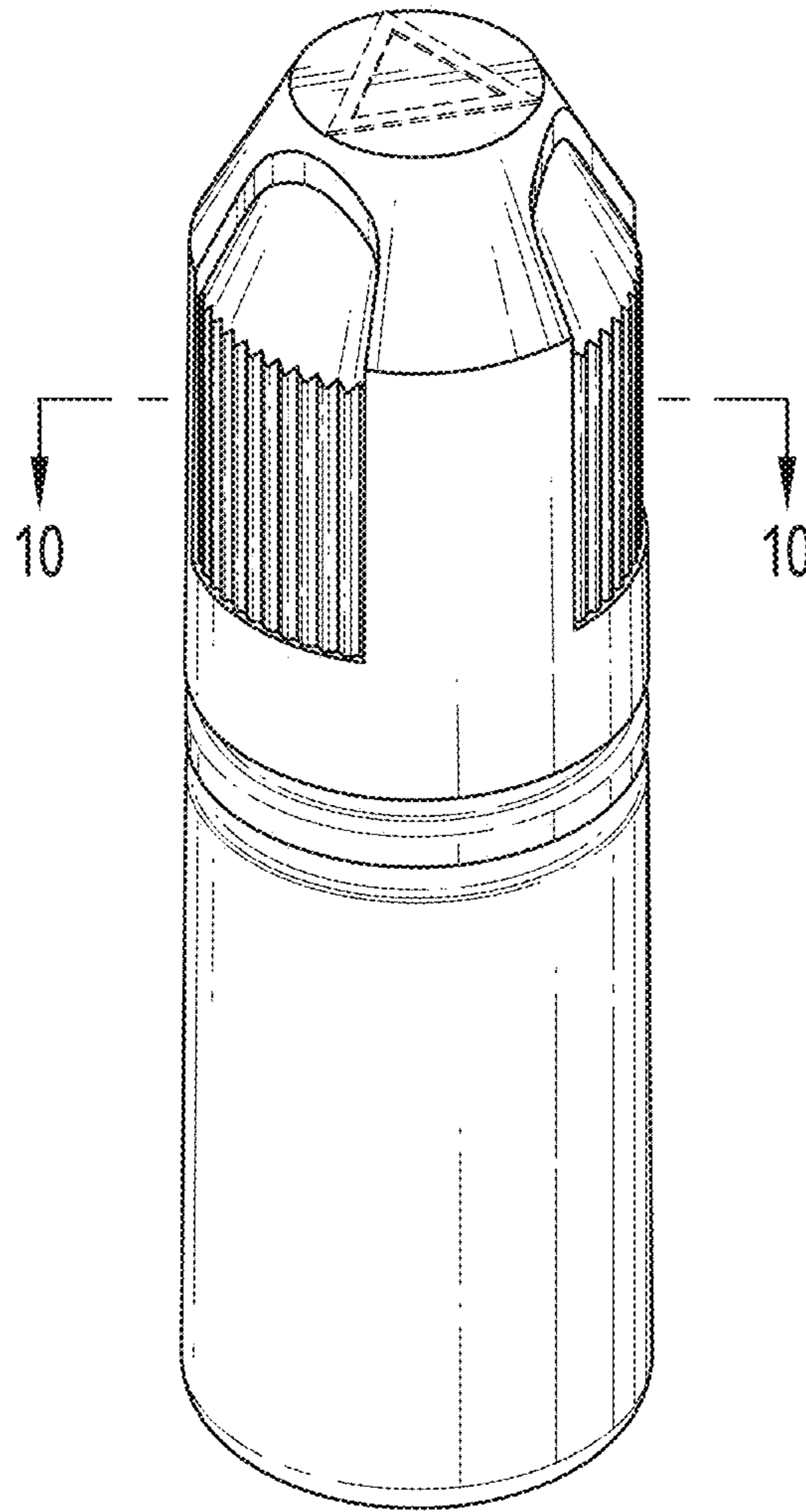


FIG. 1

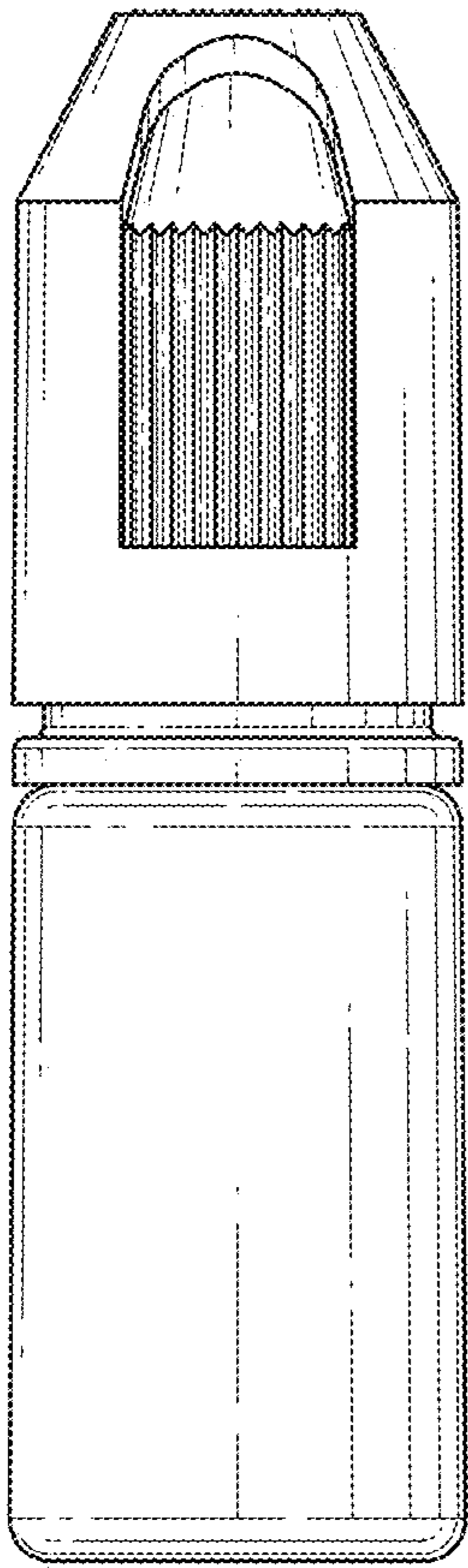


FIG. 2

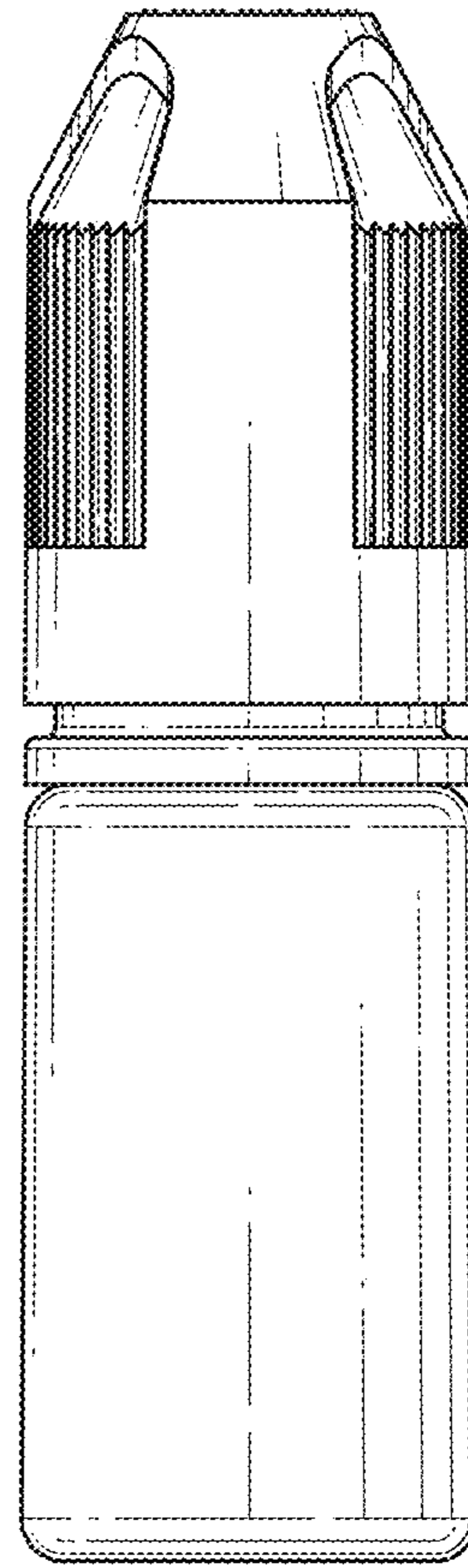


FIG. 3

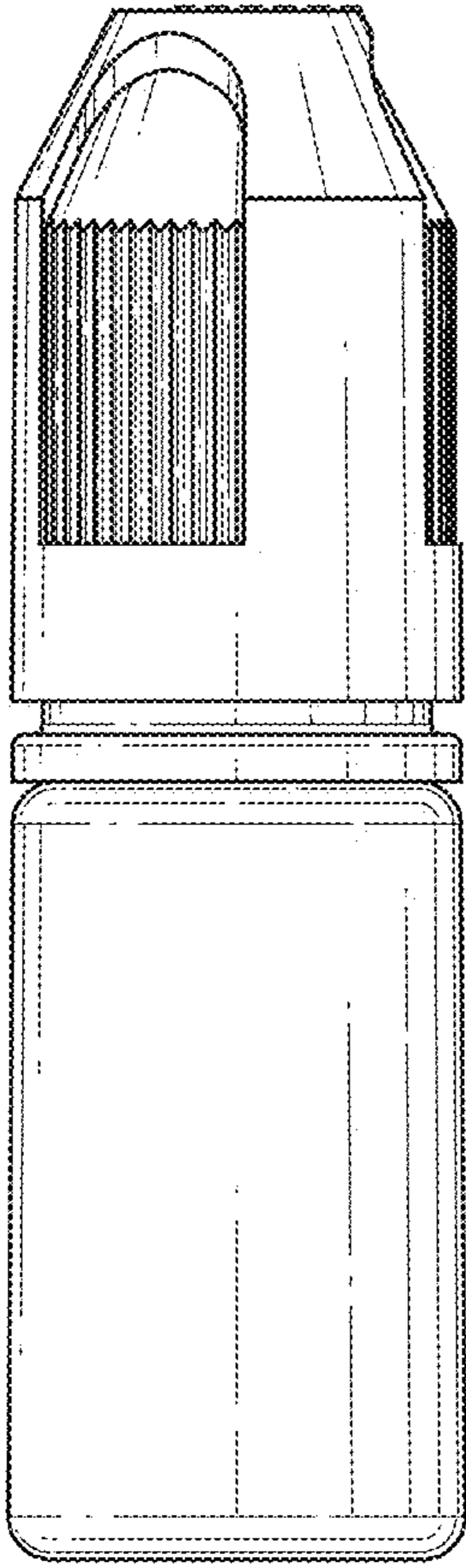


FIG. 4

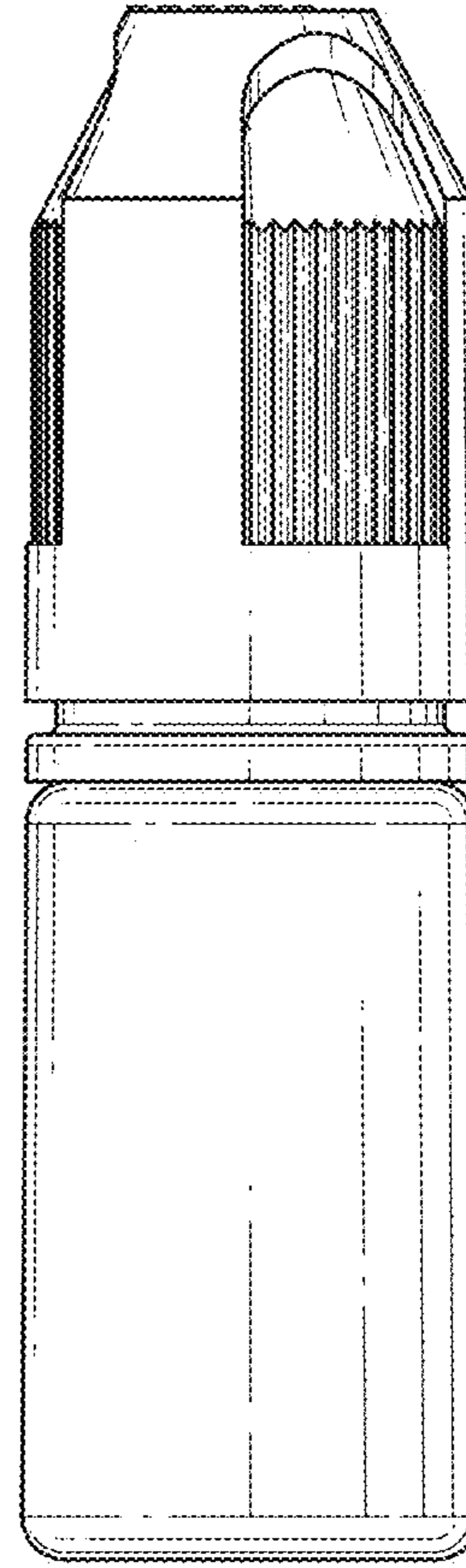


FIG. 5

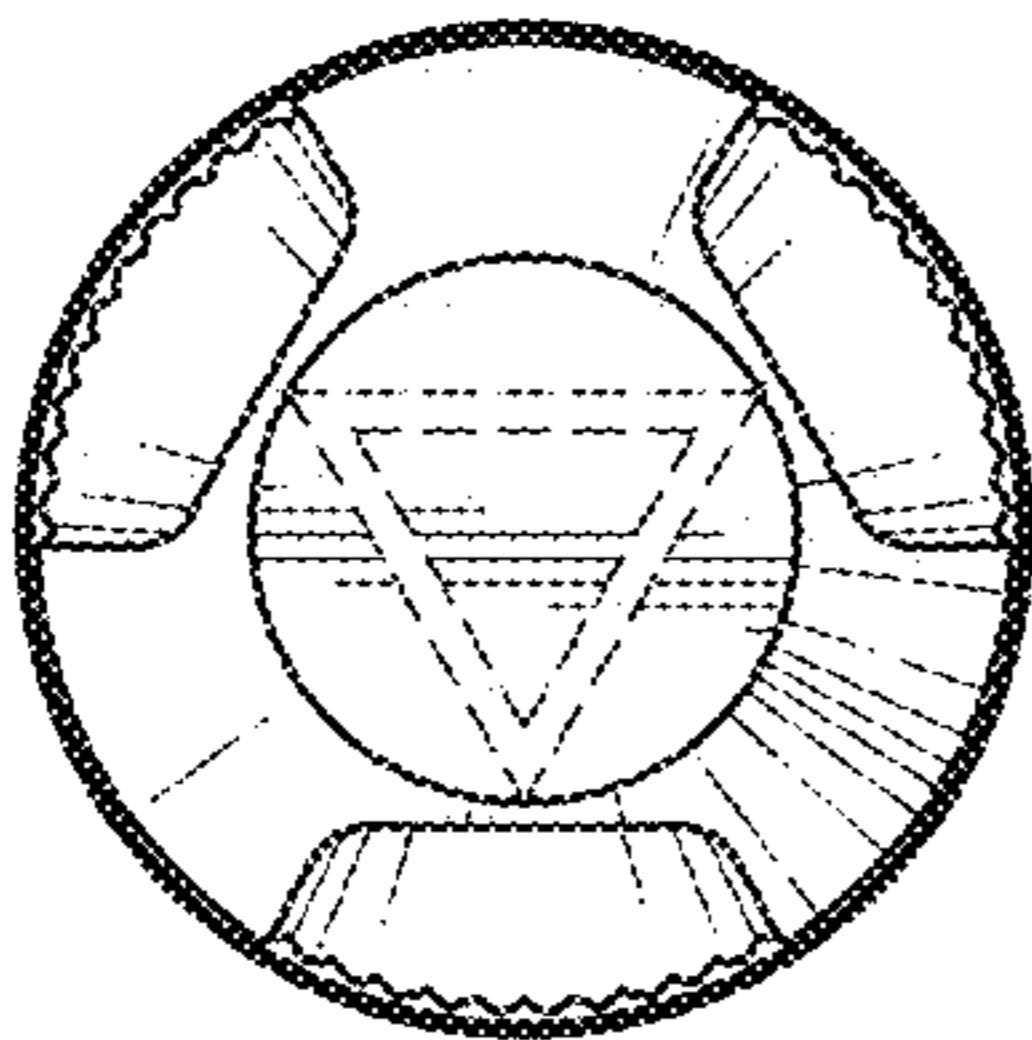


FIG. 6

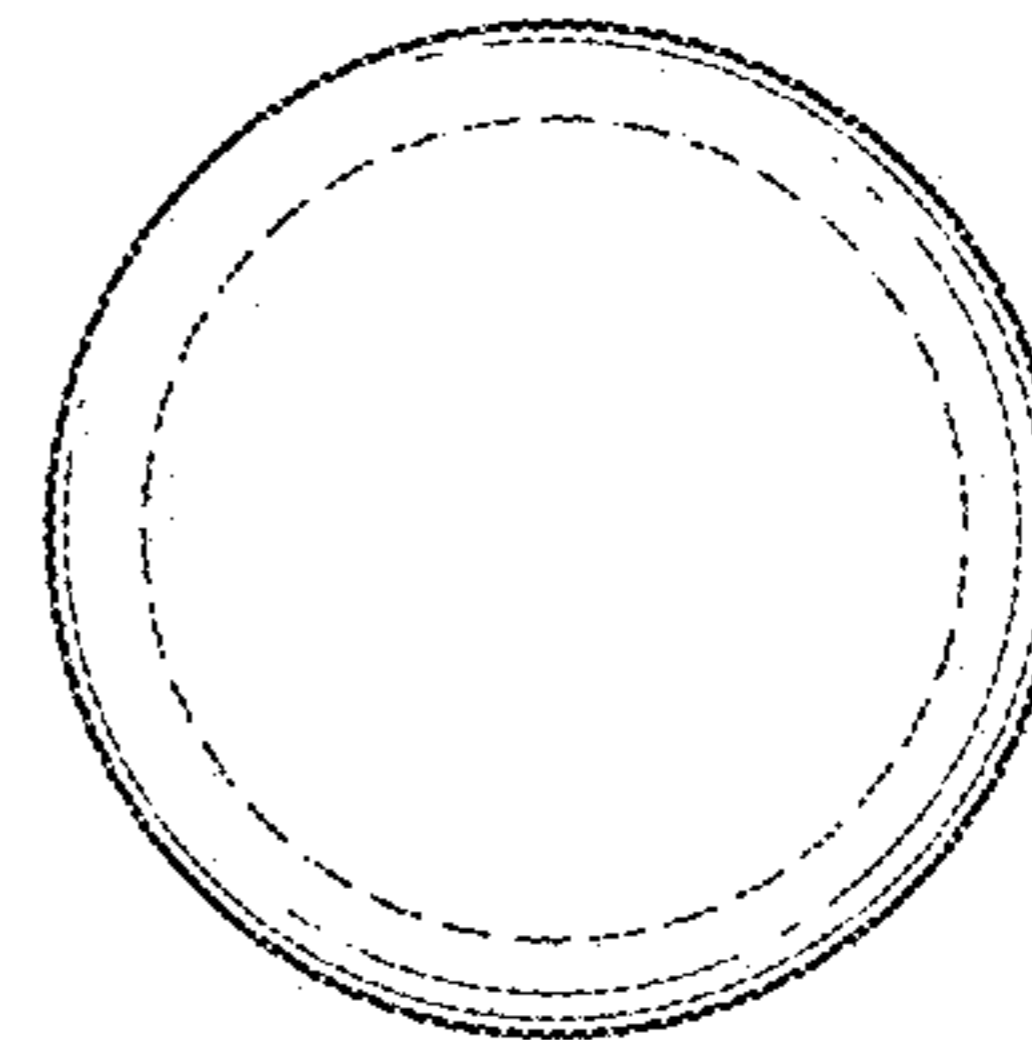


FIG. 7

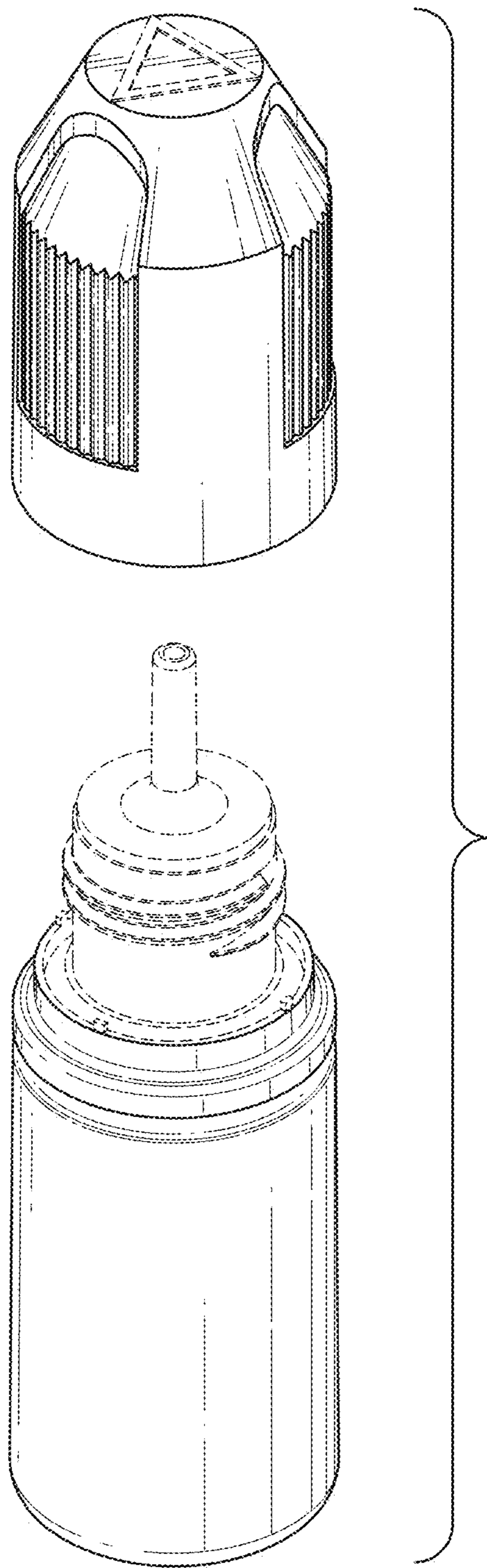


FIG. 8

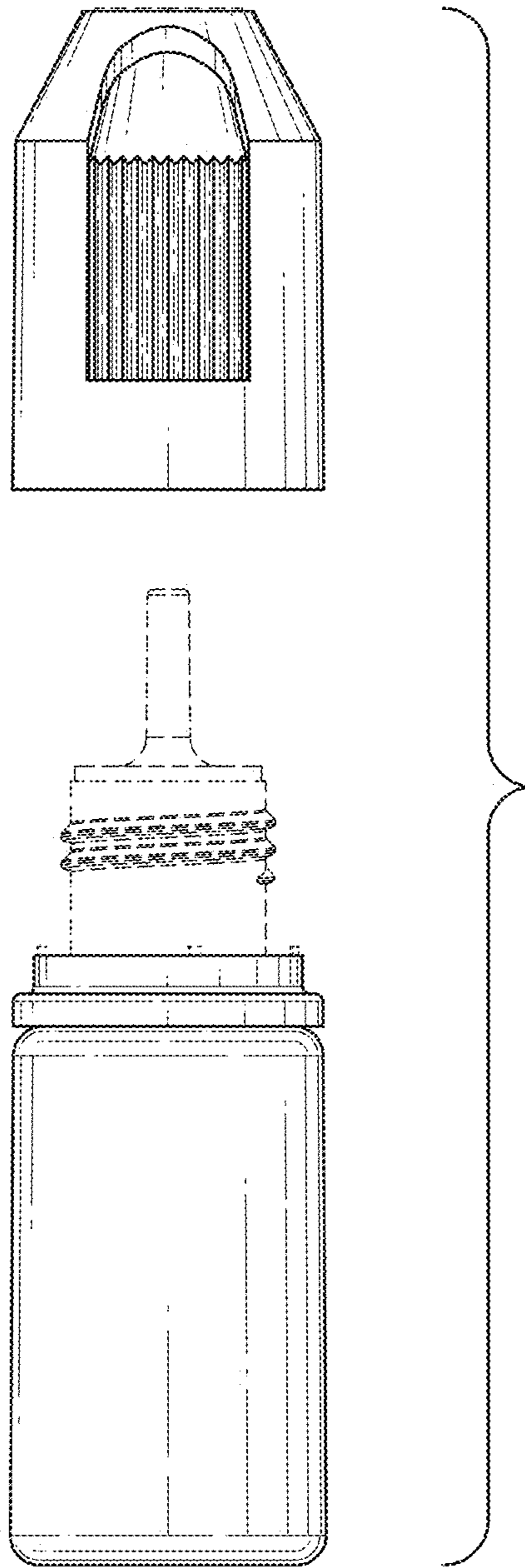


FIG. 9

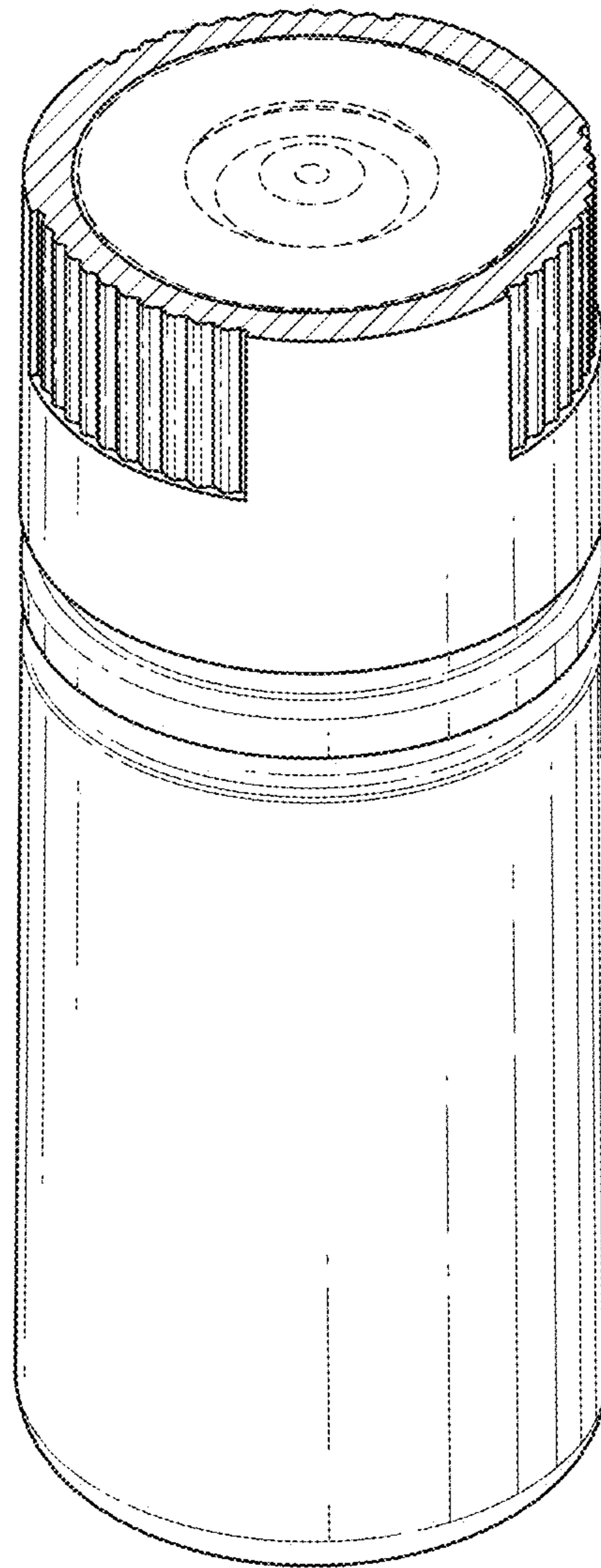


FIG. 10

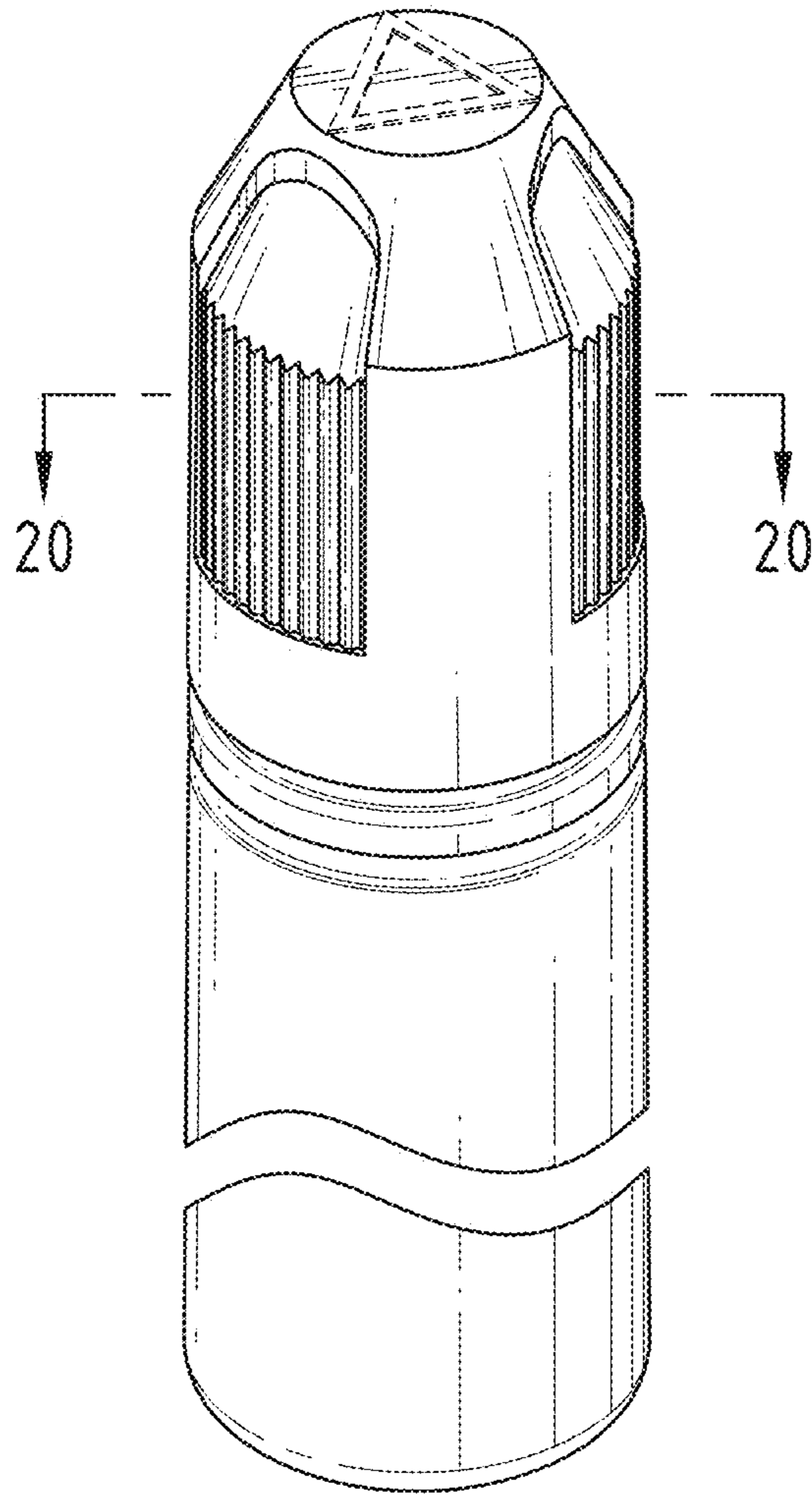


FIG. 11

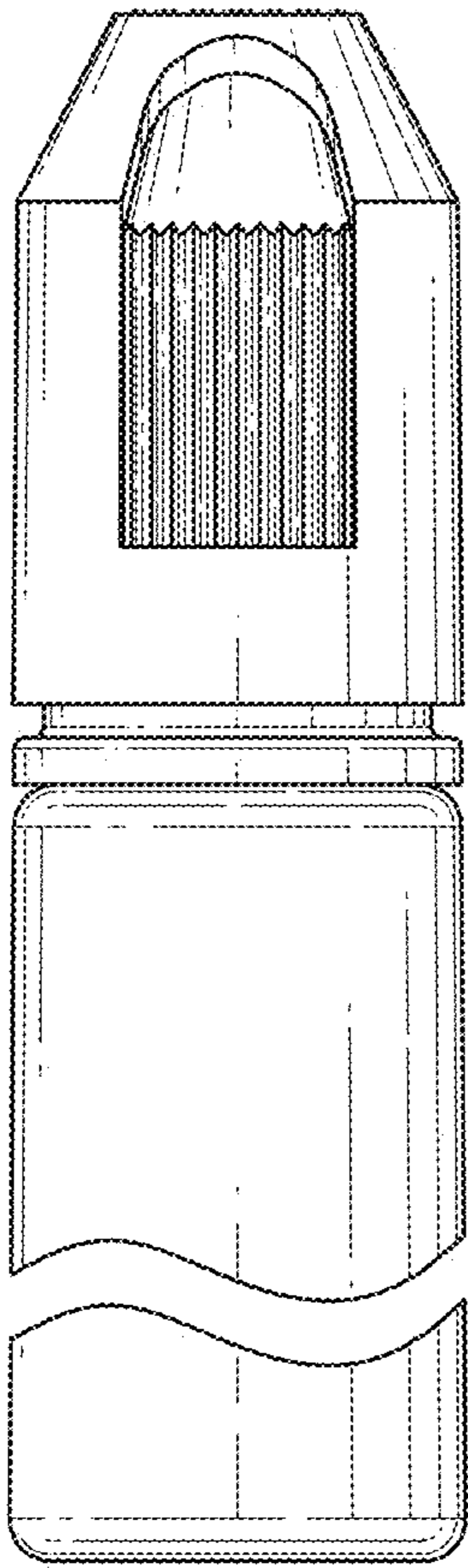


FIG. 12

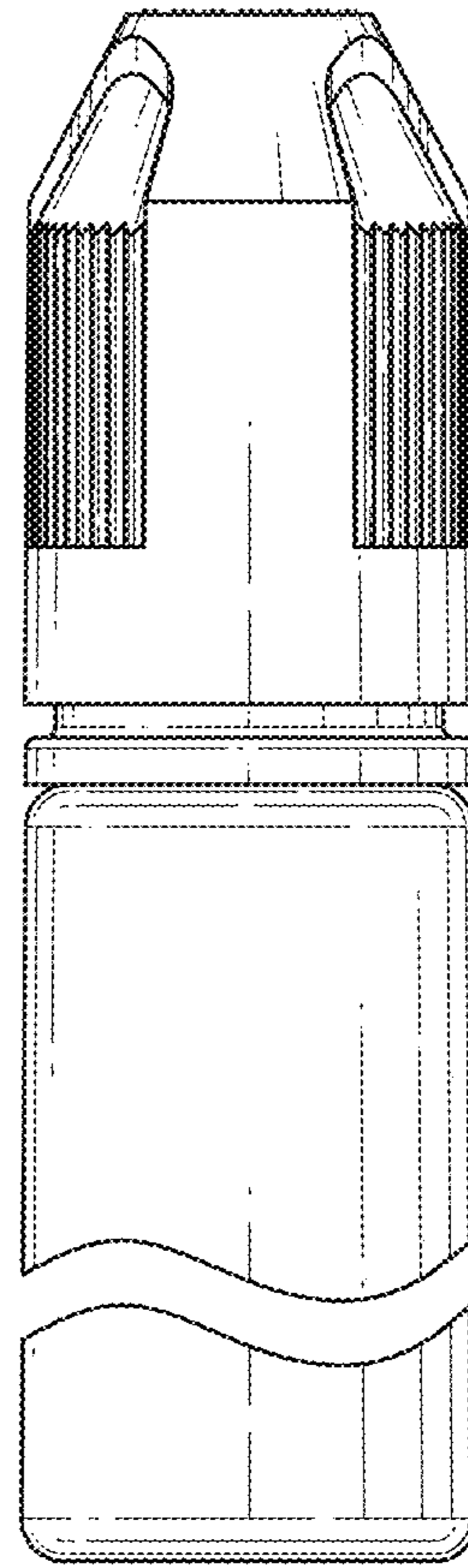


FIG. 13

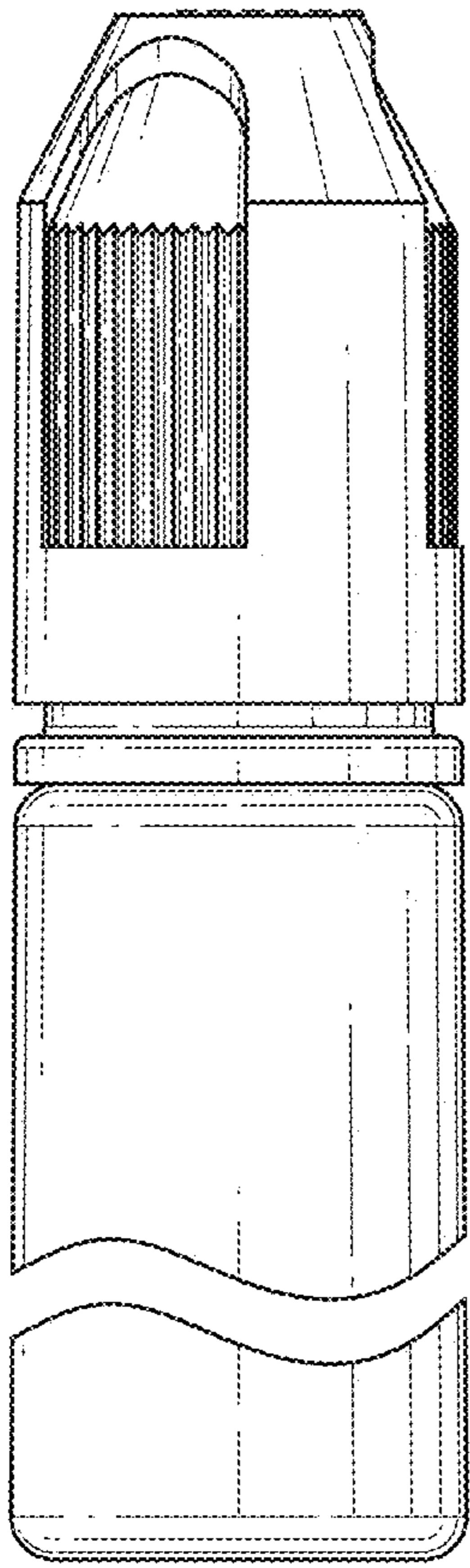


FIG. 14

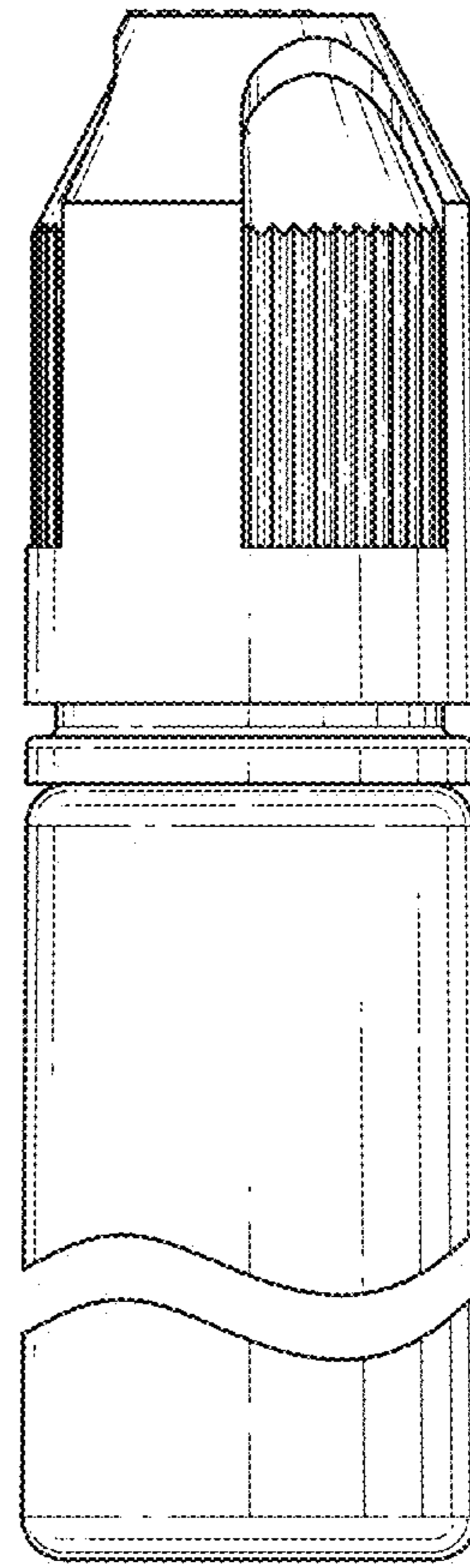


FIG. 15

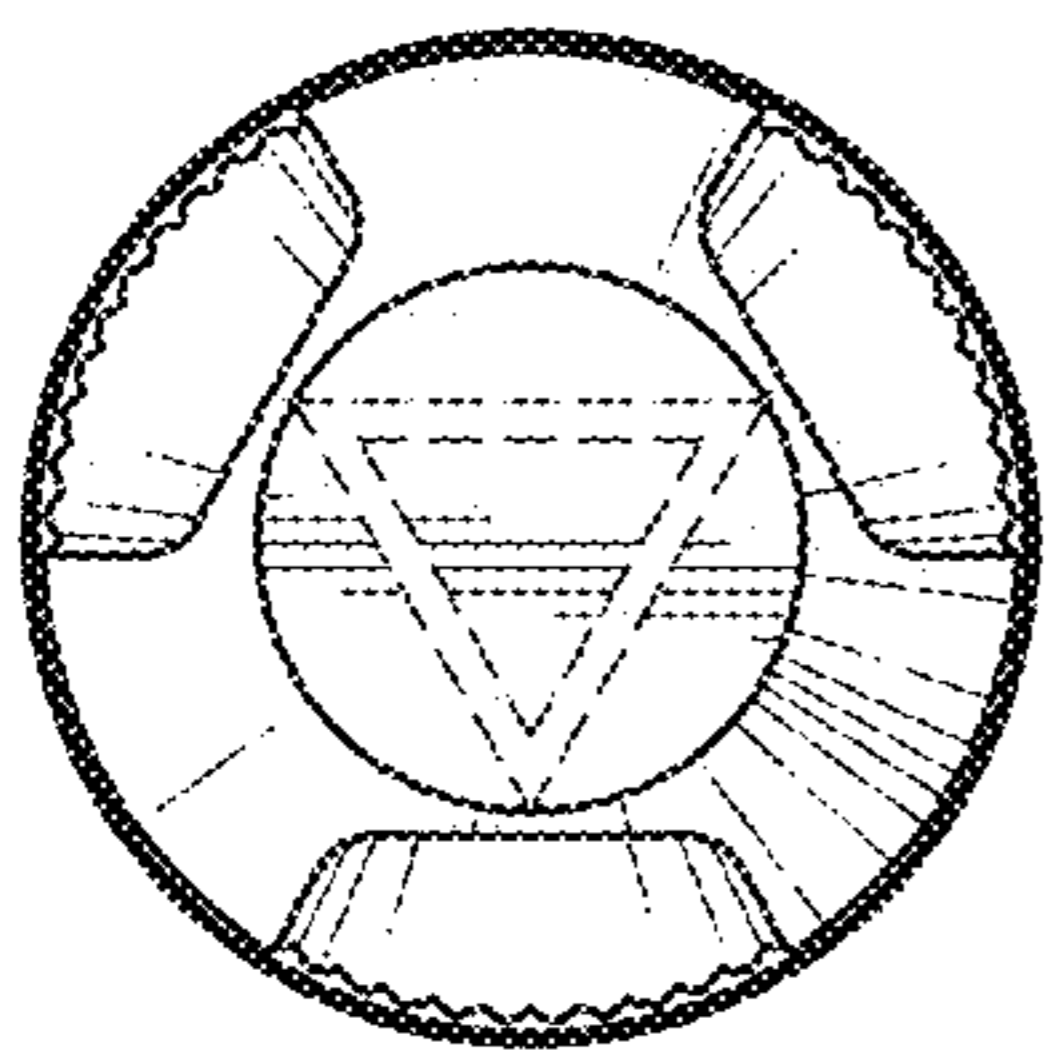


FIG. 16

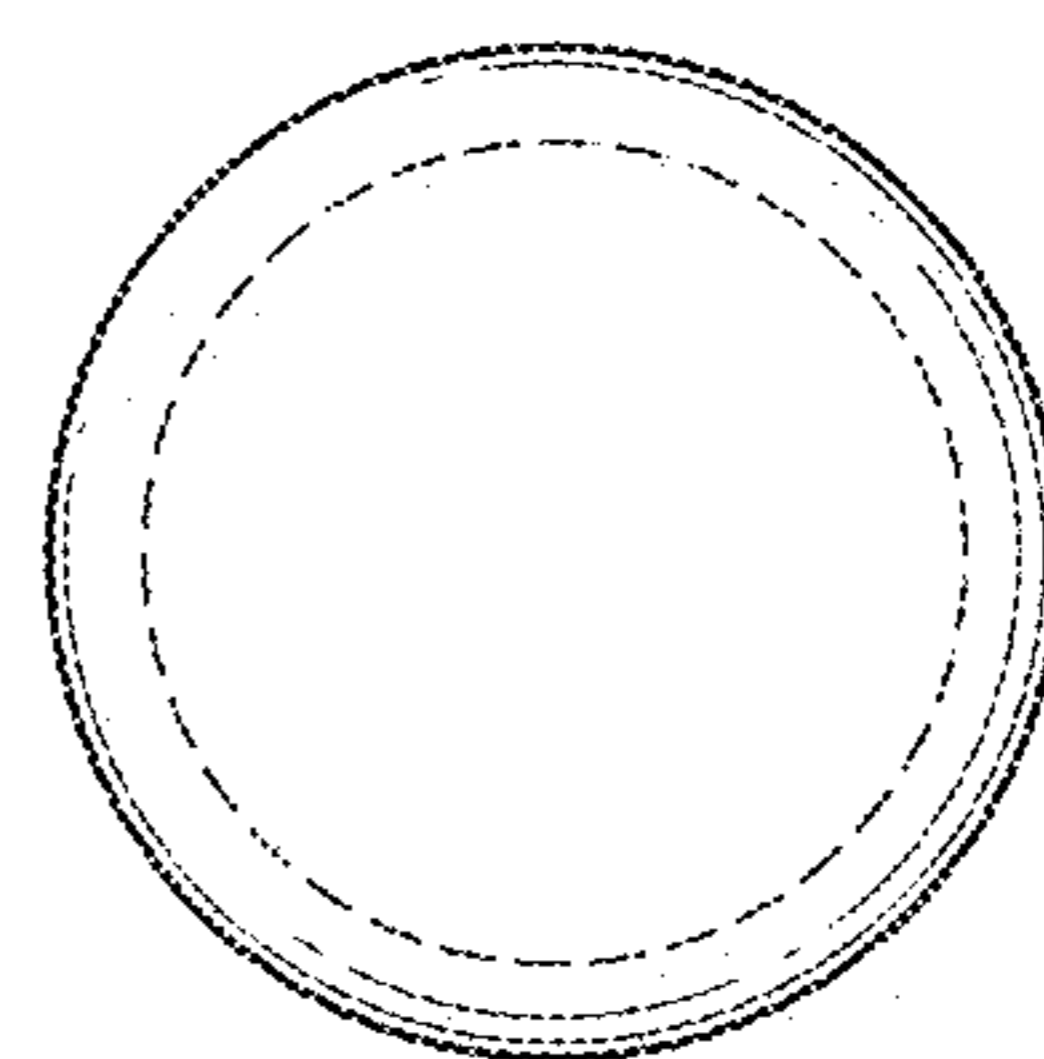


FIG. 17

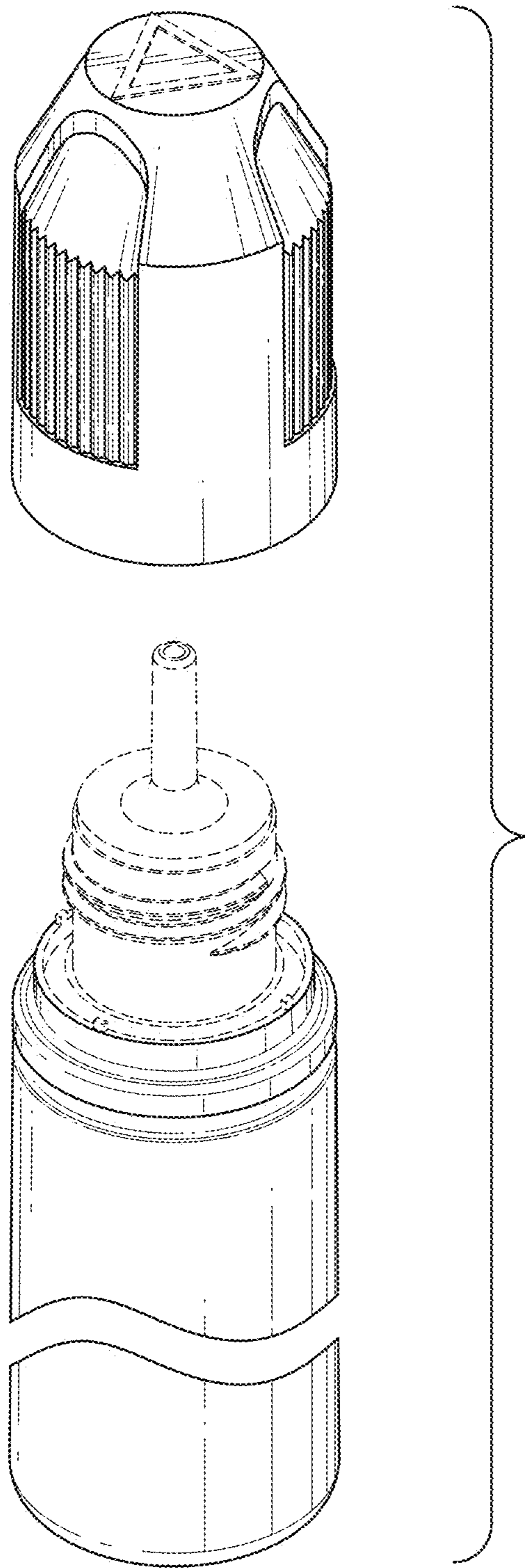


FIG. 18

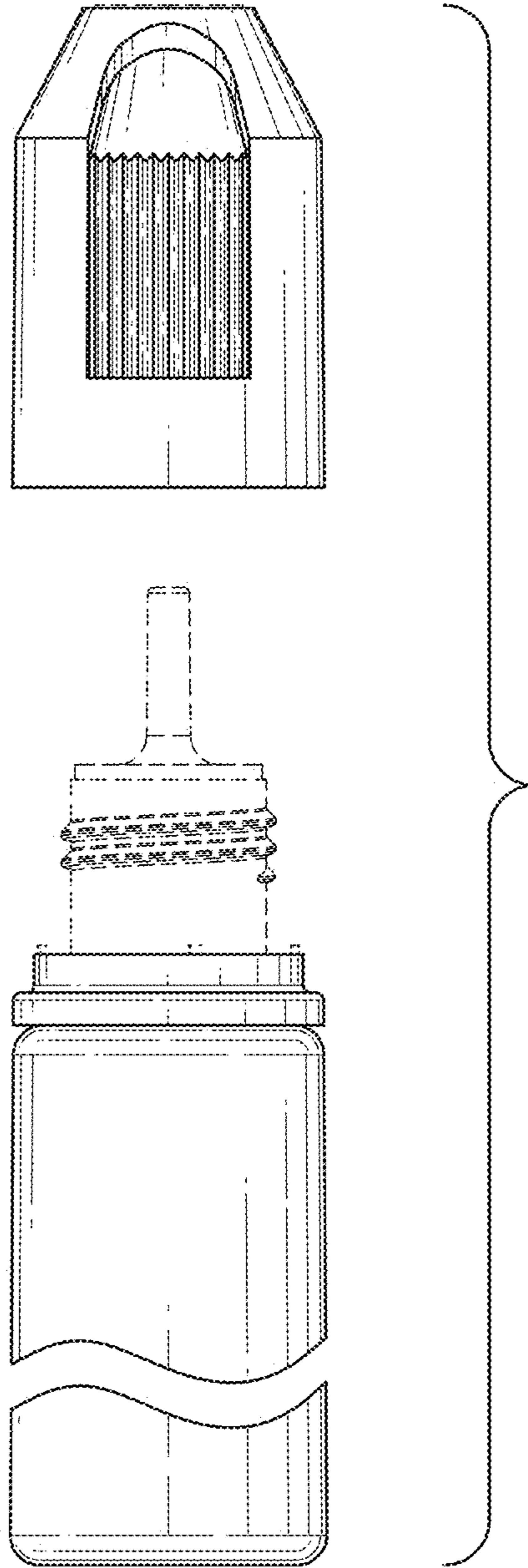


FIG. 19

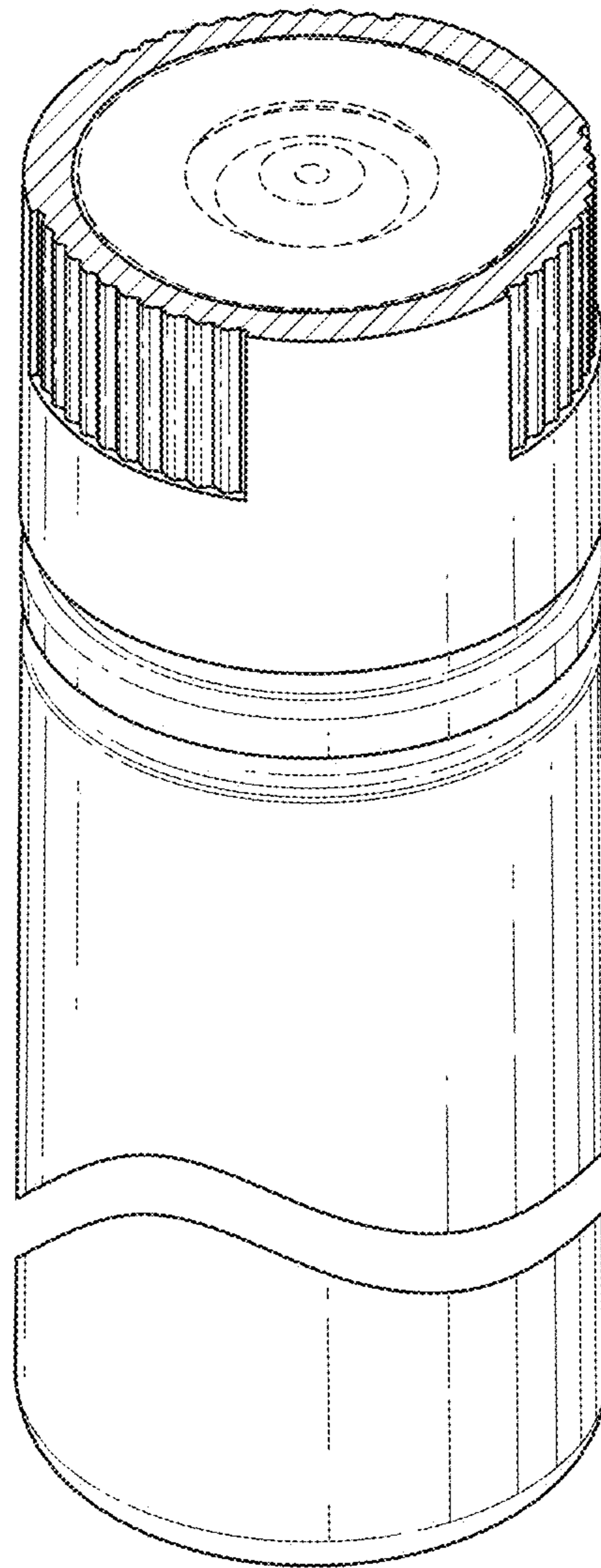


FIG. 20

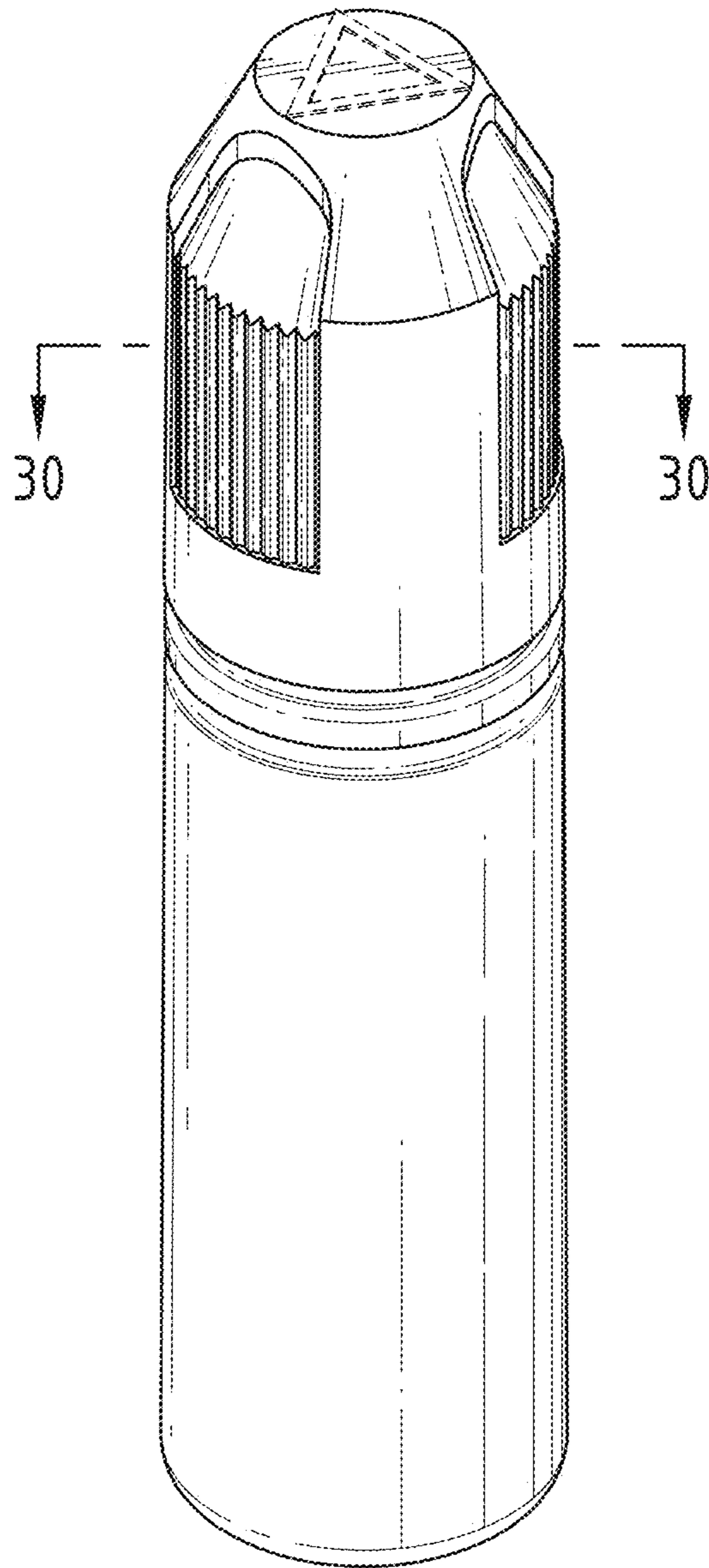


FIG. 21

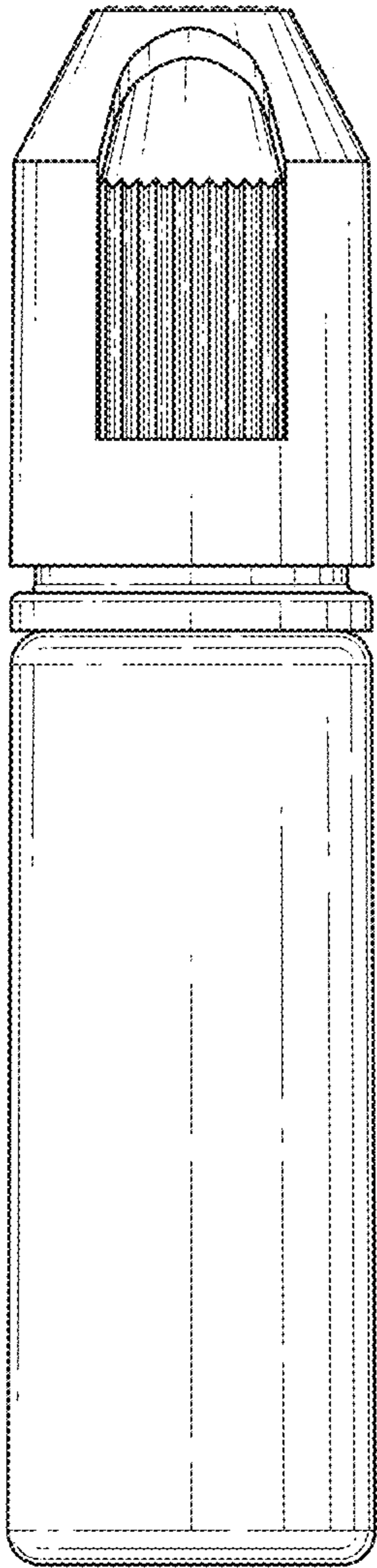


FIG. 22

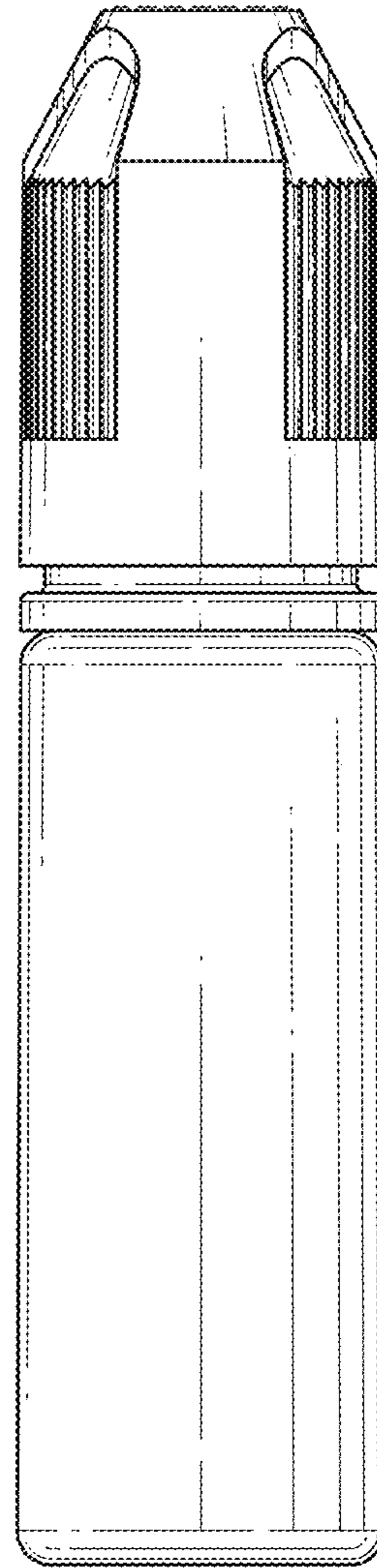


FIG. 23

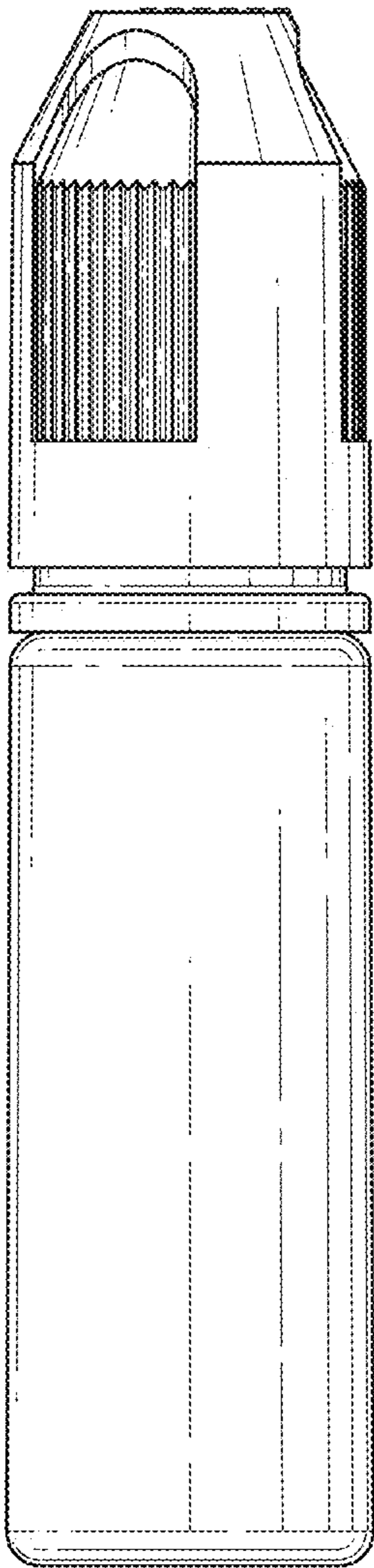


FIG. 24

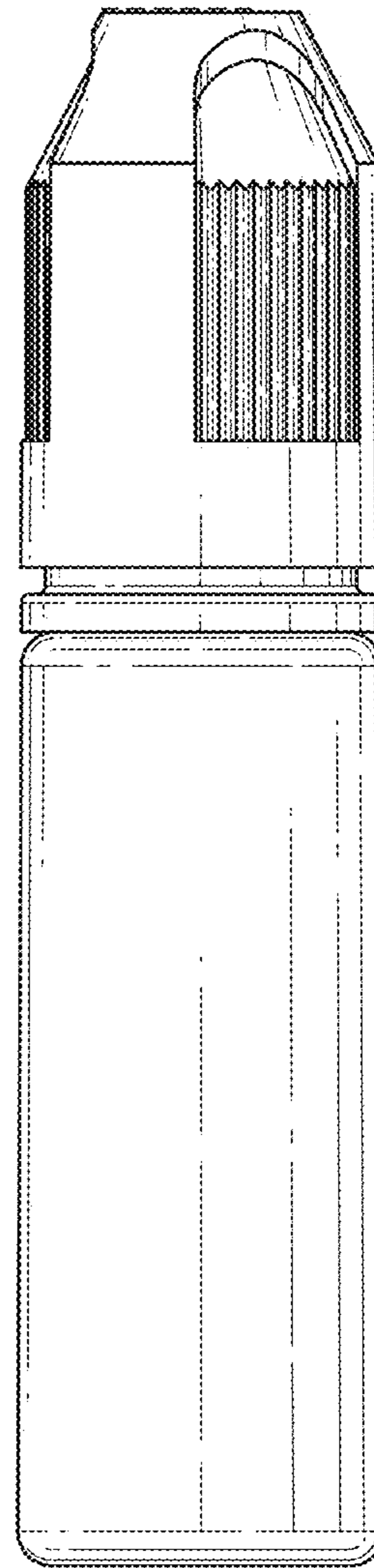


FIG. 25

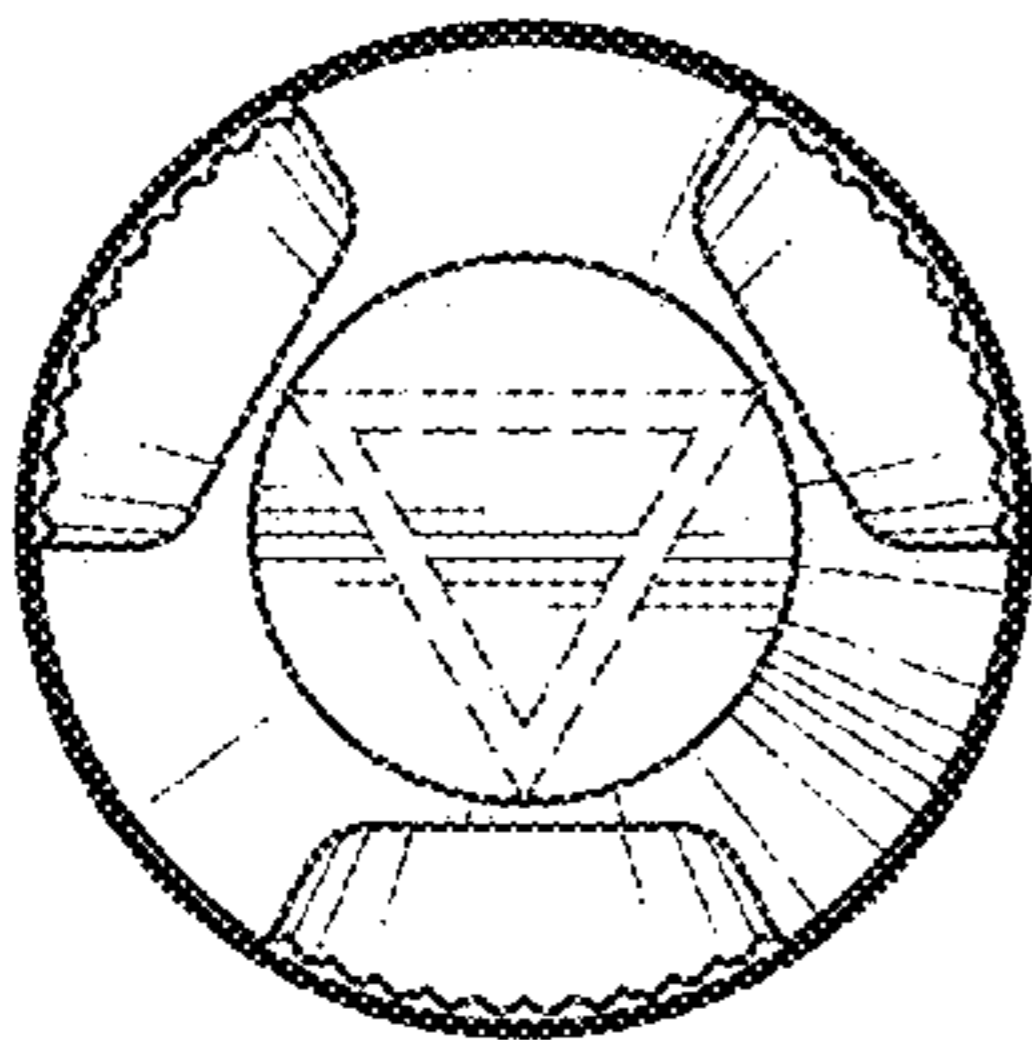


FIG. 26

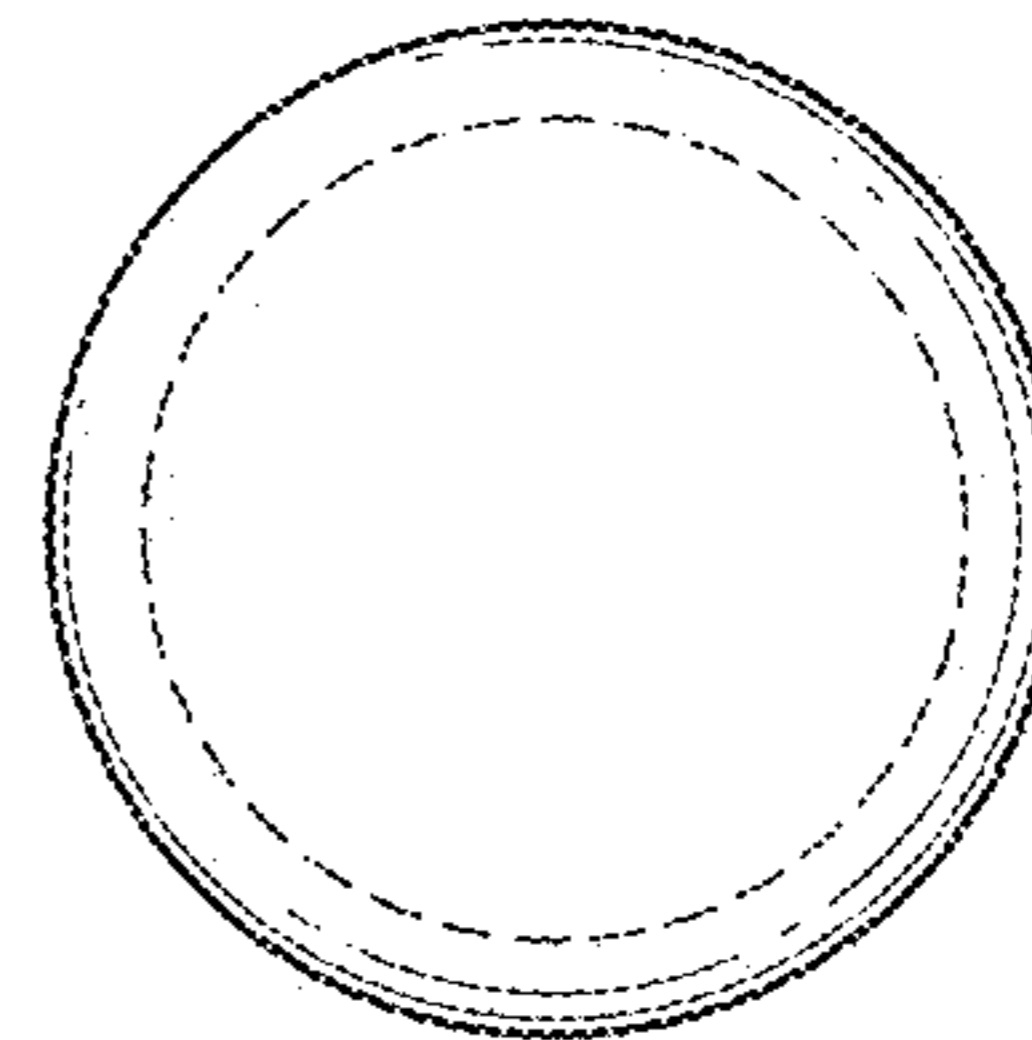


FIG. 27

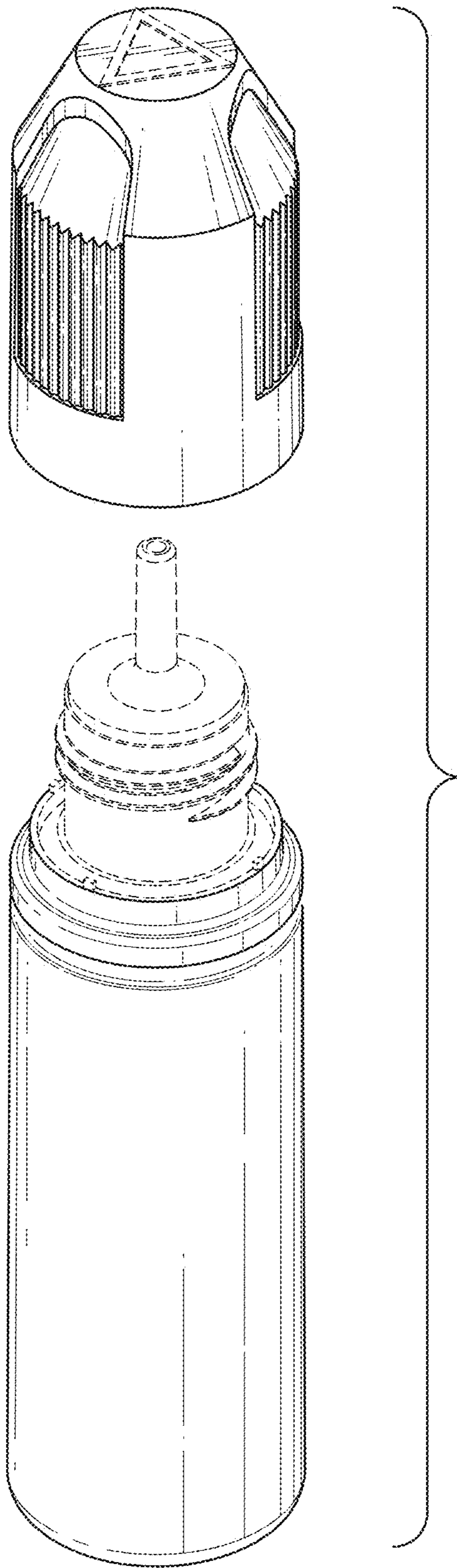


FIG. 28

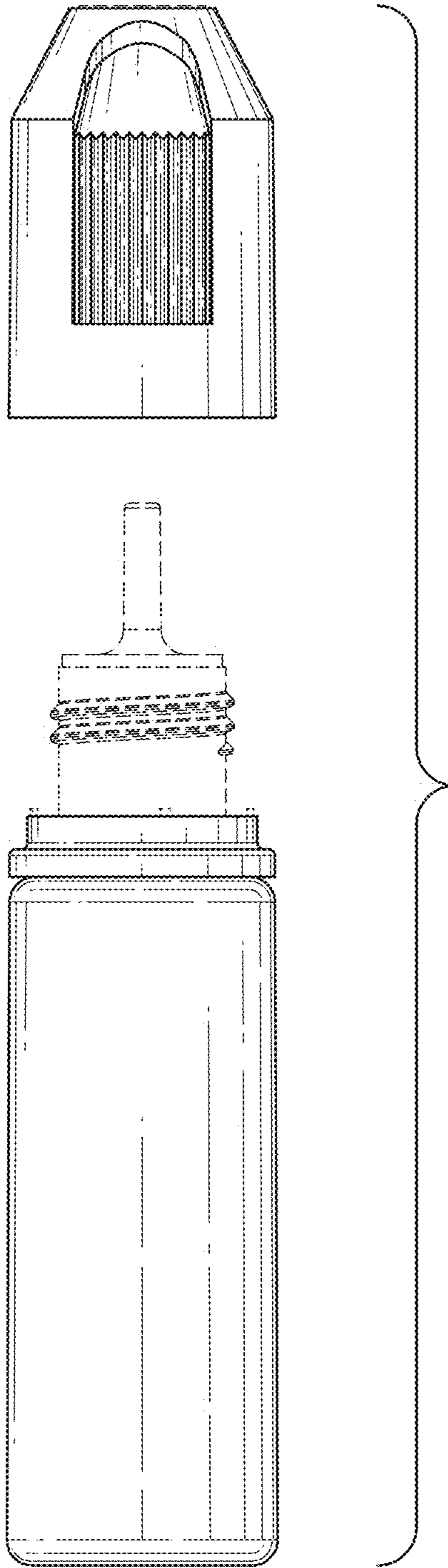


FIG. 29

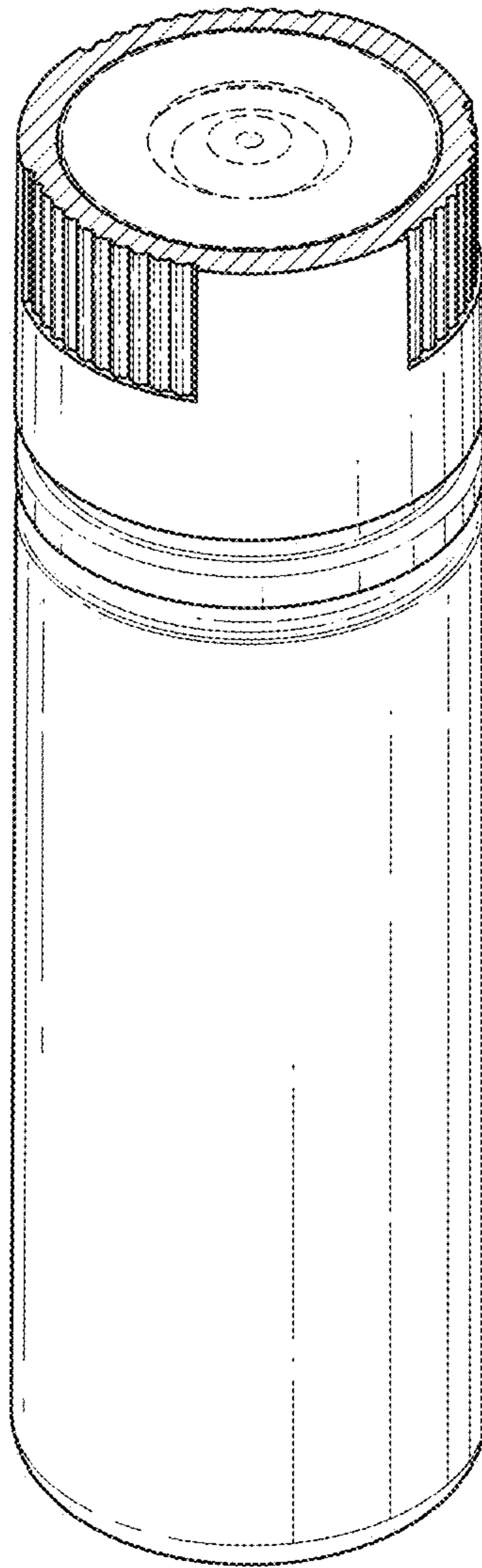


FIG. 30

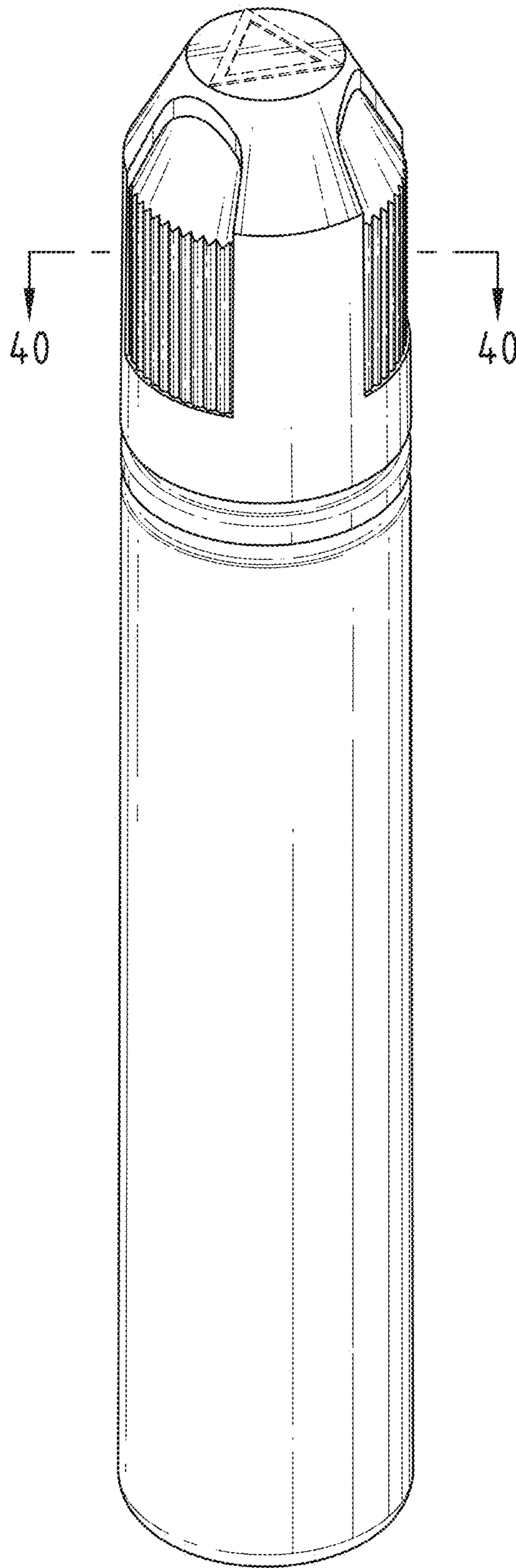


FIG. 31

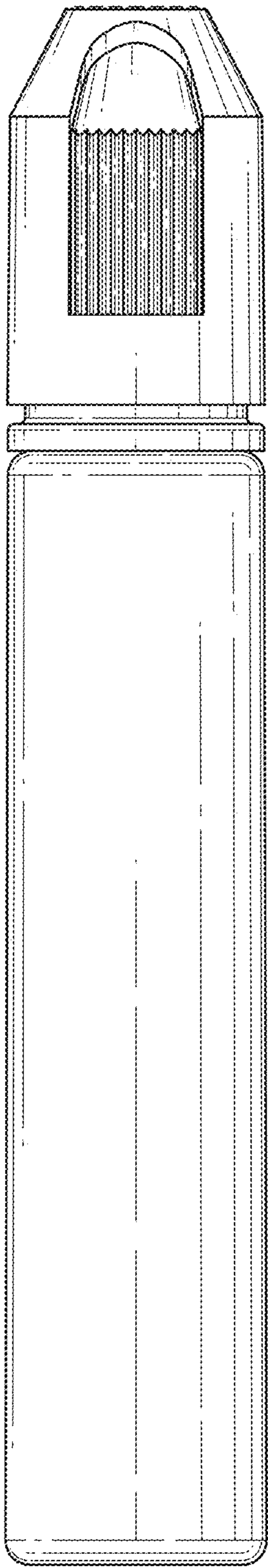


FIG. 32

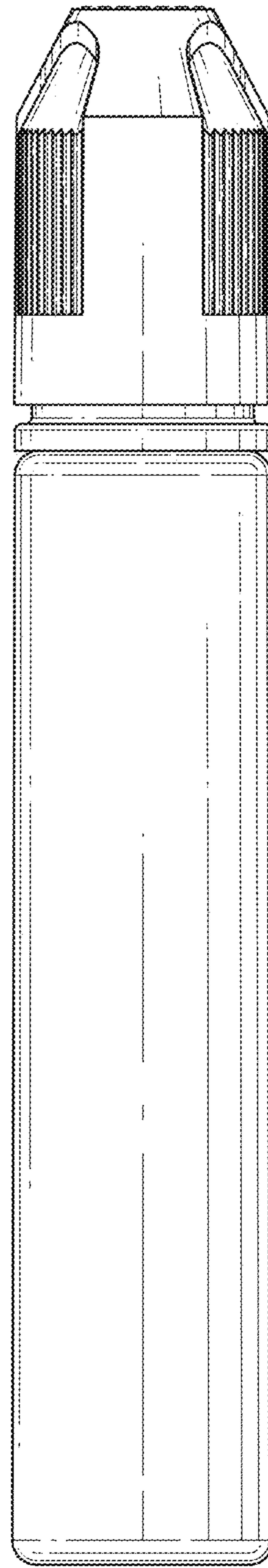


FIG. 33

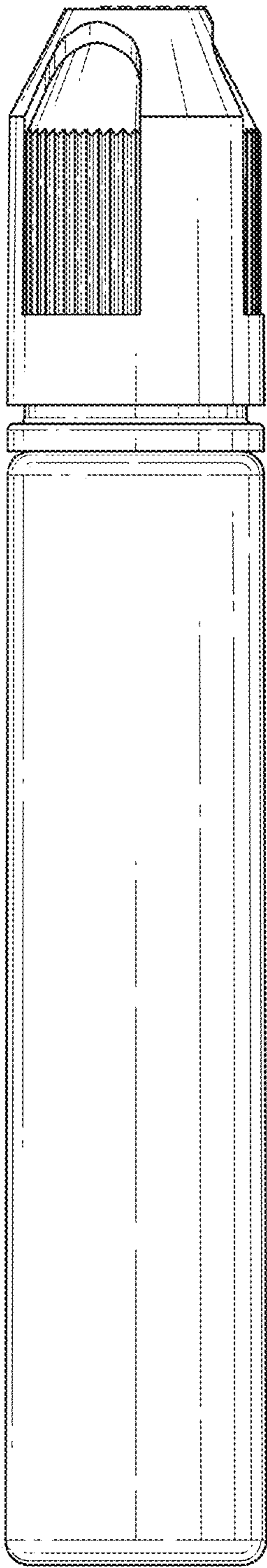


FIG. 34

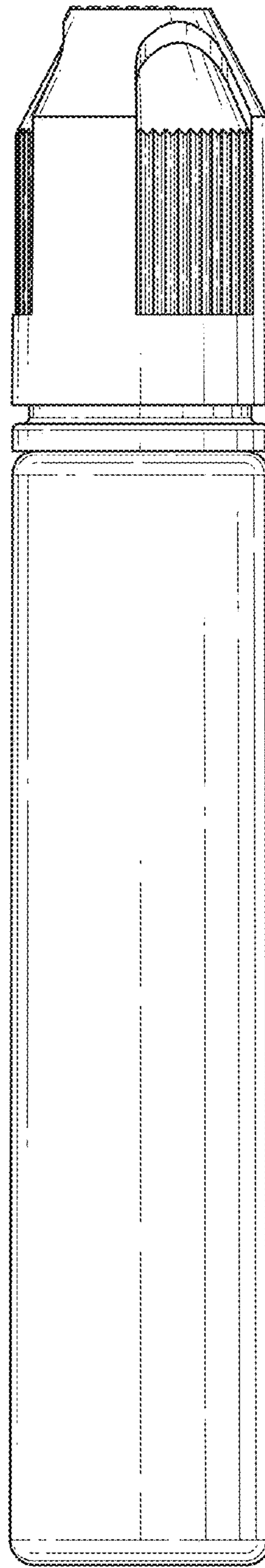


FIG. 35

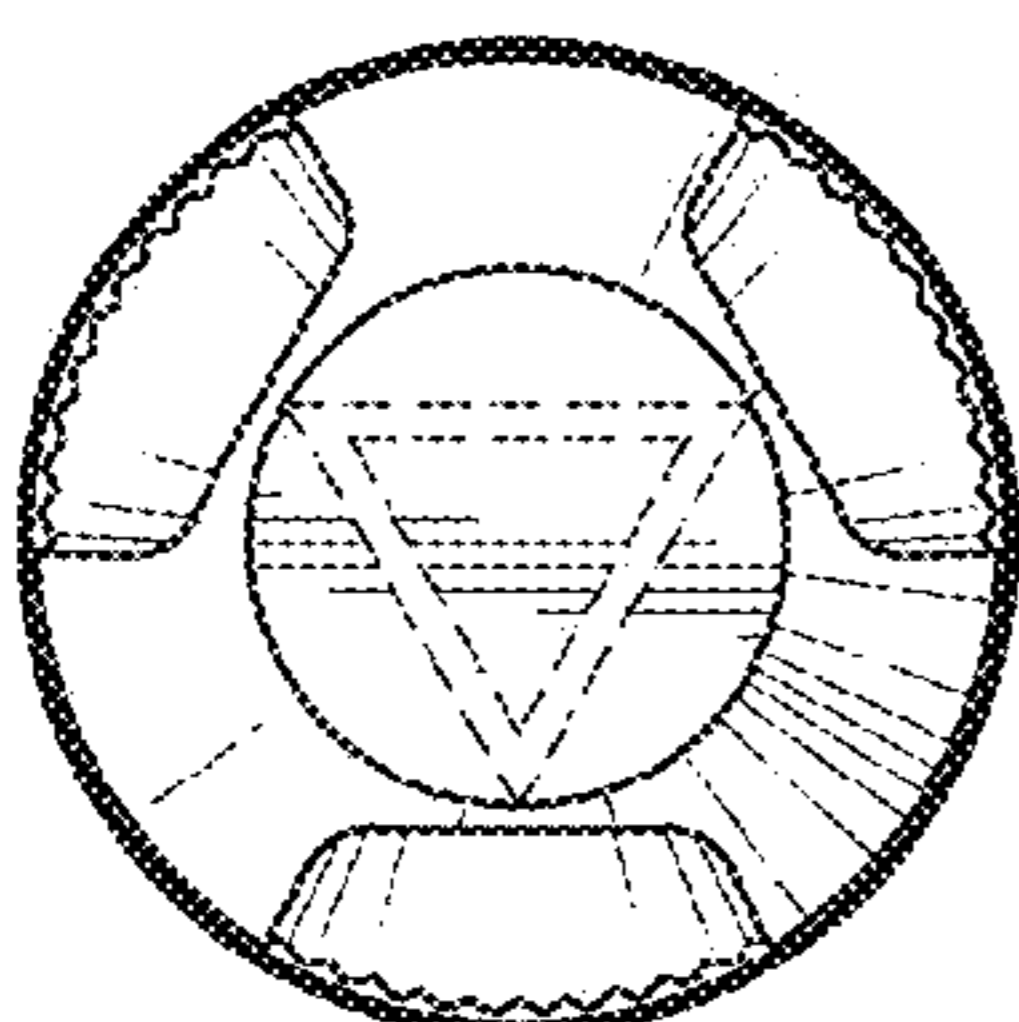


FIG. 36

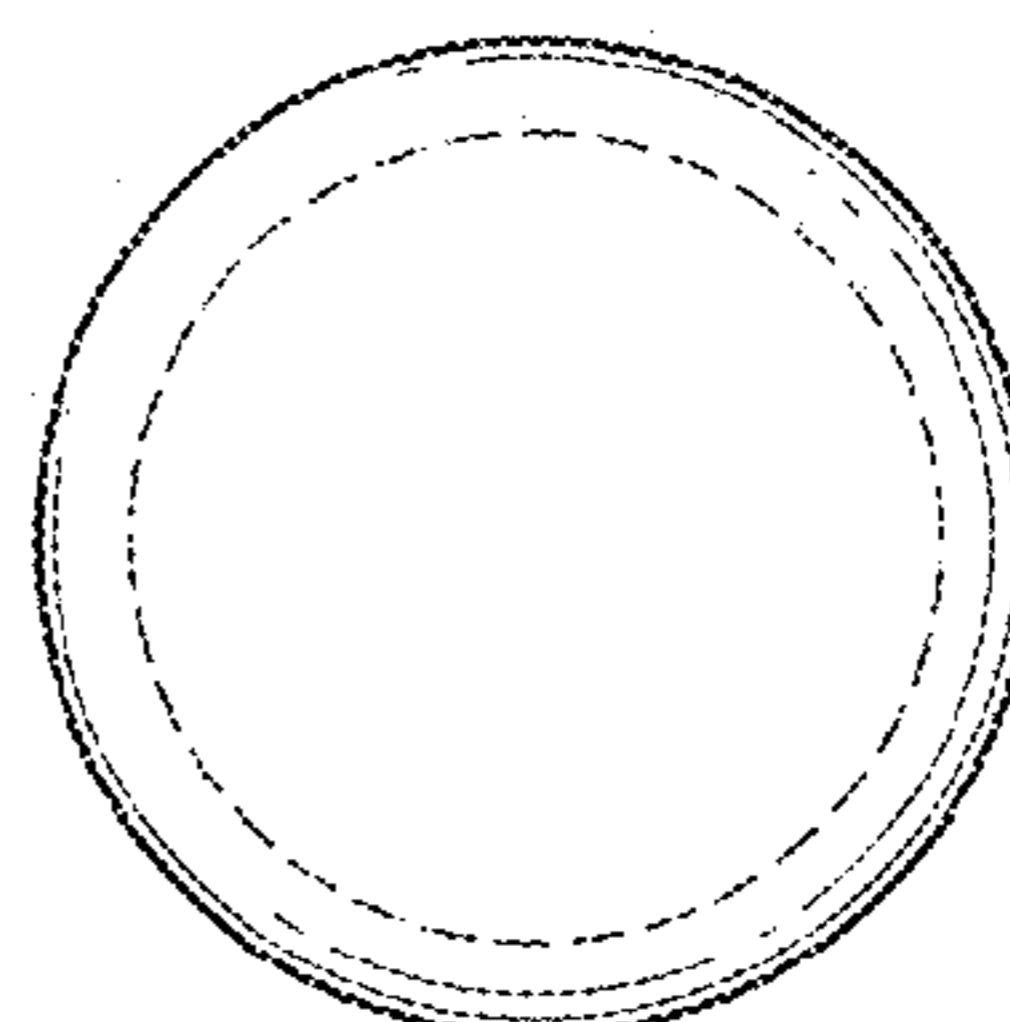


FIG. 37

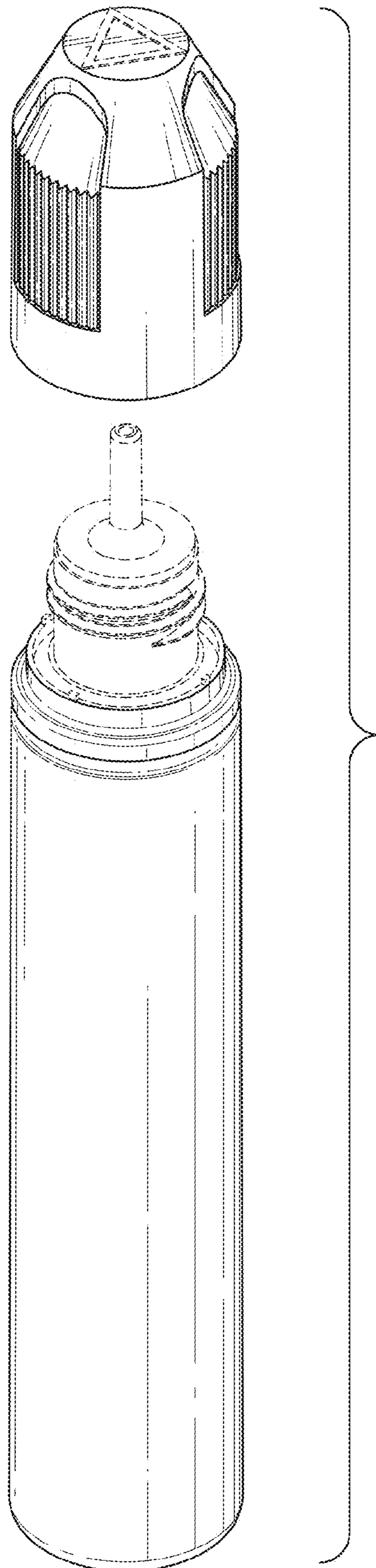


FIG. 38

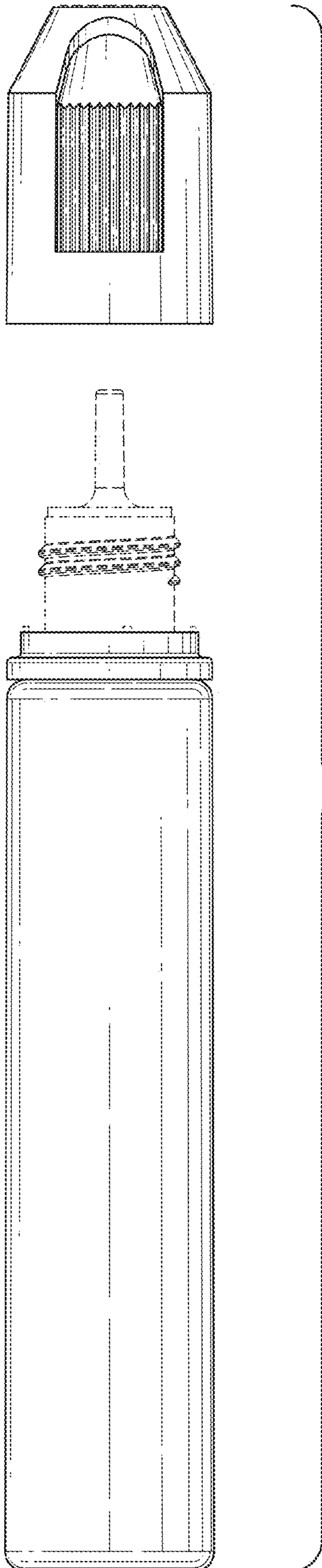


FIG. 39

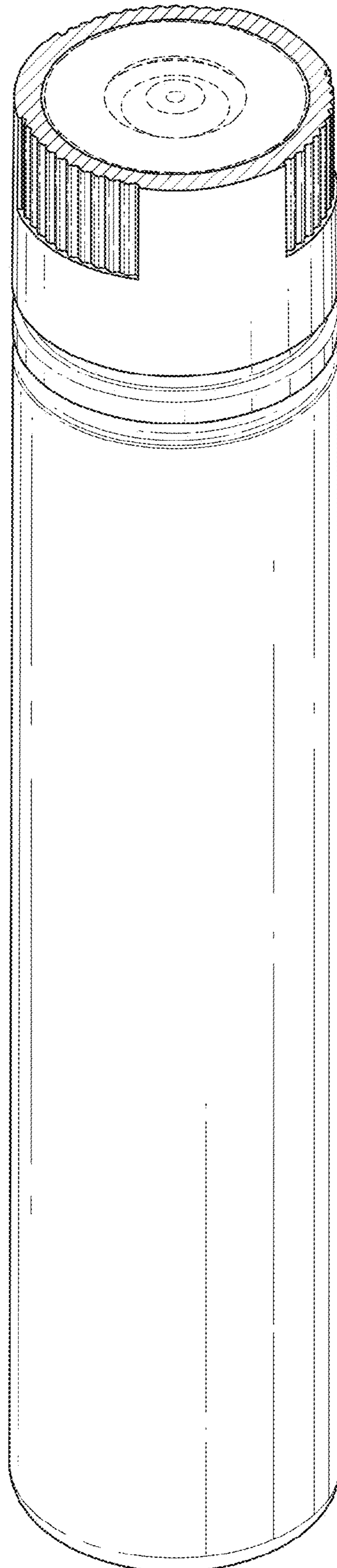


FIG. 40

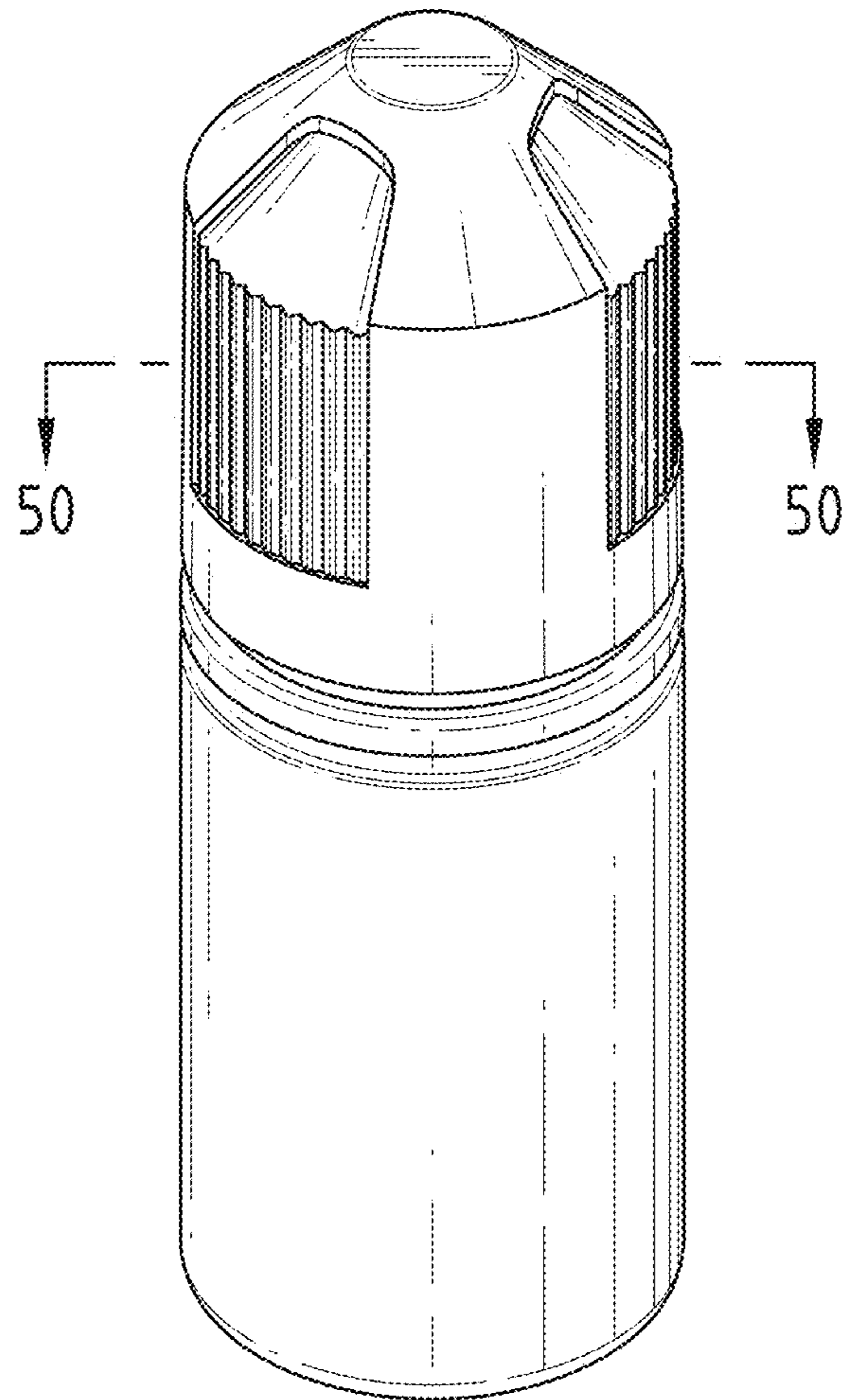


FIG. 41

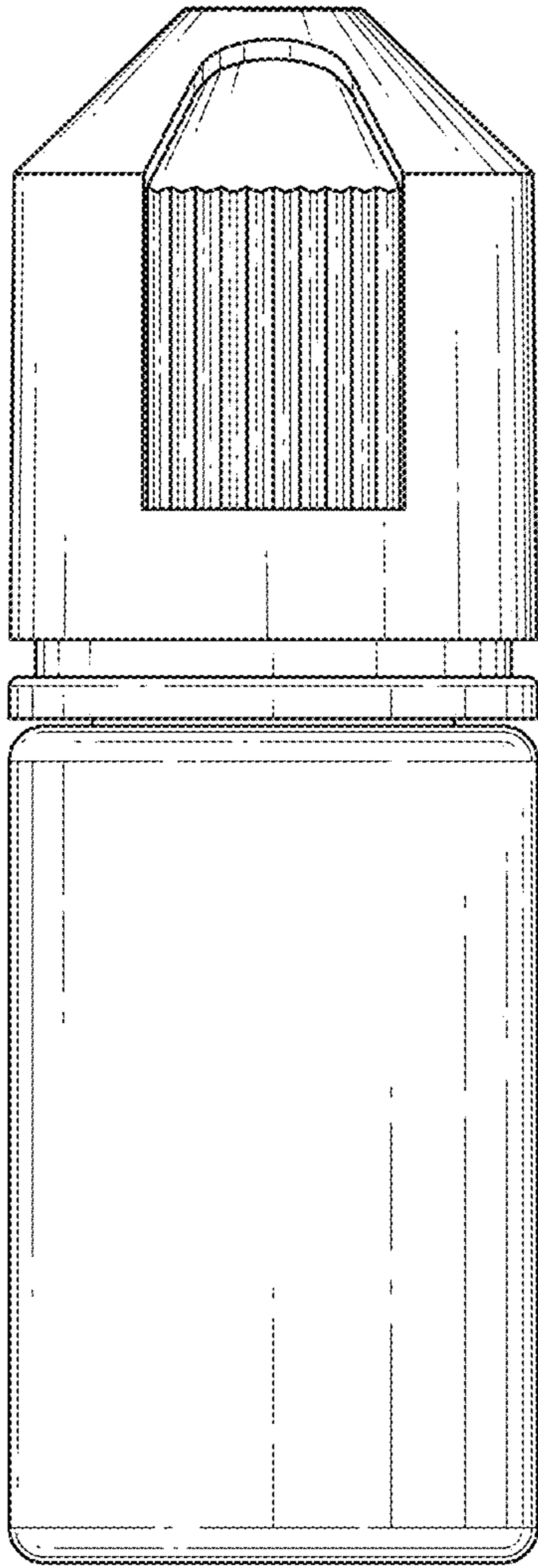


FIG. 42

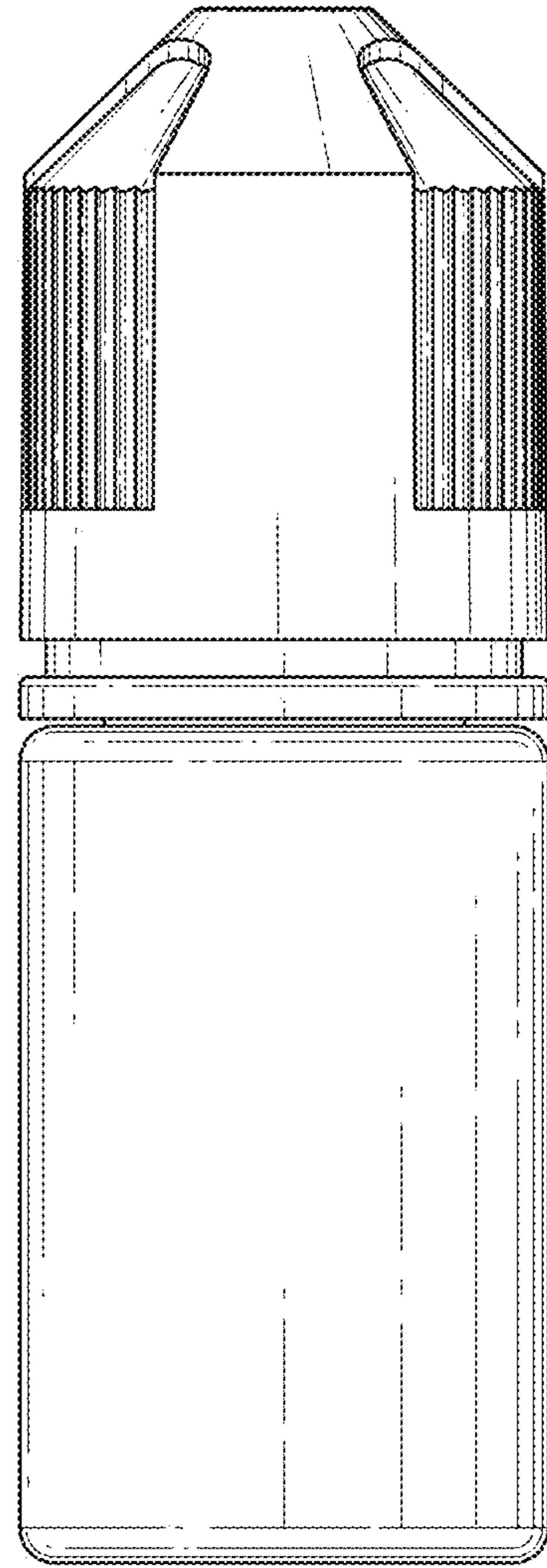


FIG. 43

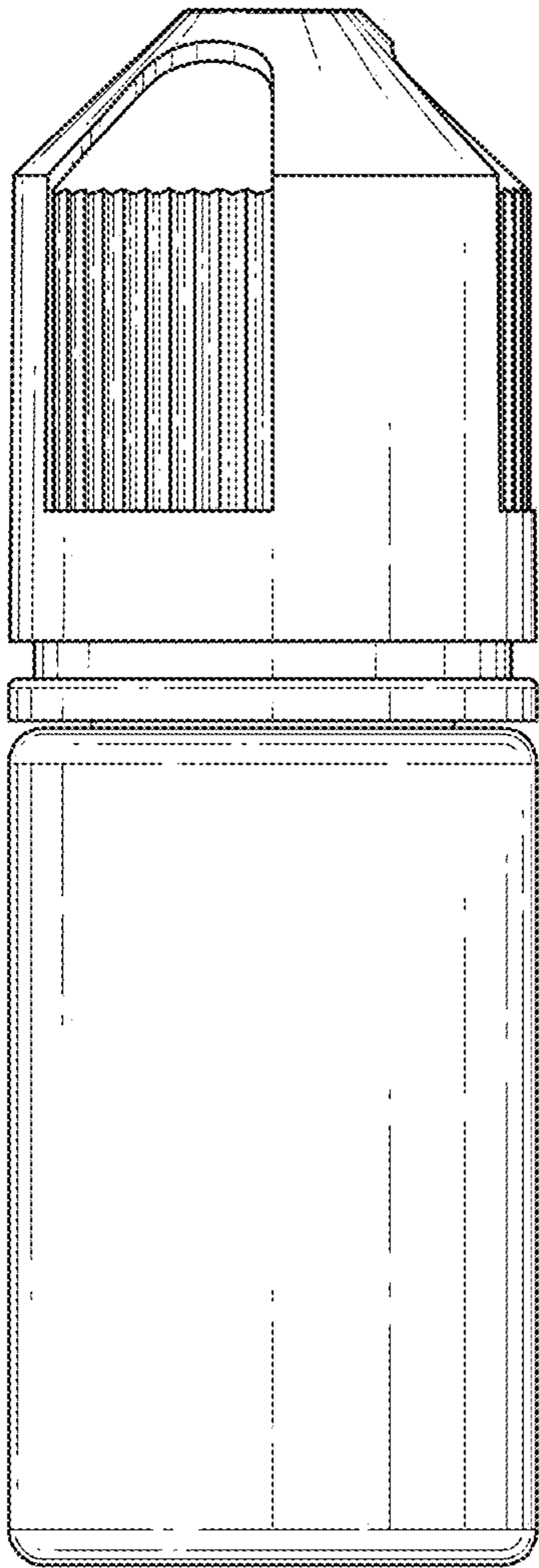


FIG. 44

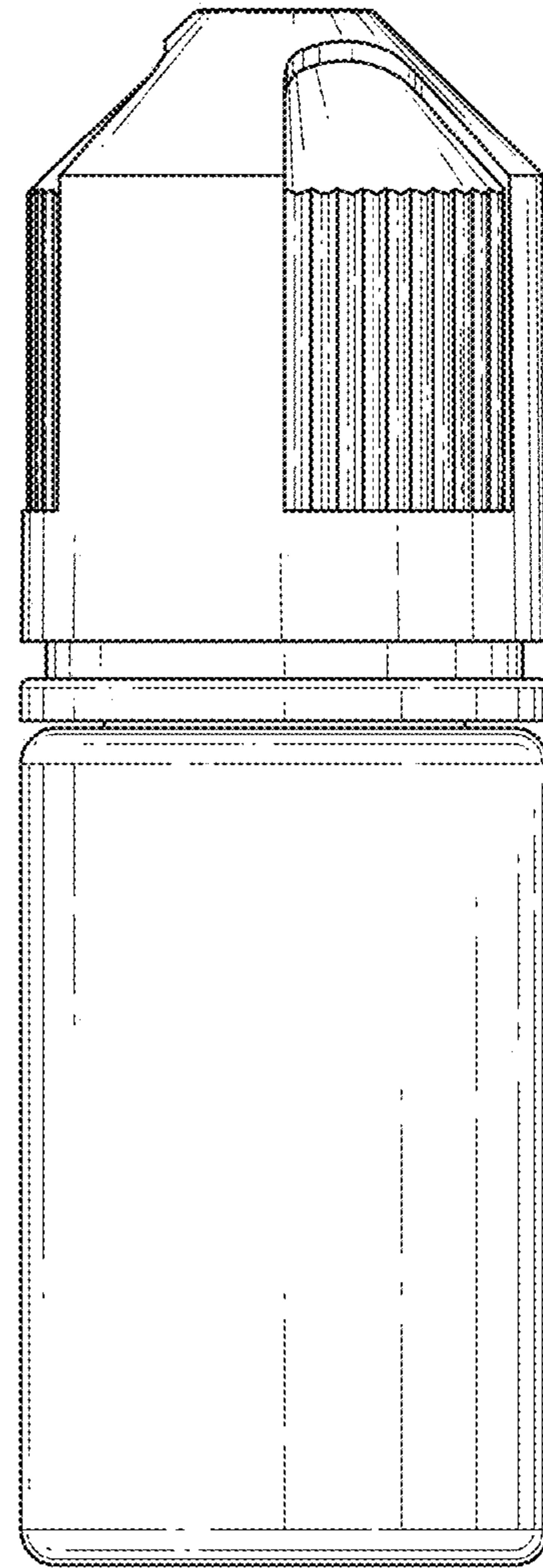


FIG. 45

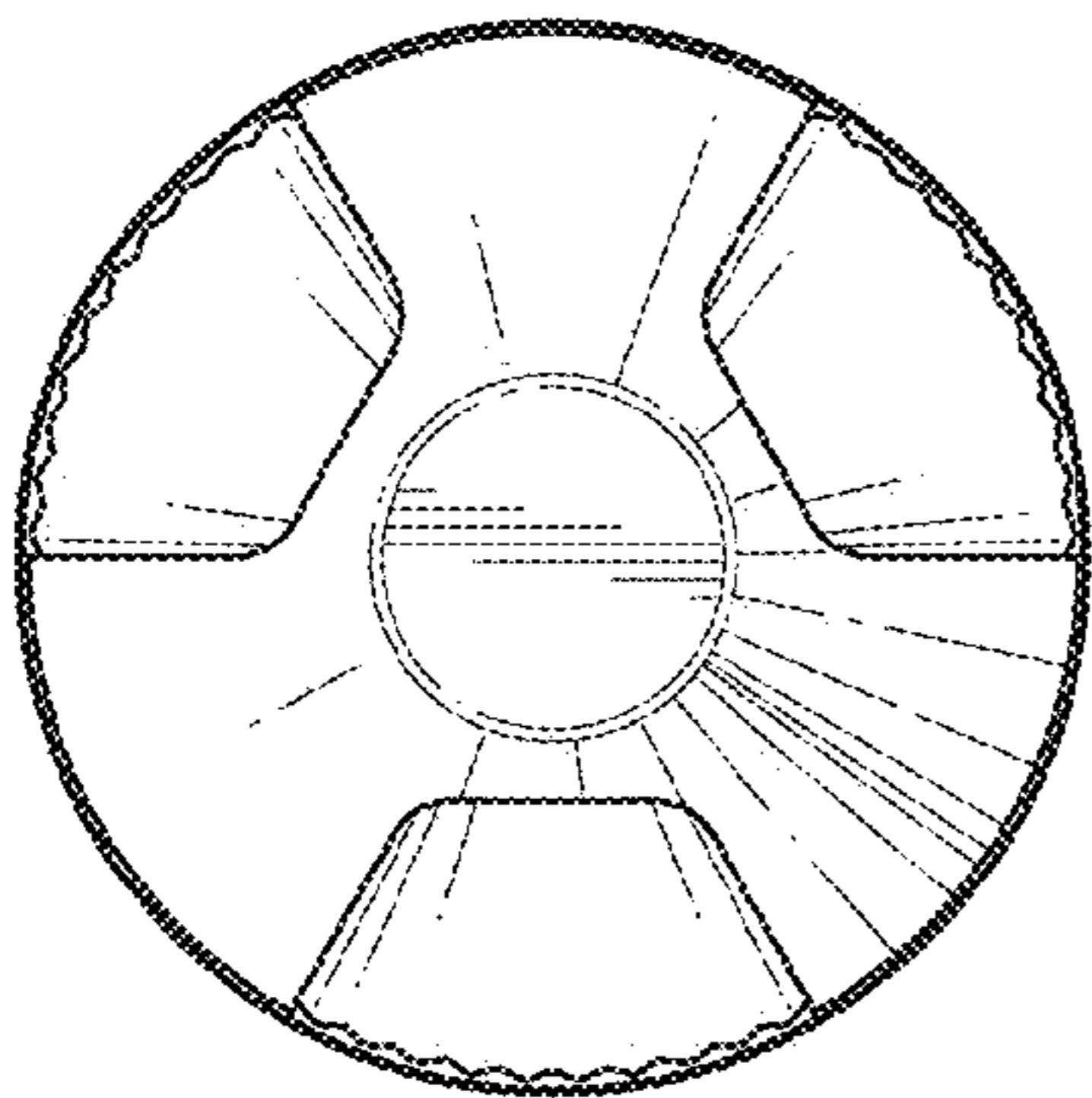


FIG. 46

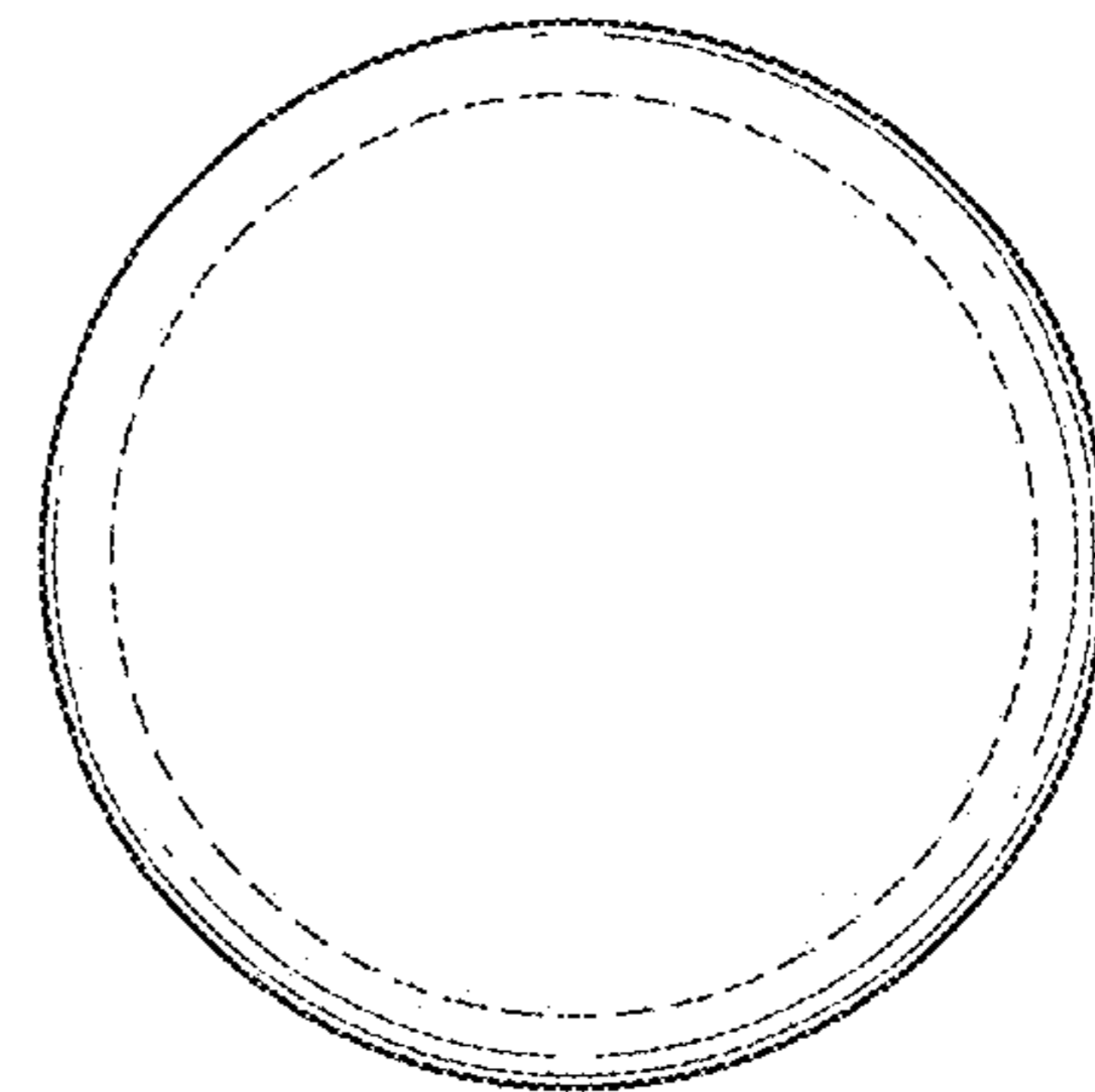


FIG. 47

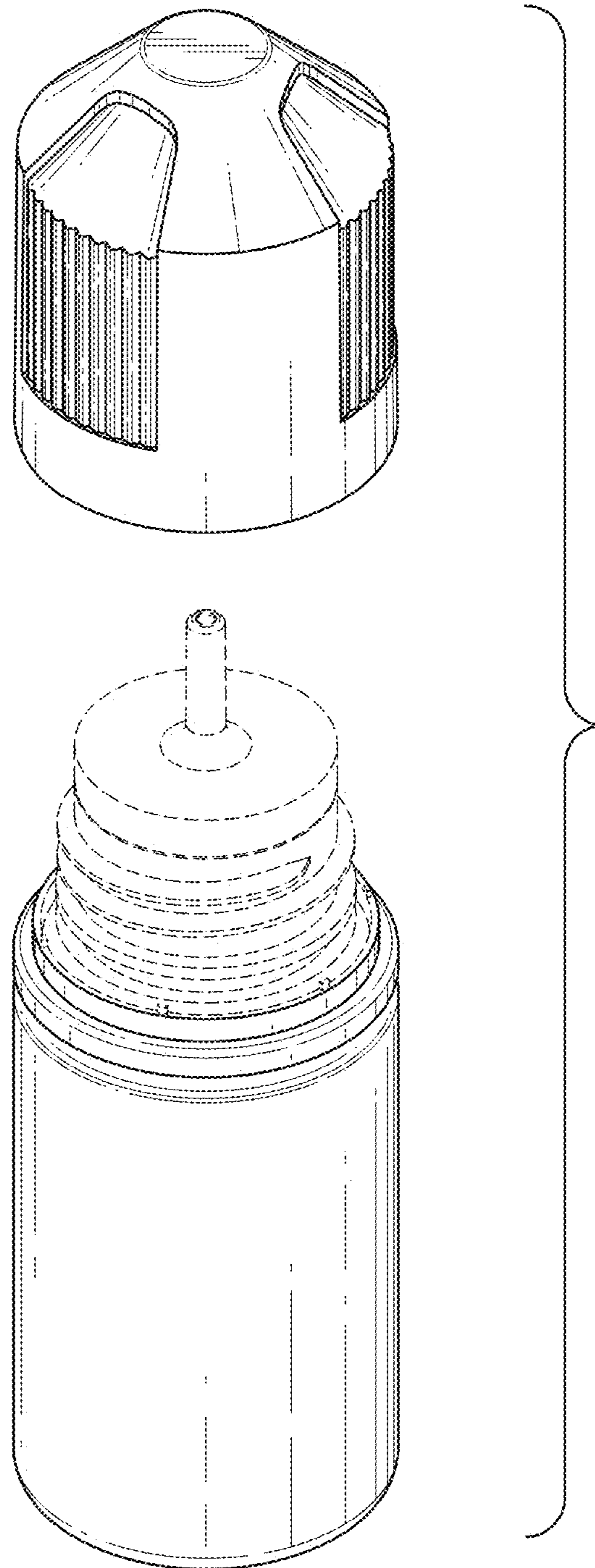


FIG. 48

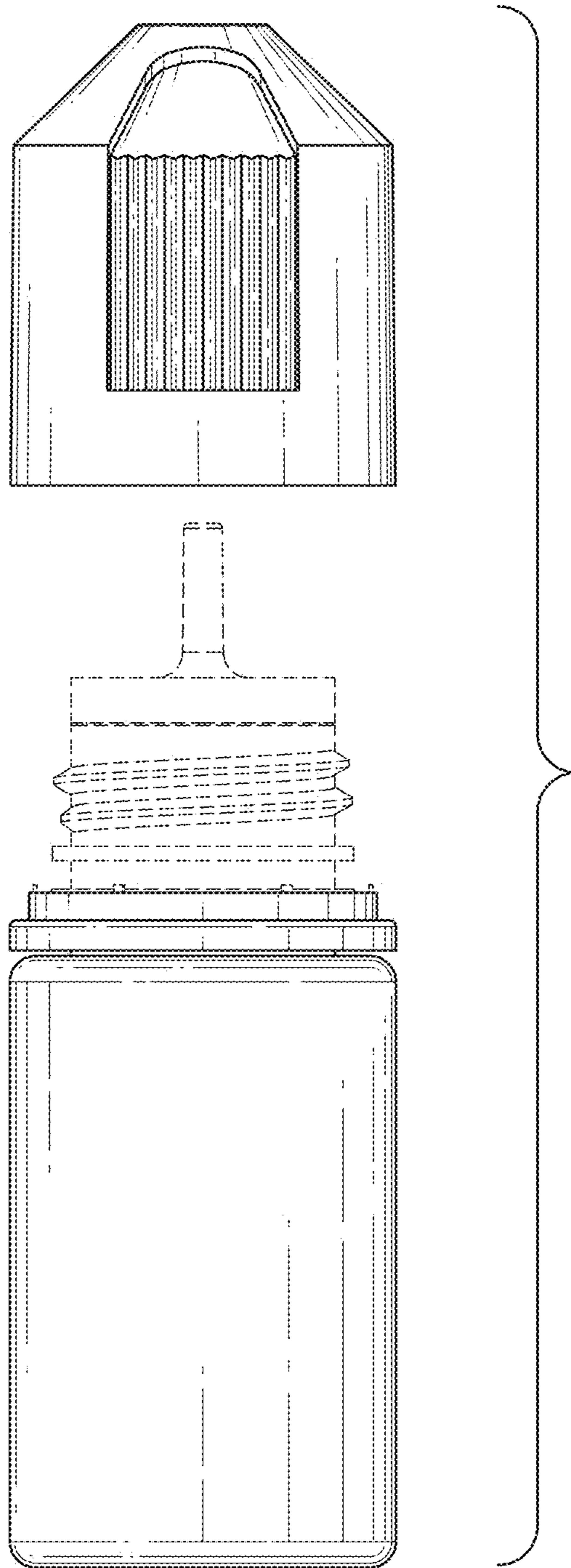


FIG. 49

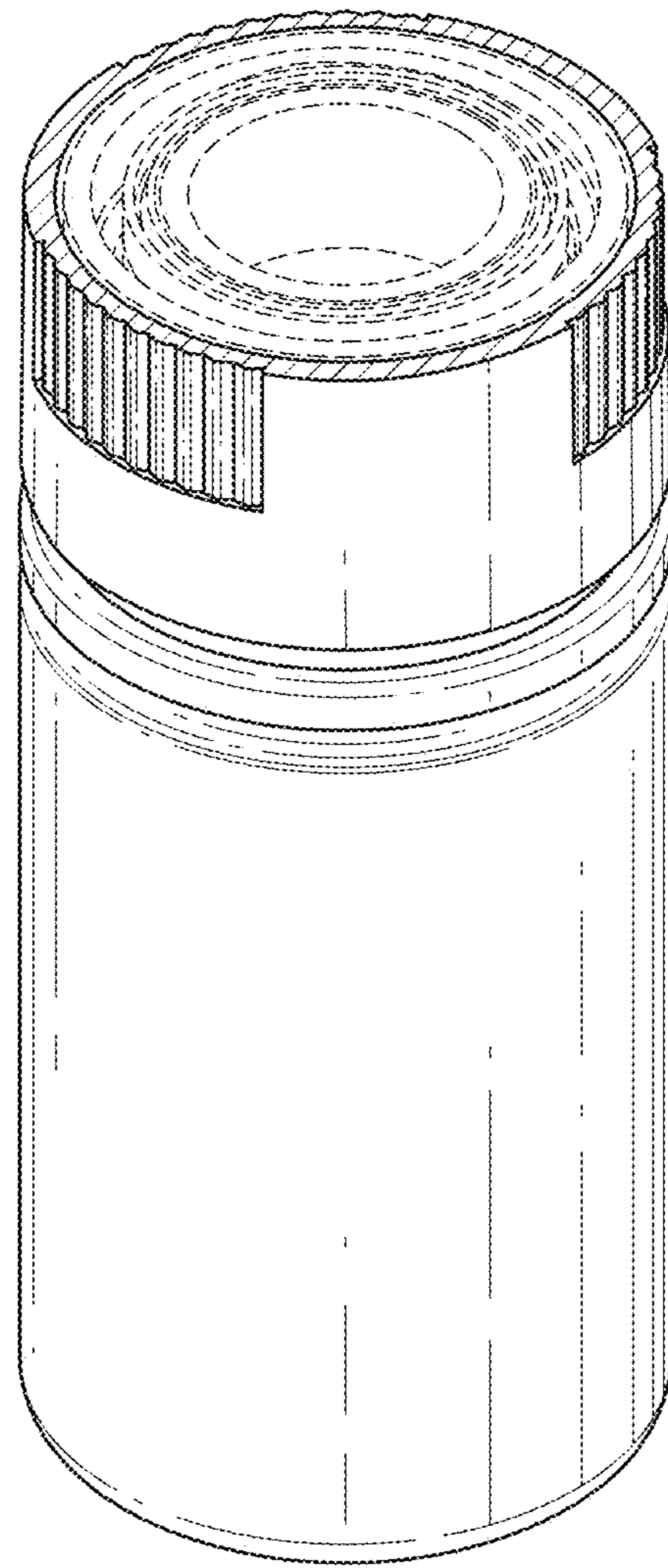


FIG. 50

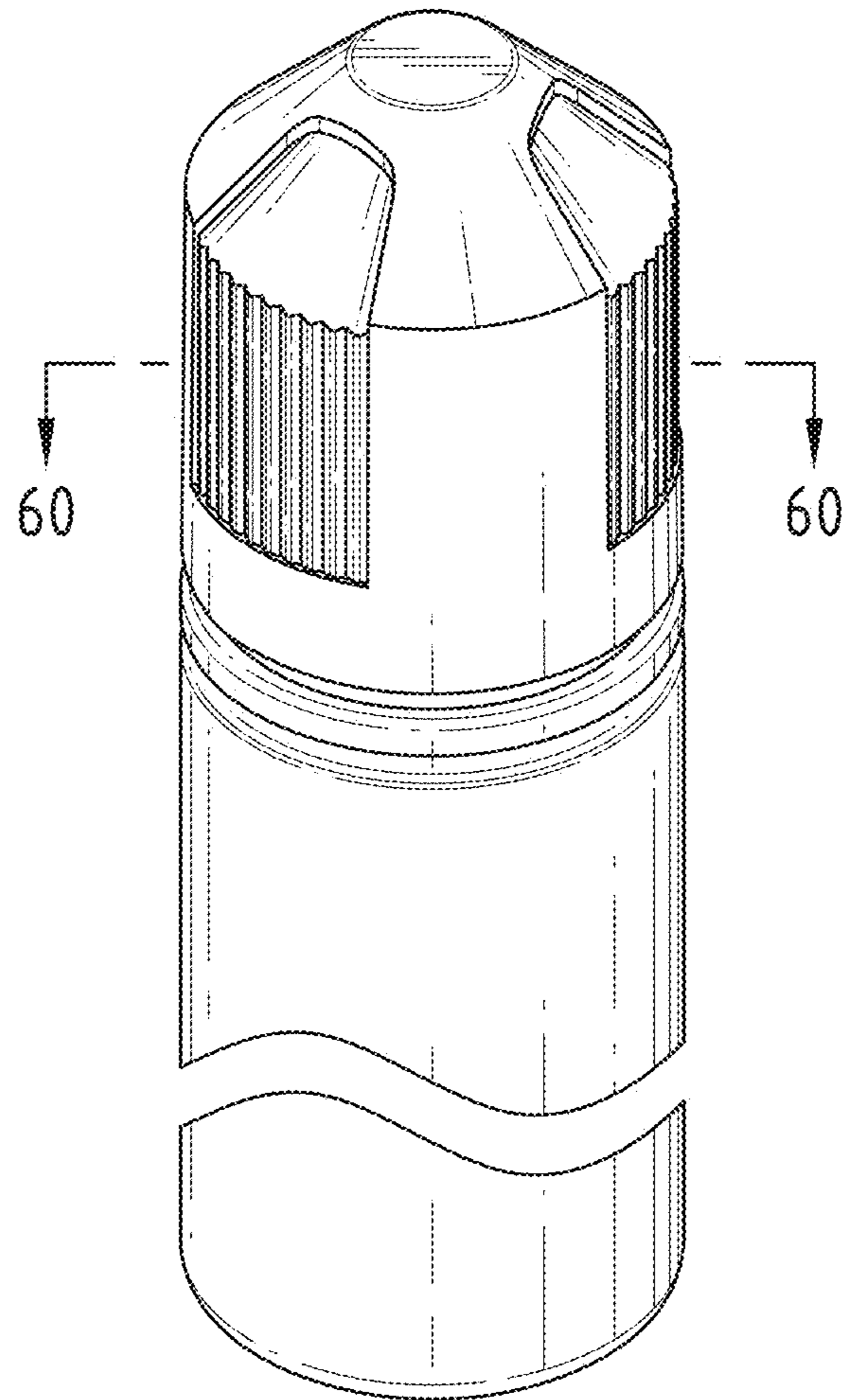


FIG. 51

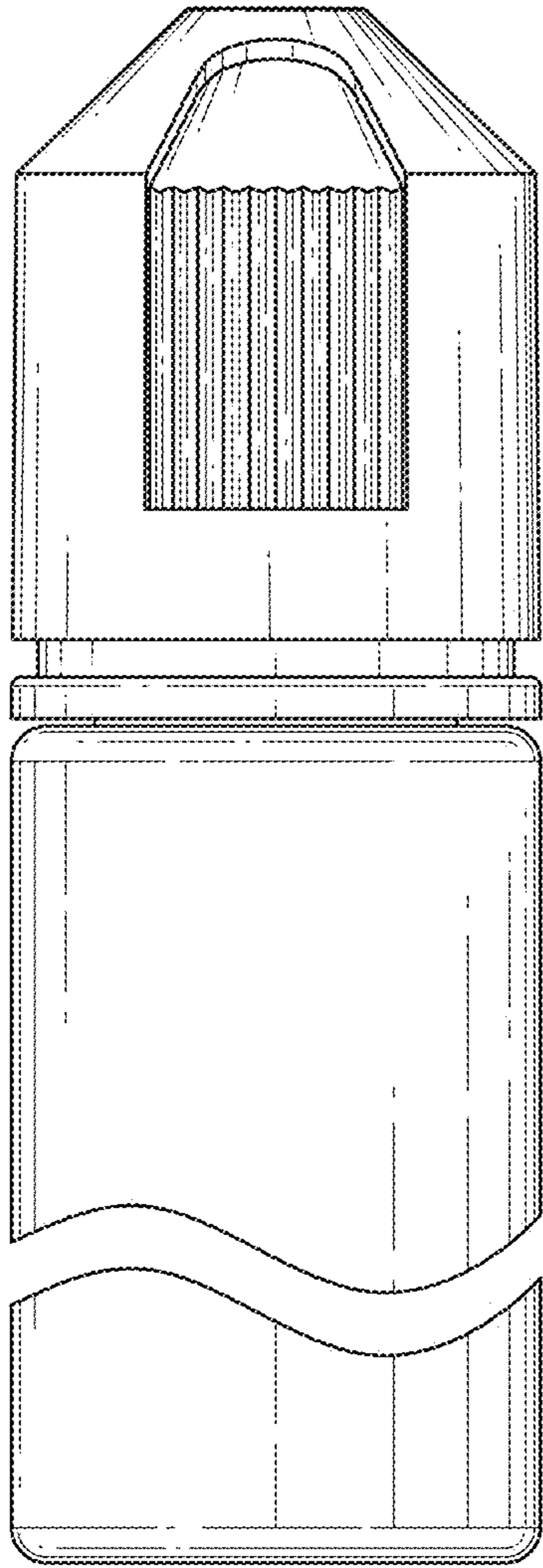


FIG. 52

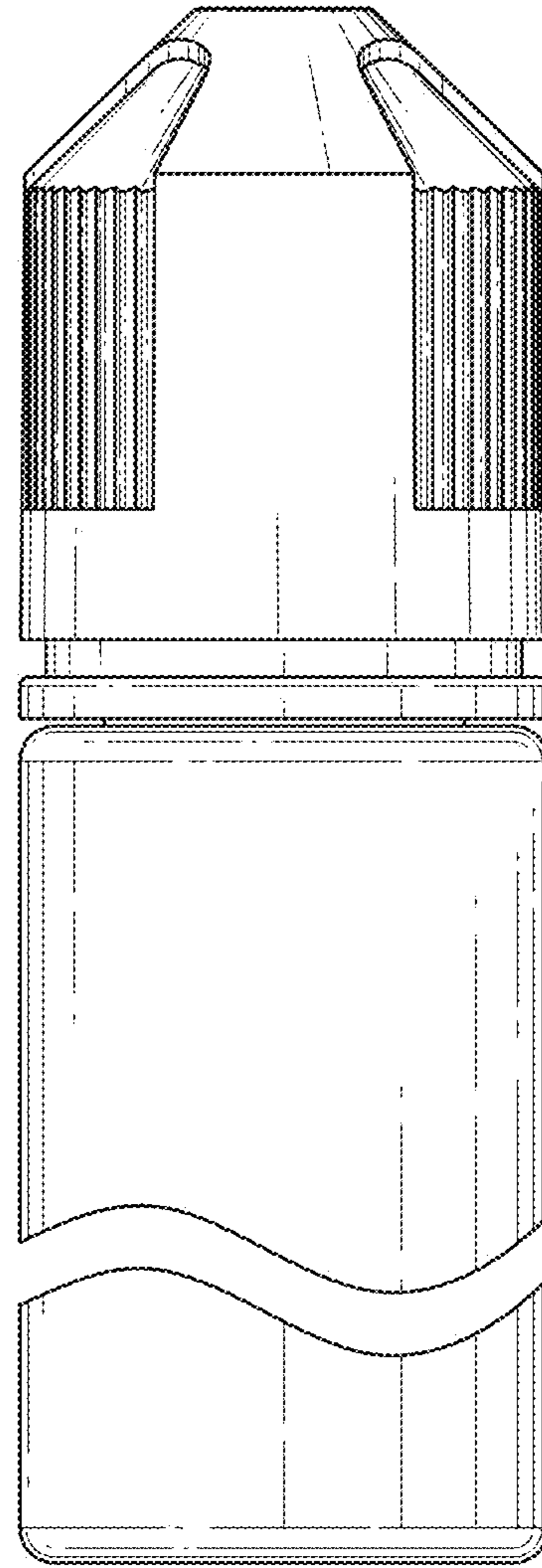


FIG. 53

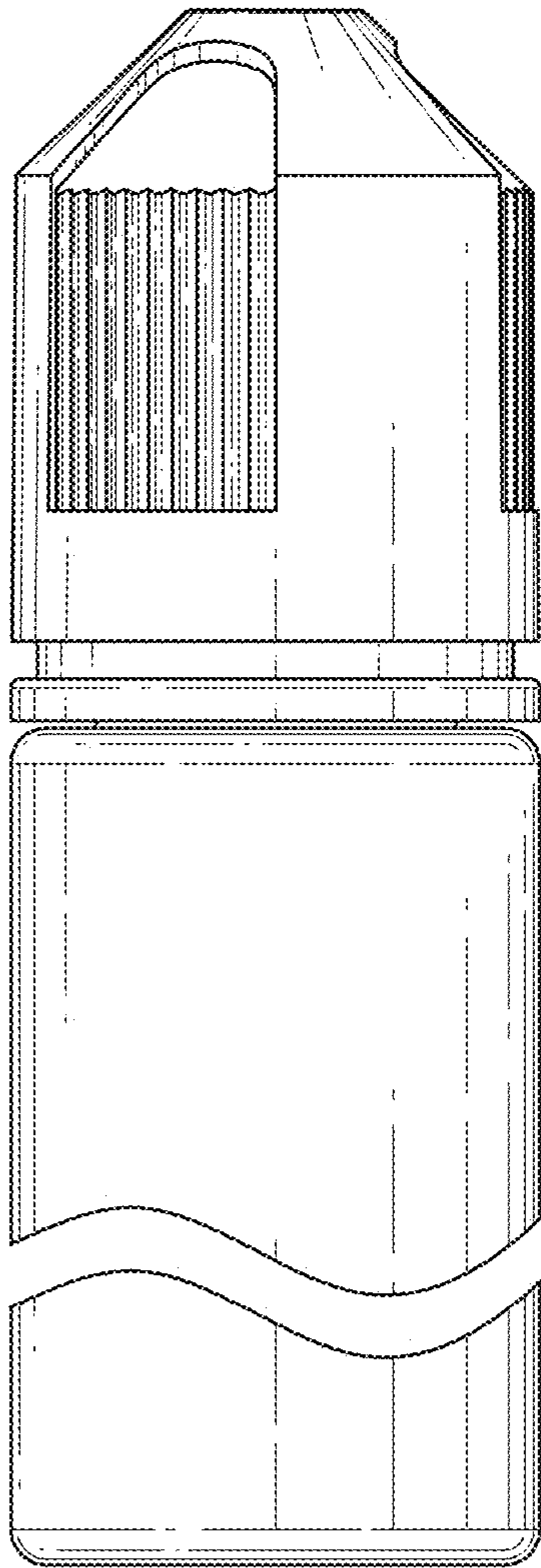


FIG. 54

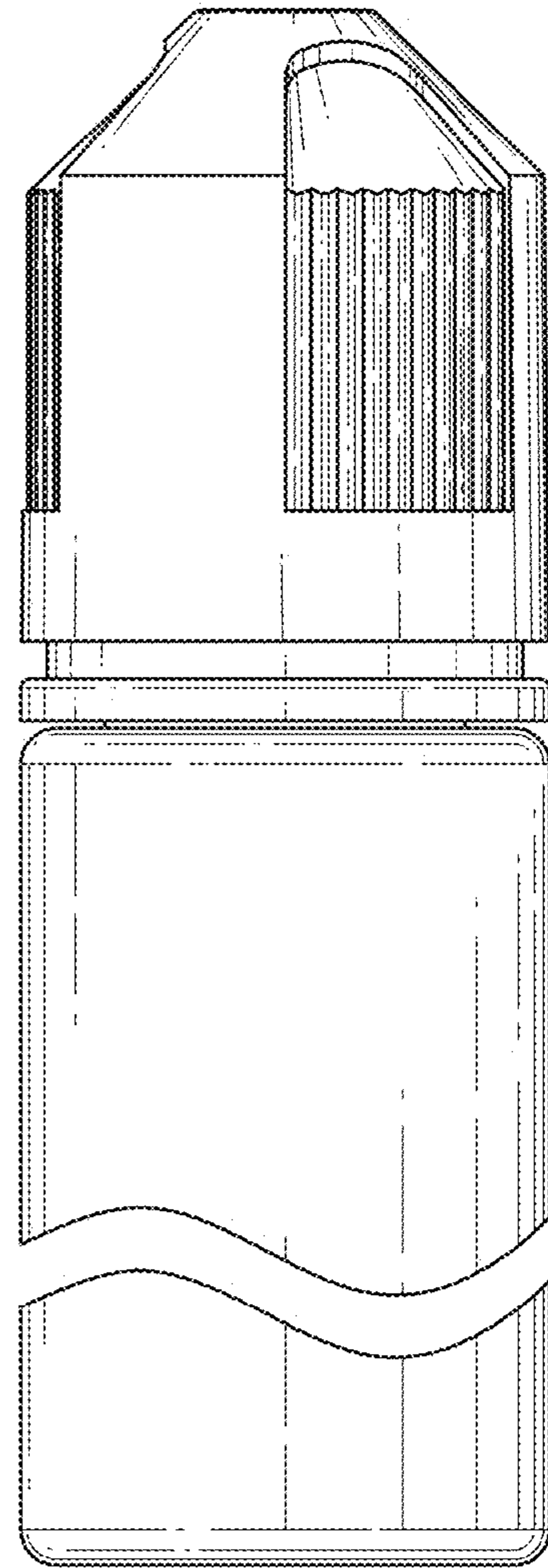


FIG. 55

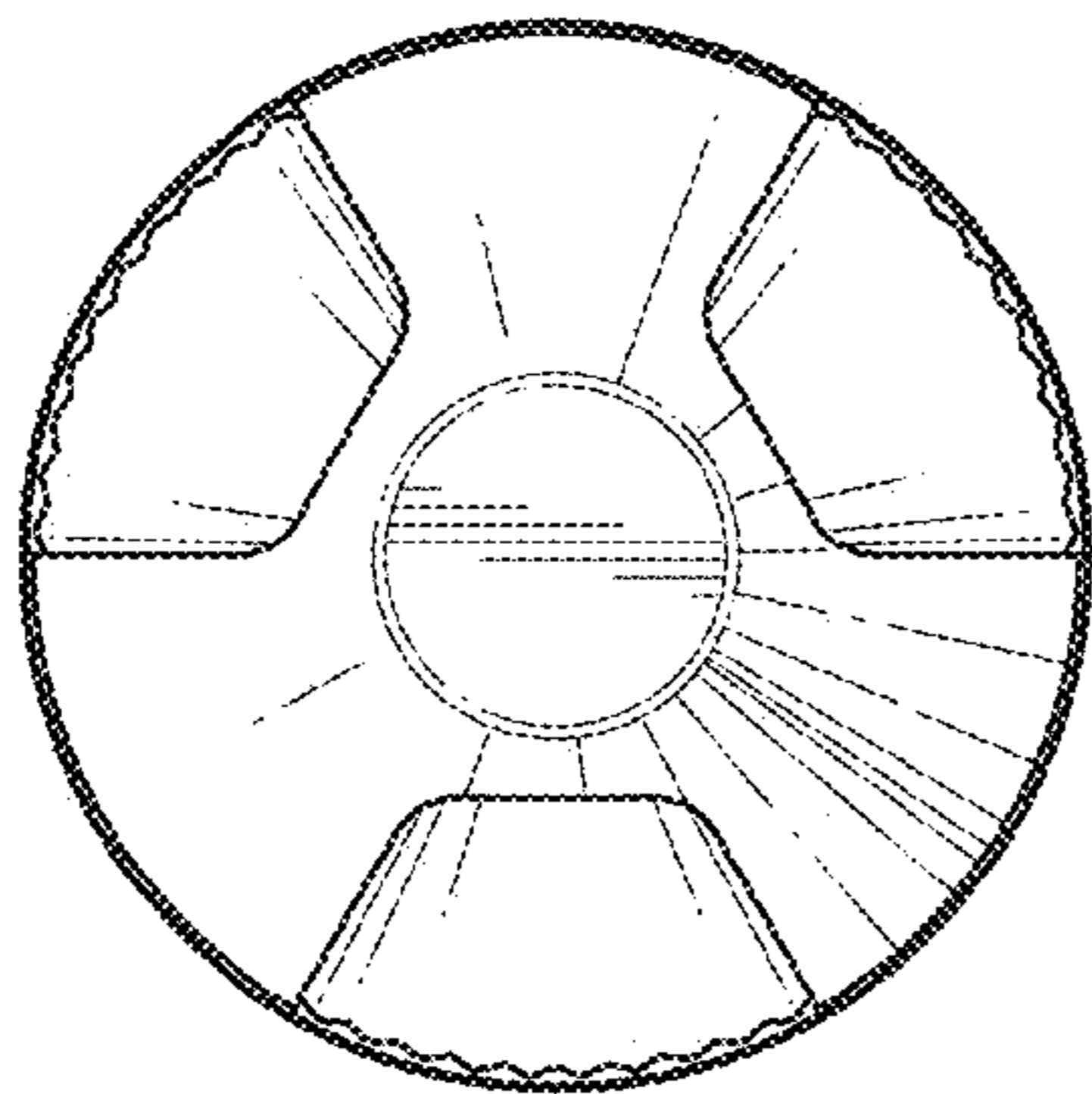


FIG. 56

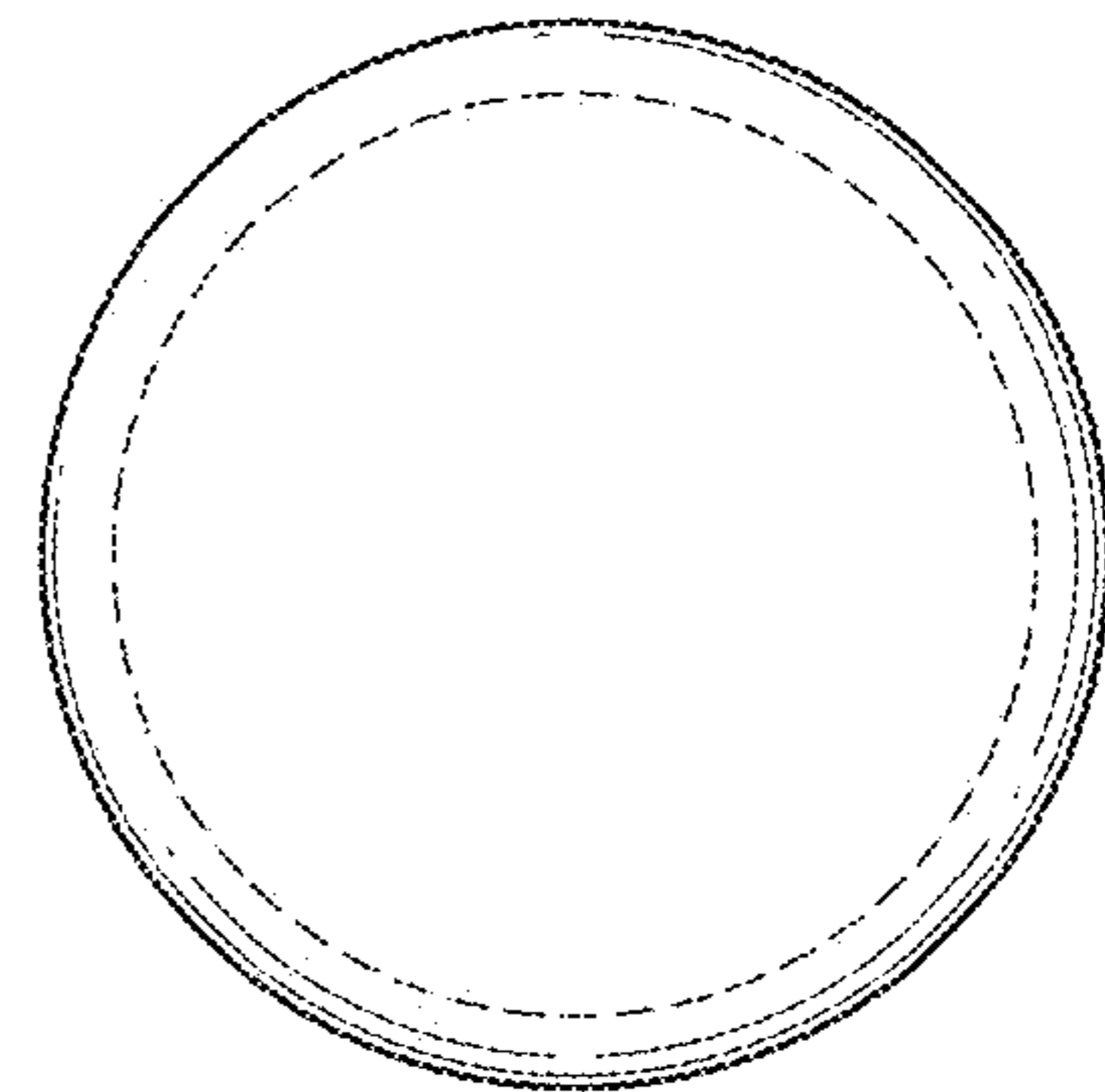


FIG. 57

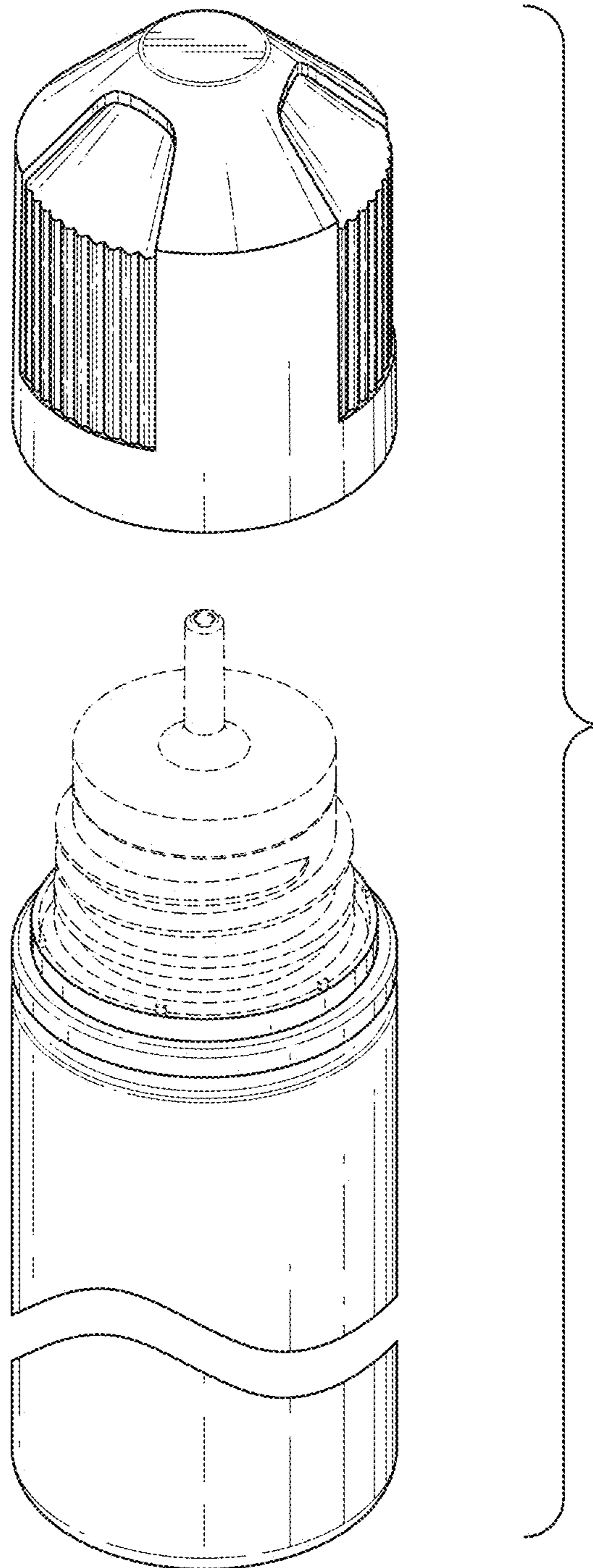


FIG. 58

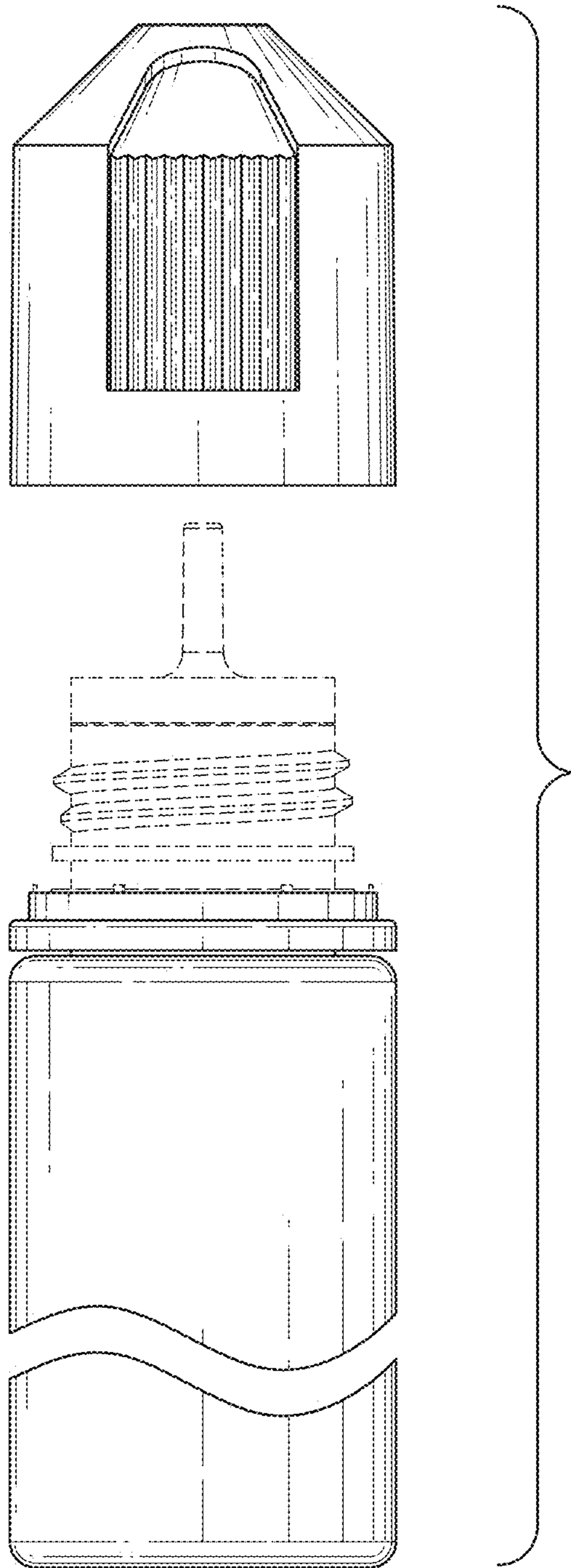


FIG. 59

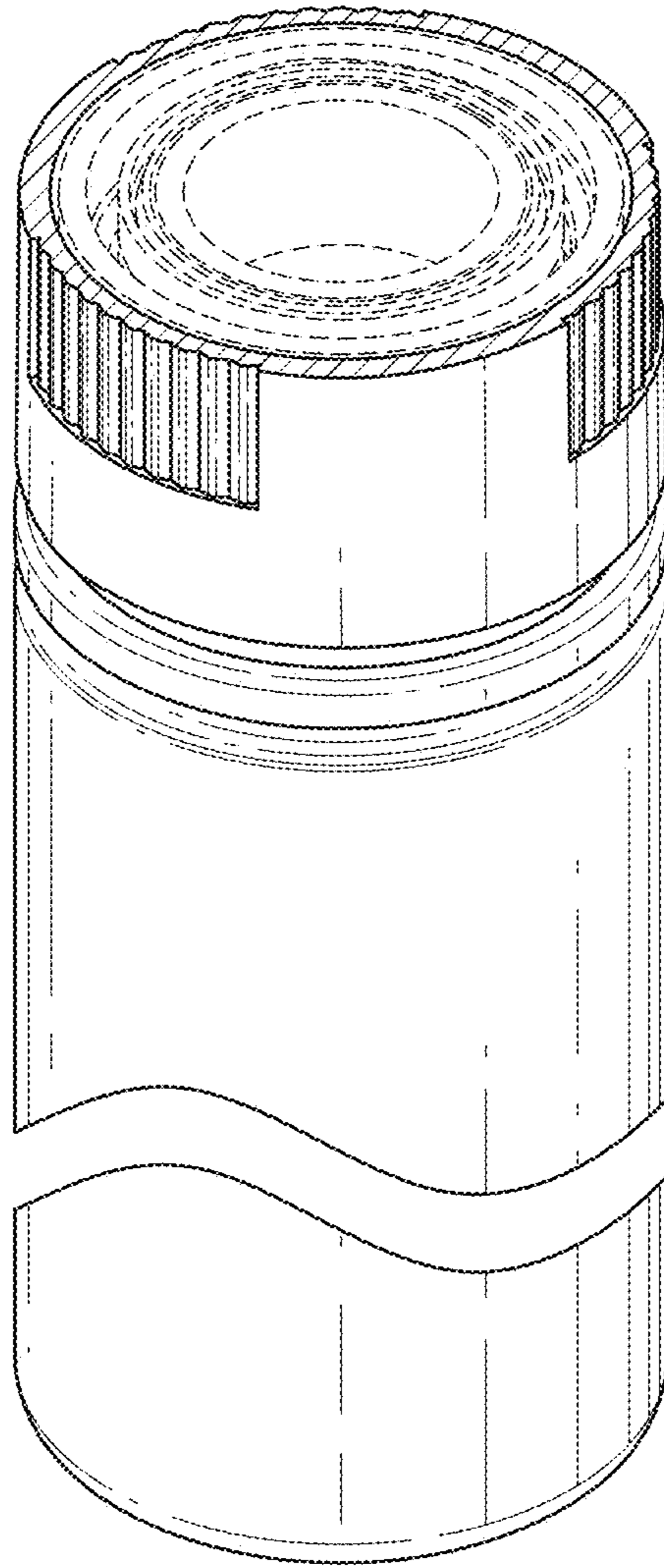


FIG. 60

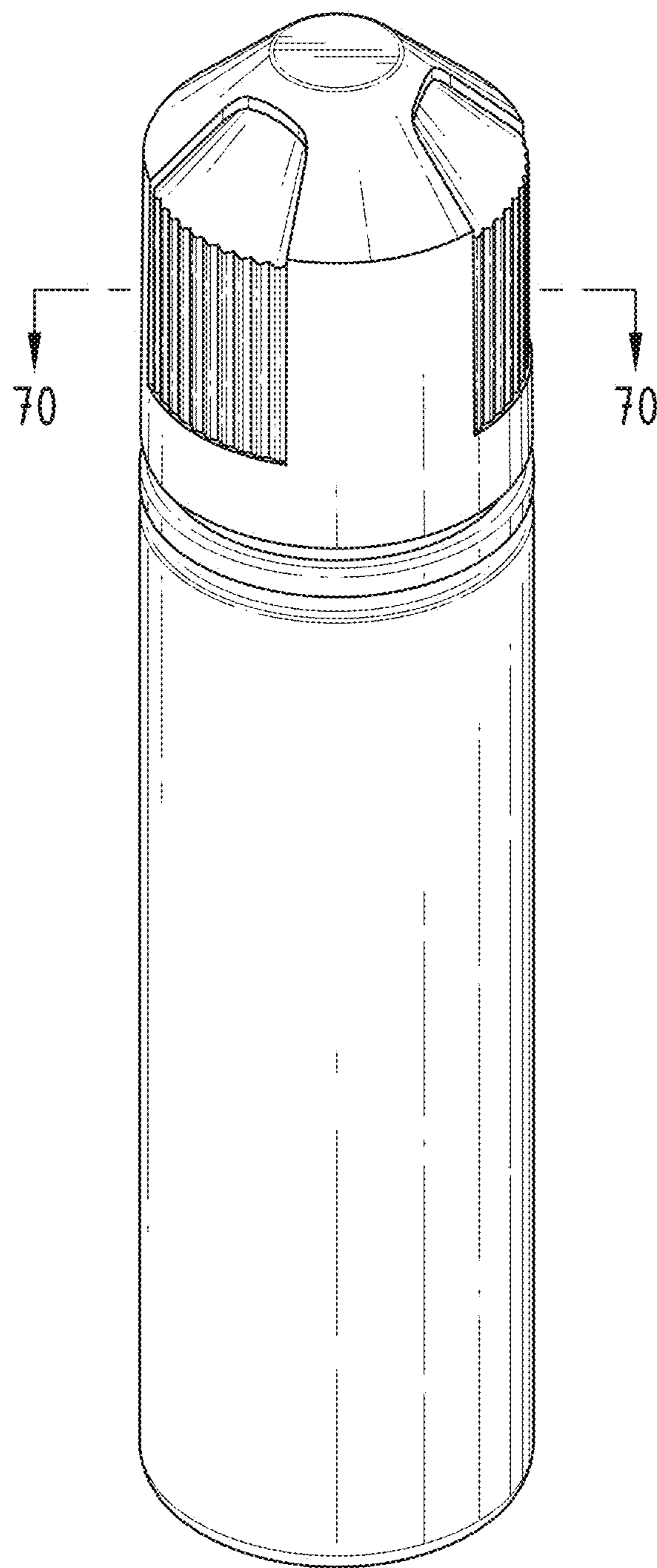


FIG. 61

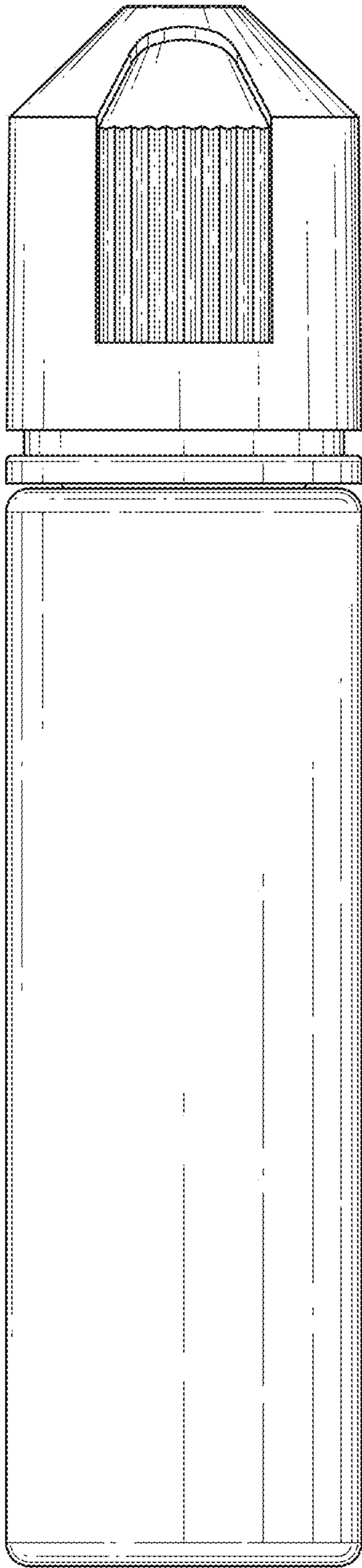


FIG. 62

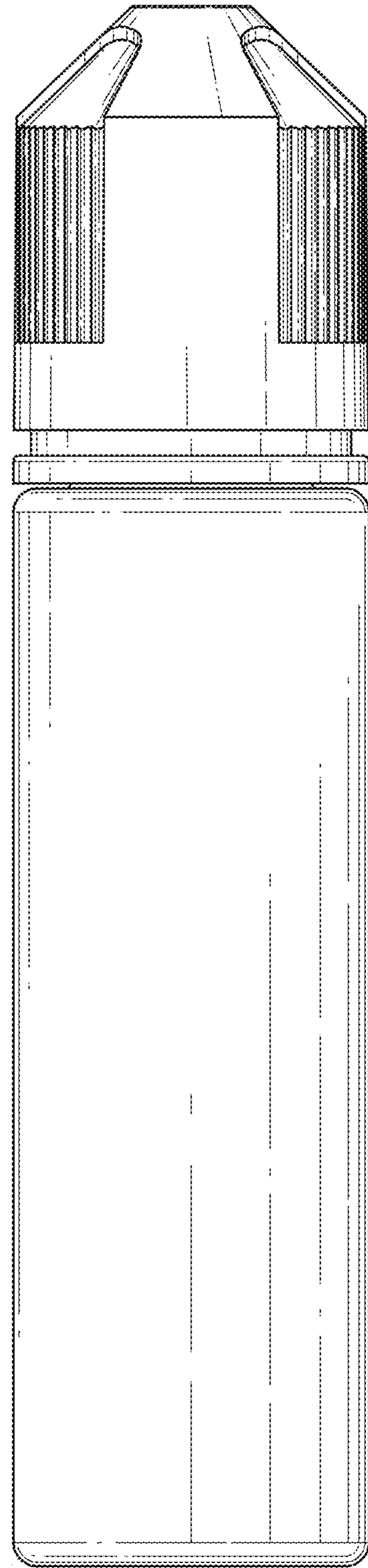


FIG. 63

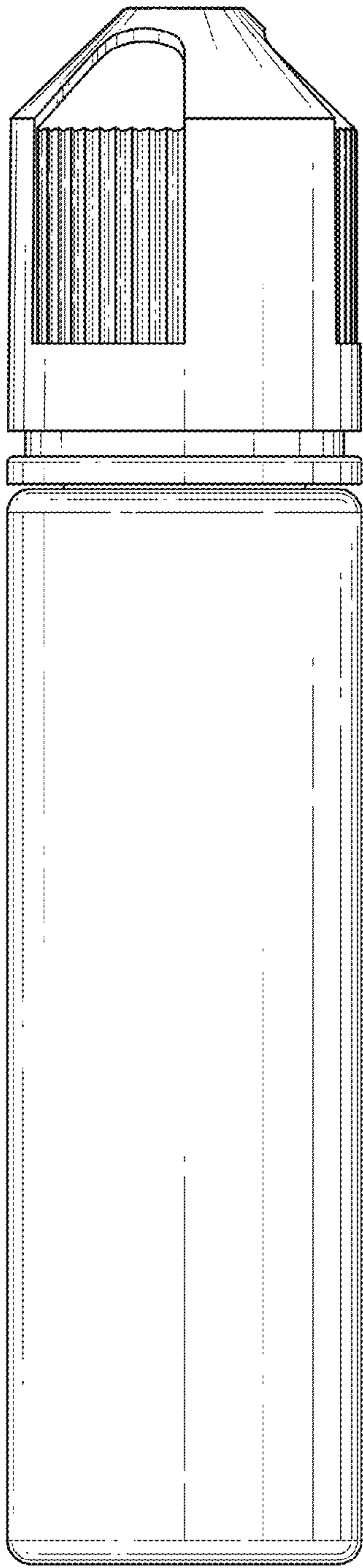


FIG. 64

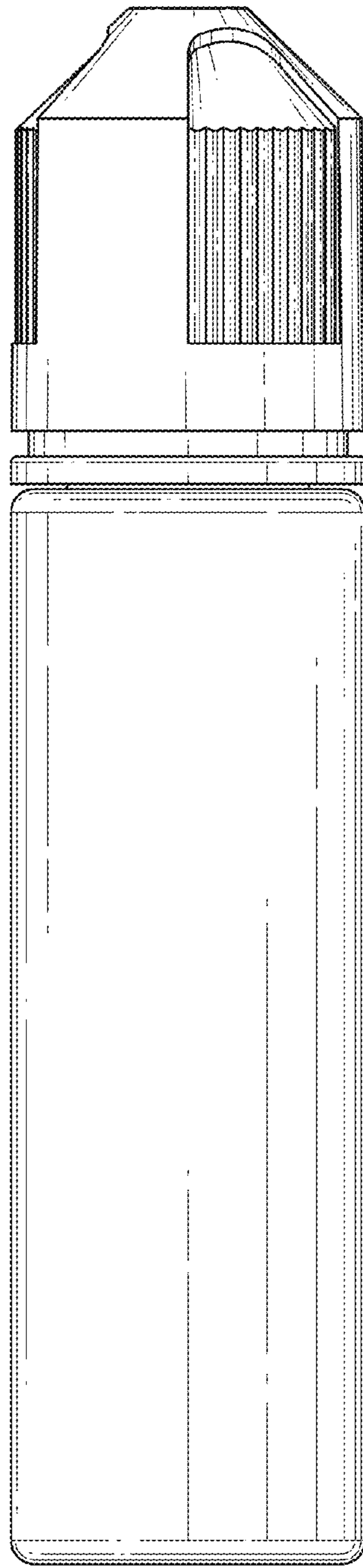


FIG. 65

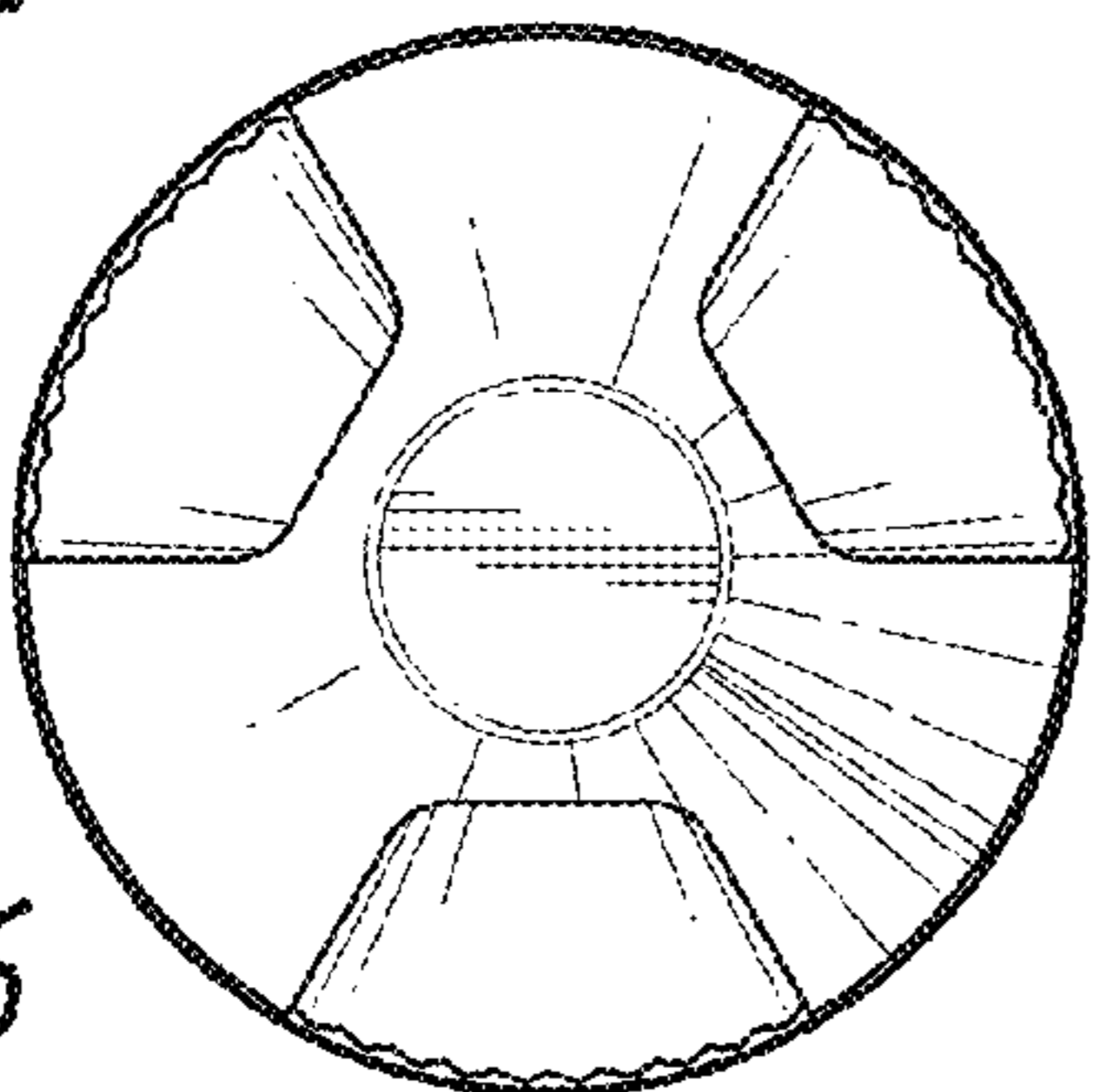


FIG. 66

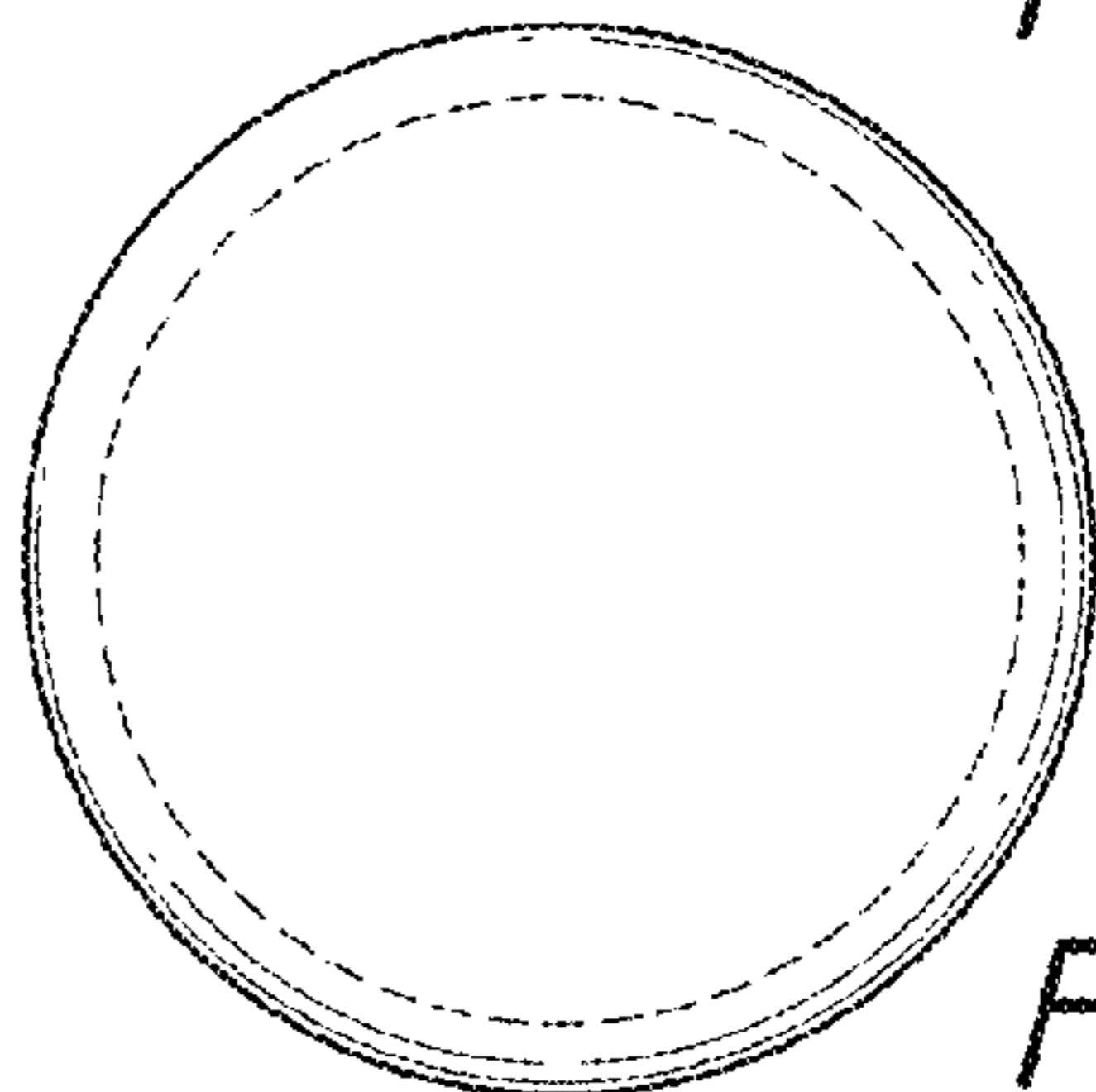


FIG. 67

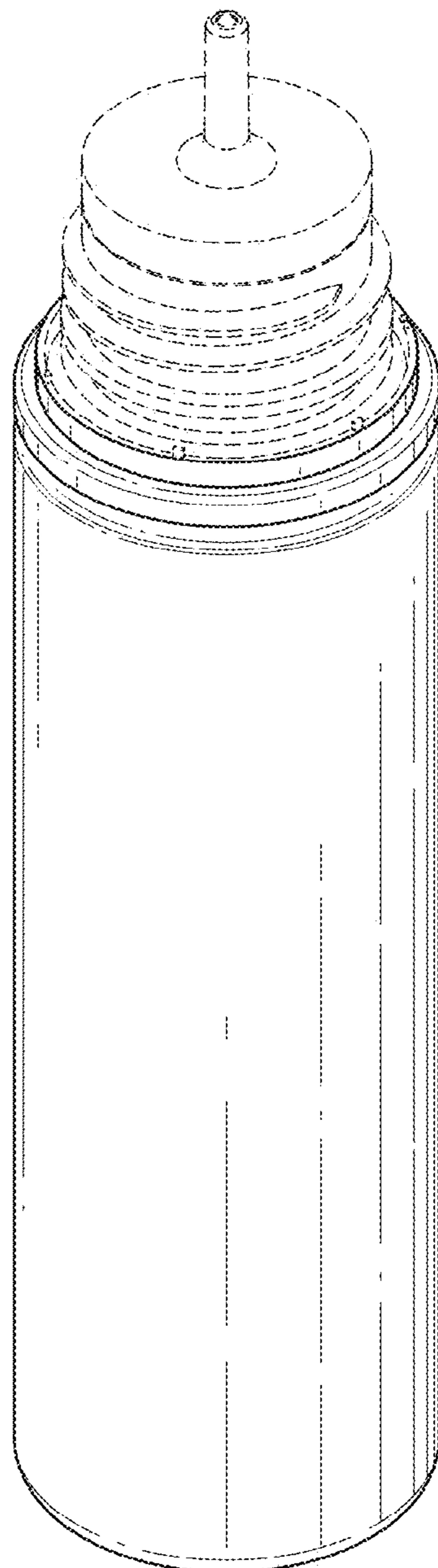
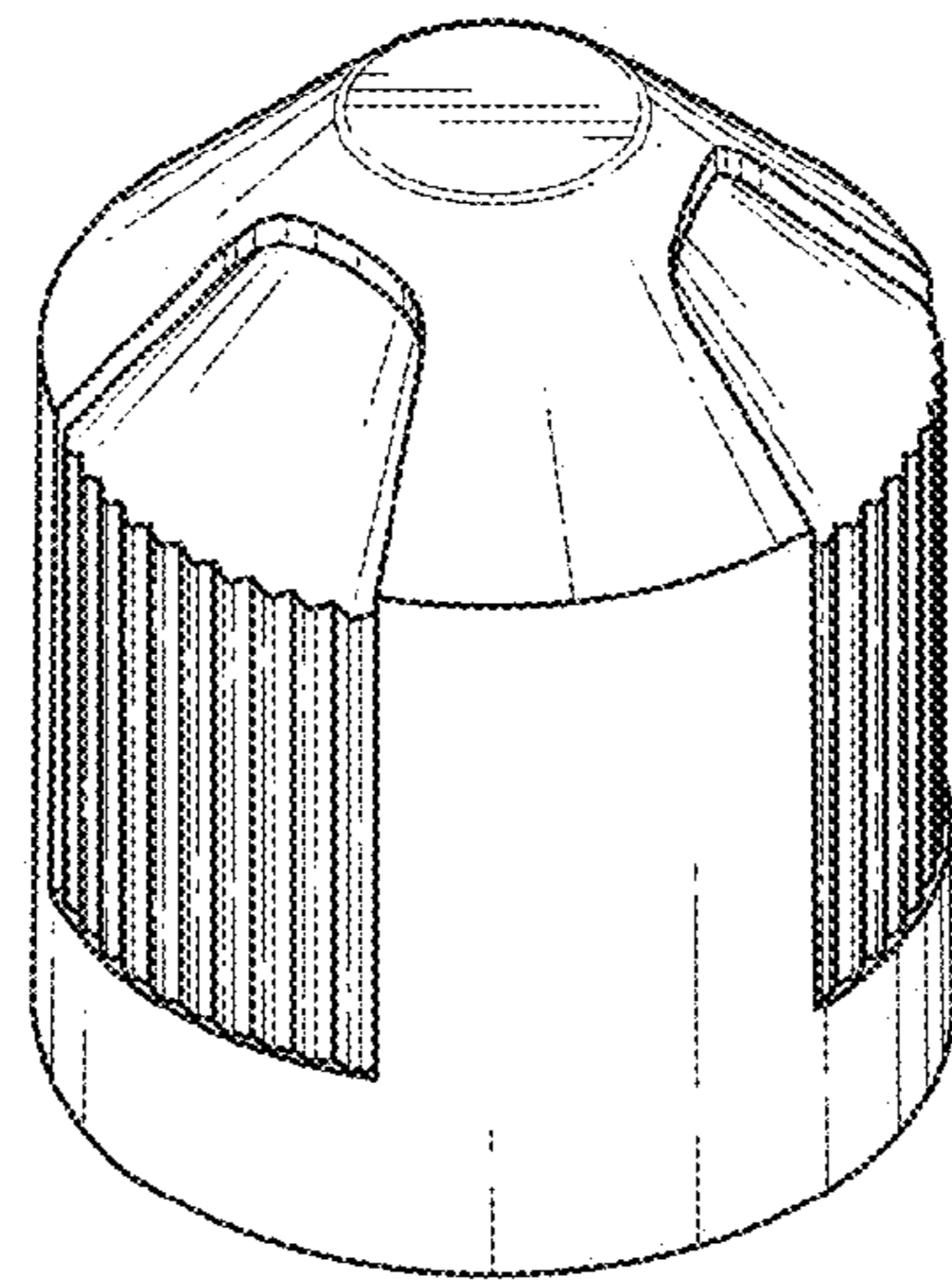


FIG. 68

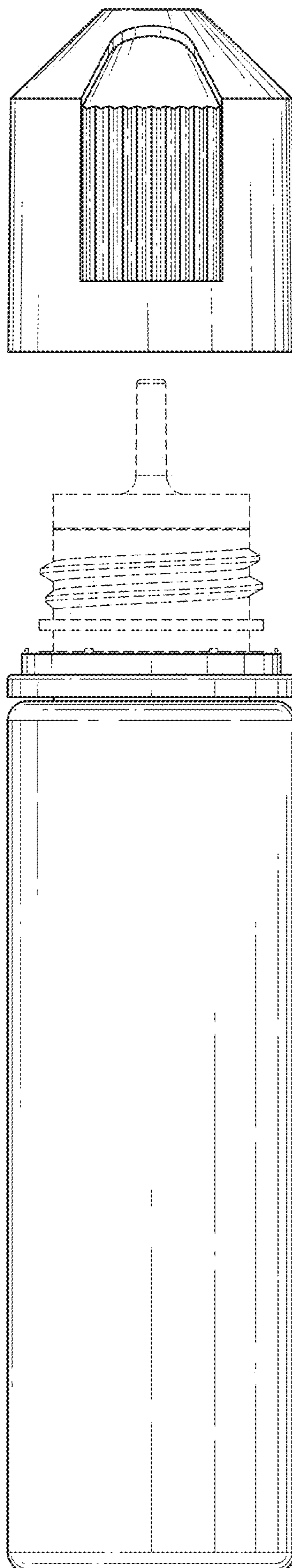


FIG. 69

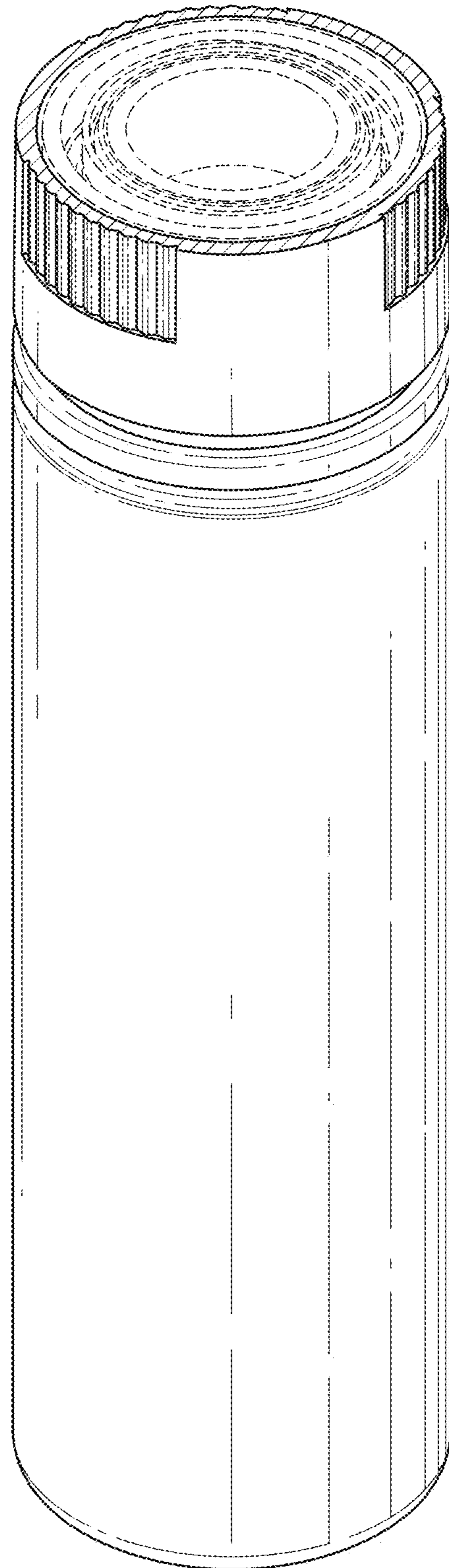


FIG. 70