



US00D886609S

(12) **United States Design Patent** (10) **Patent No.:** **US D886,609 S**
Accurso (45) **Date of Patent:** **** *Jun. 9, 2020**

(54) **BOTTLE CAP**

FOREIGN PATENT DOCUMENTS

(71) Applicant: **Abbott Laboratories**, Abbott Park, IL
(US)

EP 2559997 2/2013
JP S 53-74984 7/1978

(Continued)

(72) Inventor: **Roger W. Accurso**, Pleasanton, CA
(US)

OTHER PUBLICATIONS

(73) Assignee: **Abbott Laboratories**, Abbott park, IL
(US)

Make Your Own Gold Bars. 12' Green Gold Pan 5" #10 Mesh Screen & Bottle Snuffer-Panning Kit-Prosepecting. 2016 [online], [site visited Feb. 10, 2016]. Available from Internet, <URL:http://www.makeyourowngoldbars.com/12-green-gold-pan-5-1-0-meshscreen-bottle-snuffer-panning-kit-prospecting>.

(*) Notice: This patent is subject to a terminal disclaimer.

(**) Term: **15 Years**

Primary Examiner — Catherine S Posthauer

(21) Appl. No.: **29/638,686**

(74) *Attorney, Agent, or Firm* — Edward J. Baba;
Bozicevic, Field & Francis LLP

(22) Filed: **Feb. 28, 2018**

Related U.S. Application Data

(63) Continuation-in-part of application No. 15/208,462, filed on Jul. 12, 2016, now Pat. No. 10,273,065,
(Continued)

(57) **CLAIM**

(51) **LOC (12) Cl.** **09-07**

The ornamental design for bottle cap, as shown and described.

(52) **U.S. Cl.**
USPC **D9/454; D24/224**

(58) **Field of Classification Search**
USPC D3/202, 203.1, 203.2, 318; D7/300, D7/300.1, 316, 317, 323, 354, 387, 391, D7/392, 392.1, 396.1, 396.2, 397, 398, D7/503, 509, 510, 511, 523, 526-531, D7/538, 566, 568, 600.1, 602, 603, 614, D7/619.1, 629, 704, 900; D8/14, 14.1, D8/45; D9/434, 435, 440, 447, 452, 453,
(Continued)

DESCRIPTION

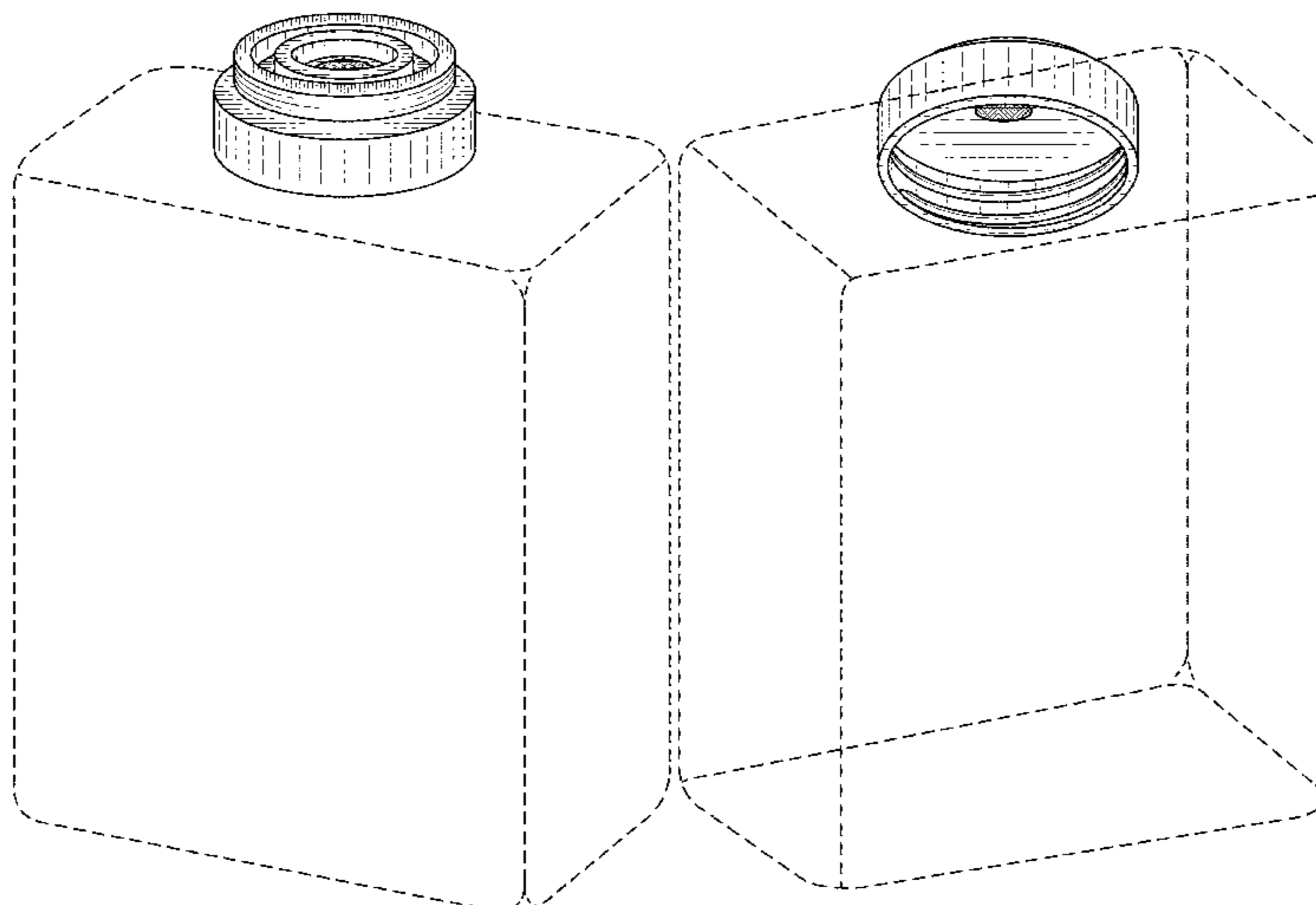
FIG. 1 is a top perspective view of a bottle cap showing our new design;
FIG. 2 is a bottom perspective view thereof;
FIG. 3 is a top view thereof;
FIG. 4 is a bottom view thereof;
FIG. 5 is a front view thereof; and,
FIG. 6 is a right side elevation view thereof.
The undisclosed rear view is symmetrical to the front view and the undisclosed left view is symmetrical to the right side view. The broken lines are shown for the purpose of illustrating environmental subject matter of an exemplary bottle and form no part of the claimed design.

(56) **References Cited**

U.S. PATENT DOCUMENTS

571,708 A * 11/1896 Thompson B65D 47/247
137/845
D240,595 S 7/1976 Kress
(Continued)

1 Claim, 6 Drawing Sheets



Related U.S. Application Data

which is a continuation of application No. 14/137,209, filed on Dec. 20, 2013, now Pat. No. 9,403,629.

(58) **Field of Classification Search**

USPC D9/499, 516, 529, 686, 723; D23/259, D23/260, 261; D24/121, 127, 199, 224
 CPC B65D 2517/5091; B65D 41/04; B65D 23/12; B65D 1/0246; B65D 47/265; B65D 47/065; B65D 51/24; B65D 51/224; B65D 51/245; B65D 2101/0015; B65D 2251/0093; B65D 85/72; B65D 51/18; B65D 51/28; B65D 51/242; B65D 51/2814; B65D 51/2821; B65D 21/0228; B65D 41/3447; B65D 1/02; A61L 9/12; A47G 19/2205; A47G 19/2222; A47G 19/2266; A47G 19/2272; A47G 19/2294; A47J 43/27; B05B 7/2437; B05C 17/00576; B01L 2200/025; G01N 35/1002

See application file for complete search history.

(56) **References Cited**

U.S. PATENT DOCUMENTS

D280,385 S 9/1985 Dinand
 4,764,342 A 8/1988 Kelln et al.
 4,770,854 A 9/1988 Lyman
 D318,804 S * 8/1991 Ochs D9/453
 D341,779 S * 11/1993 Lewis D9/435
 5,262,049 A 11/1993 Ferkany
 5,413,246 A 5/1995 Godolphin et al.
 D363,429 S 10/1995 Lee
 5,811,060 A 9/1998 Laguna
 D419,071 S 1/2000 Peters
 6,109,480 A 8/2000 Monsrud et al.
 D431,005 S 9/2000 Jentjen
 6,193,933 B1 2/2001 Sasaki et al.
 D451,393 S * 12/2001 Gerhart D9/453
 6,386,392 B1 5/2002 Argentieri et al.
 D466,400 S 12/2002 Garcia
 6,517,780 B1 2/2003 Cortelazzo
 6,523,709 B2 2/2003 Miceli et al.
 6,599,477 B1 7/2003 Miyake et al.
 D484,419 S 12/2003 Potocki et al.
 D492,596 S 7/2004 Miceli et al.
 D500,681 S 1/2005 Uchiyama
 D513,181 S * 12/2005 Bloom D9/453
 D515,940 S 2/2006 Kratko
 D516,911 S * 3/2006 Bloom D9/453
 D527,632 S 9/2006 Romer
 D542,144 S 5/2007 Herrmann
 D571,199 S 6/2008 Petrosino
 D574,708 S 8/2008 Reed
 D584,632 S 1/2009 Lloyd et al.
 D587,999 S * 3/2009 Schulthess D9/434
 D592,954 S * 5/2009 Capretta D9/453
 D595,570 S * 7/2009 Moretti D9/434
 D596,491 S 7/2009 Rica
 D600,133 S 9/2009 Friedman et al.
 D616,090 S * 5/2010 Kawamura D24/127

7,799,560 B2 9/2010 Wilson et al.
 D647,803 S 11/2011 Regas
 8,100,297 B1 1/2012 Anish et al.
 D670,176 S 11/2012 Monteparo et al.
 D671,008 S 11/2012 Monteparo et al.
 8,318,111 B2 11/2012 Mingerink et al.
 8,337,780 B2 12/2012 Gaskins et al.
 D680,001 S 4/2013 Miceli et al.
 D680,004 S 4/2013 Lecetre et al.
 D680,877 S 4/2013 Ghandour
 D687,709 S * 8/2013 Taylor D9/453
 D689,774 S 9/2013 Ford et al.
 D691,890 S 10/2013 Ford et al.
 D693,227 S 11/2013 Gonzalez Rodriguez
 D694,110 S * 11/2013 Tanner D9/452
 8,652,424 B2 2/2014 Unger et al.
 D709,766 S 7/2014 Miceli et al.
 D712,739 S 9/2014 Lapsker
 8,881,988 B2 11/2014 Miceli et al.
 D723,917 S 3/2015 Koffel
 D732,959 S 6/2015 Branstad
 D734,848 S 7/2015 Stonig et al.
 D751,394 S * 3/2016 Chartier D9/440
 D751,408 S 3/2016 Baron et al.
 D751,899 S 3/2016 Chu
 D753,950 S * 4/2016 Feeley D7/392.1
 D784,149 S 4/2017 Funk
 D784,820 S 4/2017 Kuzma et al.
 D792,231 S 7/2017 Thompson
 D796,962 S 9/2017 Gonzalez Rodriguez
 D803,685 S * 11/2017 Kaye D9/453
 D823,115 S * 7/2018 Walker D9/447
 D832,713 S 11/2018 Mann et al.
 D850,274 S 6/2019 Li
 D854,182 S * 7/2019 Accurso B65D 55/14
 D24/224
 2003/0231988 A1 12/2003 Chiarin
 2004/0013575 A1 1/2004 Stevens et al.
 2006/0163869 A1 * 7/2006 Adler G09F 3/0288
 283/81
 2007/0246438 A1 10/2007 Chen
 2009/0028752 A1 1/2009 Bala
 2010/0254859 A1 10/2010 Chiarin et al.
 2012/0252134 A1 10/2012 Galiano
 2013/0045540 A1 2/2013 Collier et al.
 2013/0121878 A1 * 5/2013 Wilson B01L 3/523
 422/68.1
 2013/0171025 A1 * 7/2013 Nojima G01N 35/10
 422/63
 2013/0209993 A1 8/2013 Aronowitz
 2013/0334162 A1 * 12/2013 Howcroft A45F 3/16
 215/227
 2014/0263316 A1 * 9/2014 Accurso B65D 55/14
 220/210
 2017/0050780 A1 * 2/2017 Danks B65D 5/746

FOREIGN PATENT DOCUMENTS

JP T 58-501367 8/1983
 JP A 10-063078 3/1998
 JP A 2009-204525 9/2009
 WO 2012/013970 2/2012

* cited by examiner

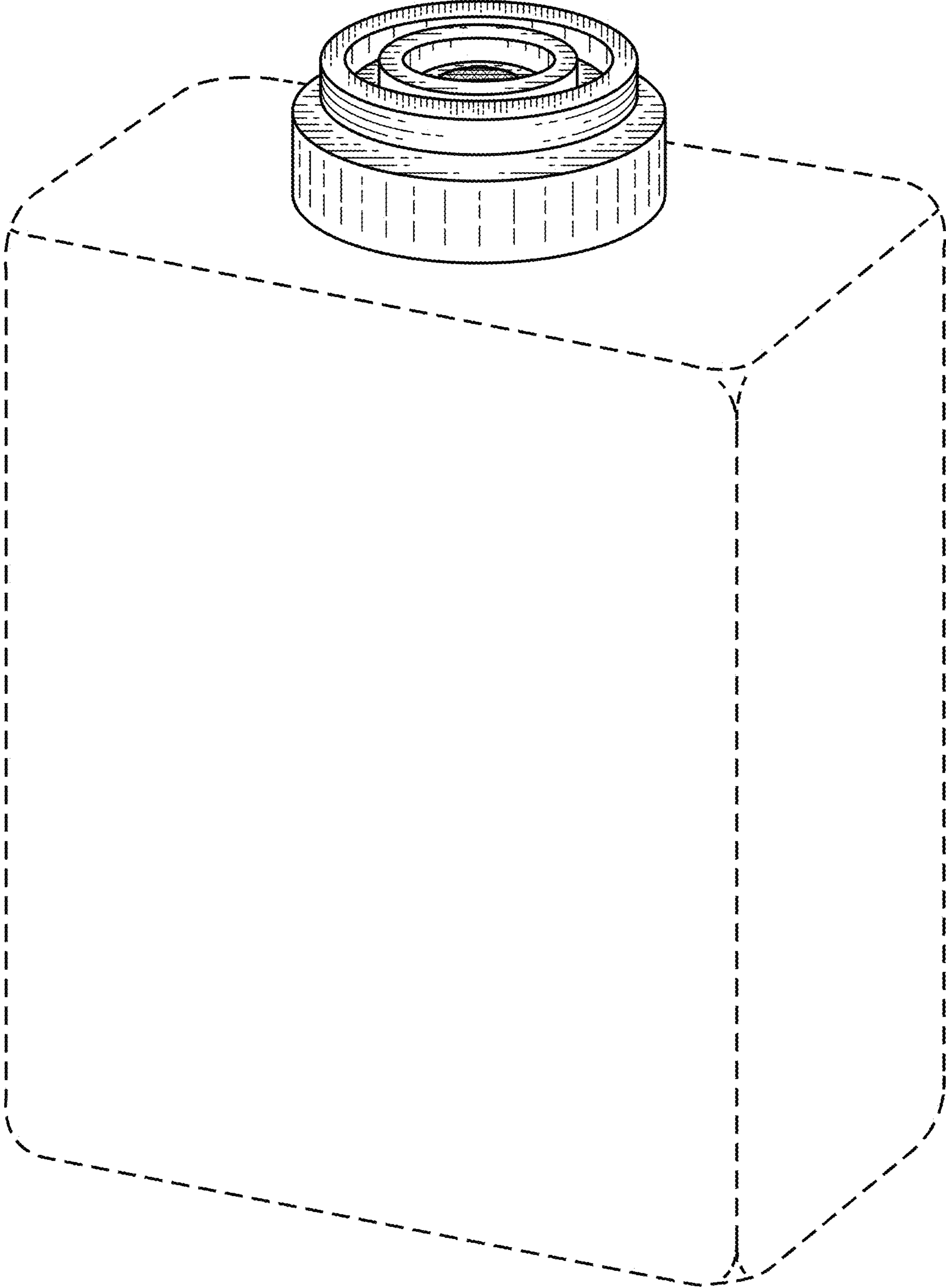


FIG. 1

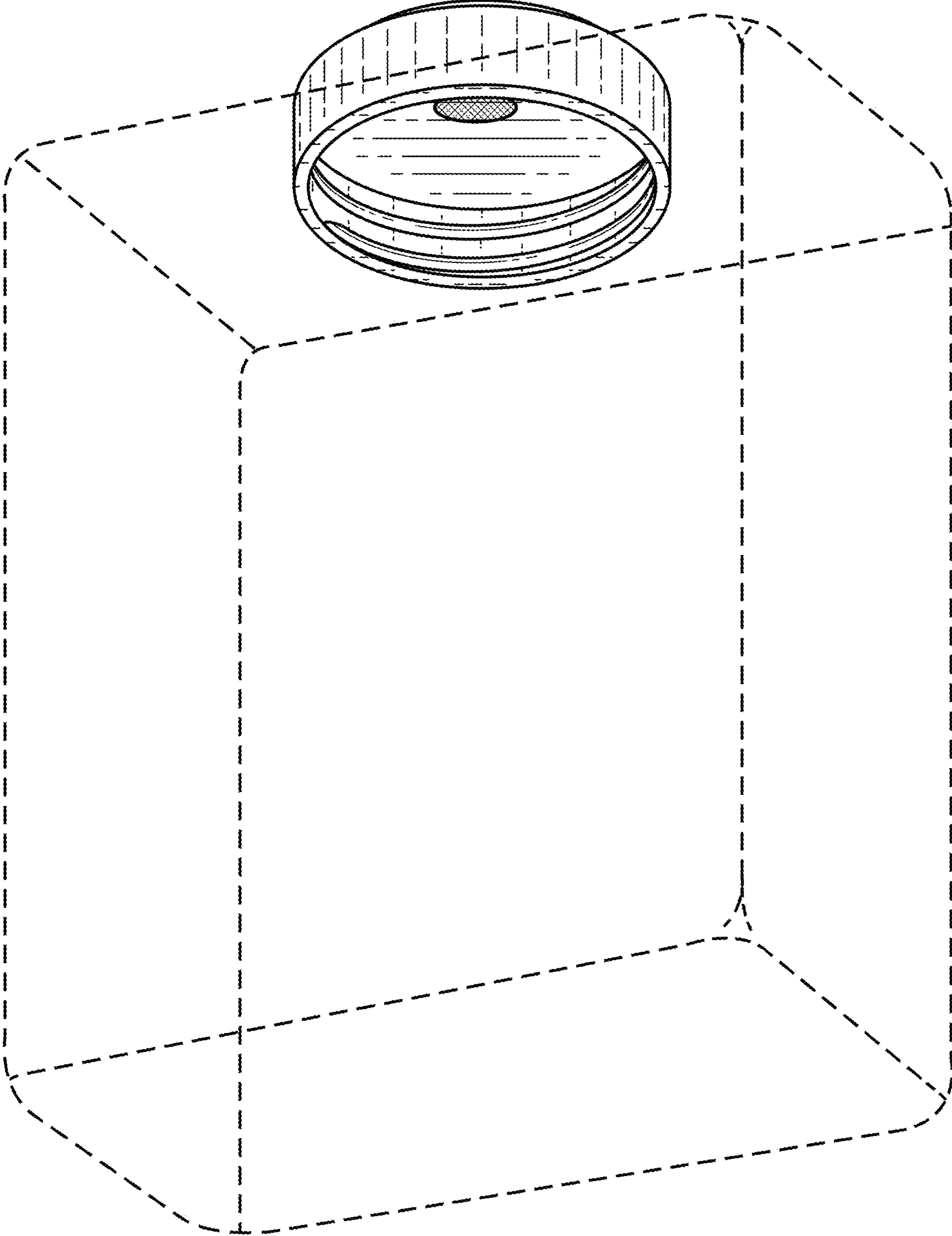


FIG. 2

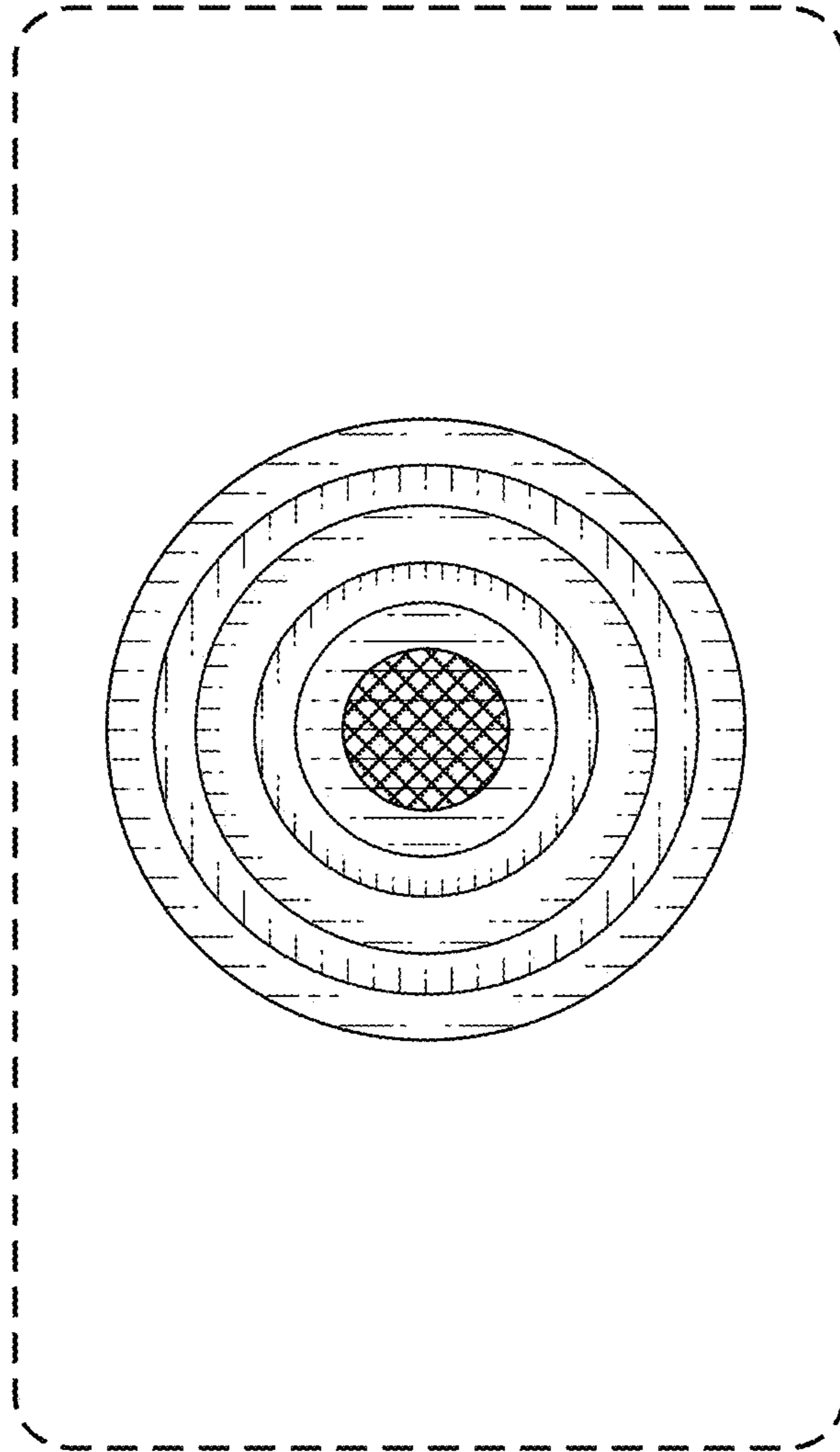


FIG. 3

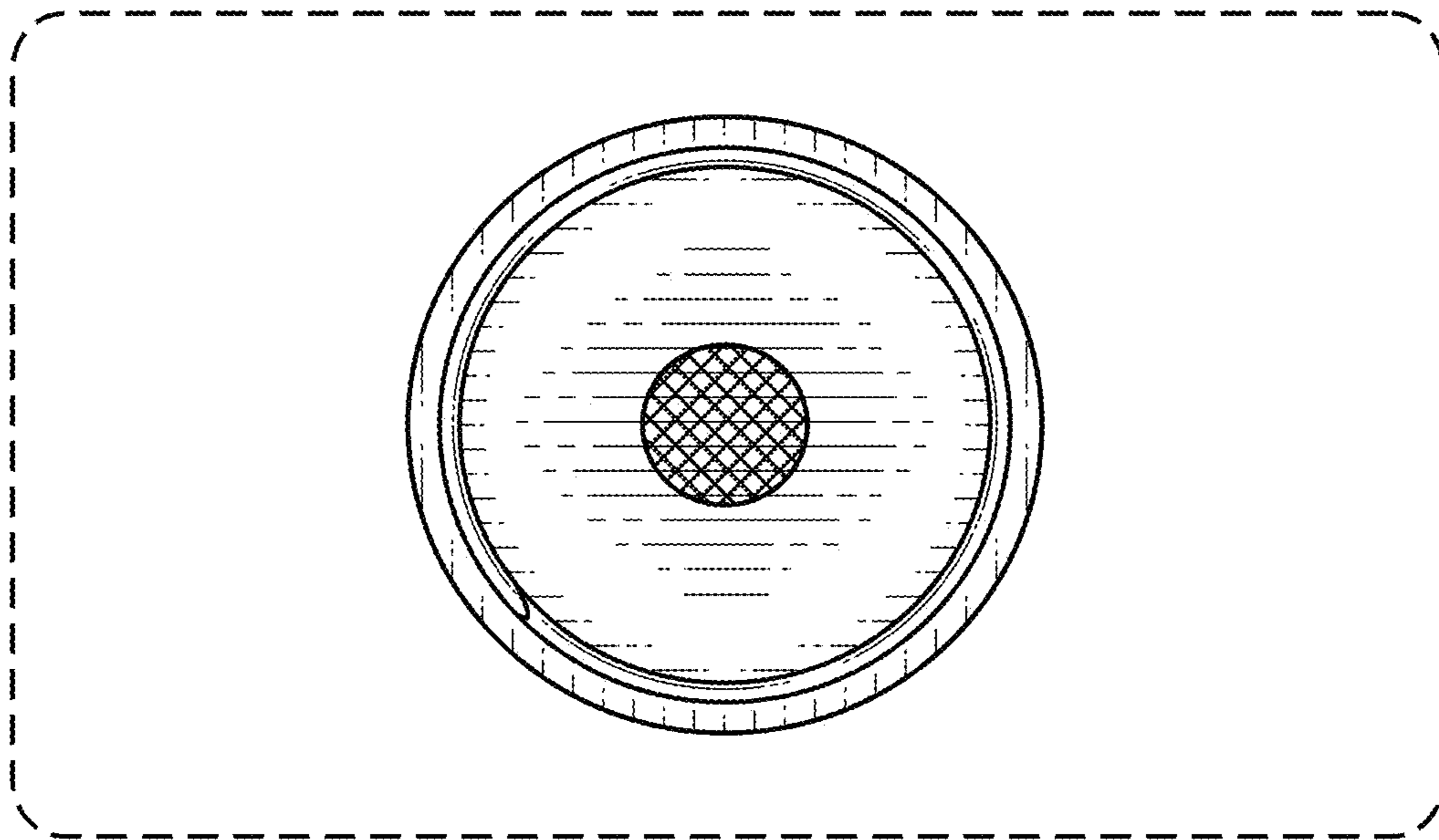


FIG. 4

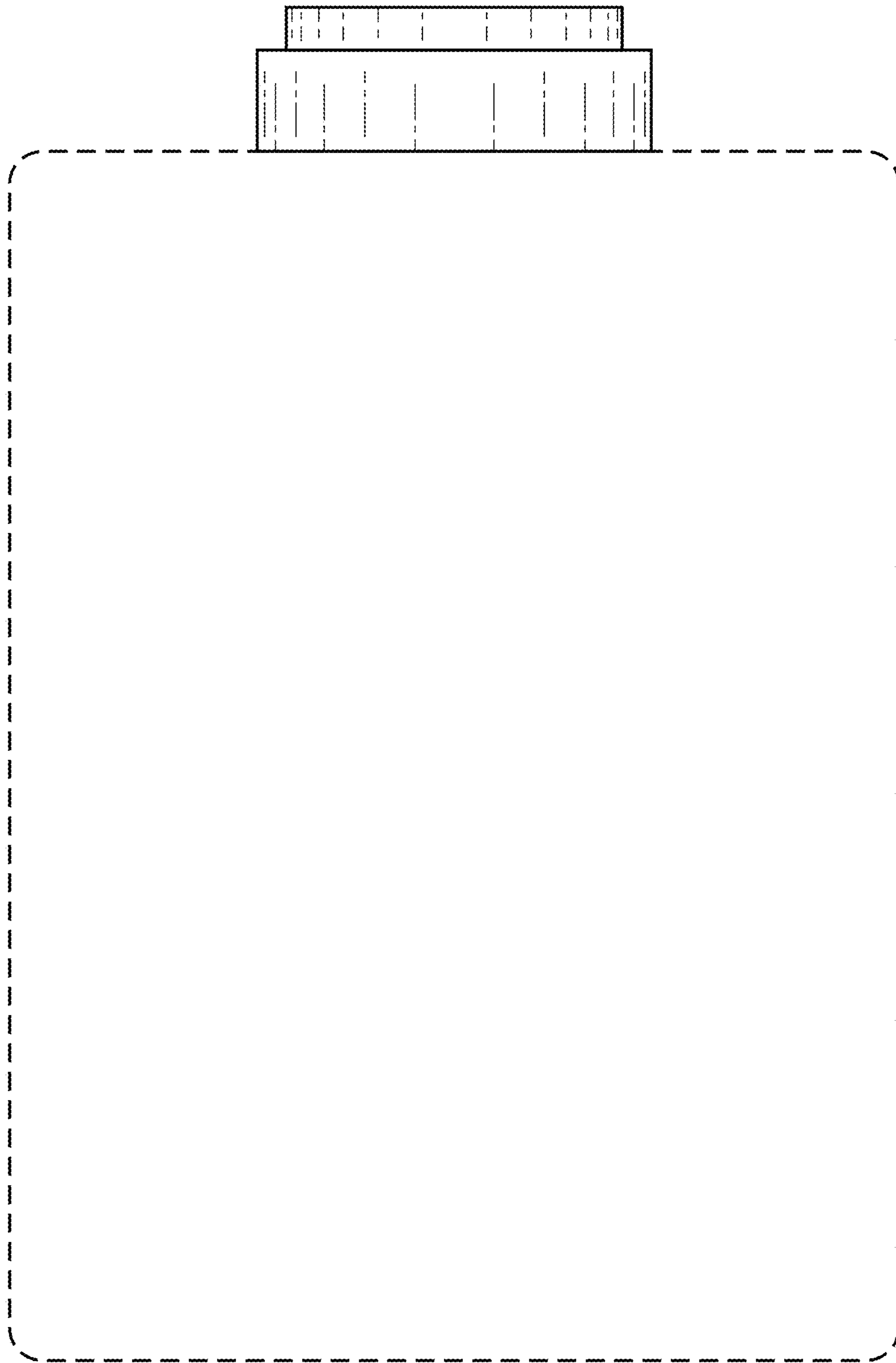


FIG. 5

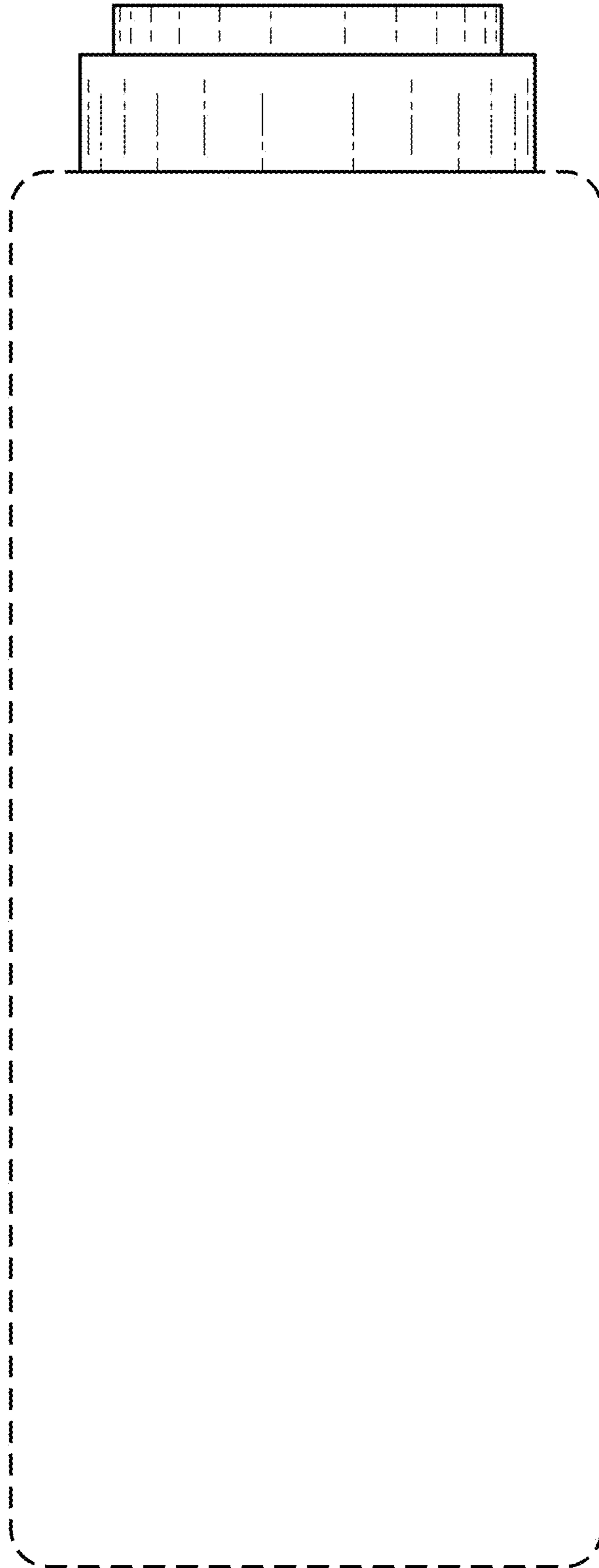


FIG. 6