



US00D886604S

(12) **United States Design Patent**
Liu

(10) **Patent No.:** **US D886,604 S**

(45) **Date of Patent:** **** Jun. 9, 2020**

- (54) **HANDLE FOR A CONTAINER**
- (71) Applicant: **Shih-Hsun Liu**, Taichung (TW)
- (72) Inventor: **Shih-Hsun Liu**, Taichung (TW)
- (**) Term: **15 Years**
- (21) Appl. No.: **29/616,975**
- (22) Filed: **Sep. 11, 2017**
- (51) **LOC (12) Cl.** **09-07**
- (52) **U.S. Cl.**
USPC **D9/434**
- (58) **Field of Classification Search**
USPC D3/20, 202, 203, 203.2, 203.6, 203.7,
D3/207, 242, 318; D7/387, 602, 619.1,
D7/619.2, 620, 621, 622, 321, 392, 392.1,
D7/396.2, 396.3, 397, 398; D9/700, 701,
D9/702, 721, 722, 501, 643, 648, 655,
D9/748, 414, 415, 416, 418, 424, 433,
D9/434, 435, 437, 438, 451, 456, 457;
D20/10, 11, 22, 23, 27, 28, 40, 42, 44;
D24/188, 189, 145, 224, 225, 227, 229;
D23/211.1, 211.2, 212
CPC B65D 17/4014; B65D 17/0014; B65D
17/0025; B65D 17/0044; B65D 25/325;
B65D 43/162; B65D 23/10; B65D
73/0014; B65D 85/00; B65D 2203/00;
A01N 1/0263; A47J 45/077; A47J 45/07;
A63H 27/001
See application file for complete search history.

- 3,463,536 A * 8/1969 Beyer B65D 23/108
294/31.2
- 3,709,544 A * 1/1973 Oltmanns A47J 45/075
294/31.2
- D277,080 S * 1/1985 Gagnon 294/137
- 5,752,732 A * 5/1998 Beaton B65D 23/104
294/169
- D447,862 S * 9/2001 Vagelatos D3/202
- 6,394,517 B1 * 5/2002 Borg A45F 5/10
215/397
- D624,807 S * 10/2010 Barrese D8/373
- D624,808 S * 10/2010 Krawczak D8/373

(Continued)

FOREIGN PATENT DOCUMENTS

- CA 2717284 A1 * 4/2012 A47J 5/065
- WO WO-2018181394 A1 * 10/2018 B65D 23/10

Primary Examiner — Jennifer Rivard
Assistant Examiner — Catherine S Posthauer
 (74) *Attorney, Agent, or Firm* — Thomas J. Nikolai;
 DeWitt LLP

(57) **CLAIM**

The ornamental design for a handle for a container, as shown and described.

DESCRIPTION

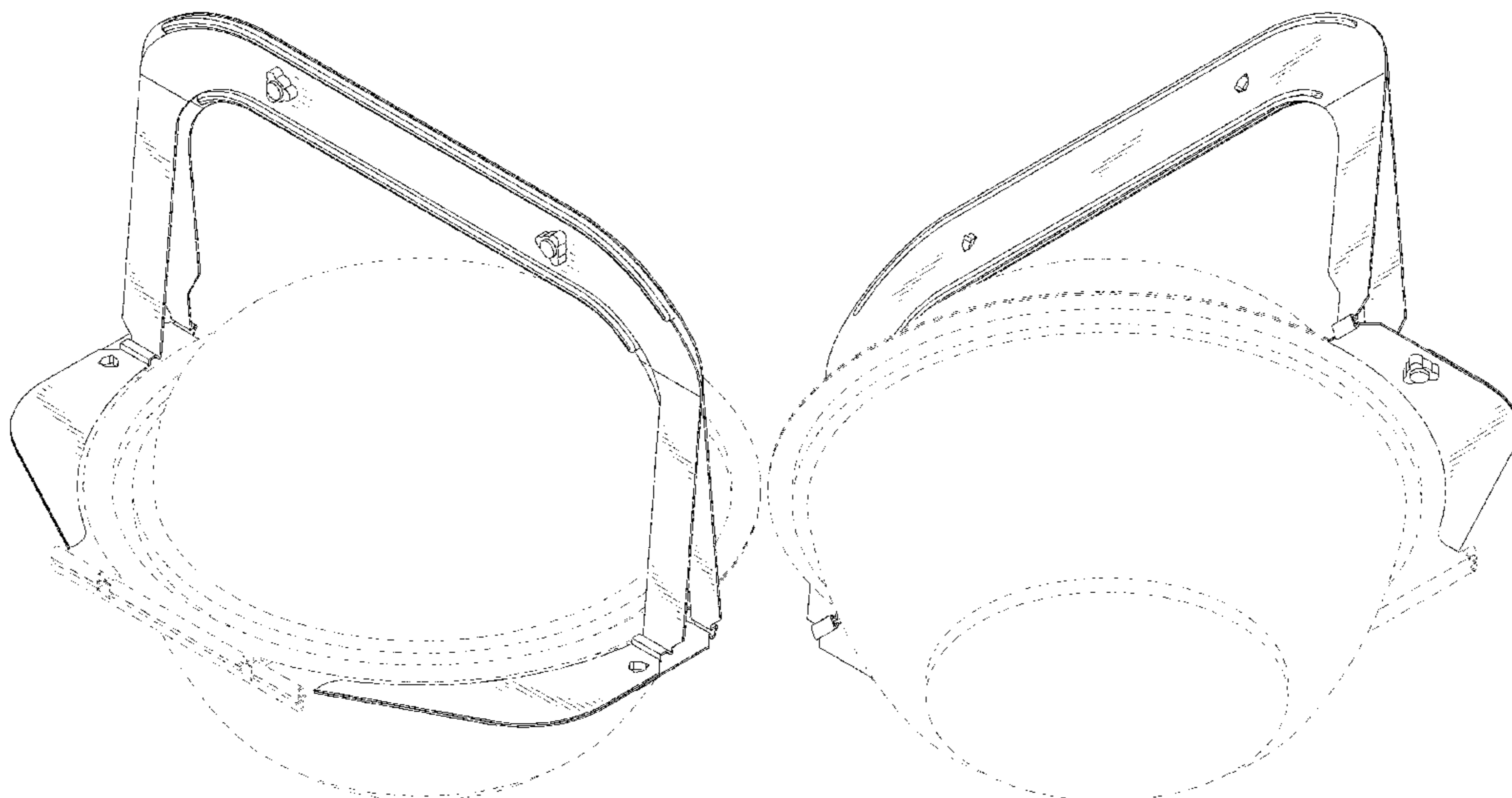
FIG. 1 is a perspective view of a handle for a container, showing my new design;
 FIG. 2 is another perspective view thereof;
 FIG. 3 is a front view thereof;
 FIG. 4 is a rear view thereof;
 FIG. 5 is a left side view thereof;
 FIG. 6 is a right side view thereof;
 FIG. 7 is a top view thereof; and,
 FIG. 8 is a bottom view thereof.

The broken lines shown are included for the purpose of illustrating unclaimed portions of the article and form no part of the claimed design. The dot-dash lines represent the boundaries of the claim and form no part thereof.

1 Claim, 8 Drawing Sheets

(56) **References Cited**
 U.S. PATENT DOCUMENTS

- D184,315 S * 1/1959 Jennings D34/28
- 3,000,527 A * 9/1961 Jennings A47J 45/077
215/397
- 3,189,937 A * 6/1965 Sciortino A47G 23/0266
294/33
- D211,322 S * 6/1968 Updegraff D9/434



(56)

References Cited

U.S. PATENT DOCUMENTS

D631,732 S *	2/2011	Krawczak	D8/373
D667,299 S *	9/2012	Dom	D9/434
D704,551 S *	5/2014	Wycoff	A47J 45/077
			D9/434
D746,155 S *	12/2015	Borg	D9/434
10,273,051 B2 *	4/2019	Ring	B65D 23/108
2013/0008915 A1 *	1/2013	Dorn	A45F 5/102
			220/755

* cited by examiner

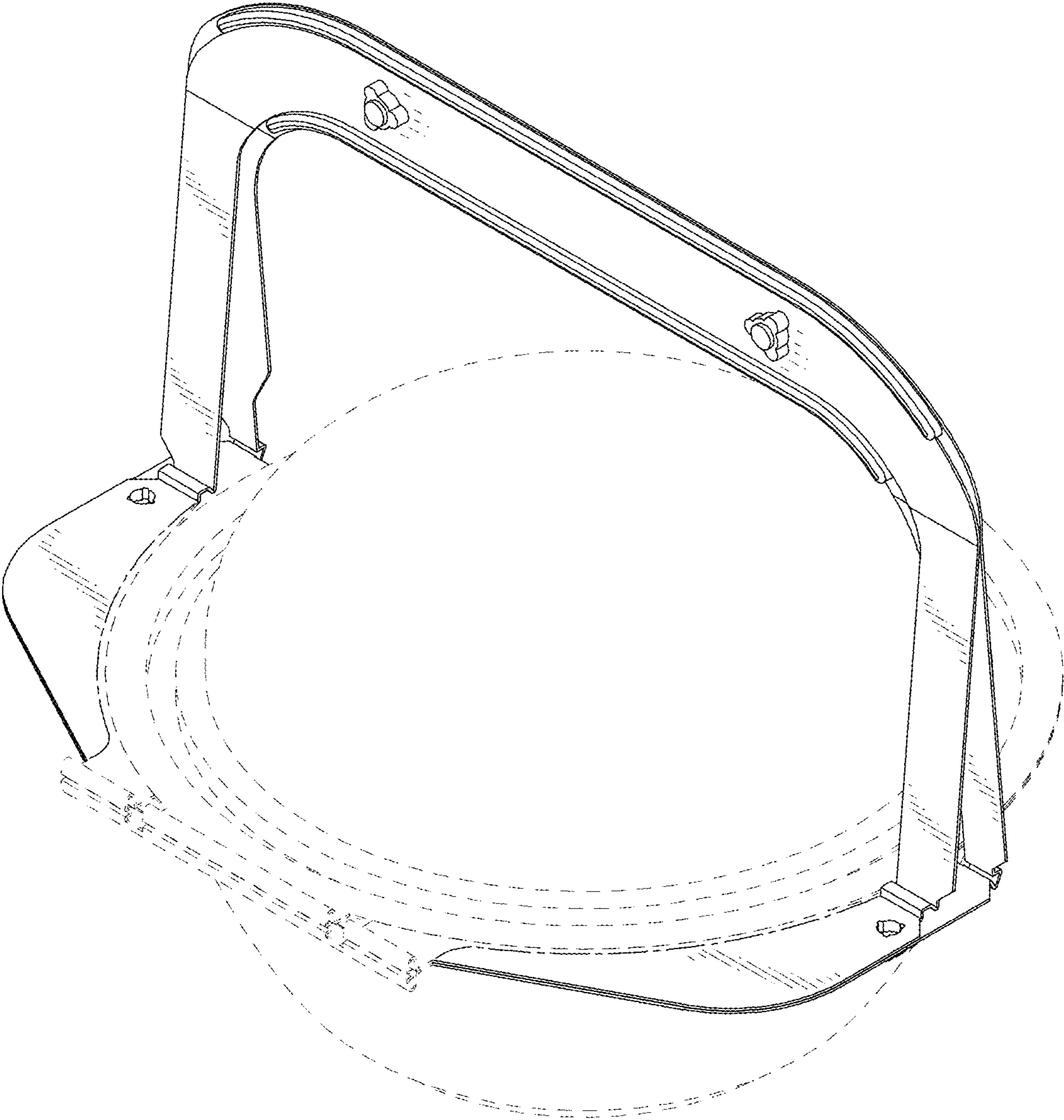


FIG.1

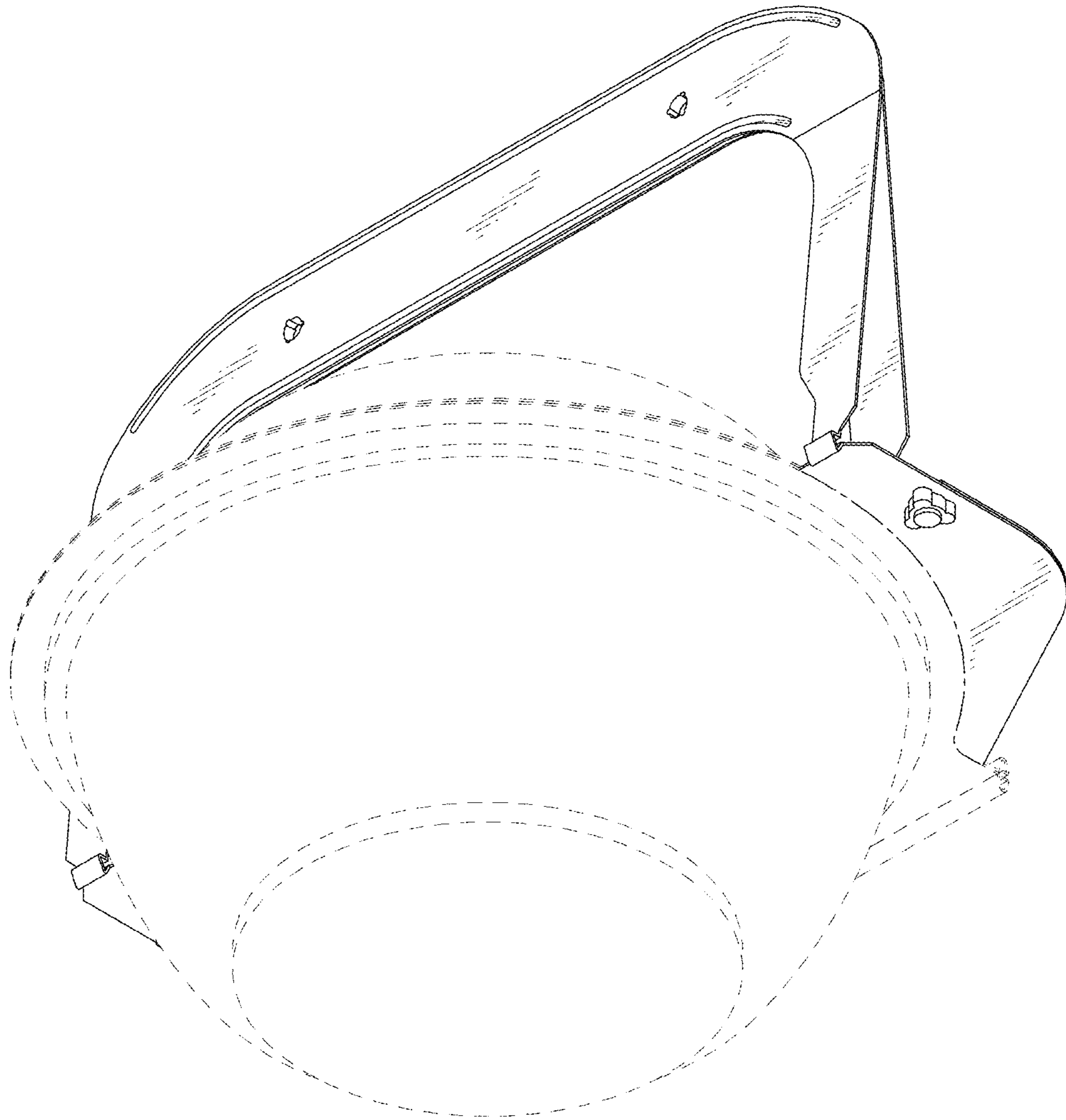


FIG.2

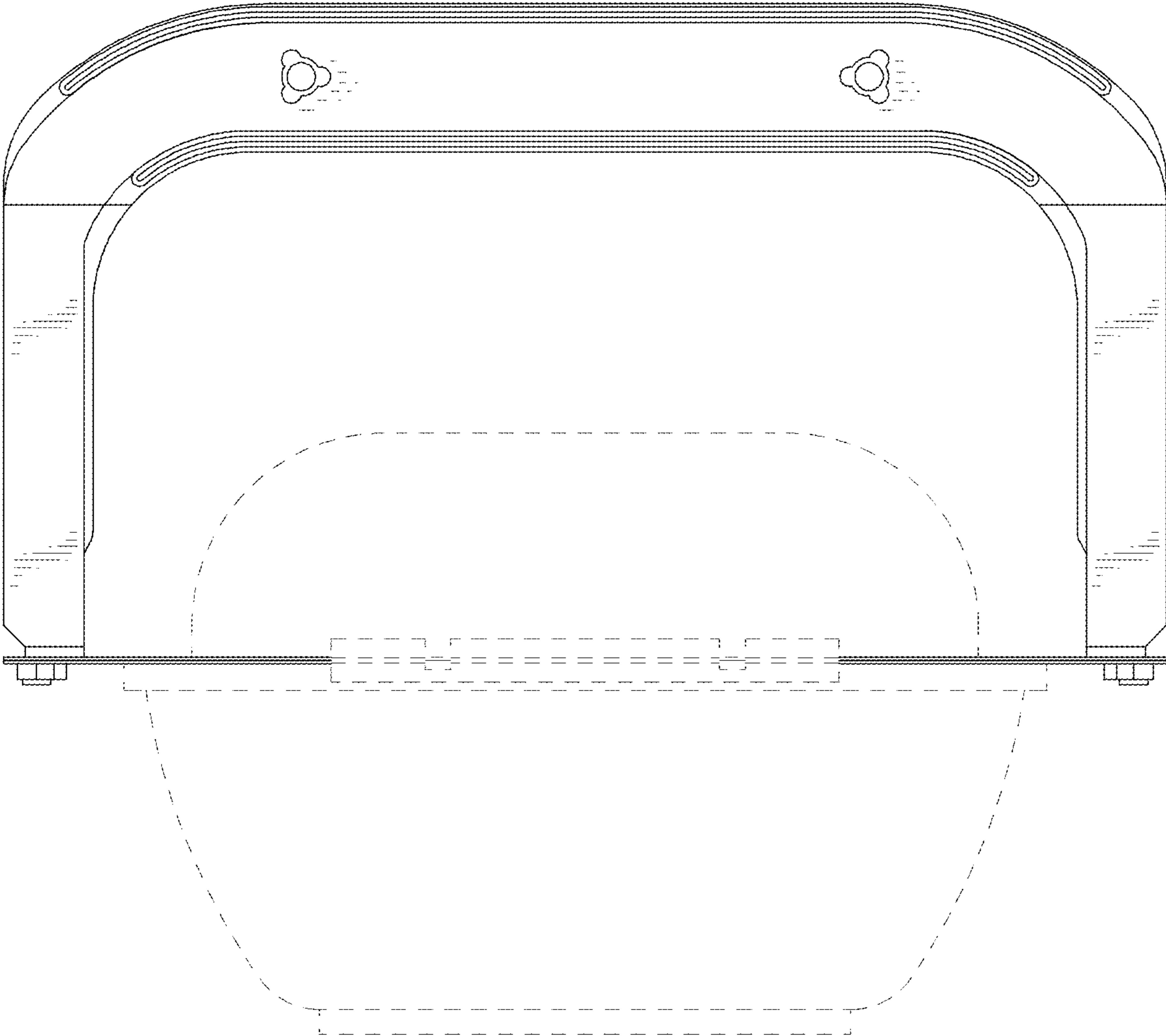


FIG.3

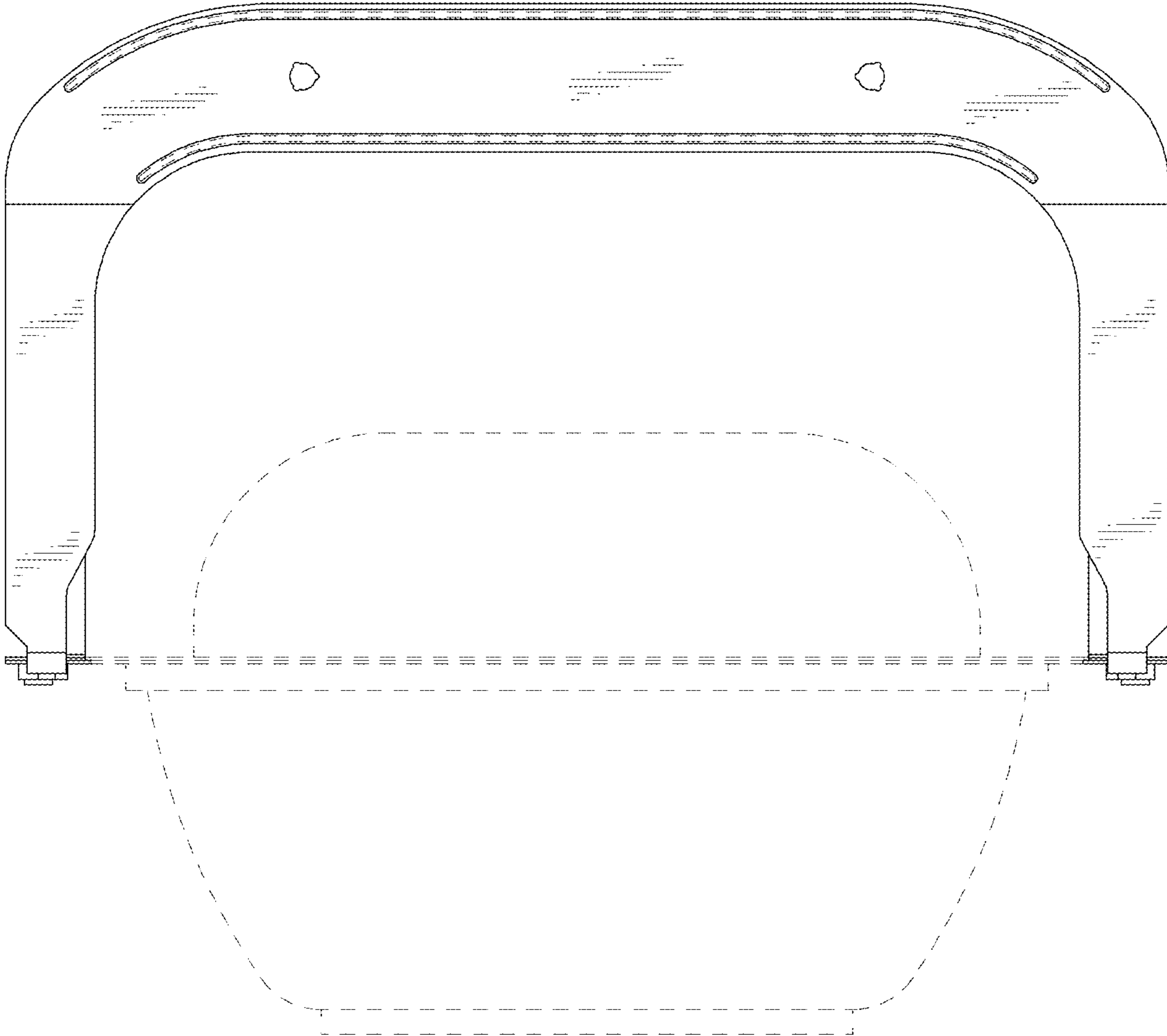


FIG.4

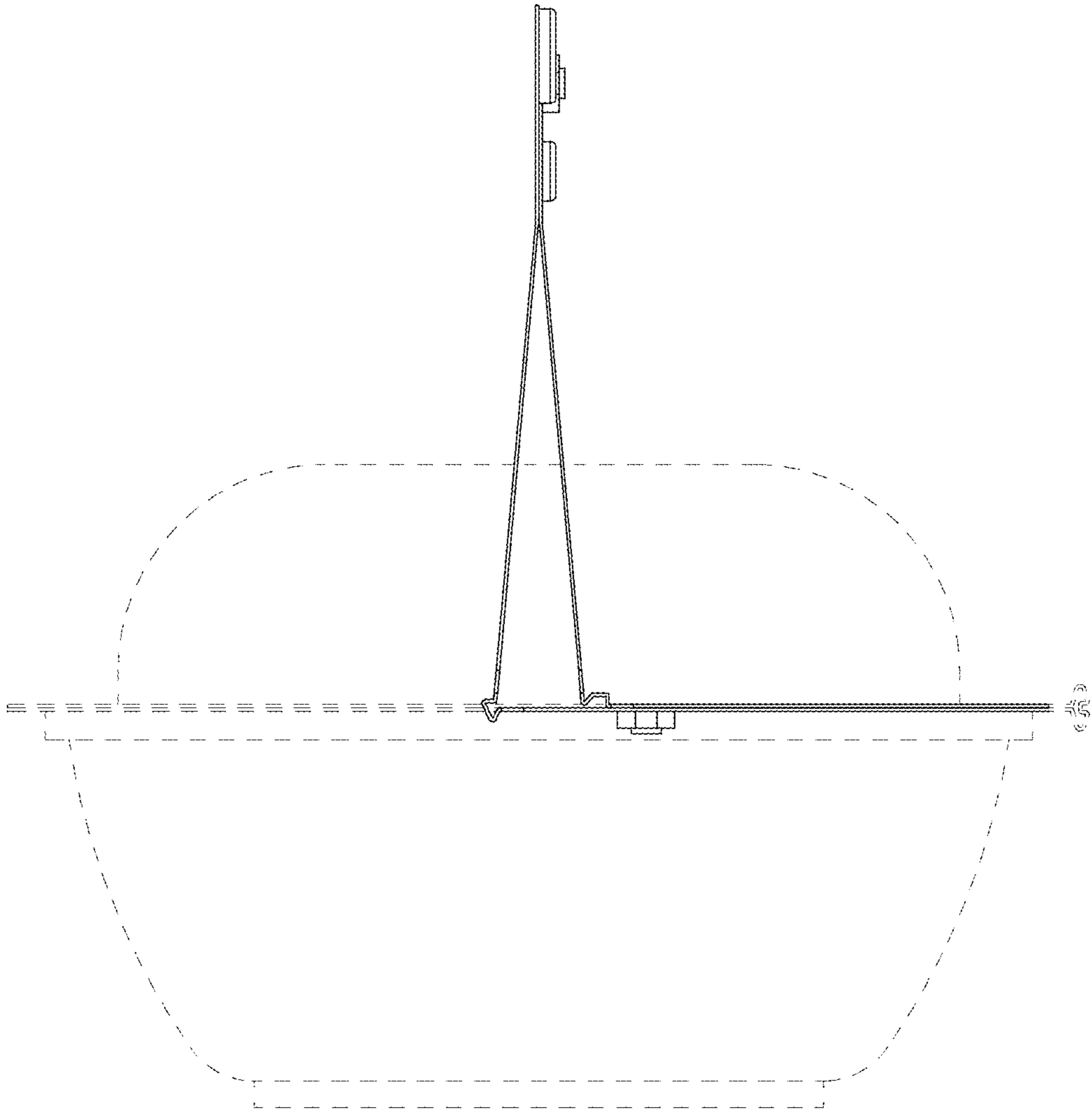


FIG.5

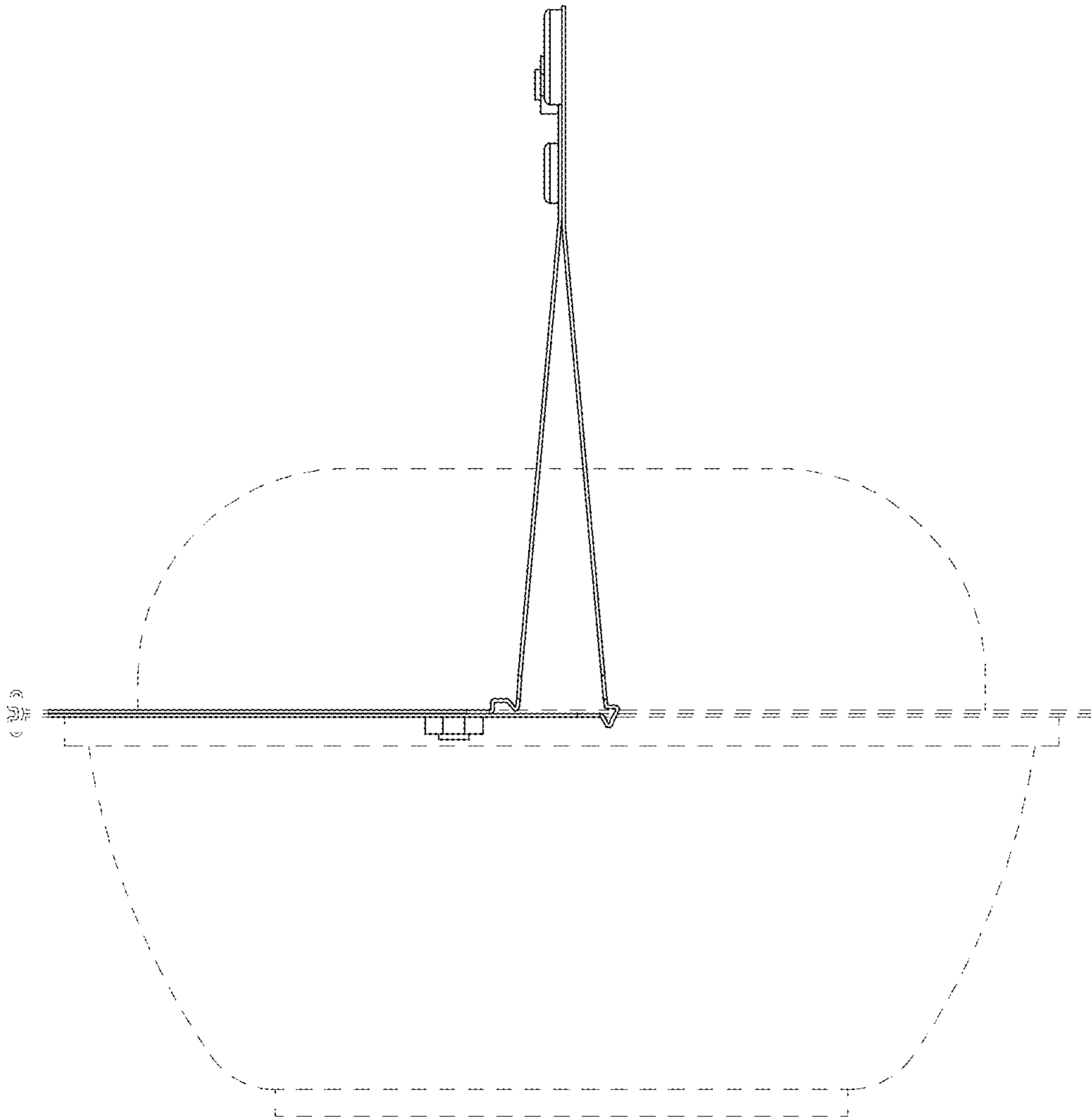


FIG.6

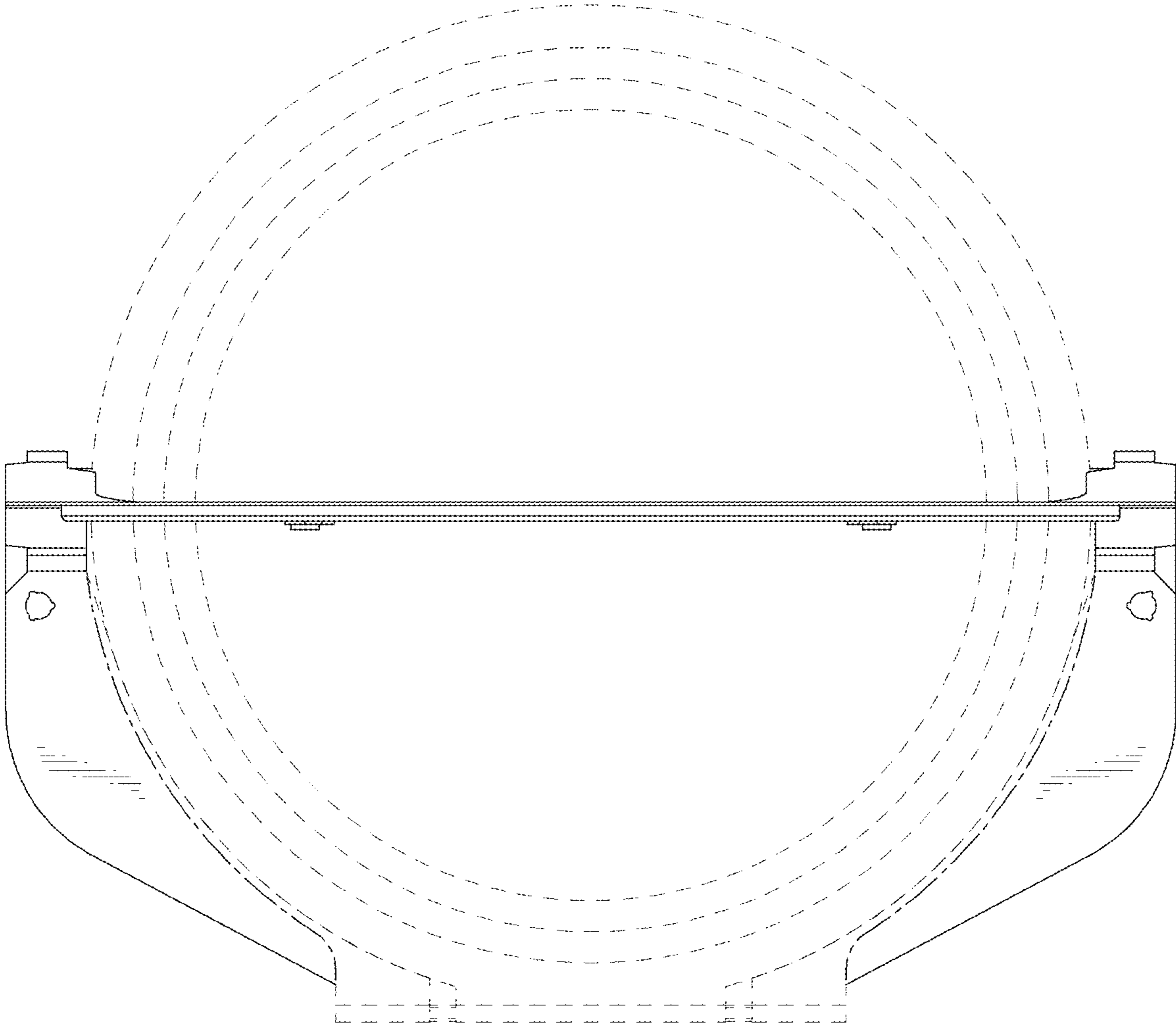


FIG.7

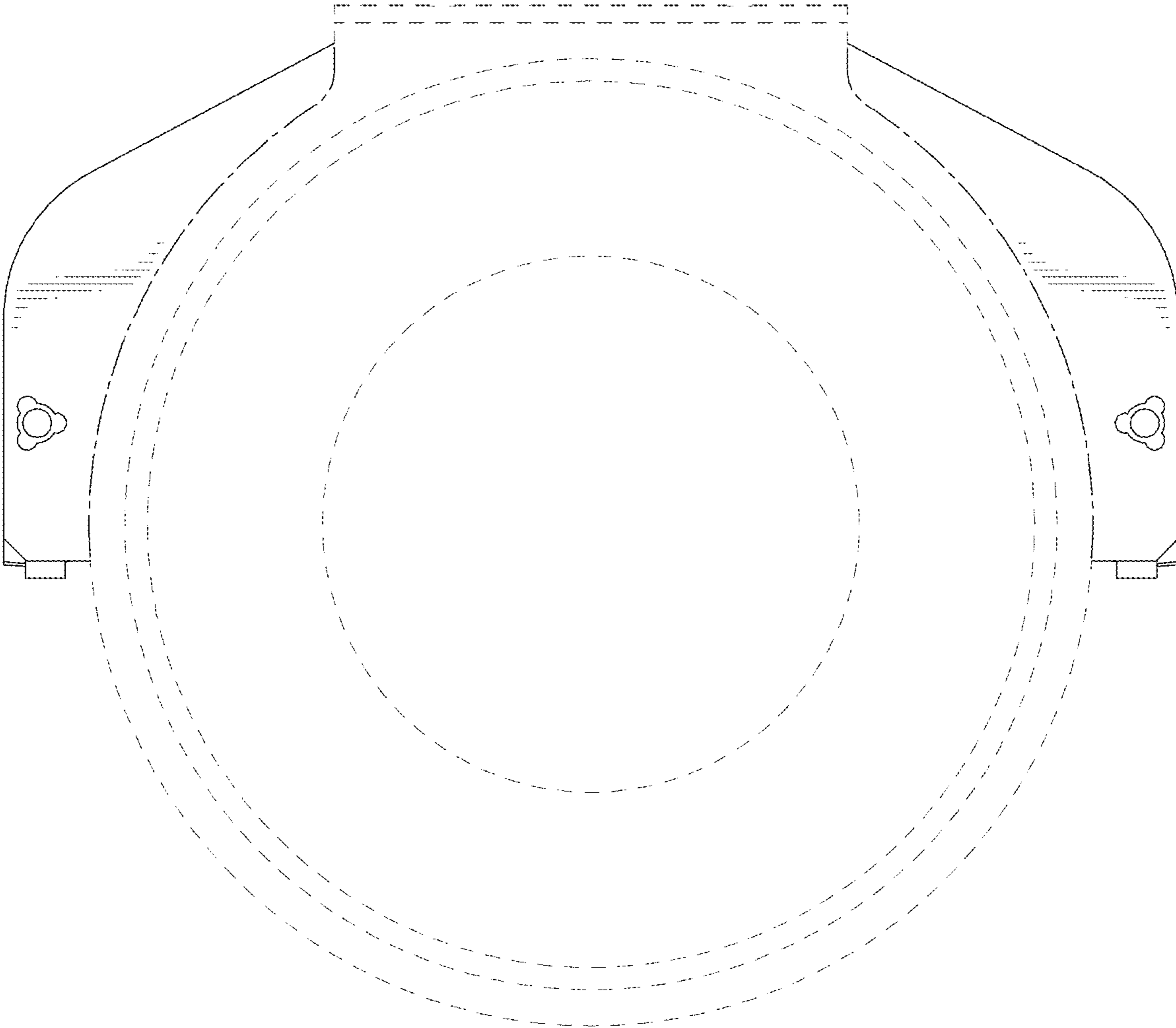


FIG.8