



US00D886600S

(12) **United States Design Patent** (10) **Patent No.:** **US D886,600 S**  
**Wu** (45) **Date of Patent:** **\*\* Jun. 9, 2020**

(54) **CONTAINER**  
(71) Applicant: **Jingdong Wu**, Taishan (CN)  
(72) Inventor: **Jingdong Wu**, Taishan (CN)  
(\*\*) Term: **15 Years**  
(21) Appl. No.: **29/645,606**  
(22) Filed: **Apr. 27, 2018**  
(51) **LOC (12) Cl.** ..... **09-03**  
(52) **U.S. Cl.**  
USPC ..... **D9/428**  
(58) **Field of Classification Search**  
USPC ..... D7/400, 601, 608; D9/416, 417, 420,  
D9/425-429, 430, 432, 761; 206/499,  
206/501, 502, 821; 220/625, 656, 669,  
220/670, 674; 229/123.1, 123.2, 125.33,  
229/125.35, 400-407, 915, 939  
CPC . B65D 1/26; B65D 1/40; B65D 5/243; B65D  
81/3453; B65D 2581/34; B65D  
2581/3404; B65D 2581/3456  
See application file for complete search history.

(56) **References Cited**

**U.S. PATENT DOCUMENTS**

5,862,977 A \* 1/1999 Hirano ..... B65D 1/28  
229/4.5  
D415,420 S \* 10/1999 Chen ..... D7/629  
D491,455 S \* 6/2004 Li ..... D9/428  
7,055,712 B2 \* 6/2006 Tang ..... B65D 21/0219  
220/366.1  
8,387,821 B2 \* 3/2013 Yin ..... B65D 43/021  
220/315  
D702,510 S \* 4/2014 Segal ..... D7/629  
D730,727 S \* 6/2015 Chen ..... D9/500

2003/0155353 A1\* 8/2003 Tucker ..... B65D 21/0222  
220/4.24

\* cited by examiner

*Primary Examiner* — Janice Patyk

(74) *Attorney, Agent, or Firm* — Innovation Capital Law Group, LLP; Vic Lin

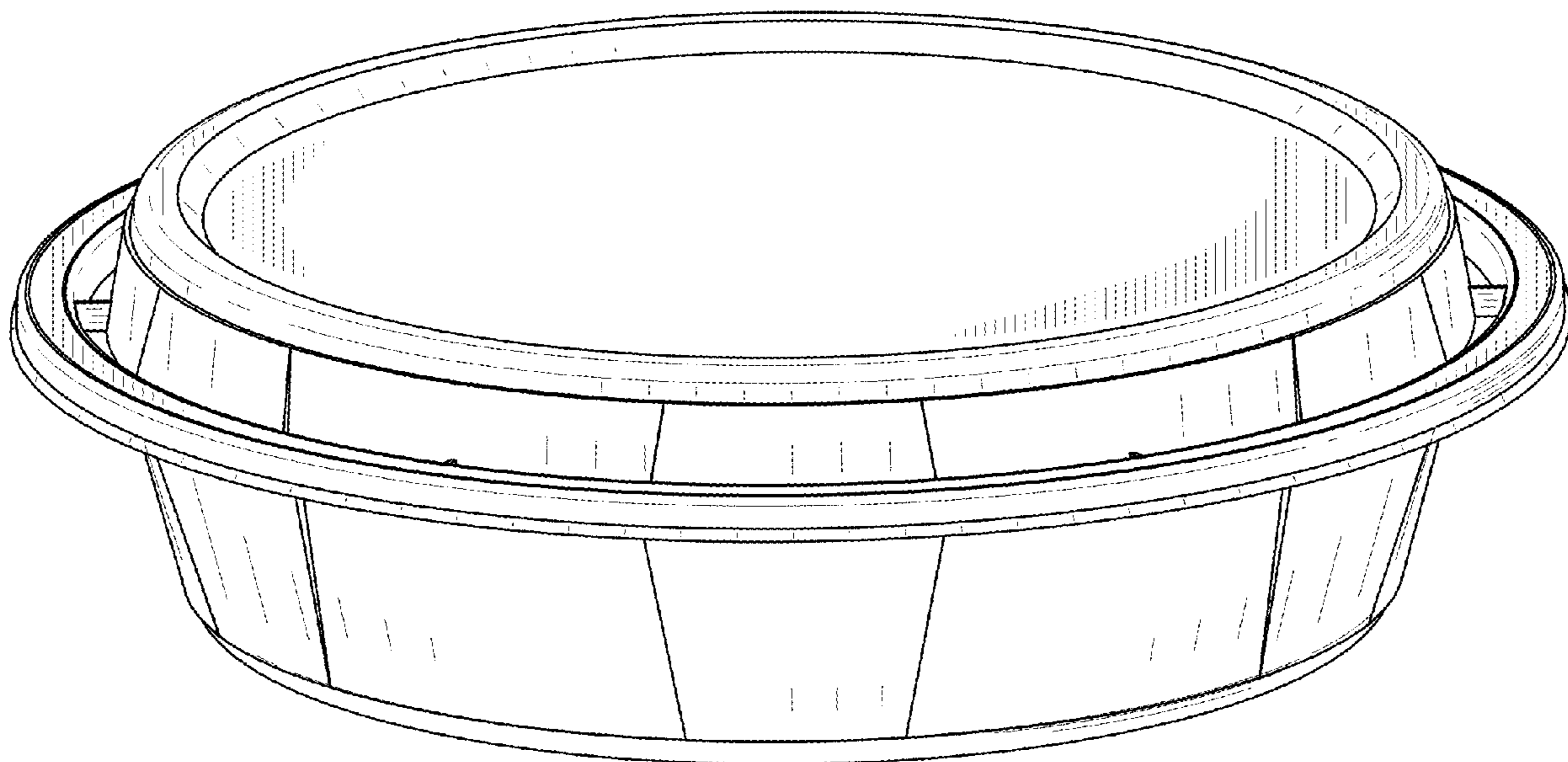
(57) **CLAIM**

The ornamental design for a container, as shown and described.

**DESCRIPTION**

FIG. 1 is a front elevation view of a container, showing my new design;  
FIG. 2 is a top plan view of the container;  
FIG. 3 is a bottom plan view of the container;  
FIG. 4 is a top perspective view of the container;  
FIG. 5 is a bottom perspective view of the container;  
FIG. 6 is a front cross-section view of the container, taken along line 6-6 of FIG. 2;  
FIG. 7 is a partially enlarged front cross-section view of the container, taken from FIG. 6;  
FIG. 8 is an exploded front elevation view of the container;  
FIG. 9 is an exploded top plan view of the container;  
FIG. 10 is an exploded bottom plan view of the container;  
FIG. 11 is an exploded top perspective view of the container;  
FIG. 12 is an exploded bottom perspective view of the container; and,  
FIG. 13 is an exploded front cross-section view of the container, taken along line 13-13 of FIG. 9.  
The dot-dash broken lines of FIGS. 6 and 7 are included to show a partially enlarged view only and form no part of the claimed design.

**1 Claim, 13 Drawing Sheets**



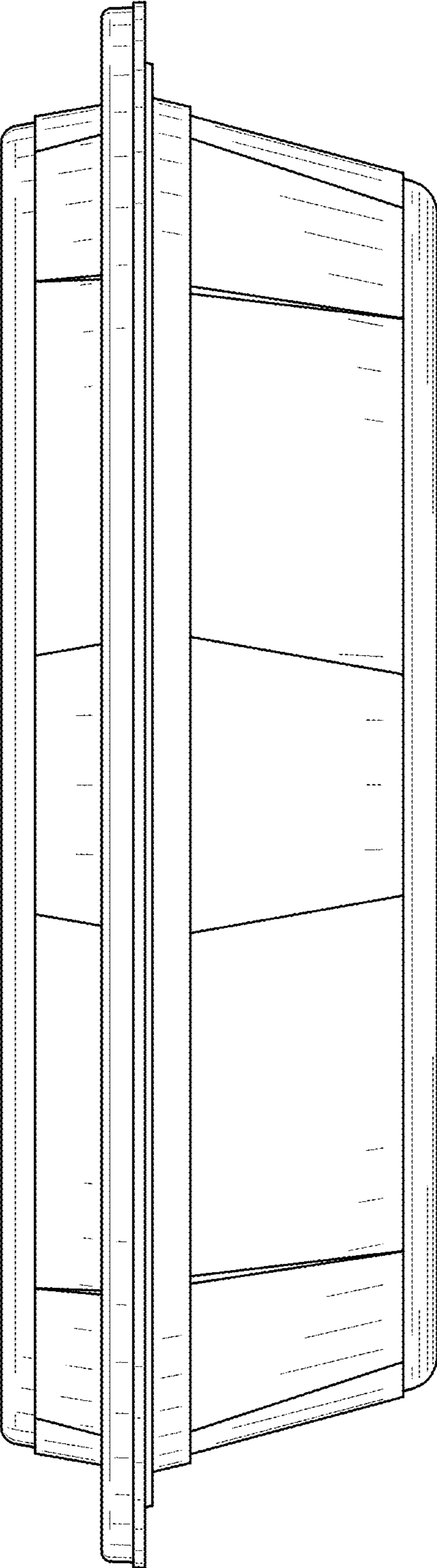


FIG. 1

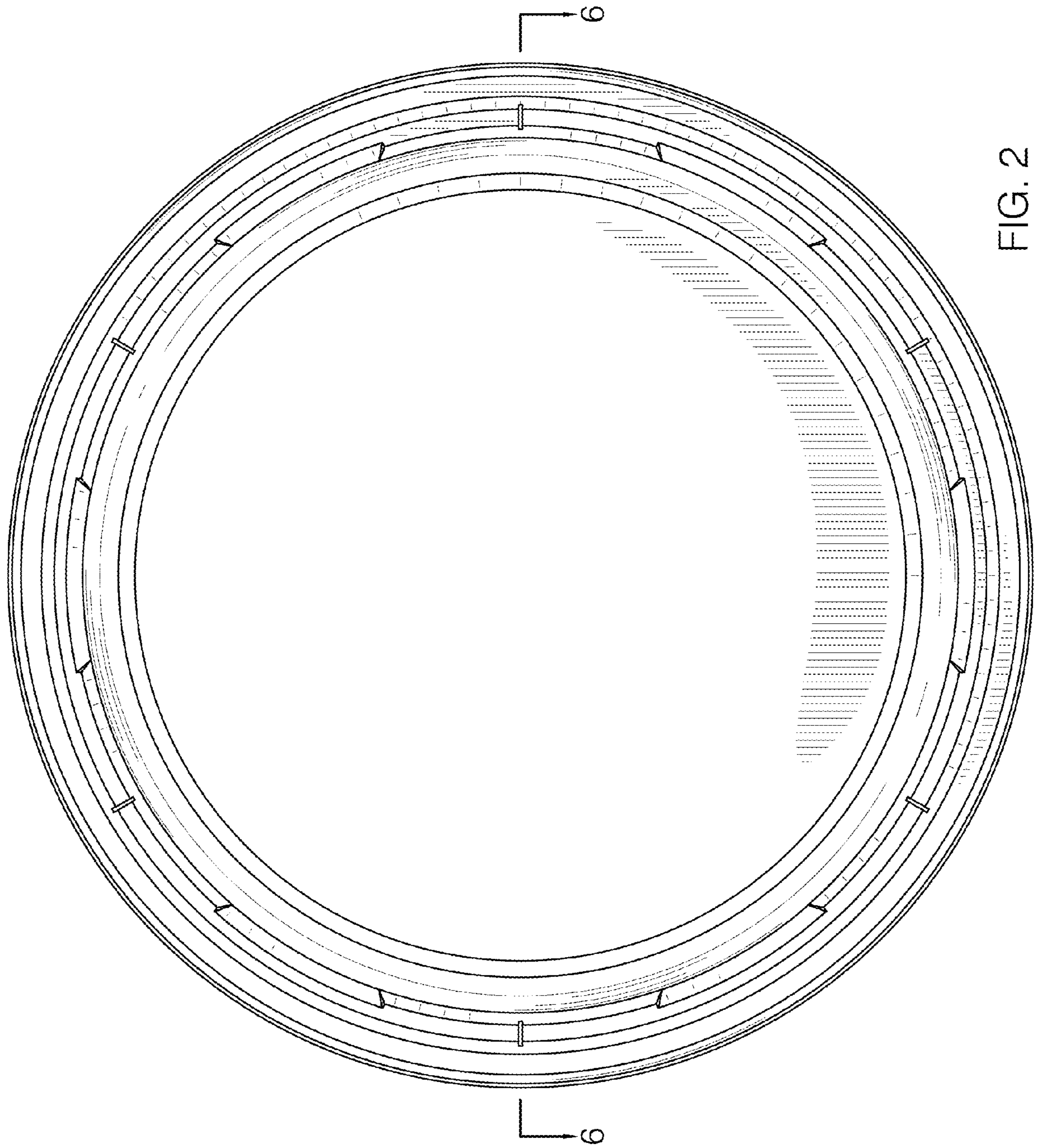


FIG. 2

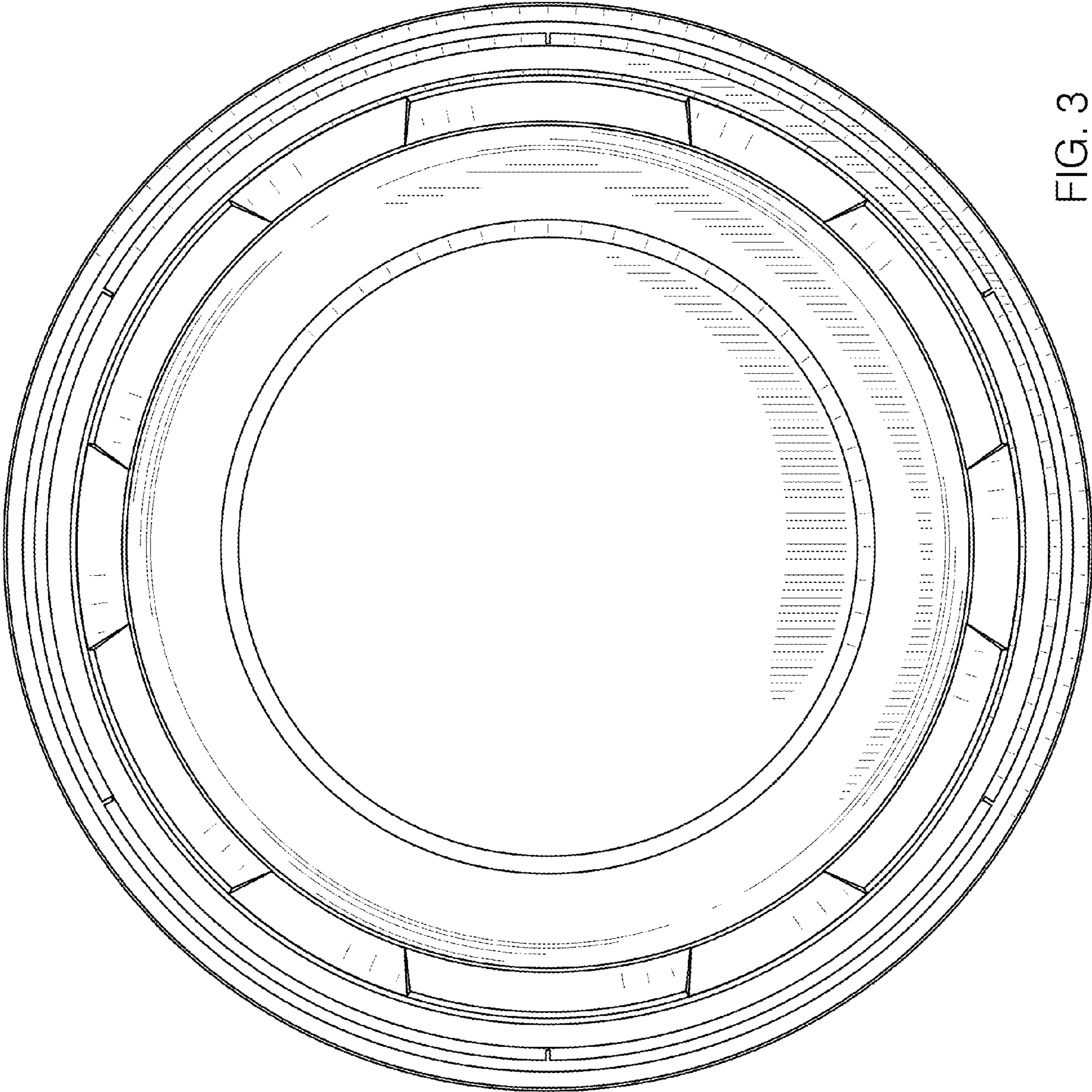


FIG. 3

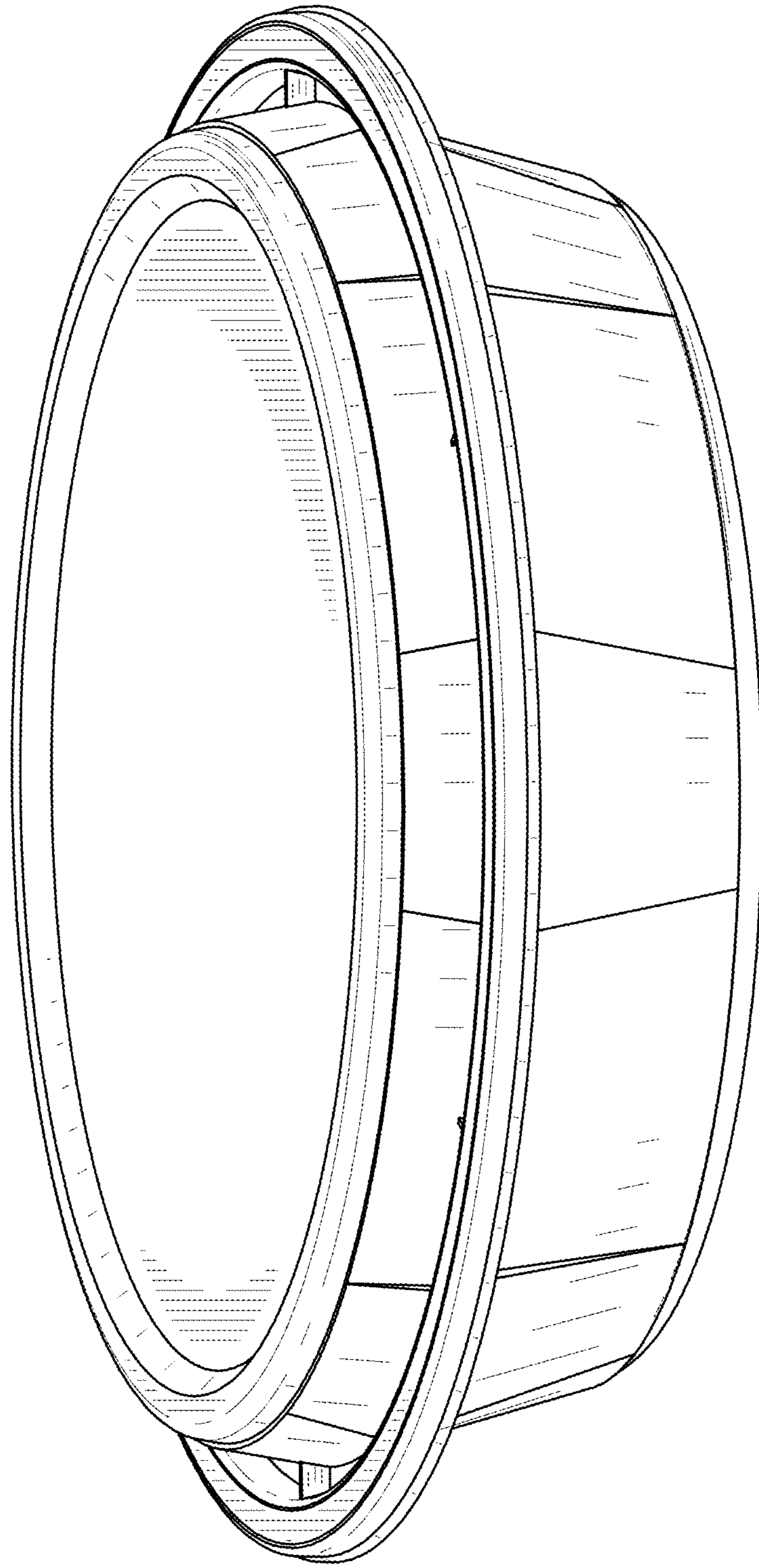


FIG. 4

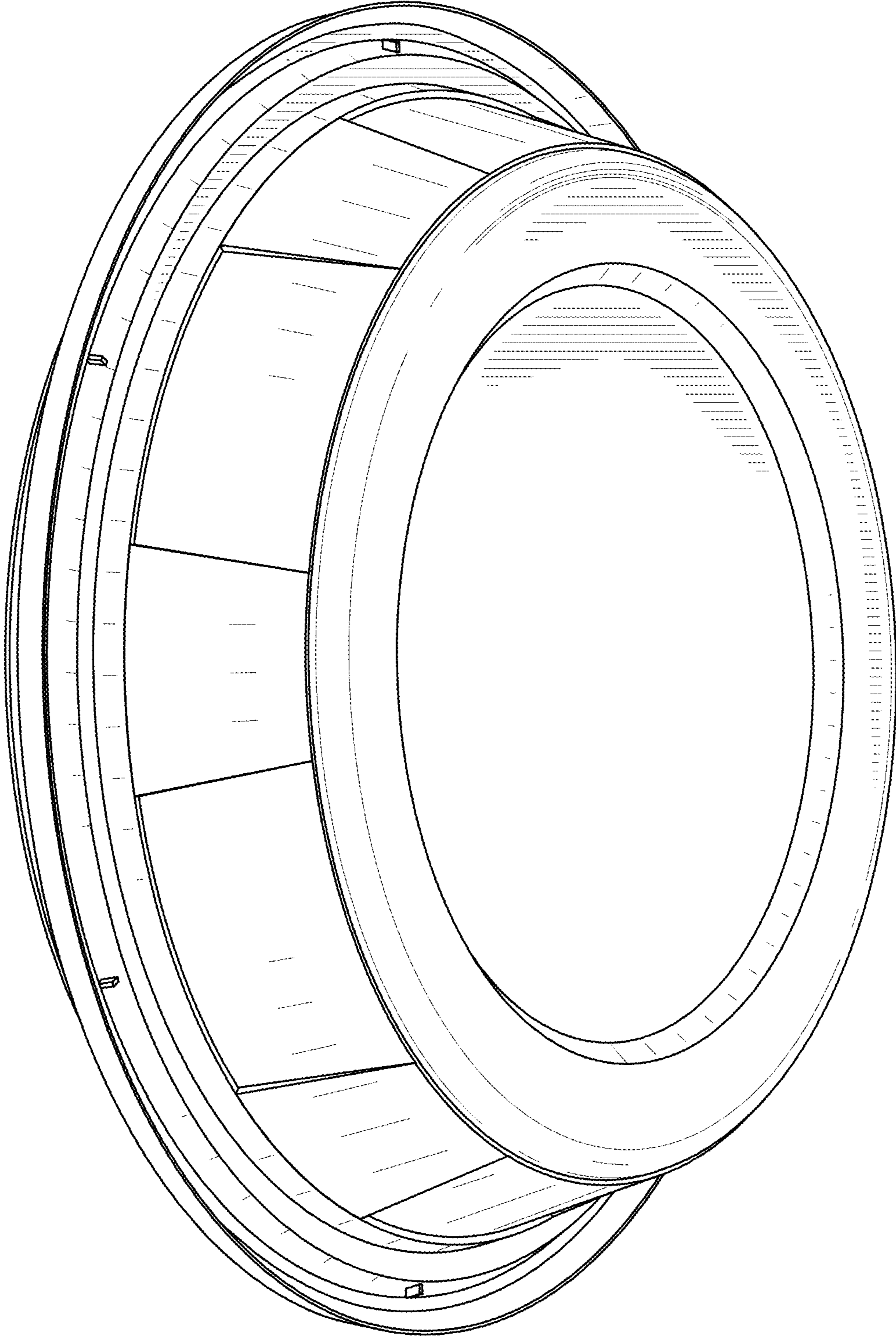


FIG. 5

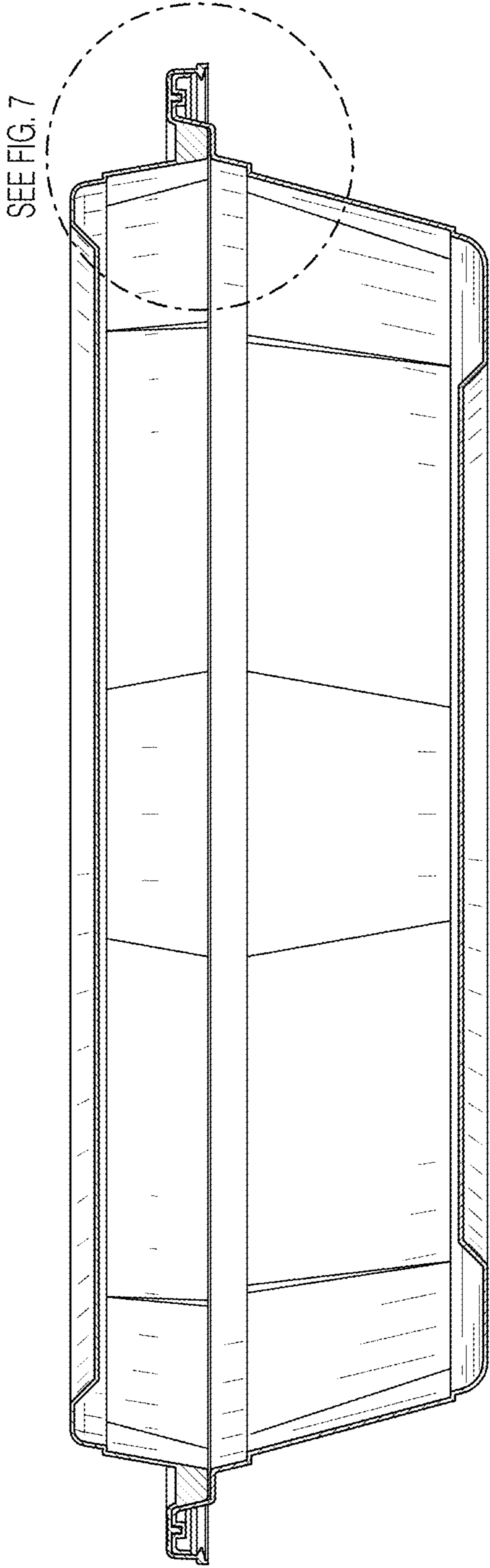


FIG. 6

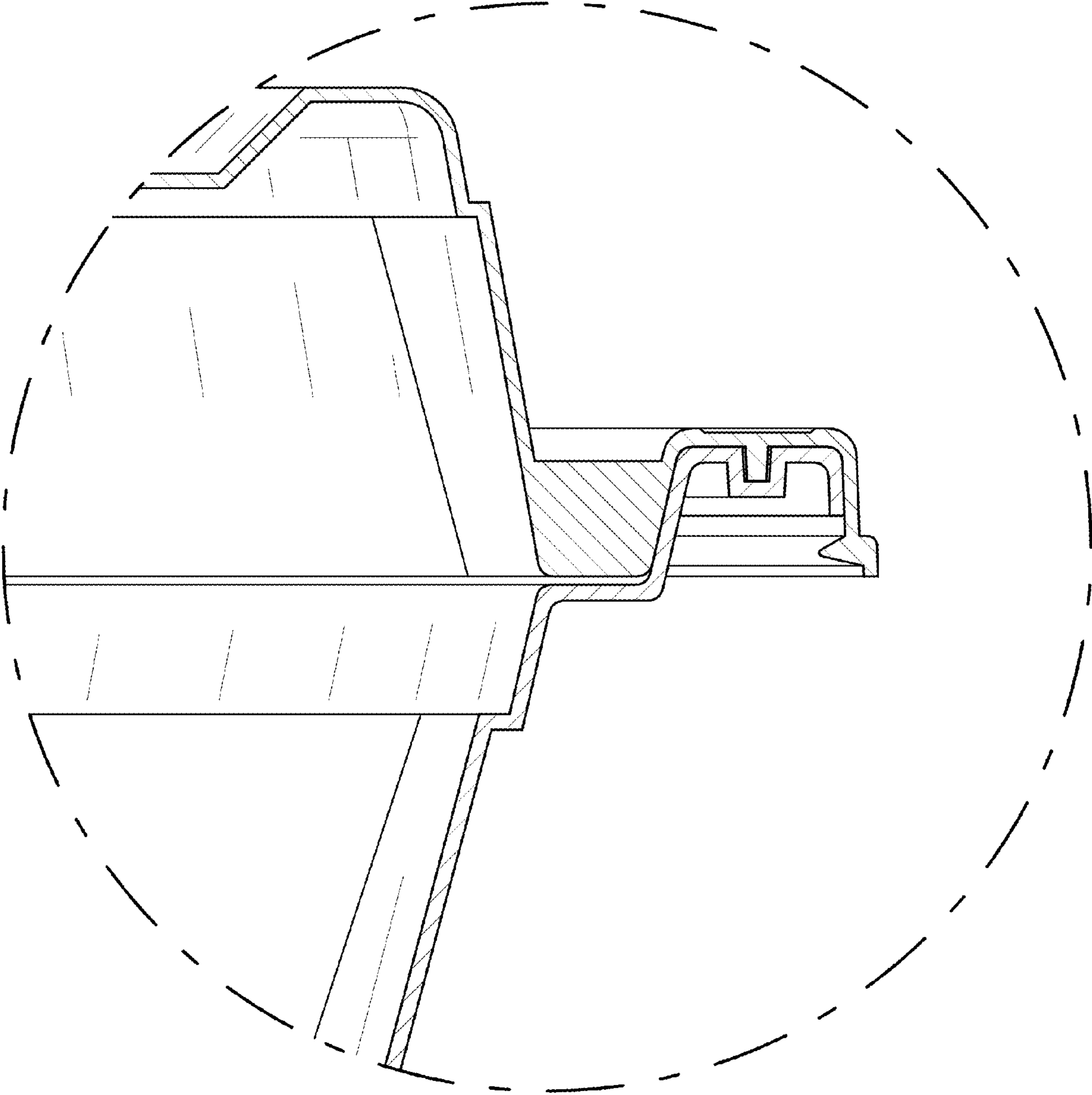


FIG. 7



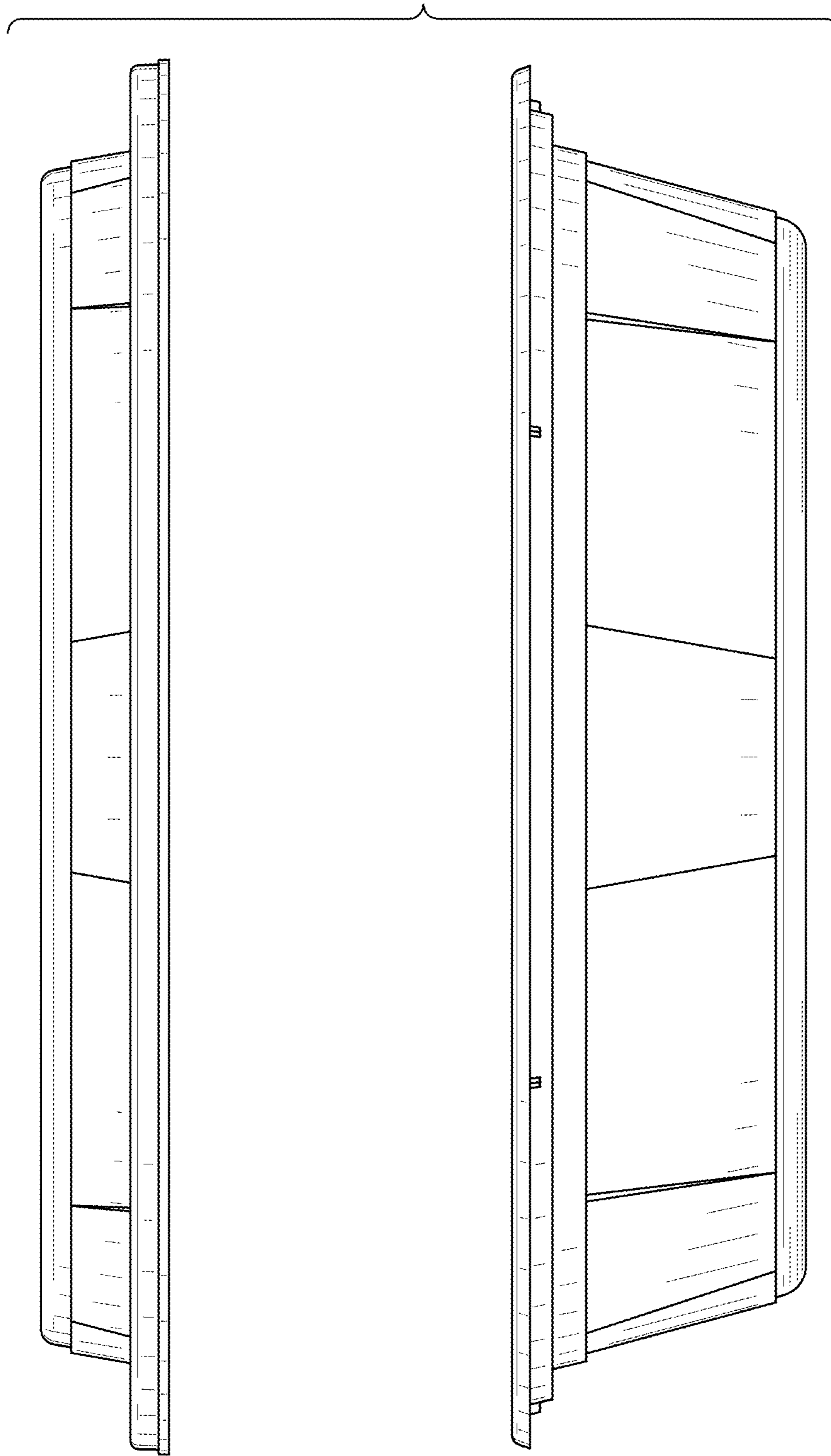


FIG. 8

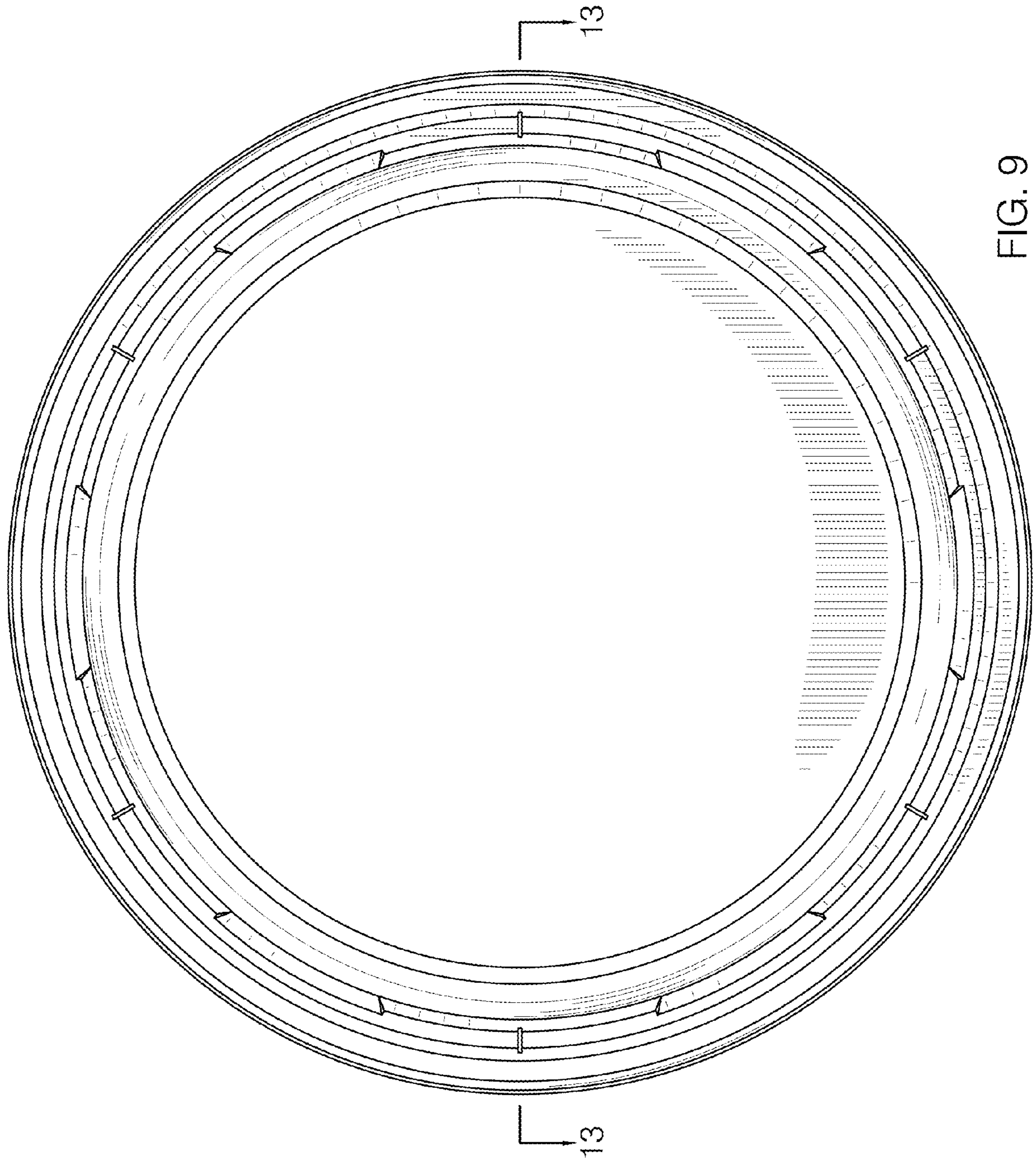


FIG. 9

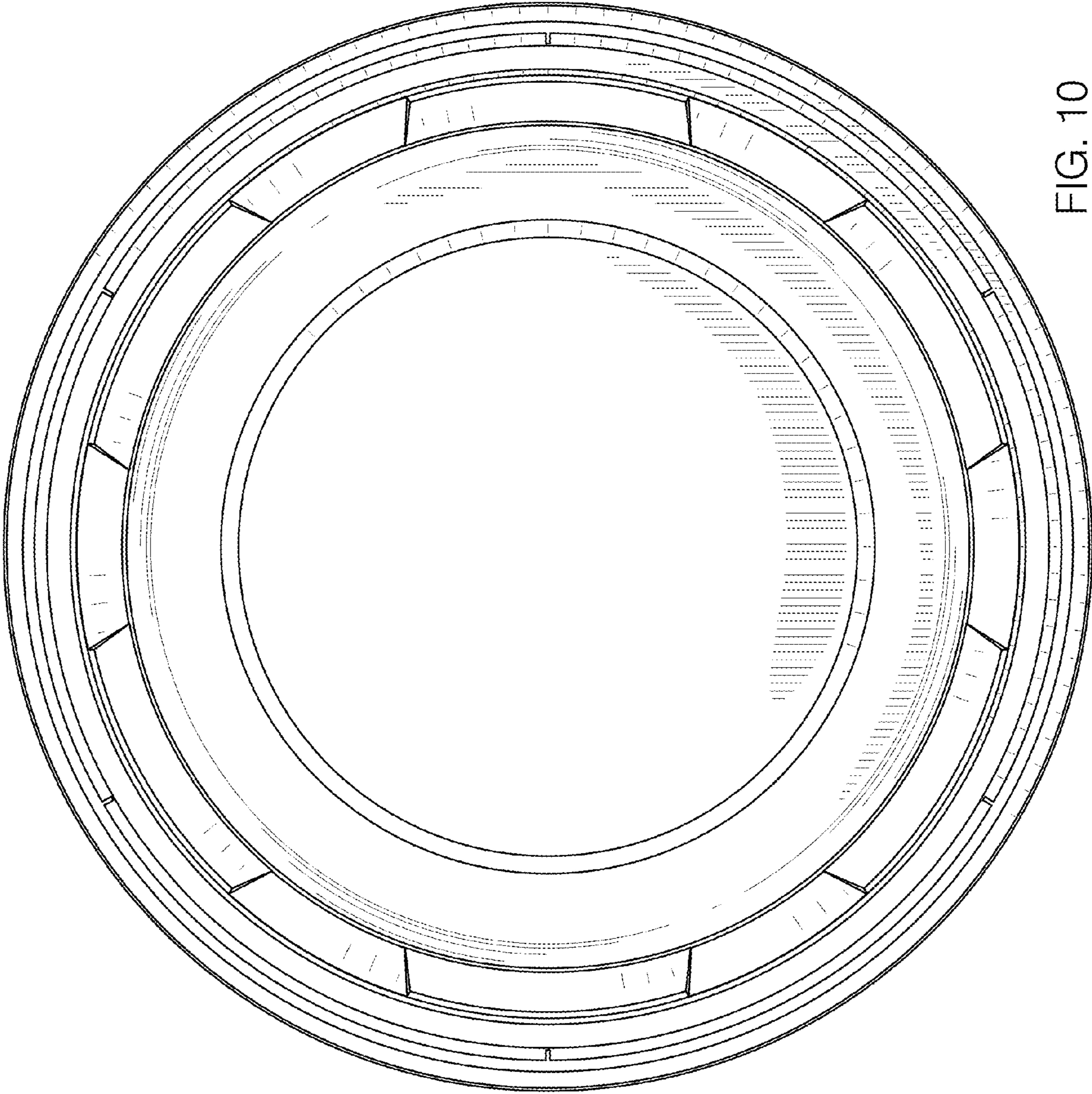


FIG. 10

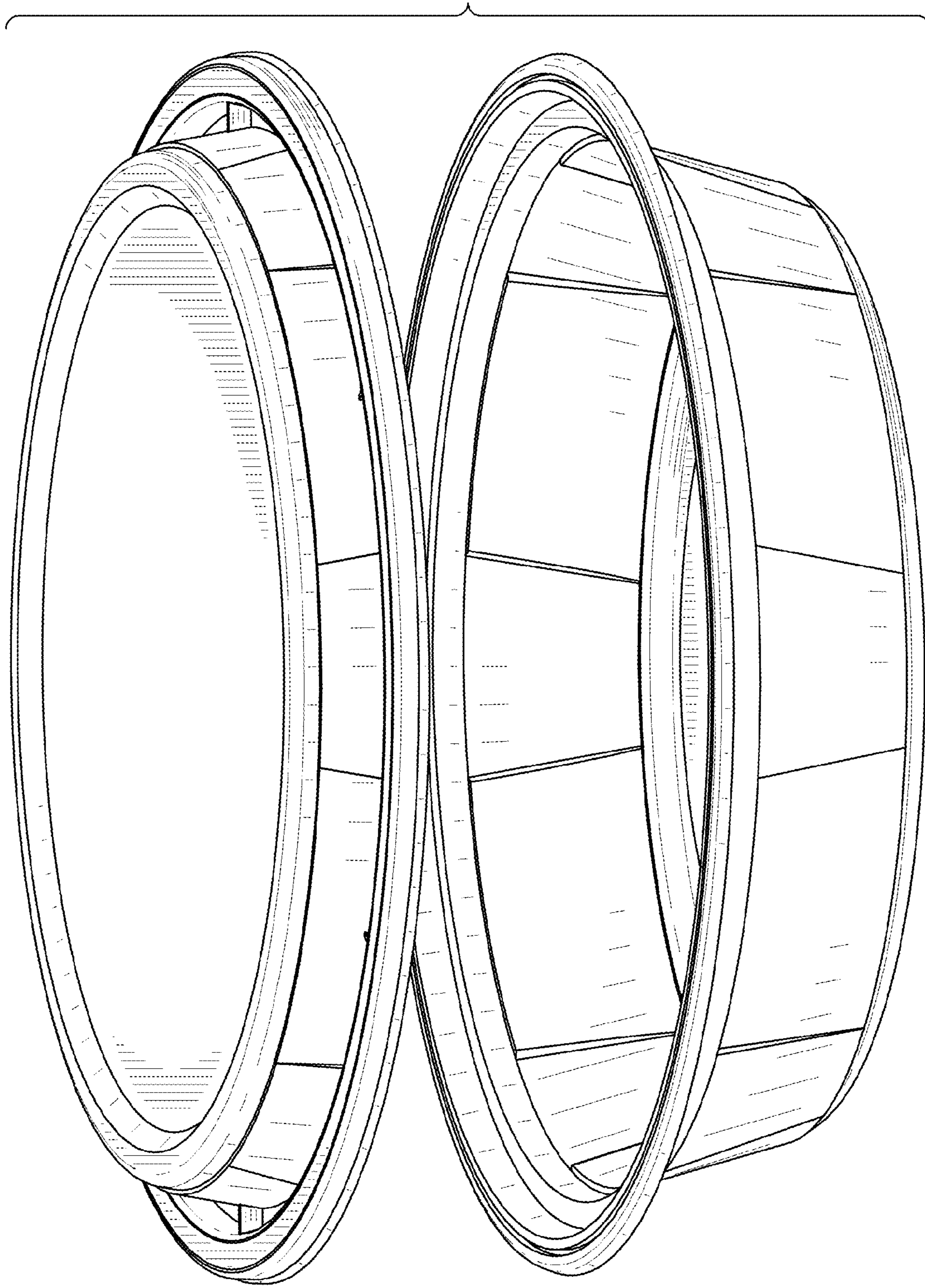


FIG. 11

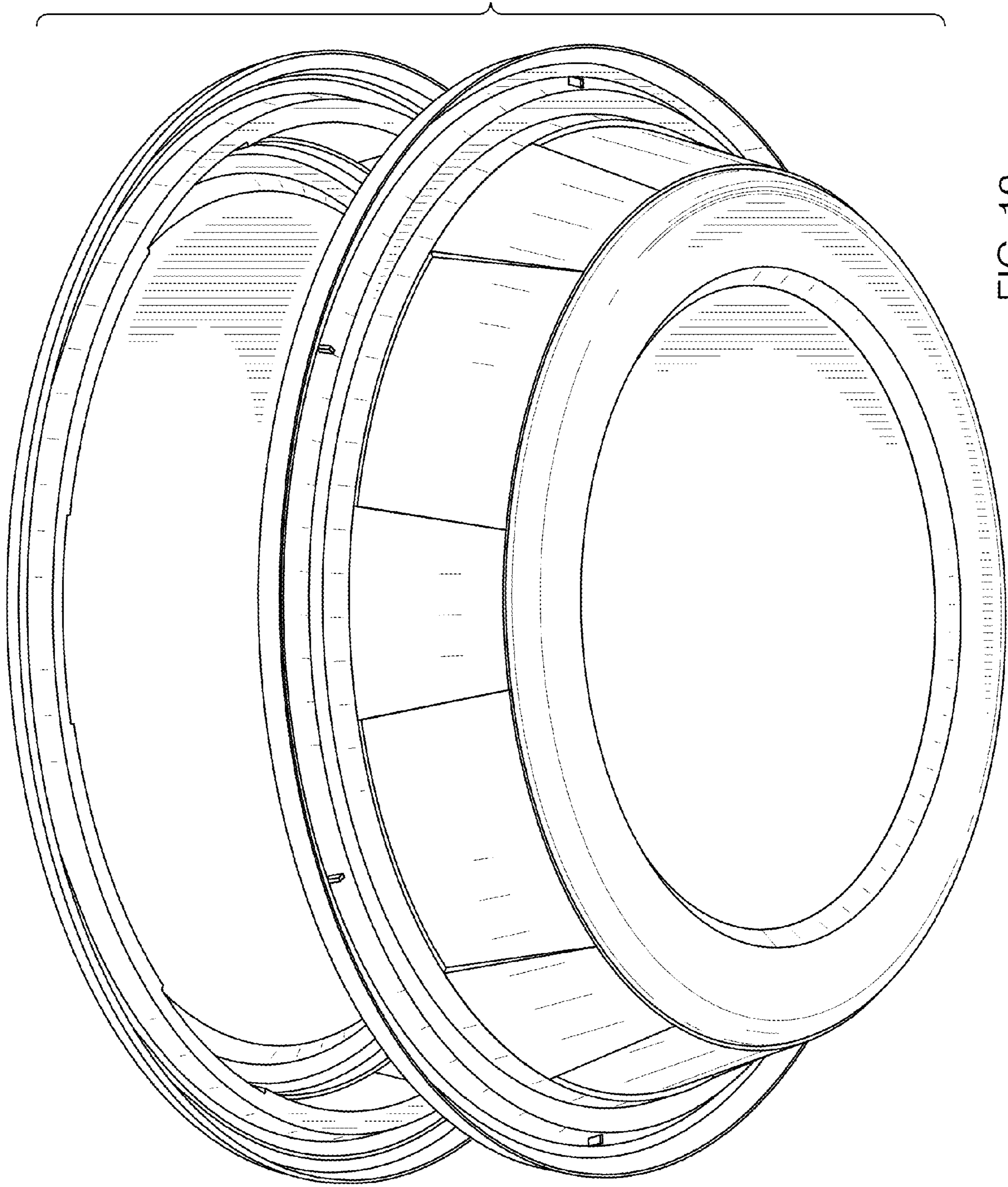


FIG. 12

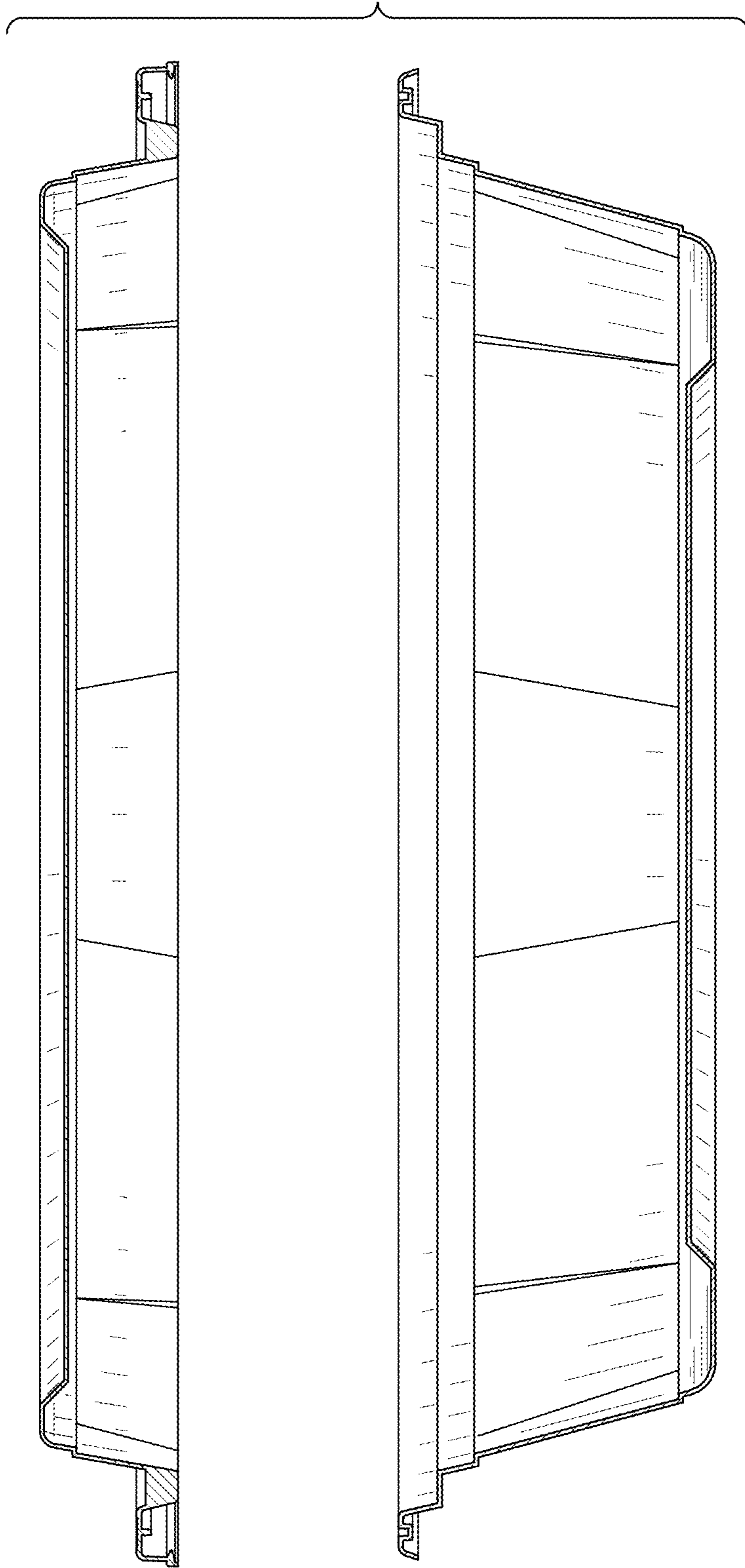


FIG. 13