



US00D886599S

(12) **United States Design Patent** (10) **Patent No.:** **US D886,599 S**  
**Holub-Kunkel et al.** (45) **Date of Patent:** **\*\* Jun. 9, 2020**

(54) **ICE CREAM PACKAGE**  
 (71) Applicant: **Wells Enterprises, Inc.**, LeMars, IA (US)  
 (72) Inventors: **Charlotte Holub-Kunkel**, Remsen, IA (US); **Jess Keene**, Philadelphia, PA (US); **Mark Steele**, Clifton Park, NY (US); **Simon Gainey**, Media, PA (US)

D539,643 S \* 4/2007 Abel ..... D9/414  
 D555,982 S \* 11/2007 Tucker ..... D7/542  
 D642,068 S \* 7/2011 Milewski ..... D9/696  
 D656,816 S \* 4/2012 Glaser ..... D9/424  
 D677,151 S \* 3/2013 Magniet ..... D9/424  
 D693,687 S \* 11/2013 Karay ..... D7/540  
 2006/0289541 A1 \* 12/2006 Boback ..... B65D 43/0254  
 220/266

\* cited by examiner

(73) Assignee: **Wells Enterprises, Inc.**, LeMars, IA (US)

*Primary Examiner* — Janice Patyk  
 (74) *Attorney, Agent, or Firm* — Barnes & Thornburg LLP

(\*\*) Term: **15 Years**

(21) Appl. No.: **29/630,602**

(22) Filed: **Dec. 21, 2017**

(51) **LOC (12) Cl.** ..... **09-03**

(52) **U.S. Cl.**  
USPC ..... **D9/428**

(58) **Field of Classification Search**  
 USPC ..... D7/538–542, 602, 608, 629; D9/414, D9/420, 424–426, 429, 432, 761; 206/501–509; 220/781, 791, 793, 220/811–813, 835, 839  
 CPC ..... B65D 1/24; B65D 25/04; B65D 43/03; B65D 43/16; B65D 43/0212  
 See application file for complete search history.

(56) **References Cited**

U.S. PATENT DOCUMENTS

D307,544 S \* 5/1990 Conner ..... D9/503  
 D334,113 S \* 3/1993 Lewis ..... D7/629  
 D404,262 S \* 1/1999 McGill ..... D7/629  
 D424,768 S \* 5/2000 Tsou ..... D32/53  
 D519,327 S \* 4/2006 Tucker ..... D7/629

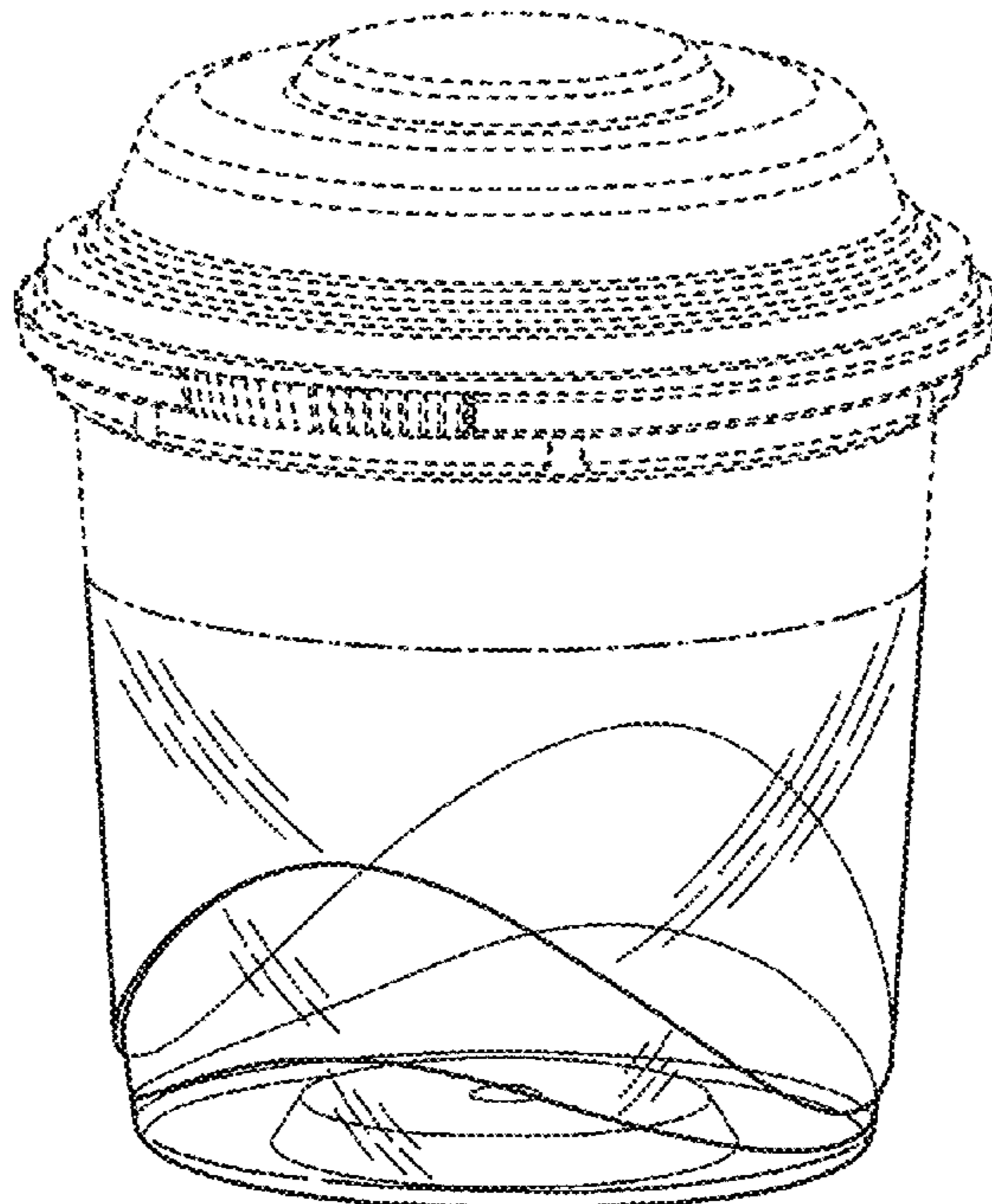
(57) **CLAIM**

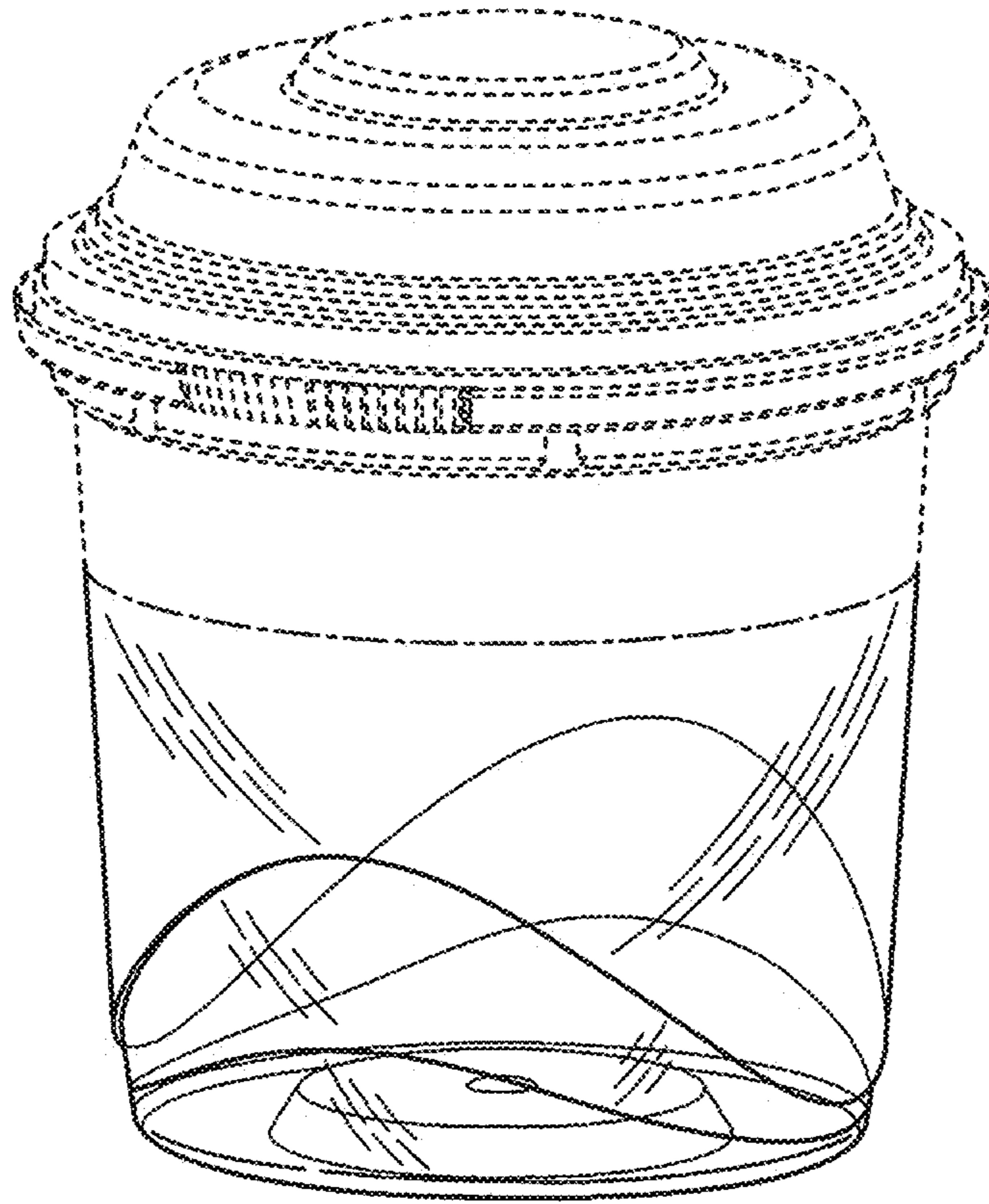
The ornamental design for an ice cream package, as shown and described.

**DESCRIPTION**

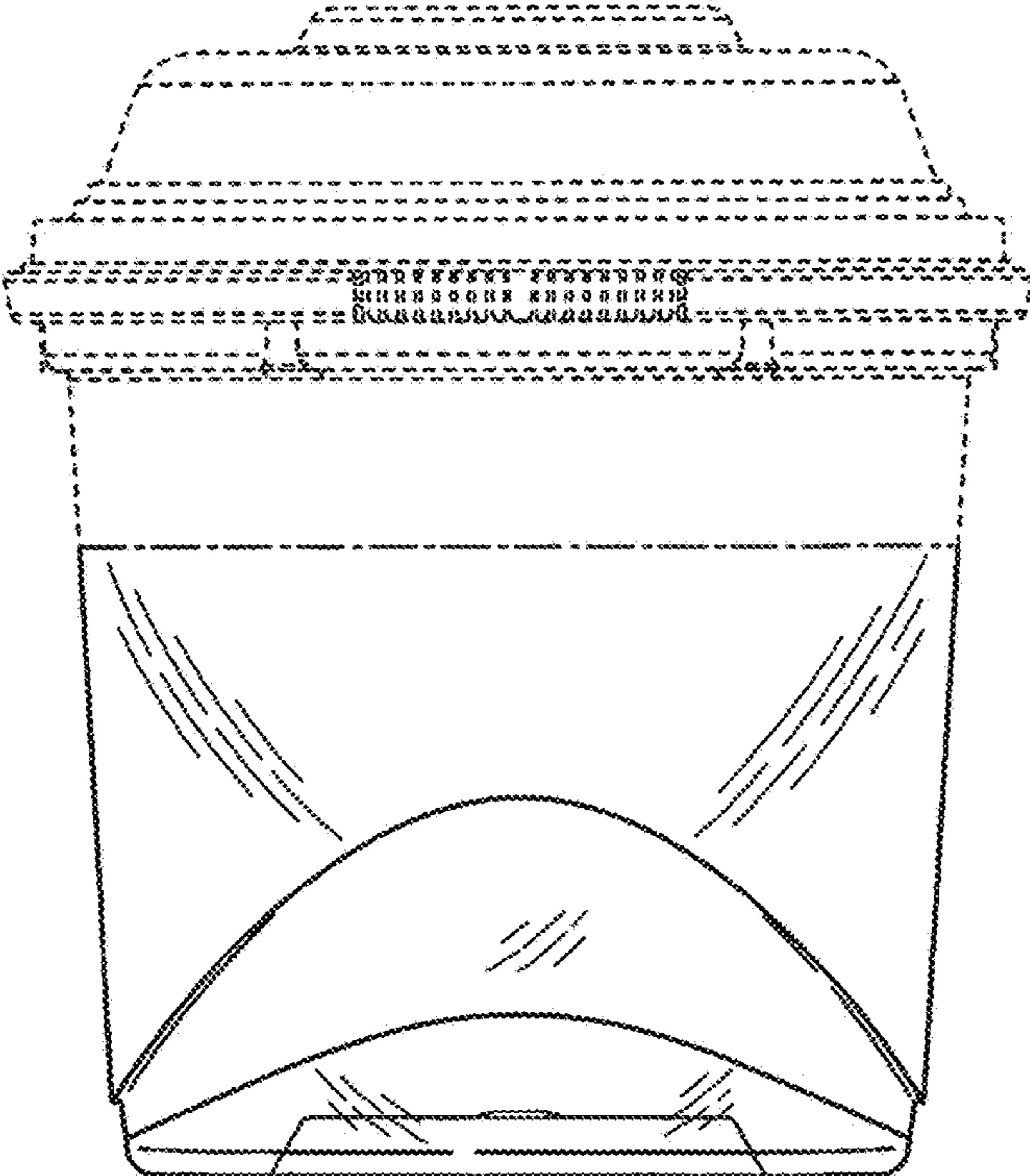
FIG. 1 is a perspective view of a design for an ice cream package showing our new design; FIG. 2 is a right side view thereof; FIG. 3 is a left side view thereof; FIG. 4 is a rear view thereof; FIG. 5 is a front view thereof; FIG. 6 is a top plan view thereof; and, FIG. 7 is a bottom plan view thereof. The dot-dash broken lines immediately adjacent to the claimed areas in the view represent the boundaries of the design and form no part thereof. The broken lines in the figures illustrate the portions of the design that form no part of the claimed design. None of the broken lines form any part of the claimed design.

**1 Claim, 4 Drawing Sheets**

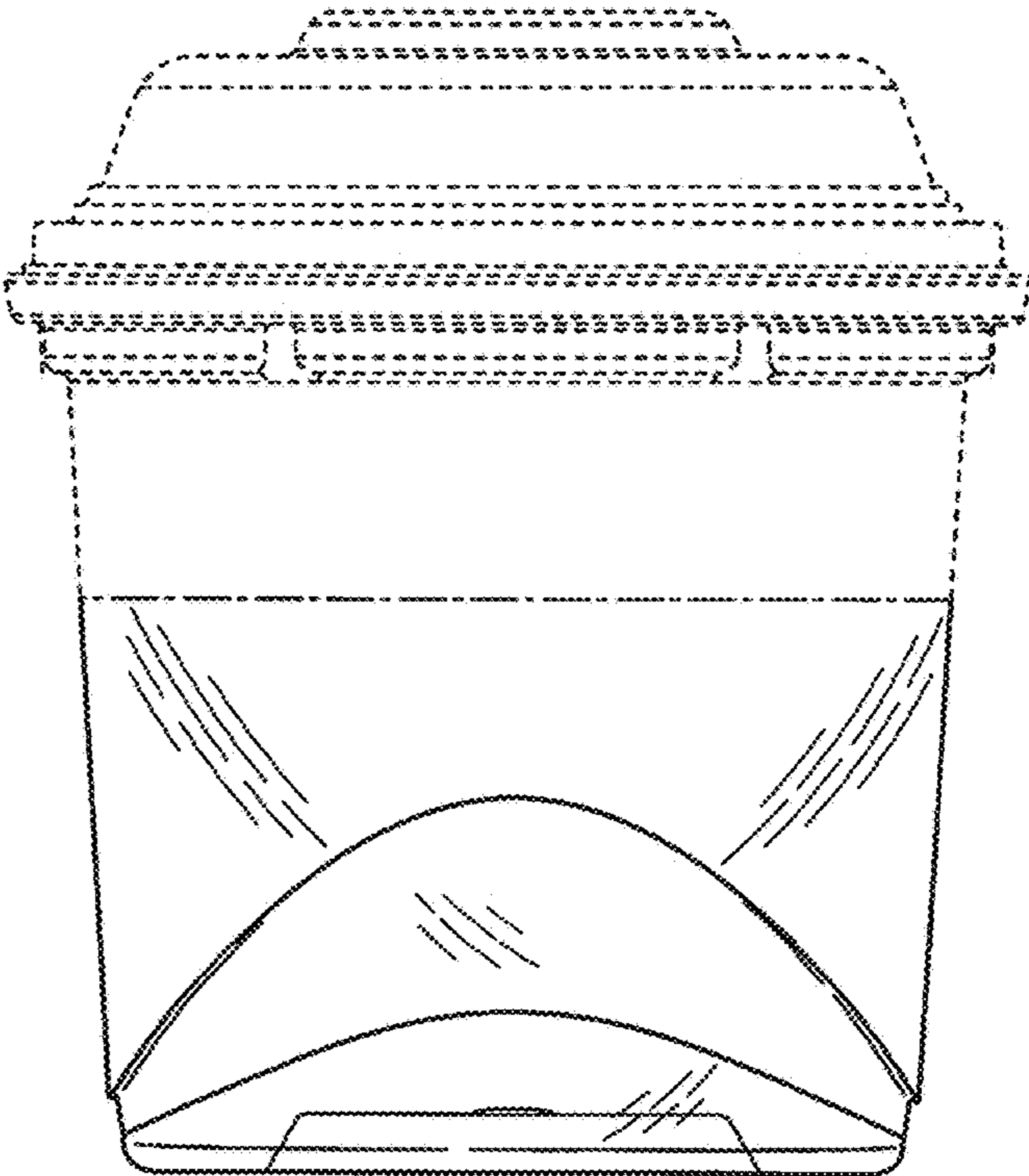




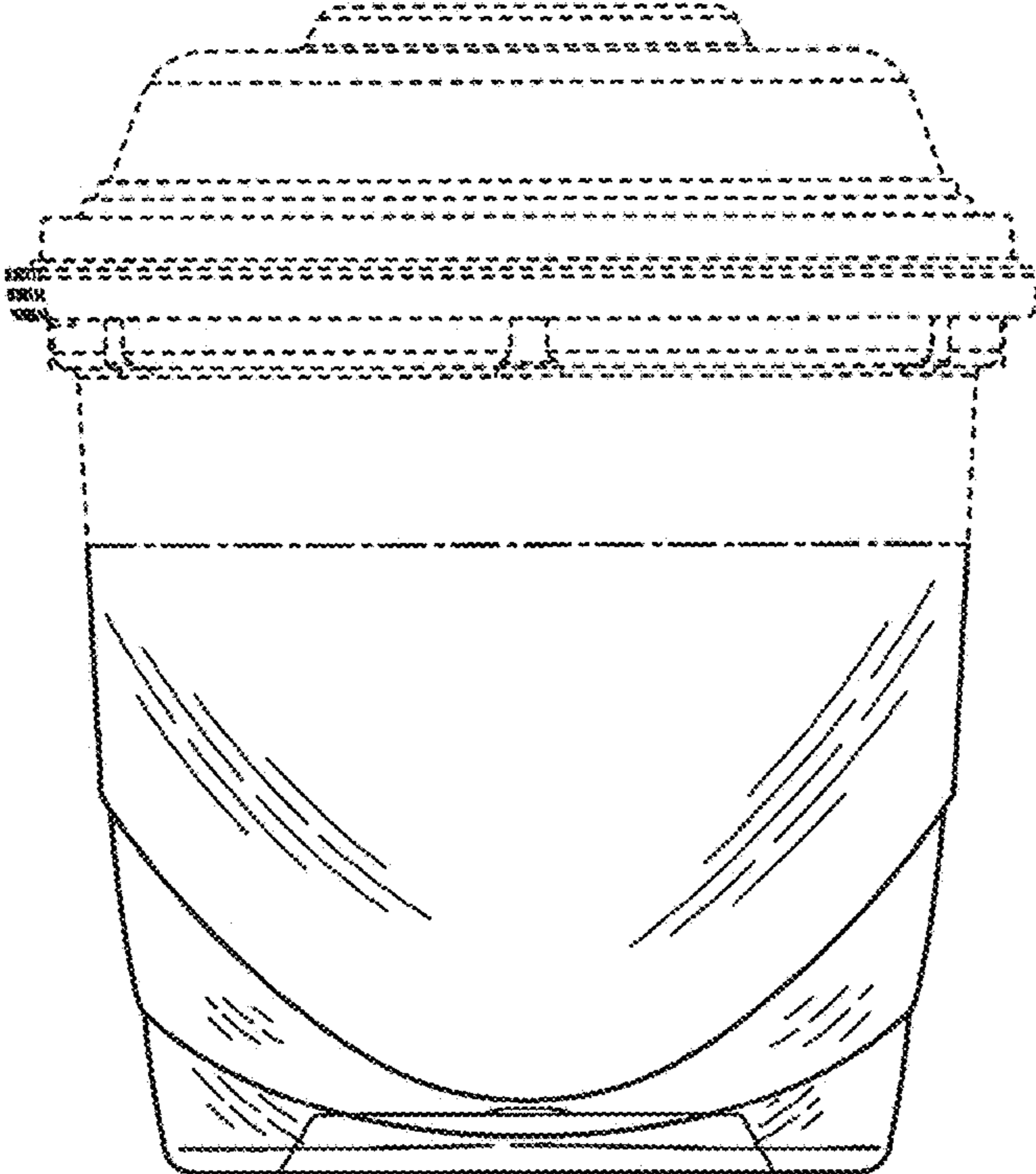
*FIG. 1*



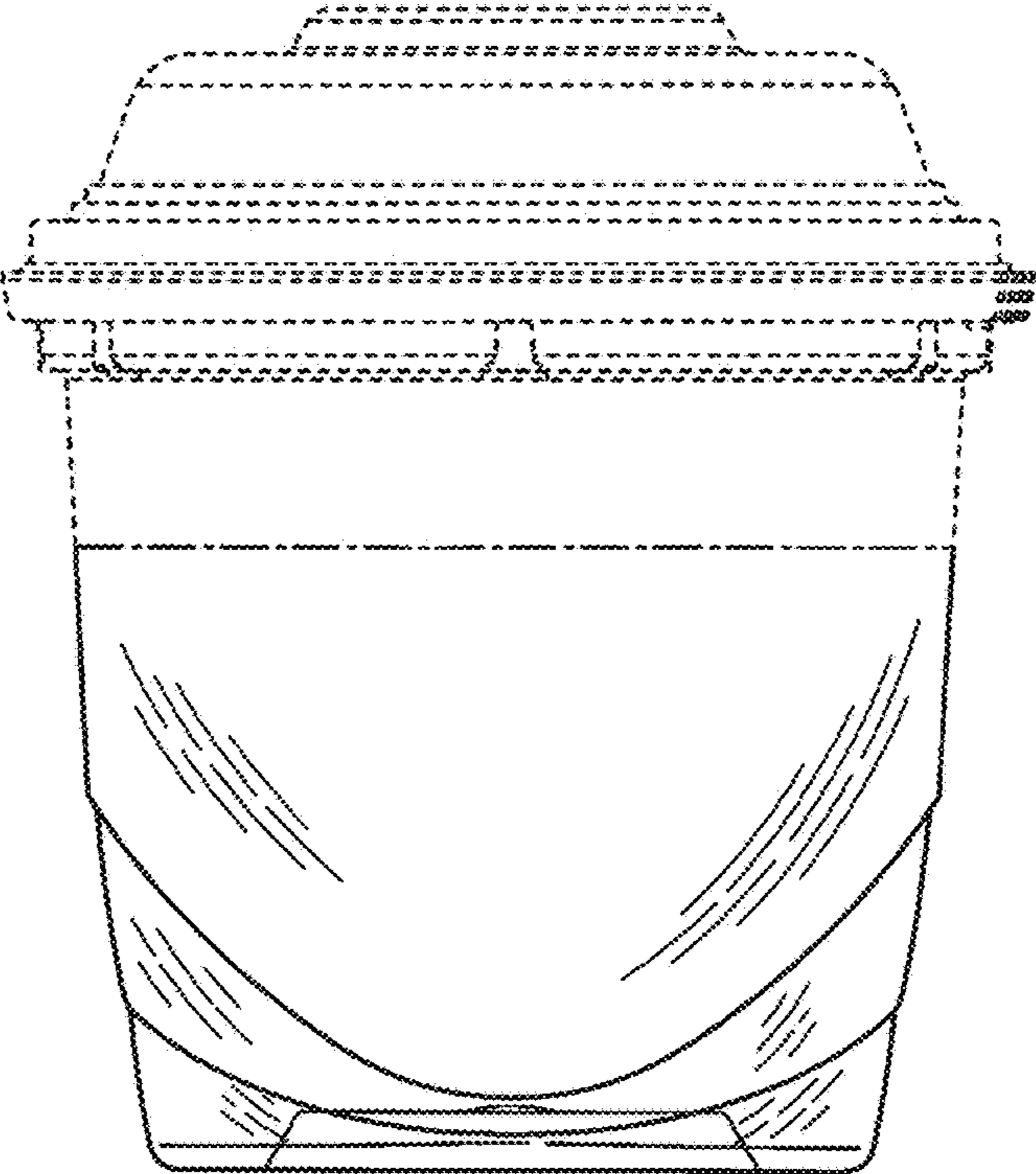
*FIG. 2*



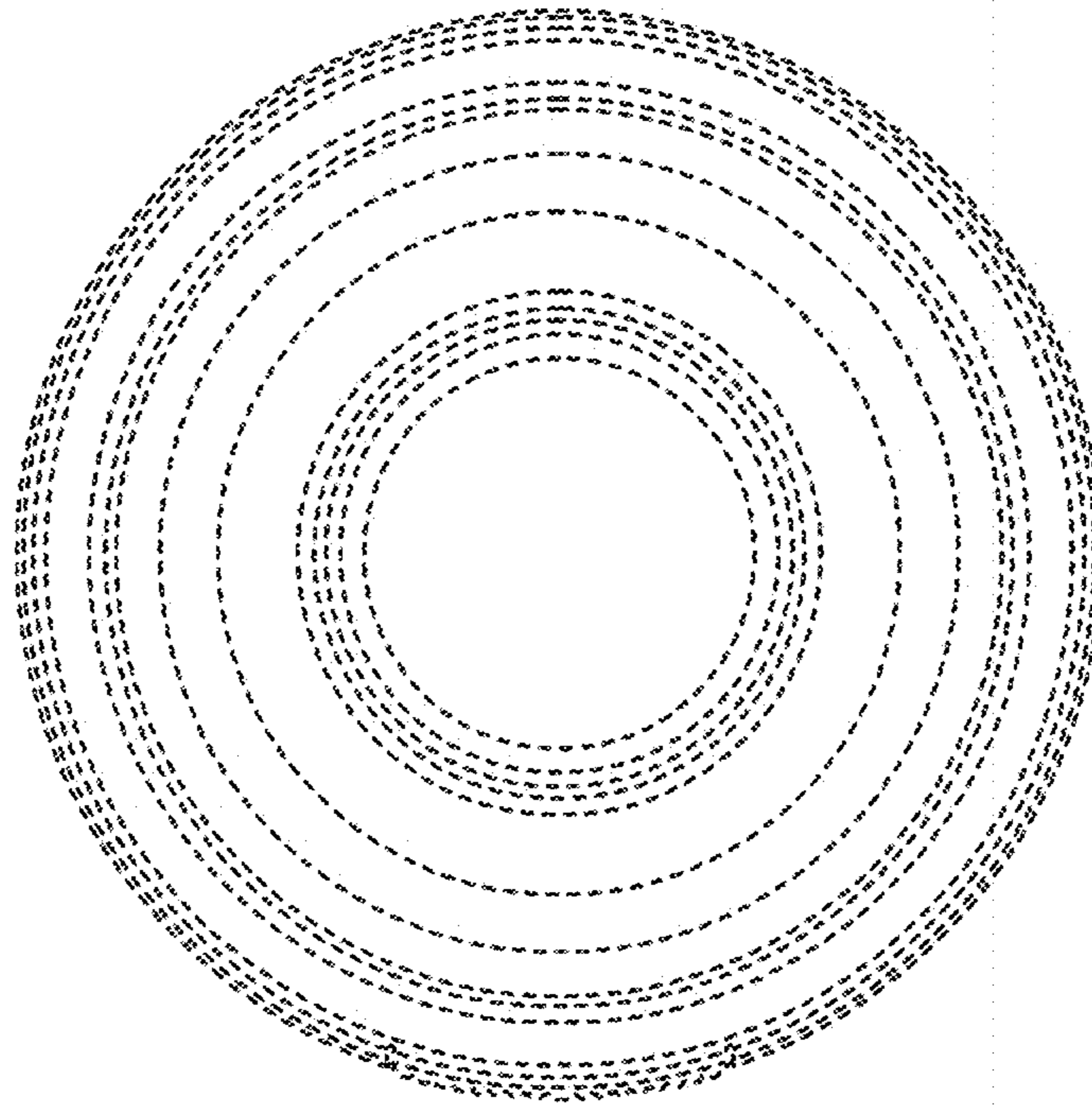
*FIG. 3*



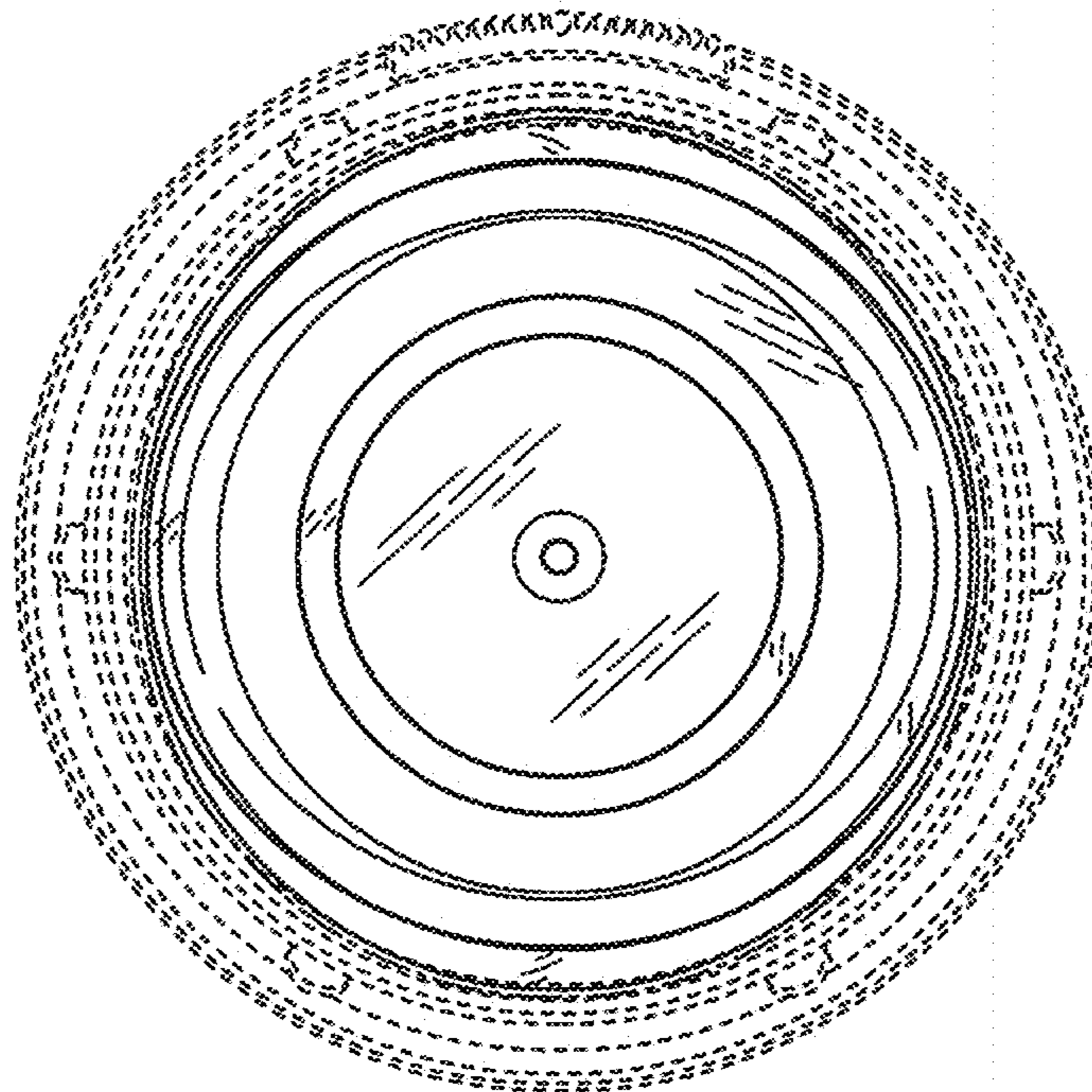
*FIG. 4*



*FIG. 5*



*FIG. 6*



*FIG. 7*