



US00D886597S

(12) **United States Design Patent** (10) **Patent No.:** **US D886,597 S**  
**Larson et al.** (45) **Date of Patent:** **\*\* Jun. 9, 2020**

(54) **PACKAGING**

- (71) Applicant: **ORBIT BIOMEDICAL LIMITED**,  
London (GB)
- (72) Inventors: **Chaley J. Larson**, Horsham, PA (US);  
**Michael Cannamela**, New York, NY  
(US); **William H. Cagney**, Horsham,  
PA (US); **Gordon Kosovan**, Raritan, NJ  
(US); **Elaine Hughes**, Horsham, PA  
(US); **Maria Ficchi**, Malvern, PA (US);  
**Kostadinka Lilova**, Spring House, PA  
(US)
- (73) Assignee: **ORBIT BIOMEDICAL LIMITED**,  
London (GB)
- (\*\*) Term: **15 Years**
- (21) Appl. No.: **29/663,851**
- (22) Filed: **Sep. 19, 2018**

**Related U.S. Application Data**

- (63) Continuation of application No. 29/587,865, filed on  
Dec. 15, 2016, now abandoned.
- (51) **LOC (12) Cl.** ..... **09-03**
- (52) **U.S. Cl.**  
USPC ..... **D9/426**
- (58) **Field of Classification Search**  
USPC ..... D9/418, 522, 528, 530, 531, 534, 543,  
D9/549, 558, 564, 565, 569, 572, 573;  
215/40, 44, 200, 381-384, 396; 220/288,  
220/662, 669, 675, 752, 755, 771;  
222/182, 209; 426/115  
CPC ..... B65D 1/02; B65D 1/0223; B65D 1/0246;  
B65D 5/46; B65D 41/00; B65D 41/02;  
B65D 41/04; B65D 2501/00; B65D  
2501/0009

See application file for complete search history.

(56) **References Cited**

U.S. PATENT DOCUMENTS

D341,781 S	11/1993	Sanyal	
D387,982 S *	12/1997	Kaplan	D9/418
D465,734 S	11/2002	Grivory	
D480,302 S	10/2003	McLeish	
D529,795 S *	10/2006	Kragtwijk	D9/418
D610,447 S *	2/2010	Seum	D9/418
D631,483 S *	1/2011	Nelson	D14/484.1
D671,401 S *	11/2012	Grabes	D9/418
D685,654 S	7/2013	Akana et al.	

(Continued)

*Primary Examiner* — Janice Patyk

(74) *Attorney, Agent, or Firm* — Frost Brown Todd LLC

(57) **CLAIM**

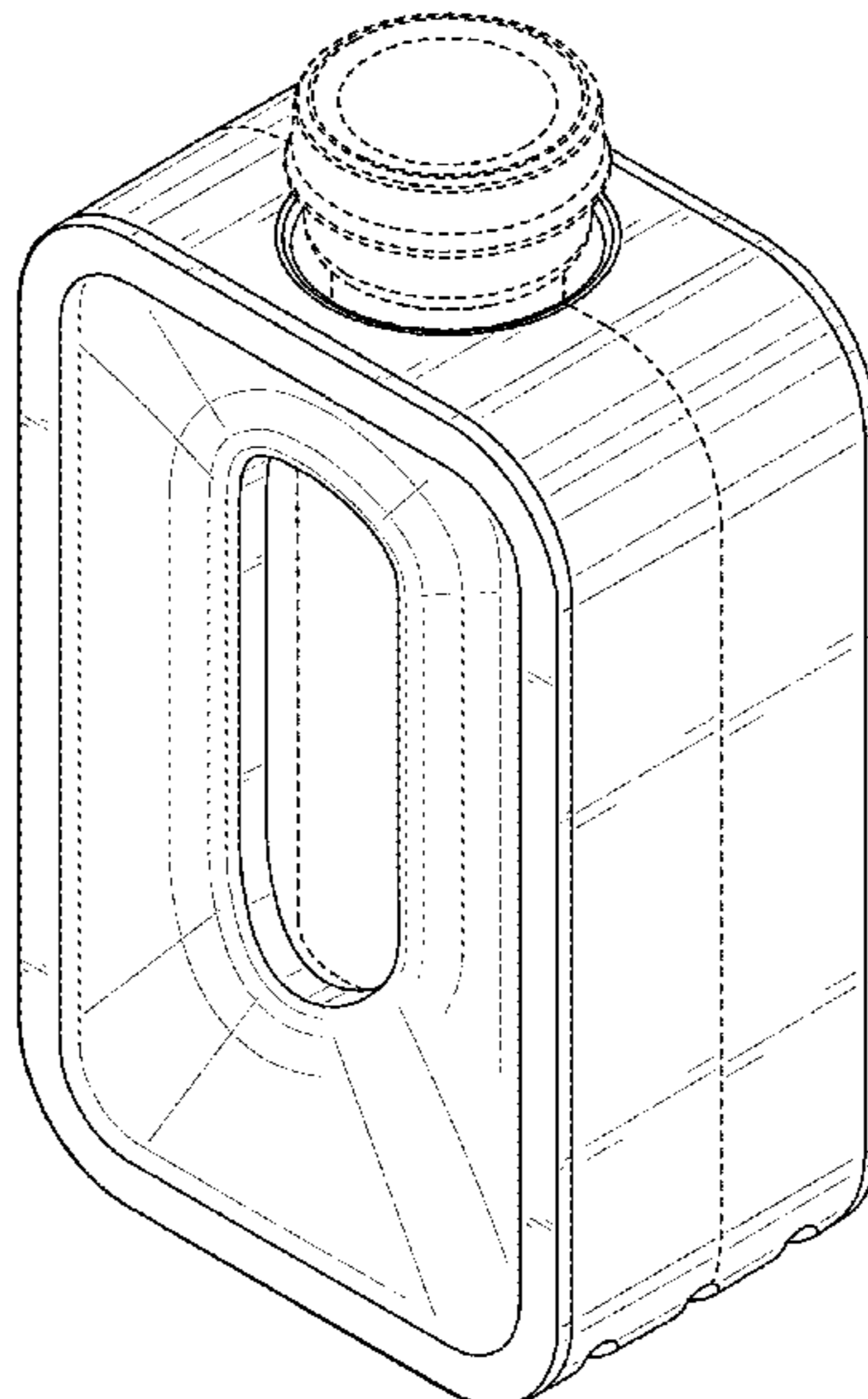
The ornamental design for a packaging, as shown and described.

**DESCRIPTION**

FIG. 1 is a top, right side perspective view of a packaging, shown in environmental use, showing our new design; FIG. 2 is an exploded top, right side perspective view thereof, shown in environmental use, in reduced scale; FIG. 3 is a front view thereof; FIG. 4 is a rear view thereof; FIG. 5 is a top plan view thereof; FIG. 6 is a bottom plan view thereof; FIG. 7 is a left side view thereof; and, FIG. 8 is a right side view thereof.

The broken lines in the figures illustrate the portions of the design that form no part of the claimed design. The broken line bottle in FIGS. 1 and 2 are included to illustrate environmental subject matter that form no part of the claimed design. The broken lines going around the center of the packaging in FIGS. 1, 2, and 5-8 are included to illustrate an unclaimed seam on the packaging and form no part of the claimed design.

**1 Claim, 6 Drawing Sheets**



(56)

**References Cited**

U.S. PATENT DOCUMENTS

D691,035 S	*	10/2013	Sill .....	D9/418
D703,038 S		4/2014	McAdam	
D709,758 S	*	7/2014	Burdock-Latter .....	D9/418
D717,645 S		11/2014	Wilmsers	
D731,302 S	*	6/2015	Lutgen .....	D9/418

\* cited by examiner

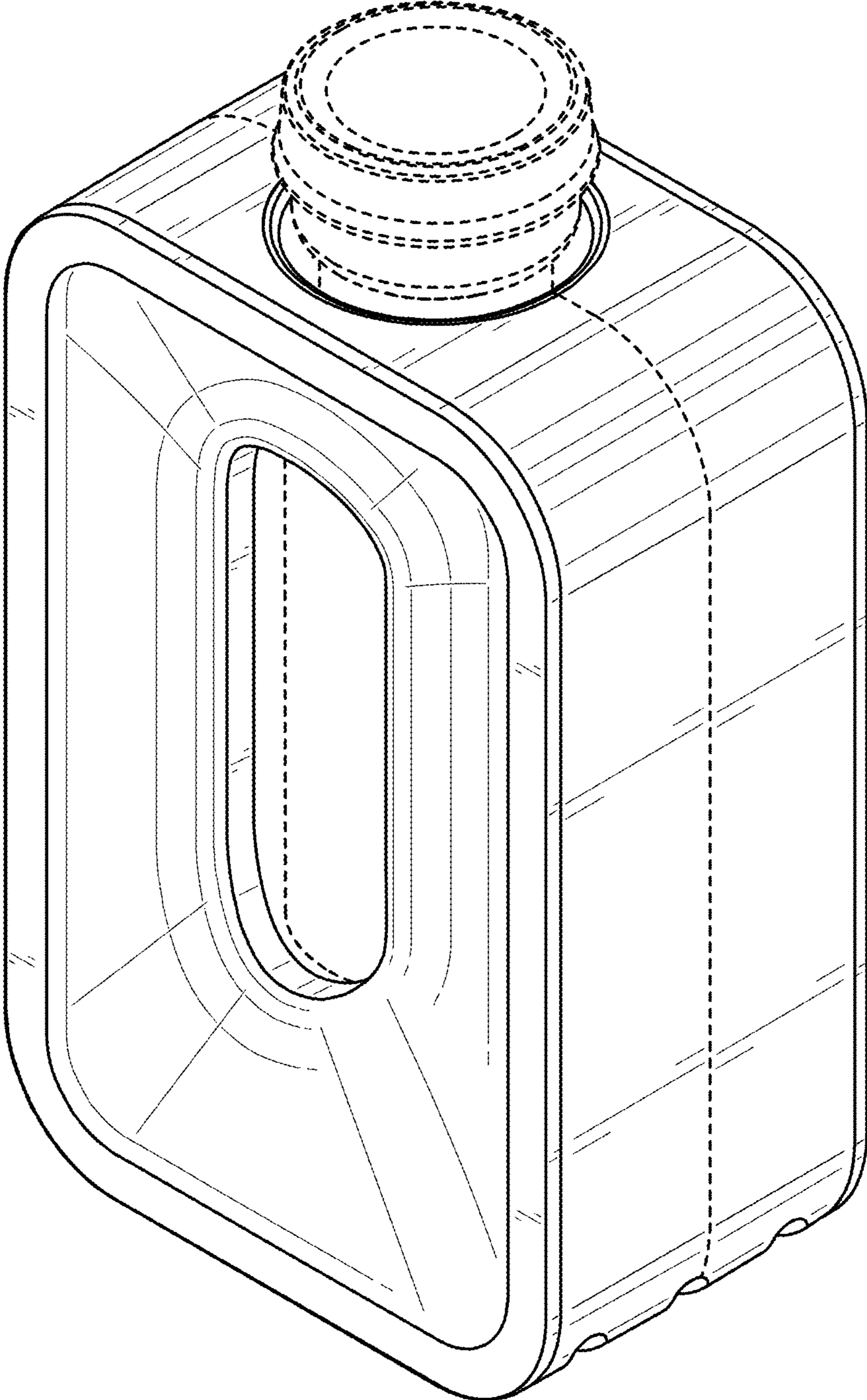


FIG. 1

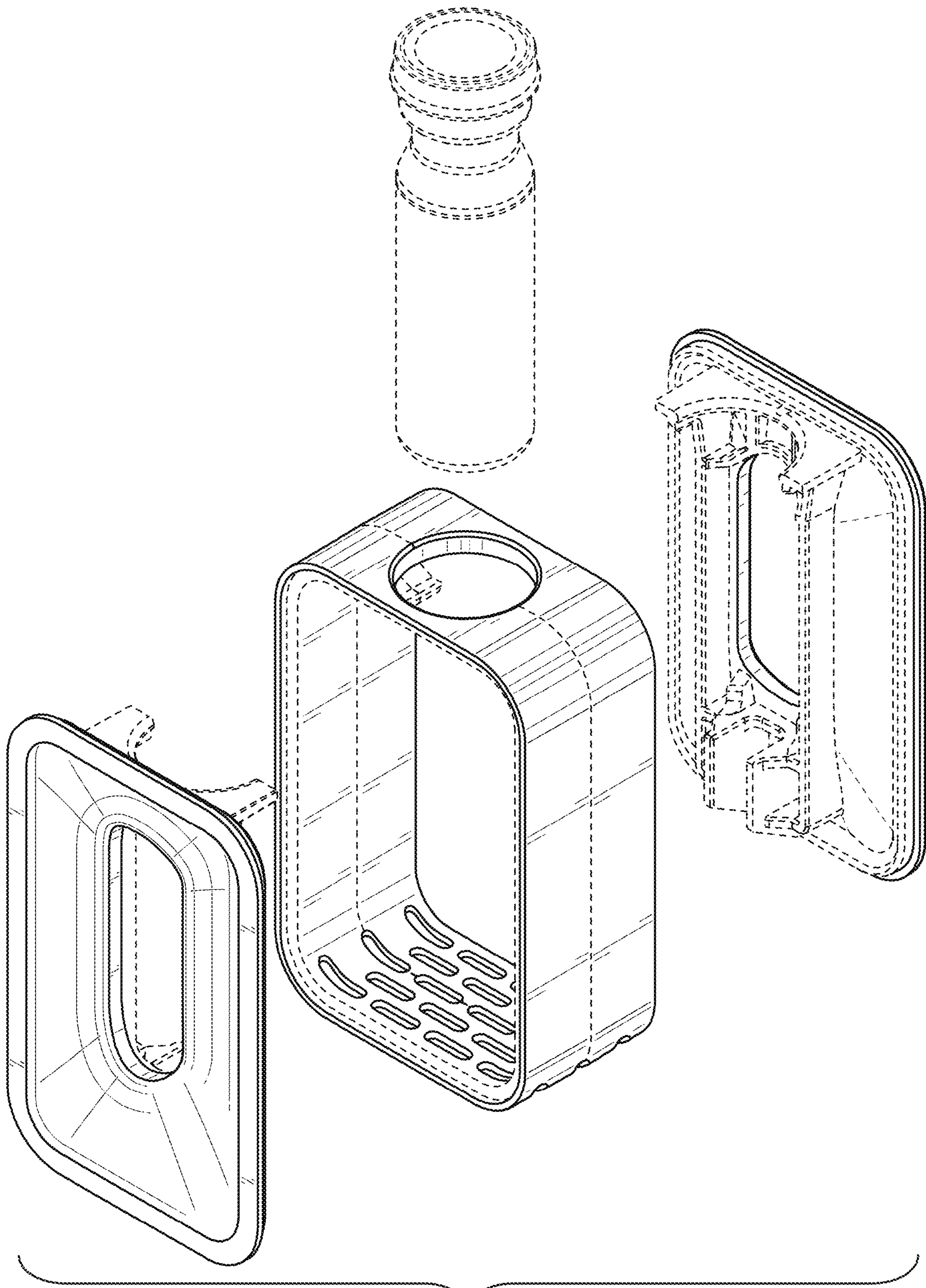


FIG. 2

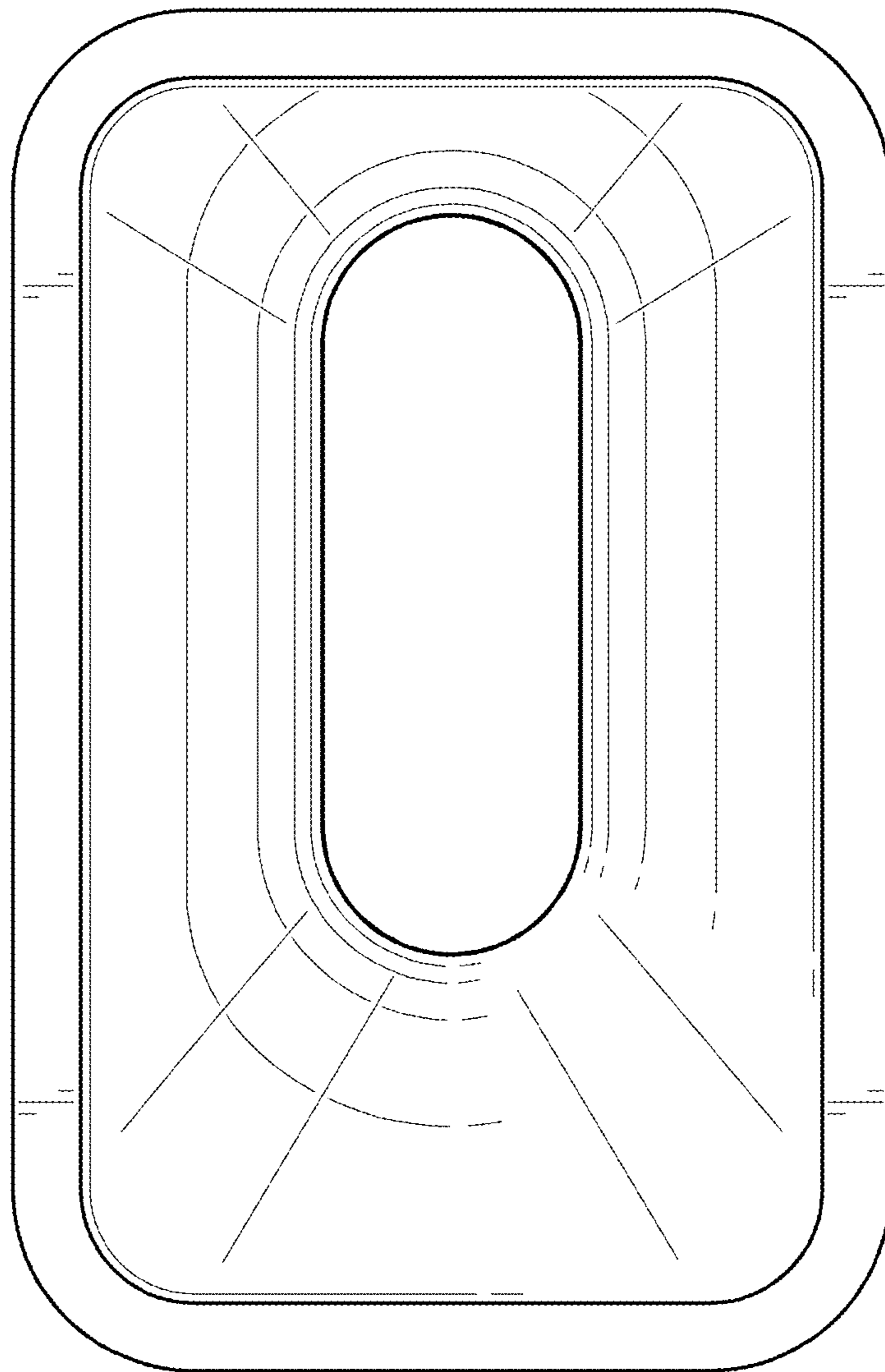


FIG. 3

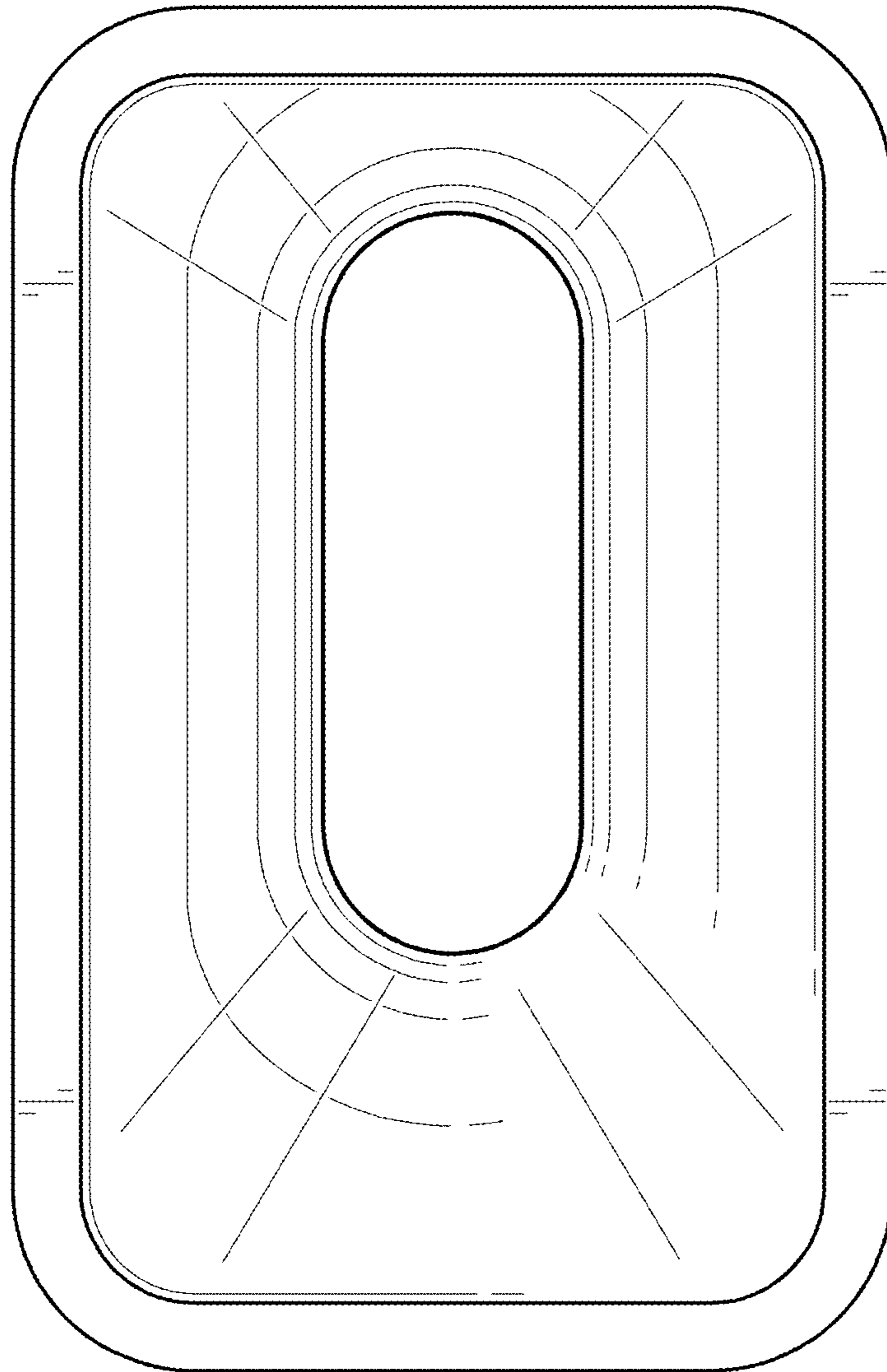


FIG. 4

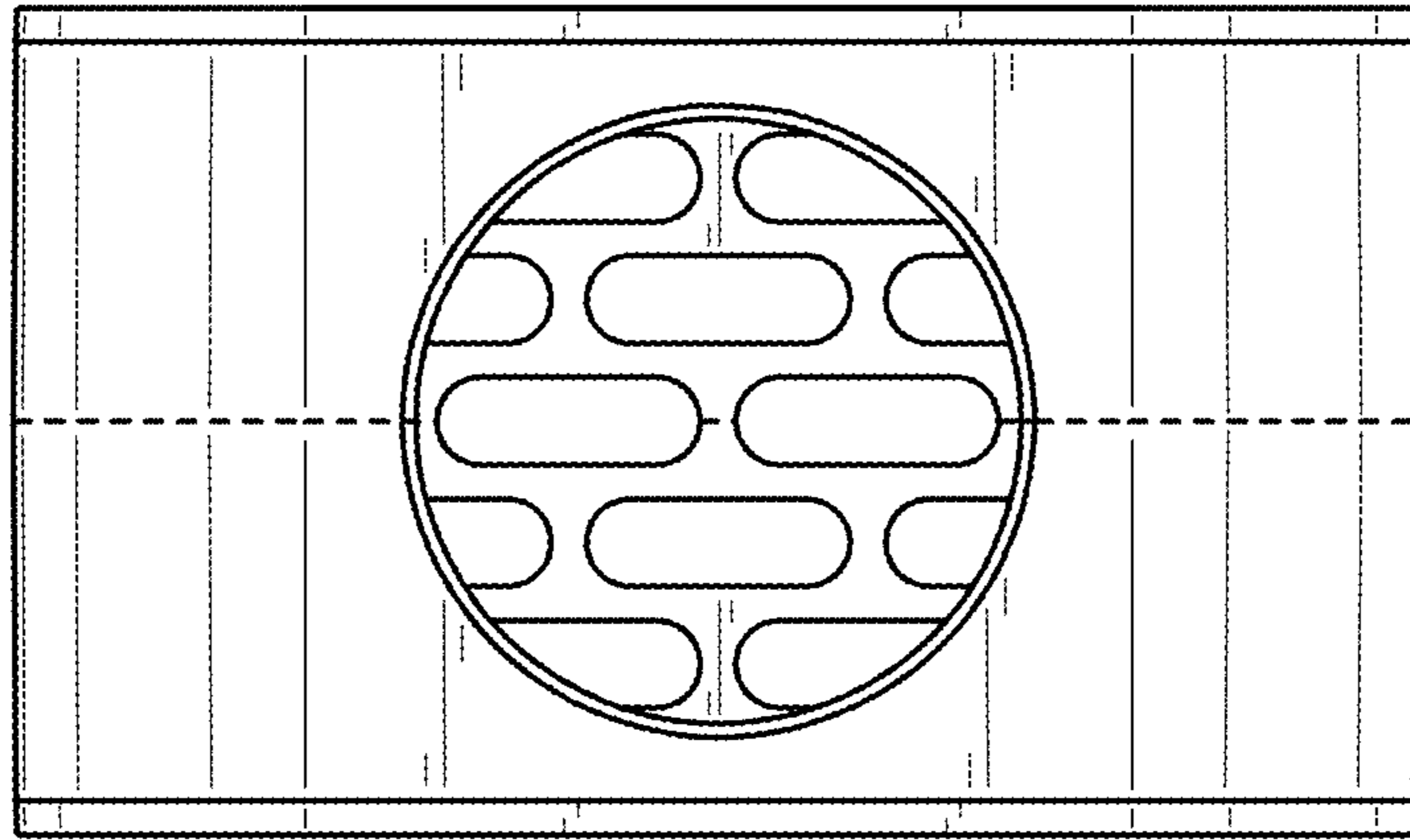


FIG. 5

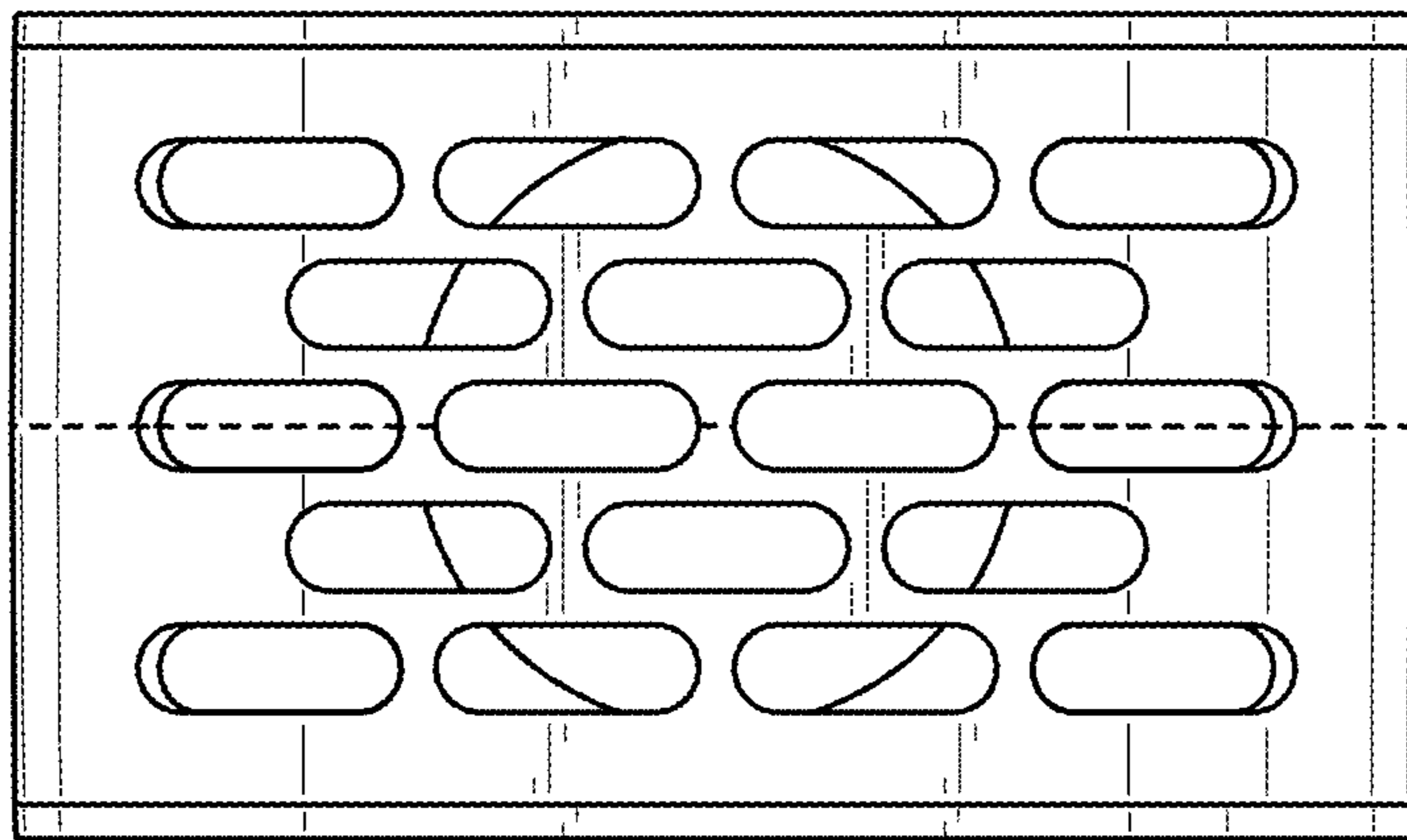


FIG. 6

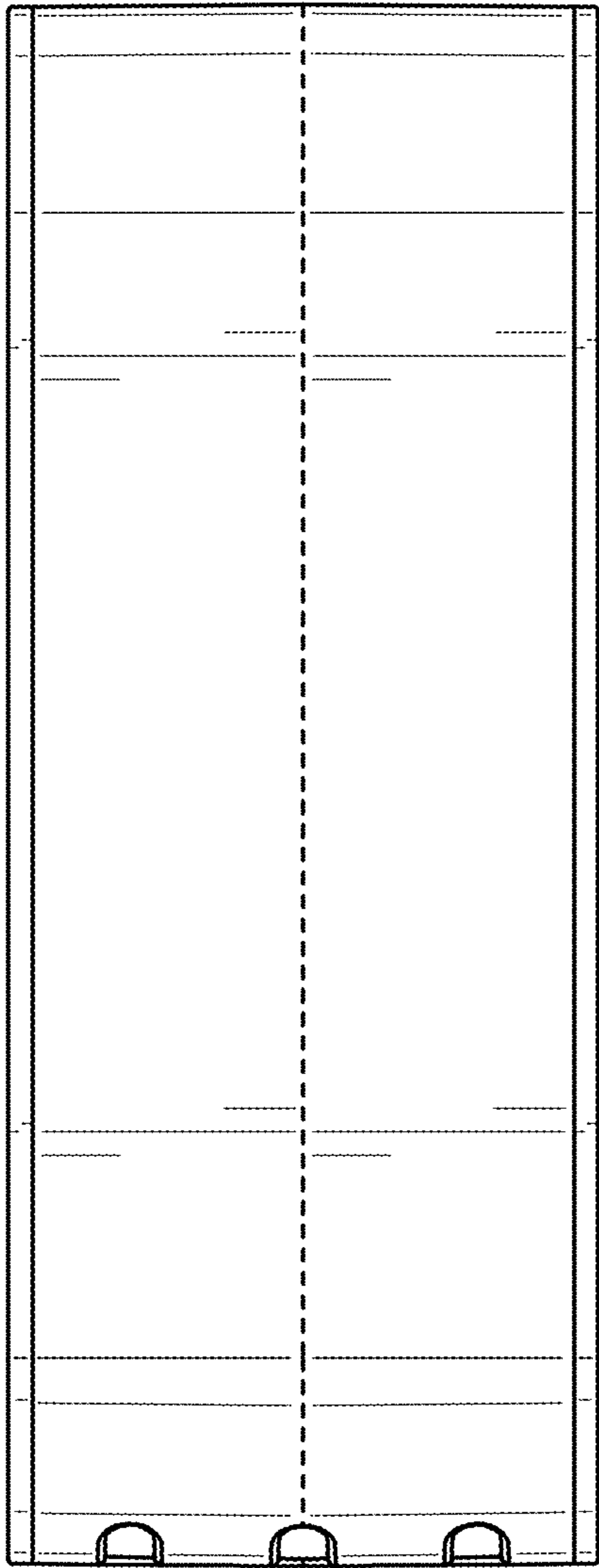


FIG. 7

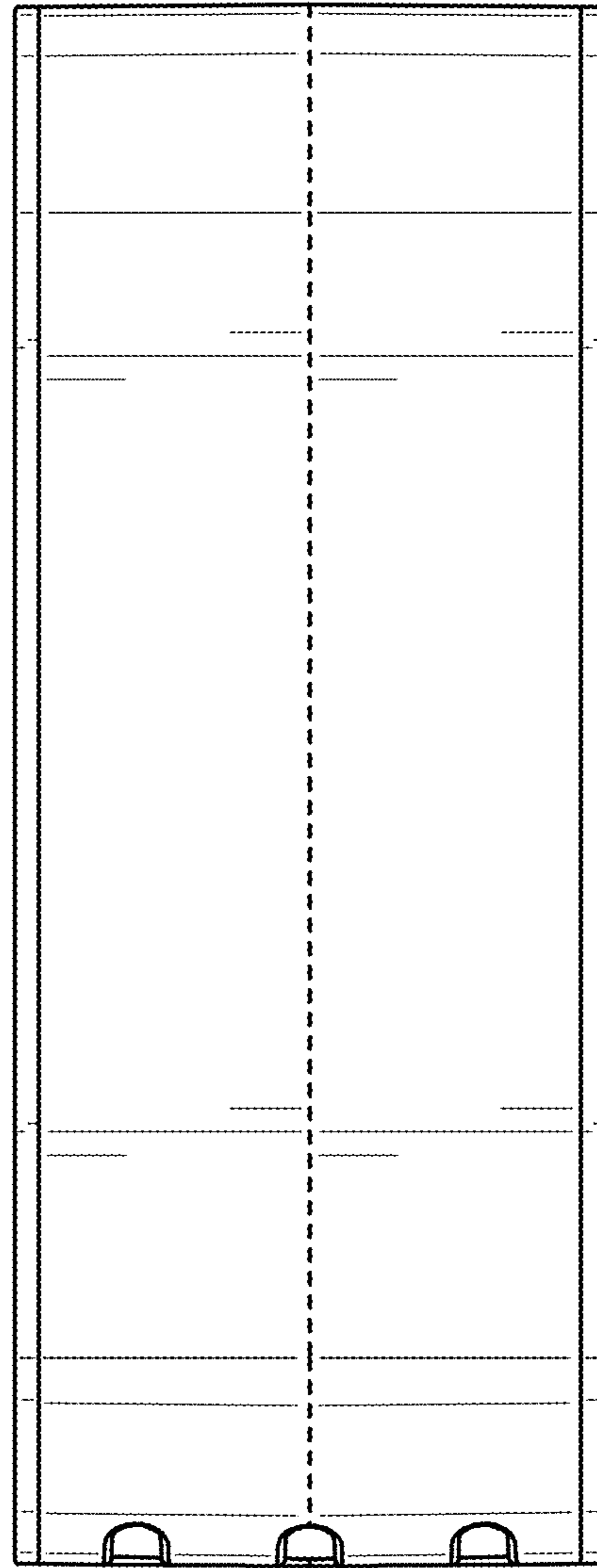


FIG. 8