



US00D886596S

(12) **United States Design Patent**  
**Simms, II**

(10) **Patent No.:** **US D886,596 S**

(45) **Date of Patent:** **\*\* Jun. 9, 2020**

(54) **CONTAINER**

(71) Applicant: **Waddington North America, Inc.**,  
Chelmsford, MA (US)

(72) Inventor: **Russell L Simms, II**, Cleveland, TN  
(US)

(73) Assignee: **Waddington North America, Inc.**,  
Chelmsford, MA (US)

(\*\*) Term: **15 Years**

(21) Appl. No.: **29/644,531**

(22) Filed: **Apr. 18, 2018**

(51) **LOC (12) Cl.** ..... **09-03**

(52) **U.S. Cl.**  
USPC ..... **D9/426**

(58) **Field of Classification Search**

USPC ..... D7/400, 601, 608; D9/416, 417, 420,  
D9/425-429, 430, 432, 761; 206/499,  
206/501, 502, 821; 220/625, 656, 669,  
220/670, 674; 229/123.1, 123.2, 125.33,  
229/125.35, 400-407, 915, 939  
CPC . B65D 1/26; B65D 1/40; B65D 5/243; B65D  
81/3453; B65D 2581/34; B65D  
2581/3404; B65D 2581/3456

See application file for complete search history.

(56) **References Cited**

**U.S. PATENT DOCUMENTS**

D343,338 S \* 1/1994 Bucher ..... D7/543  
D499,936 S \* 12/2004 Wiedmeyer ..... D7/543

(Continued)

*Primary Examiner* — Janice Patyk

(74) *Attorney, Agent, or Firm* — Maine Cernota & Rardin

(57) **CLAIM**

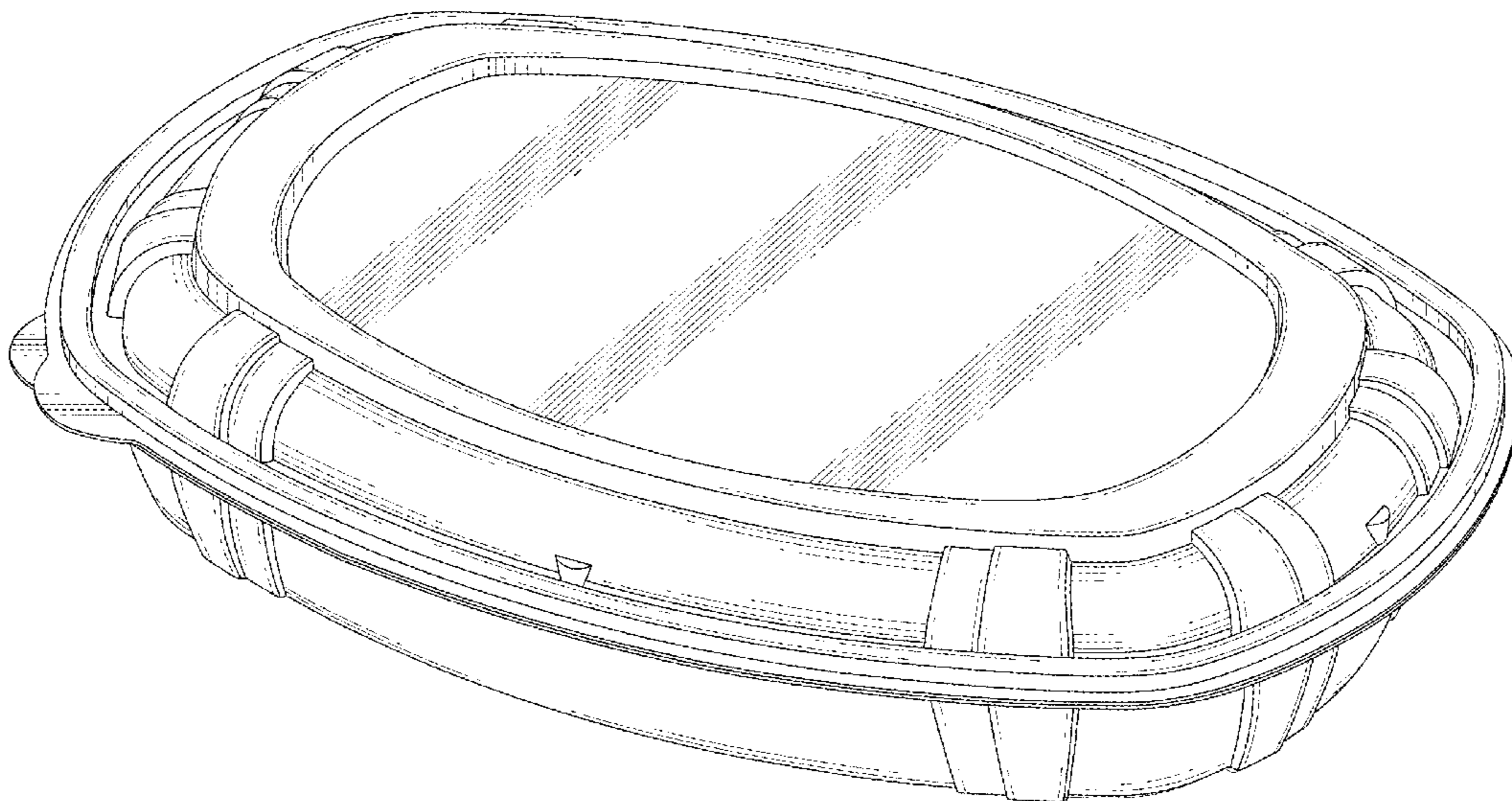
The ornamental design for a container, as shown and described.

**DESCRIPTION**

FIG. 1 is a front perspective view of a container of the present disclosure;  
FIG. 2 is a front view thereof;  
FIG. 3 is a back view thereof;  
FIG. 4 is a right side view thereof;  
FIG. 5 is a left side view thereof;  
FIG. 6 is a top view thereof;  
FIG. 7 is a bottom view thereof;  
FIG. 8 is a front perspective view thereof, shown without the lid for ease of illustration;  
FIG. 9 is a front view thereof, shown without the lid for ease of illustration;  
FIG. 10 is a back view thereof, shown without the lid for ease of illustration;  
FIG. 11 is a right side view thereof, shown without the lid for ease of illustration;  
FIG. 12 is a left side view thereof, shown without the lid for ease of illustration;  
FIG. 13 is a top view thereof, shown without the lid for ease of illustration;  
FIG. 14 is a bottom view thereof, shown without the lid for ease of illustration;  
FIG. 15 is a front perspective view thereof, shown without the base for ease of illustration;  
FIG. 16 is a front view thereof, shown without the base for ease of illustration;  
FIG. 17 is a back view thereof, shown without the base for ease of illustration;  
FIG. 18 is a right side view thereof, shown without the base for ease of illustration;  
FIG. 19 is a left side view thereof, shown without the base for ease of illustration;  
FIG. 20 is a top view thereof, shown without the base for ease of illustration; and,  
FIG. 21 is a bottom view thereof, shown without the base for ease of illustration.

The broken lines in the figures illustrate the portions of the design that form no part of the claimed design.

**1 Claim, 14 Drawing Sheets**



(56)

**References Cited**

U.S. PATENT DOCUMENTS

D631,299 S *	1/2011	Samartgis .....	D7/602
D649,872 S *	12/2011	Bouveret .....	D9/425
D689,363 S *	9/2013	Sundy .....	D9/429
D700,483 S *	3/2014	Yessin .....	D7/629
D724,903 S *	3/2015	Chen .....	D7/629
D738,208 S *	9/2015	Diehl .....	D9/435

\* cited by examiner

FIG. 1

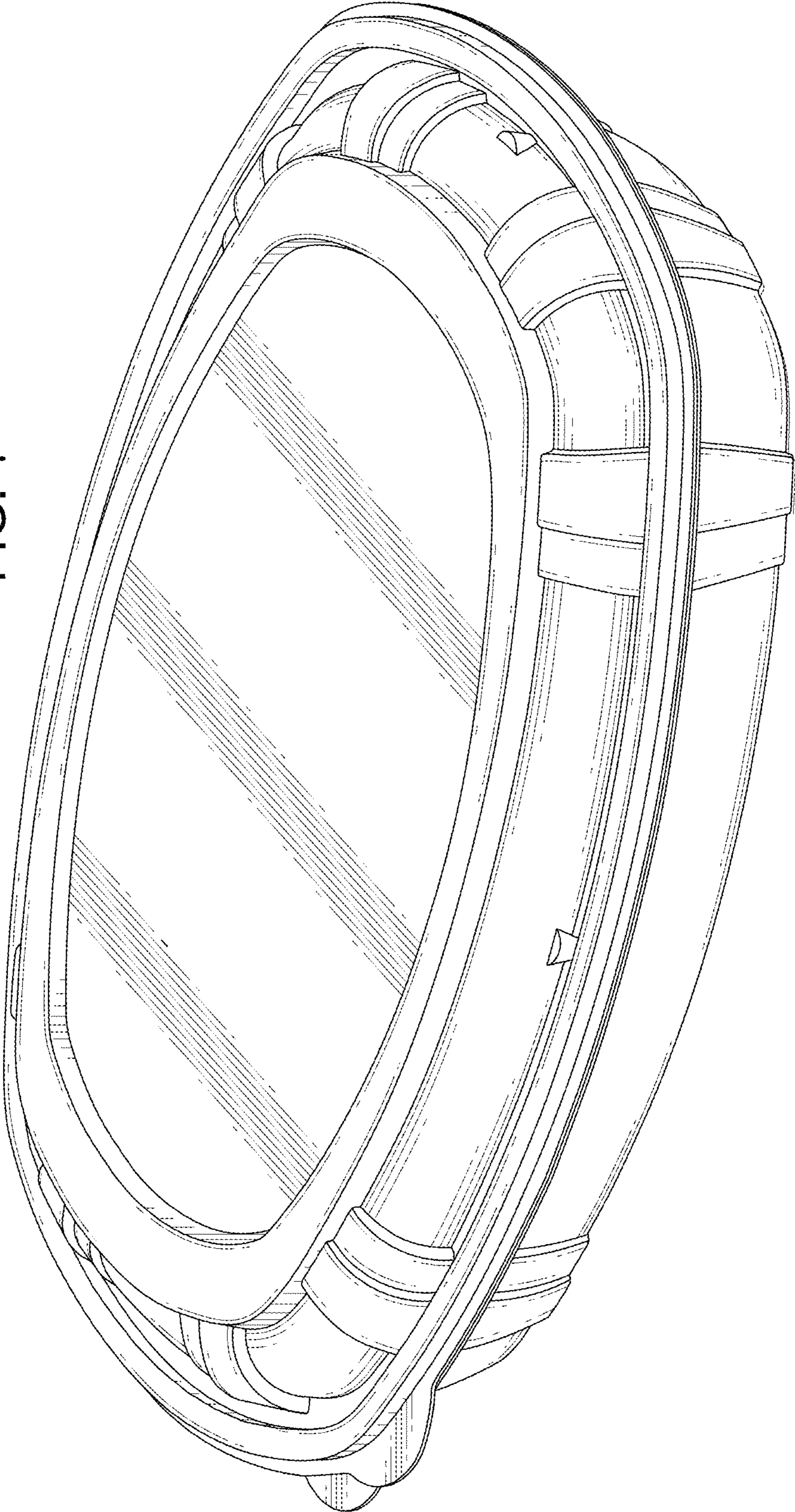


FIG. 2

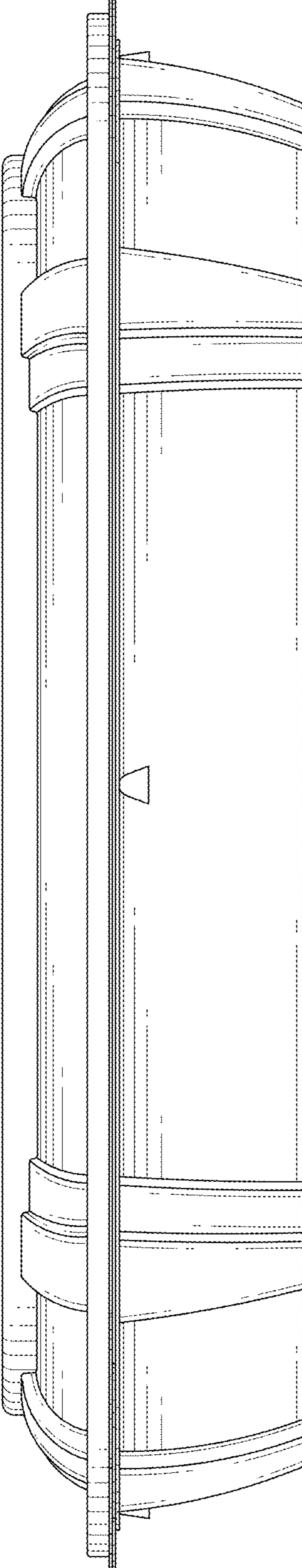


FIG. 3

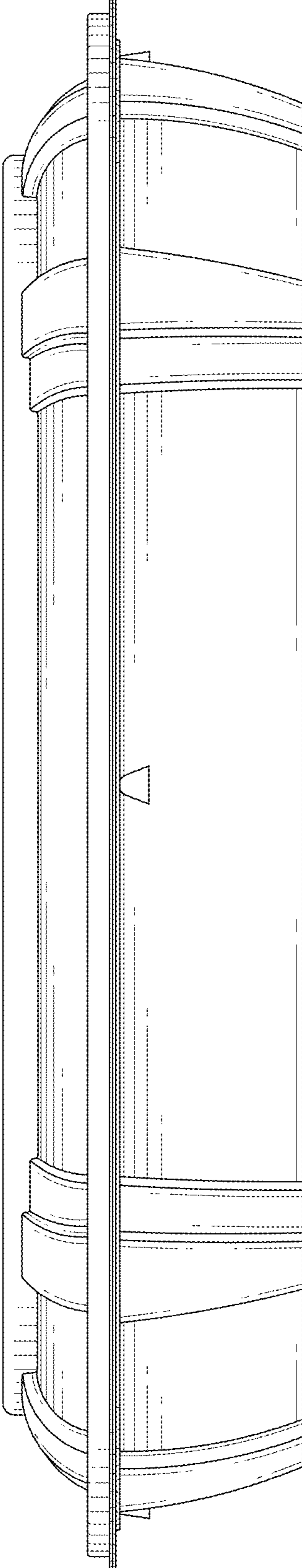


FIG. 4

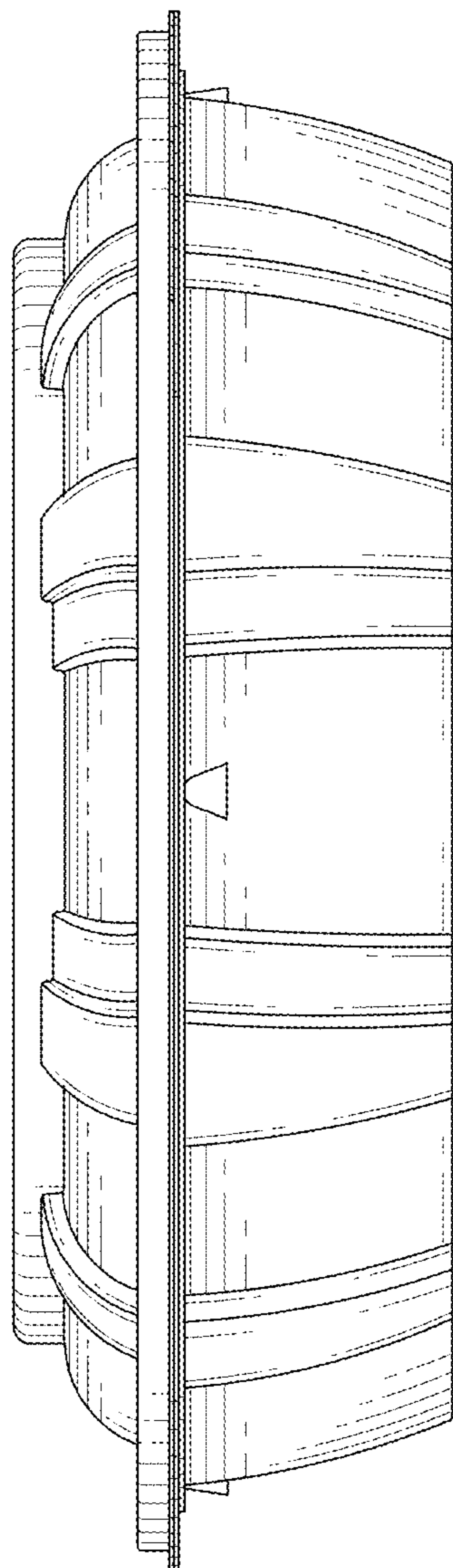
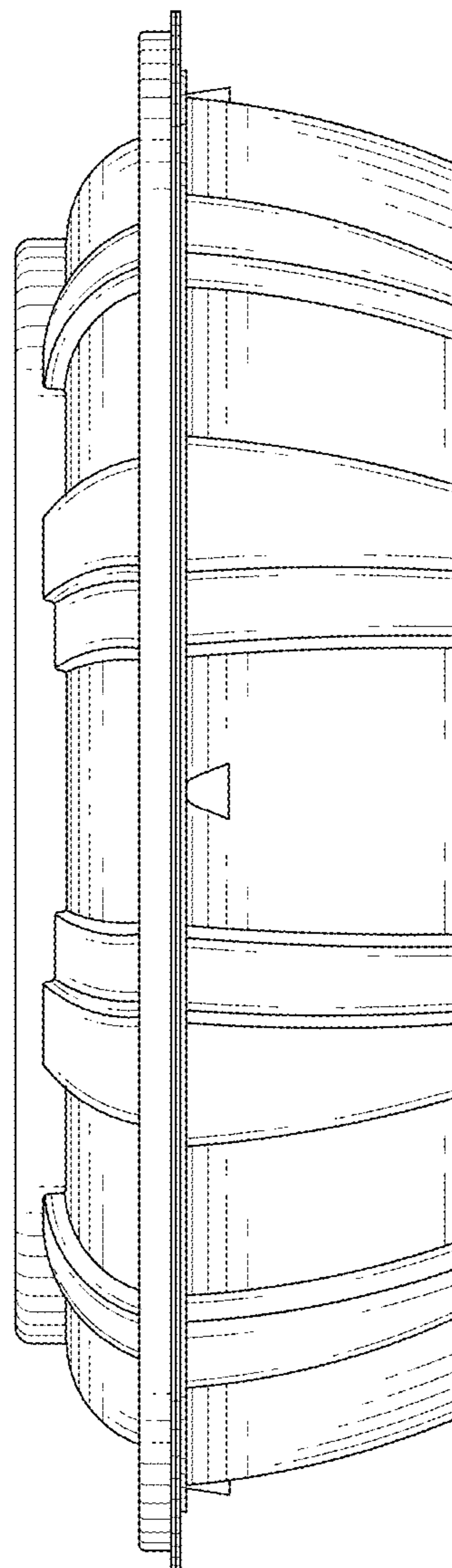


FIG. 5



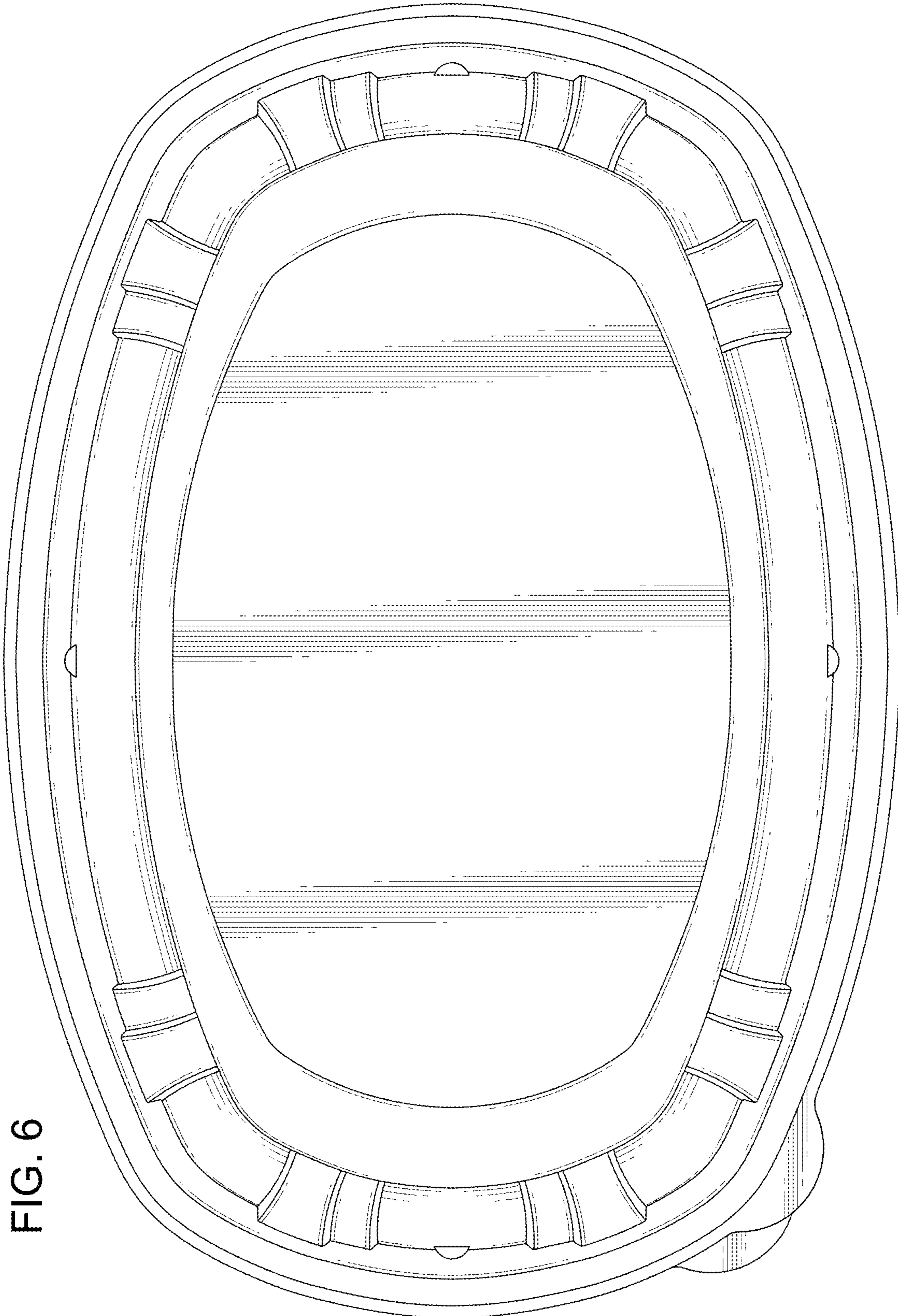


FIG. 6

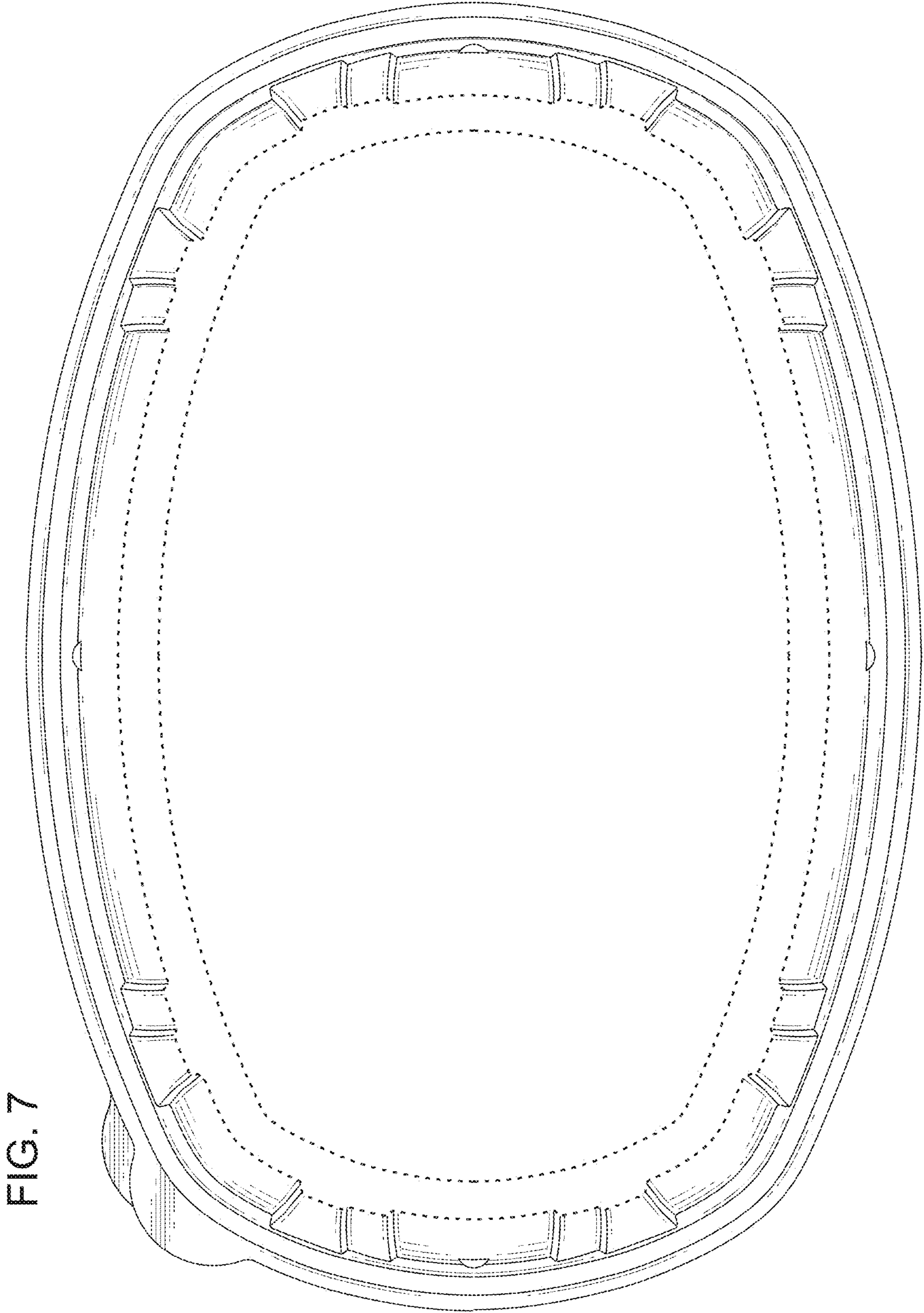


FIG. 7

FIG. 8

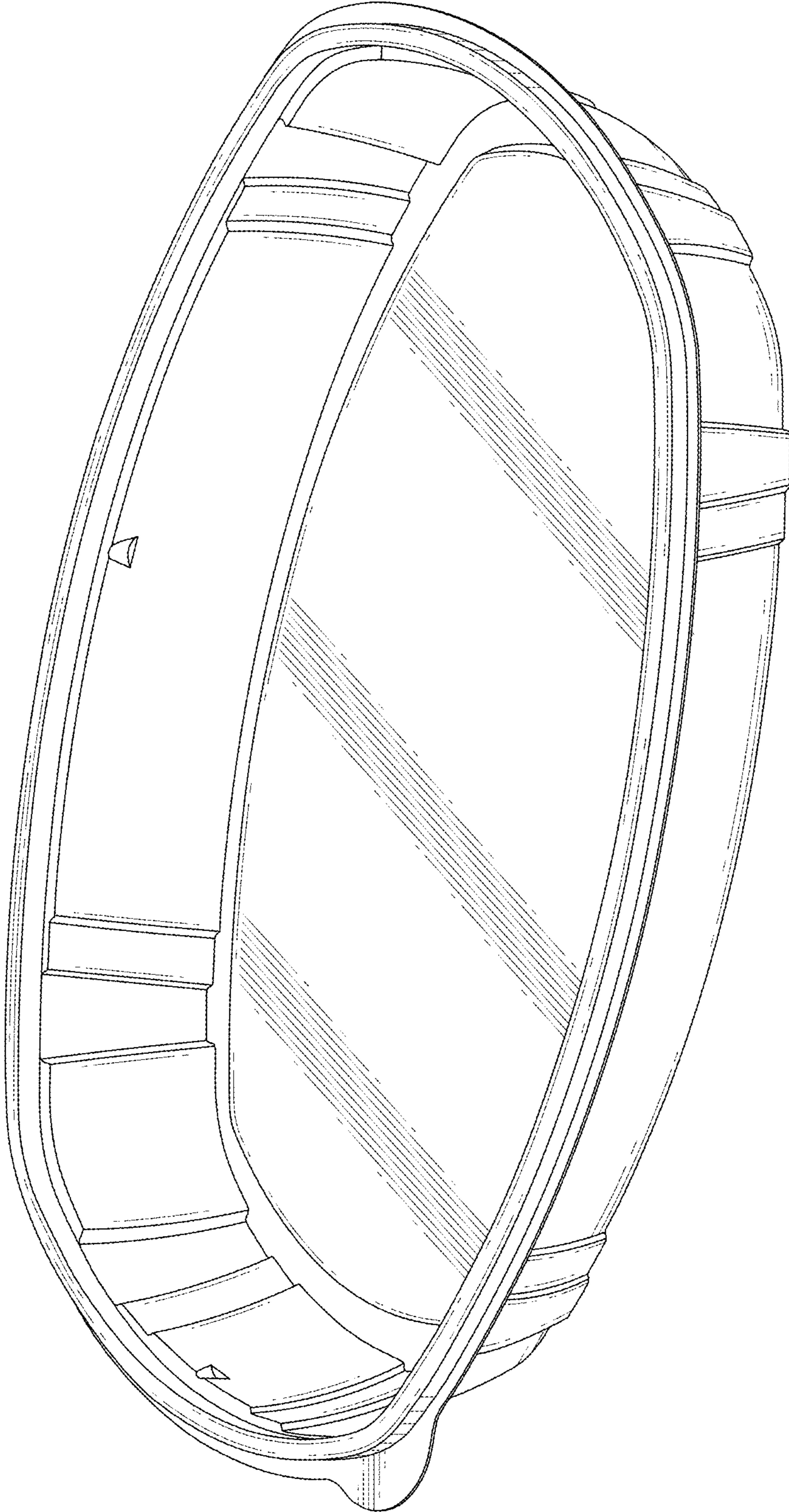




FIG. 9

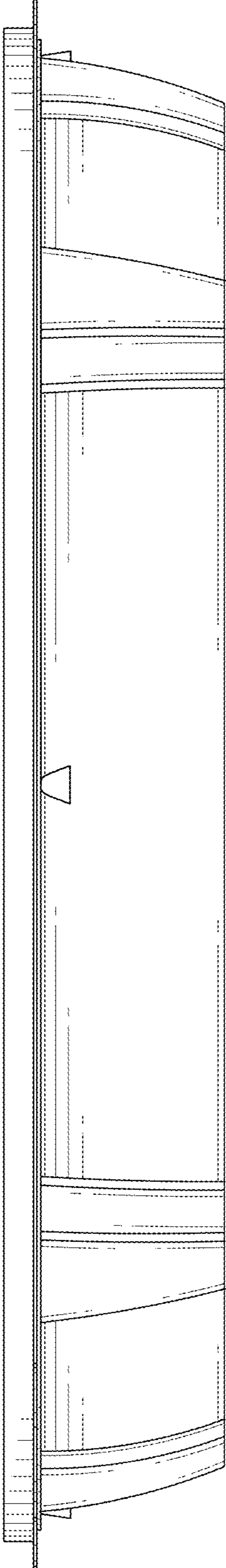


FIG. 10

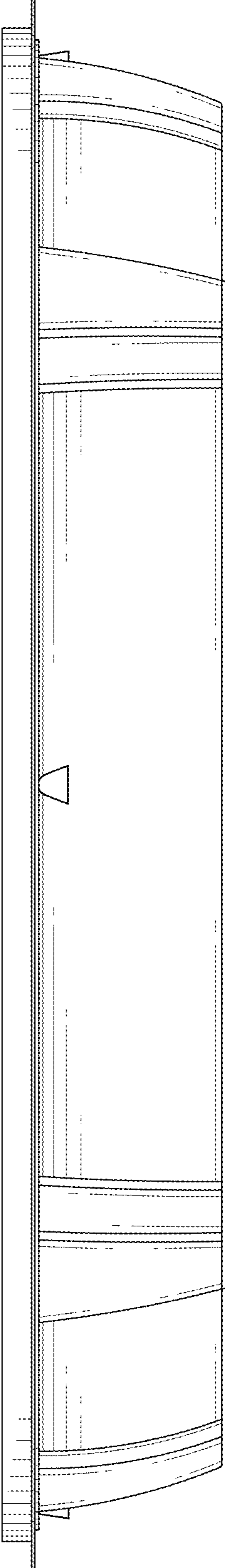


FIG. 11

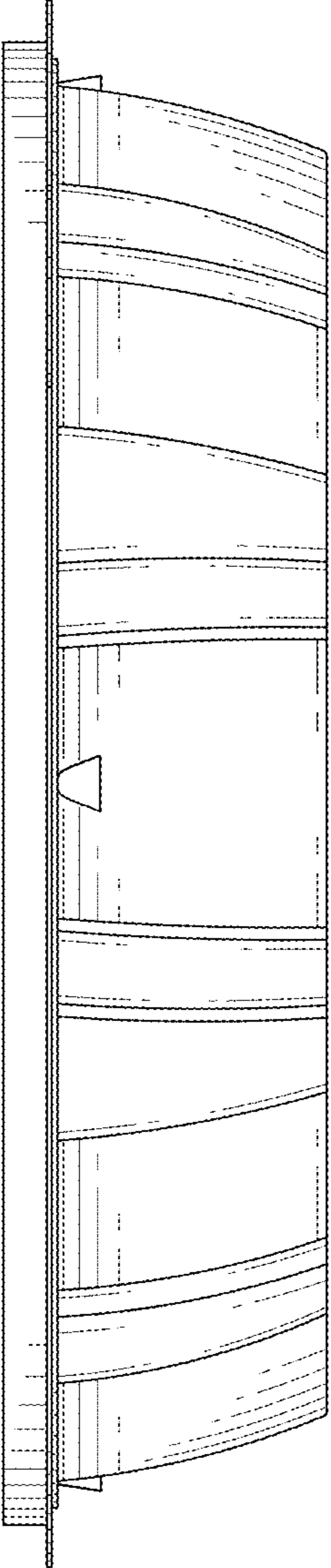


FIG. 12

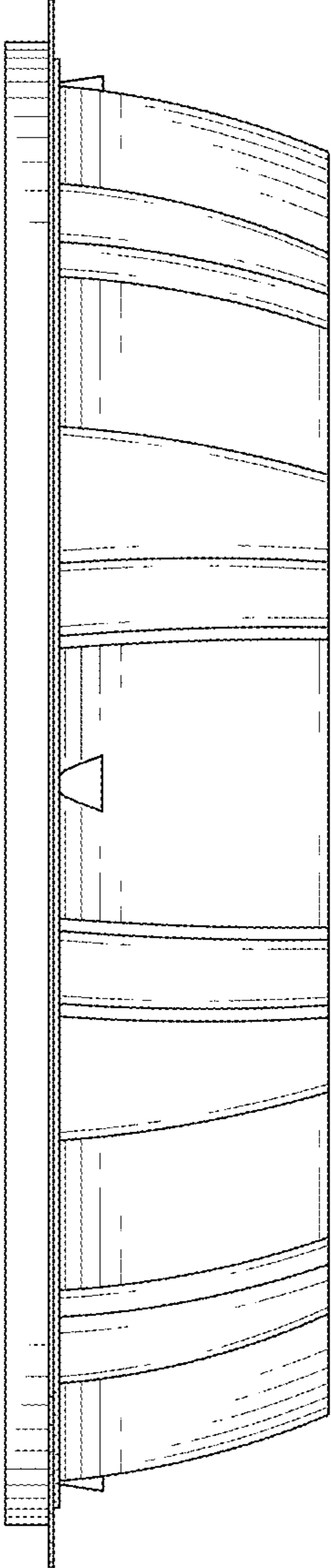
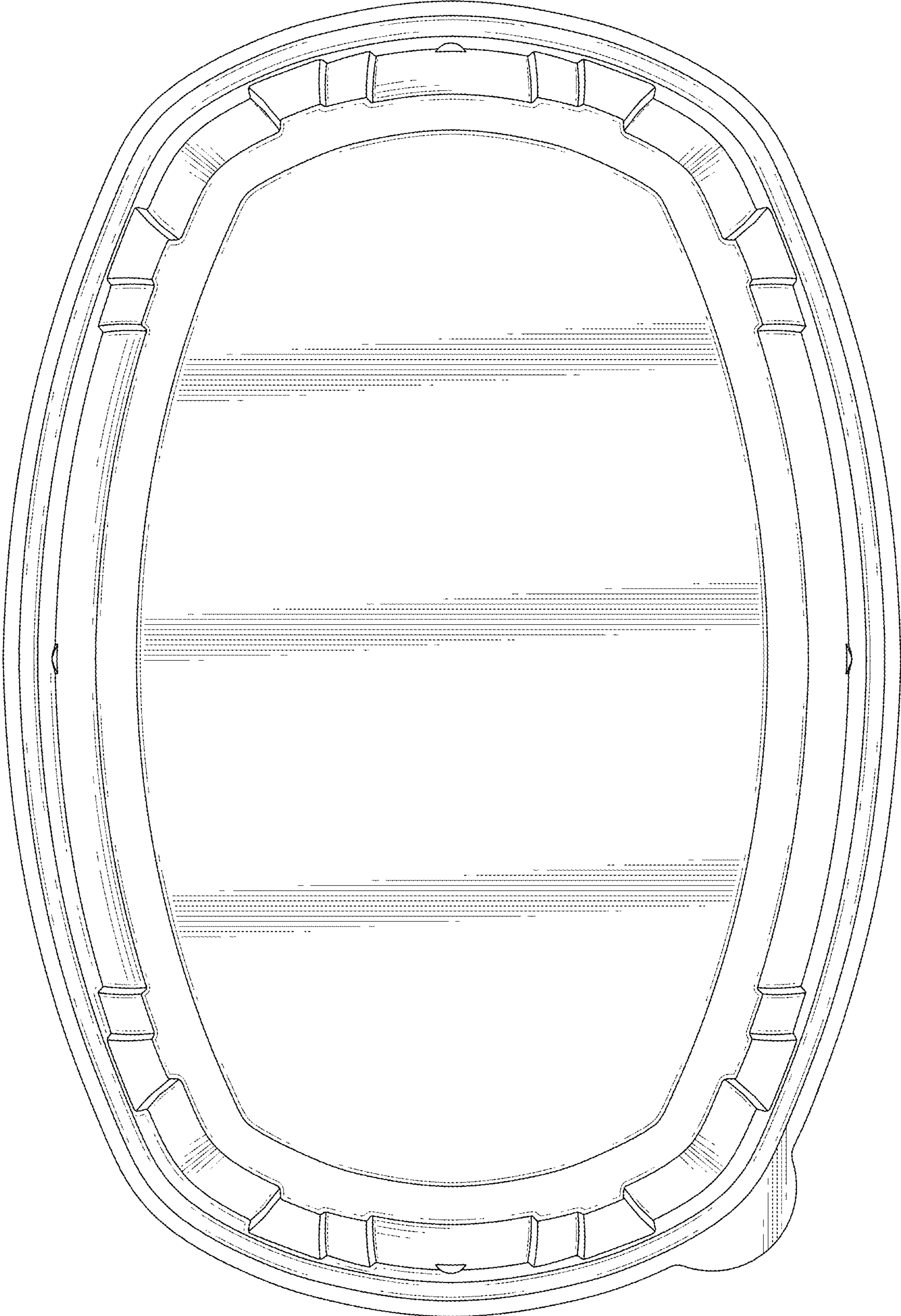


FIG. 13



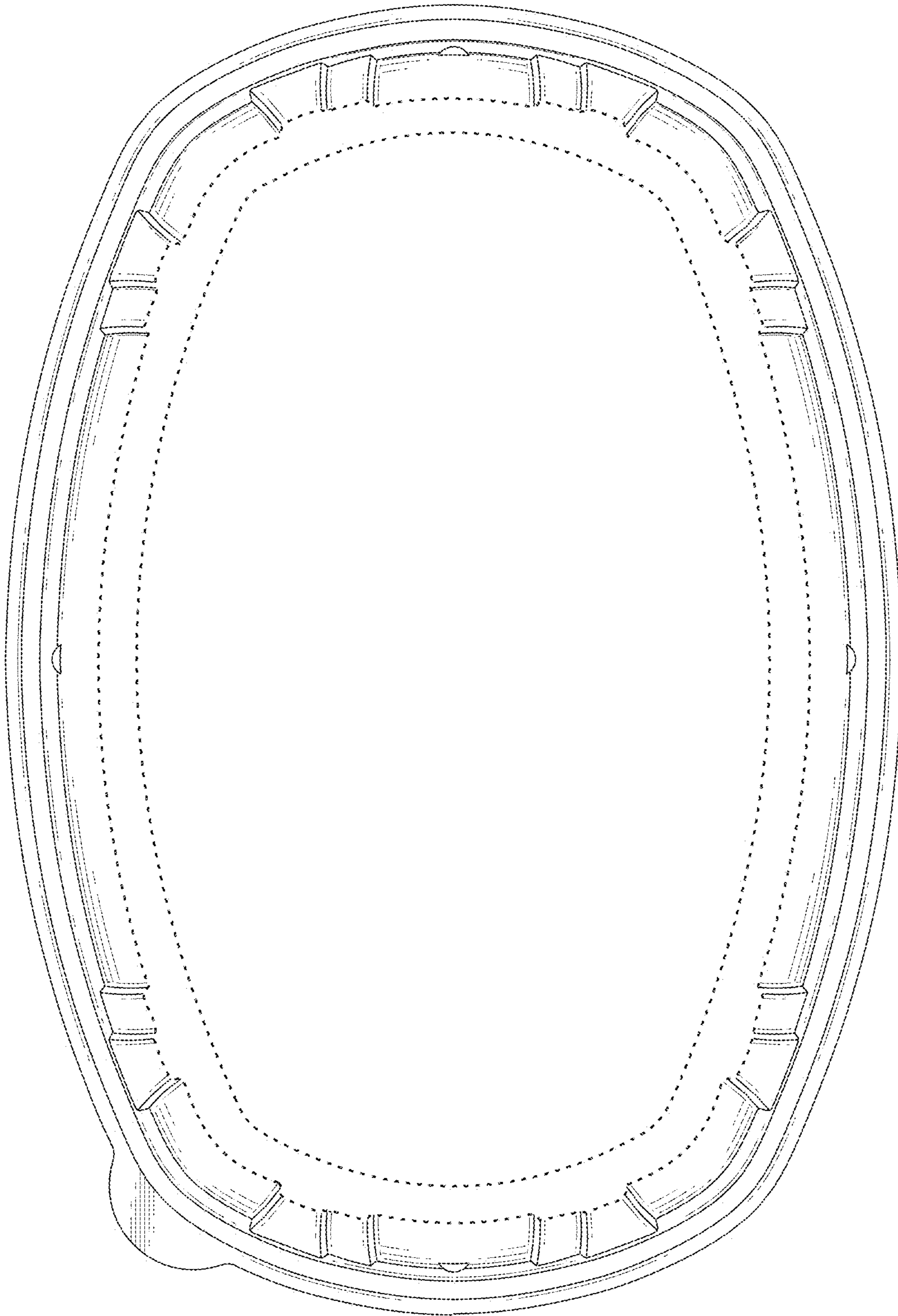


FIG. 14

FIG. 15

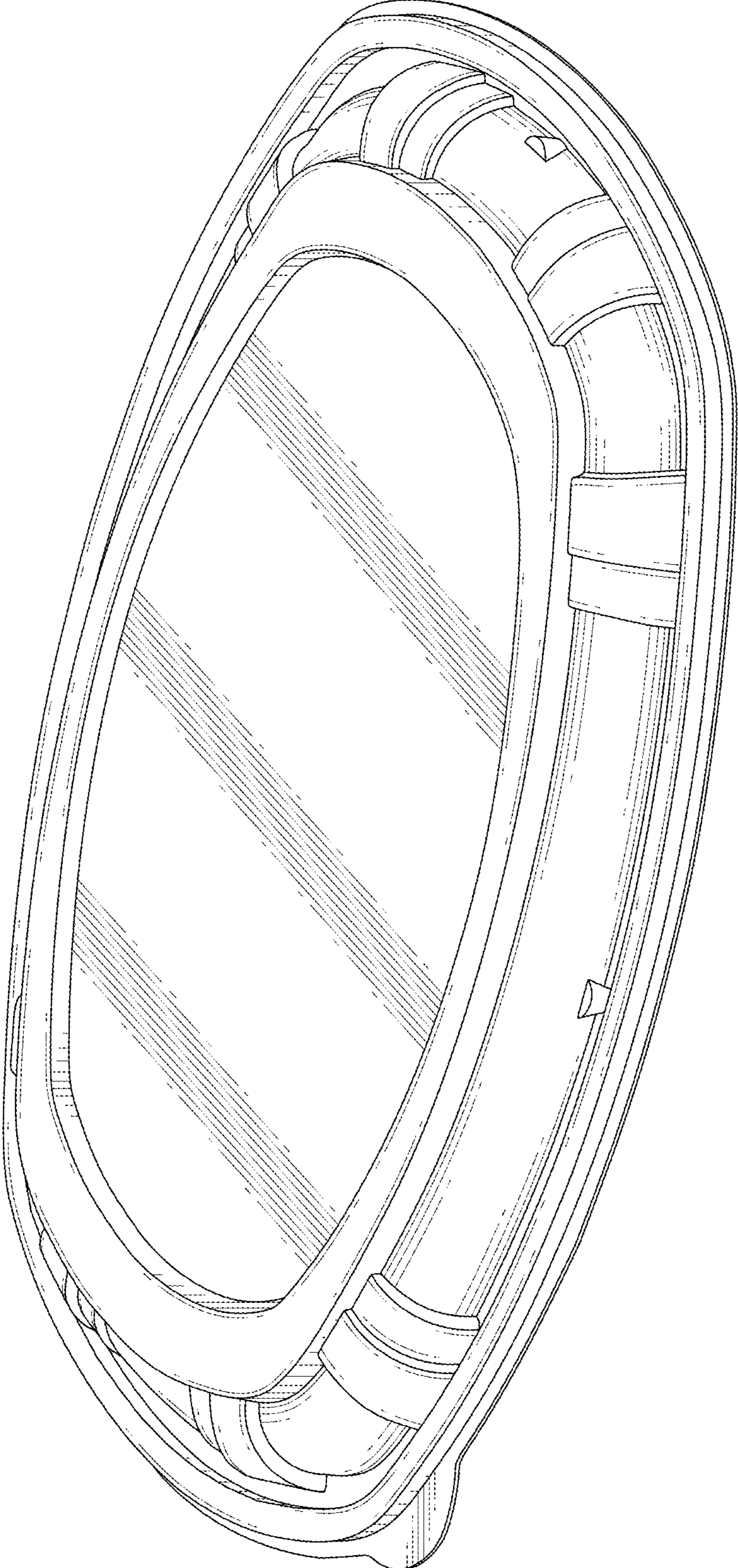


FIG. 16

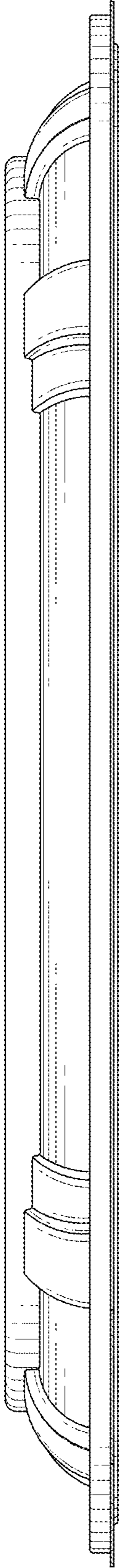


FIG. 17

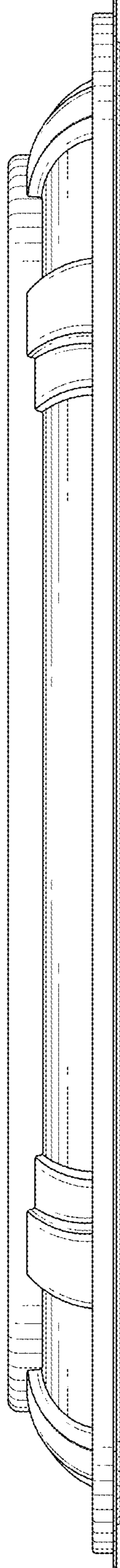


FIG. 18

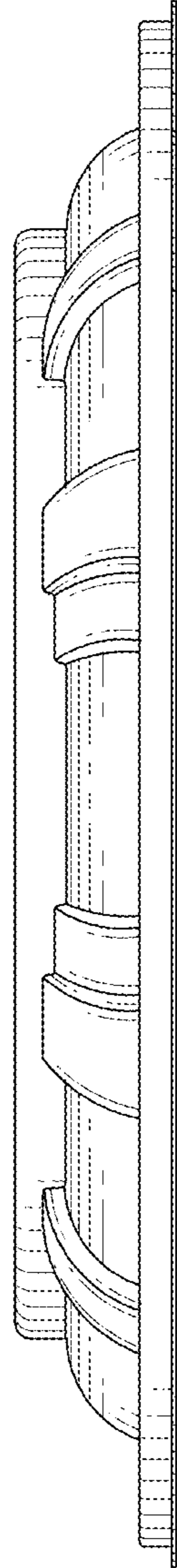
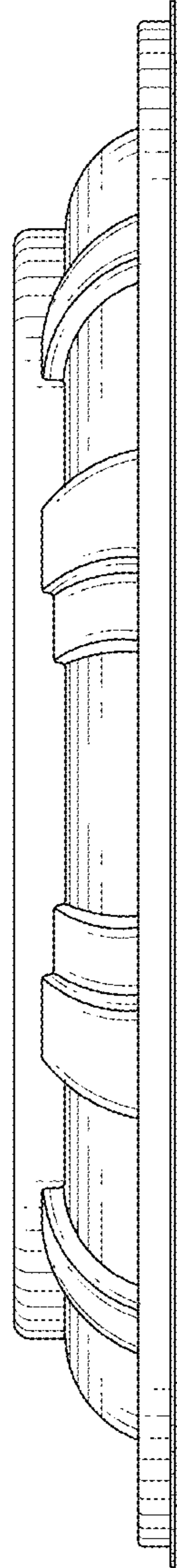


FIG. 19



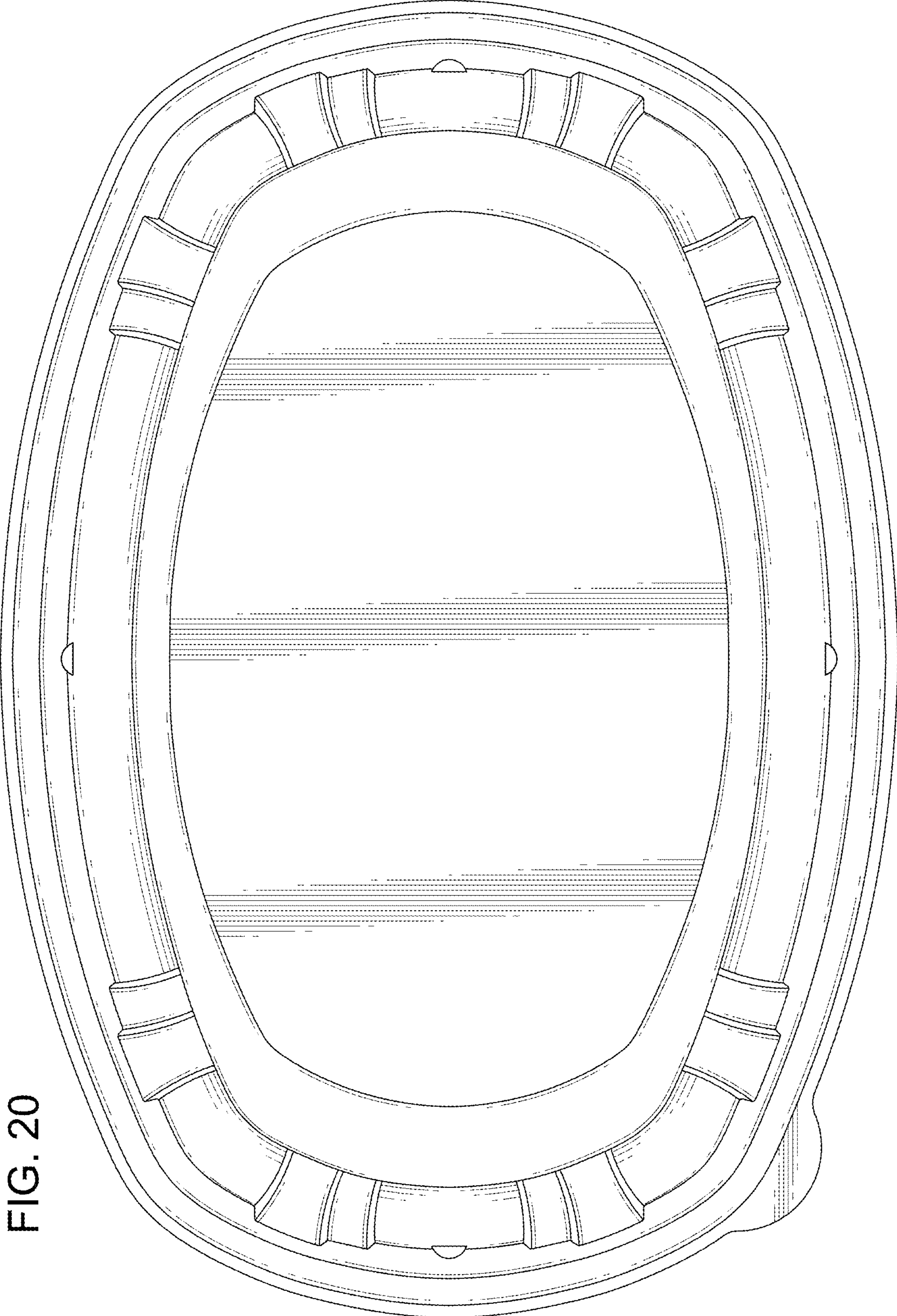


FIG. 20

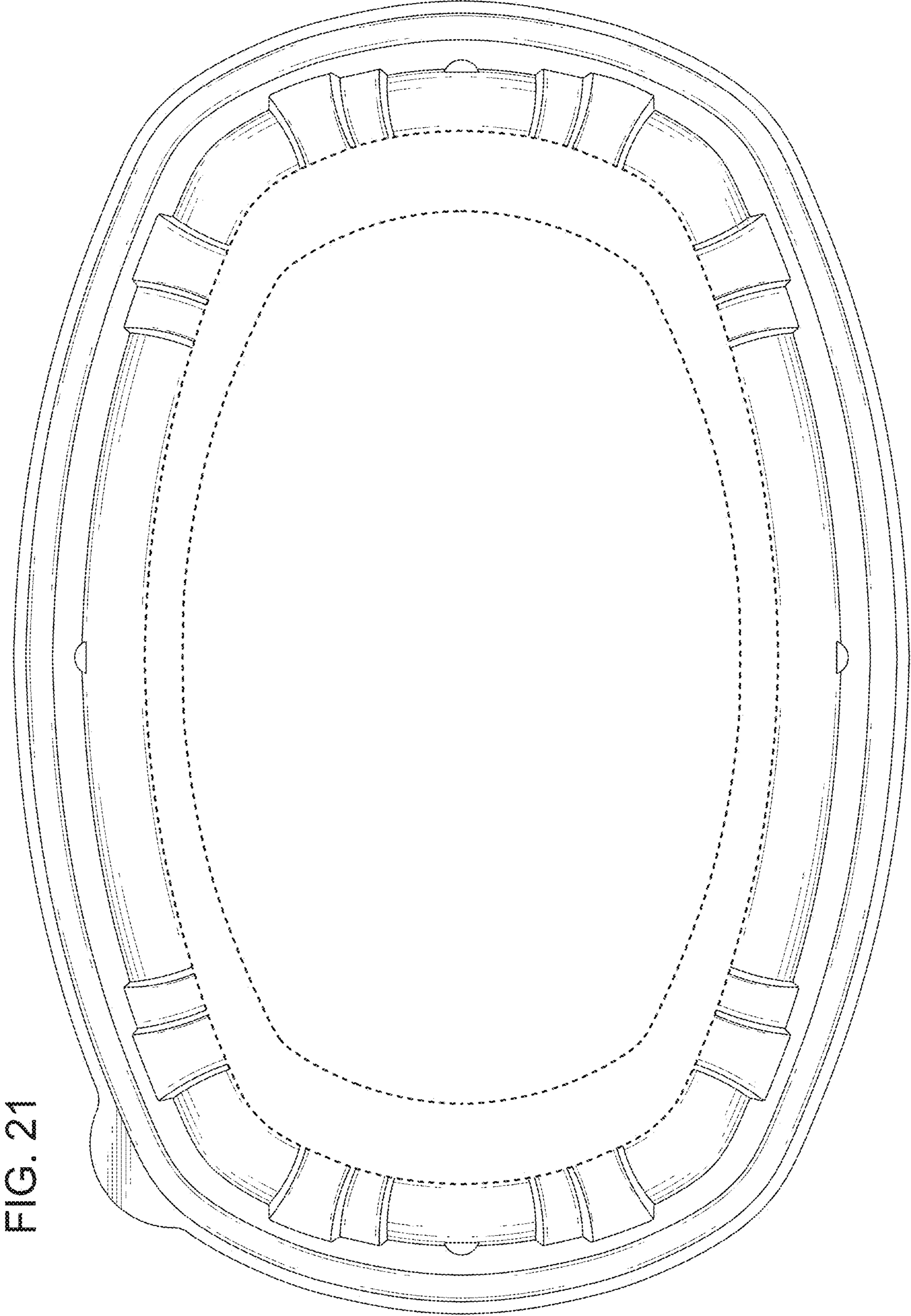


FIG. 21