



US00D886595S

(12) **United States Design Patent**  
**Wouters**

(10) **Patent No.:** **US D886,595 S**

(45) **Date of Patent:** **\*\* Jun. 9, 2020**

(54) **TRAY FOR FOOD**

(71) Applicant: **Gate Gourmet Switzerland GmbH,**  
Glattbrugg (CH)

(72) Inventor: **Luc Wouters,** Olen (BE)

(\*\*) Term: **15 Years**

(21) Appl. No.: **29/640,116**

(22) Filed: **Mar. 12, 2018**

(30) **Foreign Application Priority Data**

Sep. 13, 2017 (EM) ..... 004349686-0003

(51) **LOC (12) Cl.** ..... **09-03**

(52) **U.S. Cl.**  
USPC ..... **D9/426**

(58) **Field of Classification Search**  
USPC ..... D7/400, 601, 608; D9/416, 417, 420,  
D9/425-429, 430, 432, 761; 206/499,  
206/501, 502, 821; 220/625, 656, 669,  
220/670, 674; 229/123.1, 123.2, 125.33,  
229/125.35, 400-407, 915, 939  
CPC . B65D 1/26; B65D 1/40; B65D 5/243; B65D  
81/3453; B65D 2581/34; B65D  
2581/3404; B65D 2581/3456  
See application file for complete search history.

(56) **References Cited**

**U.S. PATENT DOCUMENTS**

D601,014 S \* 9/2009 Petitjean ..... D9/426  
7,597,206 B2 \* 10/2009 Atkins ..... B65D 1/36  
220/324

D749,412 S \* 2/2016 Hu ..... D9/426  
D793,811 S \* 8/2017 Ng ..... D7/540  
2004/0134910 A1 \* 7/2004 Colombo ..... B65D 43/164  
220/4.23  
2010/0072217 A1 \* 3/2010 Parikh ..... B65D 43/16  
220/833  
2010/0102074 A1 \* 4/2010 Parikh ..... B65D 43/0254  
220/810  
2012/0031921 A1 \* 2/2012 Cadiente ..... B65D 43/162  
220/835

\* cited by examiner

*Primary Examiner* — Janice Patyk

(74) *Attorney, Agent, or Firm* — Woodard, Emhardt,  
Henry, Reeves & Wagner LLP

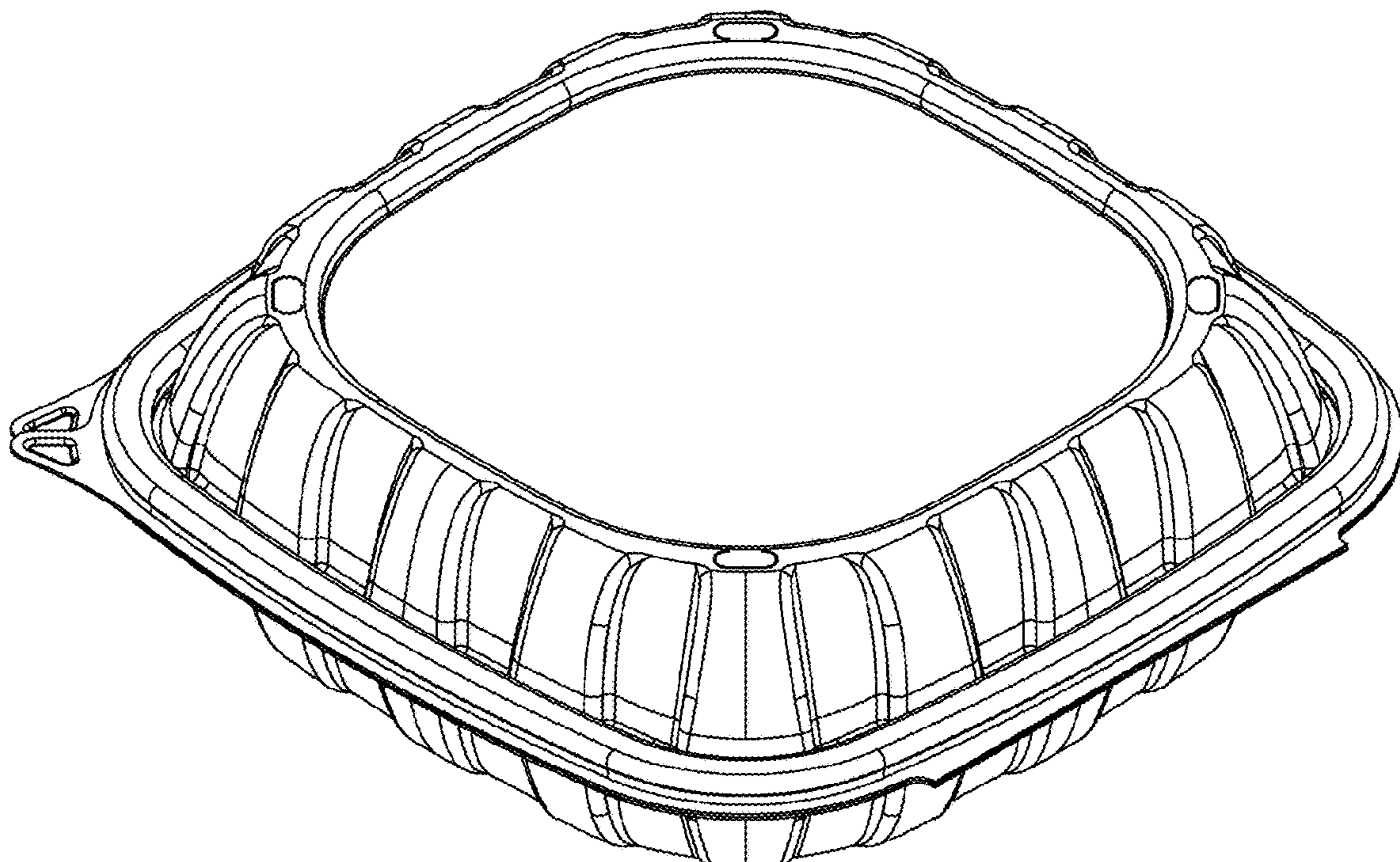
(57) **CLAIM**

The ornamental design for a tray for food, as shown and described.

**DESCRIPTION**

FIG. 1 is a perspective view of a tray for food, showing my new design.  
FIG. 2 is a perspective view thereof, shown in closed condition.  
FIG. 3 is a top view thereof.  
FIG. 4 is a bottom view thereof.  
FIG. 5 is a right side view thereof, the left side view being a mirror image thereof.  
FIG. 6 is a rear view thereof; and,  
FIG. 7 is a front view thereof.  
The broken lines in the figures illustrate portions of the design that form no part of the claimed design.

**1 Claim, 6 Drawing Sheets**



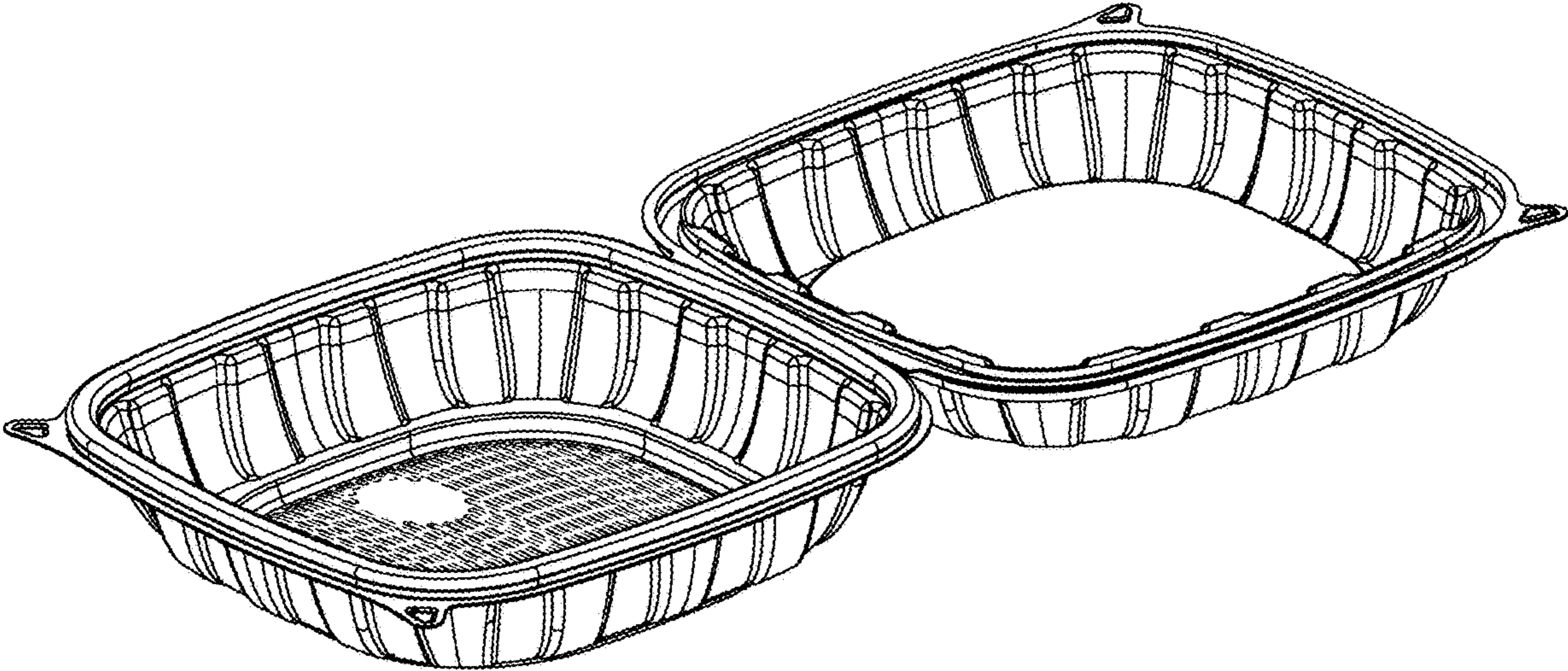


FIG 1

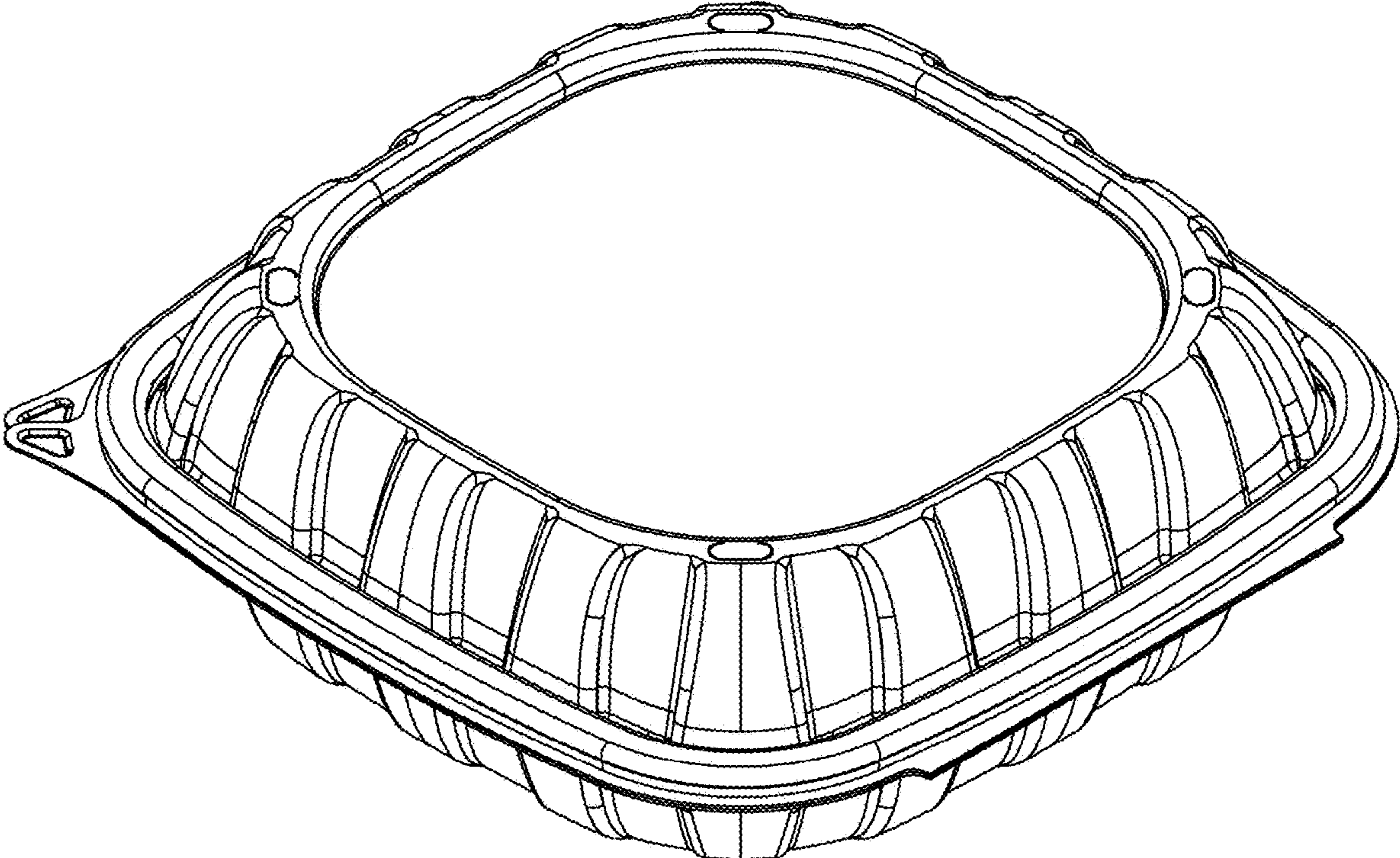


FIG 2

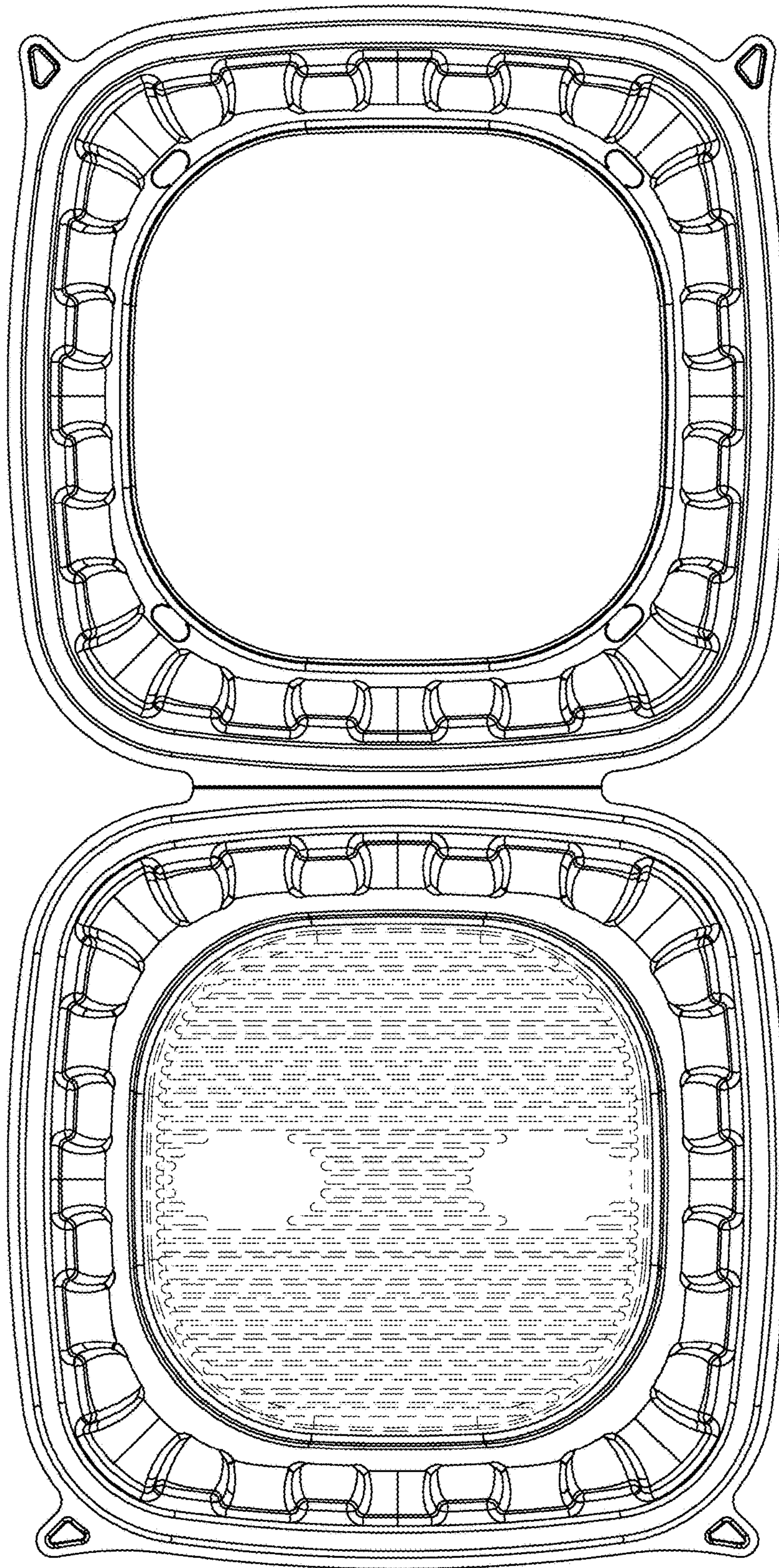


FIG 3

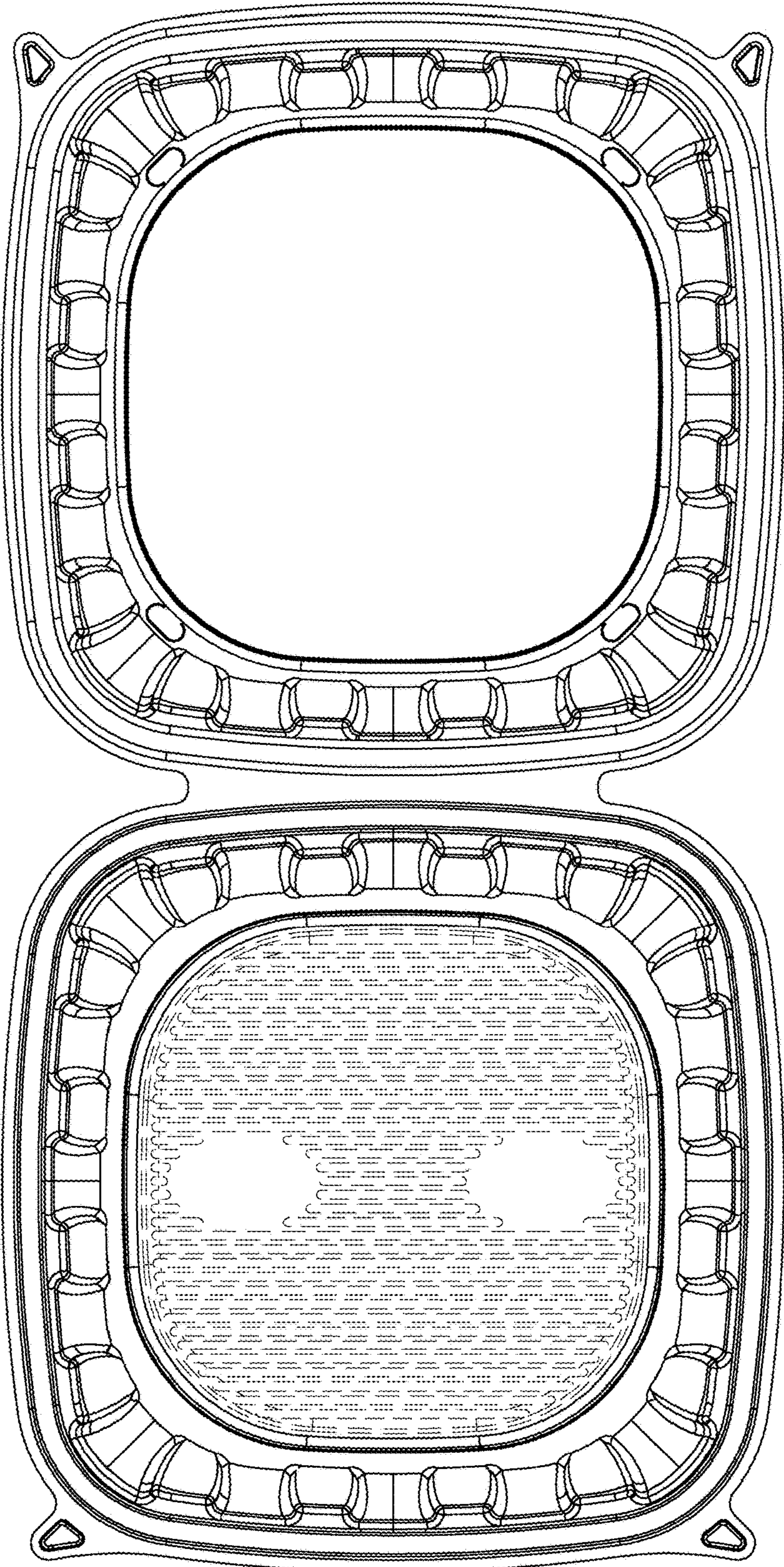


FIG 4

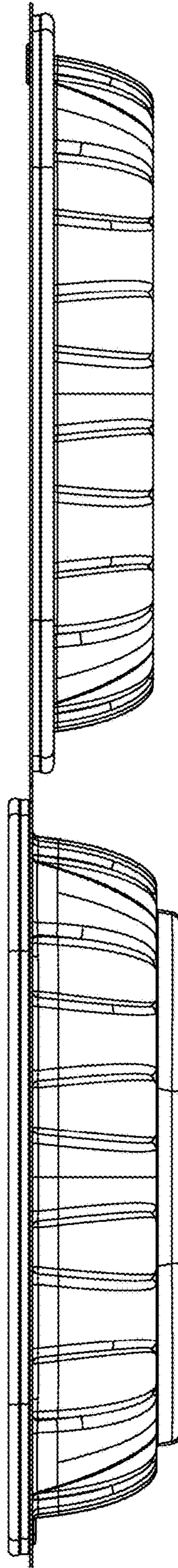


FIG 5

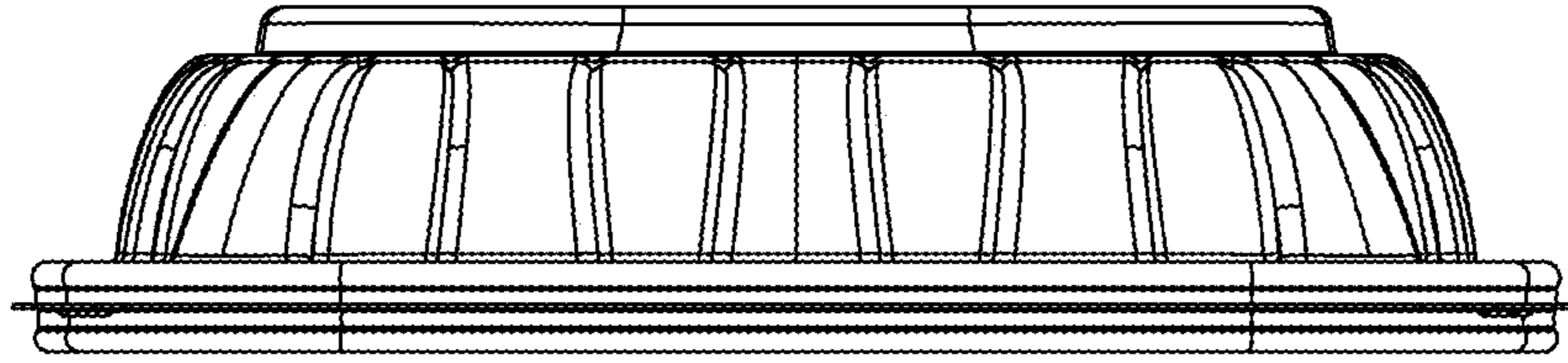


FIG 6

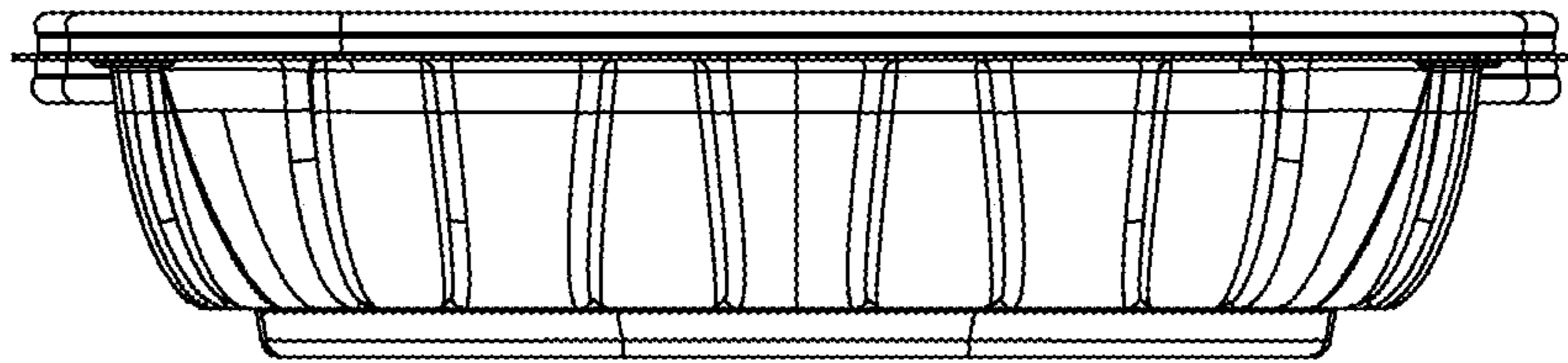


FIG 7