



US00D886590S

(12) **United States Design Patent** (10) **Patent No.:** **US D886,590 S**
Dominion et al. (45) **Date of Patent:** **** Jun. 9, 2020**

(54) **CONTAINER**

(71) Applicant: **D6 Inc.**, Portland, OR (US)

(72) Inventors: **Ed Dominion**, Portland, OR (US);
Martin Troutd, Wood Village, OR
(US); **Ben McGregor**, Portland, OR
(US)

(73) Assignee: **D6 Inc.**, Portland, OR (US)

(**) Term: **15 Years**

(21) Appl. No.: **29/667,796**

(22) Filed: **Oct. 24, 2018**

Related U.S. Application Data

(63) Continuation-in-part of application No. 29/639,616,
filed on Mar. 7, 2018, now Pat. No. Des. 857,493.

(51) **LOC (12) Cl.** **09-03**

(52) **U.S. Cl.**
USPC **D9/425**

(58) **Field of Classification Search**

USPC D7/400, 601, 608; D9/416, 417, 420,
D9/425-429, 430, 432, 761; 206/499,
206/501, 502, 821; 220/625, 656, 669,
220/670, 674; 229/123.1, 123.2, 125.33,
229/125.35, 400-407, 915, 939
CPC . B65D 1/26; B65D 1/40; B65D 5/243; B65D
81/3453; B65D 2581/34; B65D
2581/3404; B65D 2581/3456
See application file for complete search history.

(56) **References Cited**

U.S. PATENT DOCUMENTS

D414,413 S * 9/1999 Brown D9/425
D466,365 S * 12/2002 Brown D7/392.1

D494,468 S * 8/2004 Vovan D9/428
D510,843 S * 10/2005 Vovan D7/543
D511,437 S * 11/2005 Brown D7/566
D512,877 S * 12/2005 Vovan D7/602
D539,137 S * 3/2007 Lin D9/429
D543,787 S * 6/2007 Wasserman D7/565

* cited by examiner

Primary Examiner — Janice Patyk

(74) *Attorney, Agent, or Firm* — Stoel Rives LLP

(57) **CLAIM**

The ornamental design for a container, as shown and described.

DESCRIPTION

FIG. 1 is a front, top perspective view of a container showing our new design;

FIG. 2 is a front elevational view of the container;

FIG. 3 is a rear elevational view of the container;

FIG. 4 is a right side elevation view of the container;

FIG. 5 is a left side elevation view of the container;

FIG. 6 is a top plan view of the container;

FIG. 7 is a bottom plan view of the container;

FIG. 8 is a rear, bottom perspective view of the container;

FIG. 9 is a front perspective view of the container, shown with an environmental lid; and,

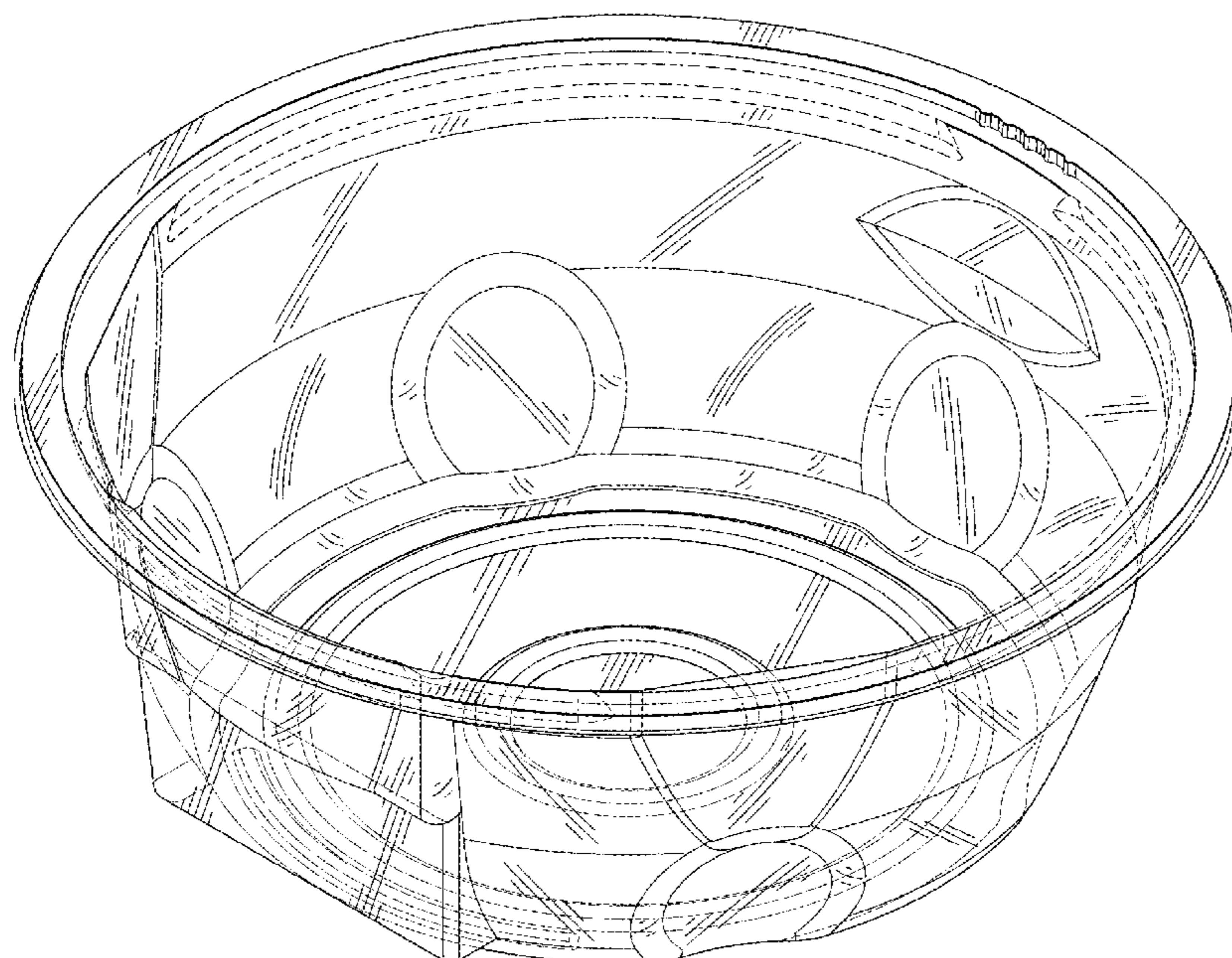
FIG. 10 is an exploded front perspective view of the container, shown with an environmental lid.

The broken lines in the figures illustrate the portion of the design that form no part of the claimed design.

The broken line lid of FIGS. 9 and 10 illustrate environmental subject matter that form no part of the claimed design.

None of the broken lines form any part of the claimed design.

1 Claim, 8 Drawing Sheets



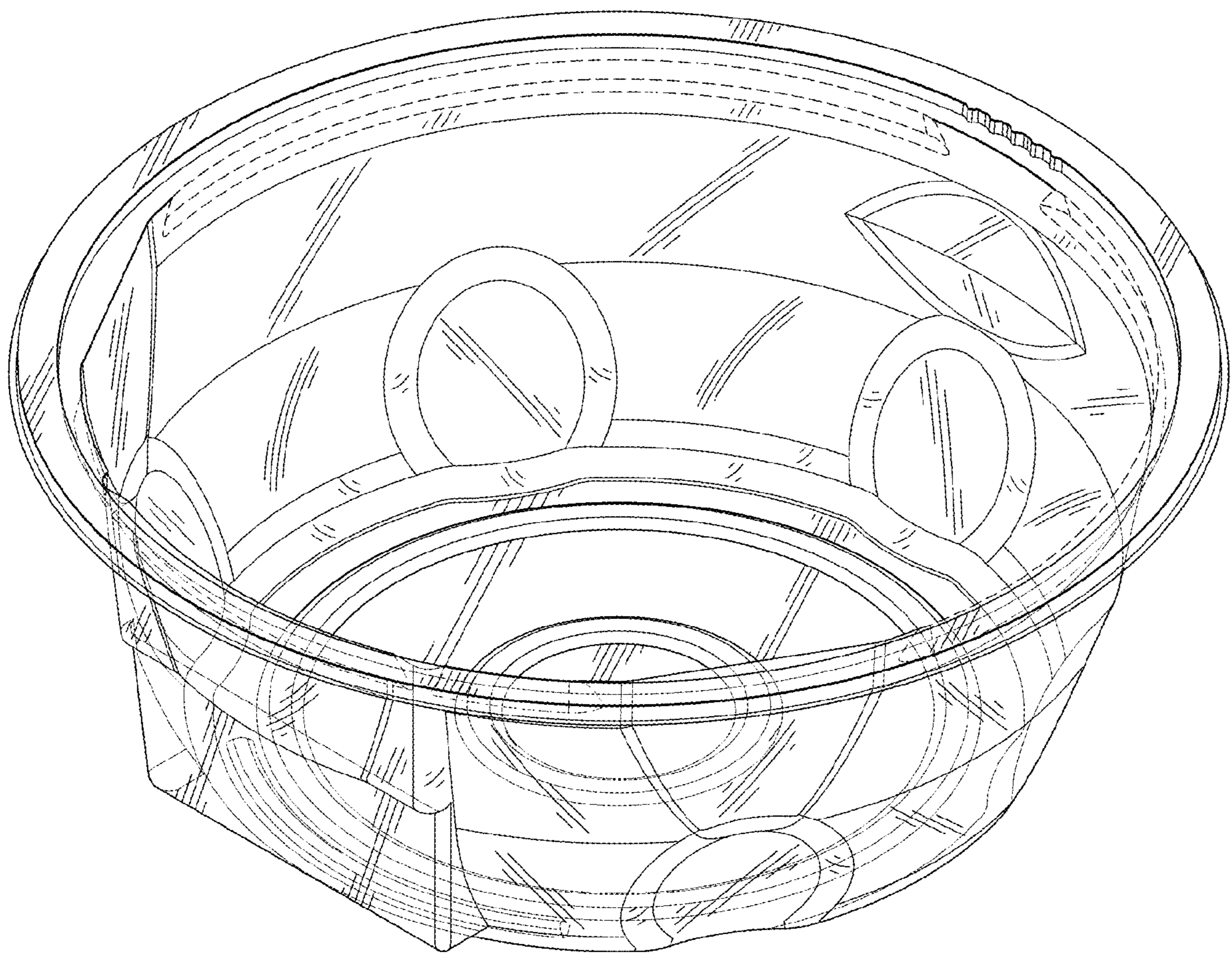


FIG. 1

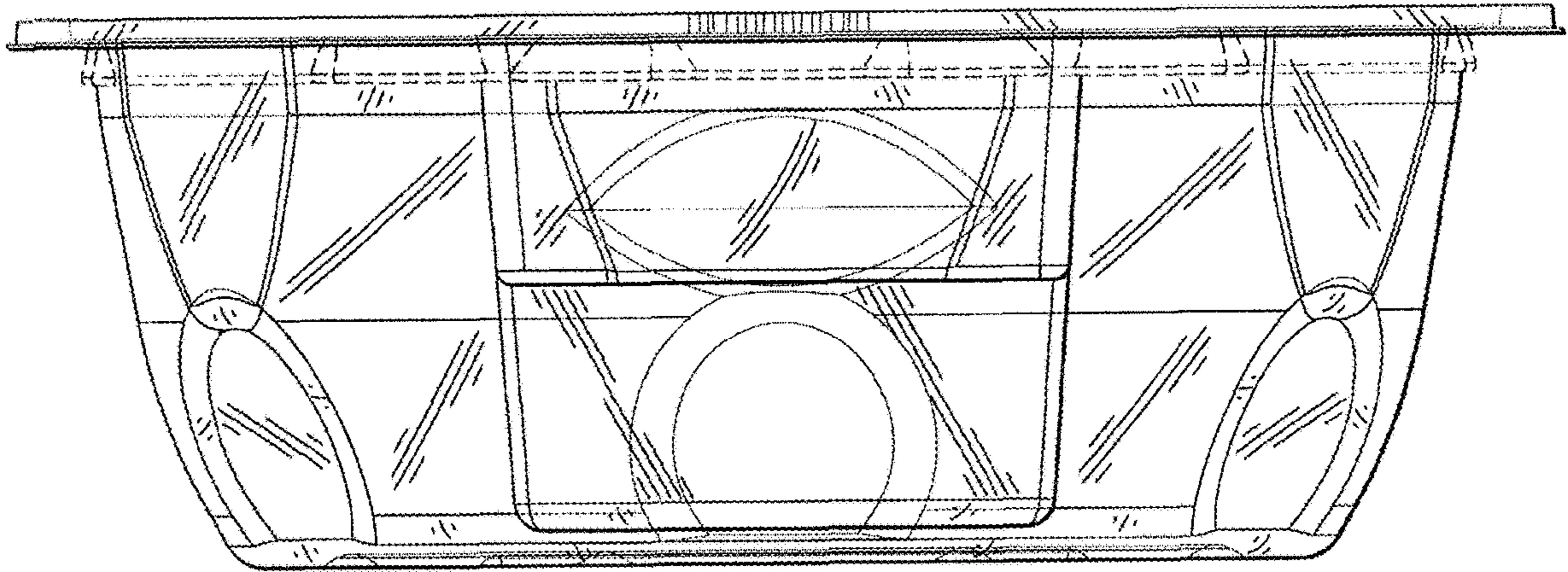


FIG. 2

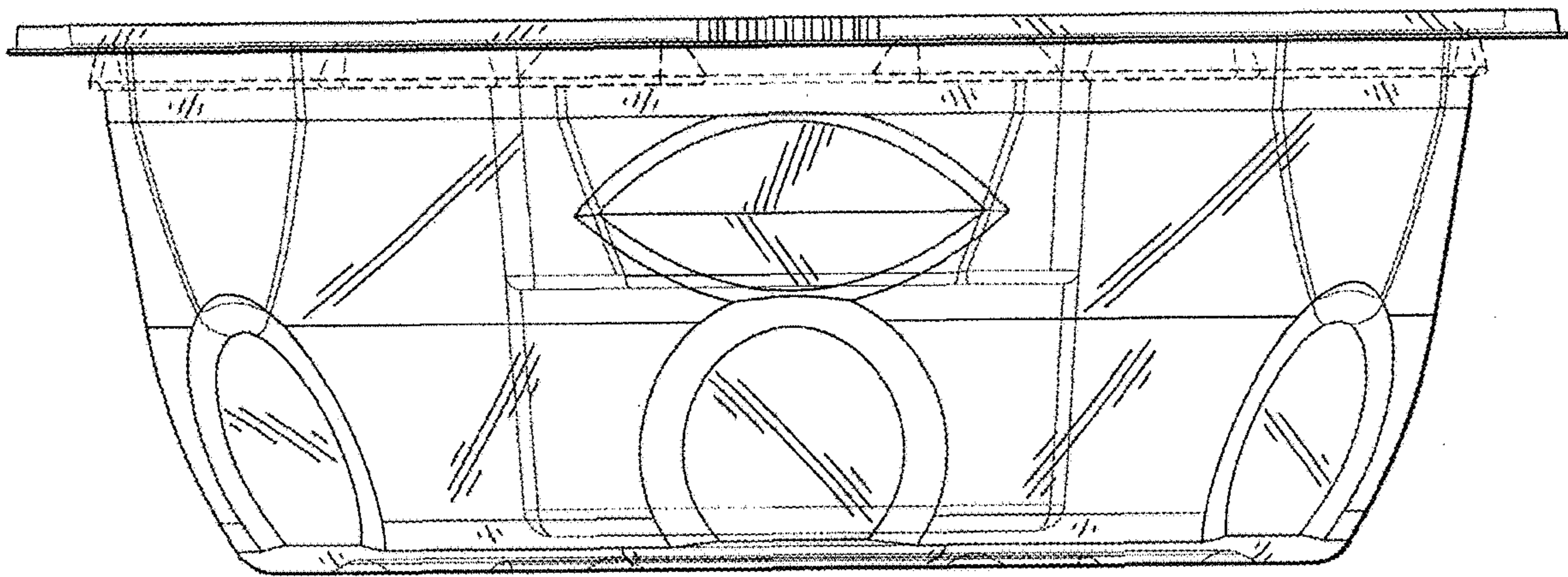


FIG. 3

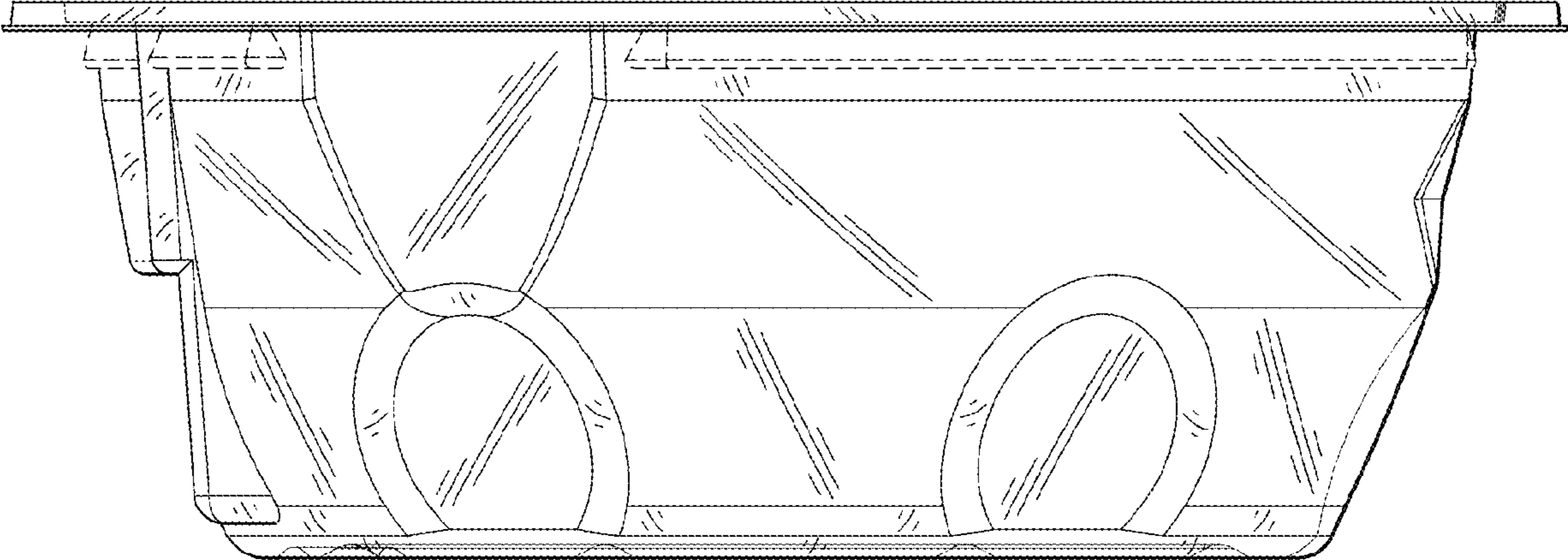


FIG. 4

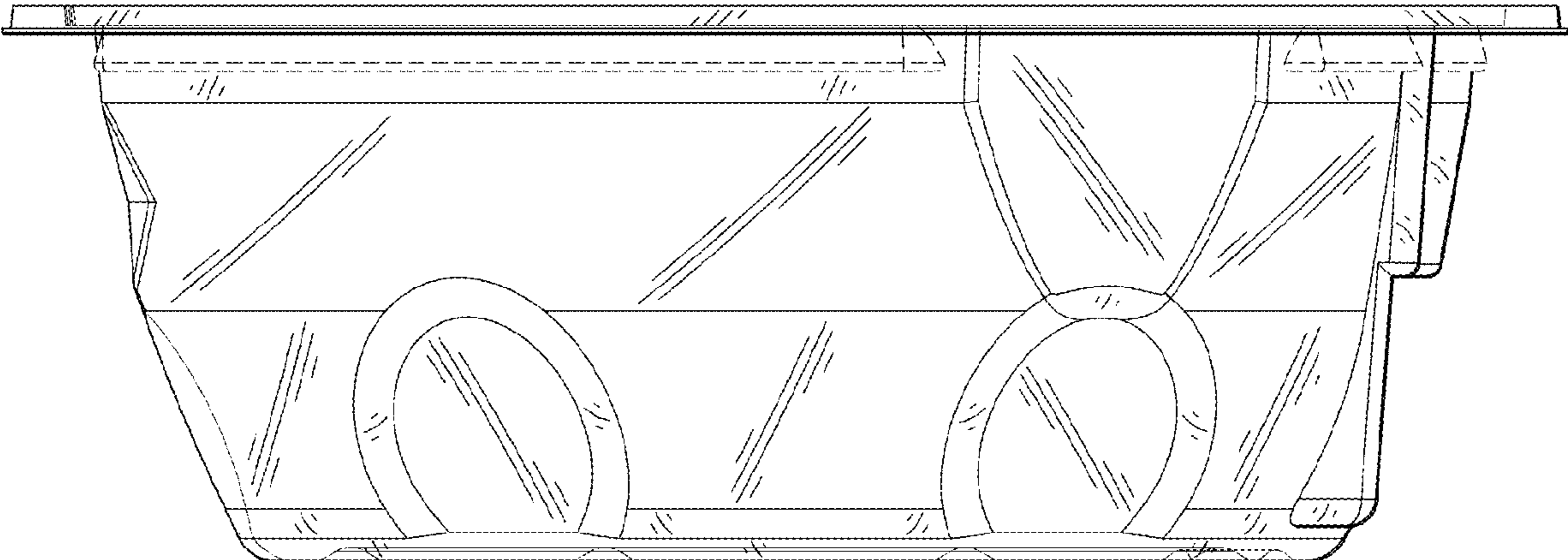


FIG. 5

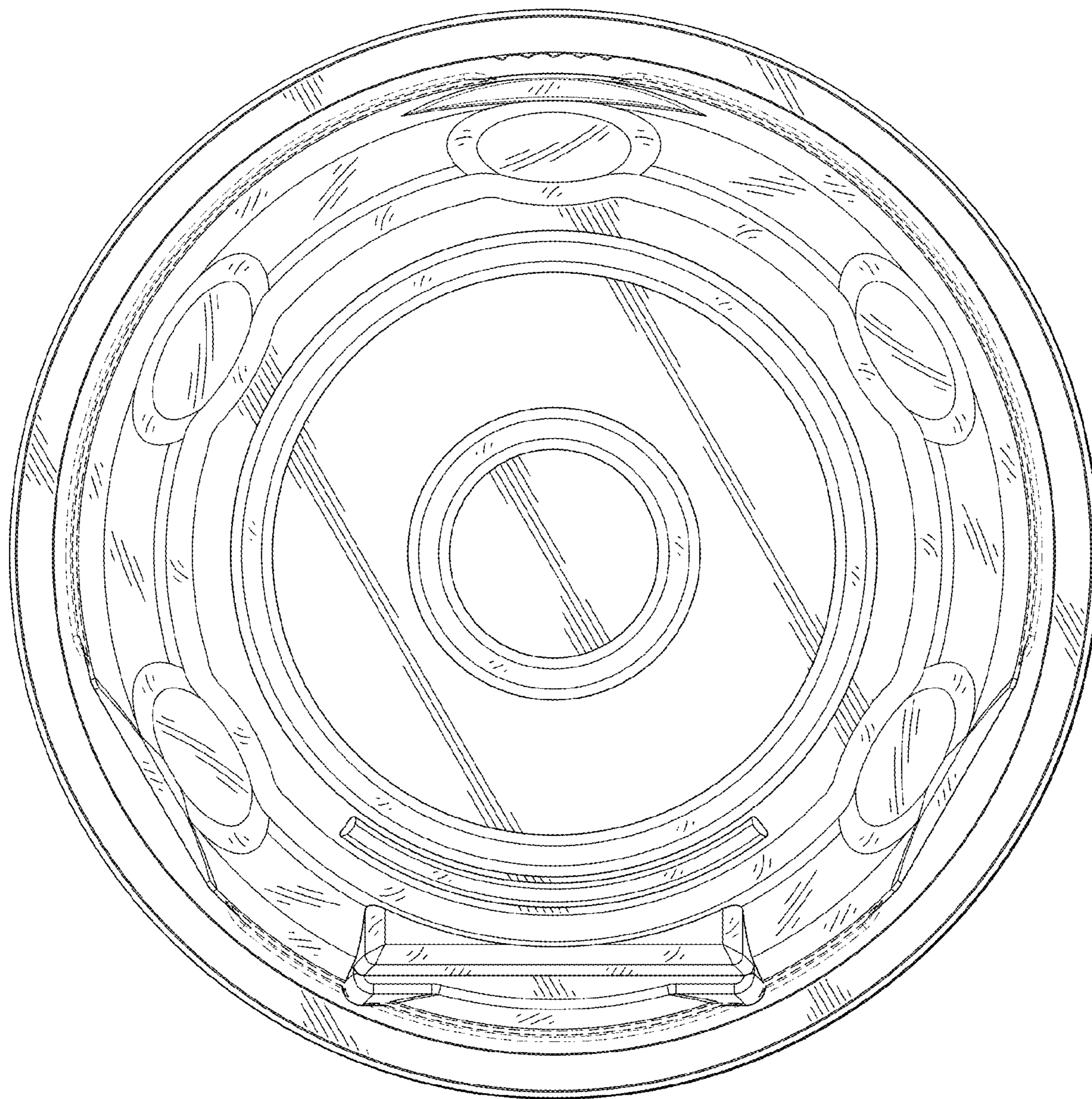


FIG. 6

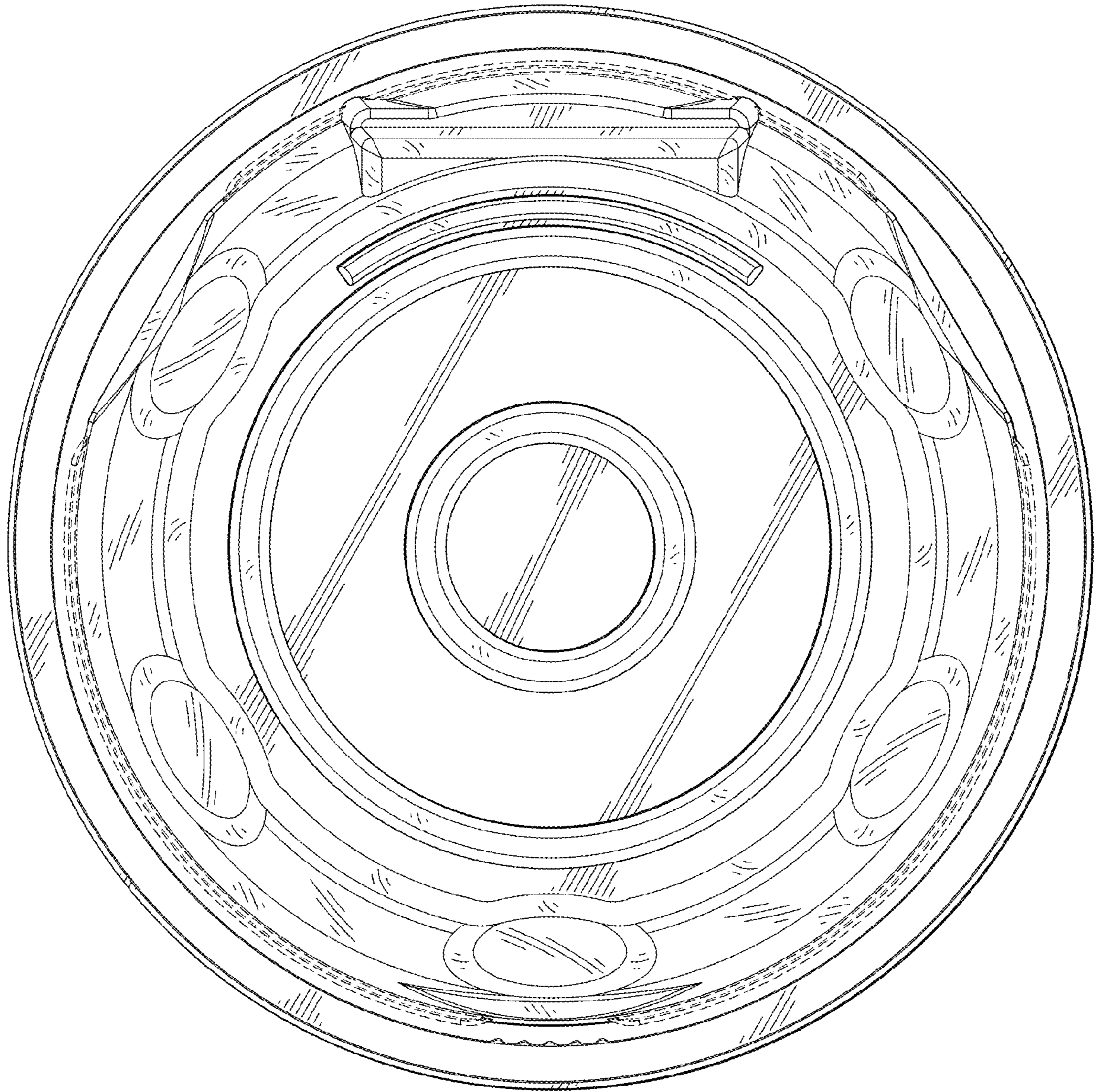


FIG. 7

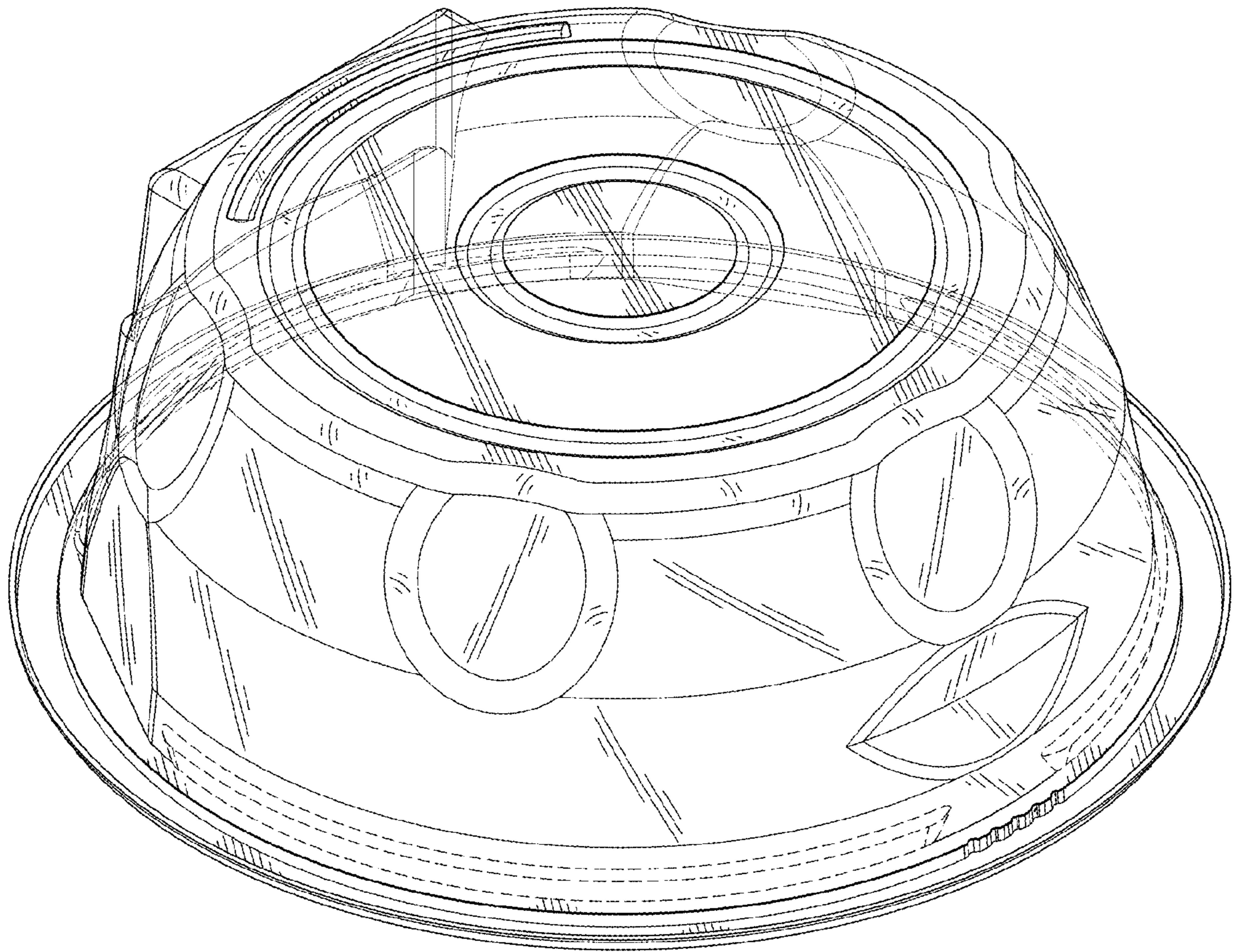


FIG. 8

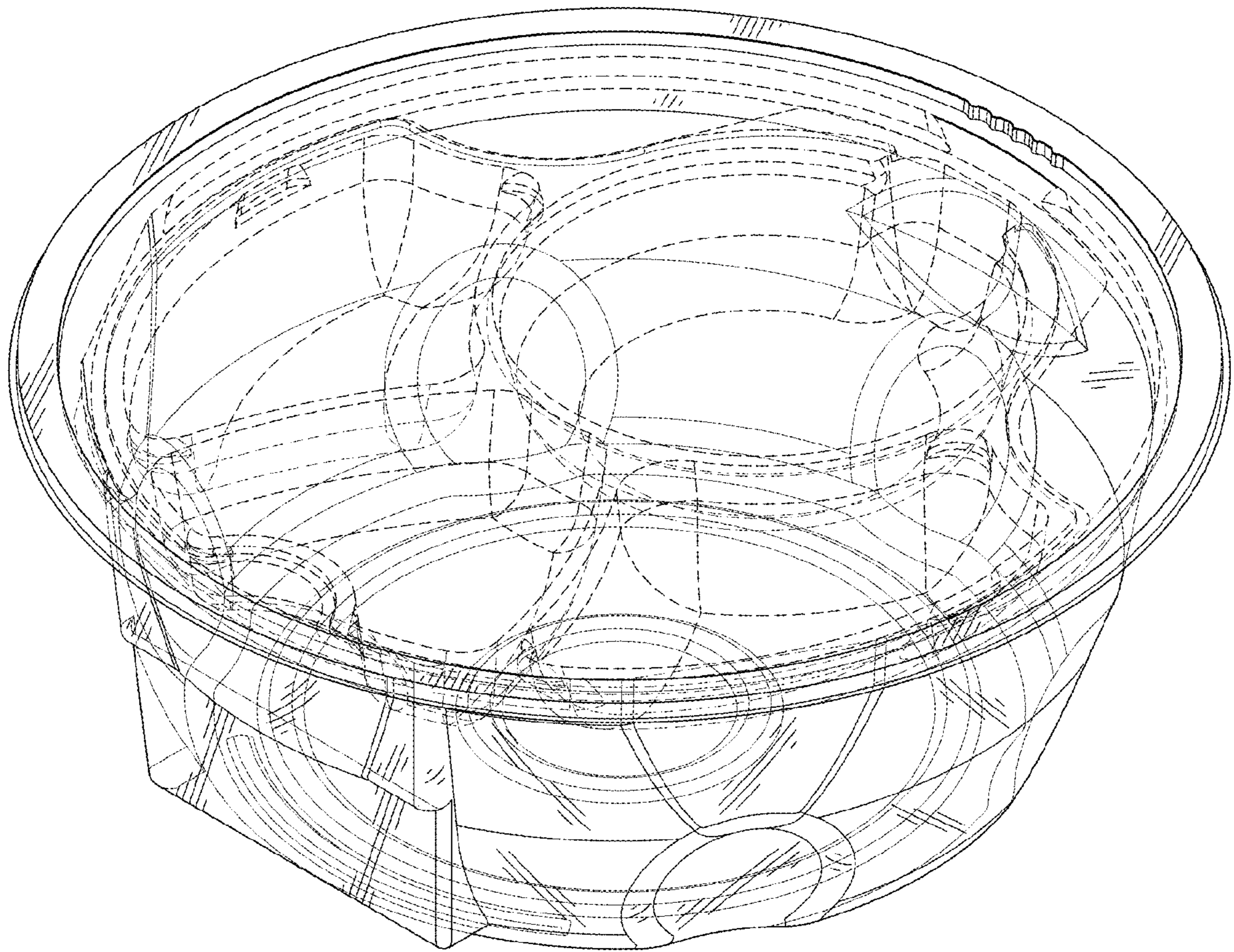


FIG. 9

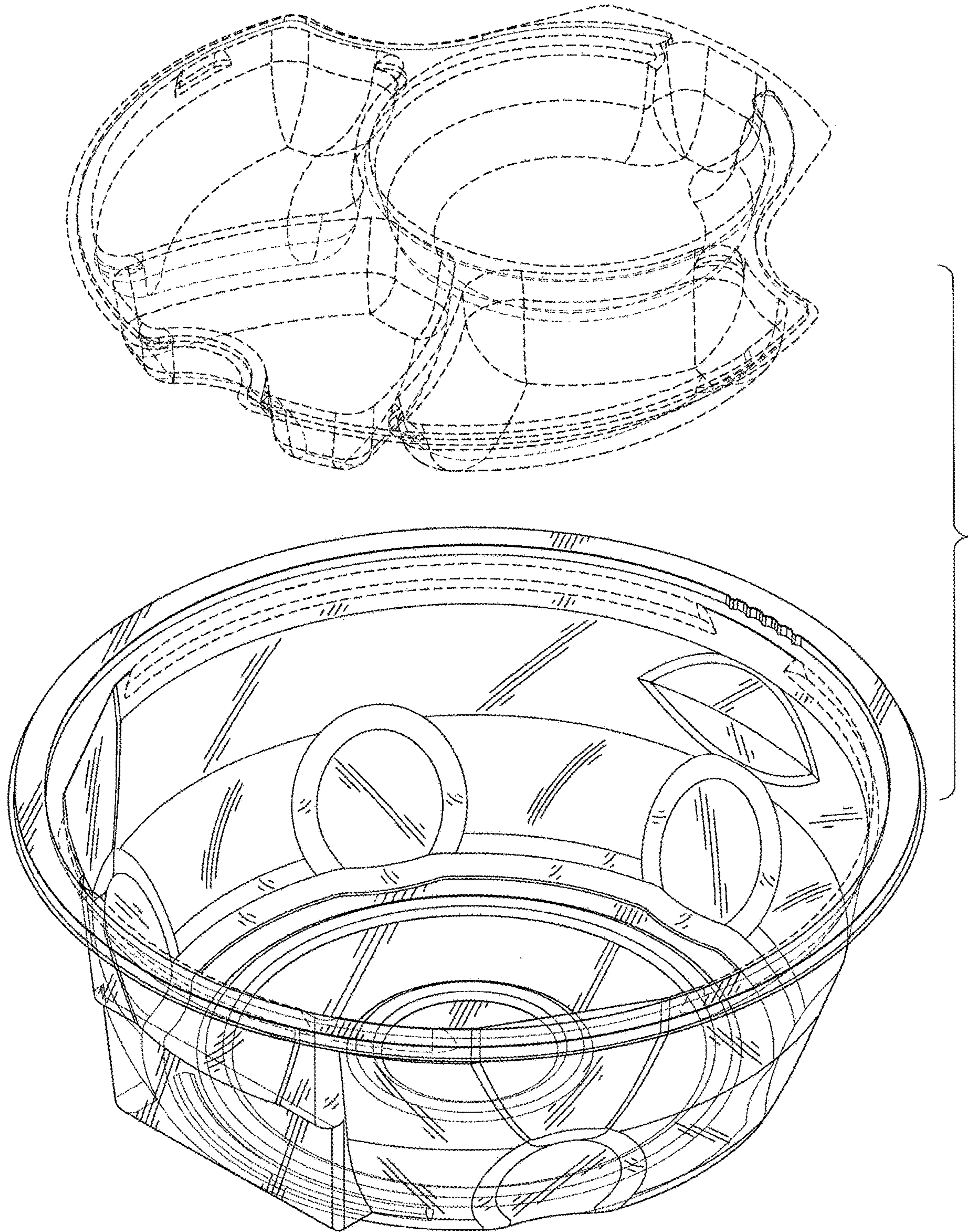


FIG. 10