



US00D886587S

(12) **United States Design Patent**
Brown et al.

(10) **Patent No.:** **US D886,587 S**
(45) **Date of Patent:** **** Jun. 9, 2020**

(54) **PACKAGE**

(71) Applicant: **Pinnpack Packaging, LLC**, Oxnard, CA (US)

(72) Inventors: **Dean Brown**, Oxnard, CA (US); **Ira Maroofian**, Oxnard, CA (US)

(73) Assignee: **PINPACK PACKAGING, LLC**, Oxnard, CA (US)

(**) Term: **15 Years**

(21) Appl. No.: **29/647,541**

(22) Filed: **May 14, 2018**

(51) **LOC (12) Cl.** **09-03**

(52) **U.S. Cl.**
USPC **D9/425**

(58) **Field of Classification Search**
USPC D7/400, 601, 608; D9/416, 417, 420, D9/425-429, 430, 432, 761; 206/499, 206/501, 502, 821; 220/625, 656, 669, 220/670, 674; 229/123.1, 123.2, 125.33, 229/125.35, 400-407, 915, 939
CPC . B65D 1/26; B65D 1/40; B65D 5/243; B65D 81/3453; B65D 2581/34; B65D 2581/3404; B65D 2581/3456
See application file for complete search history.

(56) **References Cited**

U.S. PATENT DOCUMENTS

D462,880 S * 9/2002 Maxwell D7/629
D585,734 S * 2/2009 Doliwa D7/629

D590,706 S * 4/2009 Doliwa D7/629
D655,606 S * 3/2012 Snedden D9/452
D708,942 S * 7/2014 Snedden D9/435
D739,226 S * 9/2015 Hagl D9/416
D744,327 S * 12/2015 Snedden D9/418
D840,841 S * 2/2019 Appendini D9/759

* cited by examiner

Primary Examiner — Janice Patyk

(74) *Attorney, Agent, or Firm* — Michael R Shevlin

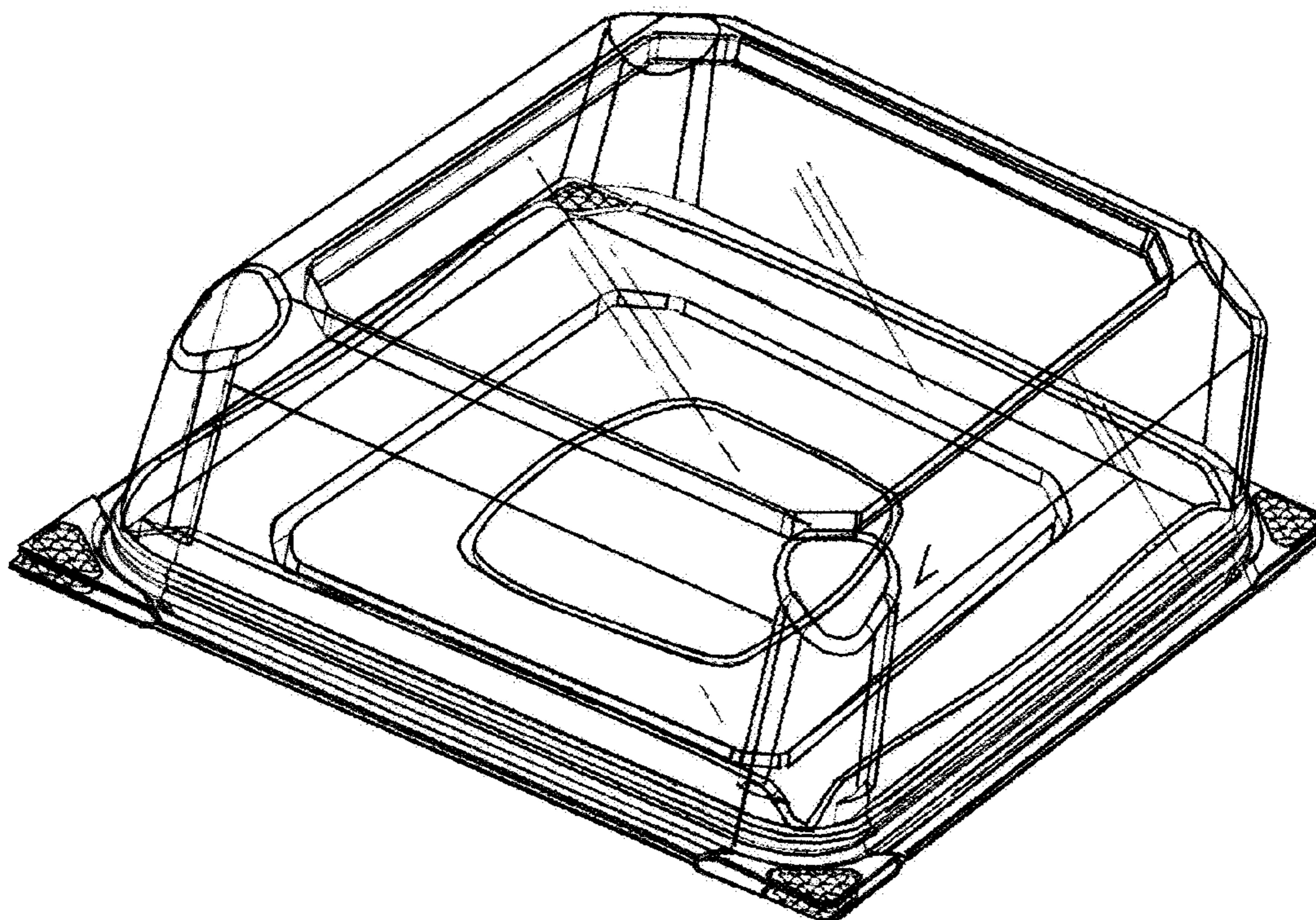
(57) **CLAIM**

The ornamental design for a package, as shown and described.

DESCRIPTION

FIG. 1 is a perspective view of a package, showing our new design;
FIG. 2 is a front view thereof;
FIG. 3 is a rear view thereof;
FIG. 4 is a right side view thereof;
FIG. 5 is left side view thereof;
FIG. 6 is a top view thereof; and,
FIG. 7 is a bottom view thereof.
The broken lines in the figures illustrate the portions of the design that form no part of the claimed design.

1 Claim, 7 Drawing Sheets



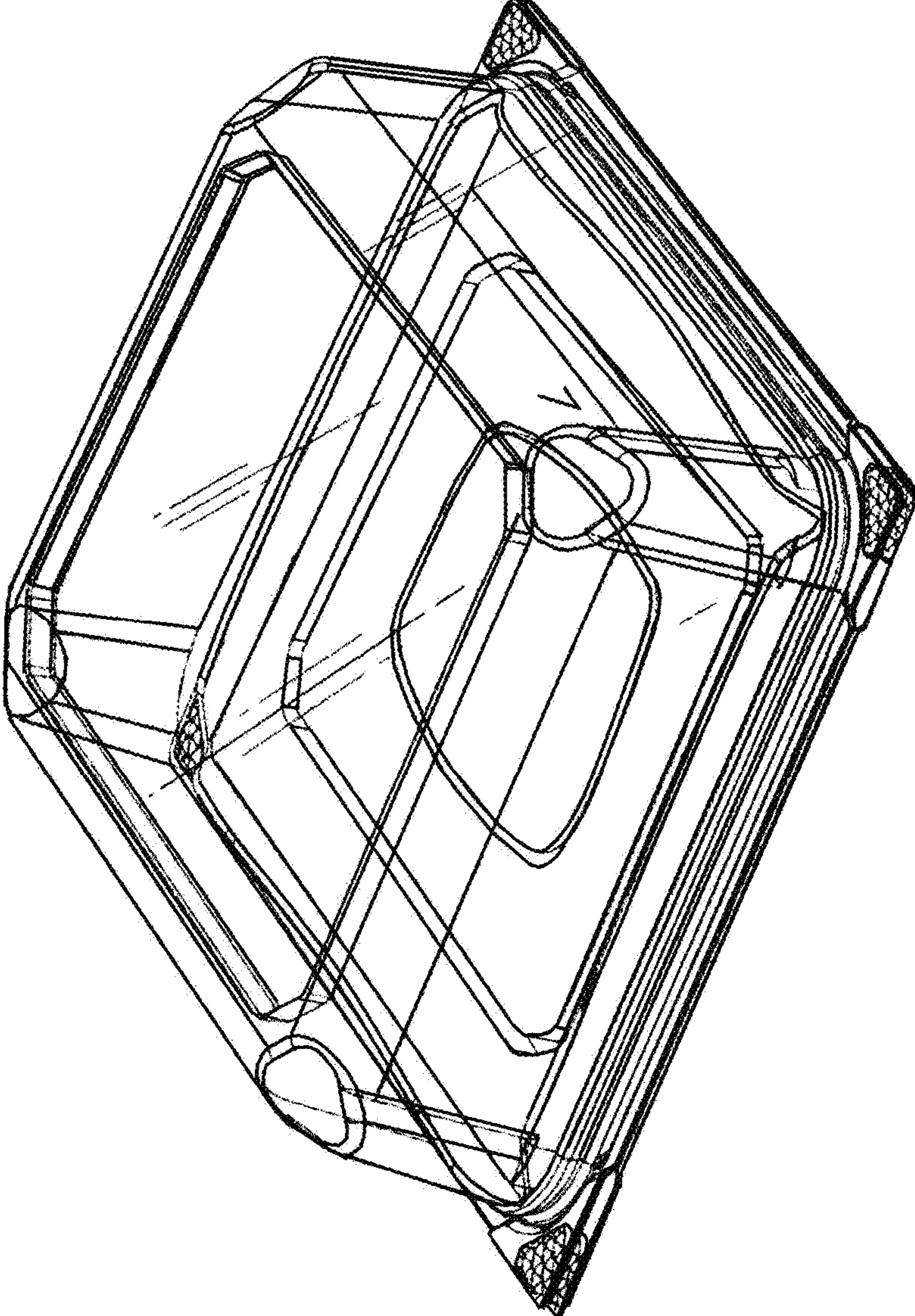


FIG. 1

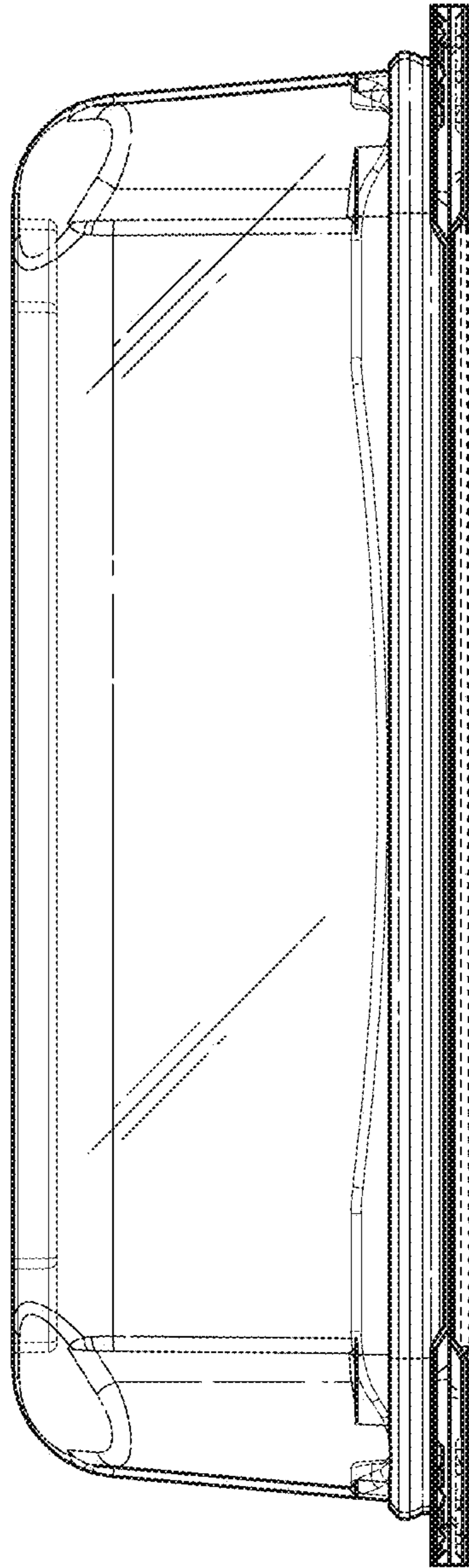


FIG. 2

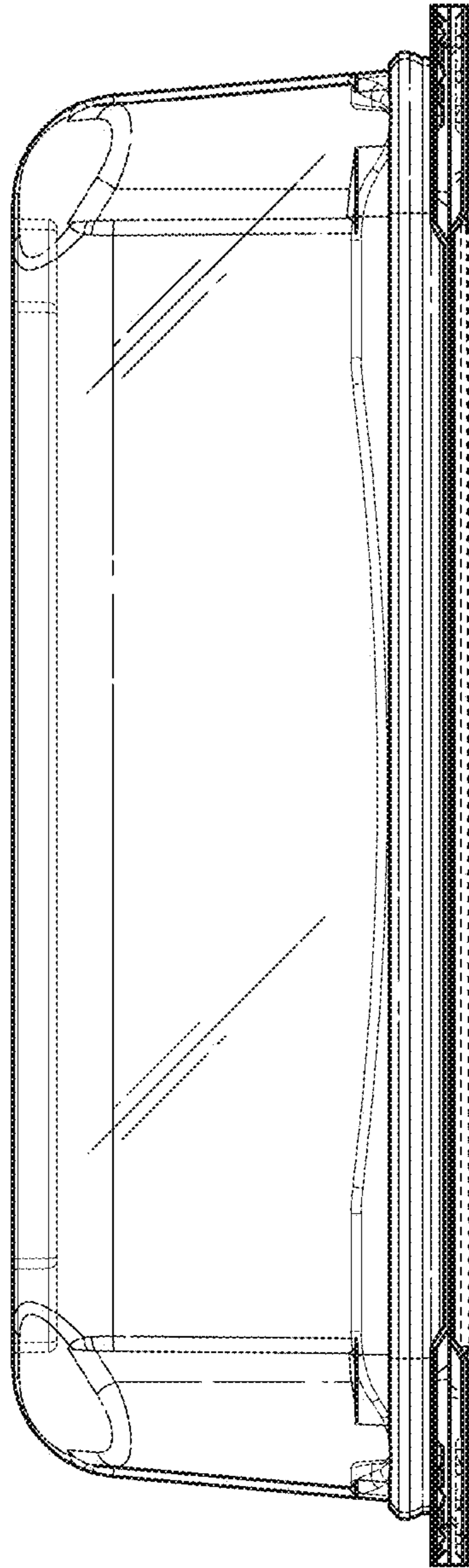


FIG. 3

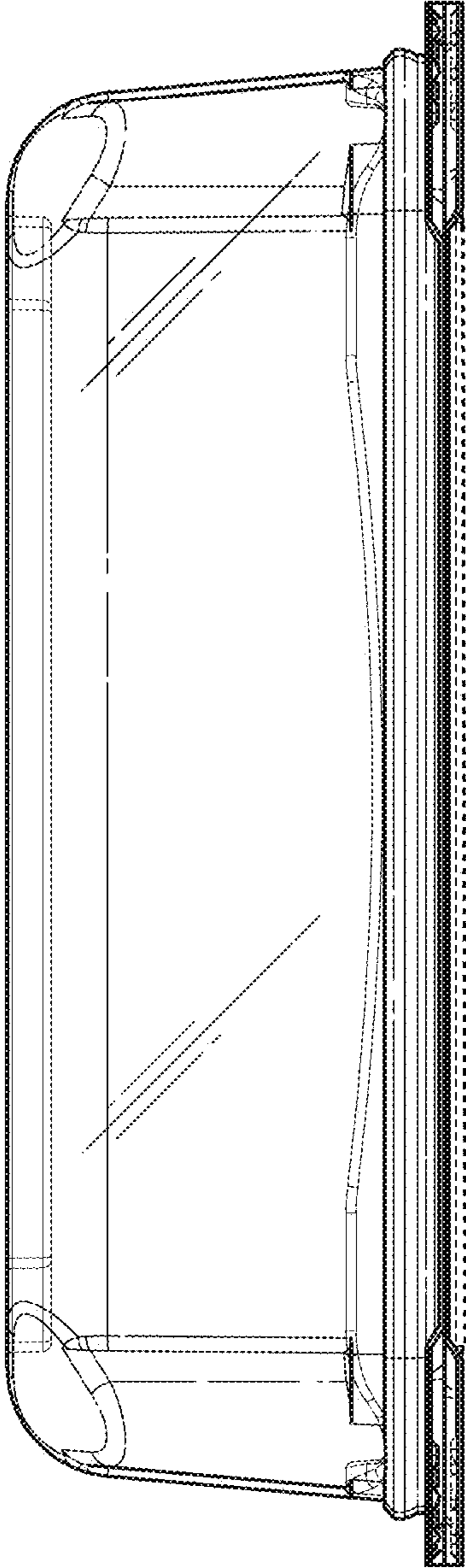


FIG. 4

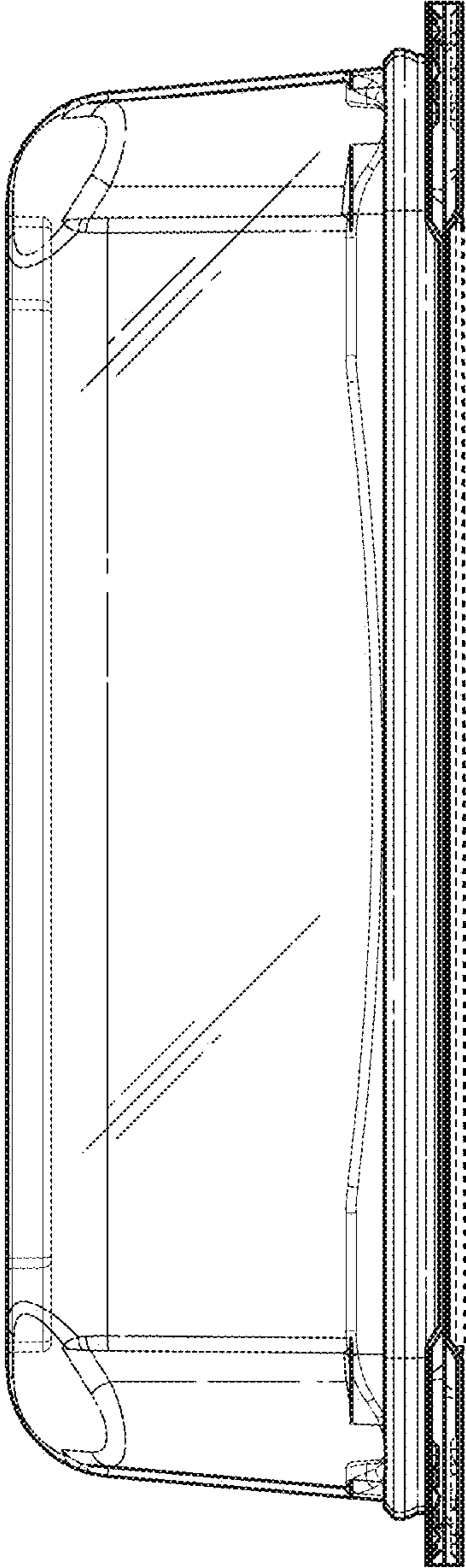


FIG. 5

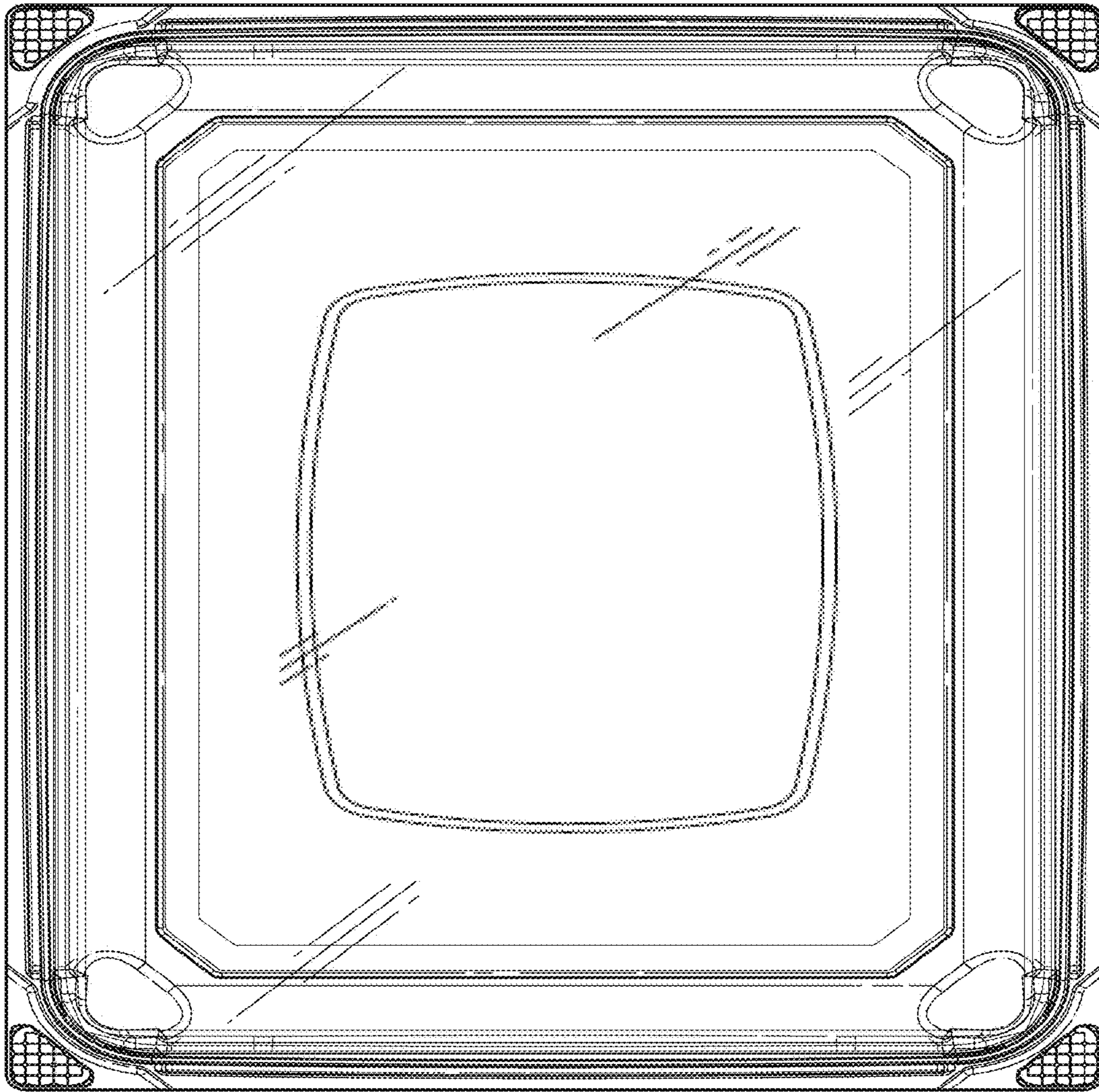


FIG. 6

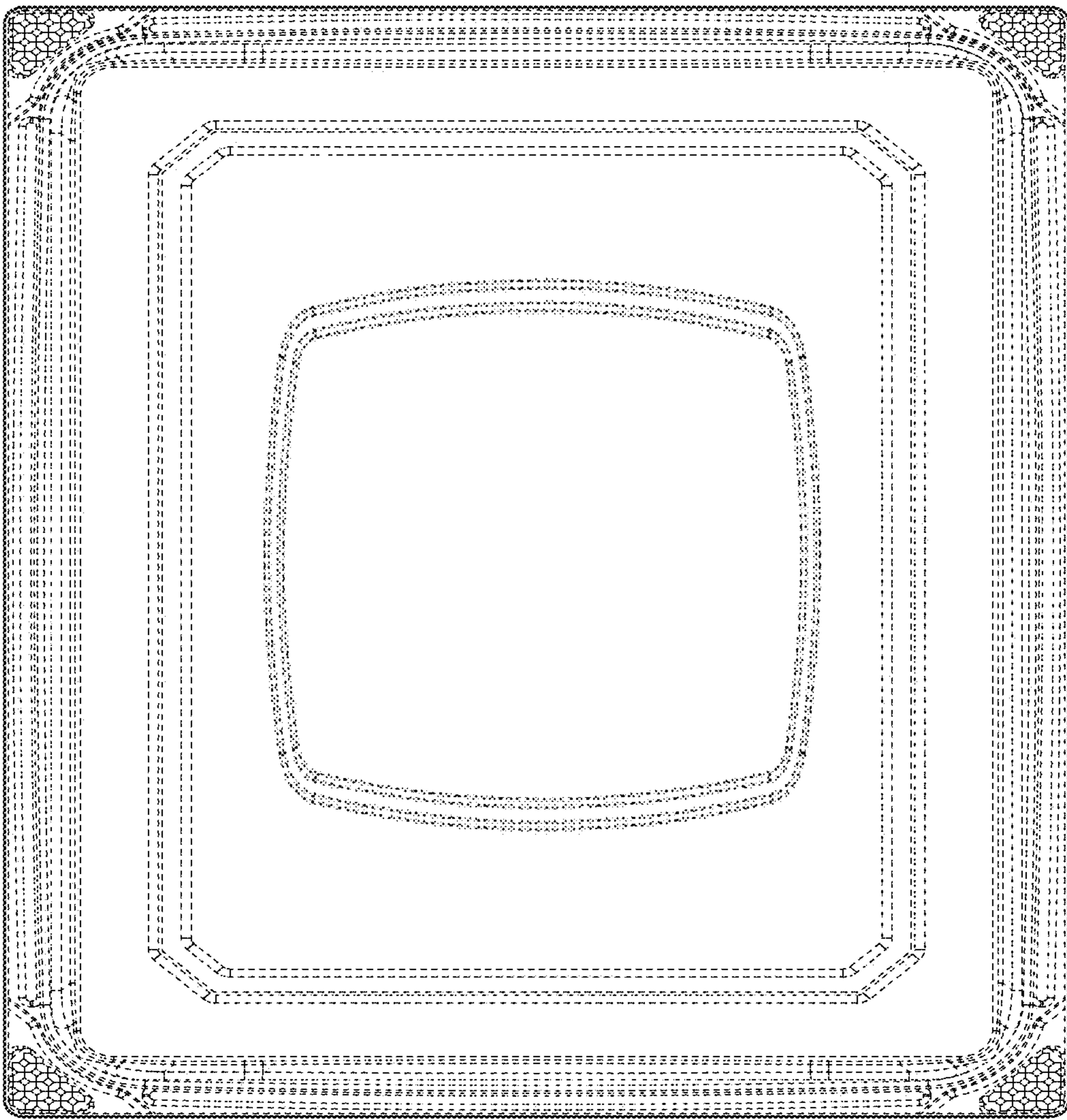


FIG. 7