



US00D886585S

(12) **United States Design Patent** (10) **Patent No.:** **US D886,585 S**
Wu (45) **Date of Patent:** **** Jun. 9, 2020**

(54) **SOUP CUP**
(71) Applicant: **Jingdong Wu**, Taishan (CN)
(72) Inventor: **Jingdong Wu**, Taishan (CN)
(**) Term: **15 Years**
(21) Appl. No.: **29/643,842**
(22) Filed: **Apr. 12, 2018**
(51) **LOC (12) Cl.** **09-03**
(52) **U.S. Cl.**
USPC **D9/425**
(58) **Field of Classification Search**
USPC D7/400, 601, 608; D9/416, 417, 420,
D9/425-429, 430, 432, 761; 206/499,
206/501, 502, 821; 220/625, 656, 669,
220/670, 674; 229/123.1, 123.2, 125.33,
229/125.35, 400-407, 915, 939
CPC . B65D 1/26; B65D 1/40; B65D 5/243; B65D
81/3453; B65D 2581/34; B65D
2581/3404; B65D 2581/3456
See application file for complete search history.

(56) **References Cited**

U.S. PATENT DOCUMENTS

D414,413 S *	9/1999	Brown	D9/425
D511,437 S *	11/2005	Brown	D7/566
D539,137 S *	3/2007	Lin	D9/429
D543,787 S *	6/2007	Wasserman	D7/565
D545,627 S *	7/2007	Chatterton	D7/538
D609,967 S *	2/2010	Helfant	D7/509
D673,849 S *	1/2013	Barbier	D9/429
D705,051 S *	5/2014	Cassens	D9/424
2010/0147848 A1 *	6/2010	Rider, Jr.	B65D 43/021 220/203.09

* cited by examiner

Primary Examiner — Janice Patyk

(74) *Attorney, Agent, or Firm* — Innovation Capital Law Group, LLP; Vic Lin

(57) **CLAIM**

The ornamental design for a soup cup, as shown and described.

DESCRIPTION

The ornamental design for a soup cup is shown in FIGS. 1 through 17.

FIG. 1 is a front elevation view of a soup cup, shown without a lid for ease of illustration, showing my new design;

FIG. 2 is a top plan view thereof, shown without a lid for ease of illustration;

FIG. 3 is a bottom plan view thereof, shown without a lid for ease of illustration;

FIG. 4 is a top perspective view thereof, shown without a lid for ease of illustration;

FIG. 5 is a bottom perspective view thereof, shown without a lid for ease of illustration;

FIG. 6 is a cross-section view thereof, taken along line 6-6 of FIG. 2, shown without a lid for ease of illustration.

FIG. 7 is a front elevation view thereof;

FIG. 8 is a top plan view thereof;

FIG. 9 is a bottom plan view thereof;

FIG. 10 is a top perspective view thereof;

FIG. 11 is a bottom perspective view thereof;

FIG. 12 is a cross-section view thereof, taken along line 12-12 of FIG. 8;

FIG. 13 is a partially enlarged cross-section view thereof, taken from FIG. 12;

FIG. 14 is an exploded front elevation view thereof;

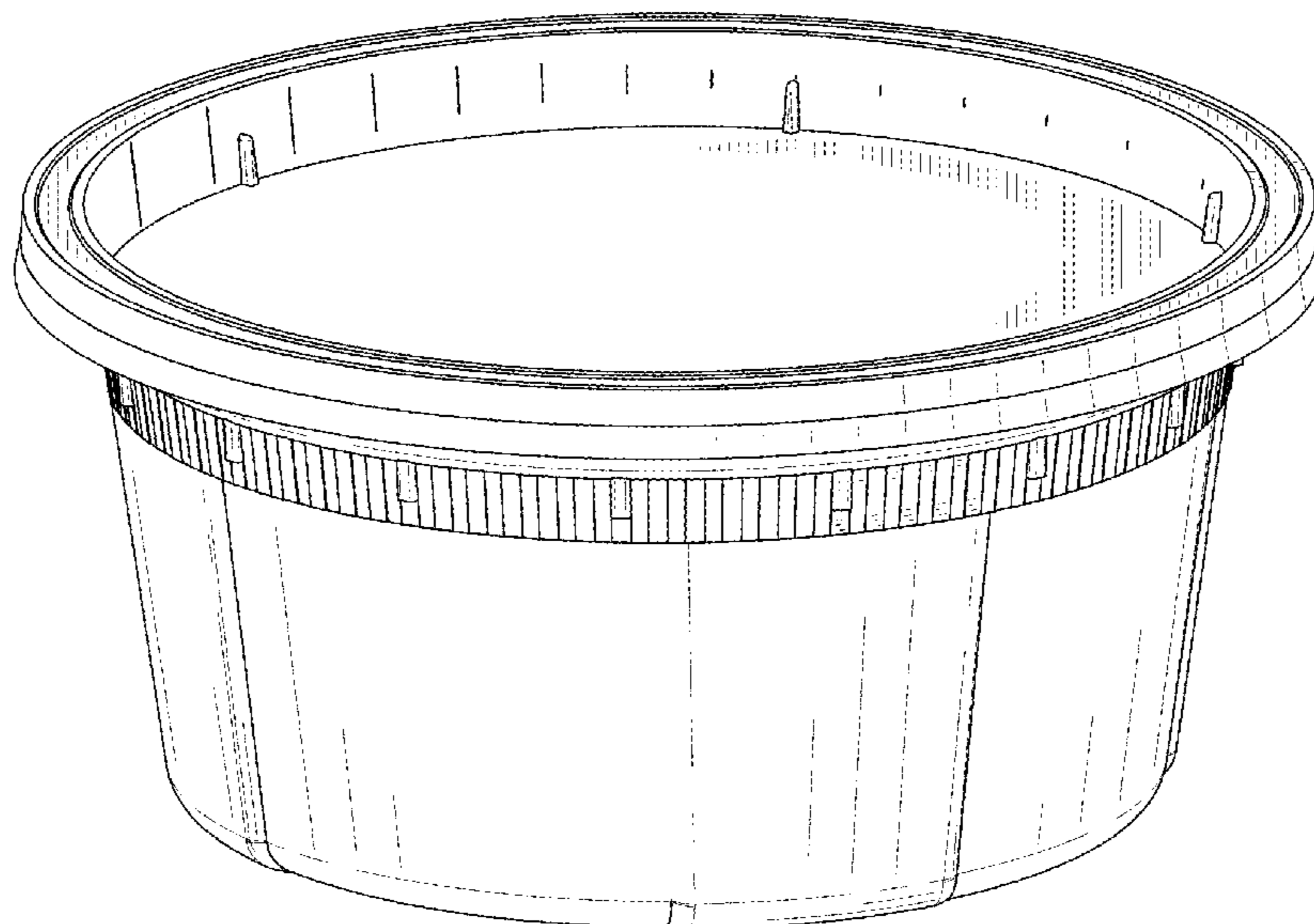
FIG. 15 is an exploded top perspective view thereof;

FIG. 16 is an exploded bottom perspective view thereof; and,

FIG. 17 is an exploded cross-section view thereof, taken along line 17-17 of FIG. 9.

The broken lines of FIG. 12 and FIG. 13 are included to show partially enlarged views only and form no part of the claimed design.

1 Claim, 17 Drawing Sheets



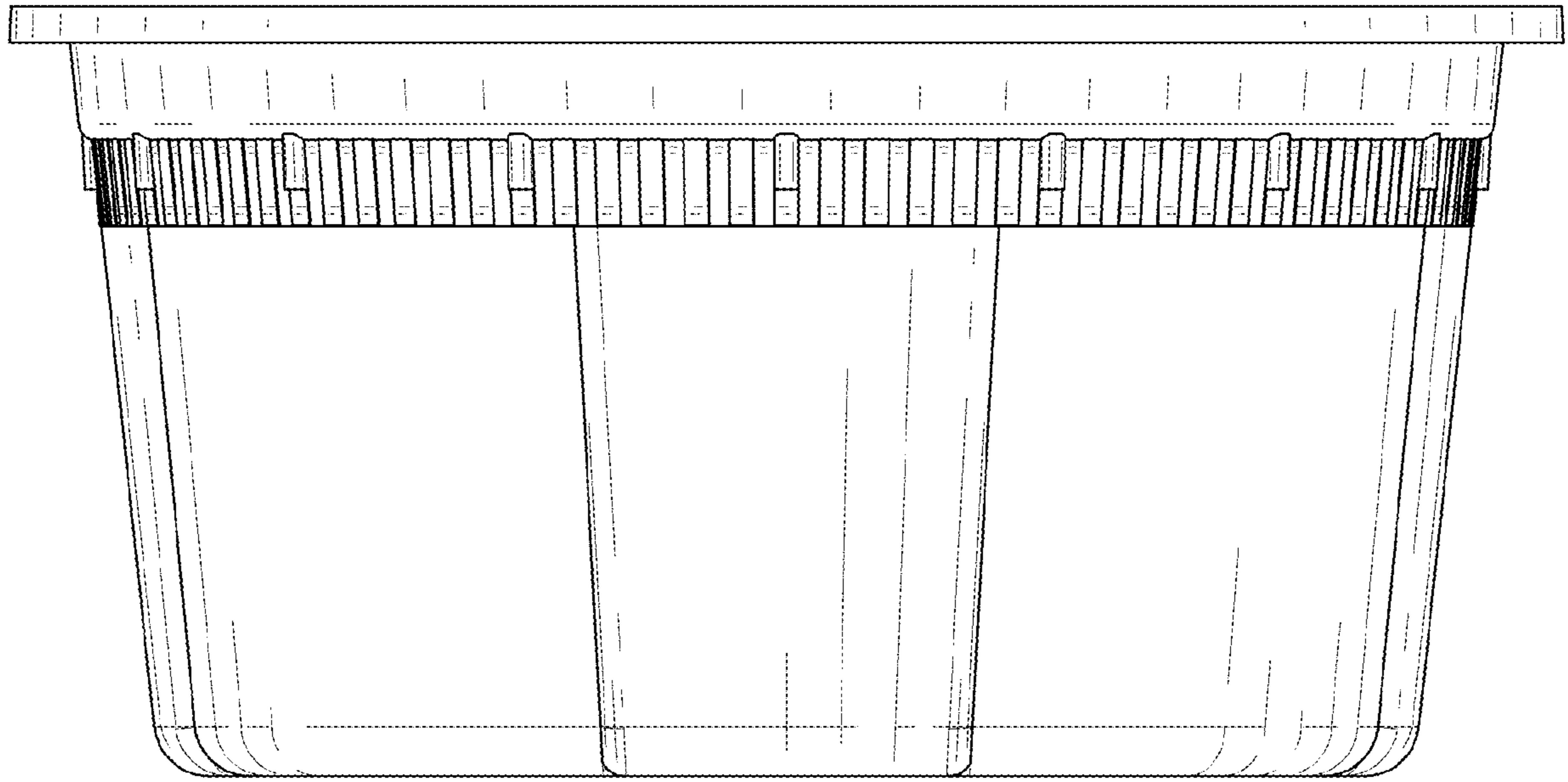


FIG. 1

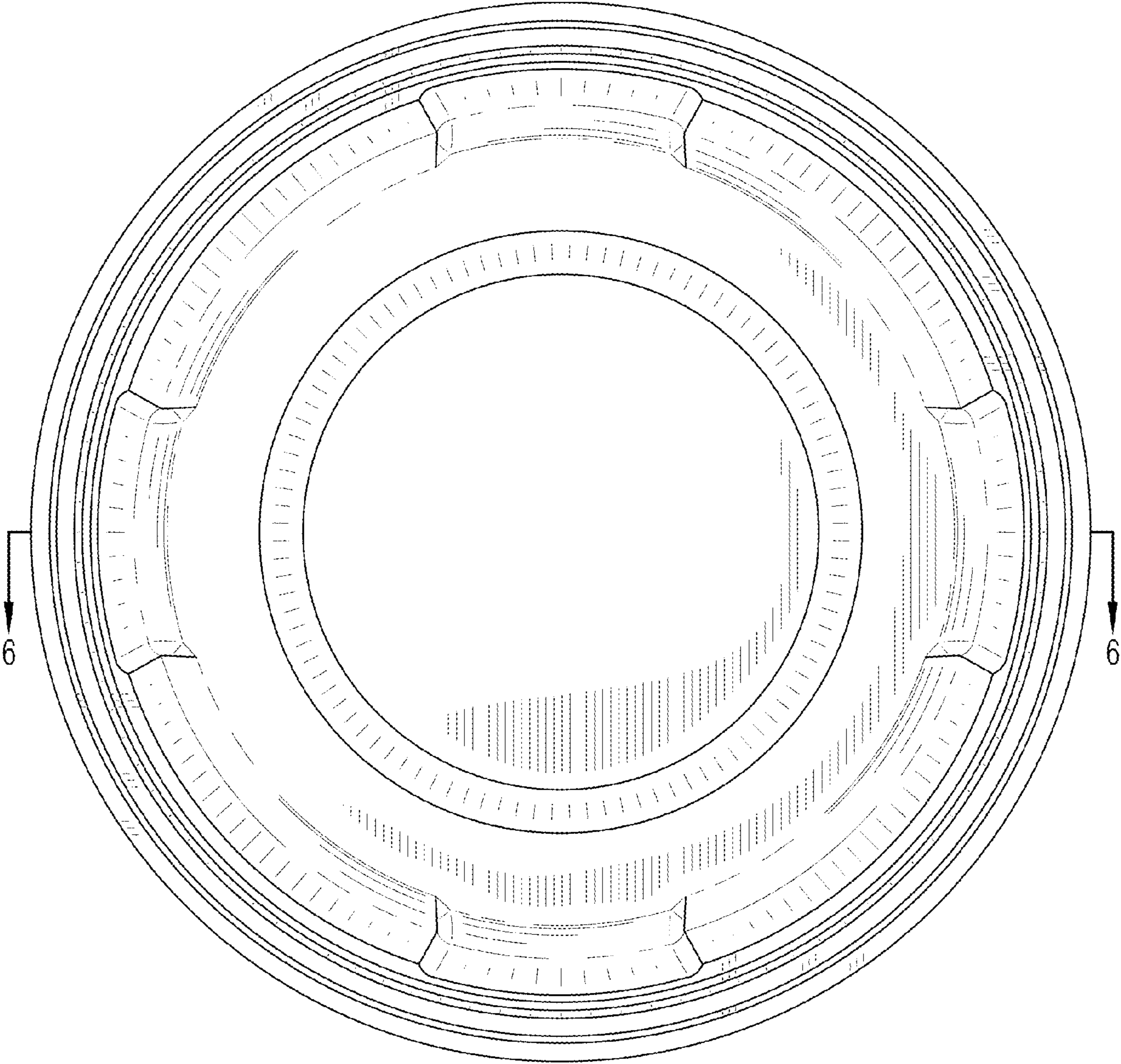


FIG. 2

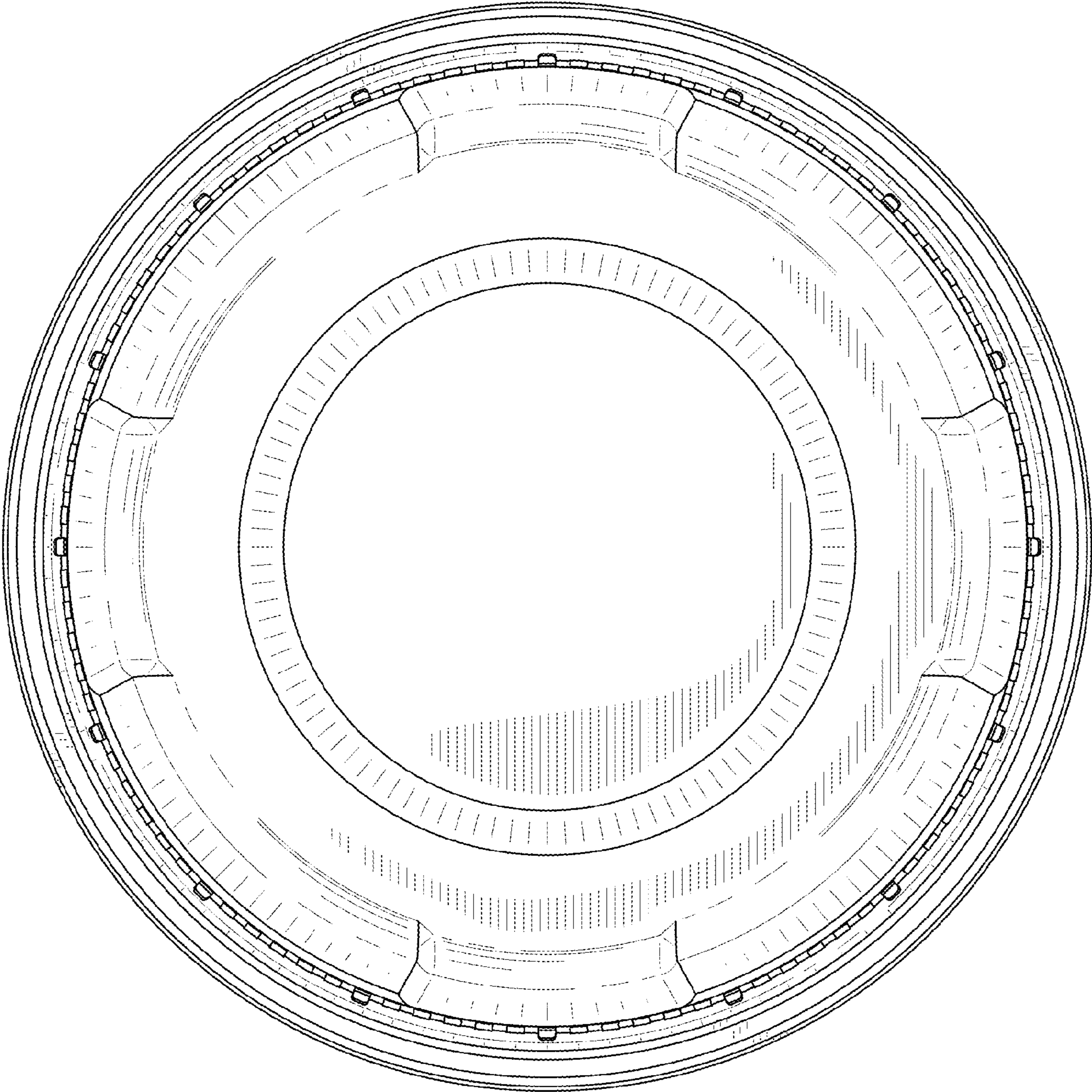


FIG. 3

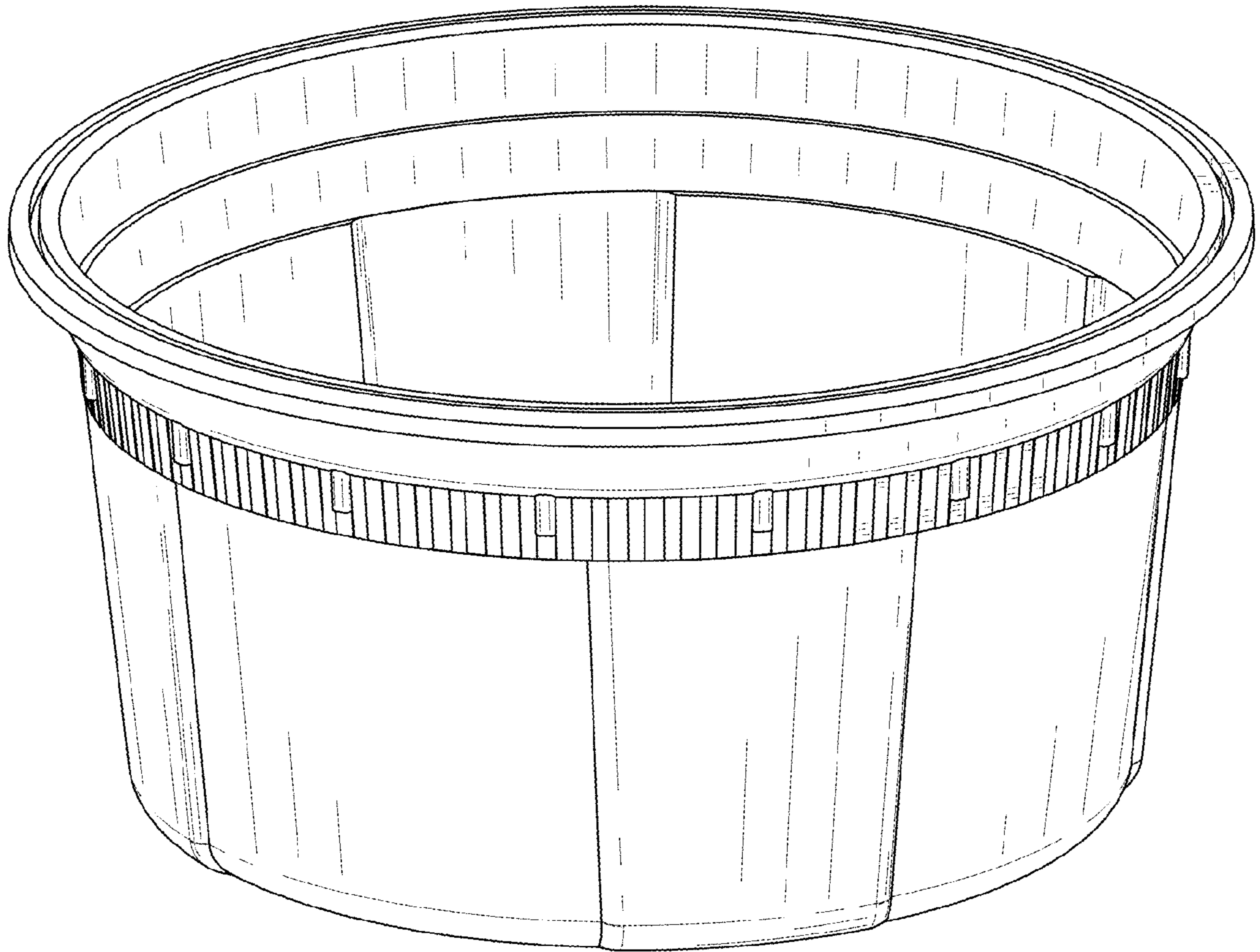


FIG. 4

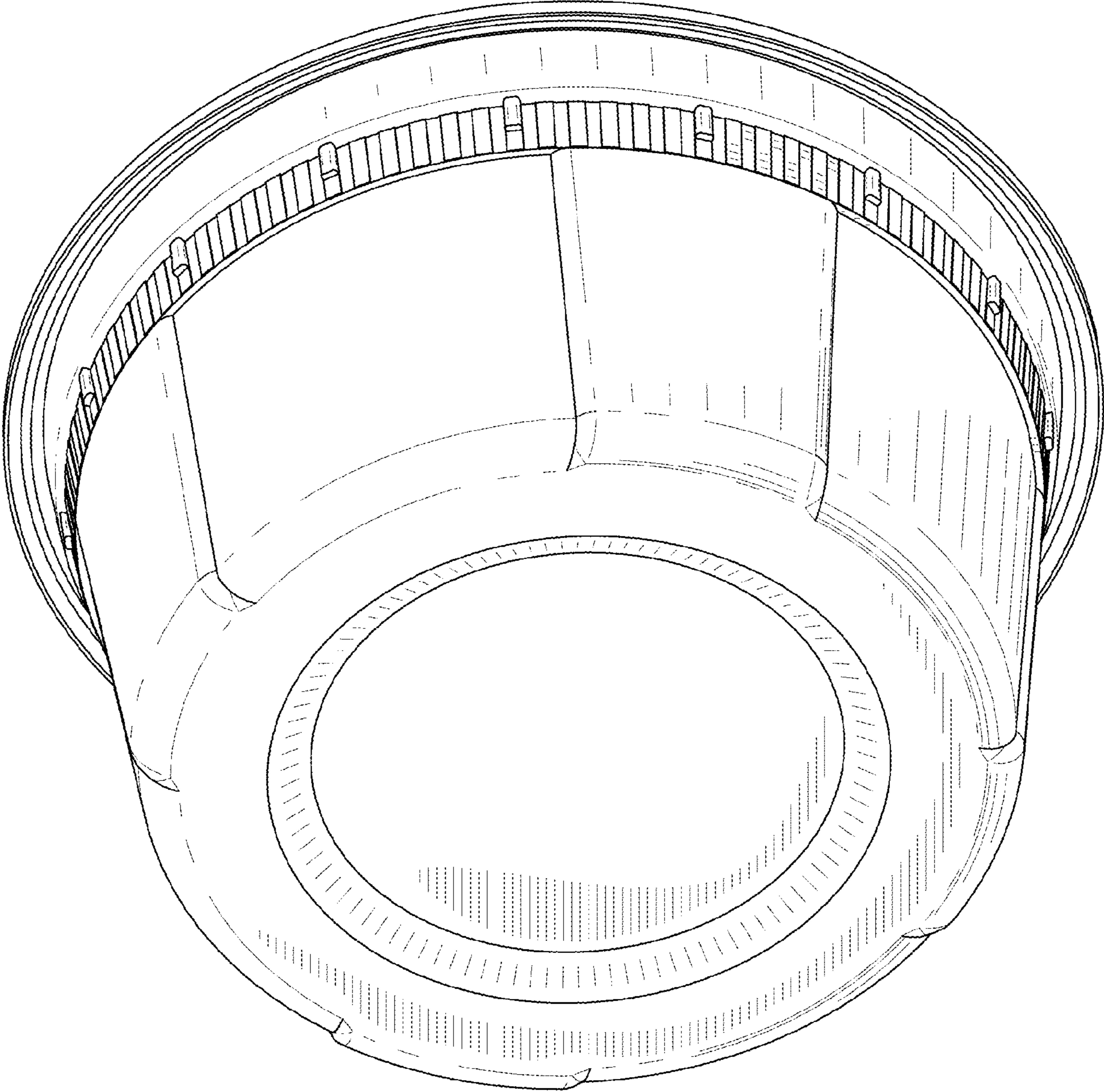


FIG. 5

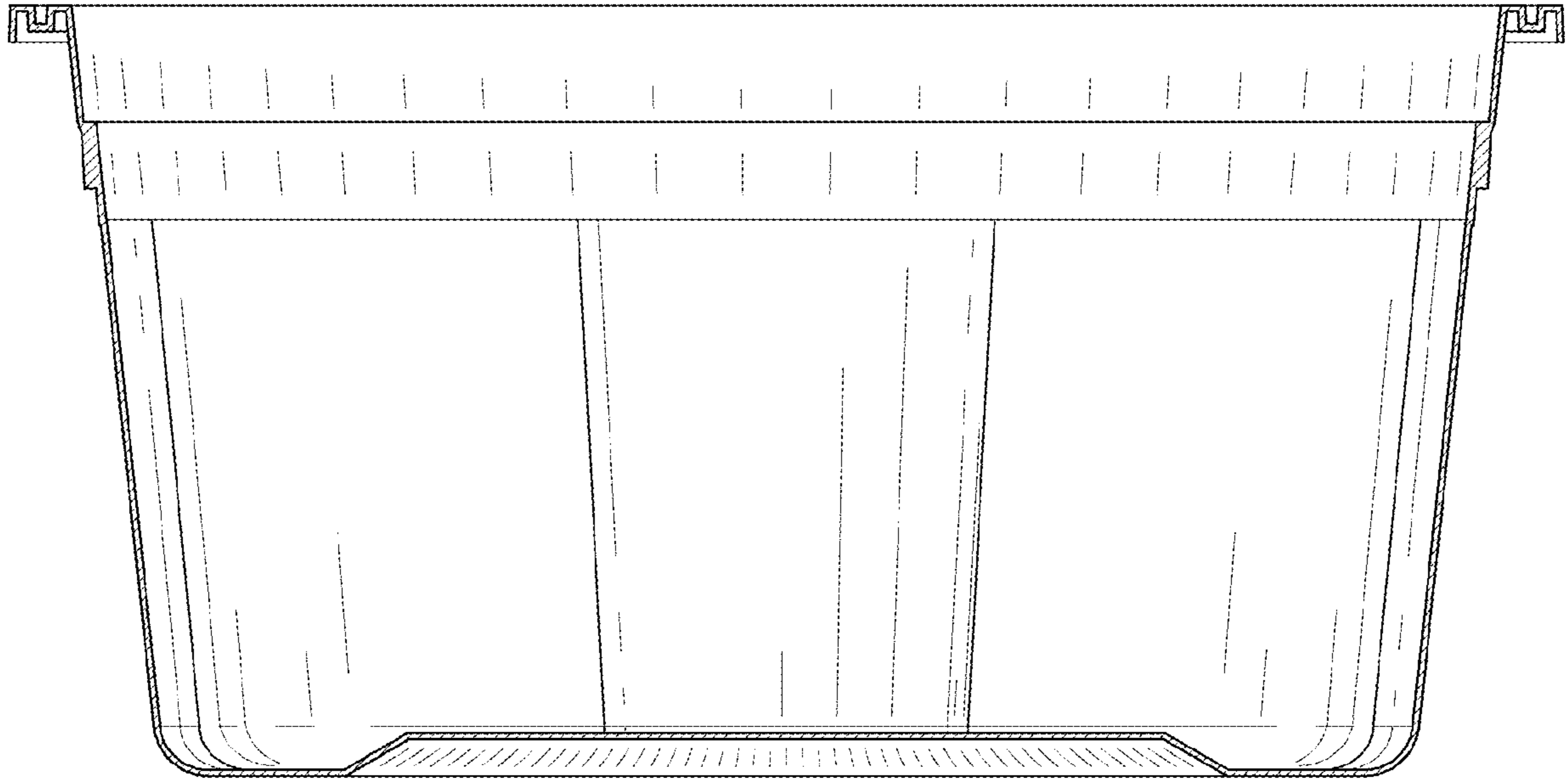


FIG. 6

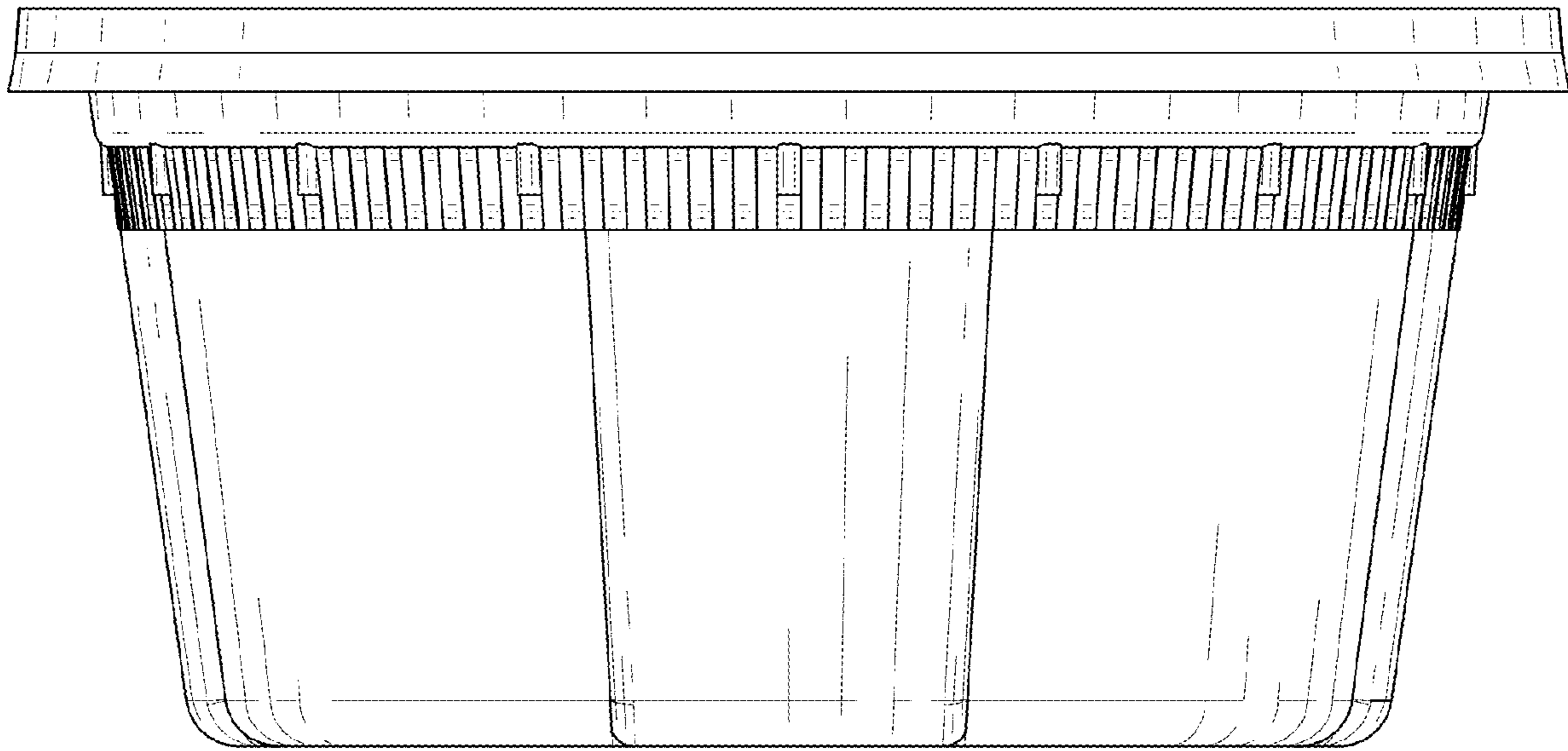


FIG. 7

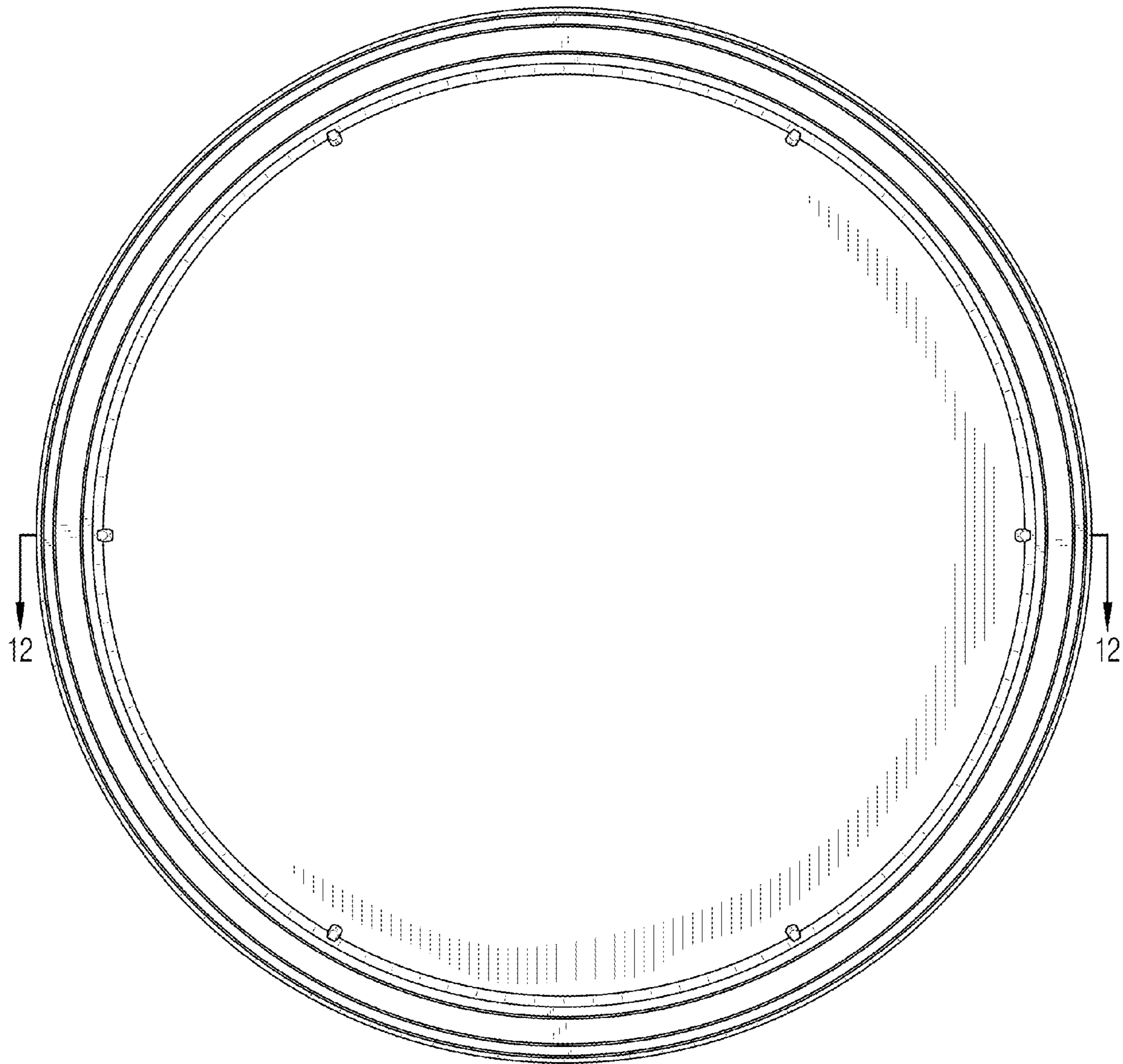


FIG. 8

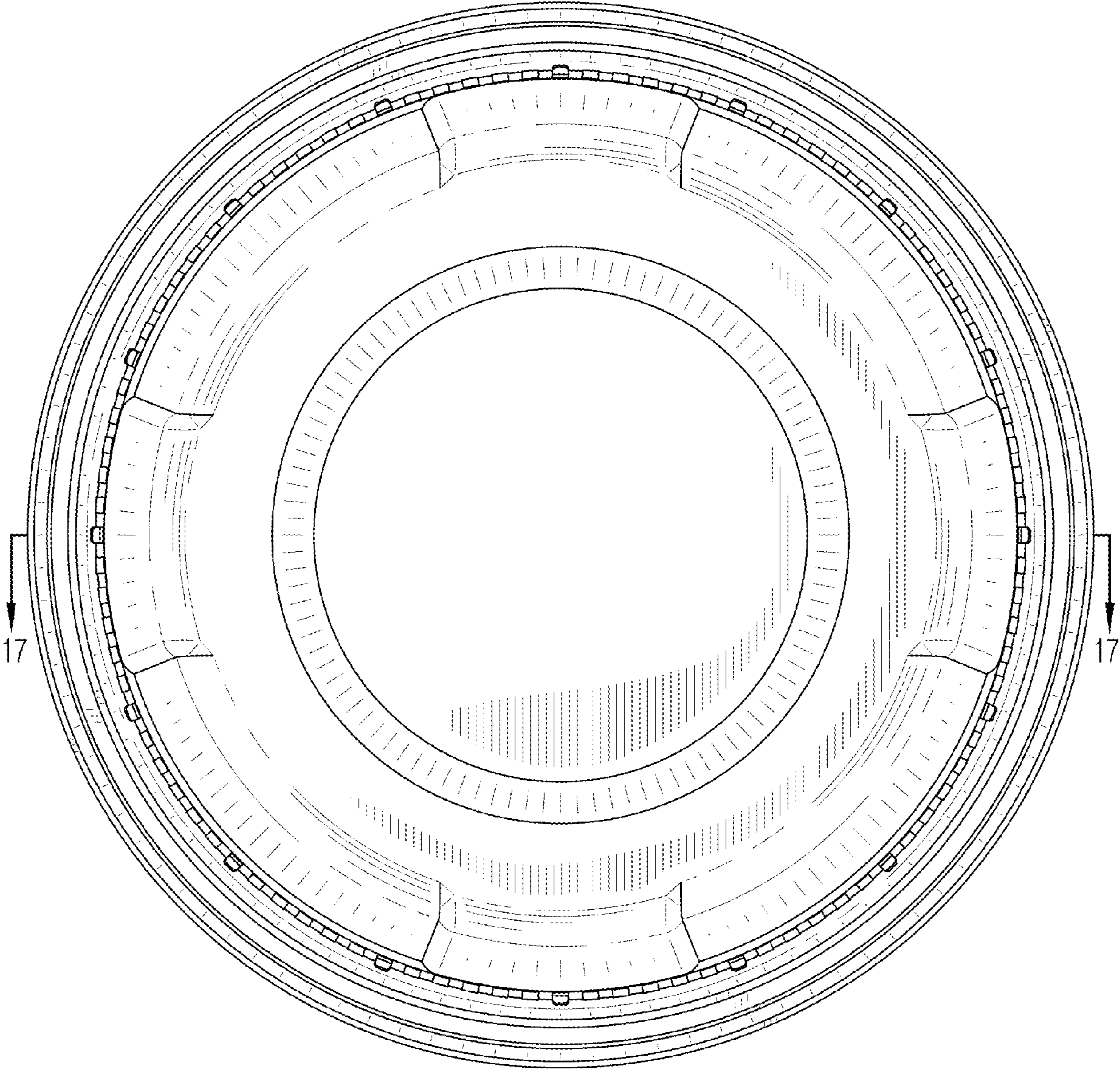


FIG. 9

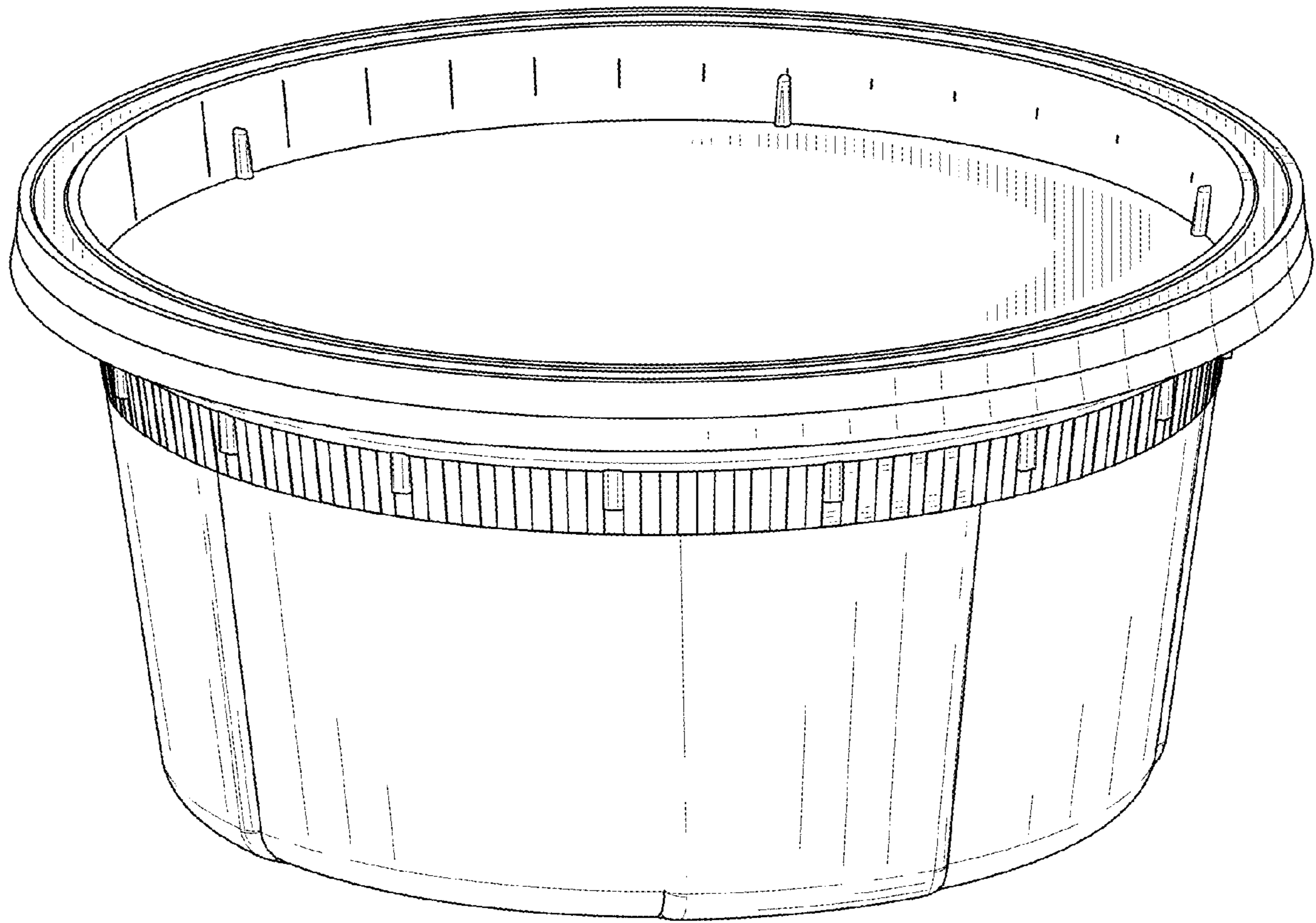


FIG. 10

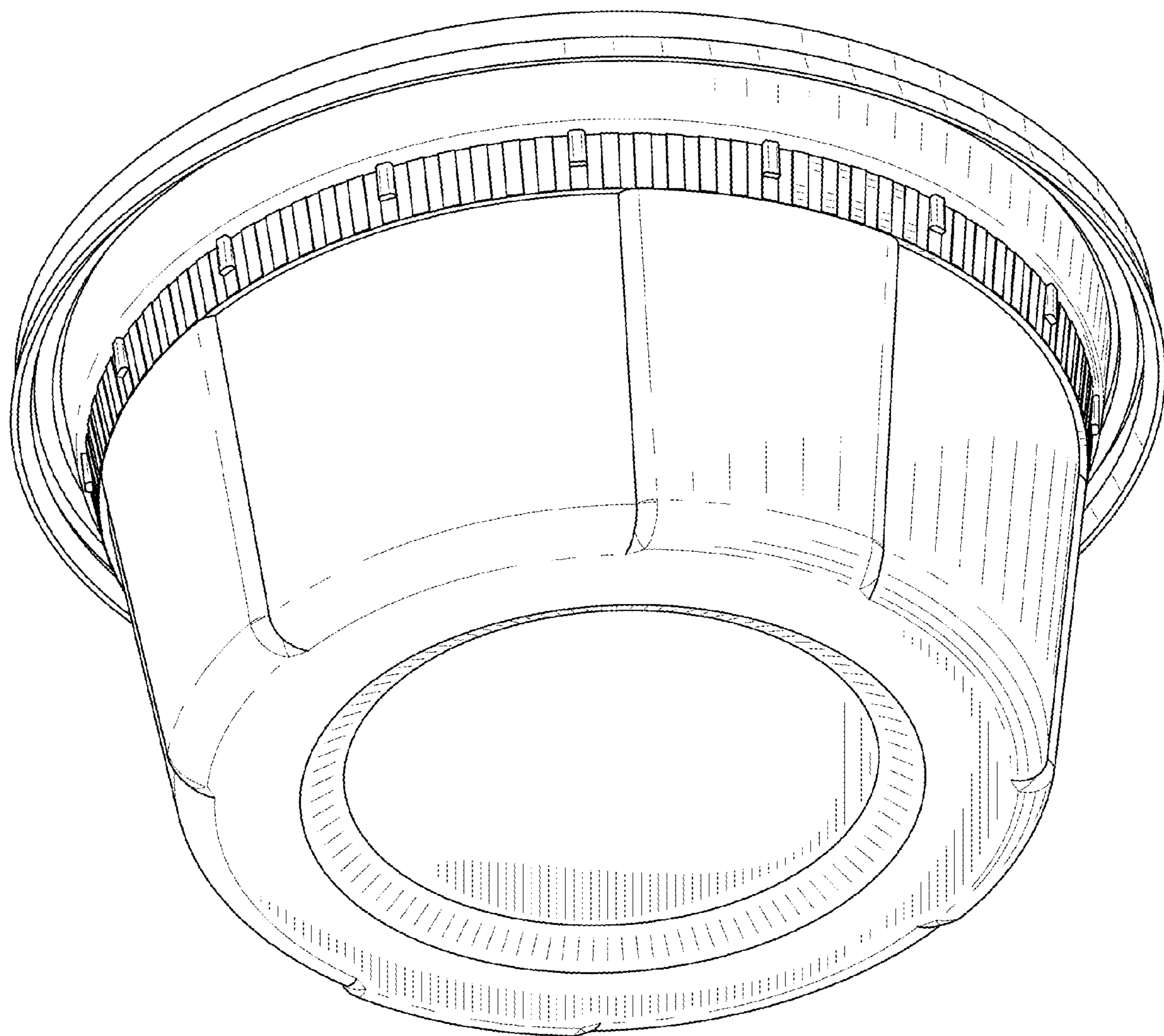


FIG. 11

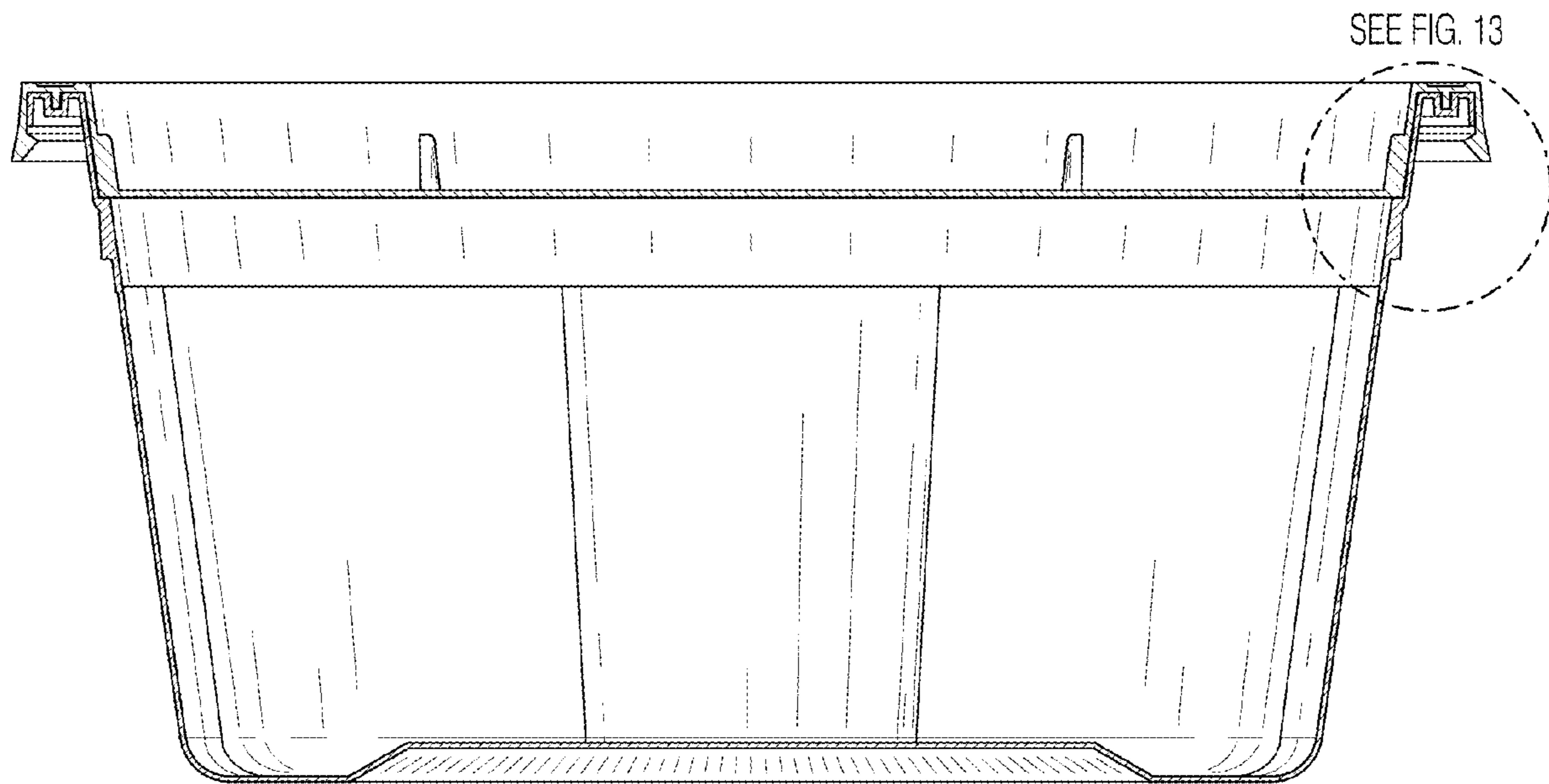


FIG. 12

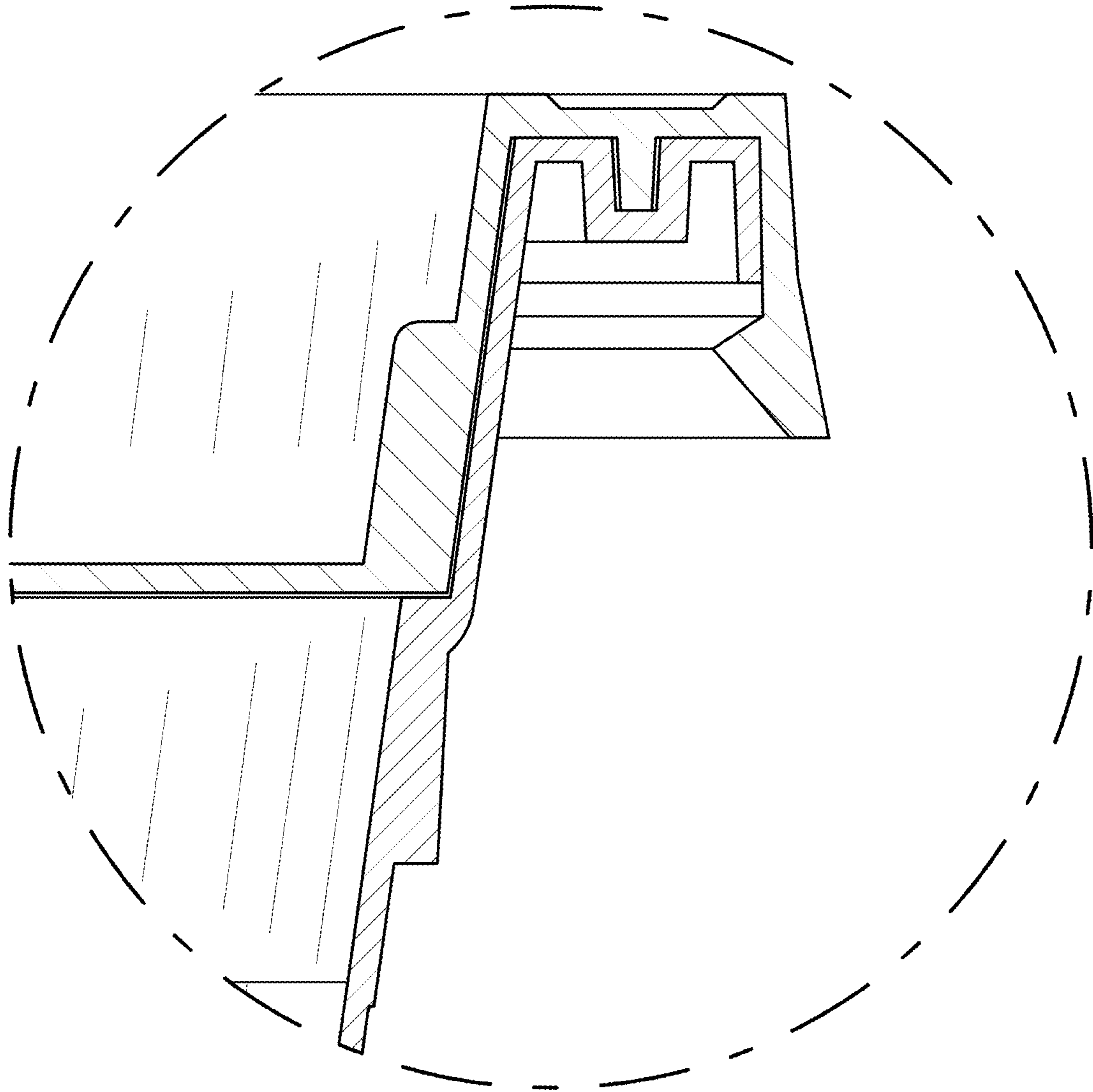


FIG. 13

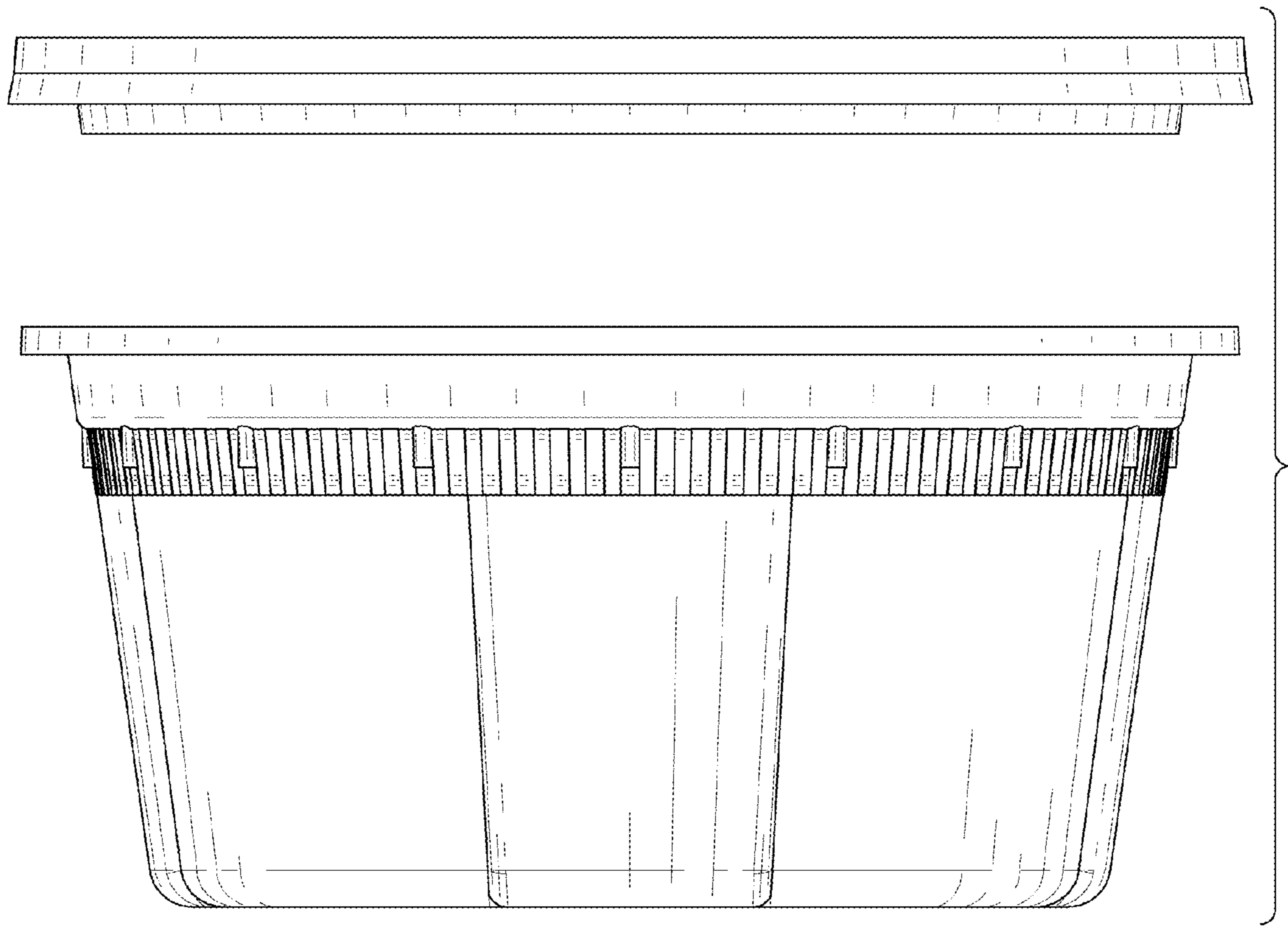


FIG. 14

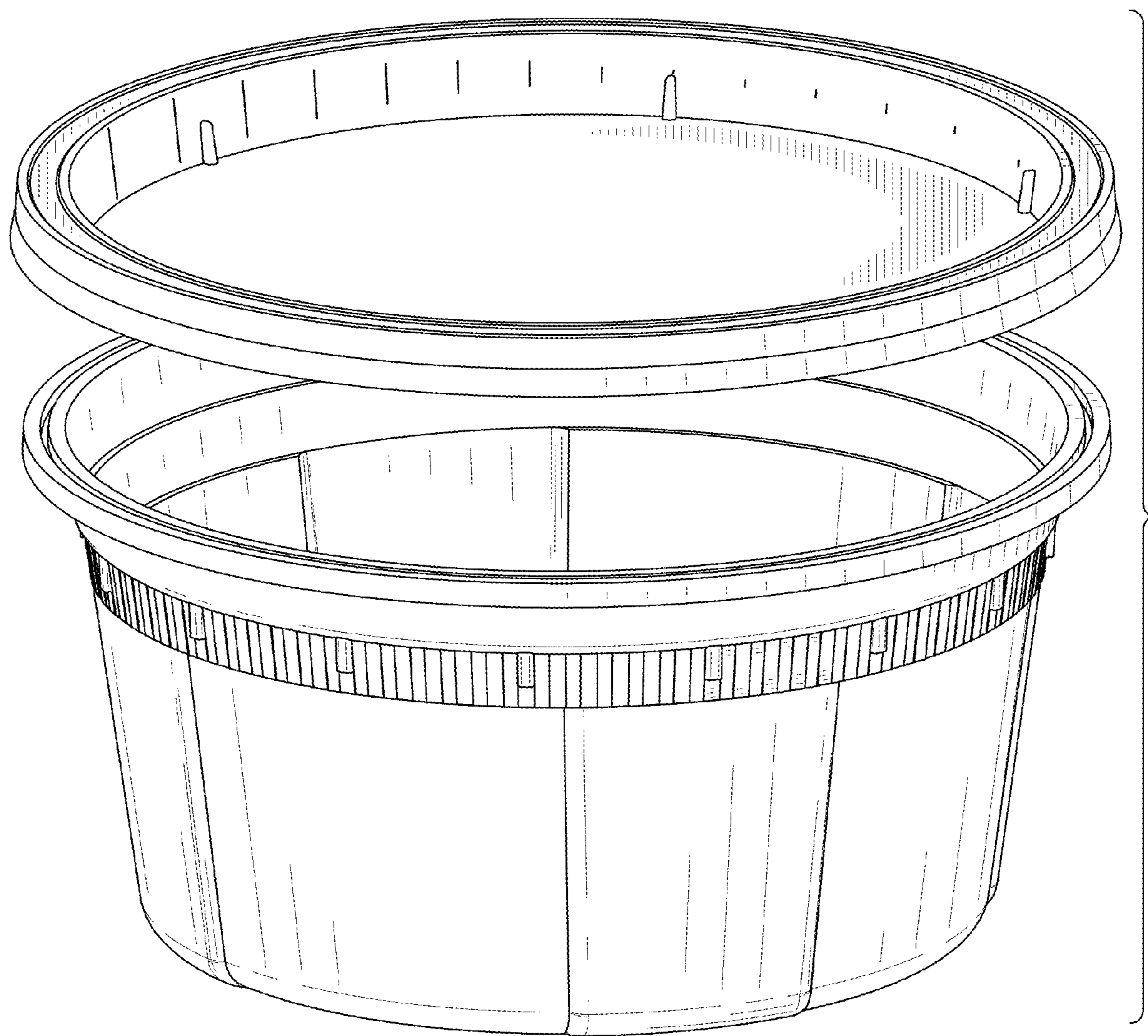


FIG. 15

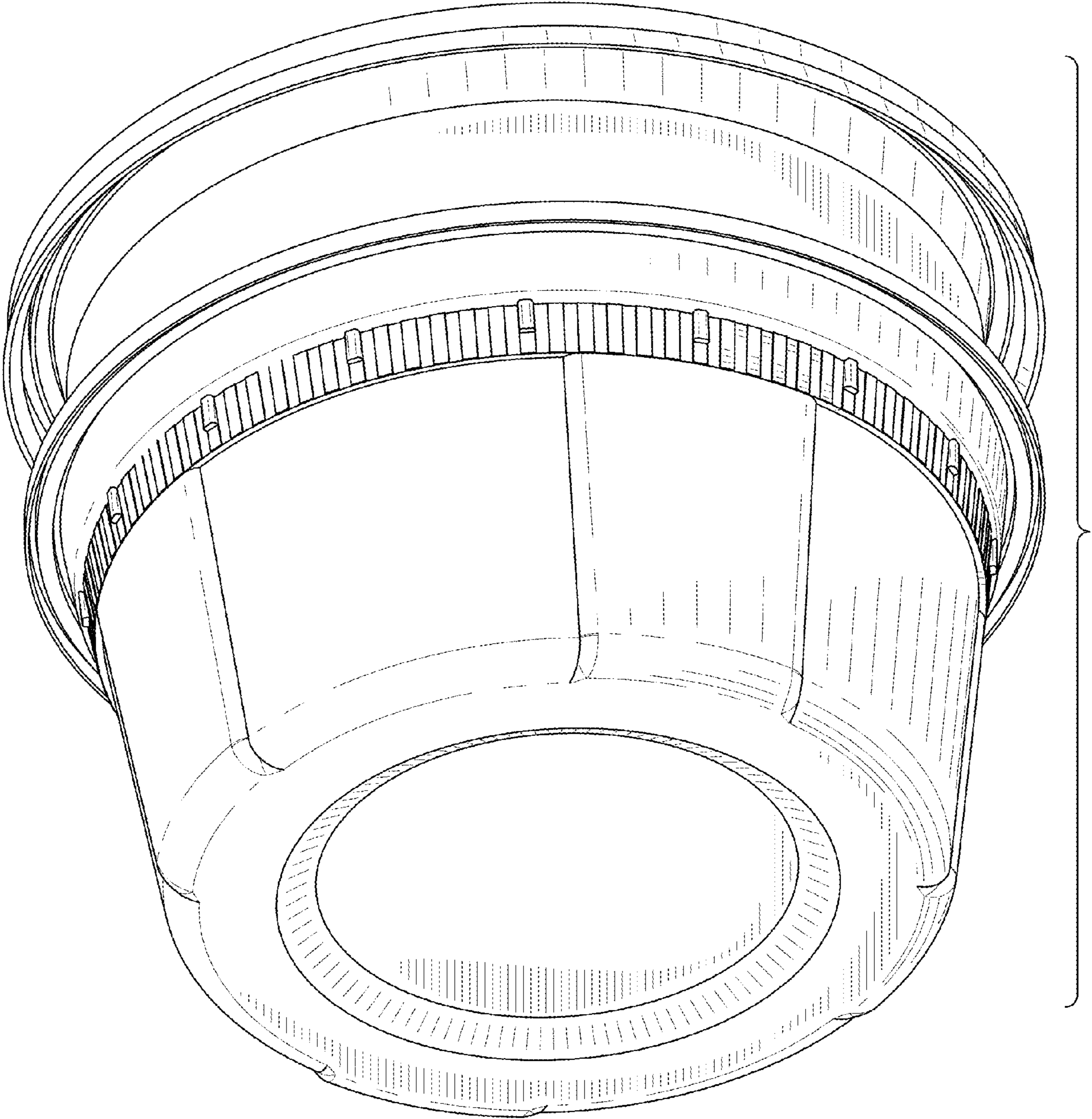


FIG. 16

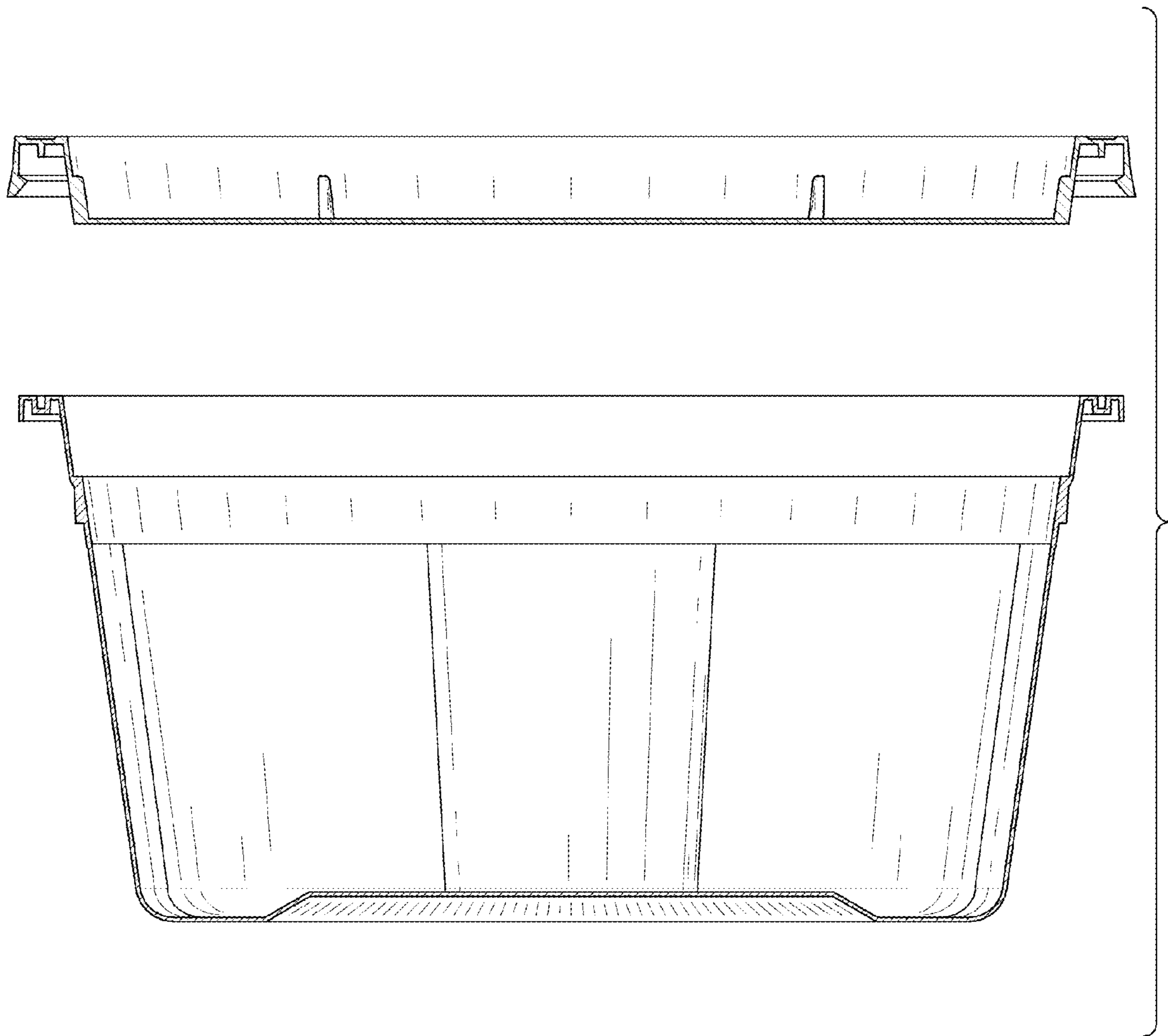


FIG. 17