



US00D886584S

(12) **United States Design Patent**
Wu

(10) **Patent No.:** **US D886,584 S**
(45) **Date of Patent:** **** Jun. 9, 2020**

(54) **FOOD CONTAINER**

(71) Applicant: **Jingdong Wu**, Taishan (CN)

(72) Inventor: **Jingdong Wu**, Taishan (CN)

(**) Term: **15 Years**

(21) Appl. No.: **29/641,552**

(22) Filed: **Mar. 22, 2018**

(51) **LOC (12) Cl.** **09-03**

(52) **U.S. Cl.**
USPC **D9/425**

(58) **Field of Classification Search**
USPC D7/400, 601, 608; D9/416, 417, 420,
D9/425-429, 430, 432, 761; 206/499,
206/501, 502, 821; 220/625, 656, 669,
220/670, 674; 229/123.1, 123.2, 125.33,
229/125.35, 400-407, 915, 939
CPC . B65D 1/26; B65D 1/40; B65D 5/243; B65D
81/3453; B65D 2581/34; B65D
2581/3404; B65D 2581/3456

See application file for complete search history.

(56) **References Cited**

U.S. PATENT DOCUMENTS

D407,015 S	*	3/1999	Jones	D9/425
D546,632 S	*	7/2007	Oberloier	D7/629
D592,500 S	*	5/2009	Colacitti	D7/354
D614,023 S	*	4/2010	Amos	D9/416
D625,180 S	*	10/2010	Enriquez	D9/425

D769,113 S	*	10/2016	Chen	D9/425
2007/0289963 A1	*	12/2007	Wu	B65D 21/0233 220/4.21
2010/0065461 A1	*	3/2010	Chhay	B65D 21/0222 206/505

* cited by examiner

Primary Examiner — Janice Patyk

(74) *Attorney, Agent, or Firm* — Innovation Capital Law Group, LLP; Vic Lin

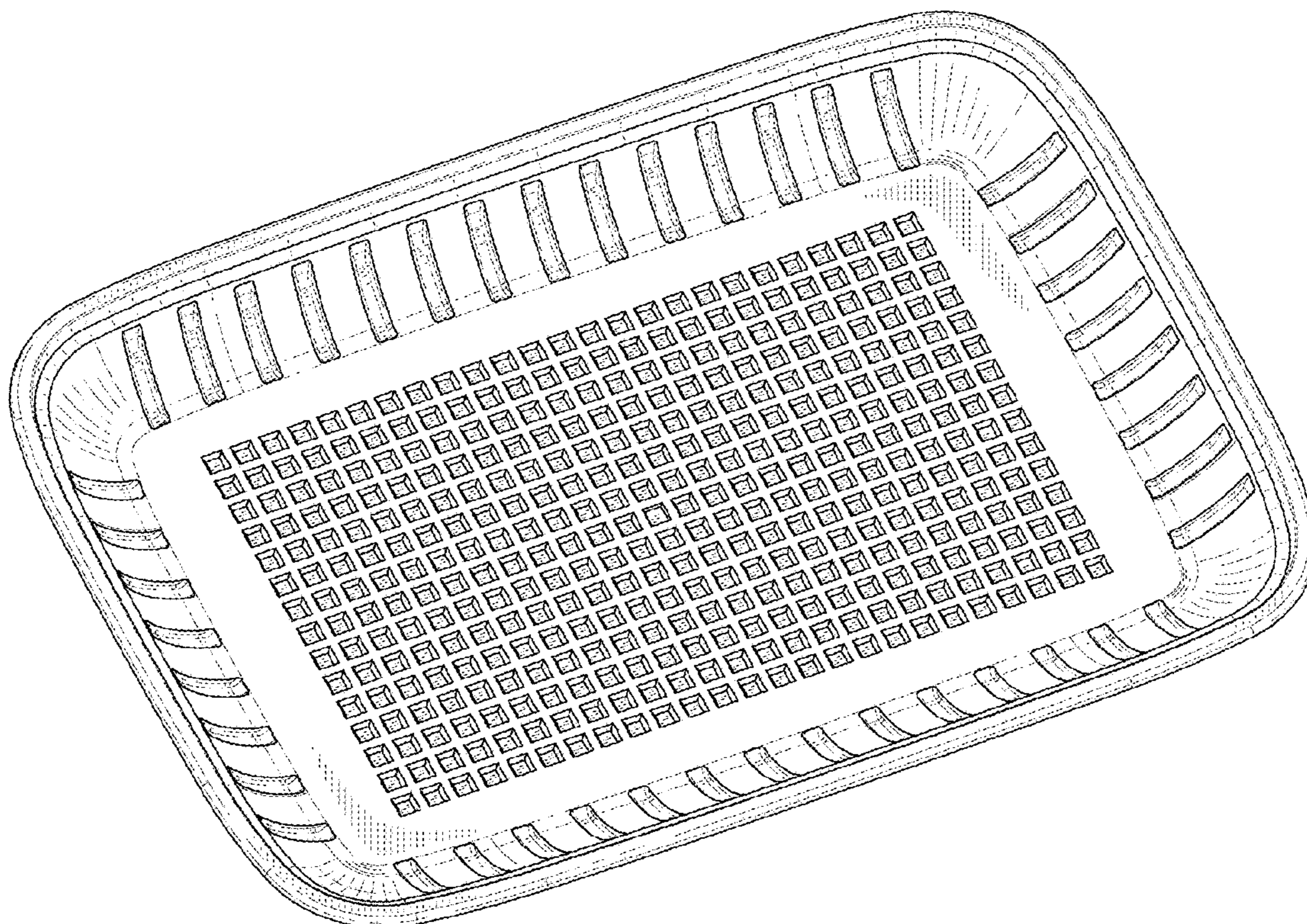
(57) **CLAIM**

The ornamental design for a food container, as shown and described.

DESCRIPTION

FIG. 1 is a front elevation view of a food container, showing my new design;
FIG. 2 is a rear elevation view thereof;
FIG. 3 is a right side elevation view thereof;
FIG. 4 is a left side elevation view thereof;
FIG. 5 is a top plan view thereof;
FIG. 6 is a bottom plan view thereof;
FIG. 7 is a top perspective view thereof;
FIG. 8 is a bottom perspective view thereof;
FIG. 9 is a front elevation cross-section view thereof, taken along line 9-9 of FIG. 5; and,
FIG. 10 is a right side elevation cross-section view thereof, taken along line 10-10 of FIG. 5.

1 Claim, 10 Drawing Sheets



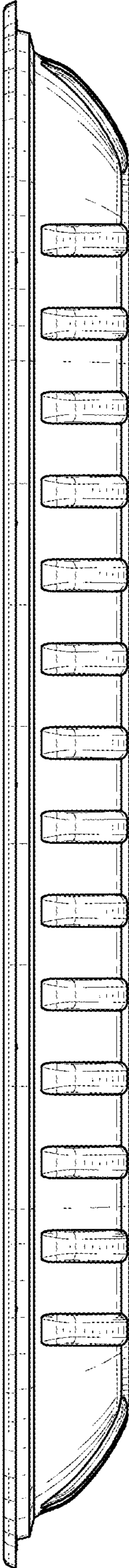


FIG. 1

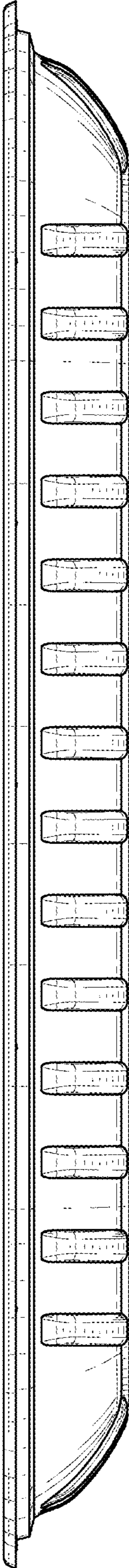


FIG. 2

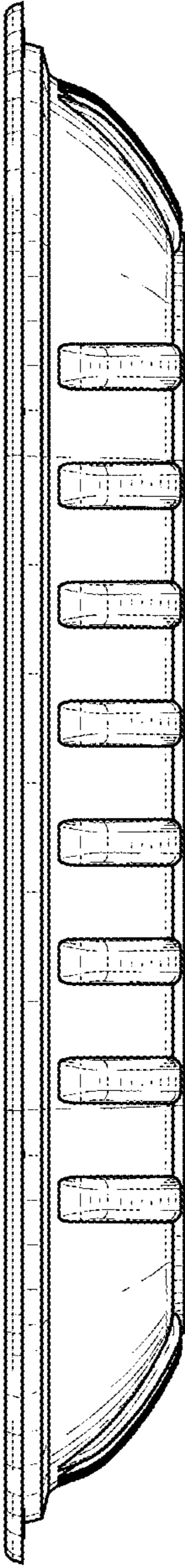


FIG. 3

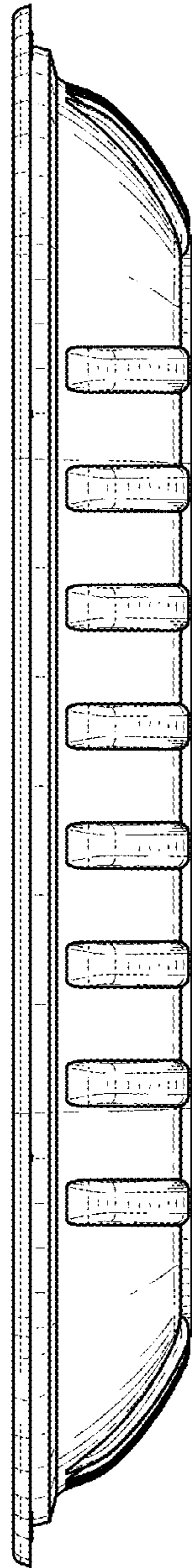


FIG. 4

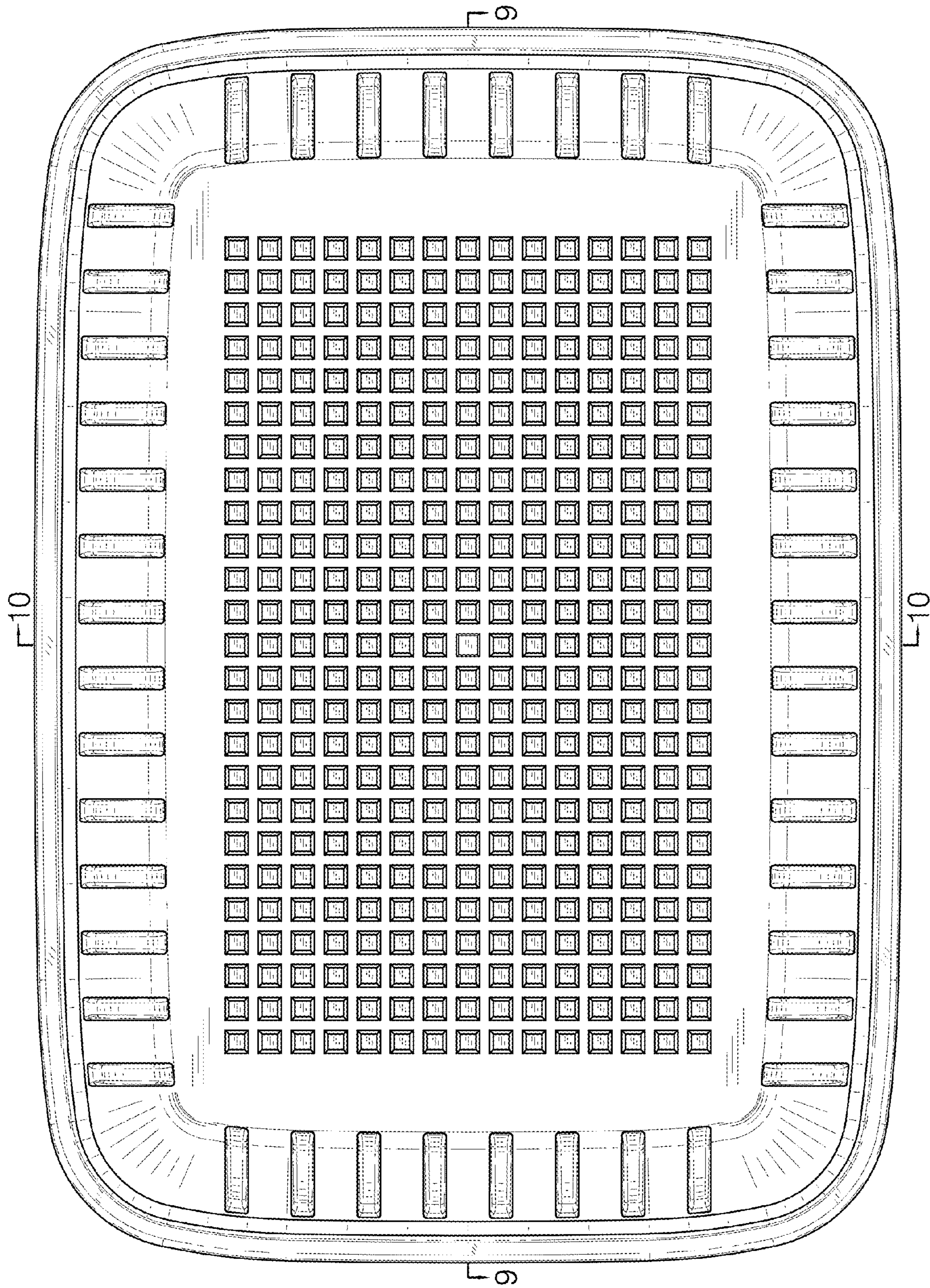


FIG. 5

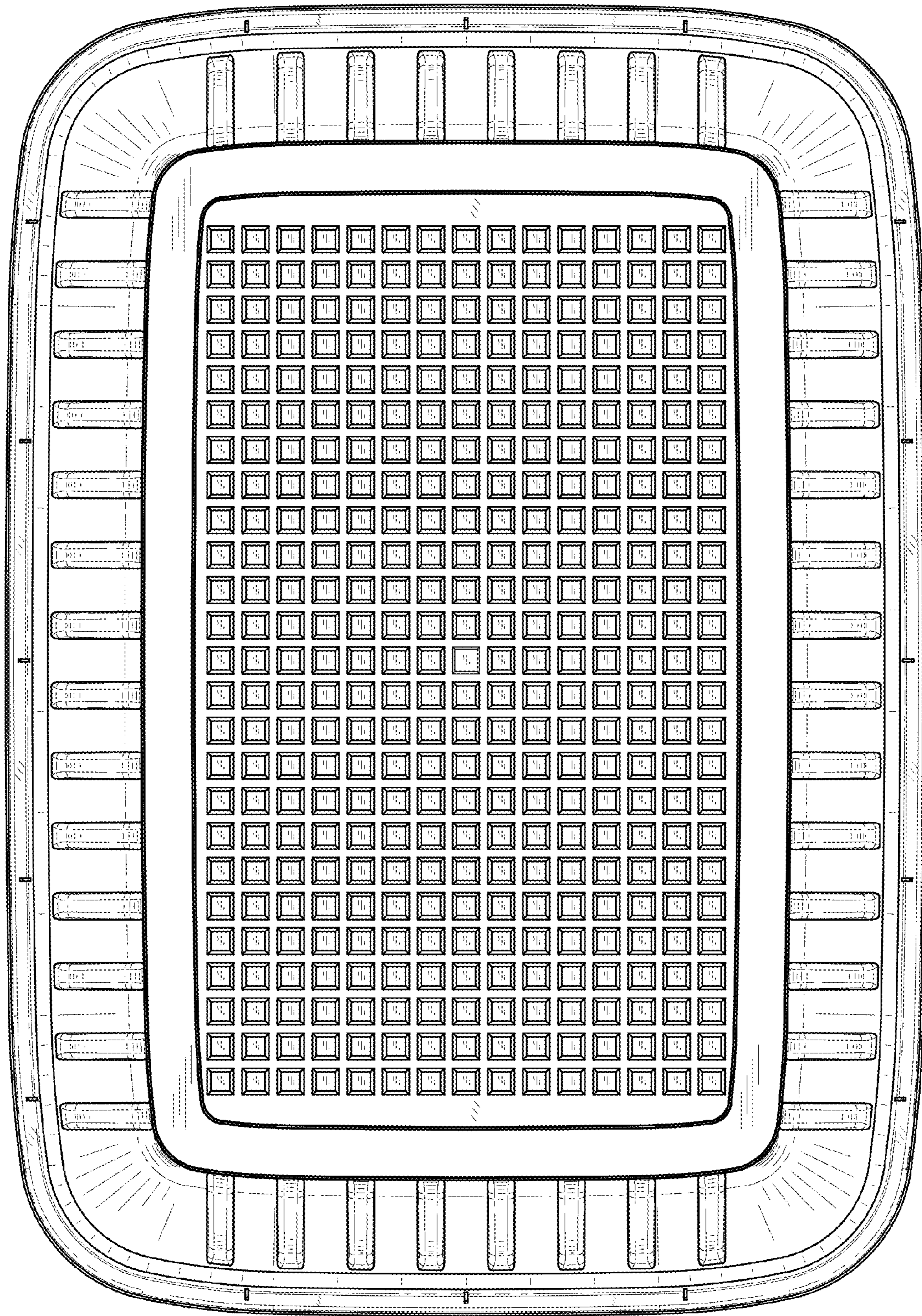


FIG. 6

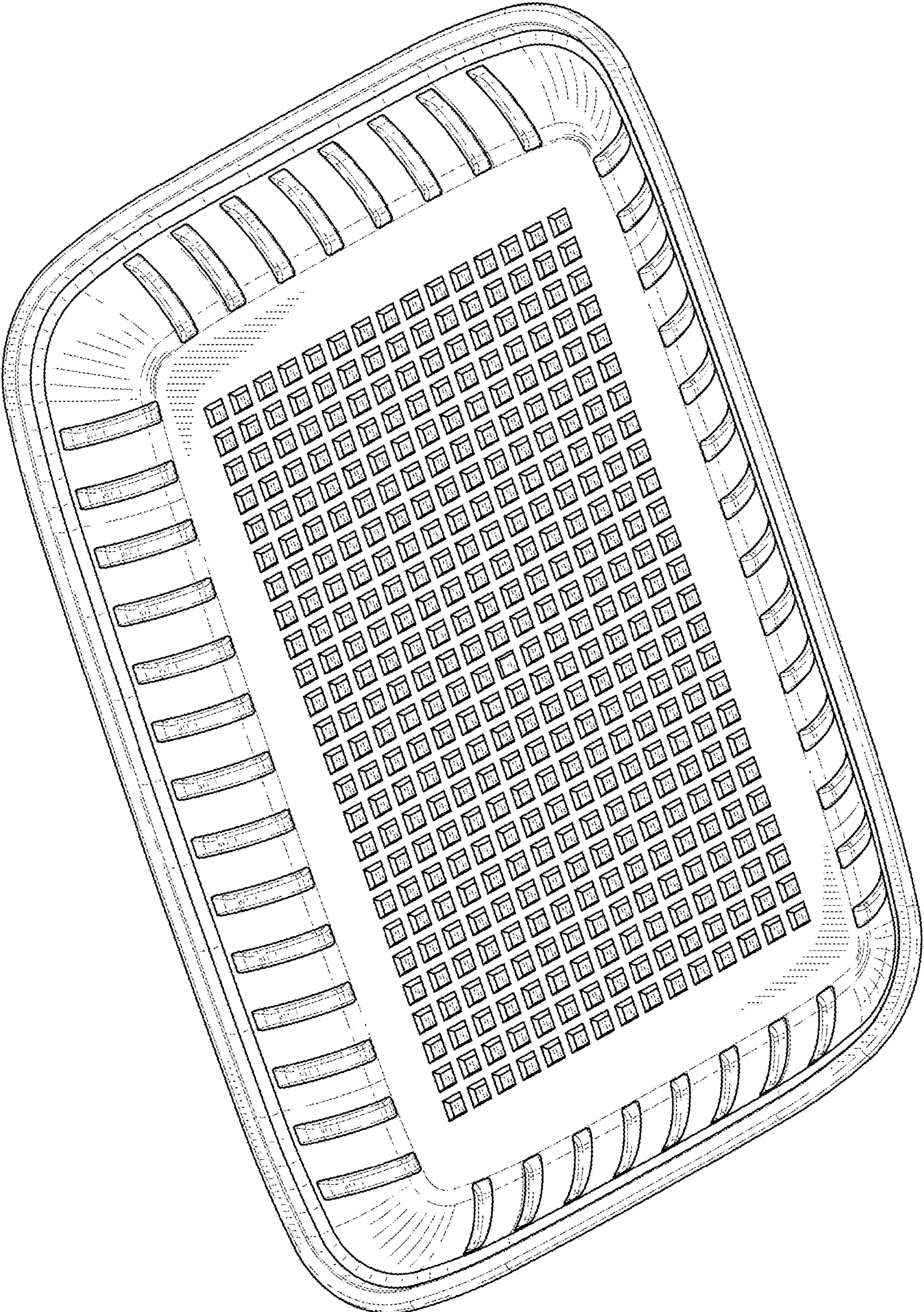


FIG. 7

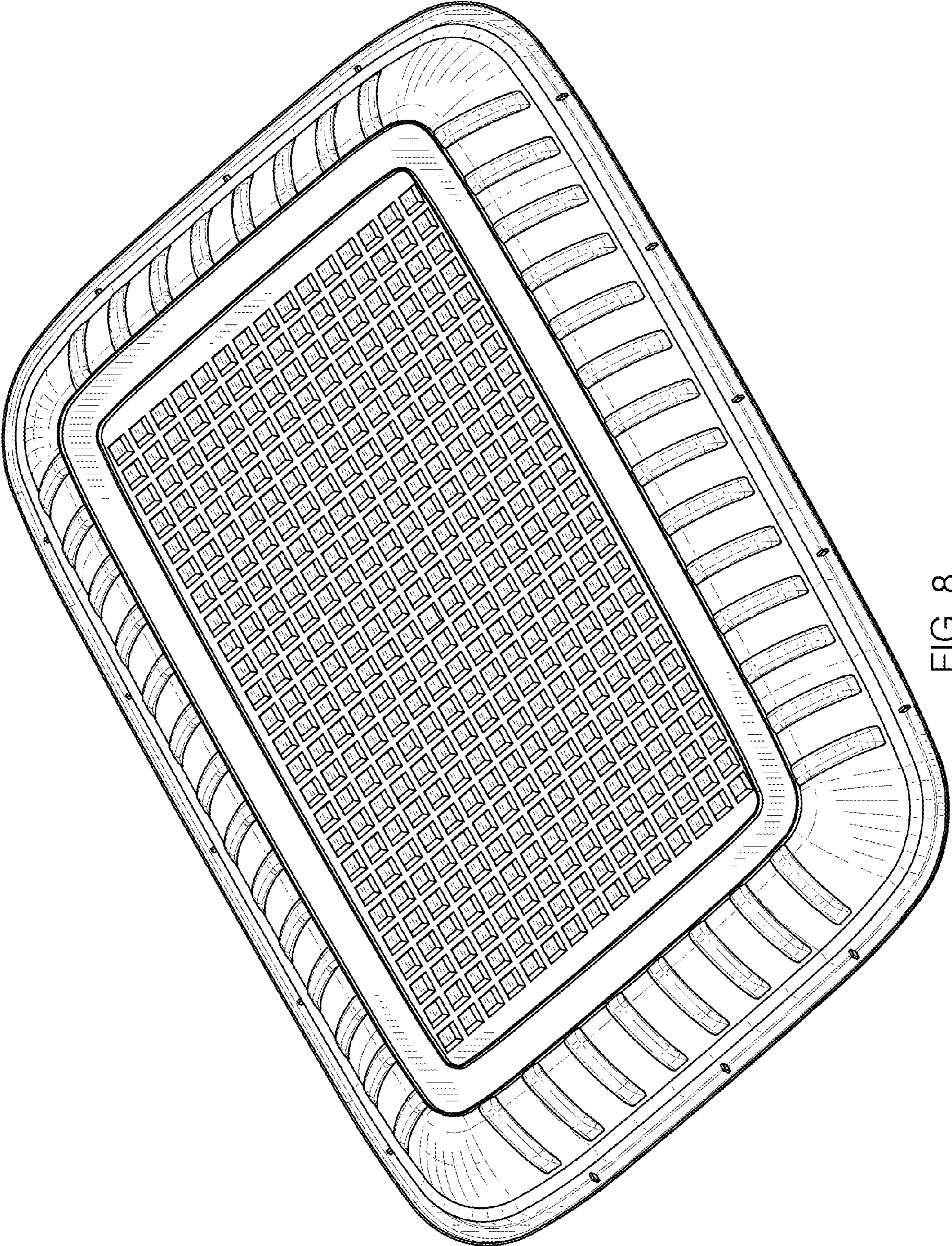


FIG. 8

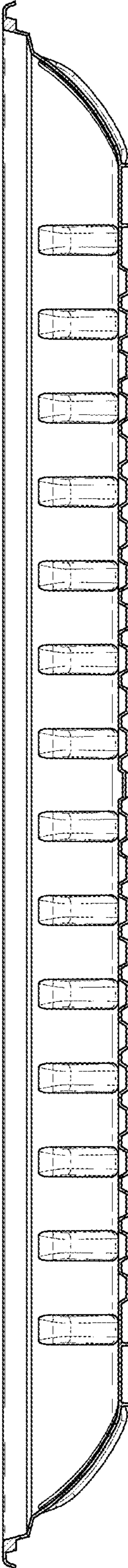


FIG. 9

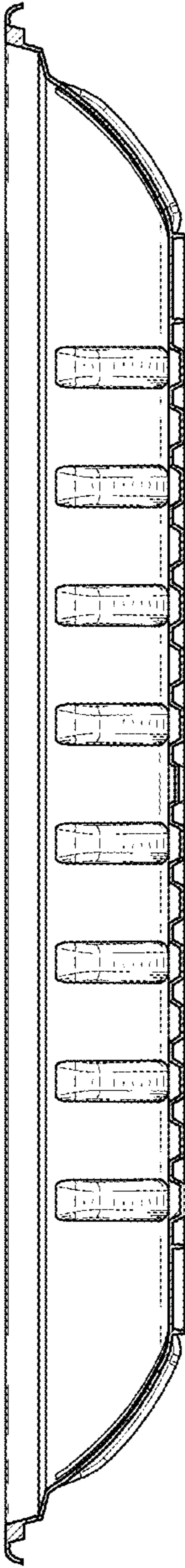


FIG. 10