



US00D886583S

(12) **United States Design Patent** (10) **Patent No.:** **US D886,583 S**
Hirst et al. (45) **Date of Patent:** **** Jun. 9, 2020**

(54) **PACKAGING**

(71) Applicant: **LINPAC Packaging Limited**,
Pontefract, West Yorkshire (GB)

(72) Inventors: **Tom Hirst**, Huddersfield (GB); **James Rowson**, West Yorkshire (GB)

(73) Assignee: **LINPAC PACKAGING LIMITED**,
Featherstone, West Yorkshire (GB)

(**) Term: **15 Years**

(21) Appl. No.: **29/640,826**

(22) Filed: **Mar. 16, 2018**

(30) **Foreign Application Priority Data**

Sep. 29, 2017 (EM) 004378404-0001

(51) **LOC (12) Cl.** **09-03**

(52) **U.S. Cl.**
USPC **D9/425**

(58) **Field of Classification Search**
USPC D7/400, 601, 608; D9/416, 417, 420,
D9/425-429, 430, 432, 761; 206/499,
206/501, 502, 821; 220/625, 656, 669,
220/670, 674; 229/123.1, 123.2, 125.33,
229/125.35, 400-407, 915, 939
CPC . B65D 1/26; B65D 1/40; B65D 5/243; B65D
81/3453; B65D 2581/34; B65D
2581/3404; B65D 2581/3456

See application file for complete search history.

(56) **References Cited**

U.S. PATENT DOCUMENTS

5,730,311 A * 3/1998 Curtis B65D 21/0222
206/508

D468,637 S * 1/2003 Chou D9/425

D469,314 S * 1/2003 Thonis D7/602

D470,048 S * 2/2003 Buchalski D9/425

D681,451 S * 5/2013 Kui D9/432

8,474,610 B1 * 7/2013 Knight B65D 81/262
206/204

D747,962 S * 1/2016 Astorga D9/425

* cited by examiner

Primary Examiner — Janice Patyk

(74) *Attorney, Agent, or Firm* — Baker & Hostetler LLP

(57) **CLAIM**

The ornamental design for a packaging, as shown and described.

DESCRIPTION

FIG. 1 is a top perspective view of a packaging showing our new design;

FIG. 2 is a top plan view thereof;

FIG. 3 is a front view thereof;

FIG. 4 is a bottom plan view;

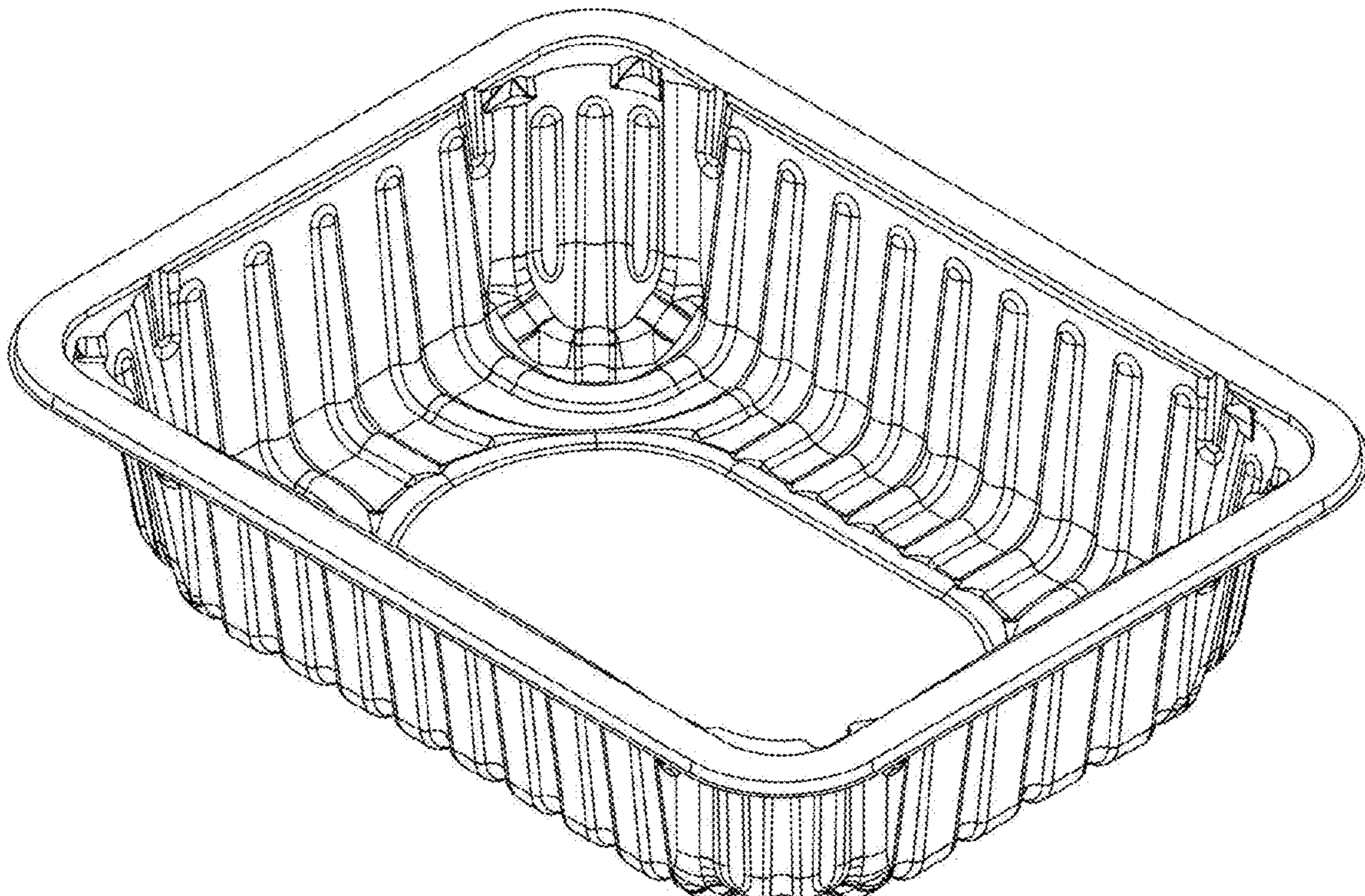
FIG. 5 is a rear view thereof;

FIG. 6 is a left side view thereof;

FIG. 7 is a right side view thereof; and,

FIG. 8 is a bottom perspective view thereof.

1 Claim, 6 Drawing Sheets



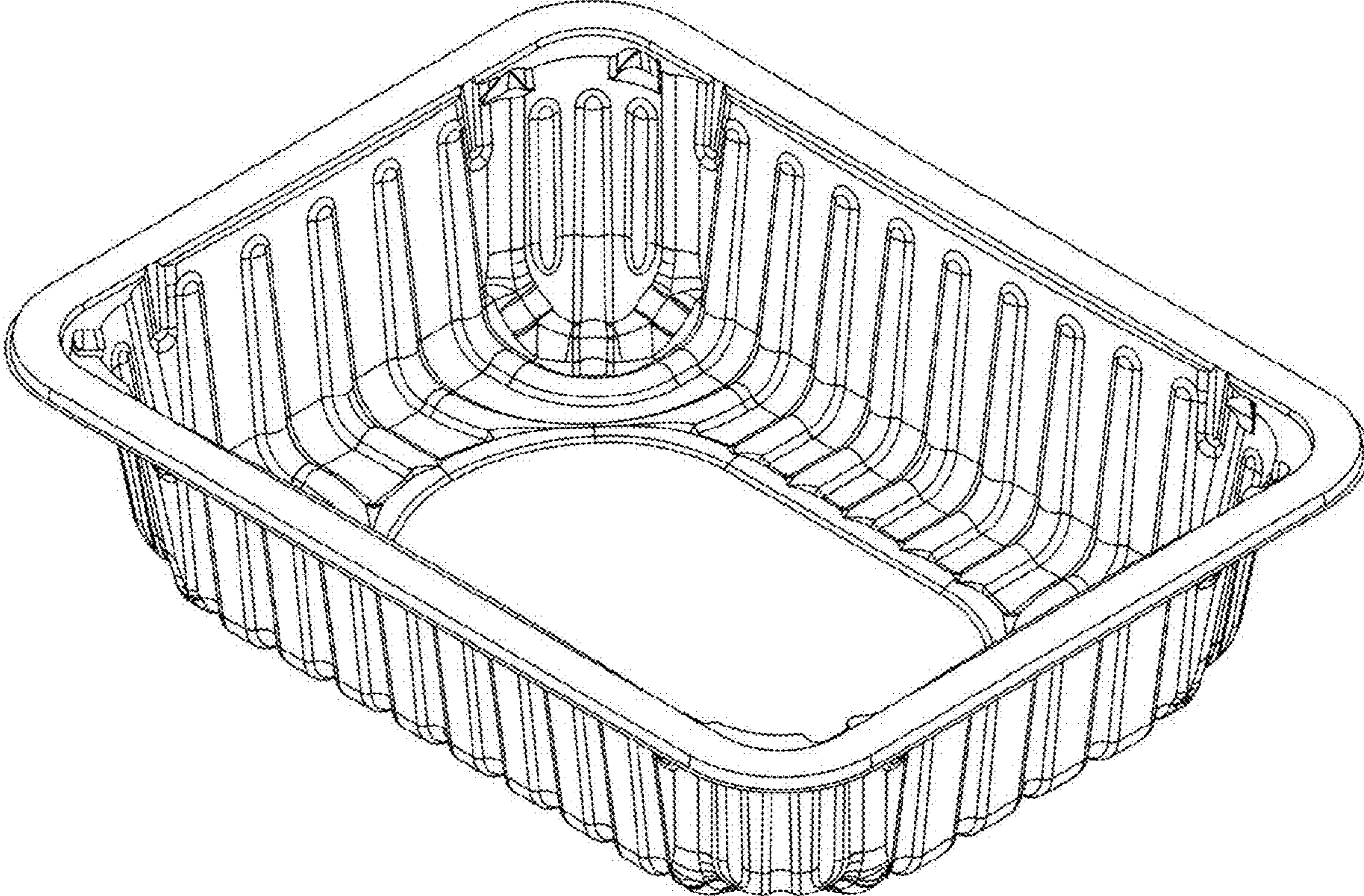


FIG. 1

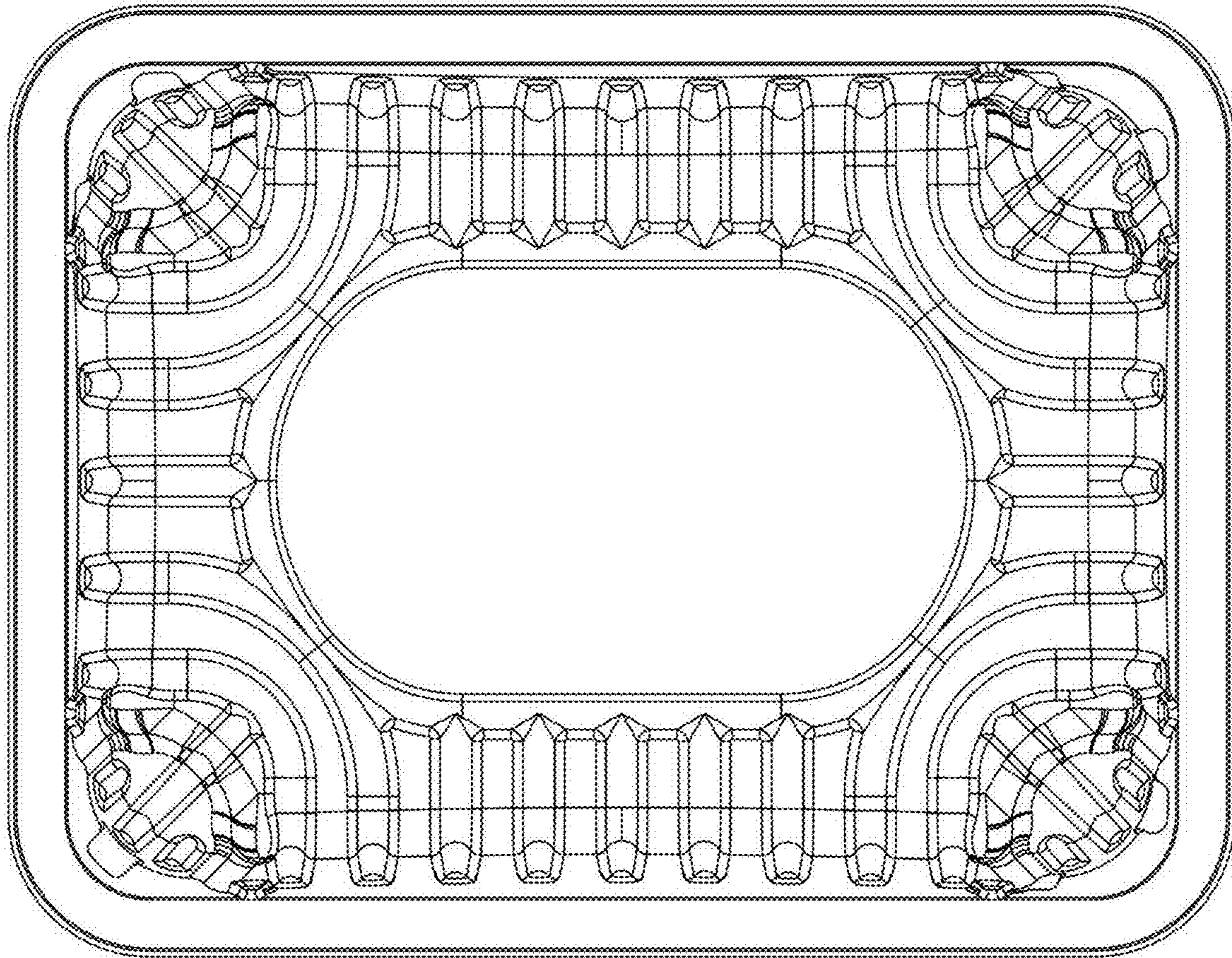


FIG. 2

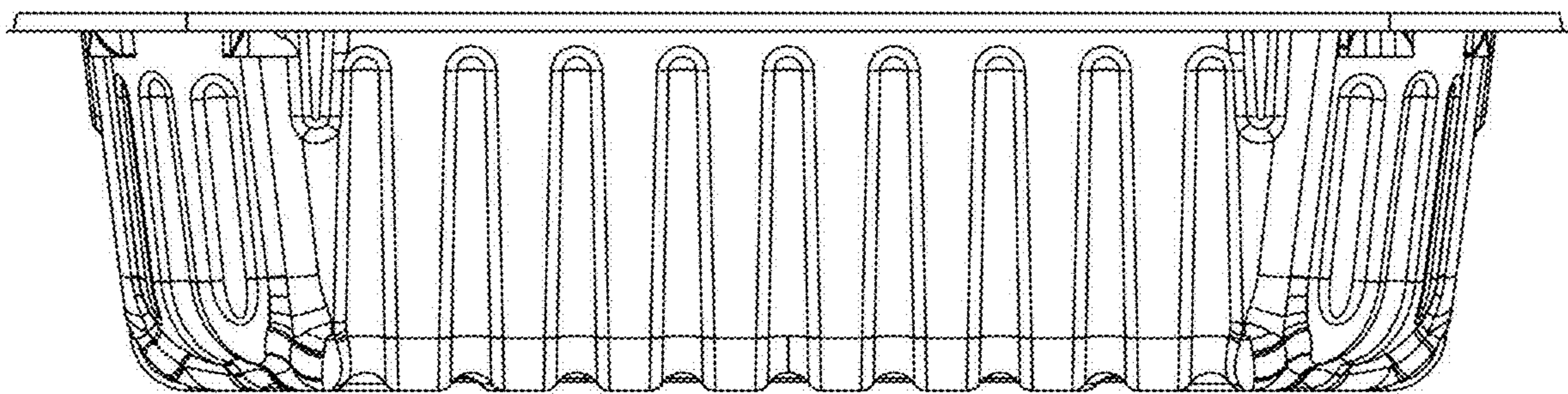


FIG. 3

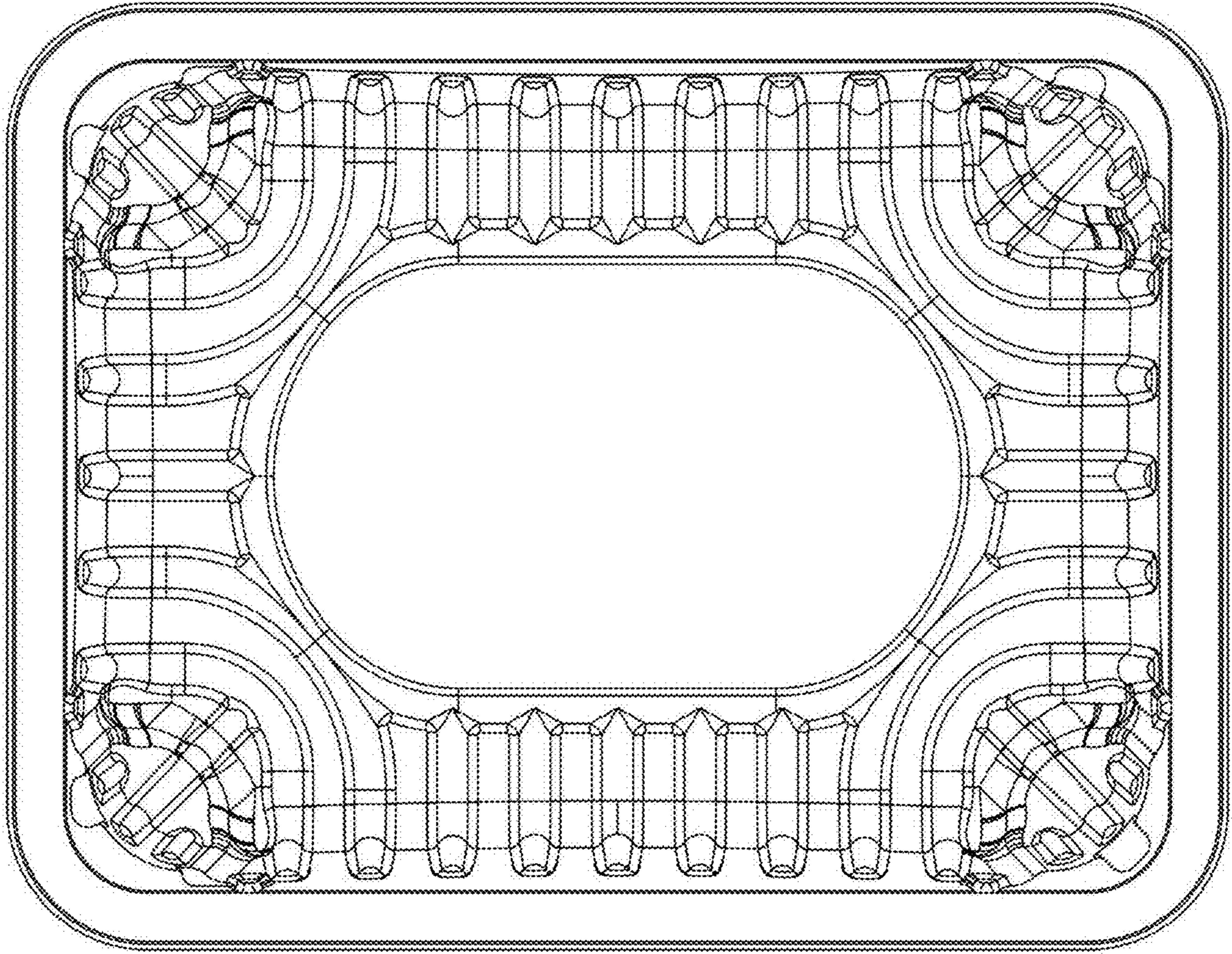


FIG. 4

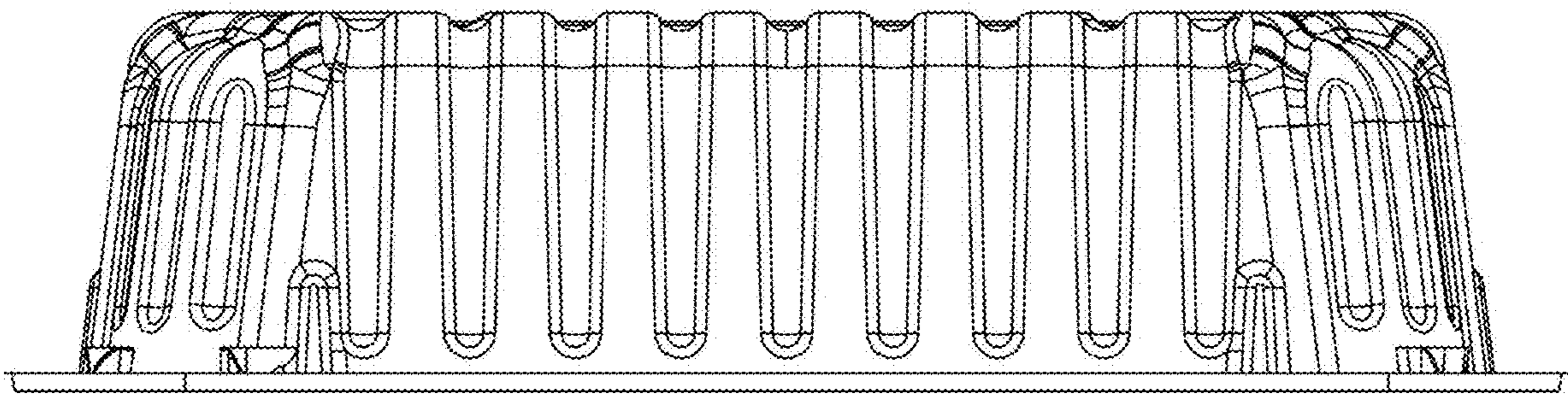


FIG. 5

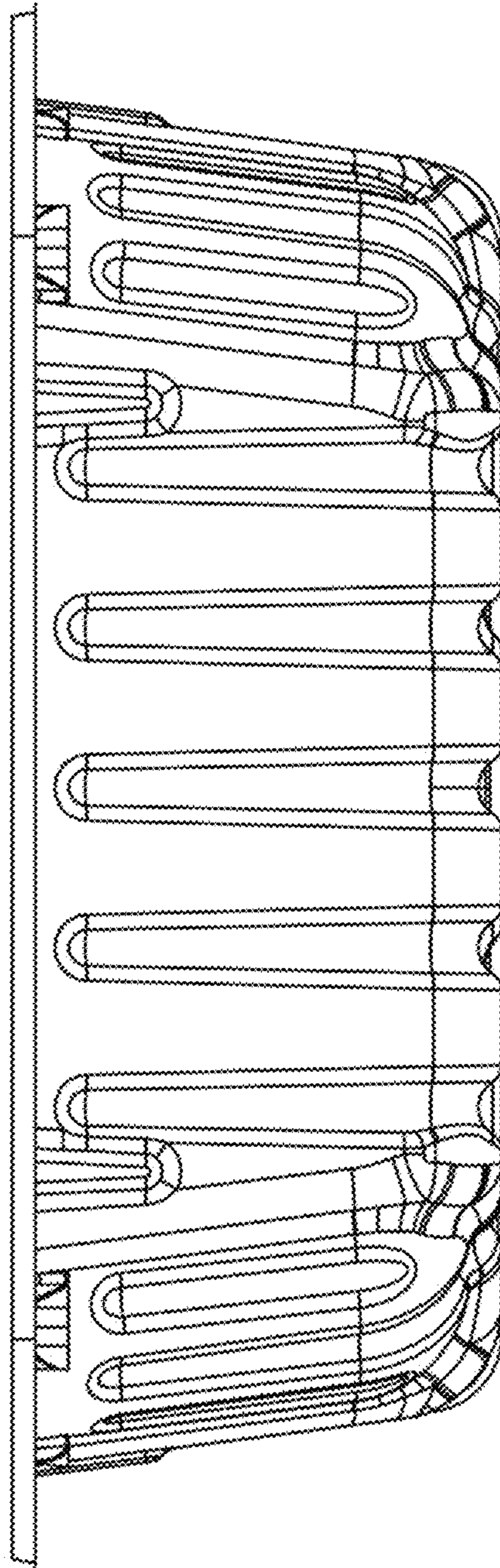


FIG. 6

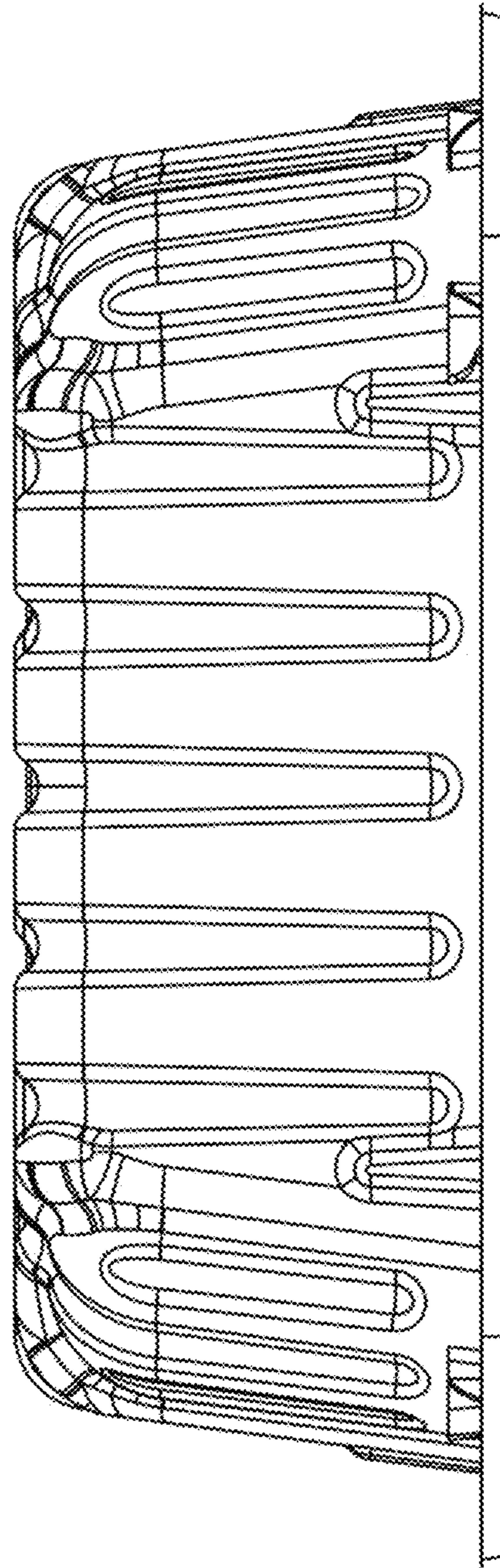


FIG. 7

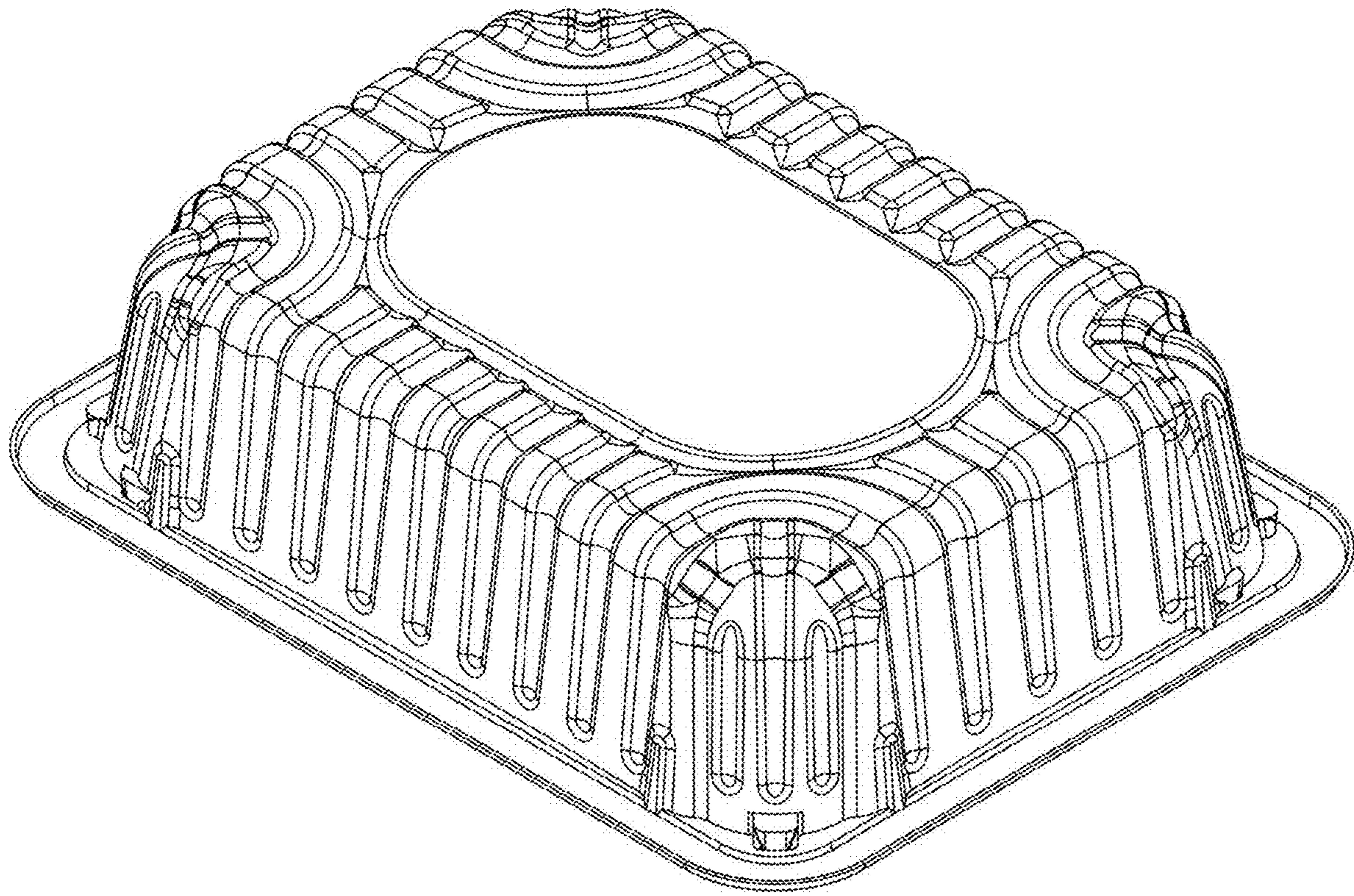


FIG. 8