



US00D886580S

(12) **United States Design Patent**  
**Sanfilippo et al.**

(10) **Patent No.:** **US D886,580 S**

(45) **Date of Patent:** **\*\* Jun. 9, 2020**

(54) **PACKAGING RECEPTACLE**

(71) Applicant: **Sonoco Development Inc.**, Hartsville, SC (US)

(72) Inventors: **James J. Sanfilippo**, Barrington Hills, IL (US); **John E. Sanfilippo**, Barrington Hills, IL (US)

(73) Assignee: **Sonoco Development Inc.**, Hartsville, SC (US)

(\*\*) Term: **15 Years**

(21) Appl. No.: **29/622,587**

(22) Filed: **Oct. 18, 2017**

(51) **LOC (12) Cl.** ..... **09-03**

(52) **U.S. Cl.**  
USPC ..... **D9/425**

(58) **Field of Classification Search**

USPC ..... D7/400, 601, 608; D9/416, 417, 420, D9/425-429, 430, 432, 761; 206/499, 206/501, 502, 821; 220/625, 656, 669, 220/670, 674; 229/123.1, 123.2, 125.33, 229/125.35, 400-407, 915, 939  
CPC . B65D 1/26; B65D 1/40; B65D 5/243; B65D 81/3453; B65D 2581/34; B65D 2581/3404; B65D 2581/3456  
See application file for complete search history.

(56) **References Cited**

**U.S. PATENT DOCUMENTS**

4,697,703 A \* 10/1987 Will ..... A61F 2/0095  
206/363  
D440,874 S \* 4/2001 Shurtleff ..... D9/425  
D450,240 S \* 11/2001 Haag ..... D9/416  
D514,441 S \* 2/2006 Snedden ..... D9/418  
D579,767 S \* 11/2008 Wallach ..... D9/416

(Continued)

**OTHER PUBLICATIONS**

U.S. Appl. No. 29/590,537, filed Jan. 11, 2017, "Package".  
U.S. Appl. No. 29/555,014, filed Feb. 27, 2016, "Package".

*Primary Examiner* — Janice Patyk

(74) *Attorney, Agent, or Firm* — Marshall, Gerstein & Borun LLP

(57) **CLAIM**

The ornamental design for a packaging receptacle, as shown and described.

**DESCRIPTION**

FIG. 1 is a top, front, and left-side isometric view of a packaging receptacle showing the new design.

FIG. 2 is a top plan view of the packaging receptacle.

FIG. 3 is a left-side elevation view of the packaging receptacle.

FIG. 4 is a front elevation view of the packaging receptacle. FIG. 5 is a right-side elevation view of the packaging receptacle.

FIG. 6 is a back elevation view of the packaging receptacle.

FIG. 7 is a bottom, back, and right-side isometric view of the packaging receptacle.

FIG. 8 is a bottom plan view of the packaging receptacle.

FIG. 9 is a top, front, and right-side isometric view of the packaging receptacle.

FIG. 10 is a bottom, front, and right-side isometric view of the packaging receptacle.

FIG. 11 is a bottom, front, and left-side isometric view of the packaging receptacle.

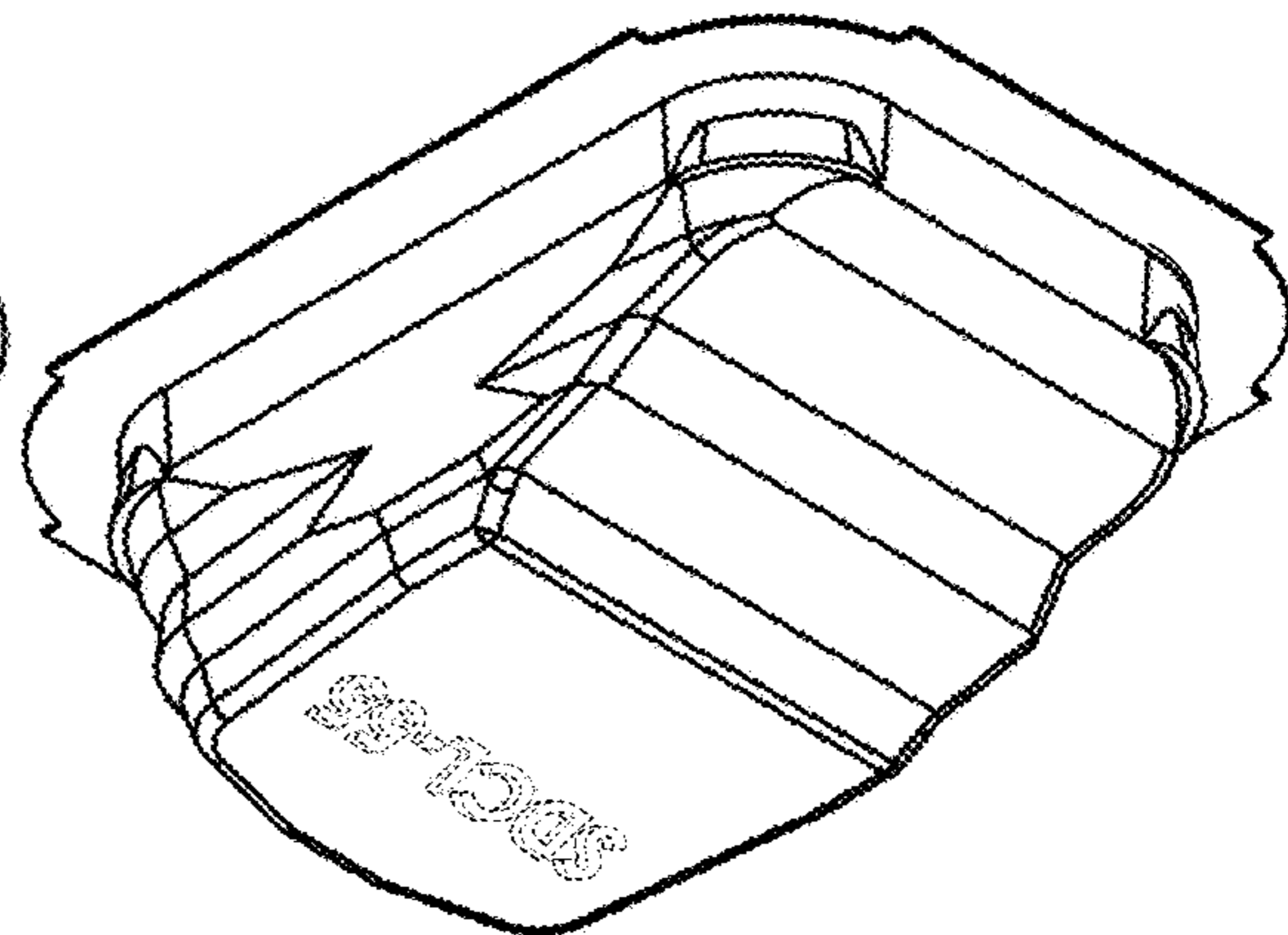
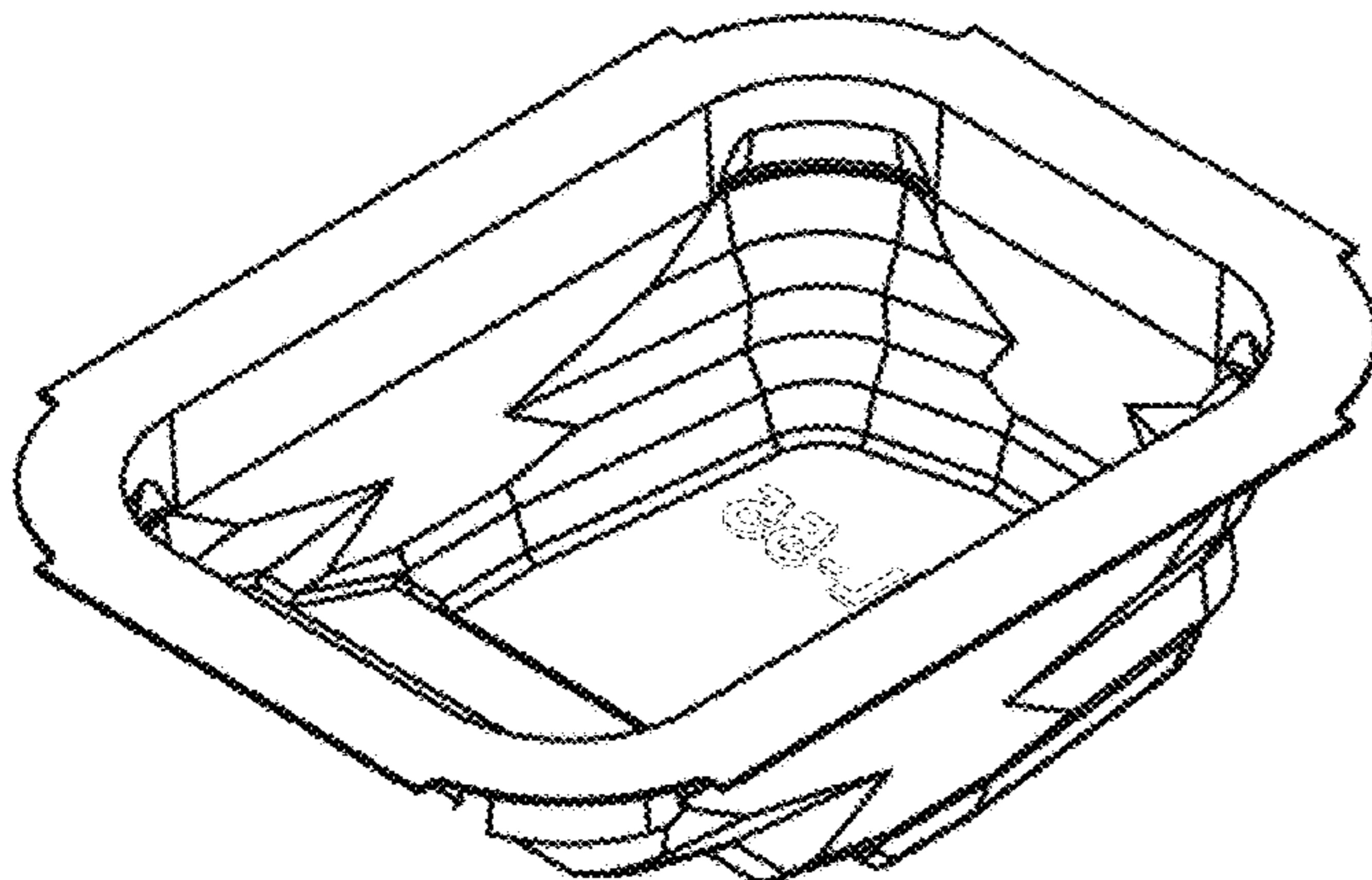
FIG. 12 is a top, back, and right-side isometric view of the packaging receptacle.

FIG. 13 is a top, back, and left-side isometric view of the packaging receptacle; and,

FIG. 14 is a bottom, back, left-side isometric view of the packaging receptacle.

The broken lines in the figures illustrate the portions of the design that form no part of the claimed design.

**1 Claim, 7 Drawing Sheets**



(56)

**References Cited**

U.S. PATENT DOCUMENTS

7,731,997 B2 *	6/2010	Castellanos .....	B65D 1/34 206/714
D763,105 S	8/2016	Forowycz et al.	
2012/0152954 A1 *	6/2012	Bruehl .....	B65D 77/2052 220/265
2013/0015096 A1 *	1/2013	BeVier .....	B65D 1/34 206/557

\* cited by examiner

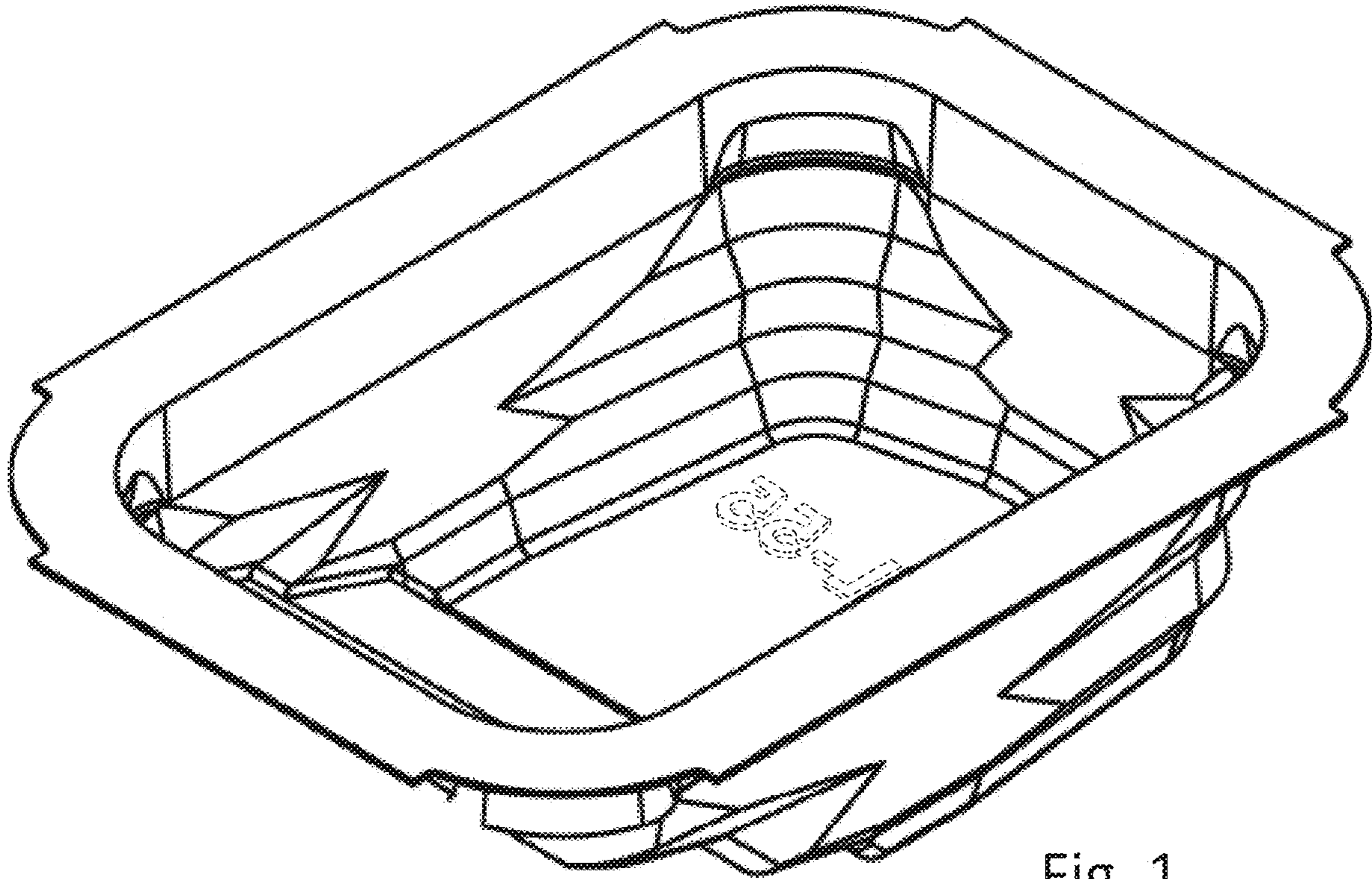


Fig. 1

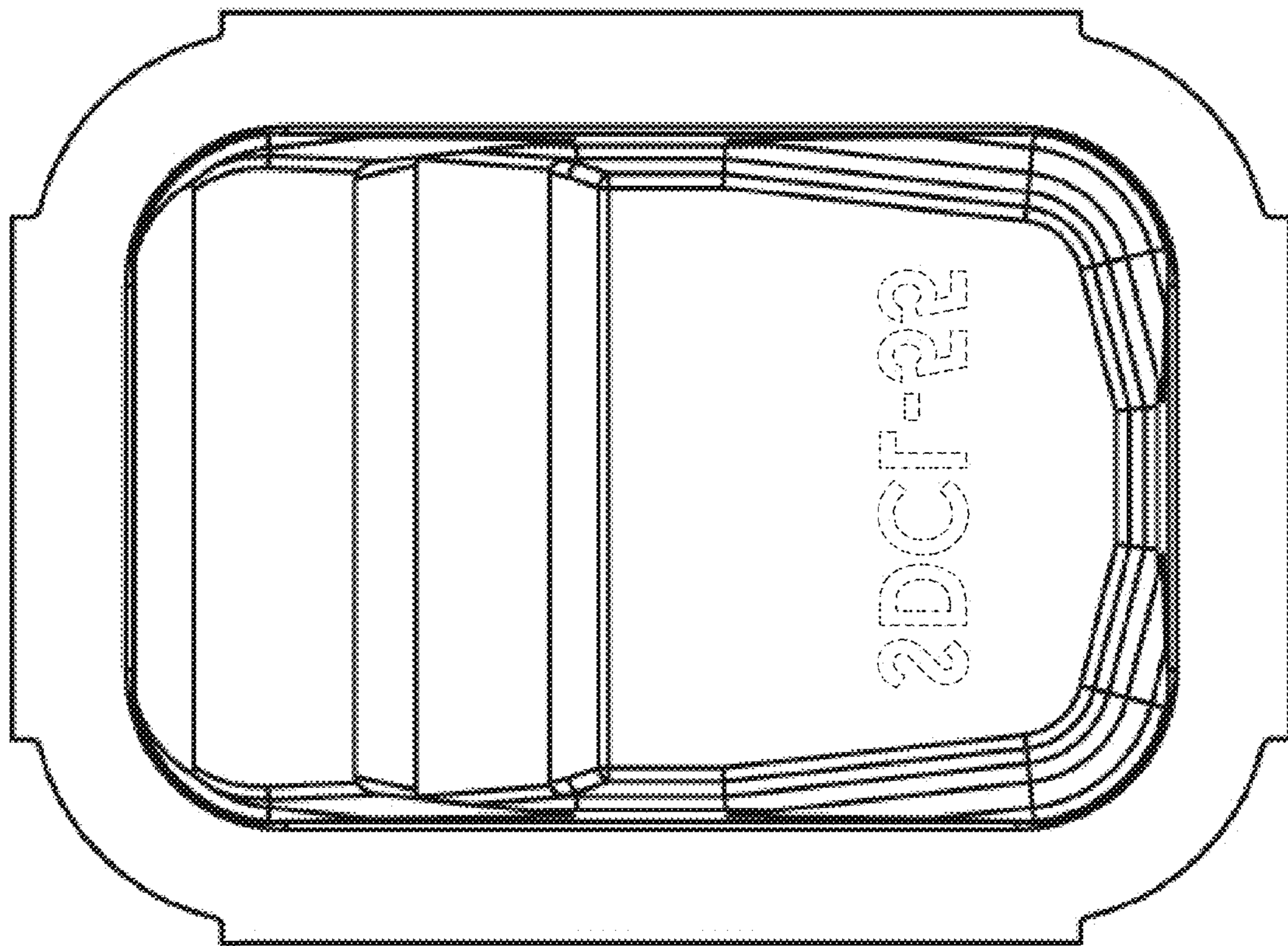


Fig. 2

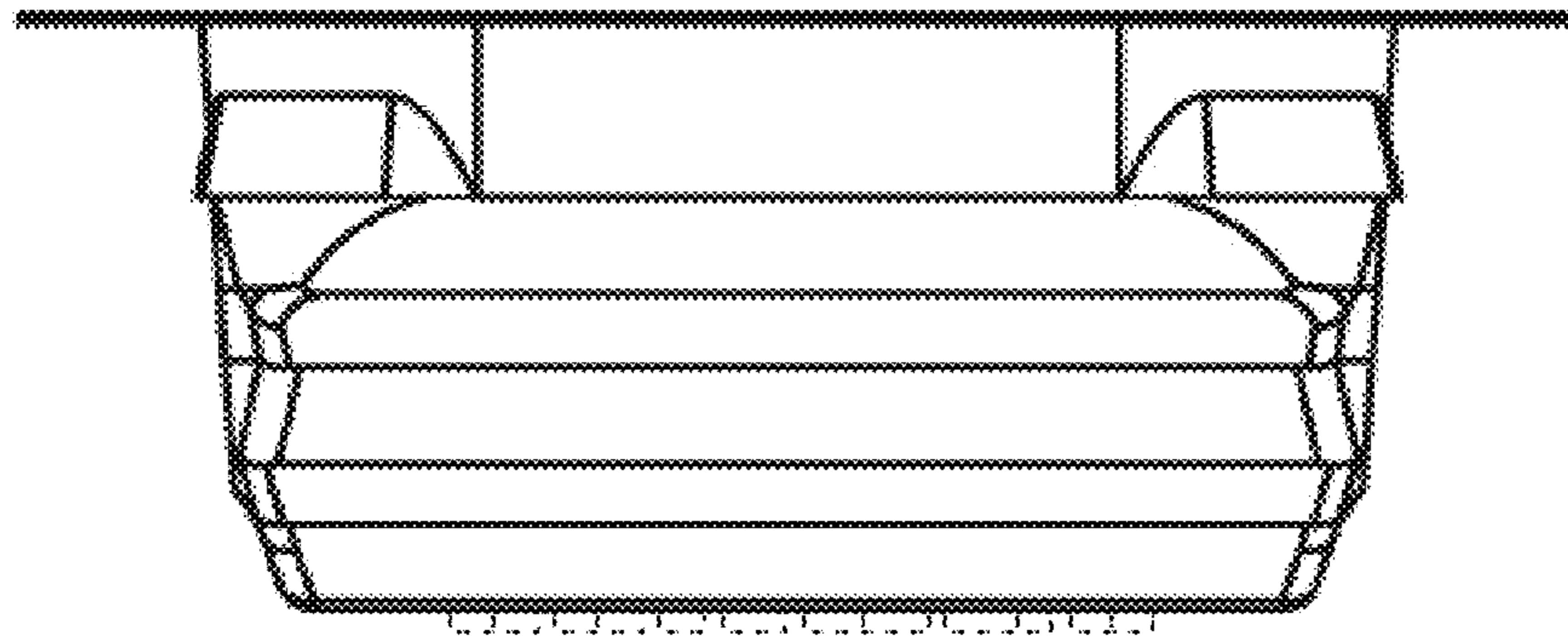


Fig. 3

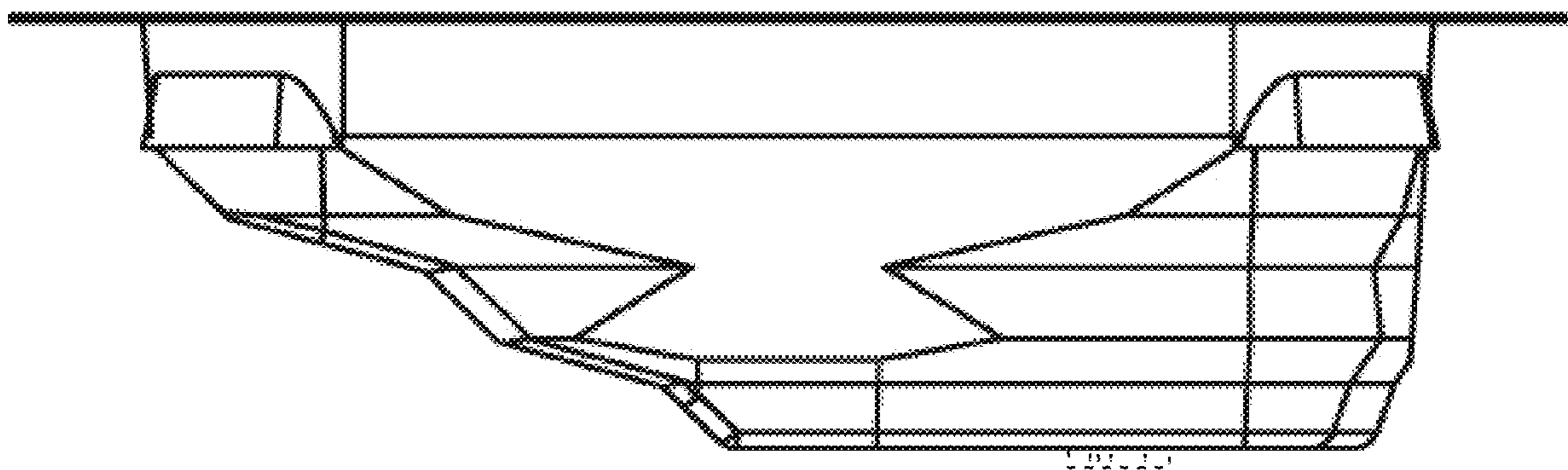


Fig. 4

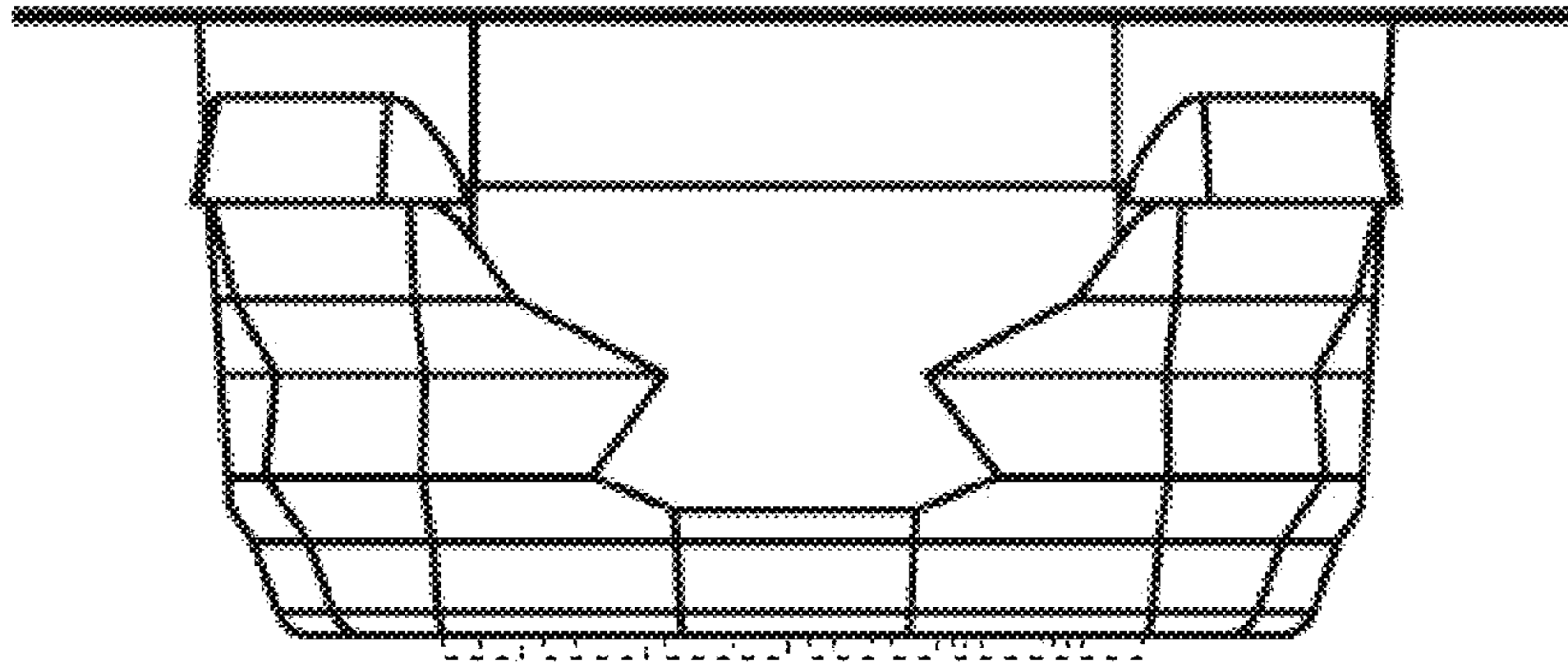


Fig. 5

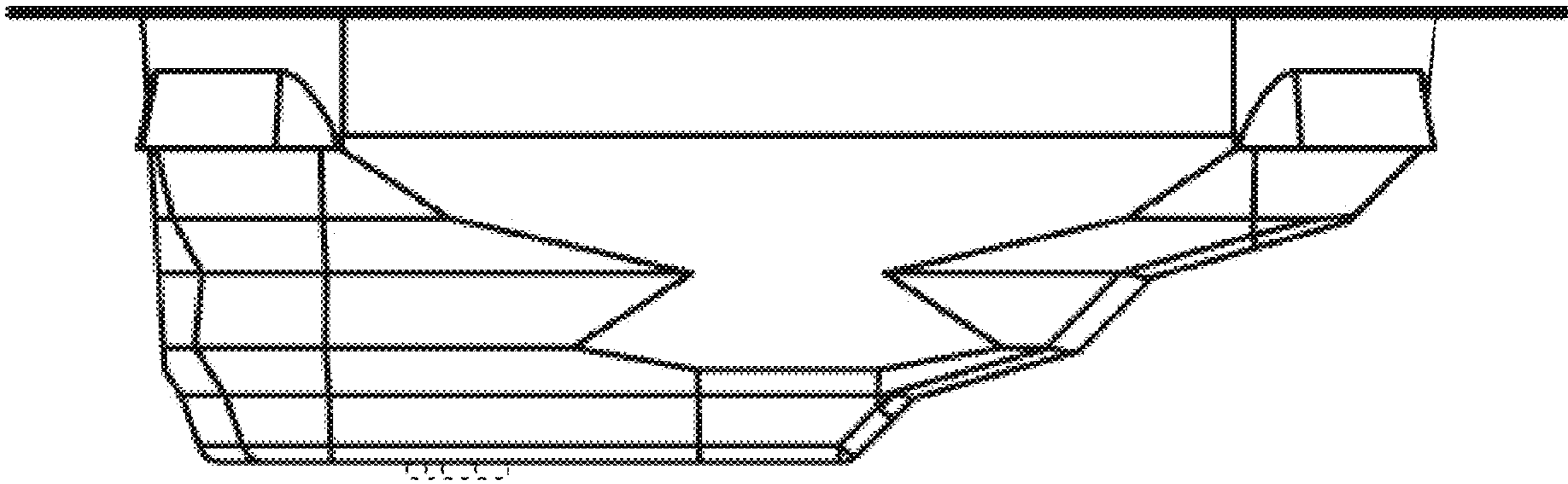


Fig. 6

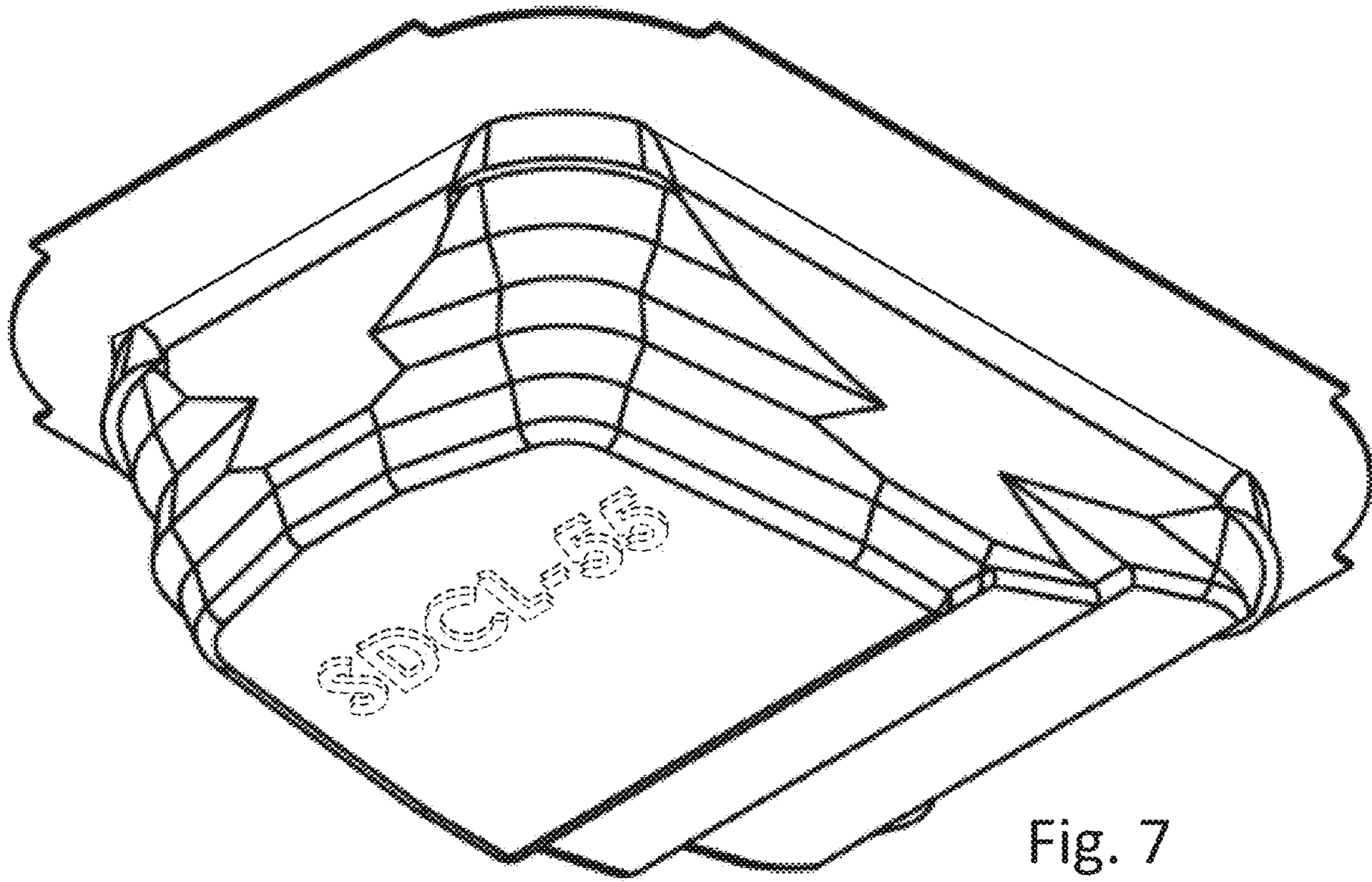


Fig. 7

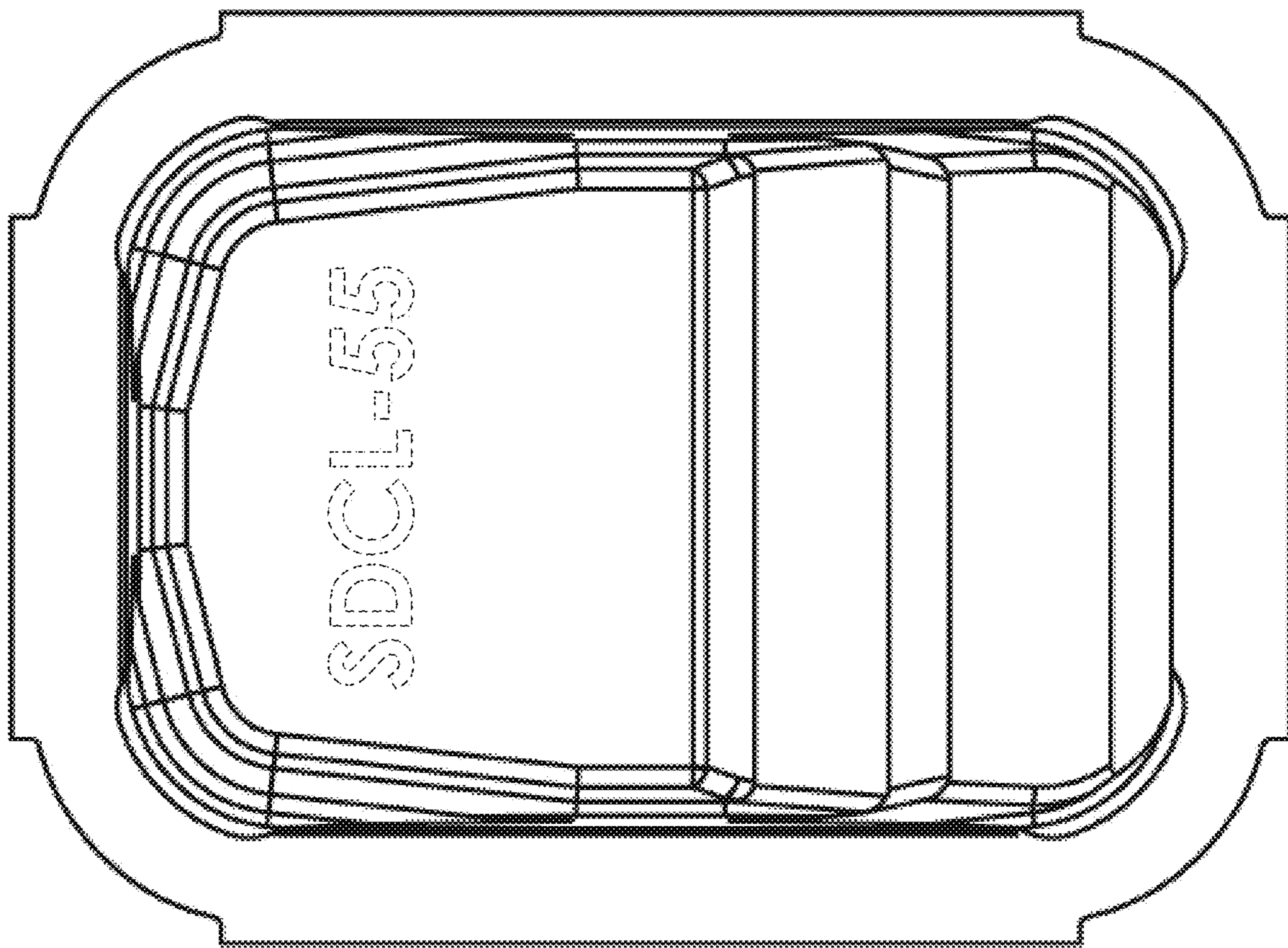


Fig. 8

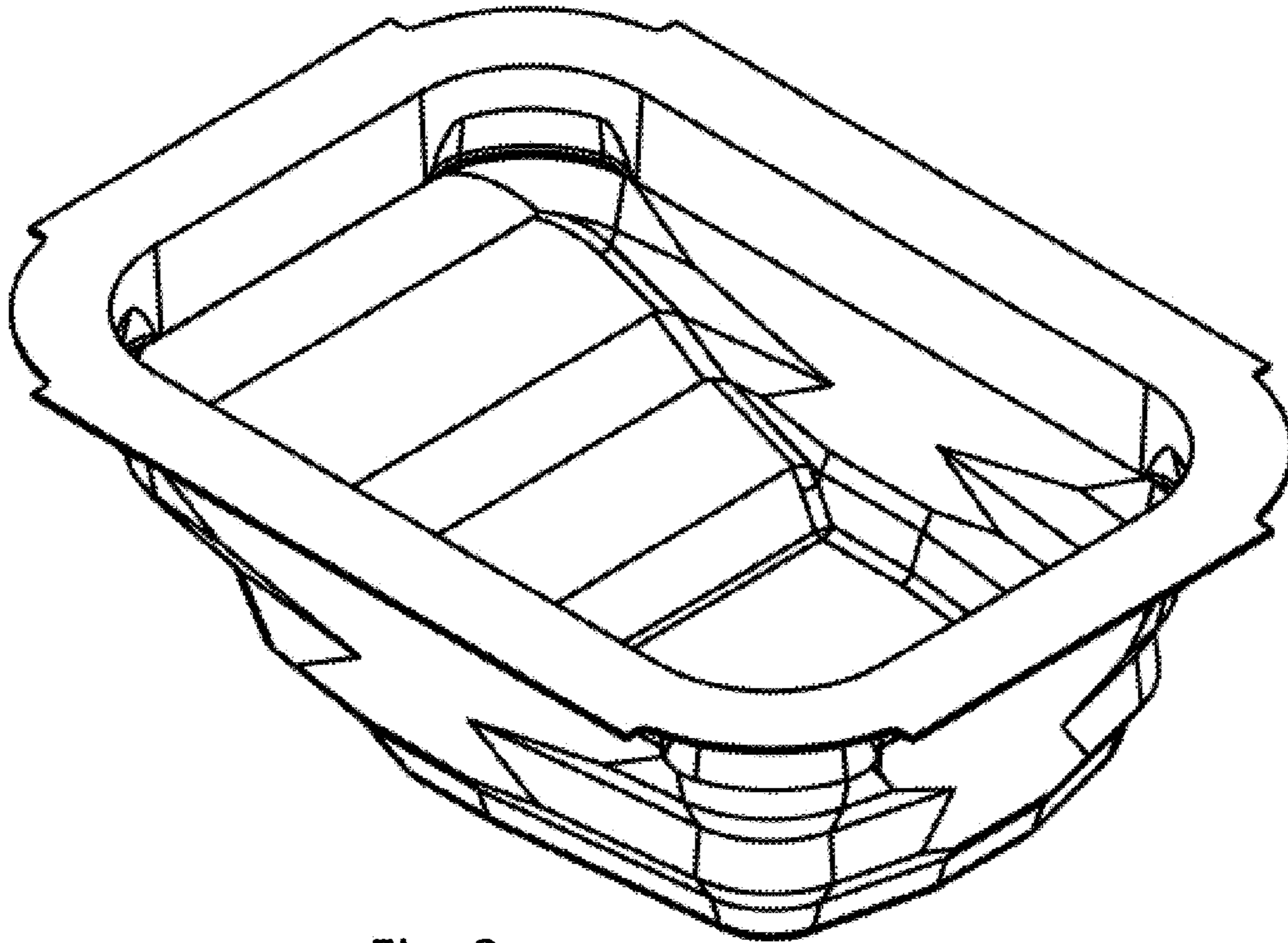


Fig. 9

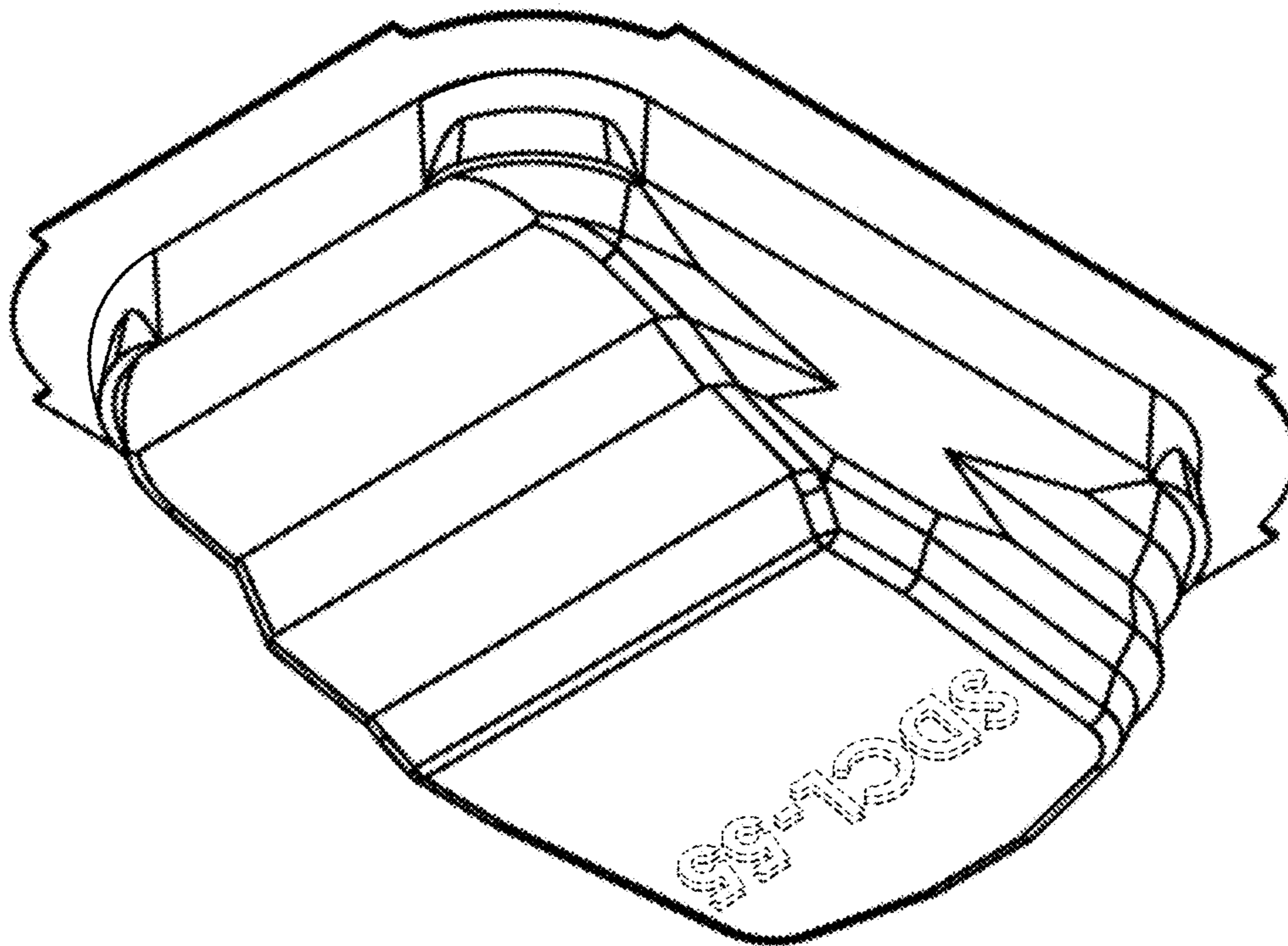


Fig. 10

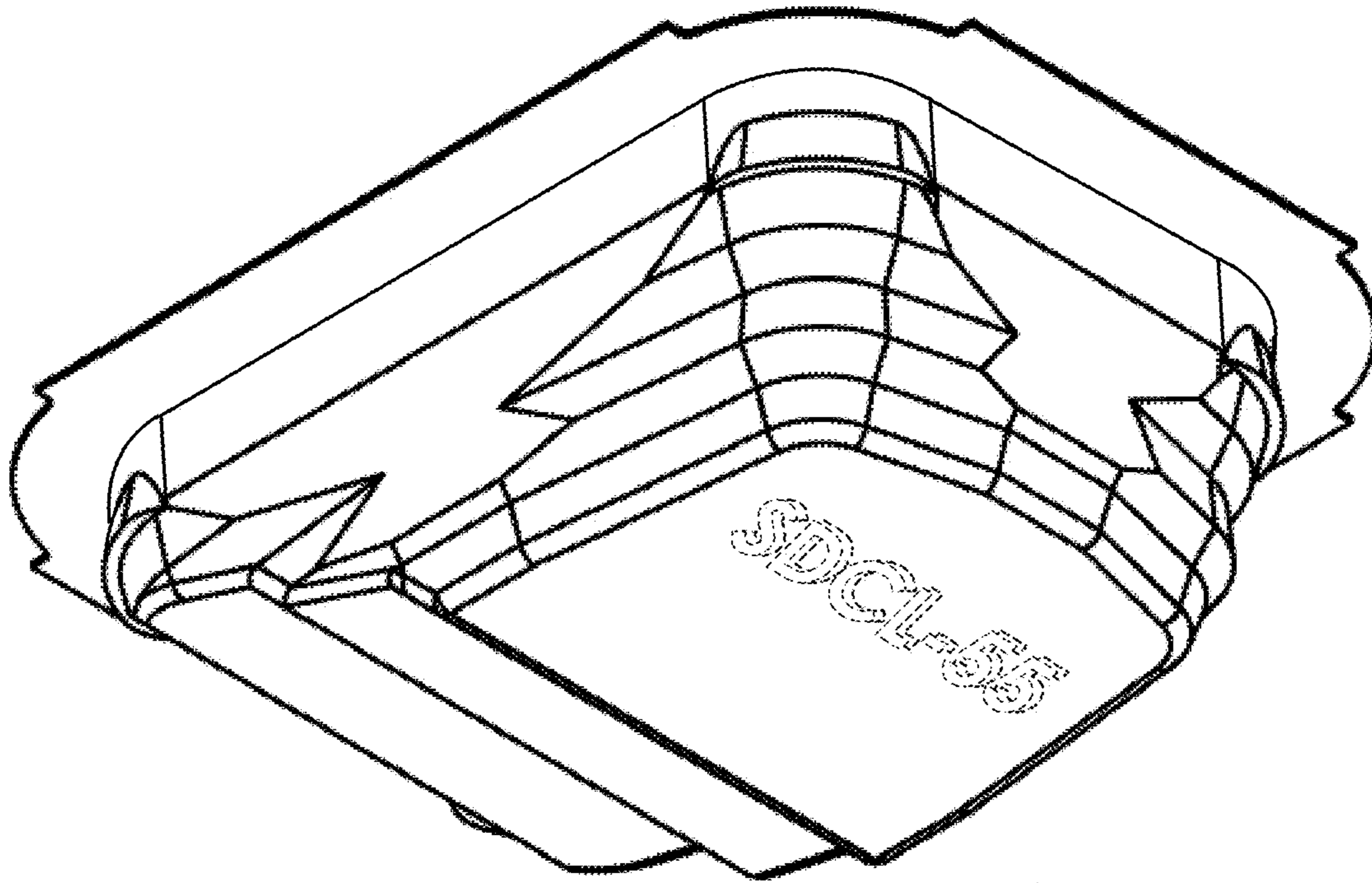


Fig. 11

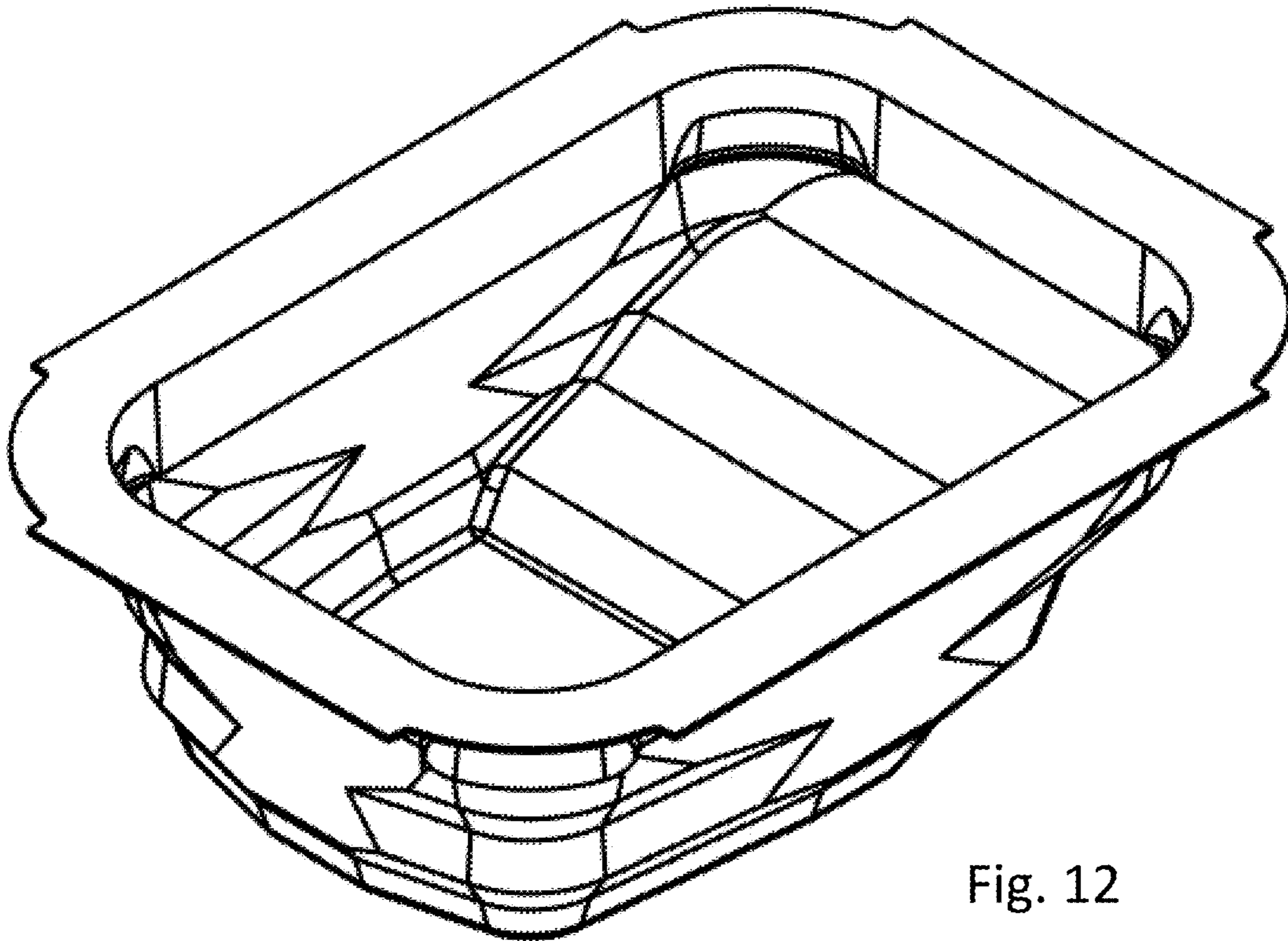


Fig. 12



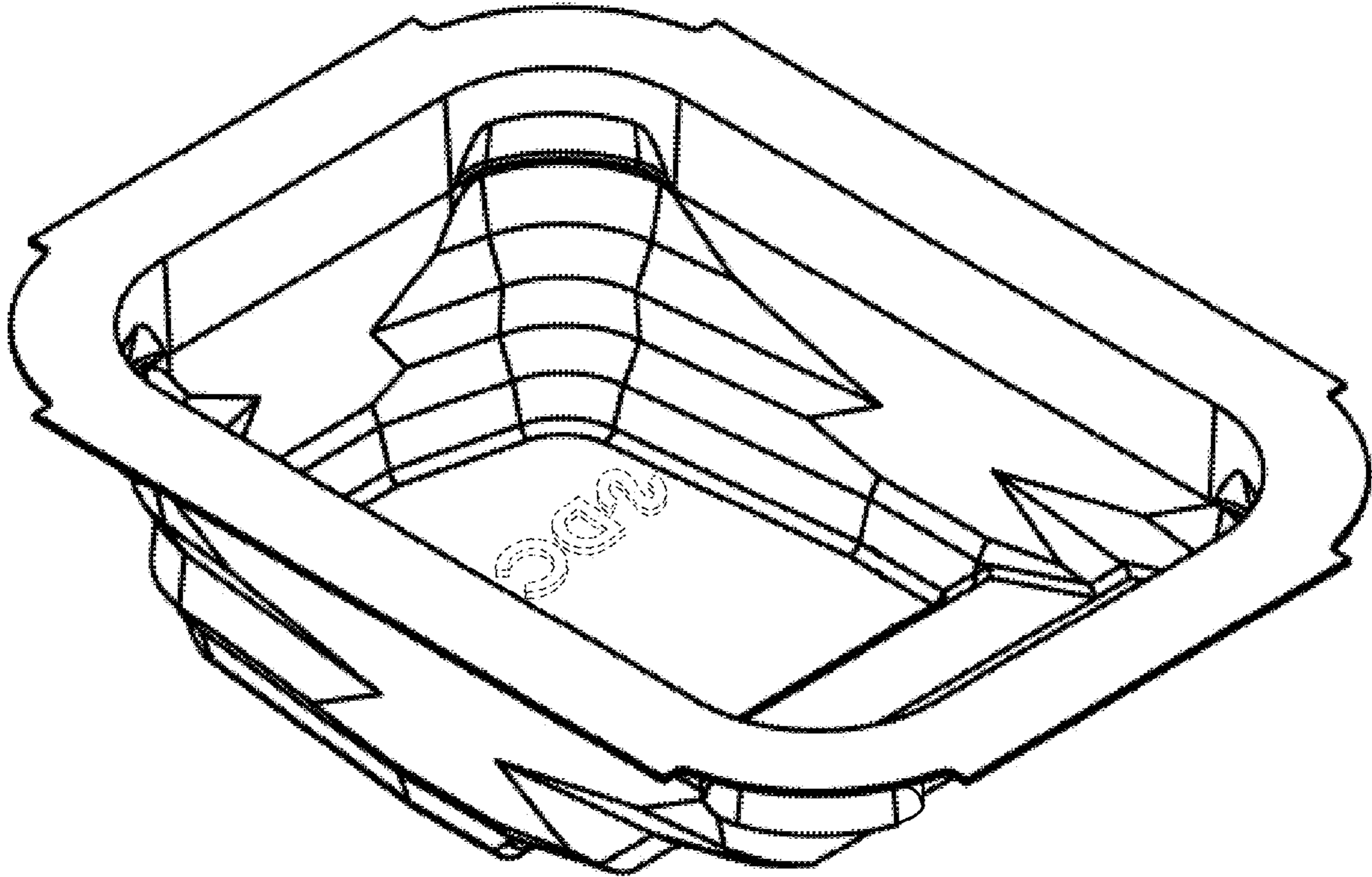


Fig. 13

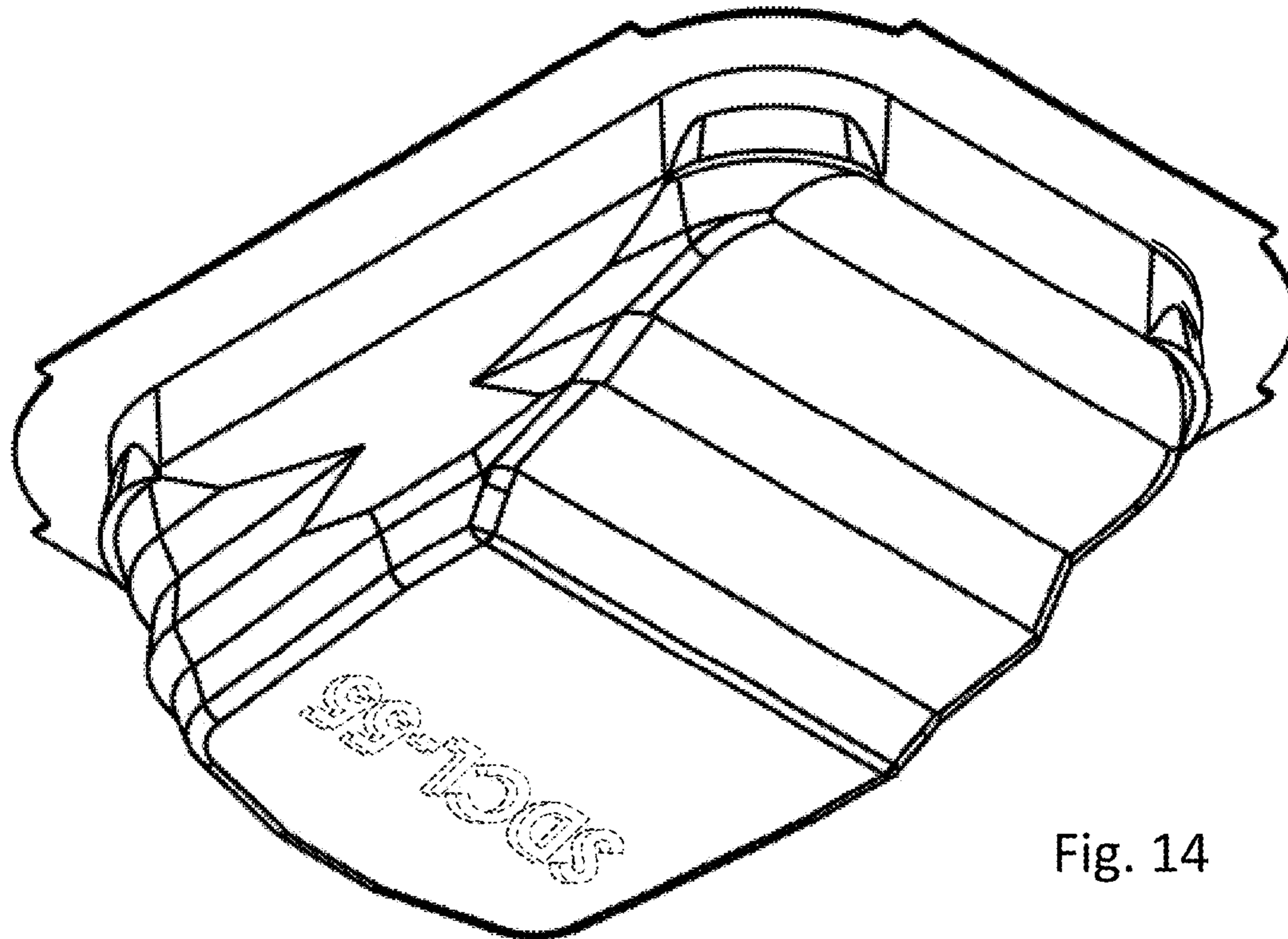


Fig. 14