



US00D886579S

(12) **United States Design Patent**  
**Inagaki et al.**

(10) **Patent No.:** **US D886,579 S**  
(45) **Date of Patent:** **\*\* Jun. 9, 2020**

- (54) **PACKAGING CONTAINER**
- (71) Applicants: **Chokoku Plast Corporation**,  
Osaka-shi, Osaka (JP); **Hiromichi Inagaki**,  
Inuyama-shi, Aichi (JP)
- (72) Inventors: **Hiromichi Inagaki**, Inuyama (JP);  
**Sakaru Takahashi**, Tokyo (JP)
- (73) Assignees: **CHOKOKU PLAST CORPORATION**, Osaka-shi, Osaka (JP); **Hiromichi Inagaki**, Inuyama-shi, Aichi (JP)
- (\*\*) Term: **15 Years**
- (21) Appl. No.: **29/621,112**
- (22) Filed: **Oct. 4, 2017**
- (51) **LOC (12) Cl.** ..... **09-03**
- (52) **U.S. Cl.**  
USPC ..... **D9/425**
- (58) **Field of Classification Search**  
USPC ..... D7/400, 601, 608; D9/416, 417, 420,  
D9/425-429, 430, 432, 761; 206/499,  
206/501, 502, 821; 220/625, 656, 669,  
220/670, 674; 229/123.1, 123.2, 125.33,  
229/125.35, 400-407, 915, 939  
CPC . B65D 1/26; B65D 1/40; B65D 5/243; B65D  
81/3453; B65D 2581/34; B65D  
2581/3404; B65D 2581/3456  
See application file for complete search history.

- D596,857 S \* 7/2009 Ahlgrim ..... D3/307
- D664,762 S \* 8/2012 Dalton ..... B25C 7/00  
D3/203.2
- D725,463 S \* 3/2015 Kuo ..... D9/414
- 2011/0297690 A1\* 12/2011 Teys ..... B65D 43/162  
220/834
- 2012/0125937 A1\* 5/2012 Ahlstrom ..... B65D 43/0218  
220/378

\* cited by examiner

*Primary Examiner* — Janice Patyk  
(74) *Attorney, Agent, or Firm* — Flynn Thiel, P.C.

(57) **CLAIM**

The ornamental design for a packaging container, as shown and described.

**DESCRIPTION**

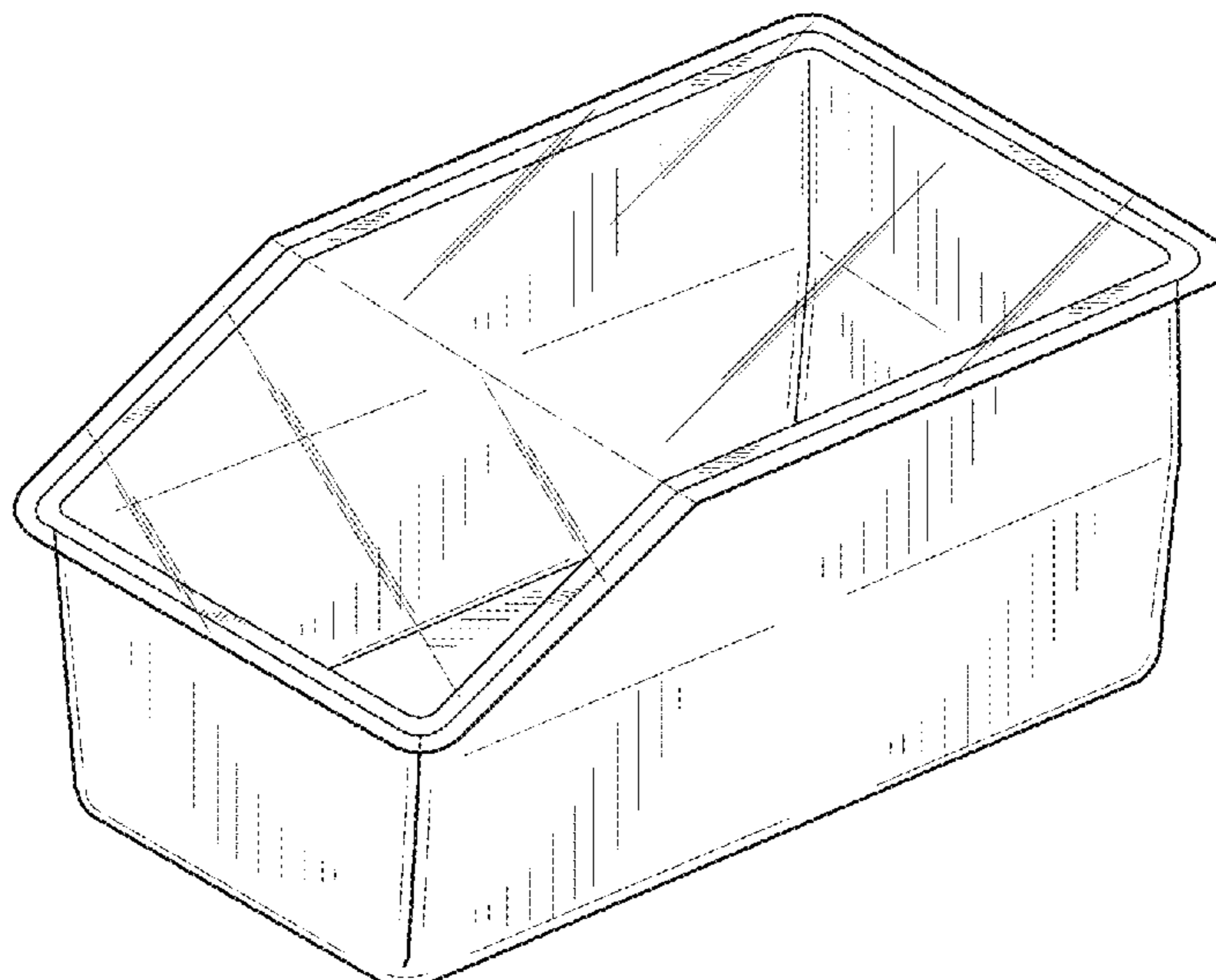
FIG. 1 is a front elevational view of a packaging container showing our new design;  
 FIG. 2 is a right side elevational view thereof;  
 FIG. 3 is a left side elevational view thereof;  
 FIG. 4 is a top plan view thereof;  
 FIG. 5 is a bottom plan view thereof;  
 FIG. 6 is a perspective view thereof;  
 FIG. 7 is a cross-sectional view thereof, taken along line 7-7 of FIG. 1;  
 FIG. 8 is a cross-sectional view thereof, taken along line 8-8 of FIG. 1;  
 FIG. 9 is a cross-sectional view thereof, taken along line 9-9 of FIG. 2;  
 FIG. 10 is a cross-sectional view thereof taken along line 10-10 of FIG. 2; and,  
 FIG. 11 is a perspective view thereof, shown in a stacked condition in environmental use.  
 The broken lines of the container of FIG. 11 illustrate environmental subject matter that forms no part of the claimed design.

**1 Claim, 11 Drawing Sheets**

(56) **References Cited**

**U.S. PATENT DOCUMENTS**

- D315,099 S \* 3/1991 Alizard ..... D9/424
- 5,205,413 A \* 4/1993 Cautereels ..... A45C 5/00  
190/116
- D365,208 S \* 12/1995 Laib ..... D3/294



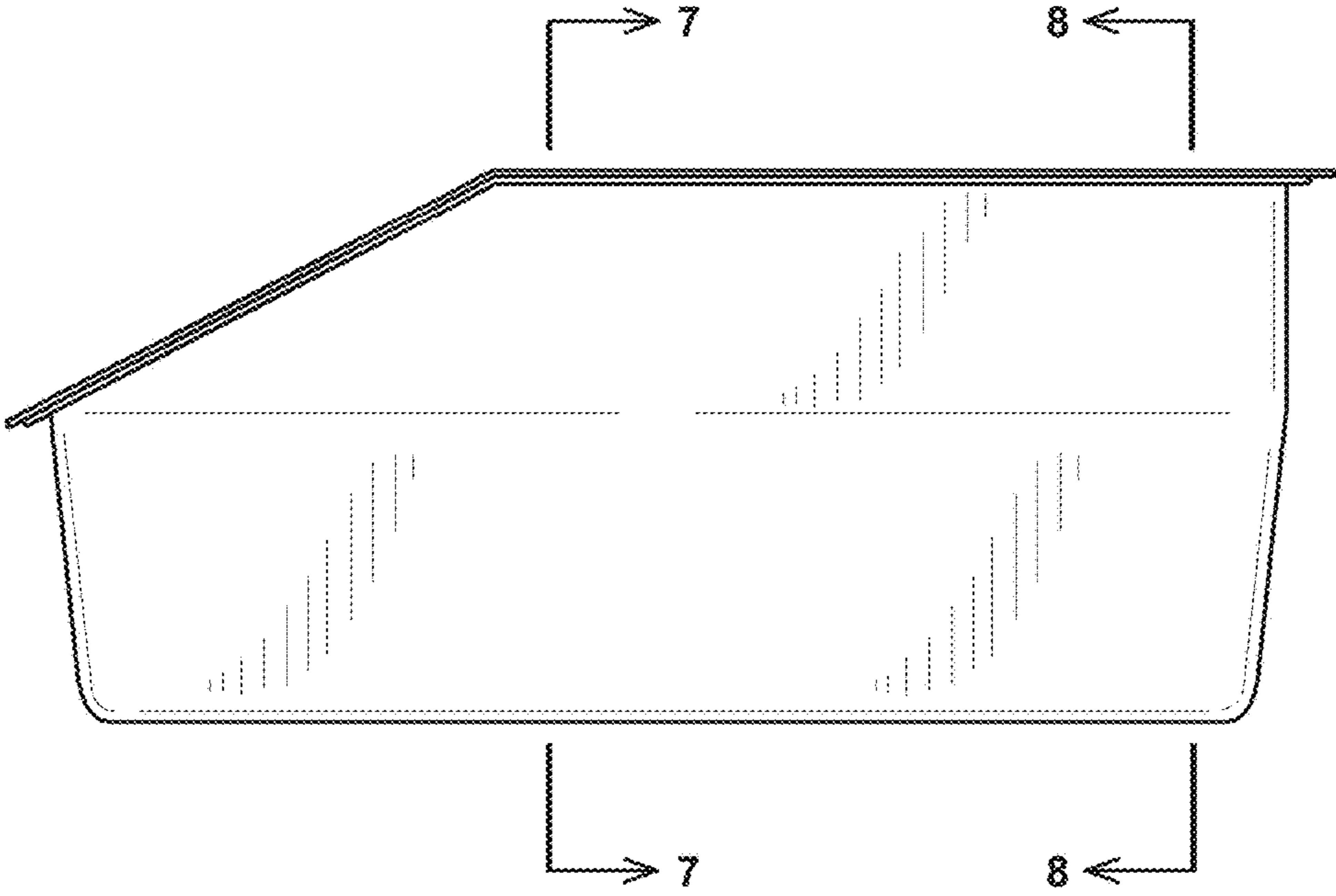
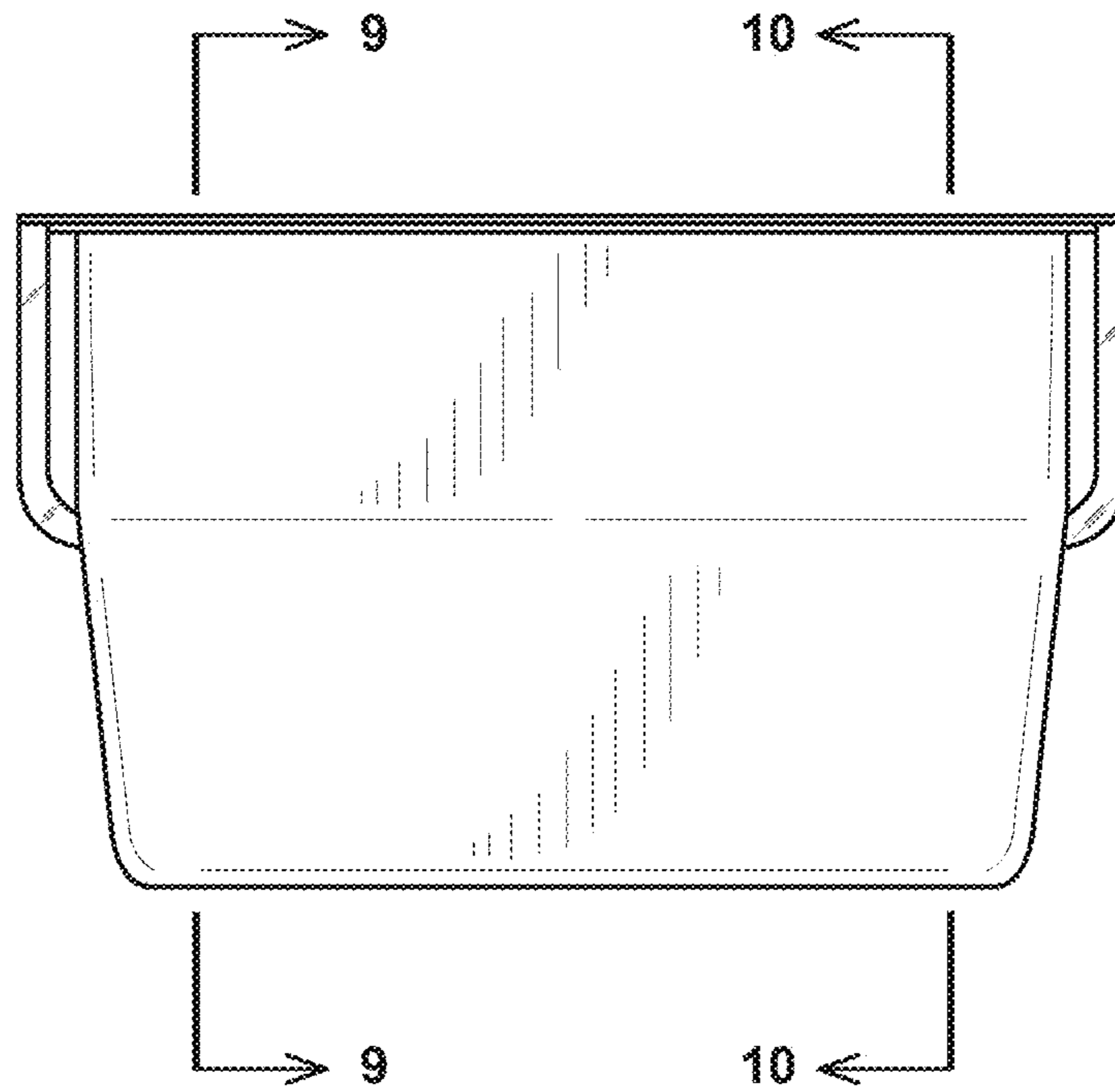
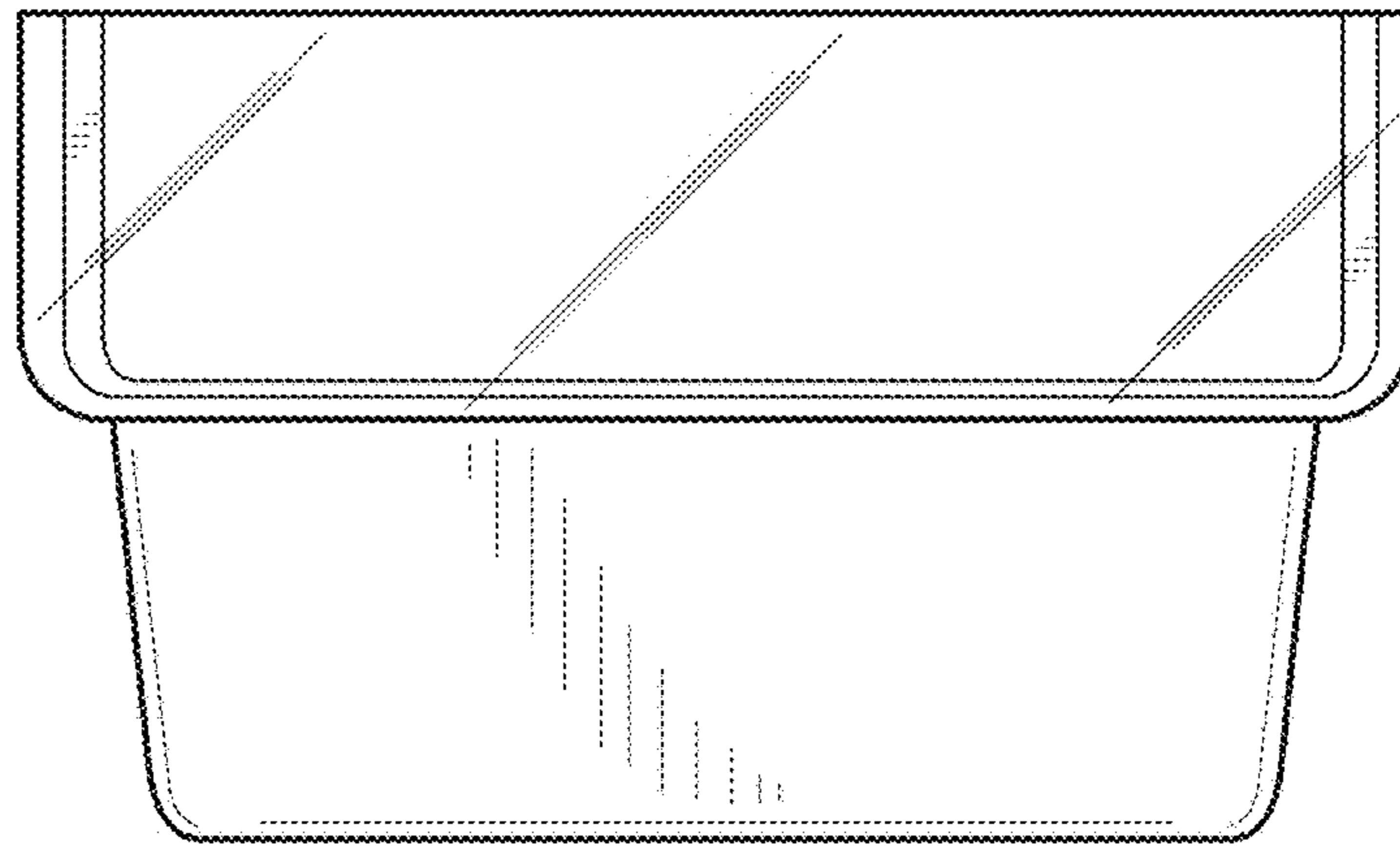


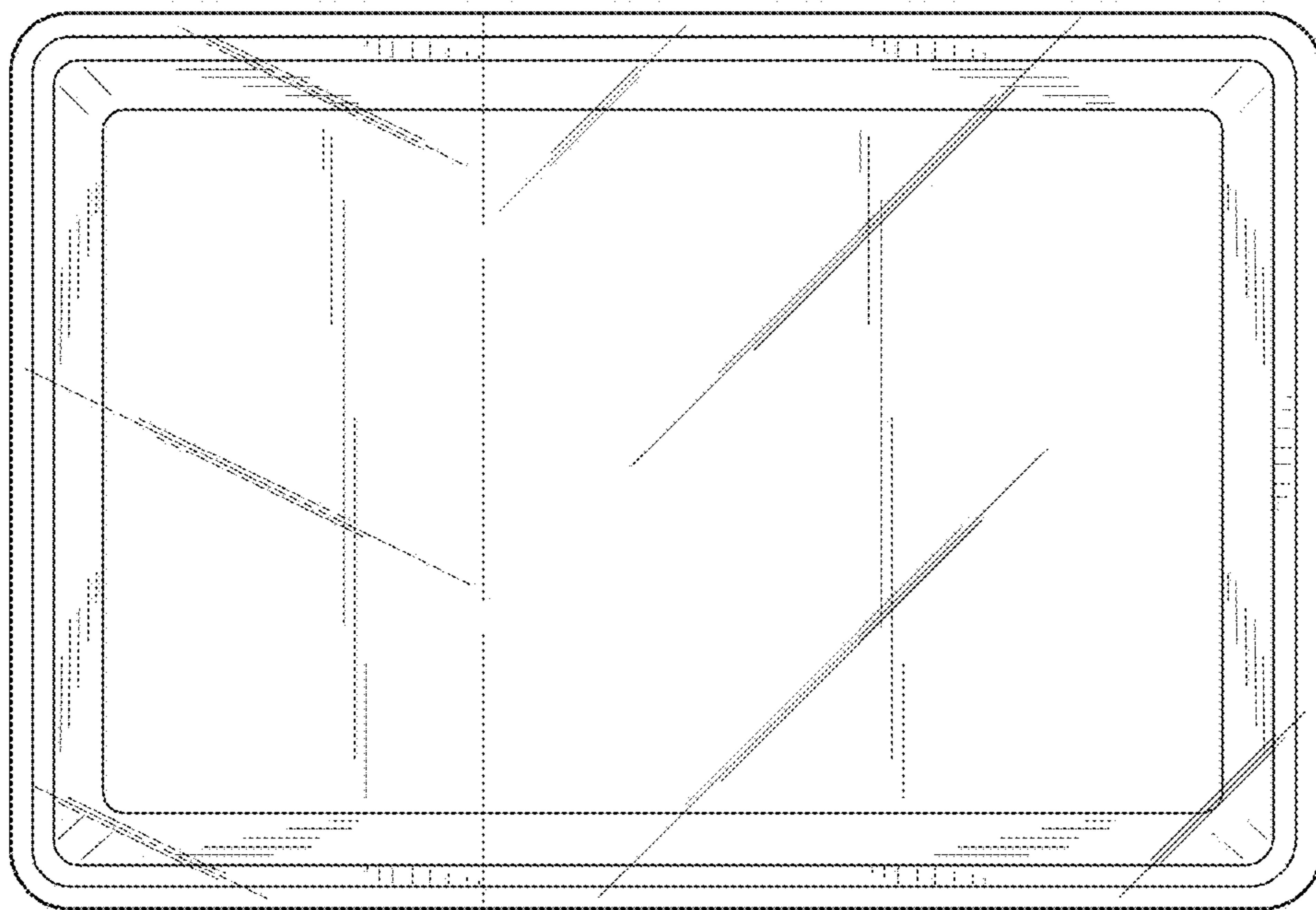
FIG. 1



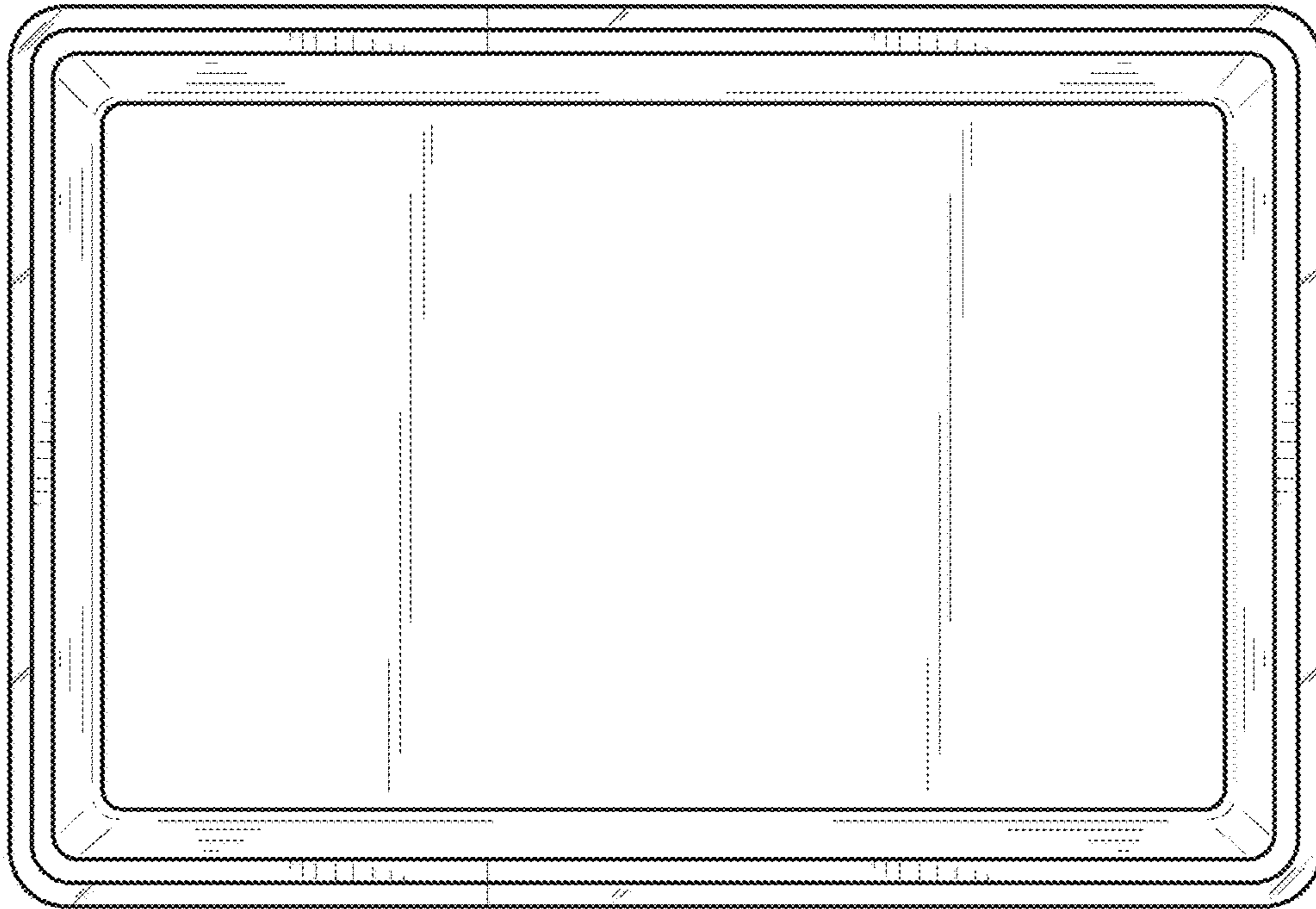
**FIG. 2**



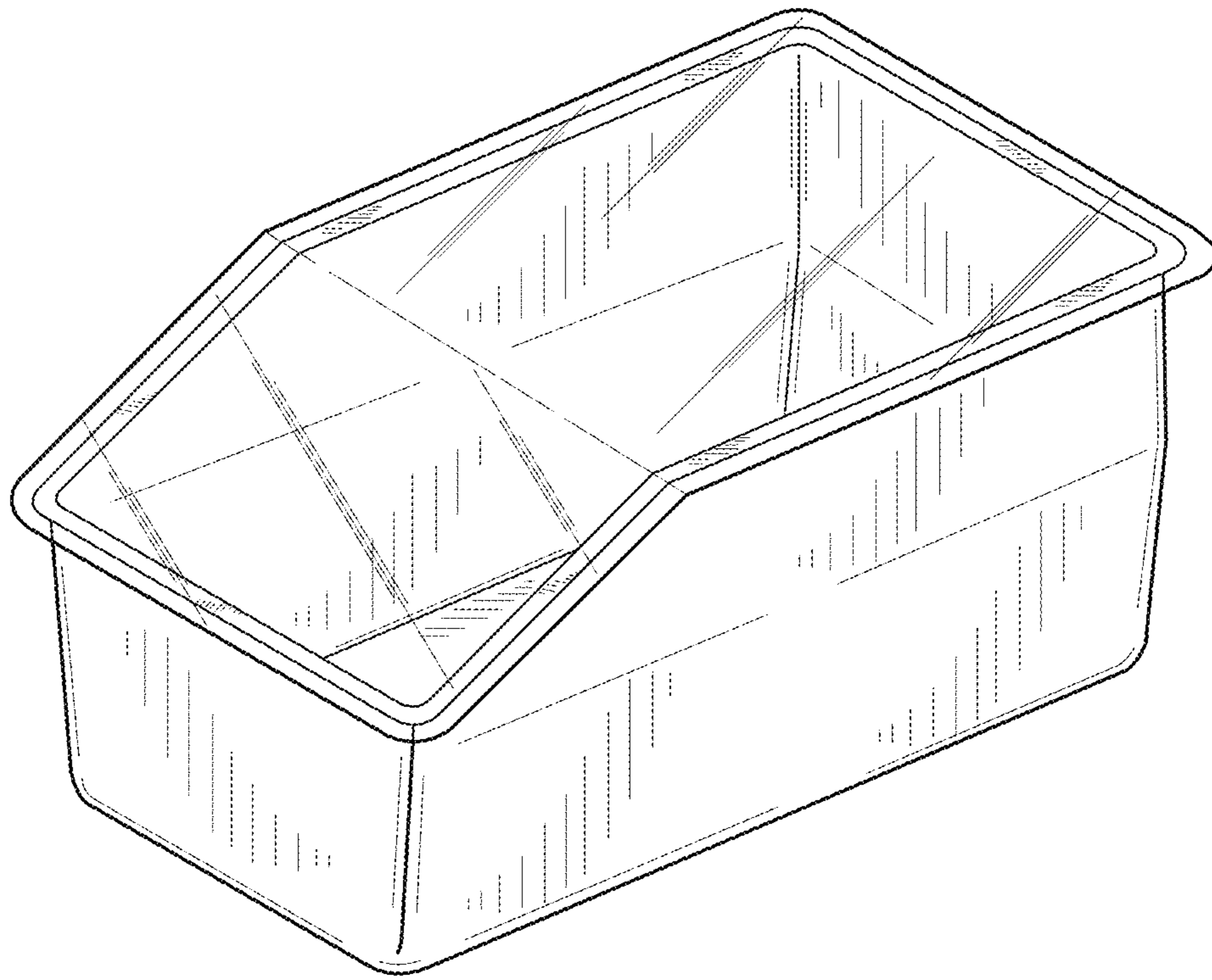
**FIG. 3**



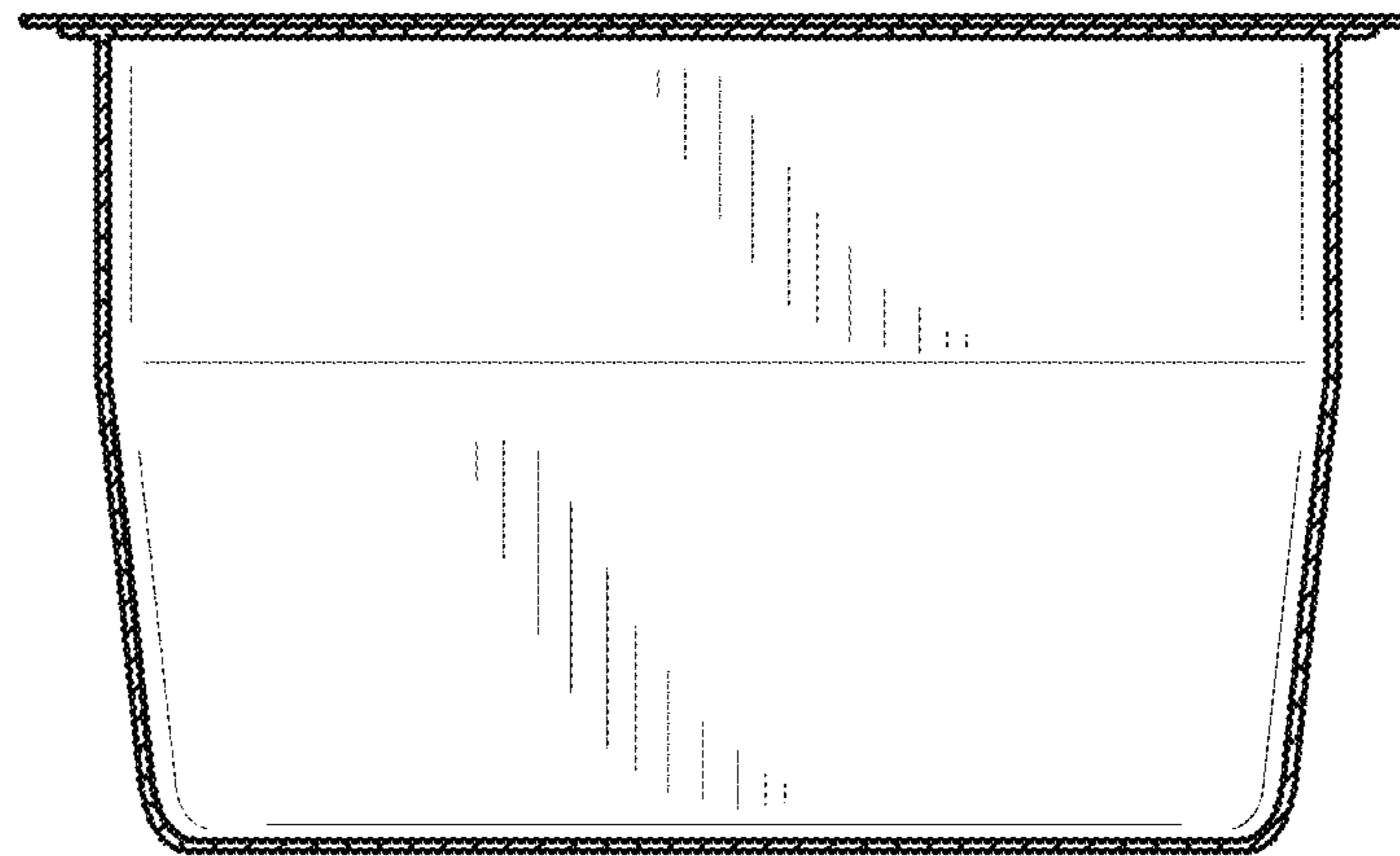
**FIG. 4**



**FIG. 5**

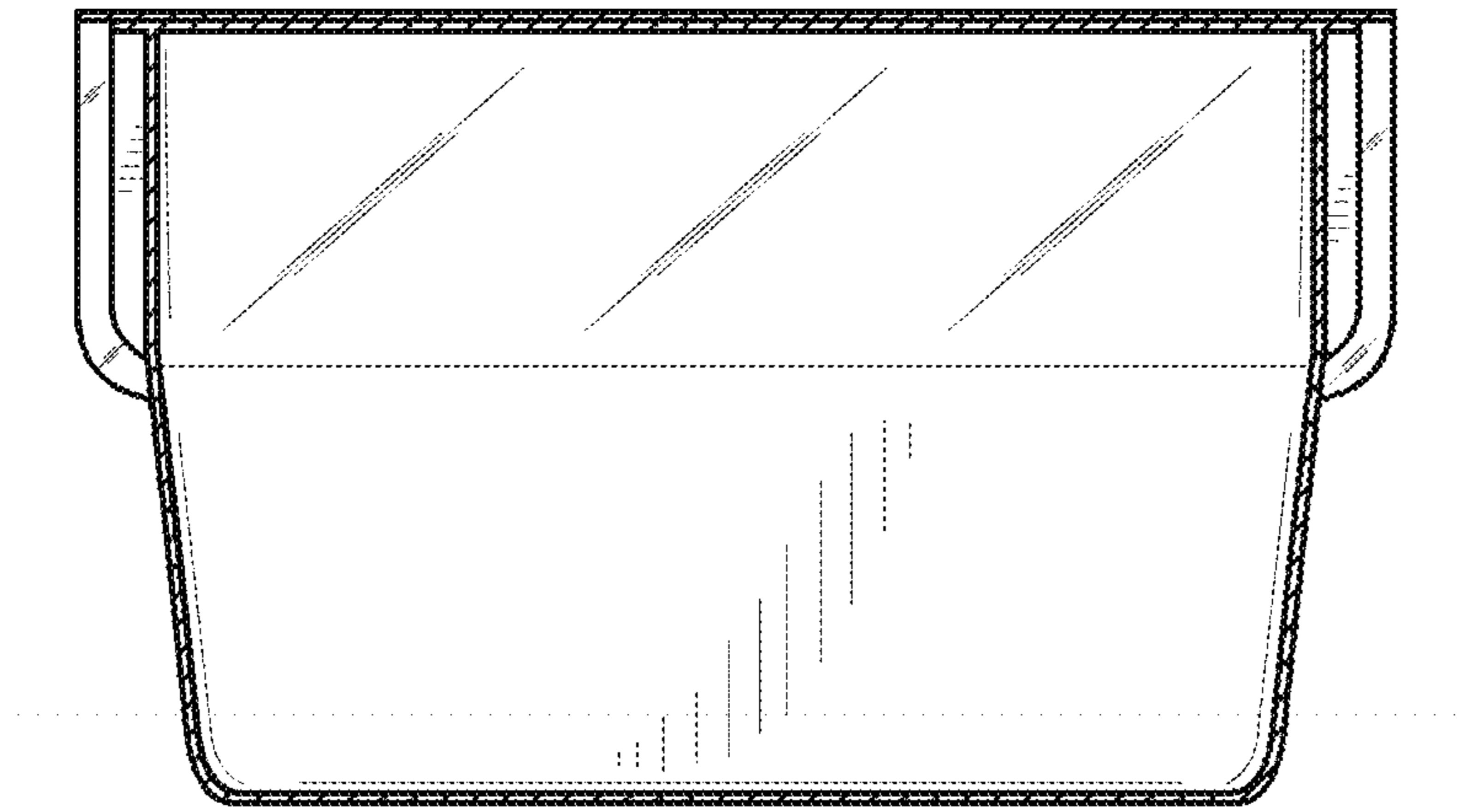


**FIG. 6**

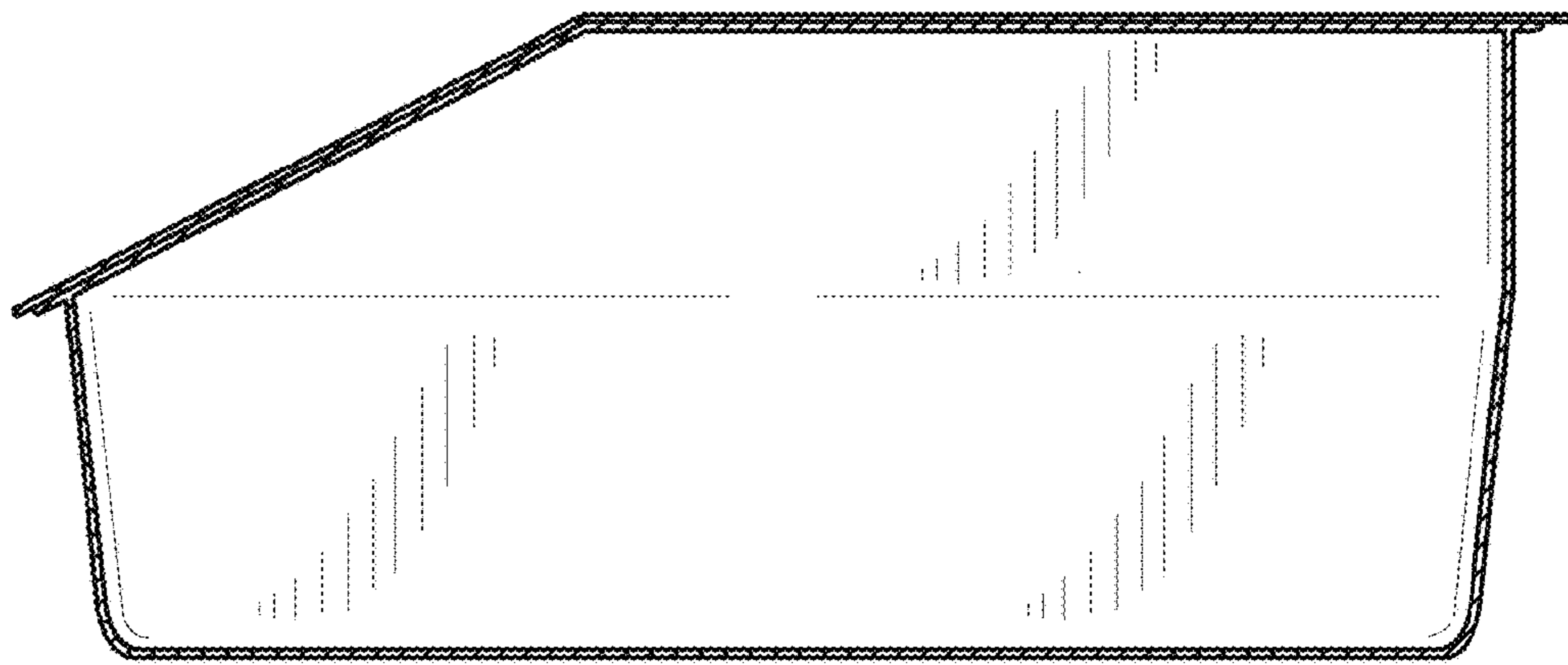


**FIG. 7**

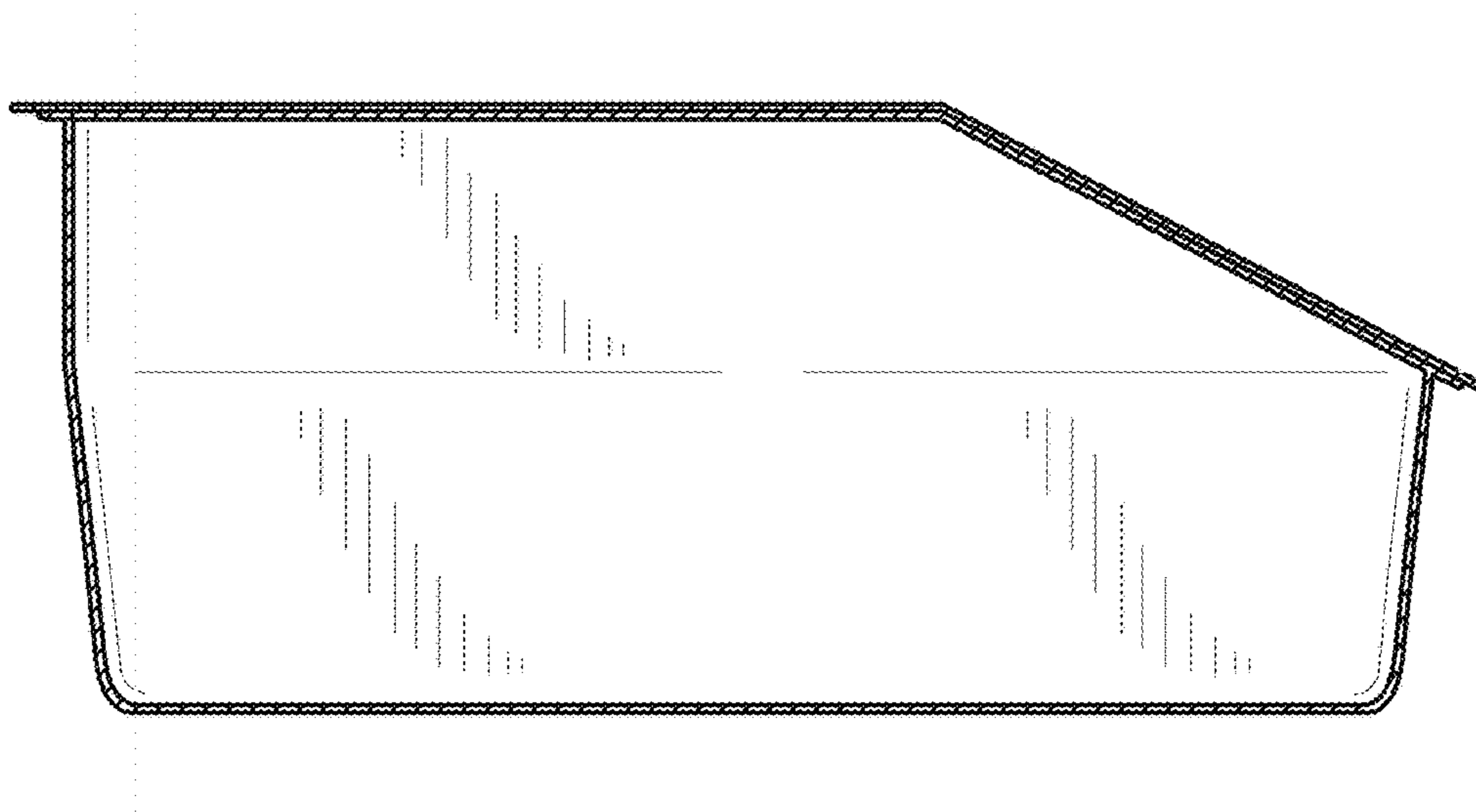




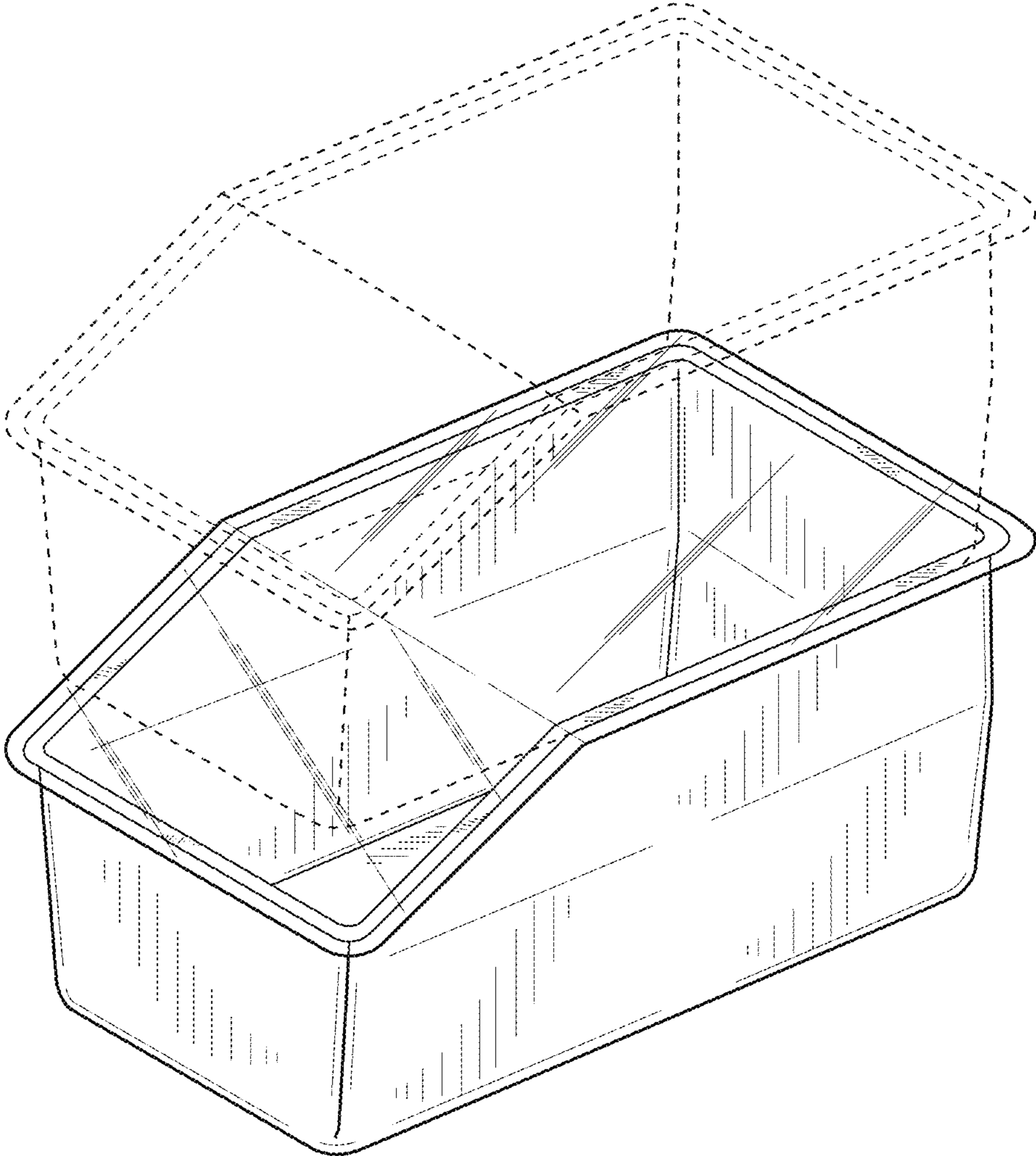
**FIG. 8**



**FIG. 9**



**FIG. 10**



**FIG. 11**