



US00D886578S

(12) **United States Design Patent**
Figgins

(10) **Patent No.:** **US D886,578 S**
(45) **Date of Patent:** **** Jun. 9, 2020**

(54) **PORTION OF A PACKING CONTAINER**

(71) Applicant: **Sonoco Plastics, Inc.**, Hartsville, SC
(US)

(72) Inventor: **Travis Figgins**, Wesley Chapel, FL
(US)

(73) Assignee: **Sonoco Plastics, Inc.**, Hartsville, SC
(US)

(**) Term: **15 Years**

(21) Appl. No.: **29/716,110**

(22) Filed: **Dec. 6, 2019**

Related U.S. Application Data

(62) Division of application No. 29/641,053, filed on Mar. 19, 2018, now Pat. No. Des. 870,553.

(51) **LOC (12) Cl.** **09-03**

(52) **U.S. Cl.**
USPC **D9/423**

(58) **Field of Classification Search**

USPC D9/414, 418, 420, 423, 424, 425, 426,
D9/430, 431, 432, 433, 438, 449, 629,
D9/711, 737; D7/546, 549, 538, 553,
D7/601, 602, 615, 701; 229/111, 112,
229/222, 230, 902, 904
CPC . B65D 5/00; B65D 5/66; B65D 5/325; B65D
5/5253; B65D 5/5246; B65D 5/6644;
B65D 1/34; B65D 81/3813; B65D
43/163; B65D 21/00

See application file for complete search history.

(56) **References Cited**

U.S. PATENT DOCUMENTS

D277,167 S 1/1985 Dart
5,860,530 A 1/1999 Simmons
D420,584 S 2/2000 Hopkins

D657,237 S 4/2012 Allers
D664,841 S 8/2012 Allers
D668,536 S 10/2012 Sanfilippo
D684,466 S 6/2013 Wichmann
D734,664 S 7/2015 Murphy
D742,219 S 11/2015 Murphy
D824,249 S 7/2018 Mei
D837,647 S 1/2019 Tamshe
D840,221 S 2/2019 Lam
D843,831 S 3/2019 Poorman
10,266,312 B2 4/2019 Fosse
D850,249 S 6/2019 D'Alessandro
D850,933 S 6/2019 Troudt
D870,553 S * 12/2019 Figgins D9/423
D871,208 S * 12/2019 Brock D9/423

(Continued)

Primary Examiner — Wan Laymon

Assistant Examiner — Clint A Samuel

(74) *Attorney, Agent, or Firm* — Fish & Richardson P.C.

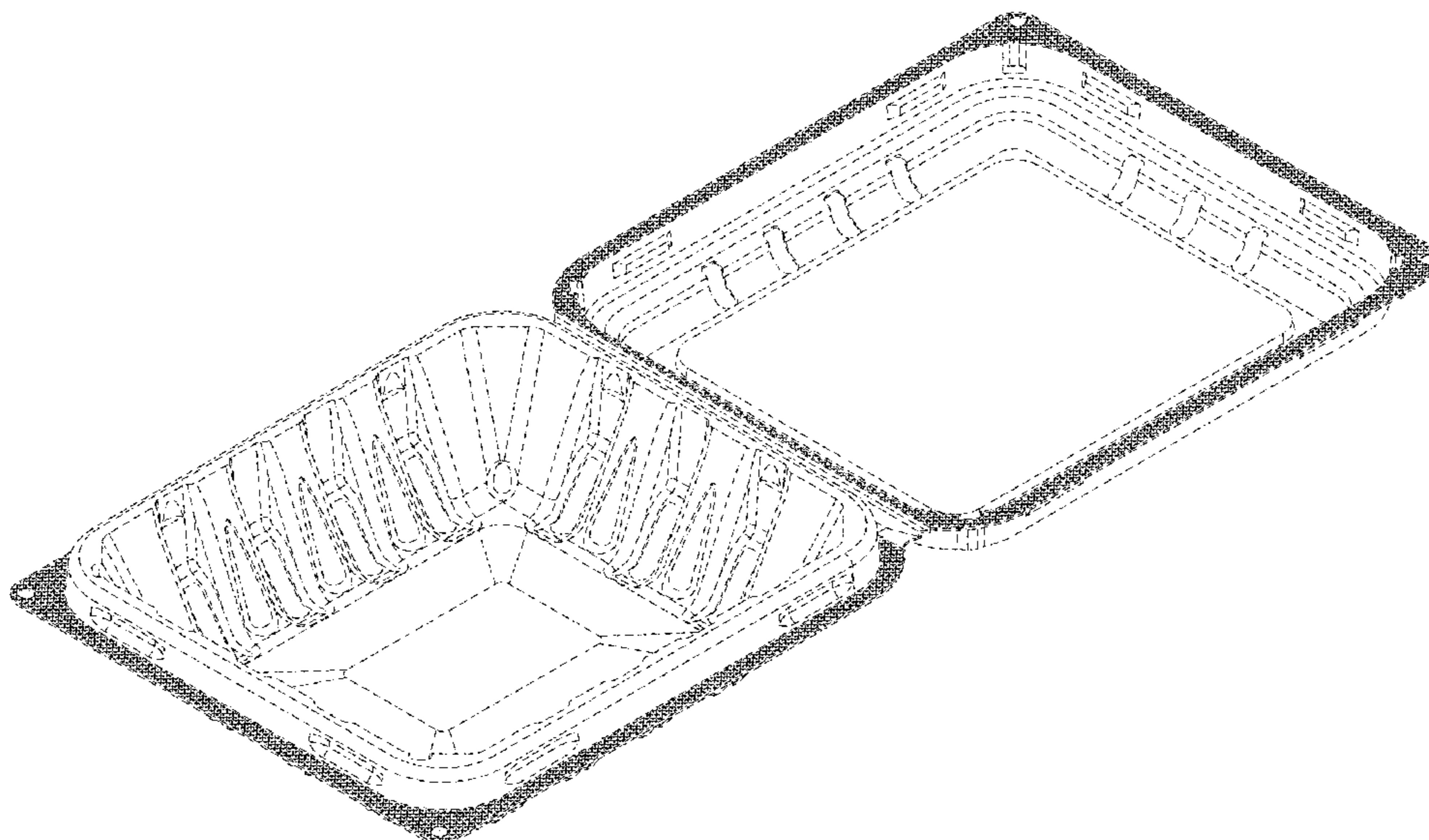
(57) **CLAIM**

The ornamental design for a portion of a packing container, as shown and described.

DESCRIPTION

FIG. 1 is a top perspective view of a portion of a packing container showing my design;
FIG. 2 is a top view of FIG. 1;
FIG. 3 is a bottom view of FIG. 1;
FIG. 4 is a (left/right) side view of FIG. 1;
FIG. 5 is a front view of FIG. 1;
FIG. 6 is a back view of FIG. 1;
FIG. 7 is a detailed top view of FIG. 1 attached to the packing container, corresponding to the section marked in FIG. 2; and,
FIG. 8 is a detailed profile (left/right/front/back) view of FIG. 1 attached to the packing container, corresponding to the section marked in FIG. 4.
The broken lines illustrate environmental features that form no part of the claimed design.

1 Claim, 7 Drawing Sheets



(56)

References Cited

U.S. PATENT DOCUMENTS

D873,656 S * 1/2020 Wouters D9/426
2019/0283949 A1 * 9/2019 Figgins B65D 1/34
2020/0071037 A1 * 3/2020 Epstein B65D 65/42

* cited by examiner

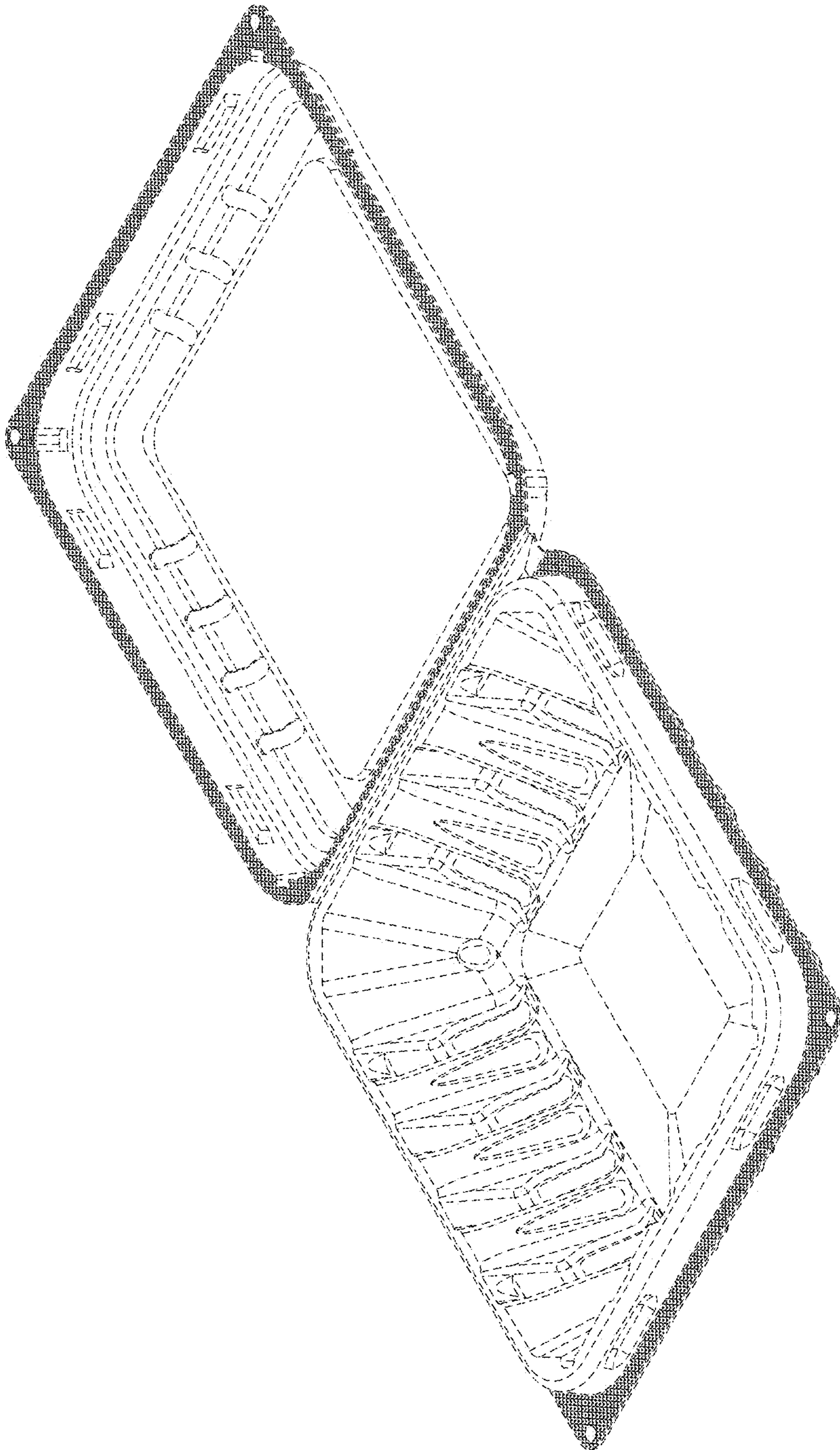


FIG. 1

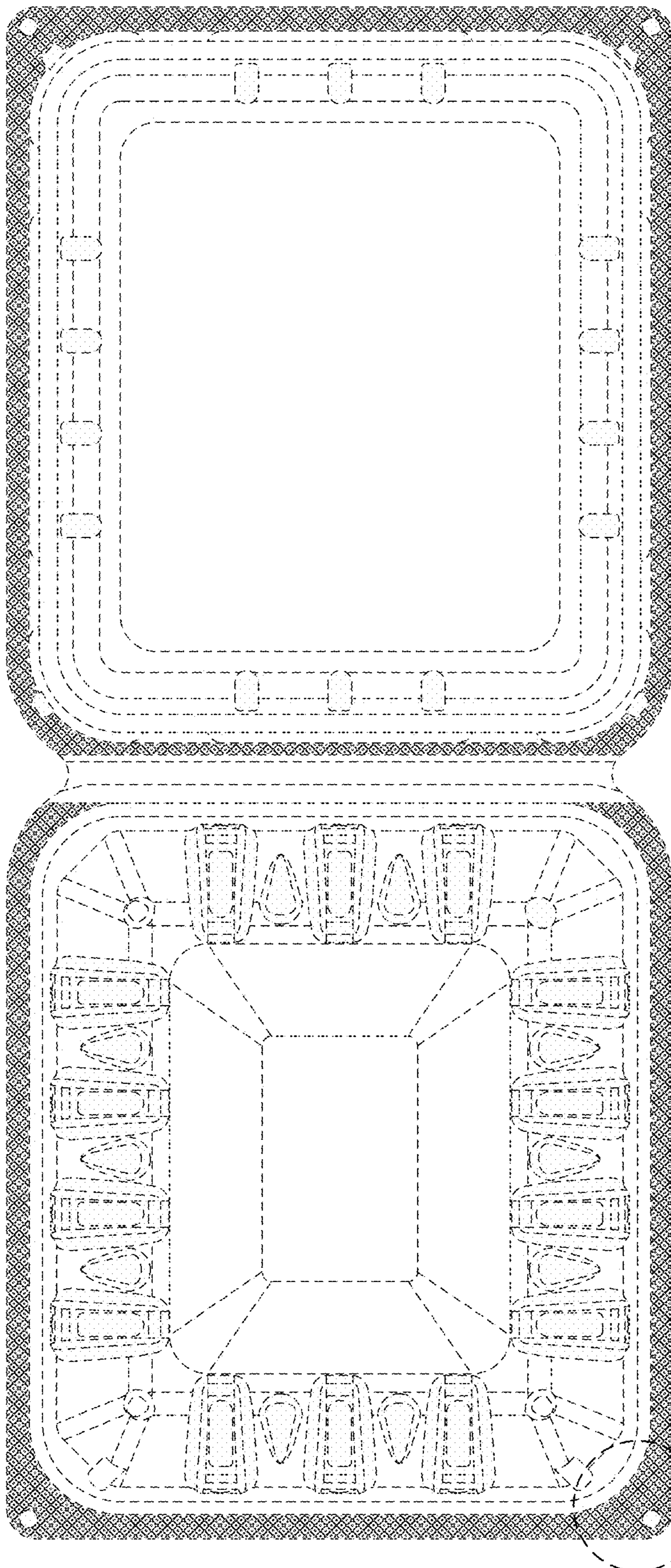


FIG. 2

7

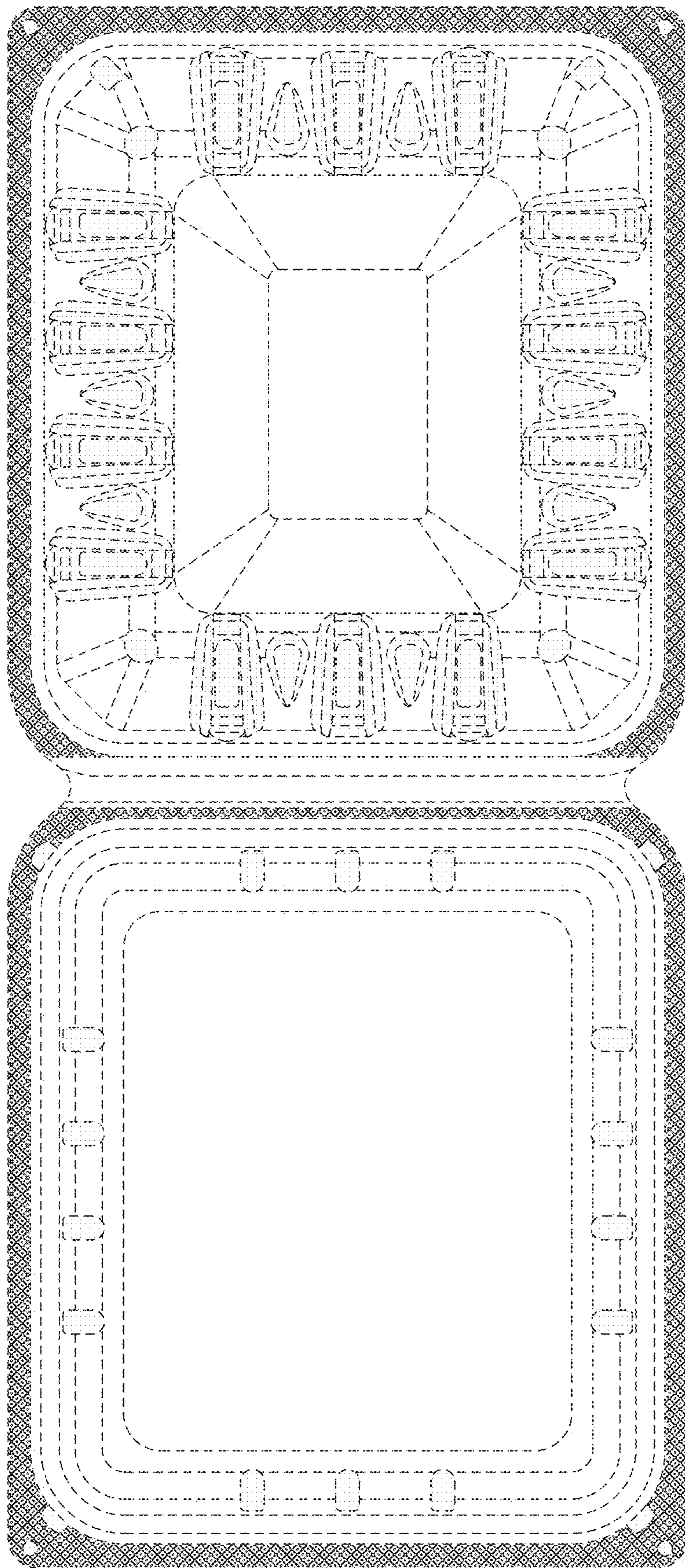


FIG. 3

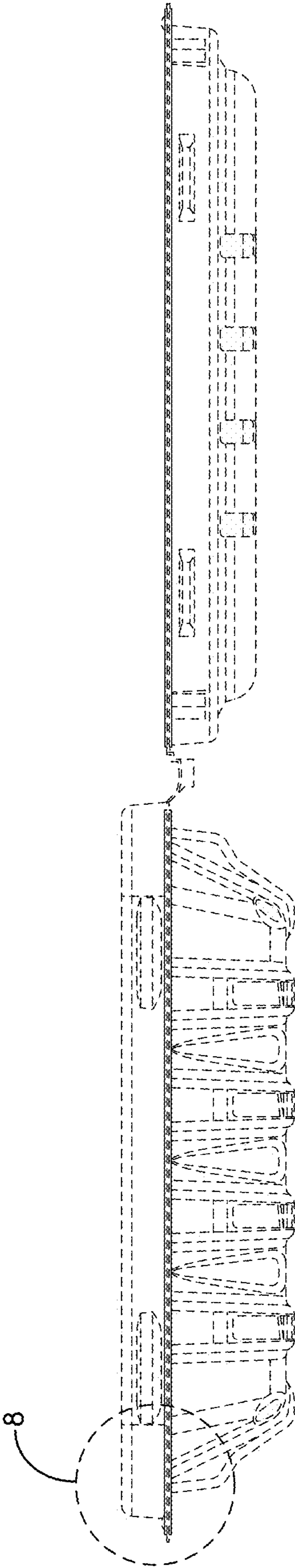


FIG. 4

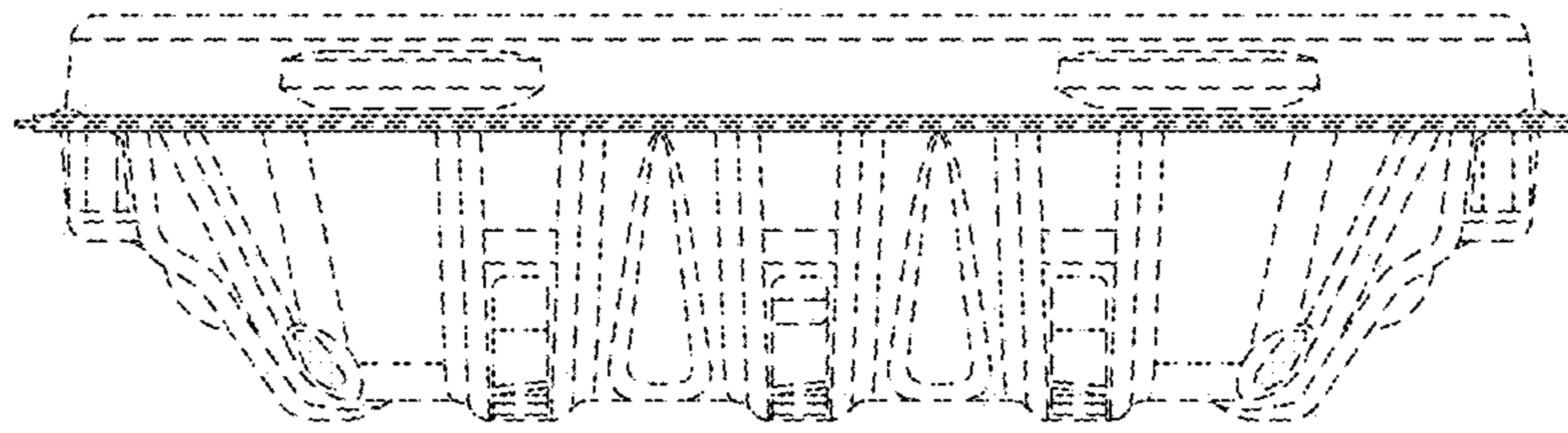


FIG. 5

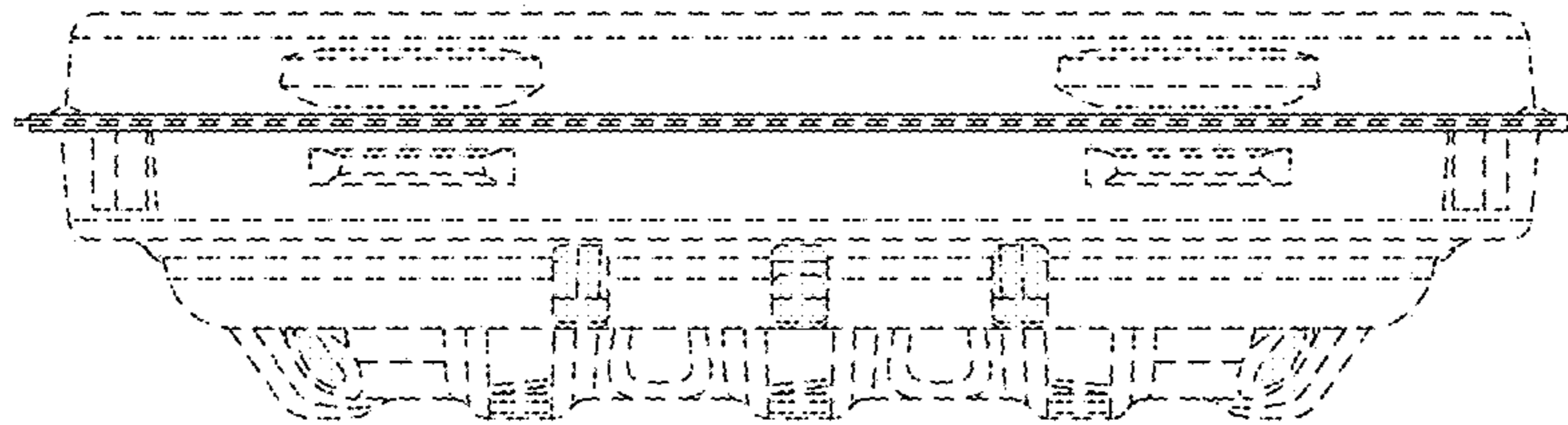


FIG. 6

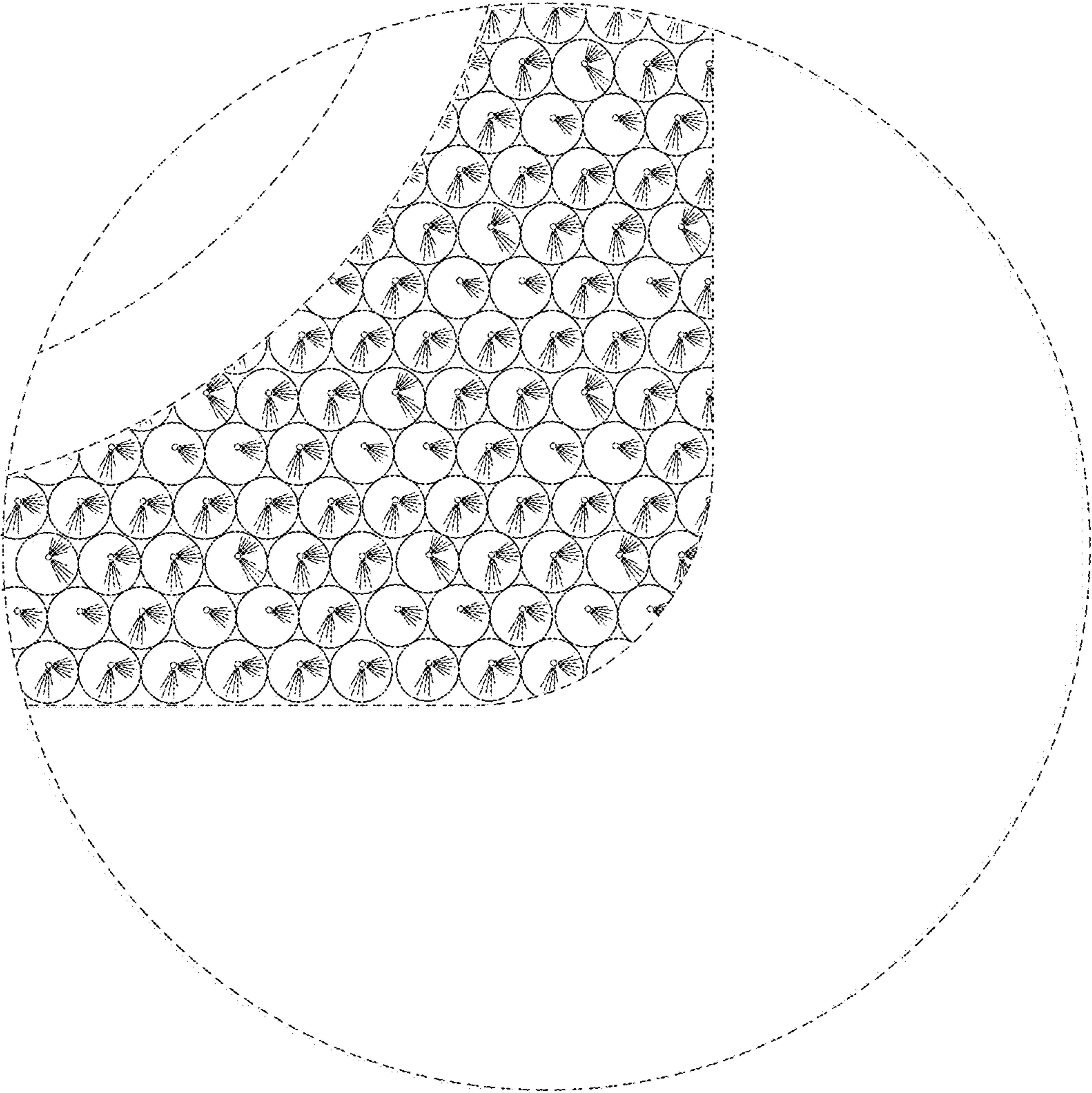


FIG. 7

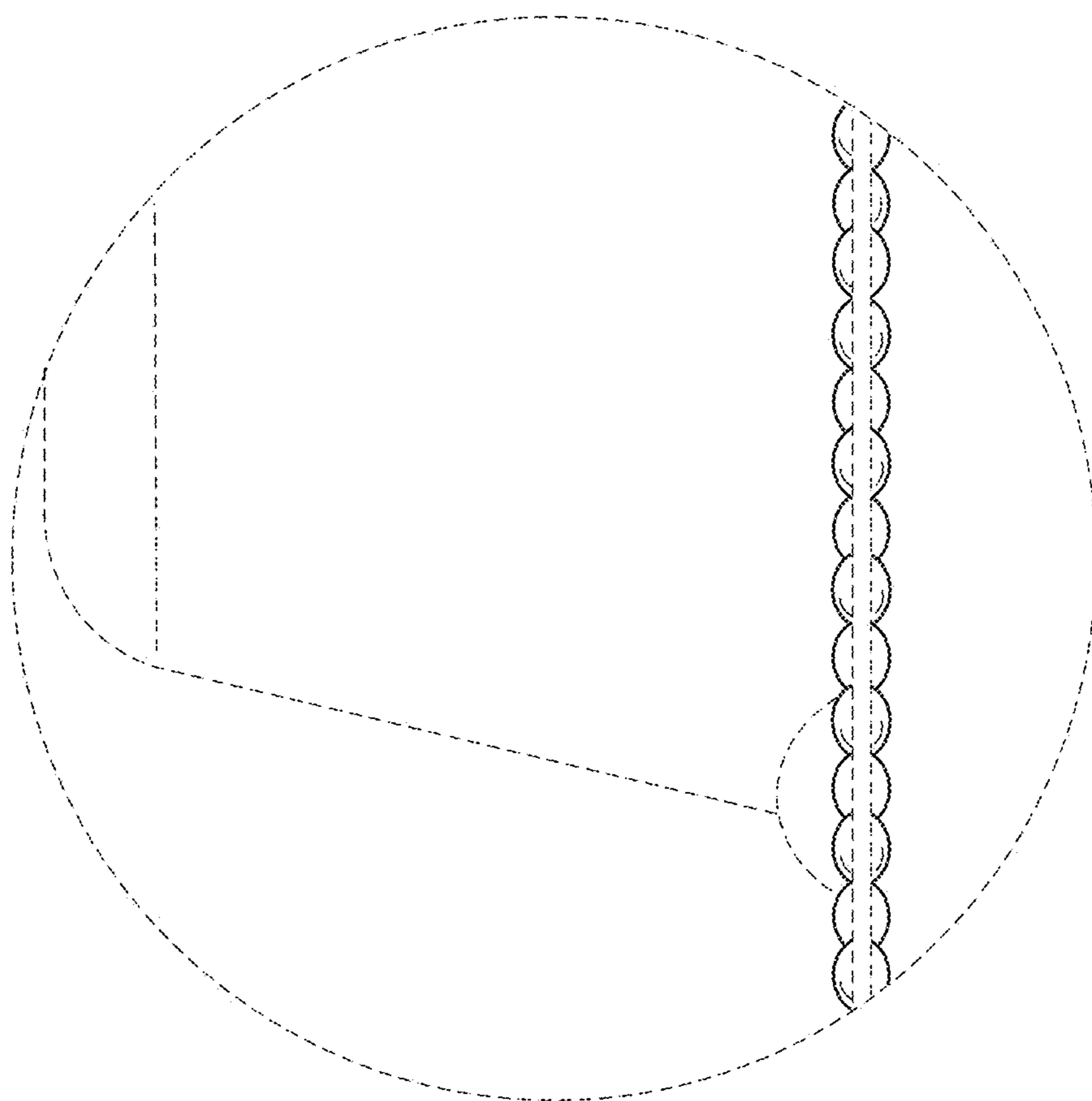


FIG. 8