



US00D886575S

(12) **United States Design Patent**
Lai et al.

(10) **Patent No.:** **US D886,575 S**
(45) **Date of Patent:** **** Jun. 9, 2020**

- (54) **MOLDED PULP CUP LID**
- (71) Applicant: **Foshan City Meiwanbang Technology Co., Ltd.**, Foshan, Guangdong Province (CN)
- (72) Inventors: **Tzung-Shen Lai**, Yilan (TW); **Ri-Hua Rao**, Guangdong Province (CN)
- (73) Assignee: **Foshan City Meiwanbang Technology Co. Ltd.**, Guangdong Province (CN)
- (**) Term: **15 Years**
- (21) Appl. No.: **29/649,935**
- (22) Filed: **Jun. 4, 2018**
- (51) **LOC (12) Cl.** **09-03**
- (52) **U.S. Cl.**
USPC **D9/417**
- (58) **Field of Classification Search**
USPC D9/414, 415, 417, 434, 435, 440, 447, D9/449, 452, 453; D7/300, 602, 619.1, D7/900
CPC A47G 19/22; A47G 19/2266; A47G 19/2272; B65D 2543/00018; B65D 2543/00046; B64D 47/0857
See application file for complete search history.

(56) **References Cited**

U.S. PATENT DOCUMENTS

- D417,845 S * 12/1999 Sadlier D7/511
- D476,566 S * 7/2003 Smith D9/447
- 6,644,490 B2 * 11/2003 Clarke B65D 43/0212
220/254.1
- D485,758 S * 1/2004 Clarke D9/447
- D489,260 S * 5/2004 Smith D9/447
- D570,686 S * 6/2008 Hollis D9/447
- D592,056 S * 5/2009 Tedford, Jr. D9/447
- D614,954 S * 5/2010 Crowell D9/447
- D635,855 S * 4/2011 Smith D9/447

- D696,940 S * 1/2014 Hale D9/447
- D700,512 S * 3/2014 Daniel D9/447
- D709,366 S * 7/2014 Fleming D9/435
- D721,584 S * 1/2015 Koennecke D9/447
- D722,873 S * 2/2015 Wu D9/447
- 9,113,733 B2 * 8/2015 Wu B65D 47/0847
- D752,436 S * 3/2016 Crudgington D9/434
- D816,495 S * 5/2018 Chou D9/447
- D855,391 S * 8/2019 Oakes D7/396.2
- 2010/0288769 A1 * 11/2010 Cheng B65D 43/0202
220/259.4

(Continued)

Primary Examiner — Wan Laymon

Assistant Examiner — Clint A Samuel

(74) *Attorney, Agent, or Firm* — Alan D. Kamrath; Karin L. Williams; Mayer & Williams PC

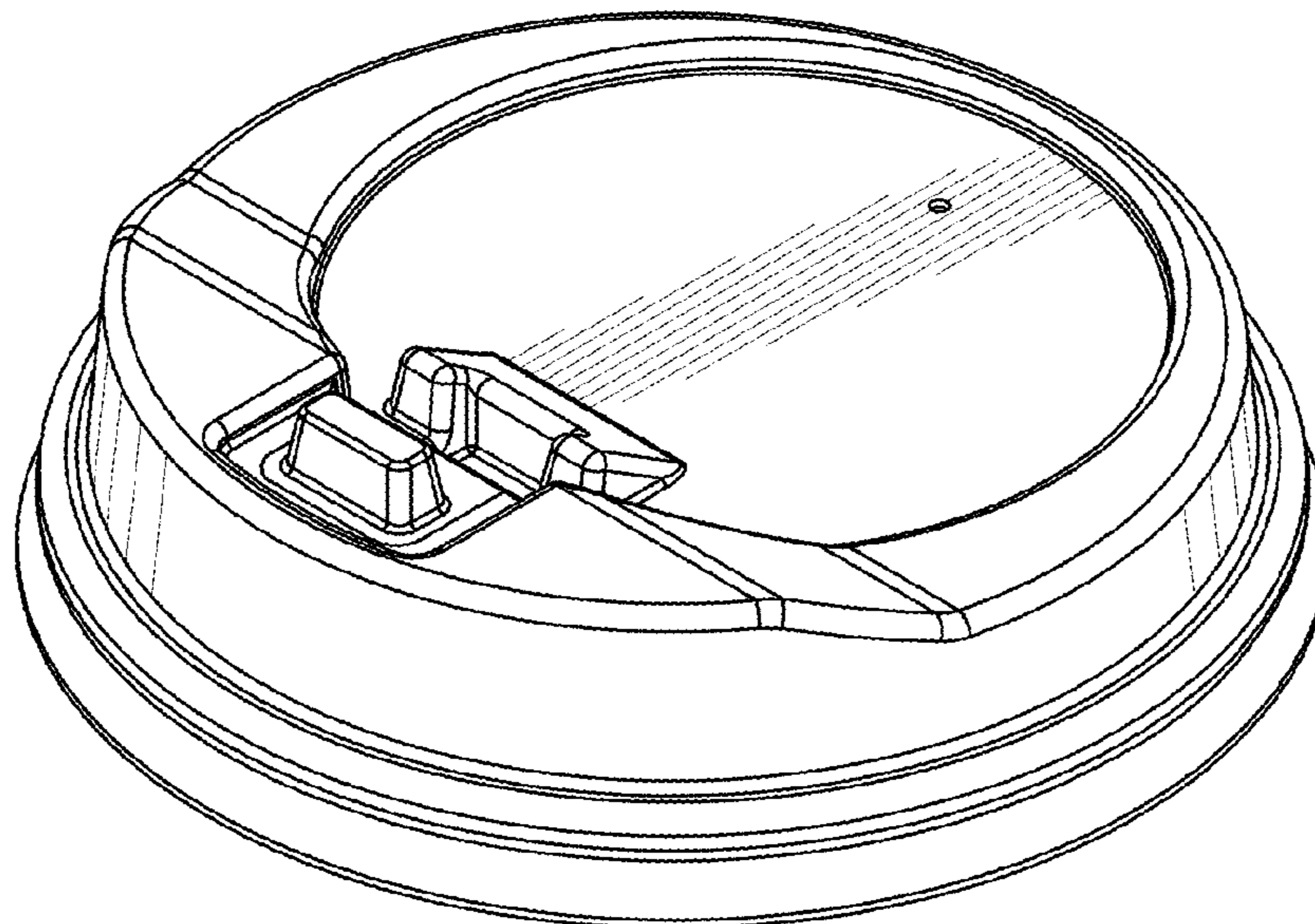
(57) **CLAIM**

The ornamental design for a molded pulp cup lid, as shown and described.

DESCRIPTION

FIG. 1 is a first perspective view of the molded pulp cup lid showing my new design;
 FIG. 2 is a front view thereof;
 FIG. 3 is a rear view thereof;
 FIG. 4 is a left side view thereof;
 FIG. 5 is a right side view thereof;
 FIG. 6 is a top view thereof;
 FIG. 7 is a bottom view thereof;
 FIG. 8 is a second perspective view thereof;
 FIG. 9 is an enlarged section view thereof, taken along line 9-9 of FIG. 6;
 FIG. 10 is a first reference view when in use thereof; and,
 FIG. 11 is an enlarged second reference view when in use, taken along line 11-11 of FIG. 10.
 The broken line showing in the drawings is included for the purpose of illustrating unclaimed portions of the molded pulp cup lid and forms no part of the claimed design.

1 Claim, 8 Drawing Sheets



(56)

References Cited

U.S. PATENT DOCUMENTS

2017/0369214 A1 * 12/2017 Seidler B65D 47/0823

* cited by examiner

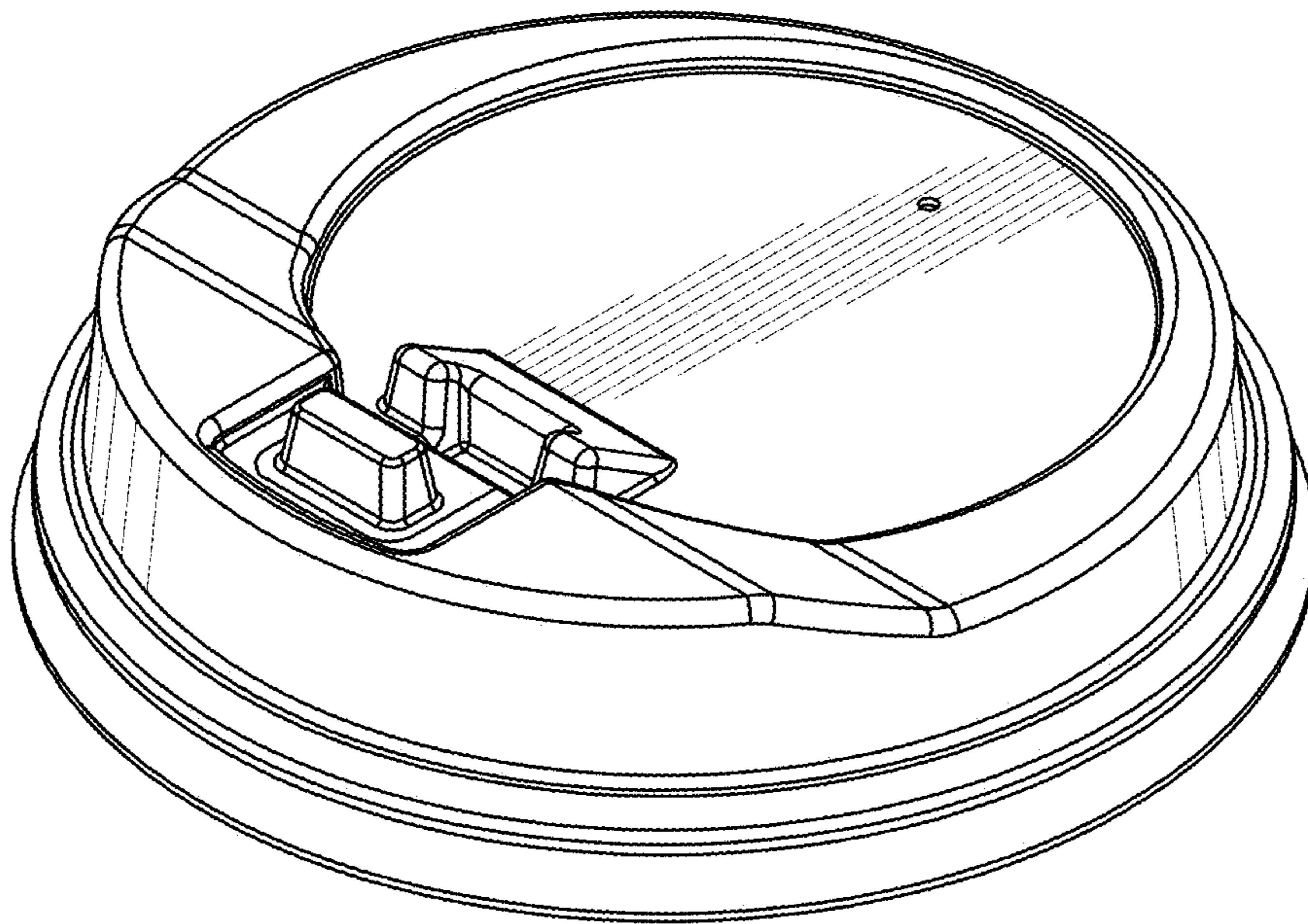


FIG. 1

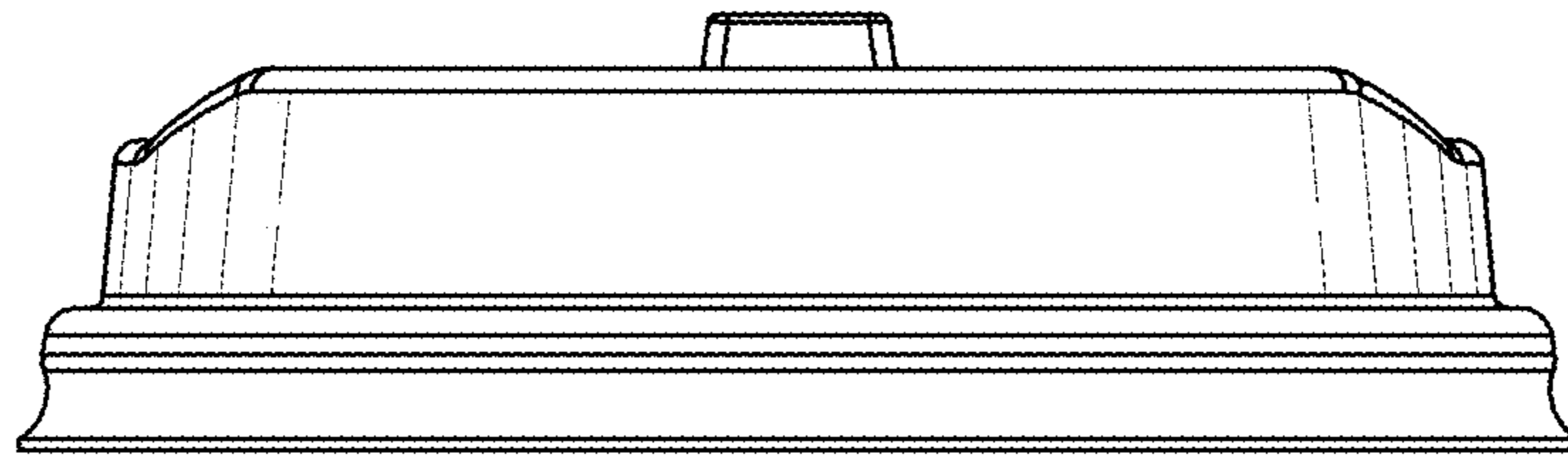


FIG. 2

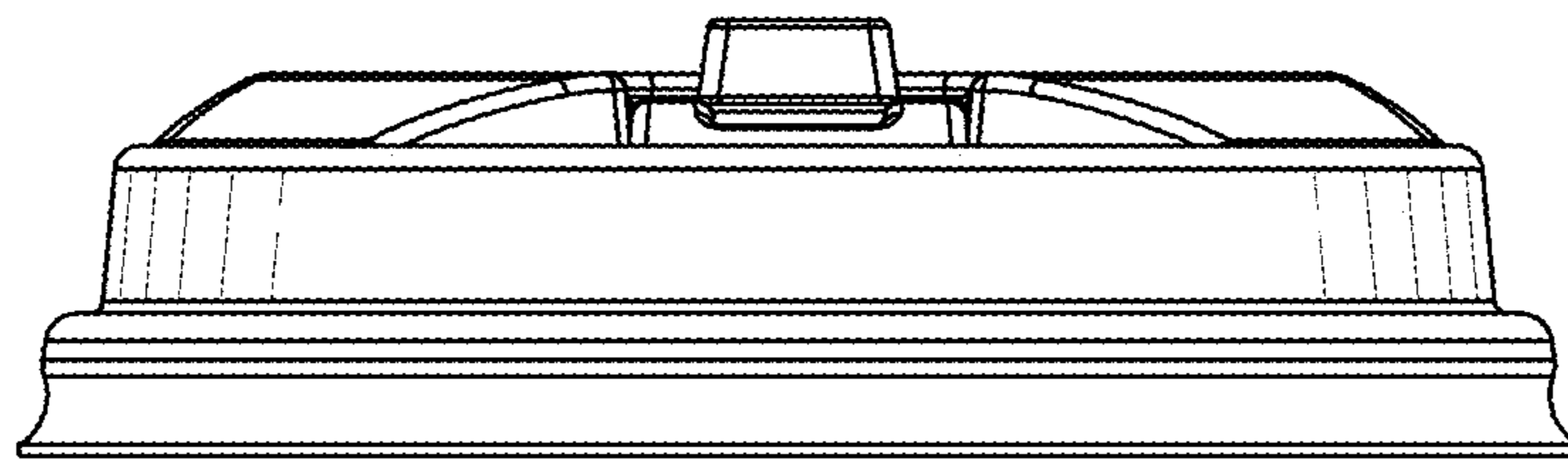


FIG. 3

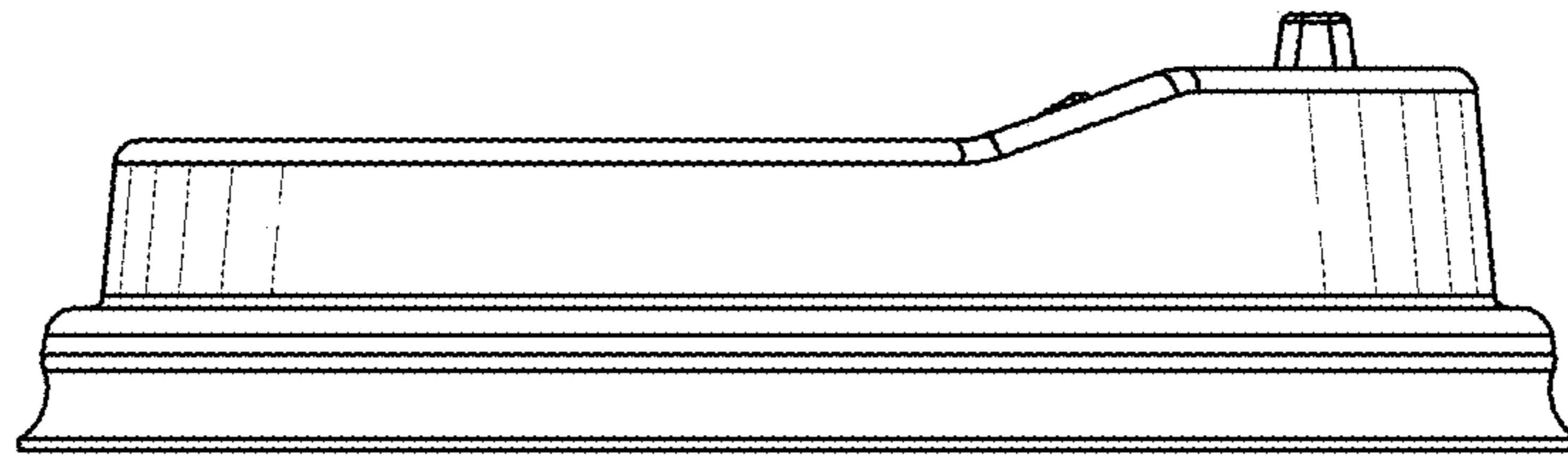


FIG. 4

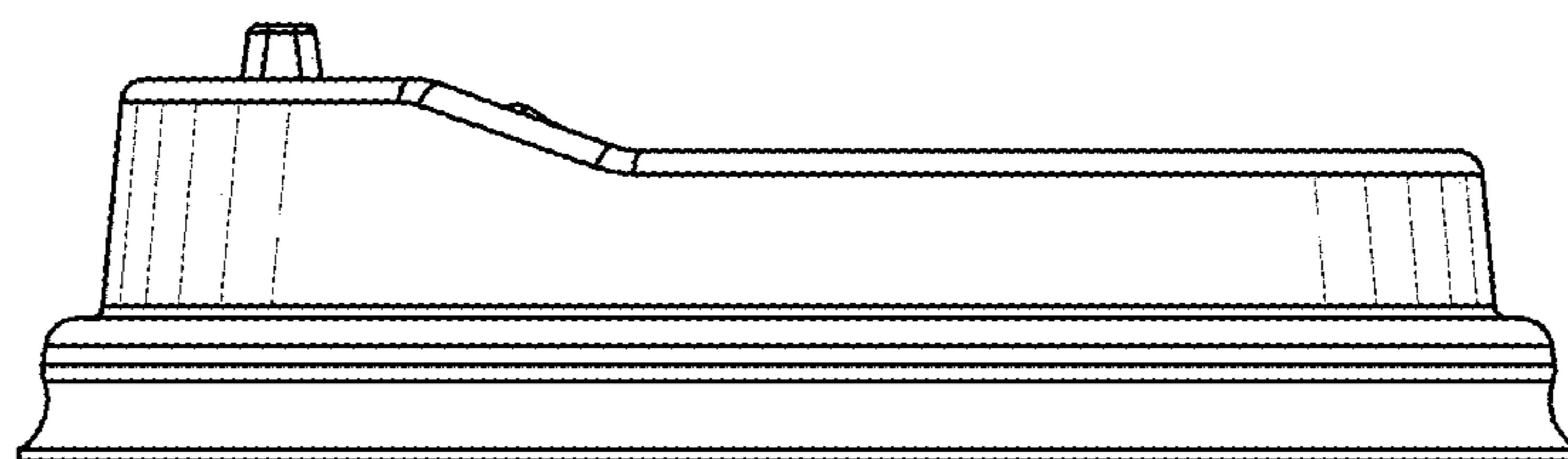


FIG. 5

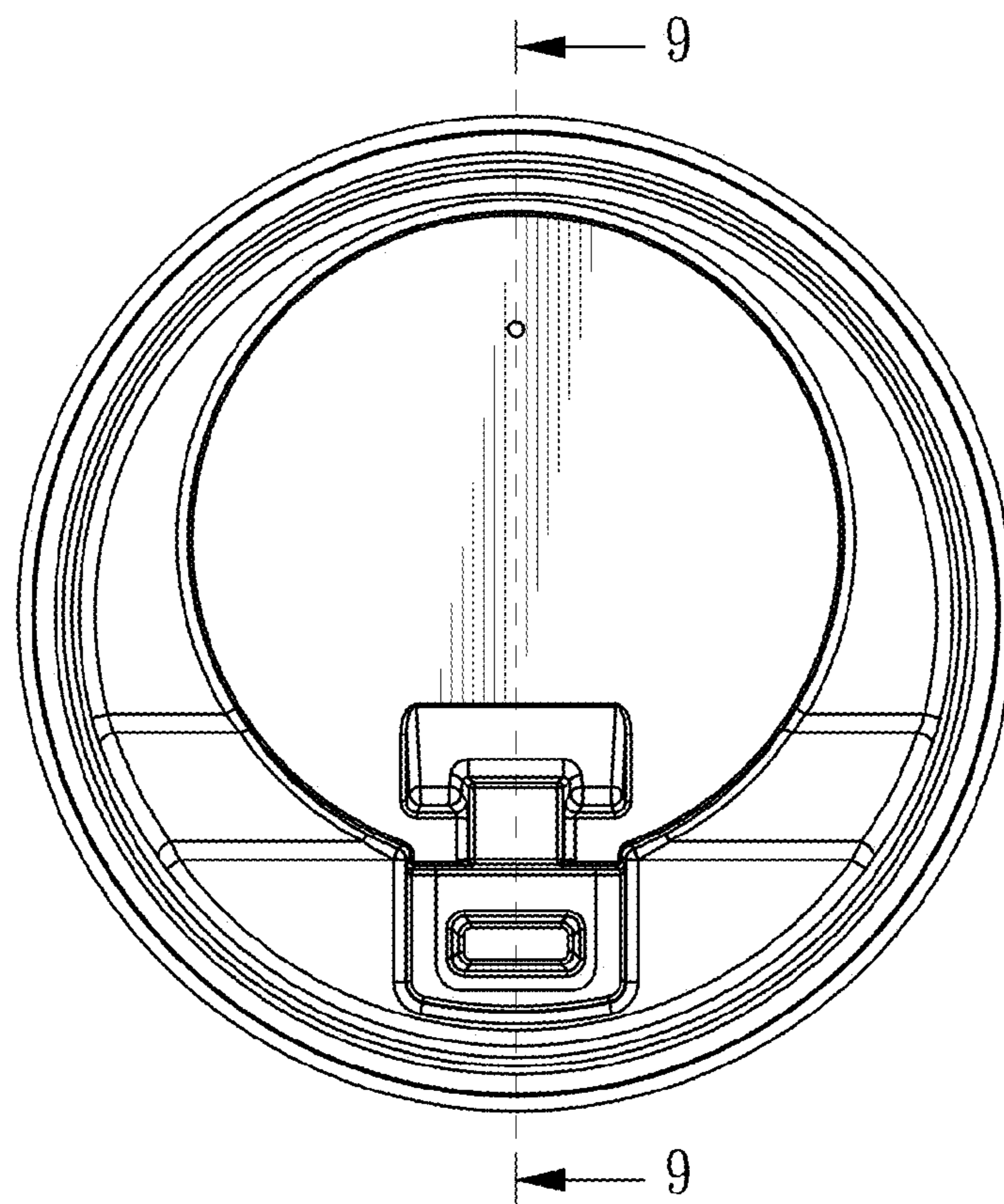


FIG. 6

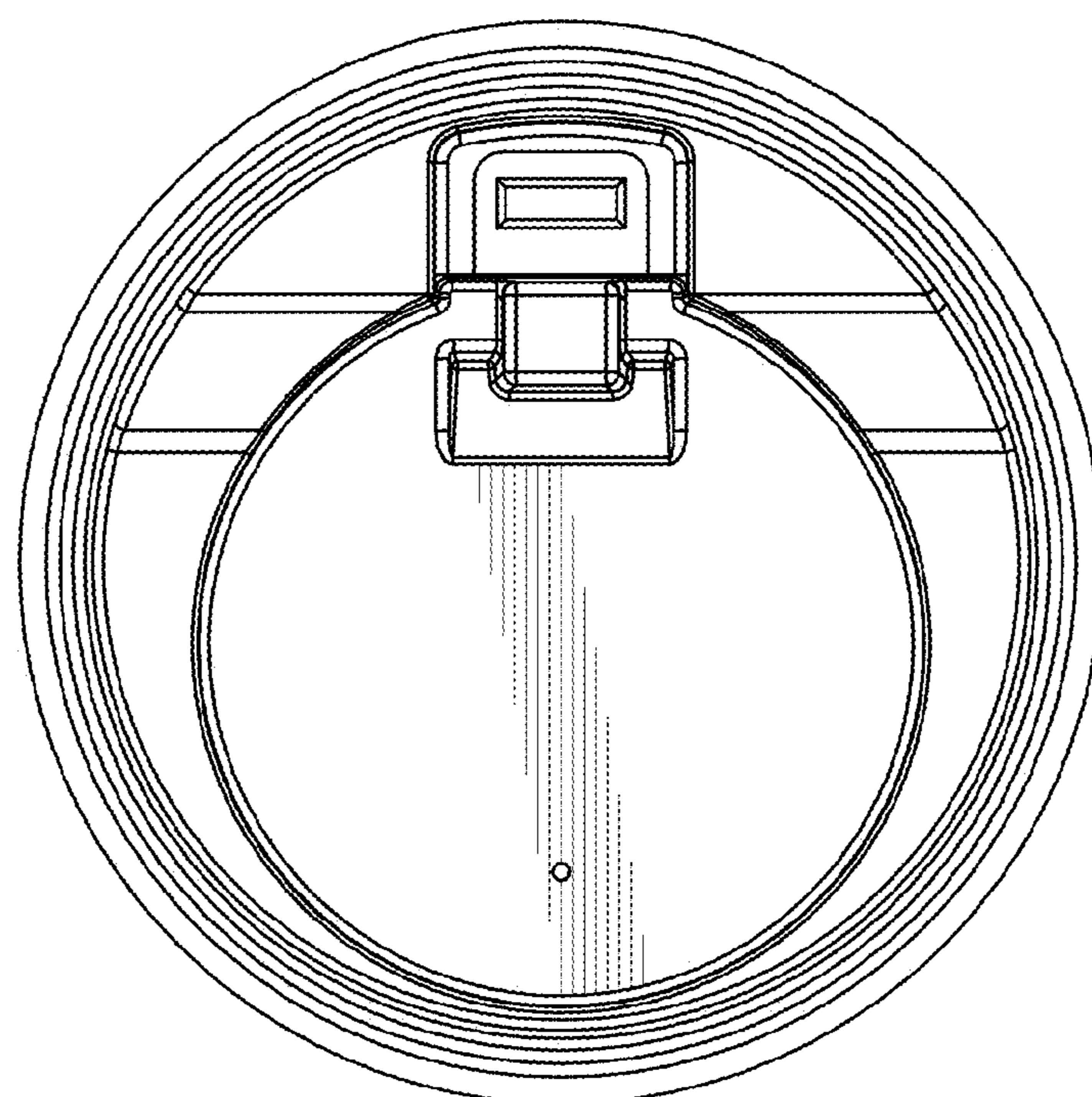


FIG. 7

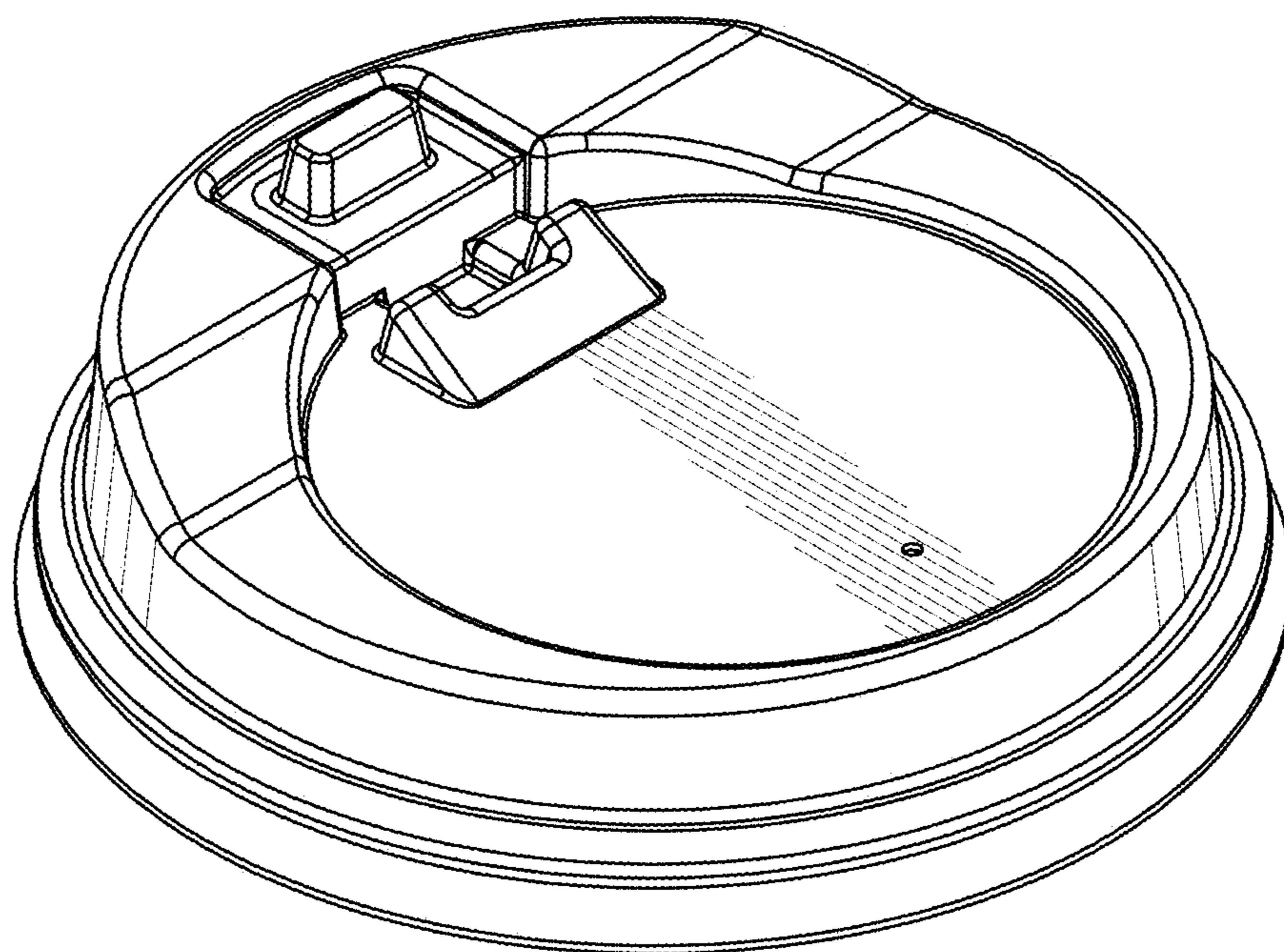


FIG. 8

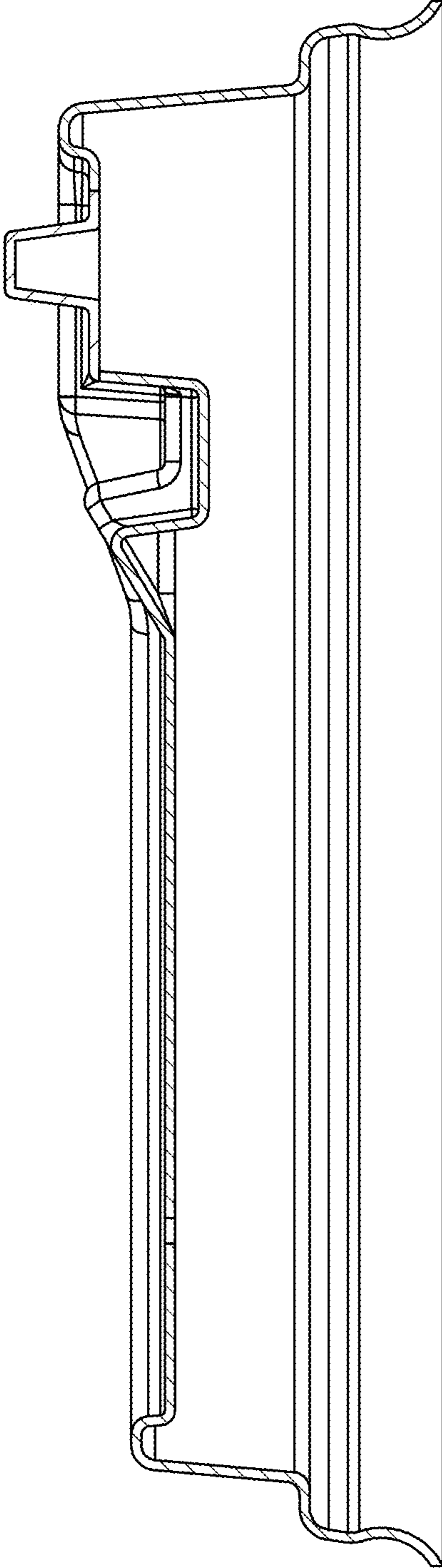


FIG. 9

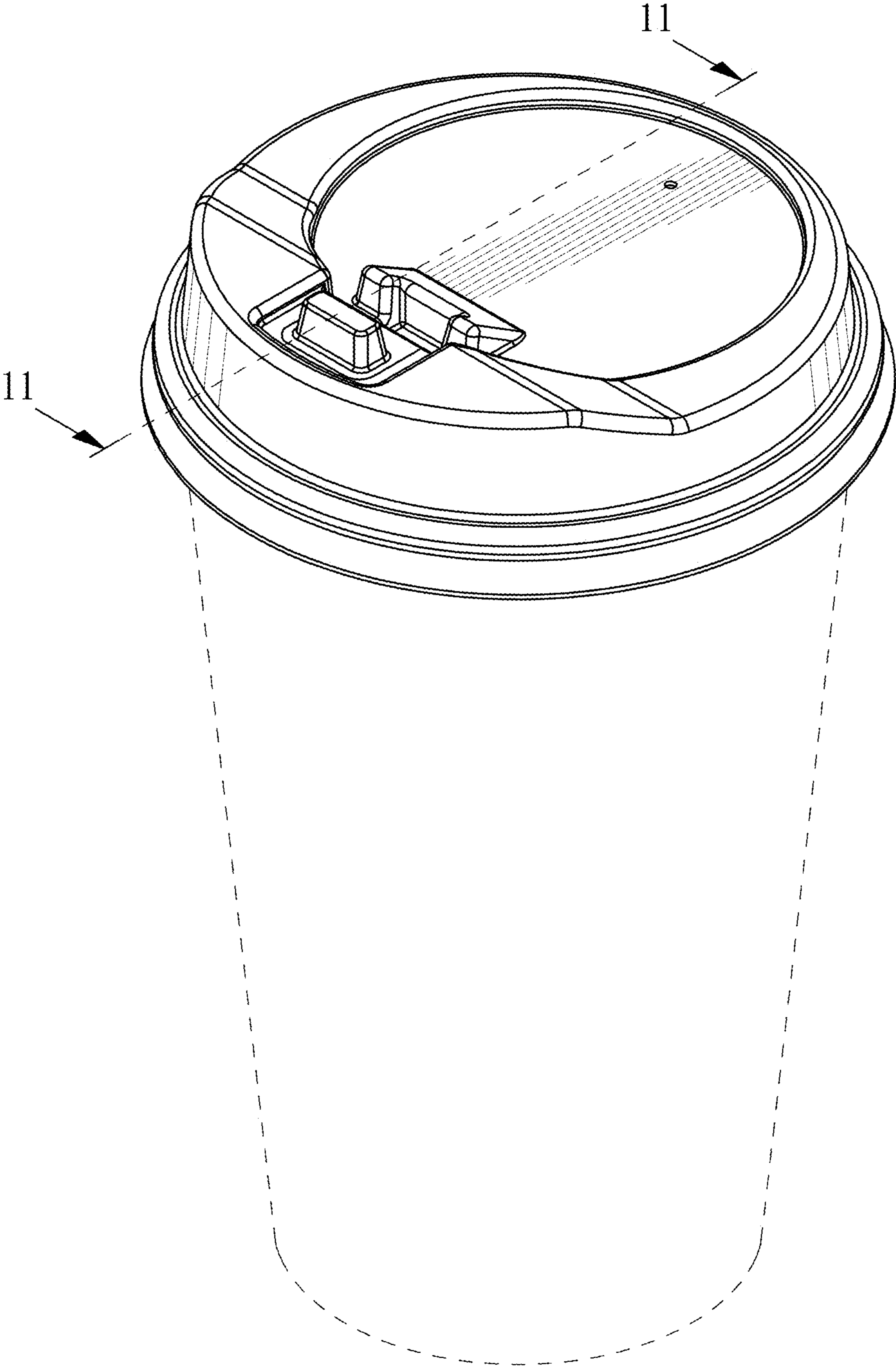


FIG. 10

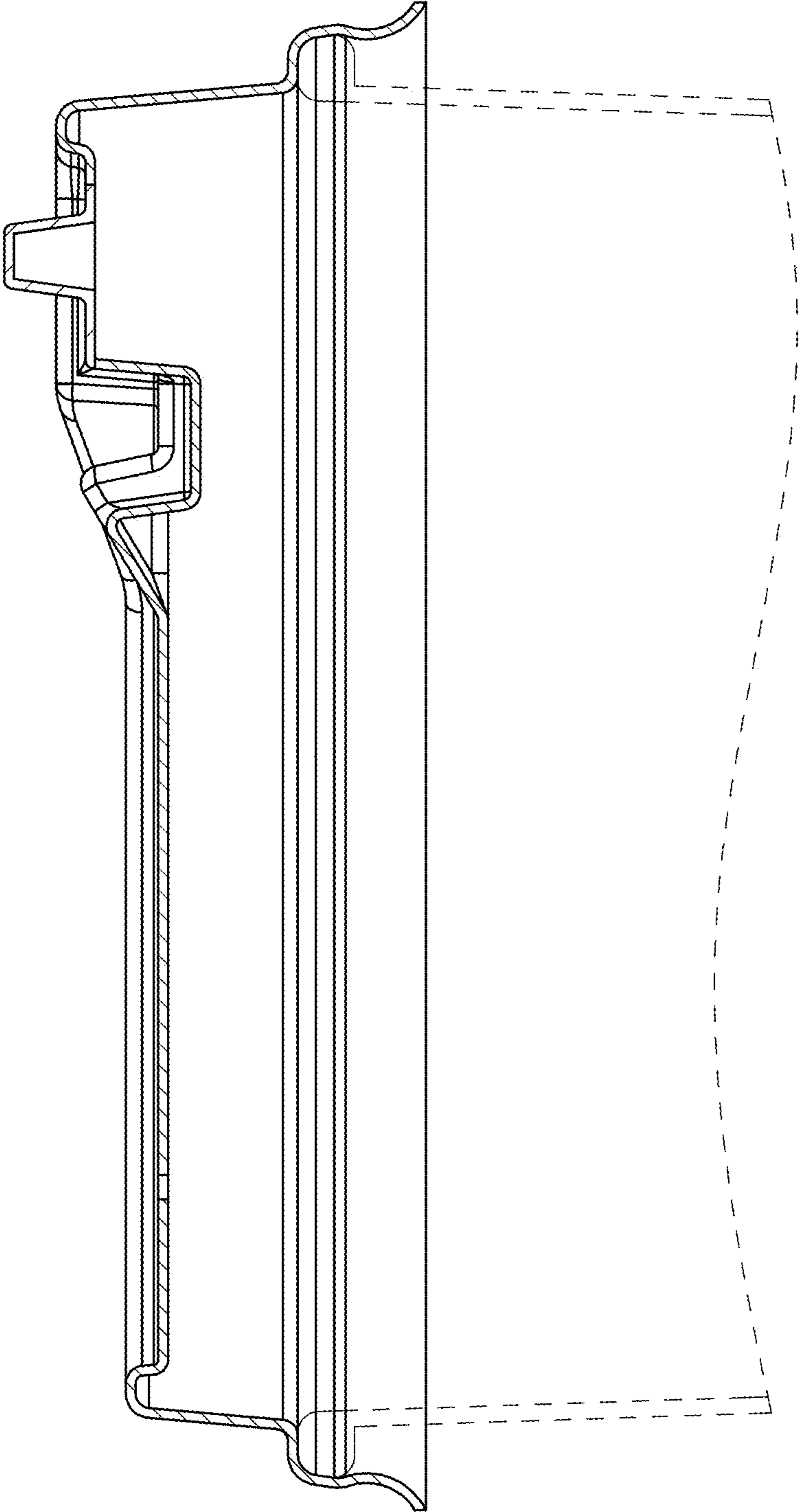


FIG. 11