



US00D886573S

(12) **United States Design Patent**
Axelsson

(10) **Patent No.:** **US D886,573 S**
(45) **Date of Patent:** **** Jun. 9, 2020**

(54) **FASTENING DEVICE FOR ANTENNA**

(71) Applicant: **MAFI AB**, Mora (SE)
(72) Inventor: **Andreas Axelsson**, Malung (SE)
(73) Assignee: **MAFI AB**, Mora (SE)
(**) Term: **15 Years**

(21) Appl. No.: **29/672,226**
(22) Filed: **Dec. 4, 2018**

(30) **Foreign Application Priority Data**

Jun. 29, 2018 (EM) 005331345

(51) **LOC (12) Cl.** **08-08**
(52) **U.S. Cl.**

USPC **D8/382**

(58) **Field of Classification Search**

USPC D8/14, 71, 72, 349, 354, 355, 371, 380,
D8/381, 382, 394, 396, 499; D10/103,
D10/121; D13/133, 149, 154
CPC F16B 2/12; F16B 2/065; F16B 7/00; F16B
7/04; F16B 7/0446; F16B 7/0486; F16L
3/02; F16L 3/10; F16L 3/1016; F16L
3/1091; F16M 13/022; H01Q 1/12; H01Q
1/1207; H01Q 1/1228; H01Q 1/125
See application file for complete search history.

(56) **References Cited**

U.S. PATENT DOCUMENTS

3,869,760 A * 3/1975 Meyer F16B 2/245
24/562
D257,663 S * 12/1980 McKee D8/354
D257,664 S * 12/1980 McKee D8/354
D272,987 S * 3/1984 Allen D8/354

D276,411 S * 11/1984 Peroni D8/399
6,283,689 B1 * 9/2001 Roytberg F16B 37/02
411/182
D500,441 S * 1/2005 Senn D8/323
D547,168 S * 7/2007 Churchill D8/382
D559,672 S * 1/2008 Alexander D8/384
D572,580 S * 7/2008 Machida D8/397
D576,479 S * 9/2008 Alexander D8/384
D579,321 S * 10/2008 Townley D8/354
D686,486 S * 7/2013 Densmore D8/349
D764,249 S * 8/2016 Deveci D8/72
9,531,319 B2 * 12/2016 Braunstein F24S 25/33
D782,292 S * 3/2017 Wessel D8/382
D818,811 S * 5/2018 Hattori D8/397
D821,853 S * 7/2018 Mikkelsen D8/354
D850,892 S * 6/2019 Lin D8/373
D876,201 S * 2/2020 Wassdahl D8/349

* cited by examiner

Primary Examiner — Sandra S Snapp

Assistant Examiner — Ieisha N Price

(74) *Attorney, Agent, or Firm* — Nixon & Vanderhye P.C.

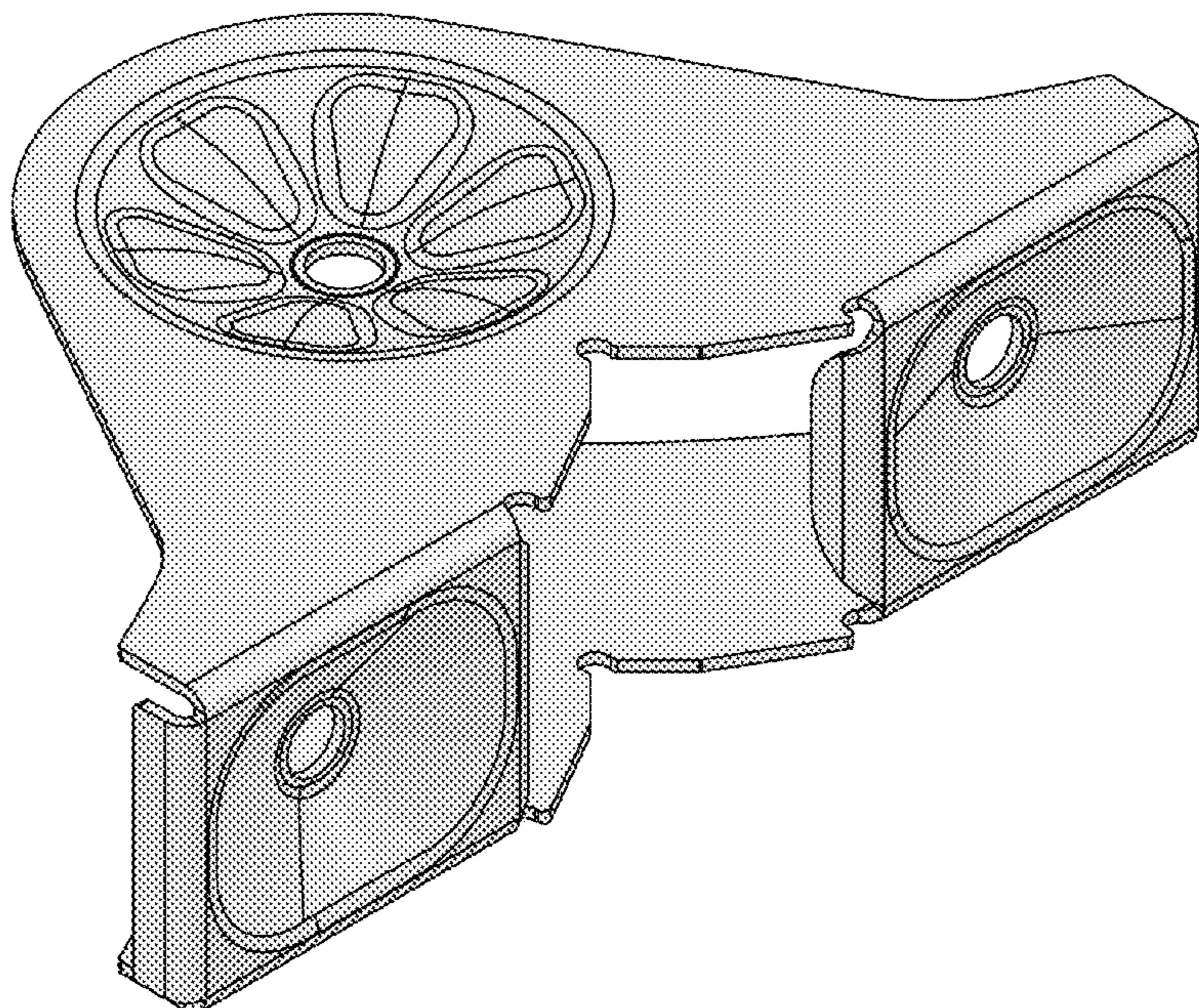
(57) **CLAIM**

The ornamental design for a fastening device for antenna, as shown and described.

DESCRIPTION

FIG. 1 is a top perspective view of a fastening device for antenna according to the present invention; FIG. 2 is a bottom perspective view thereof; FIG. 3 is a top plan view thereof; FIG. 4 is a bottom plan view thereof; FIG. 5 is a left side view thereof, the opposite side being a mirror image; FIG. 6 is a front view thereof; and, FIG. 7 is a rear view thereof.

1 Claim, 7 Drawing Sheets



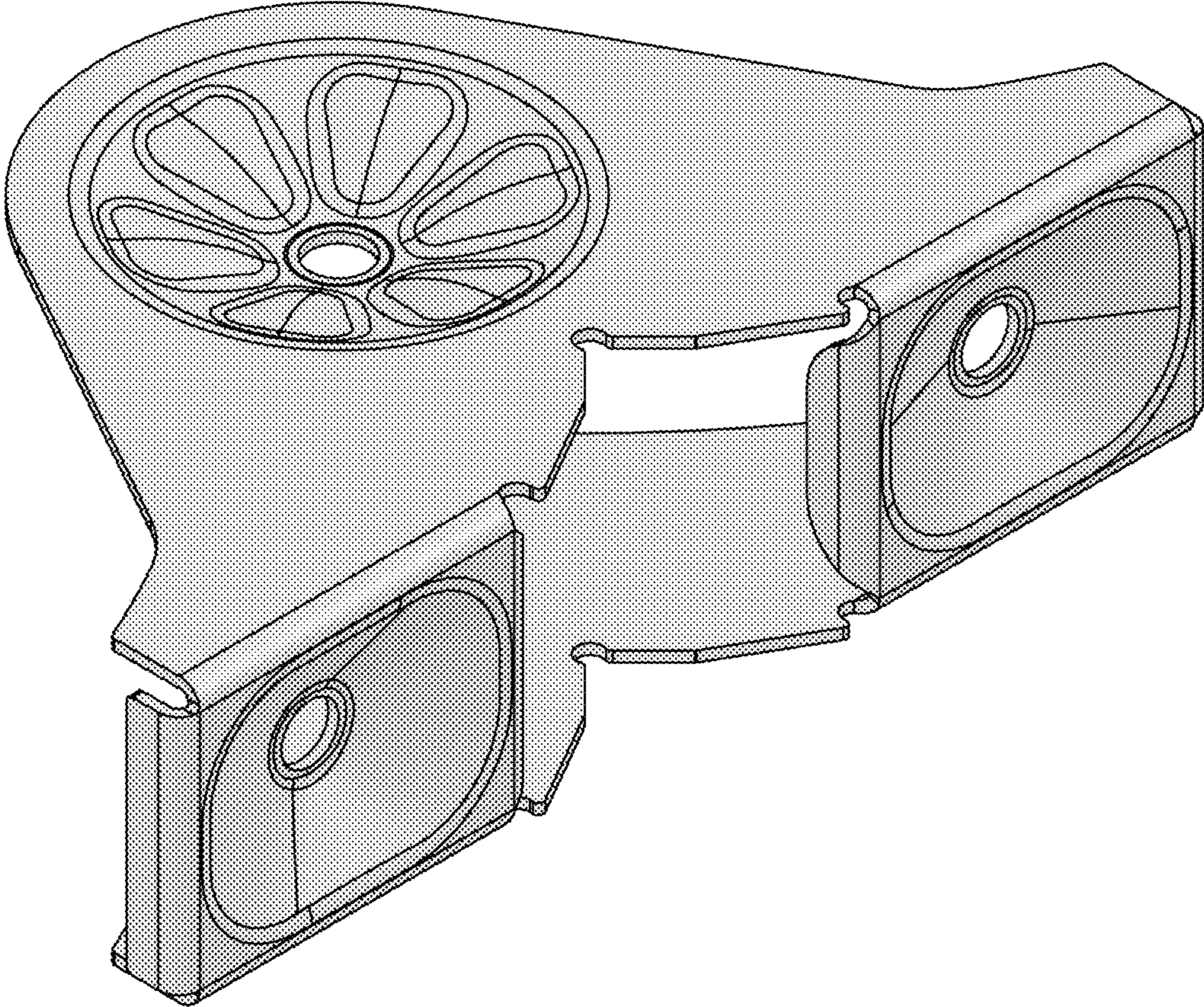


FIG. 1

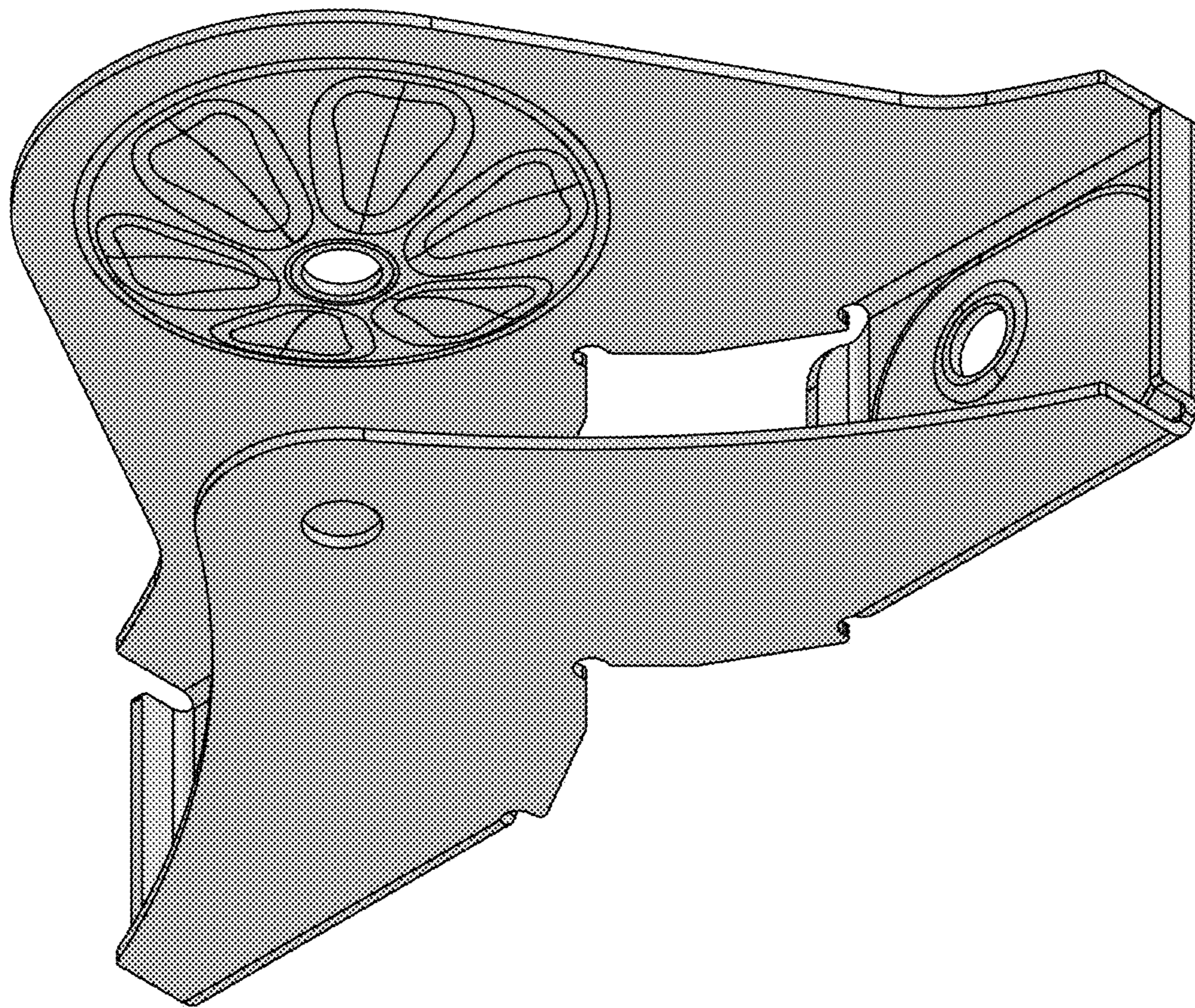


FIG. 2

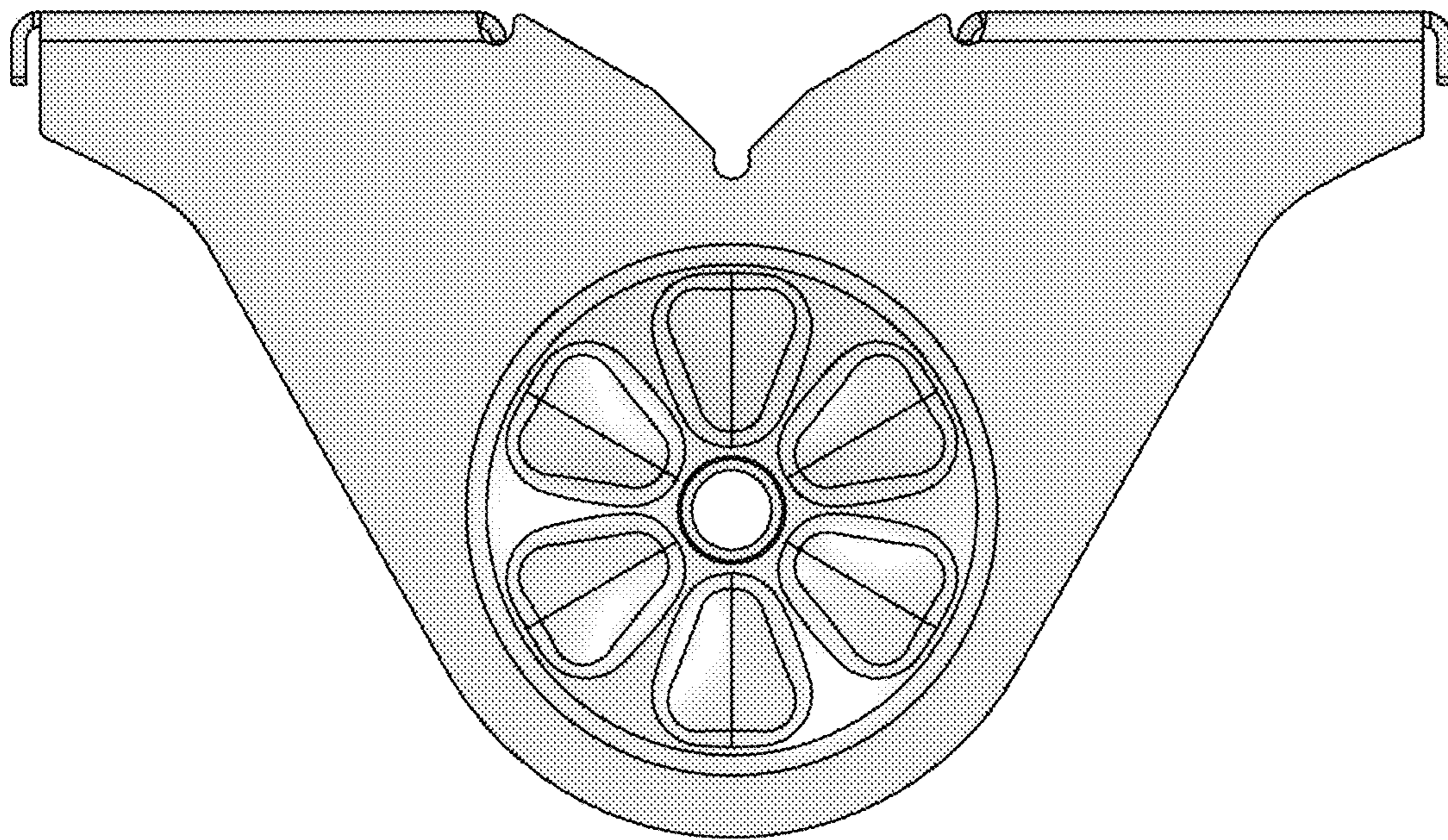


FIG. 3

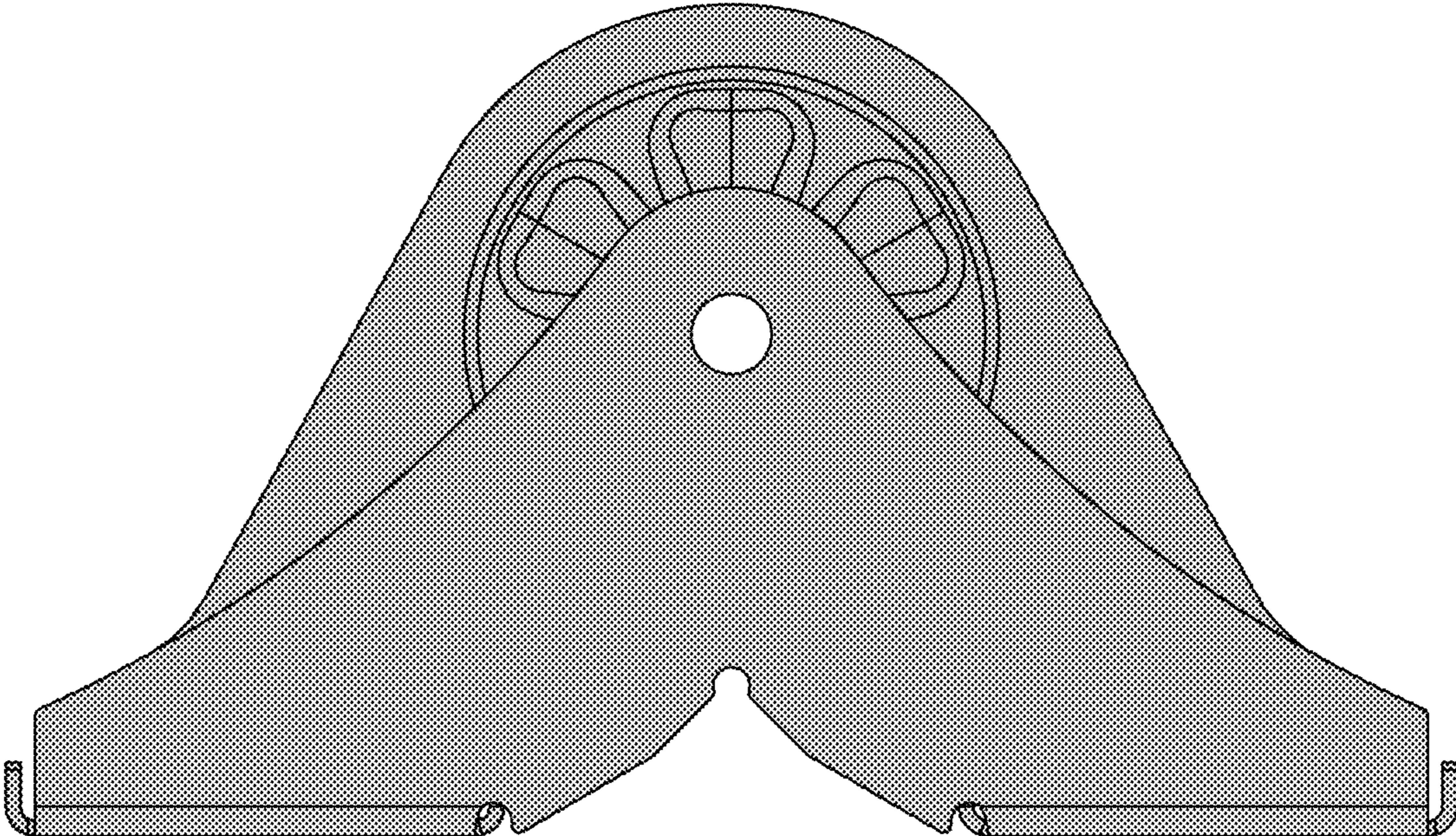


FIG. 4

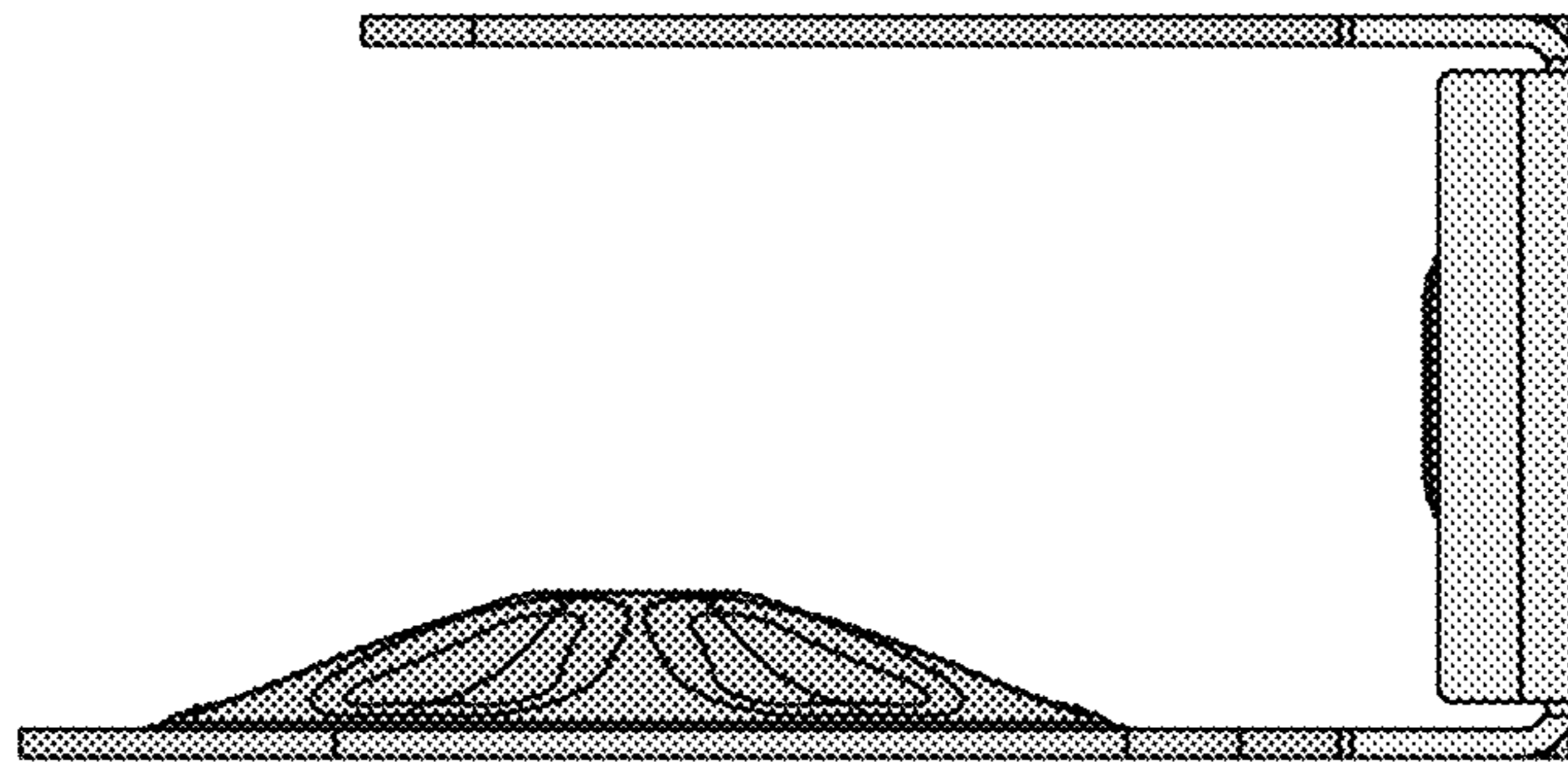


FIG. 5

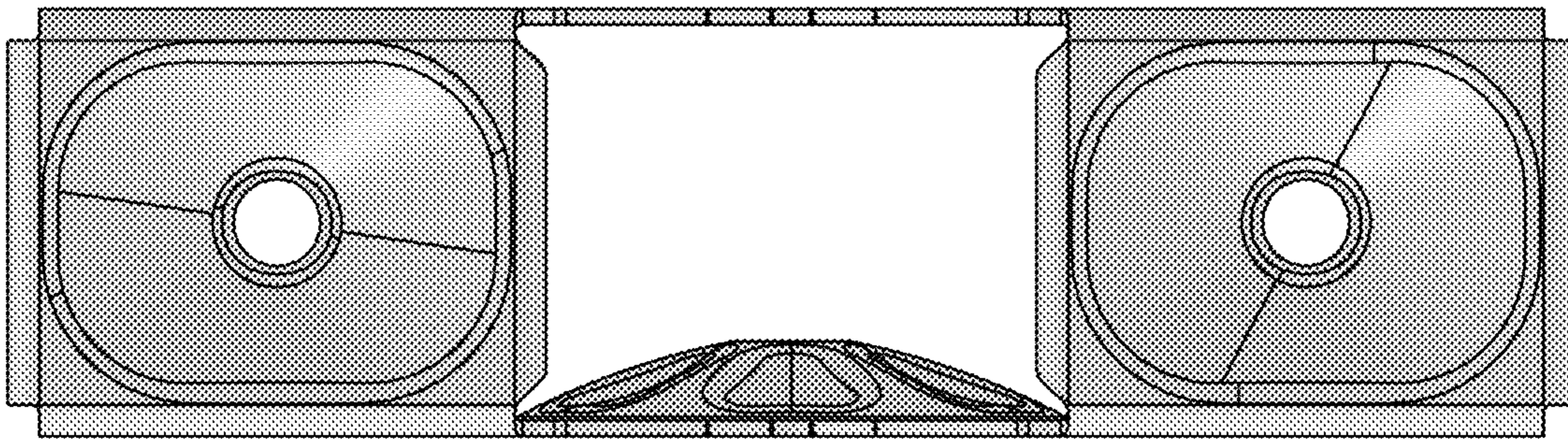


FIG. 6

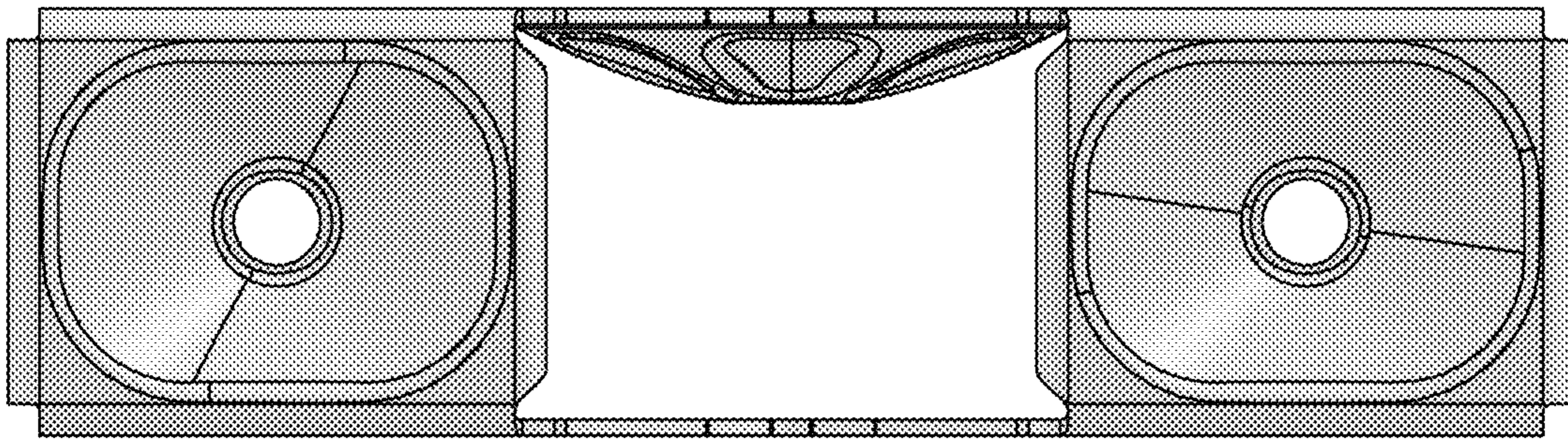


FIG. 7