



US00D886570S

(12) **United States Design Patent** (10) **Patent No.:** **US D886,570 S**  
**Twitchell** (45) **Date of Patent:** **\*\* Jun. 9, 2020**

(54) **AN FITTING BRACKET**  
(71) Applicant: **The Hot Rod Service Company, LLC,**  
Campbell, CA (US)  
(72) Inventor: **Jeffrey Twitchell,** San Jose, CA (US)  
(73) Assignee: **The Hot Rod Service Company, LLC,**  
Campbell, CA (US)  
(\*\*) Term: **15 Years**

D696,101 S \* 12/2013 Wada ..... D8/354  
D738,191 S \* 9/2015 Nas ..... D8/349  
D767,218 S \* 9/2016 Hickling ..... A01K 1/04  
D30/154  
D792,278 S \* 7/2017 Jacobson ..... D11/164  
D820,664 S \* 6/2018 Allen ..... D8/354  
D821,181 S \* 6/2018 Ito ..... D8/354  
D821,853 S \* 7/2018 Mikkelsen ..... D8/354  
D830,152 S \* 10/2018 Ito ..... D8/354  
D839,082 S \* 1/2019 Heine ..... D8/354  
D841,431 S \* 2/2019 Ito ..... D8/354  
D846,369 S \* 4/2019 Ni ..... D8/354  
D846,370 S \* 4/2019 Ni ..... D8/354  
2014/0084585 A1 \* 3/2014 Wada ..... F15B 21/048  
285/406

(21) Appl. No.: **29/636,228**

(22) Filed: **Feb. 7, 2018**

(51) **LOC (12) Cl.** ..... **09-06**

(52) **U.S. Cl.**  
USPC ..... **D8/356**

(58) **Field of Classification Search**  
USPC ..... D8/356, 354, 349  
CPC ..... F15B 21/048; F16L 17/06  
See application file for complete search history.

\* cited by examiner

*Primary Examiner* — Cynthia R Underwood

(74) *Attorney, Agent, or Firm* — Schwegman Lundberg & Woessner, P.A.

(57) **CLAIM**

I claim the ornamental appearance for AN fitting bracket, as shown and described.

(56) **References Cited**

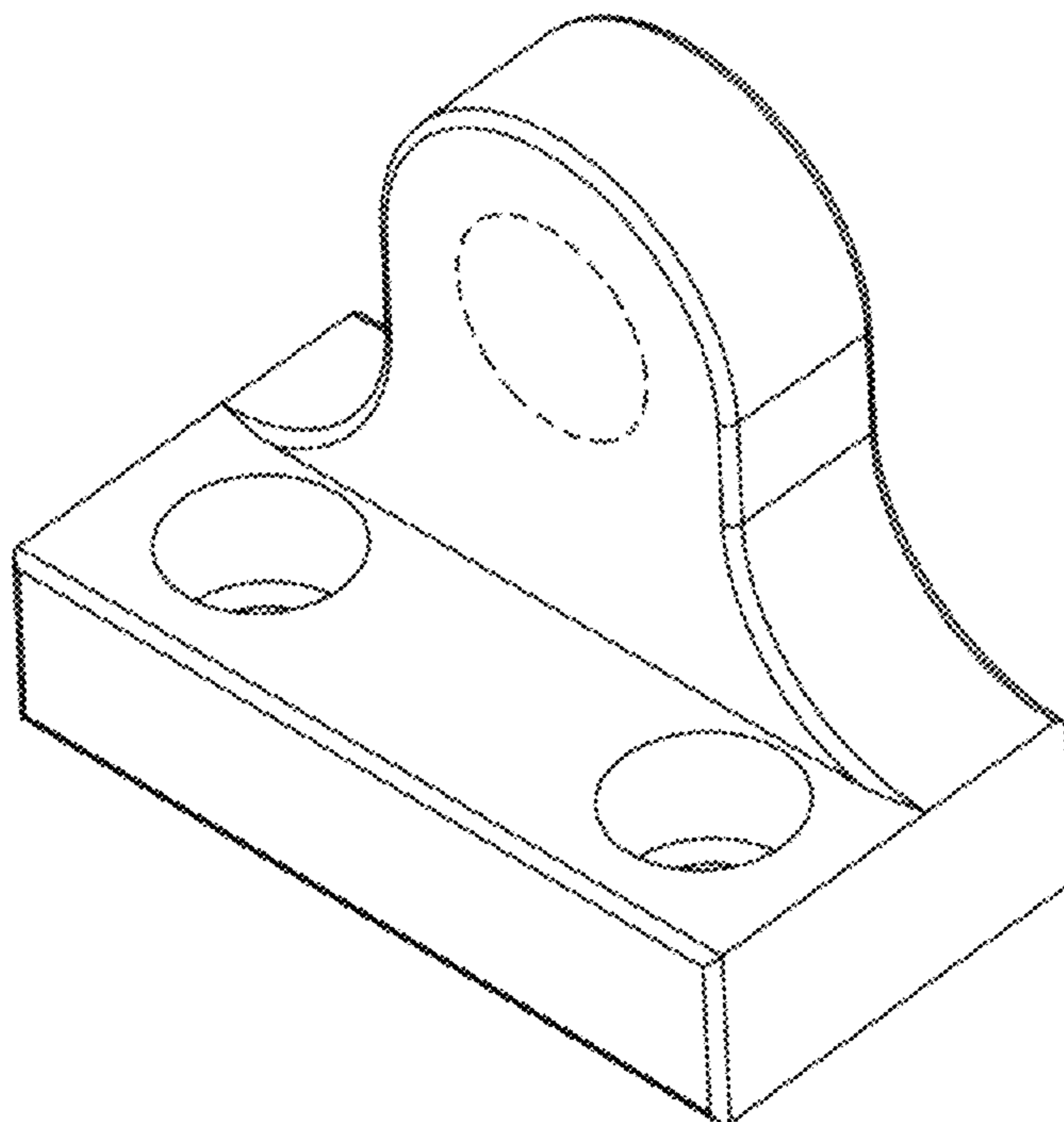
U.S. PATENT DOCUMENTS

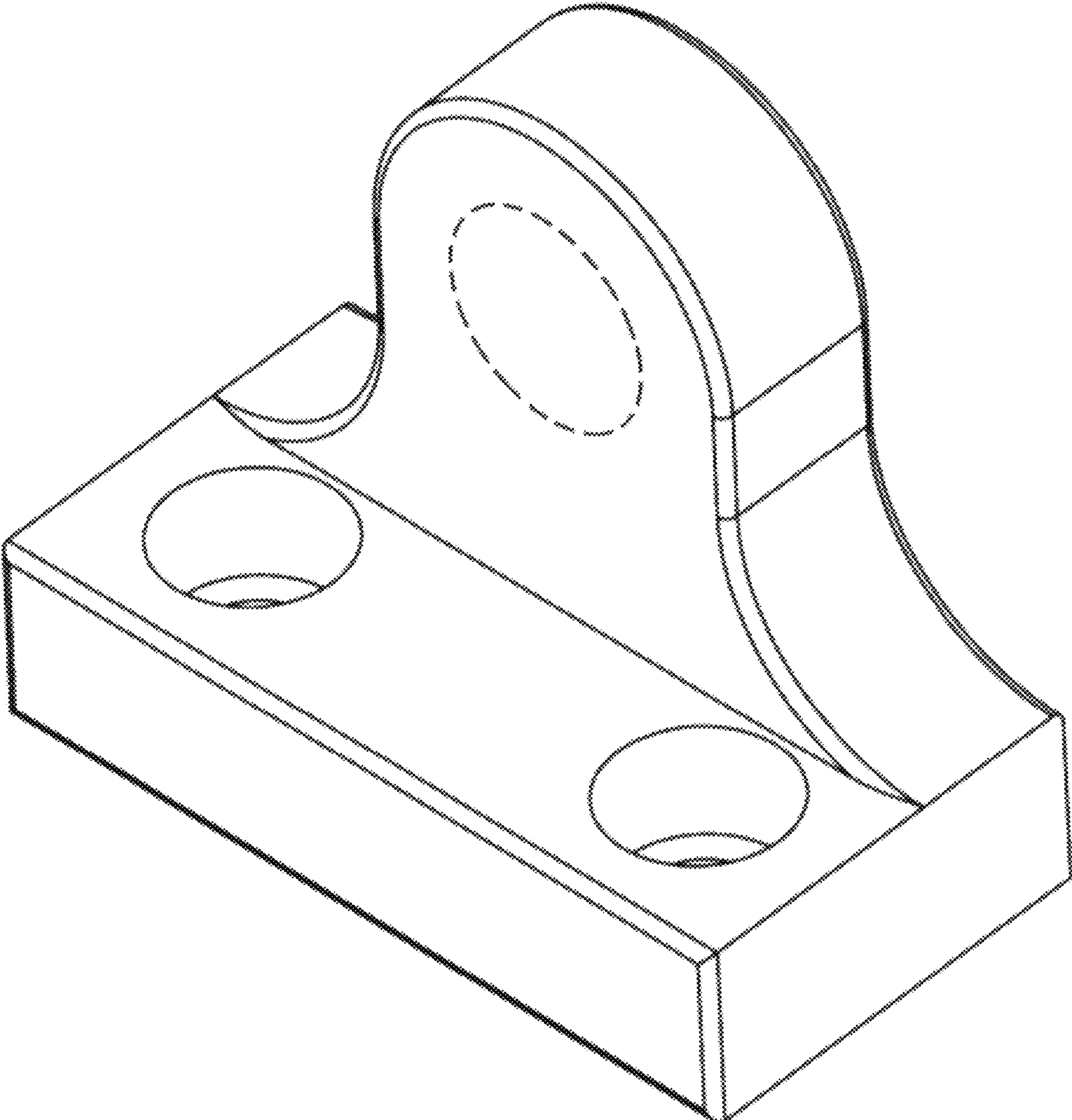
D427,504 S \* 7/2000 Dzedzic ..... D8/356  
6,672,237 B2 \* 1/2004 Hillier ..... B63B 21/08  
114/218  
D531,890 S \* 11/2006 Bentrim ..... D8/382  
D557,117 S \* 12/2007 Cannaverde ..... D8/354  
D615,853 S \* 5/2010 Sullivan ..... D8/380  
7,722,001 B2 \* 5/2010 Trotter ..... F16B 5/0685  
248/65  
7,770,848 B2 \* 8/2010 Johnson ..... F16L 3/1207  
248/65  
D696,099 S \* 12/2013 Wada ..... D8/354  
D696,100 S \* 12/2013 Wada ..... D8/354

**DESCRIPTION**

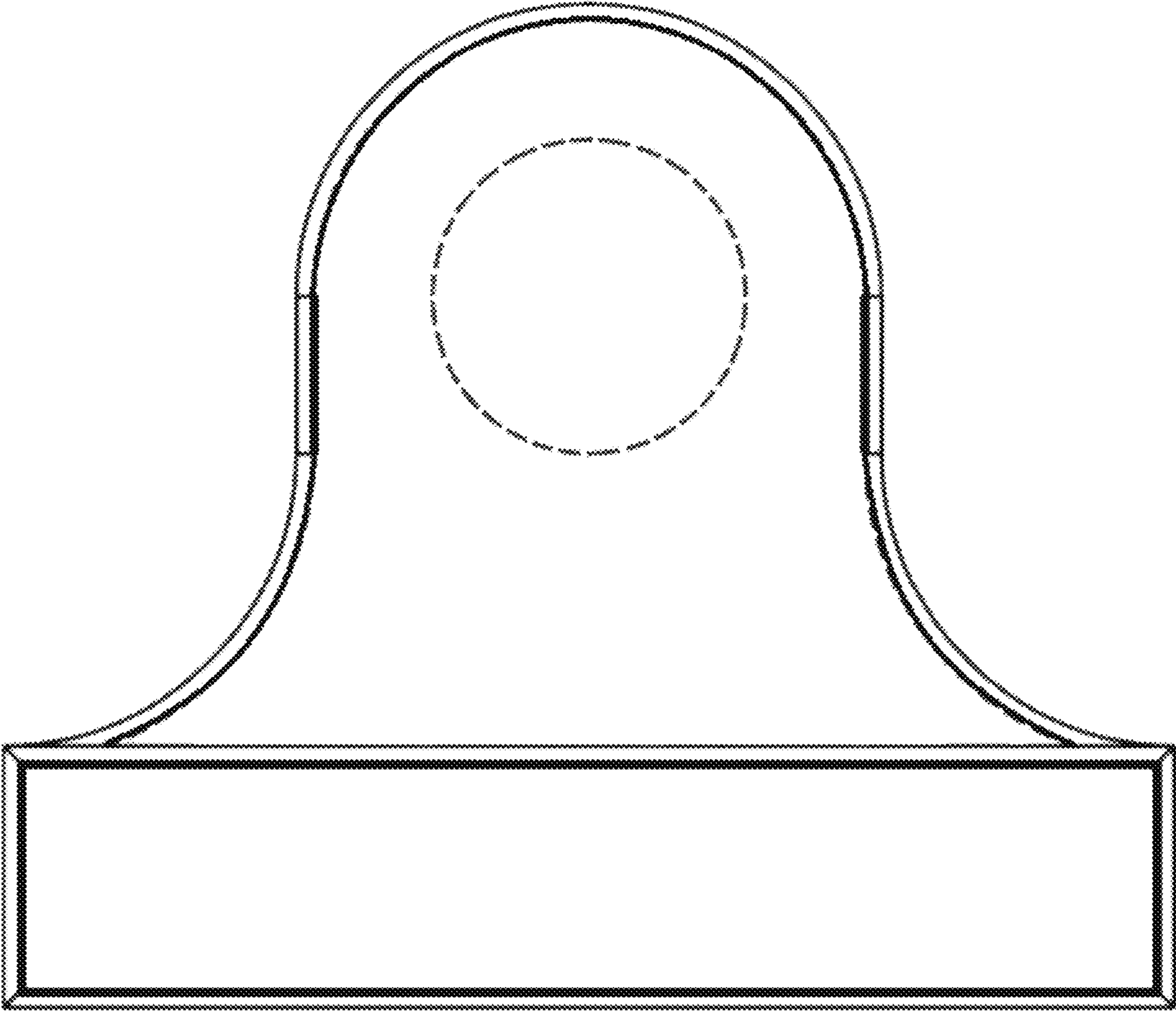
FIG. 1 is a top perspective view of AN fitting bracket;  
FIG. 2 is a front view thereof;  
FIG. 3 is a top view thereof;  
FIG. 4 is a right side view thereof;  
FIG. 5 is a left side view thereof;  
FIG. 6 is a back view thereof;  
FIG. 7 is bottom view thereof; and,  
FIG. 8 is a bottom perspective view thereof.  
The broken lines represent environment and form no part of the claim.

**1 Claim, 8 Drawing Sheets**

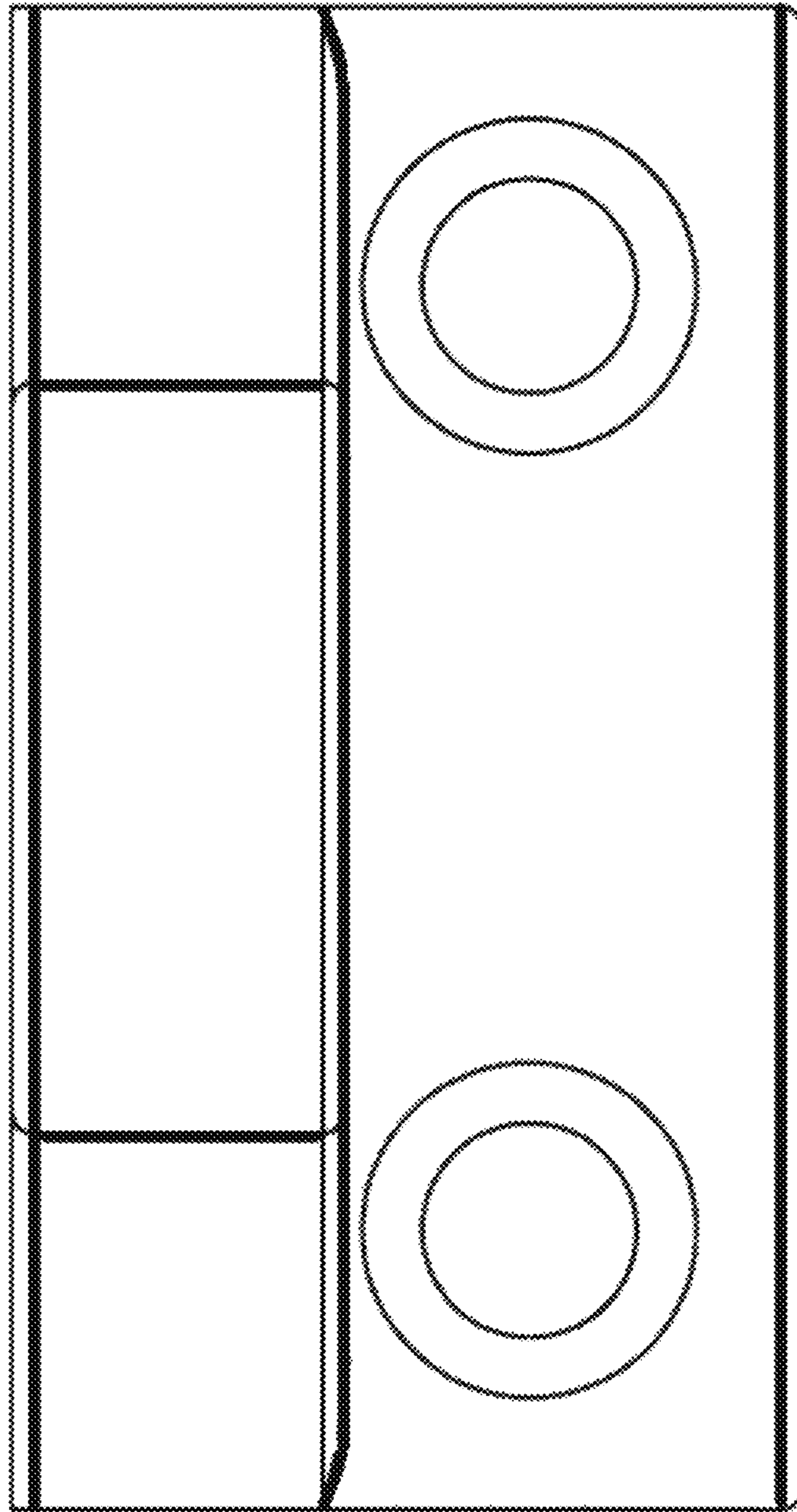




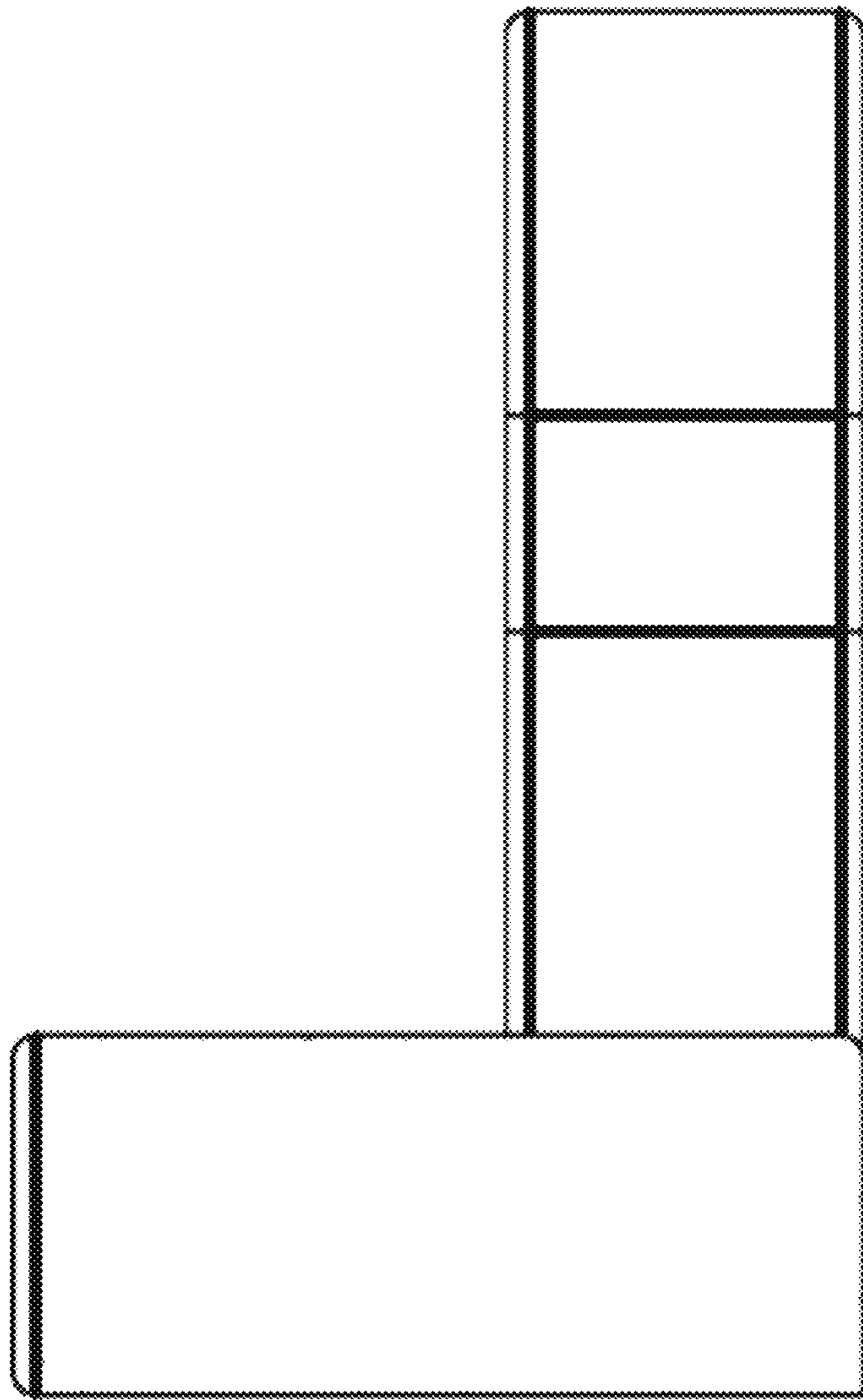
*FIG. 1*



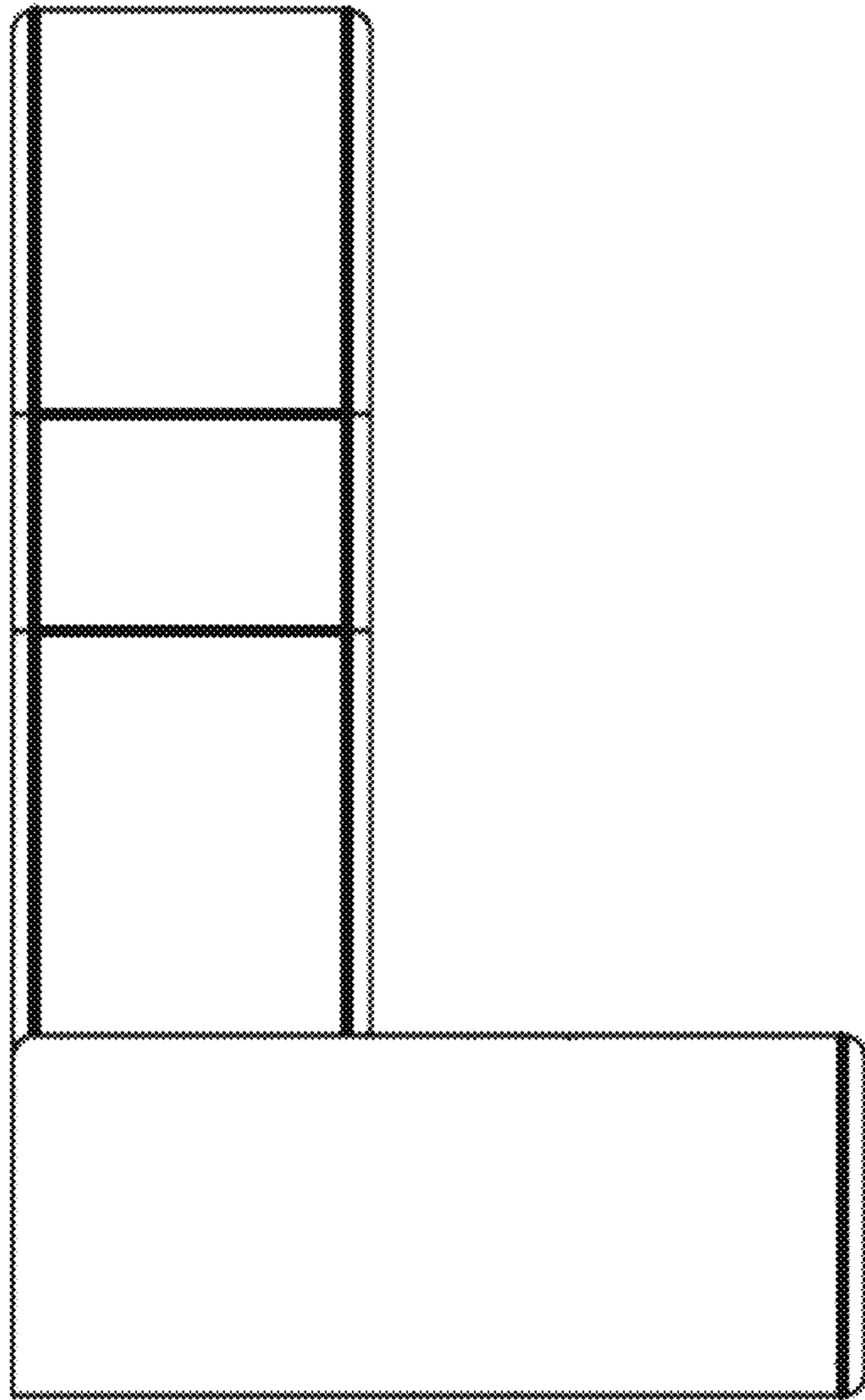
*FIG. 2*



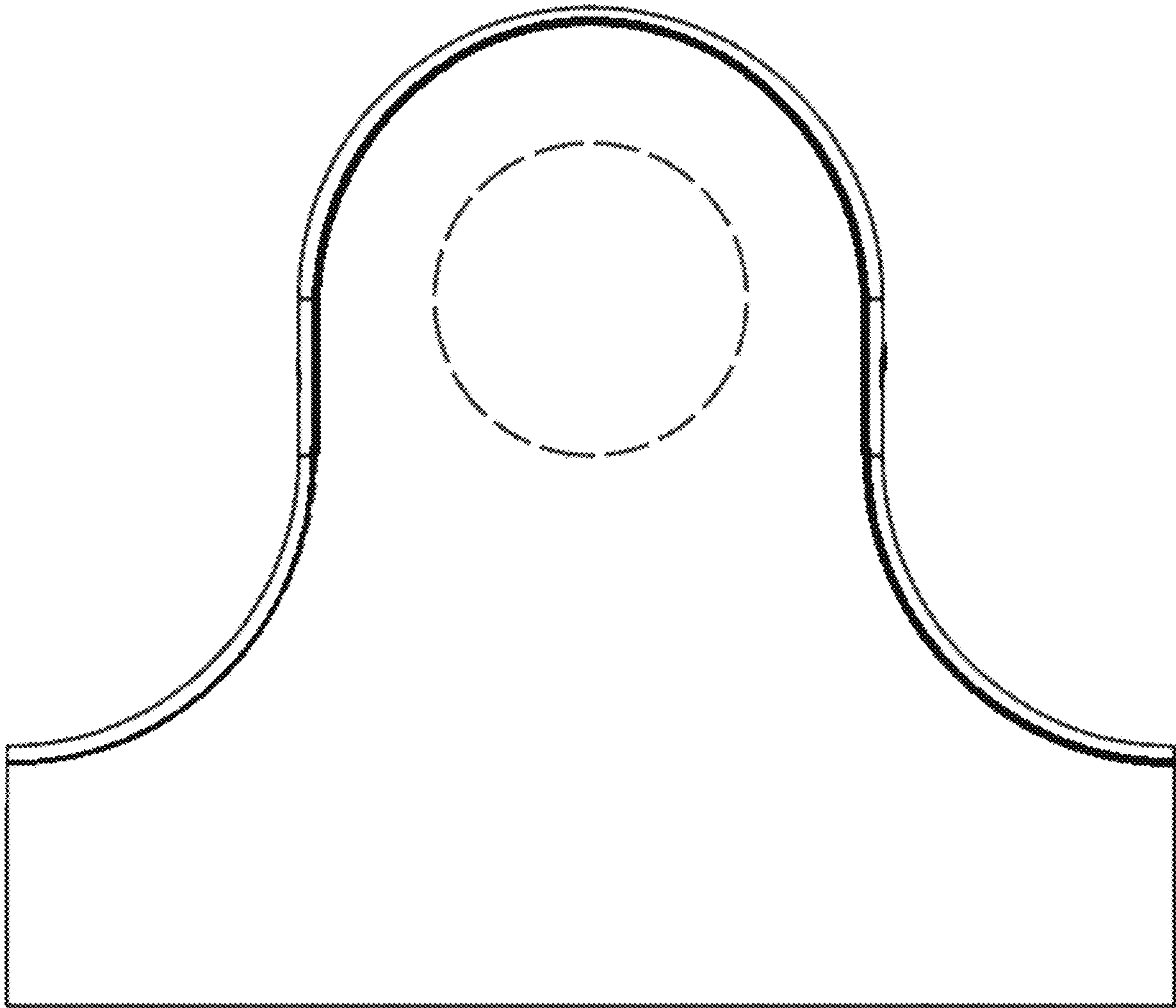
*FIG. 3*



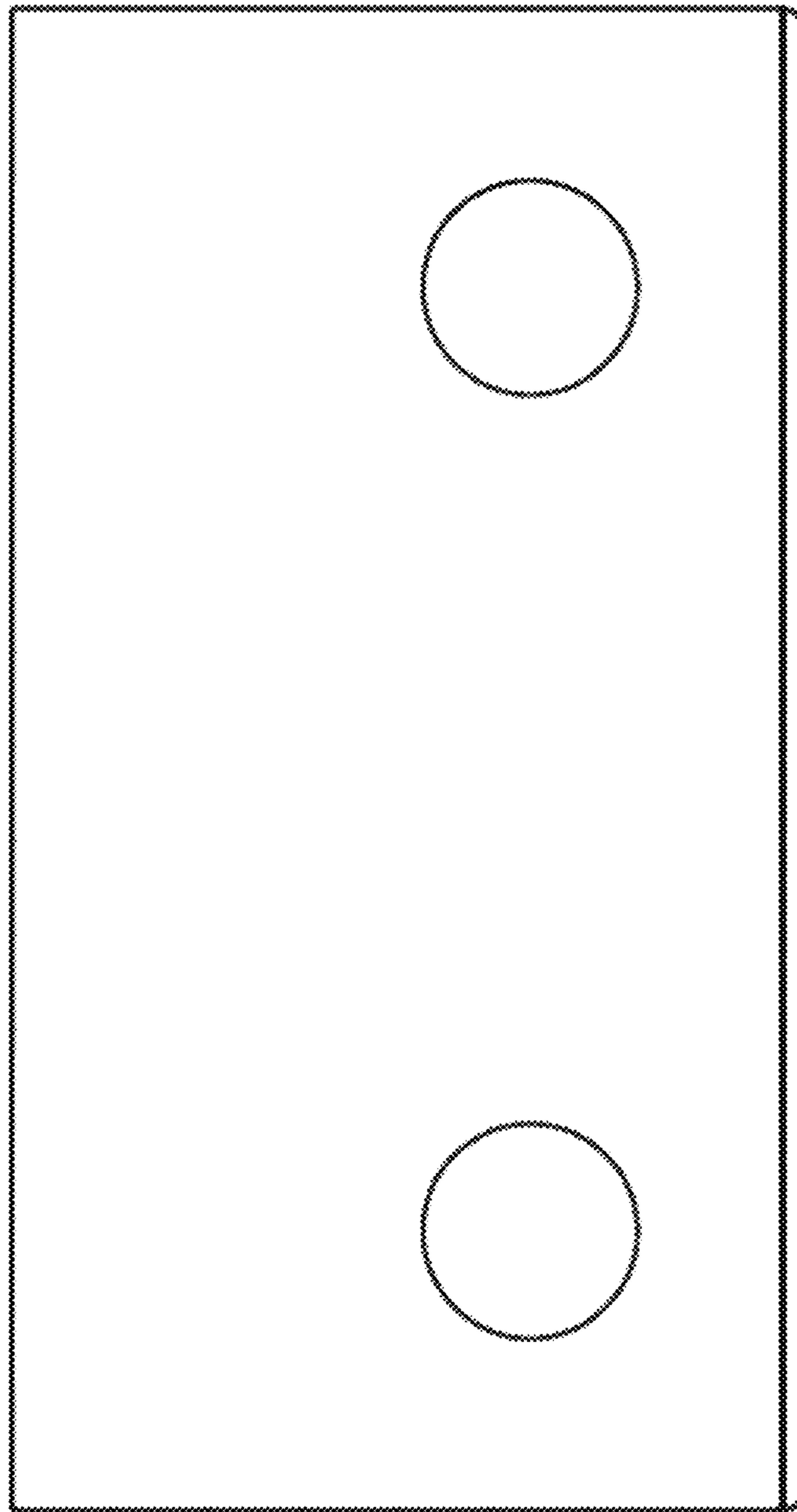
*FIG. 4*



*FIG. 5*



*FIG. 6*



*FIG. 7*



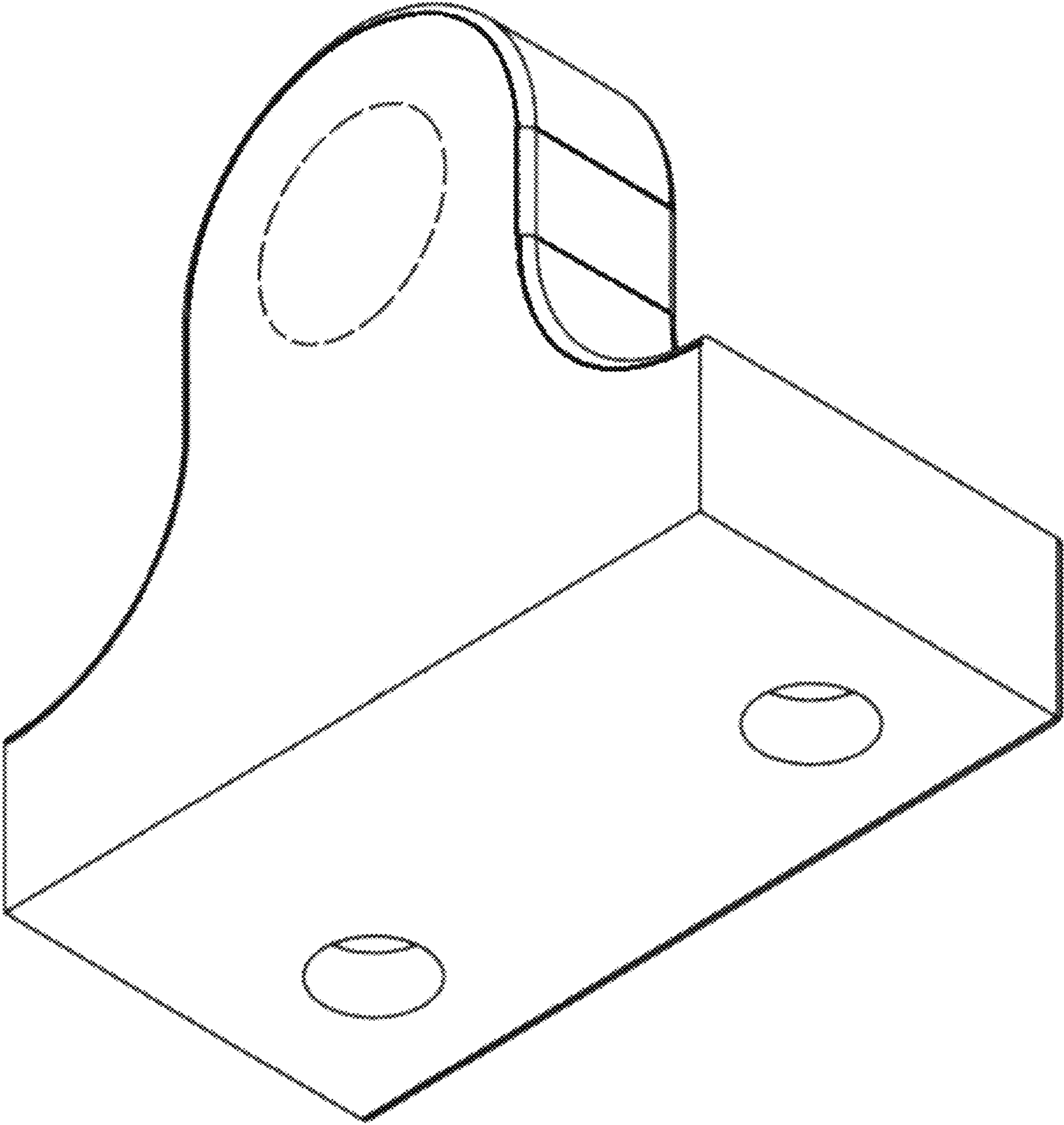


FIG. 8