



US00D886568S

(12) **United States Design Patent**
Valencich

(10) **Patent No.:** **US D886,568 S**

(45) **Date of Patent:** **** *Jun. 9, 2020**

(54) **HANDLESET**

(71) Applicants: **Spectrum Brands, Inc.**, Middleton, WI (US); **Erinn Valencich**, Middleton, WI (US)

(72) Inventor: **Erinn Valencich**, Beverly Hills, CA (US)

(73) Assignees: **Spectrum Brands, Inc.**, Middleton, WI (US); **Erinn Valencich**, Beverly Hills, CA (US)

(*) Notice: This patent is subject to a terminal disclaimer.

(**) Term: **15 Years**

(21) Appl. No.: **29/607,052**

(22) Filed: **Jun. 9, 2017**

(51) **LOC (12) Cl.** **08-07**

(52) **U.S. Cl.**
USPC **D8/338**

(58) **Field of Classification Search**
USPC D8/300–302, 330, 331, 336, 338, 339, D8/340, 343; D23/250, 252; 70/14, 2, 70/51, 57, 57.1, 91, 107, 141, 214, 78, 70/278, 1, 127, 447, 206, 207, 192, 201; 292/288, 289, 290, 292, 194–198, 165, 292/257, 336.3; 16/110.1, 412, 416, 16/DIG. 30

CPC E05B 49/00; E05B 17/00; E05B 55/00; E05B 65/00; E05B 47/00

See application file for complete search history.

(56) **References Cited**

U.S. PATENT DOCUMENTS

D300,113 S * 3/1989 Halsted D8/302
D300,114 S * 3/1989 Halsted D8/302
D300,115 S * 3/1989 Halsted D8/302
D499,950 S * 12/2004 Roberts, III D8/302
D501,634 S * 2/2005 Denoual D8/302

D517,898 S * 3/2006 Veltz D8/302
D579,302 S * 10/2008 Roberts, III D8/302
D664,420 S * 7/2012 Mattson D8/302
D743,237 S * 11/2015 Cummings D8/302

(Continued)

OTHER PUBLICATIONS

“Tremont Entrance Trim”; Baldwin; disclosure date unknown but prior to filing date of present application; <URL: <http://www.baldwinhardware.com/products/details/door-hardware/entrance/tremont-entrance-trim-6542-150>>.

(Continued)

Primary Examiner — Ian Simmons

Assistant Examiner — Yolanda Robinson

(74) *Attorney, Agent, or Firm* — Banner & Witcoff, Ltd.

(57) **CLAIM**

The ornamental design for a handleset, as shown and described.

DESCRIPTION

FIG. 1 is a front perspective view of a handleset showing my new design;

FIG. 2 is a front view thereof;

FIG. 3 is a left side view thereof;

FIG. 4 is a right side view thereof;

FIG. 5 is a top view thereof;

FIG. 6 is a bottom view thereof;

FIG. 7 is a front perspective view of an alternative embodiment of a handleset showing my new design;

FIG. 8 is a front view thereof;

FIG. 9 is a left side view thereof;

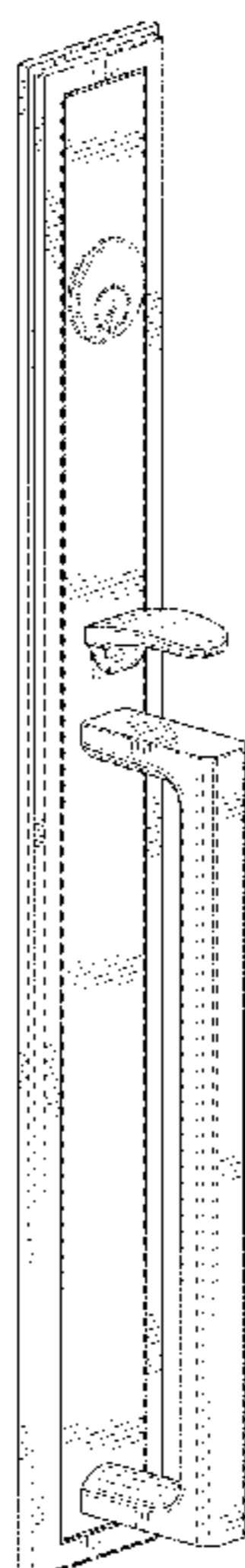
FIG. 10 is a right side view thereof;

FIG. 11 is a top view thereof; and,

FIG. 12 is a bottom view thereof.

The broken line showing of the circular lock region, keyway, and element below the thumbpiece of the handleset represents unclaimed subject matter and forms no part of the claimed design.

1 Claim, 10 Drawing Sheets



(56)

References Cited

U.S. PATENT DOCUMENTS

D787,910 S * 5/2017 Hsu D8/302
D787,911 S * 5/2017 Hsu D8/302
D788,565 S * 6/2017 Hsu D8/302
D806,503 S * 1/2018 Schneider D8/302
D810,542 S * 2/2018 Hsu D8/302
D812,446 S * 3/2018 Schneider D8/302
D813,012 S * 3/2018 Valencich D8/331
2004/0004359 A1* 1/2004 Wartian E05C 1/12
292/336.3
2018/0266142 A1* 9/2018 Wong E05B 17/002

OTHER PUBLICATIONS

“Palm Springs Full Escutcheon”; Baldwin; disclosure date unknown but prior to filing date of present application; <URL:<http://www.baldwinhardware.com/products/details/door-hardware/entrance/palm-springs-full-escutcheon-6921-260>>.

* cited by examiner

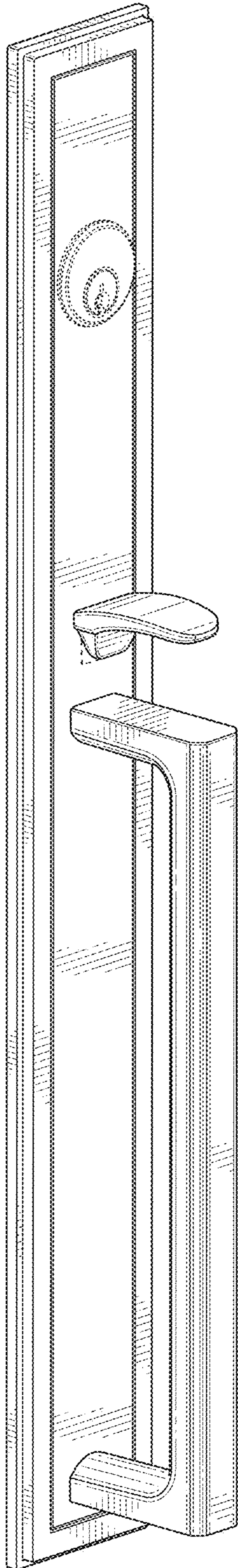


FIG. 1

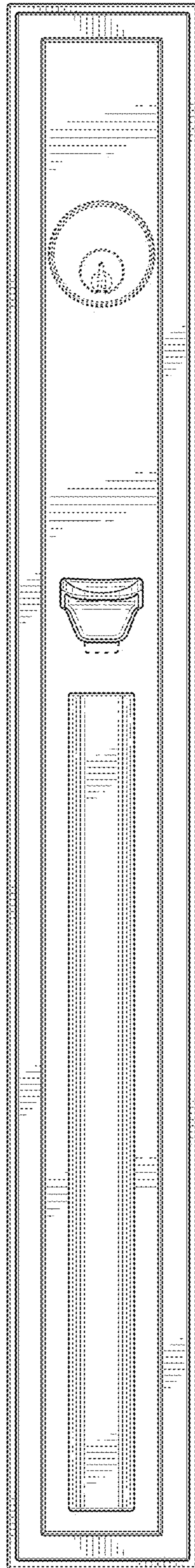


FIG. 2

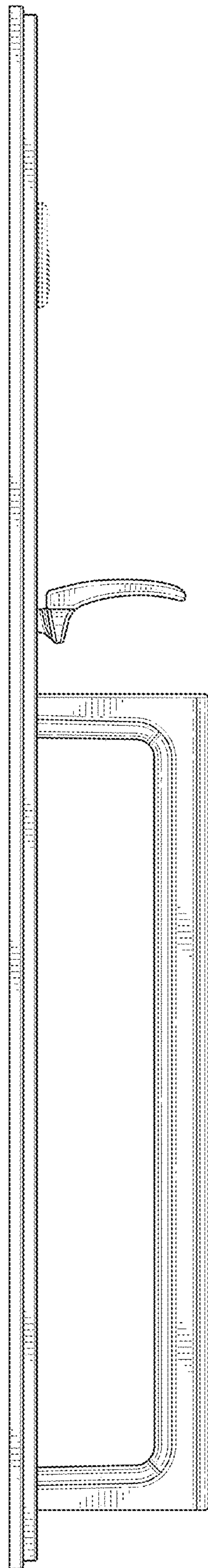


FIG. 3

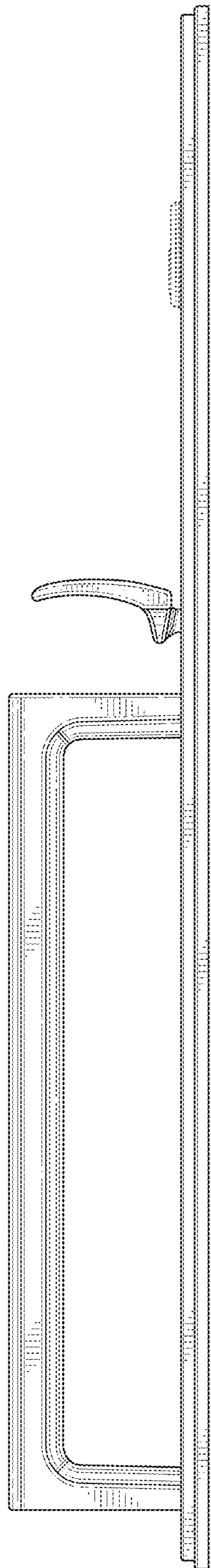


FIG. 4

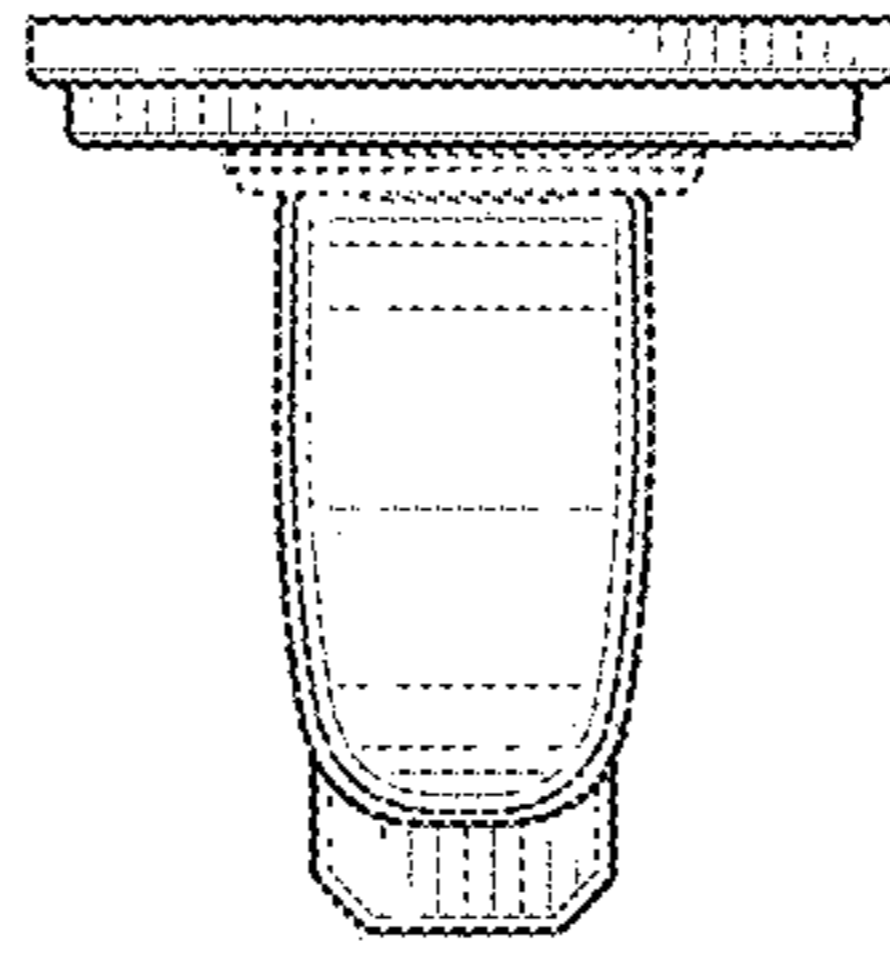


FIG. 5

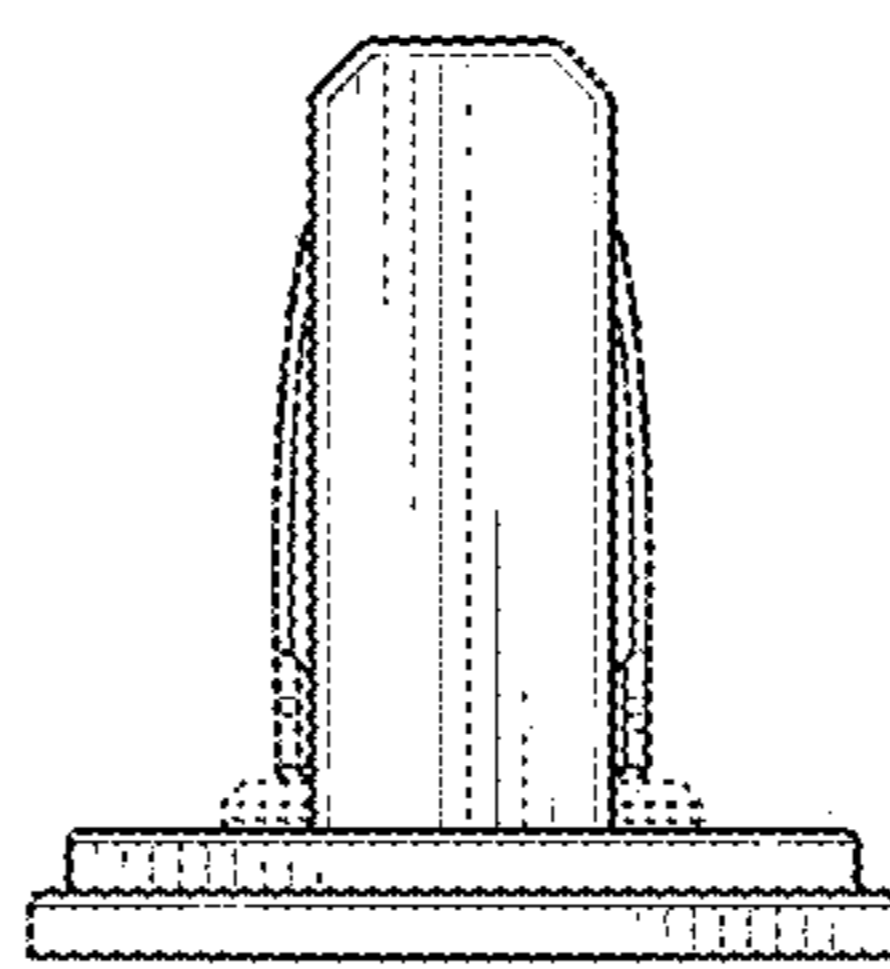


FIG. 6

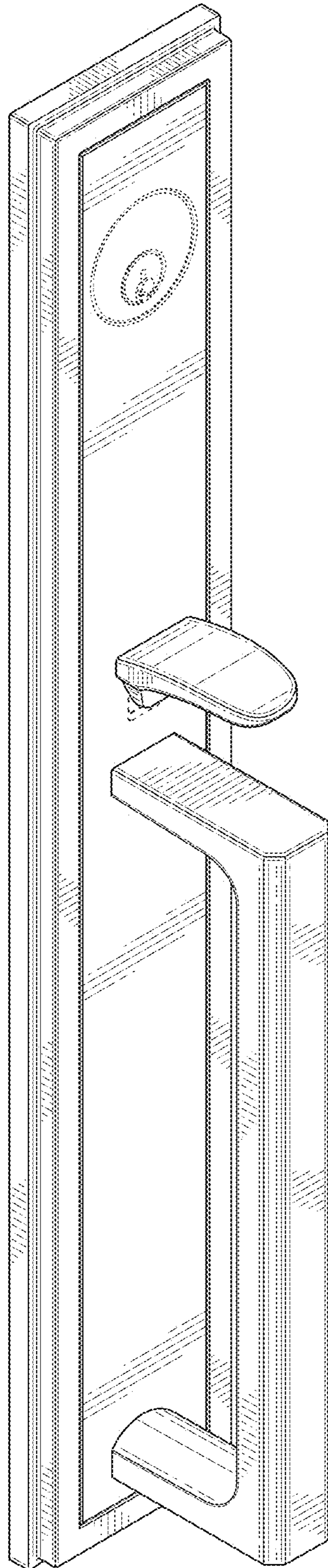


FIG. 7

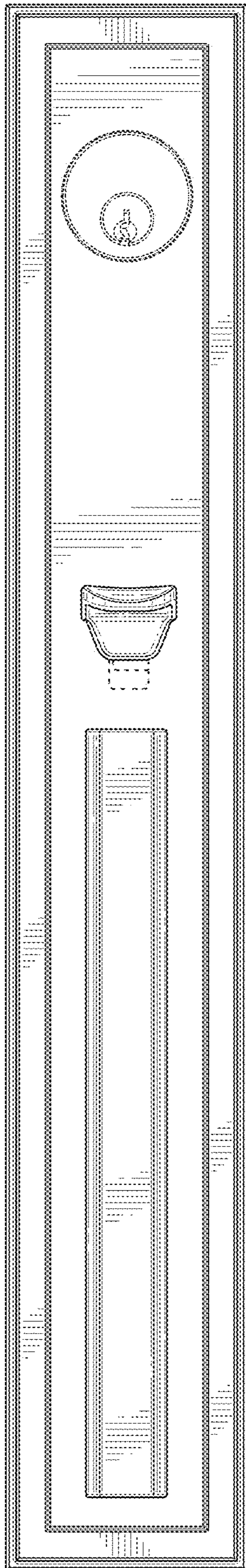


FIG. 8

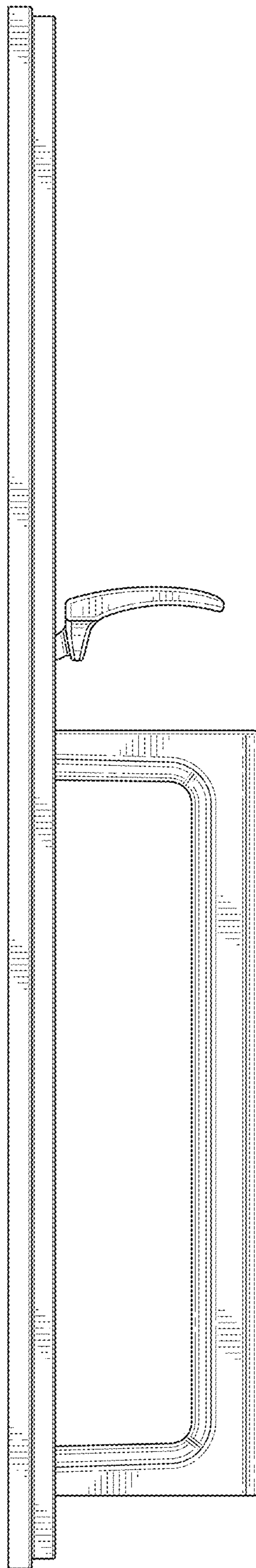


FIG. 9

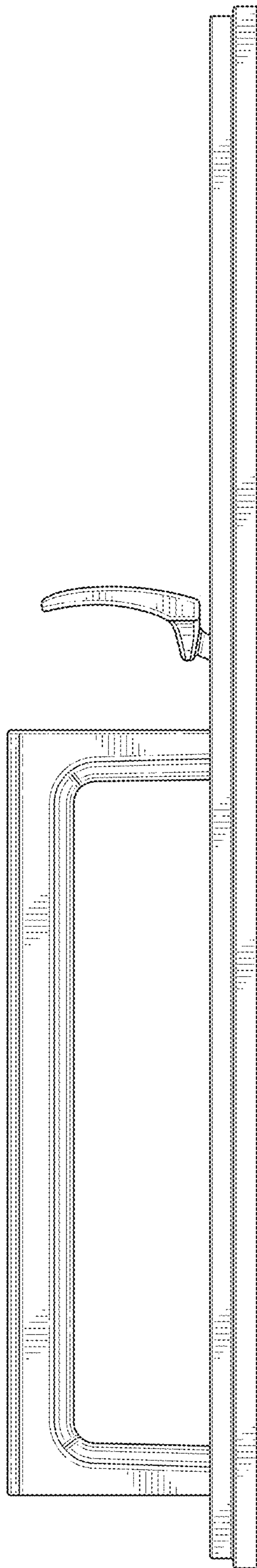


FIG. 10

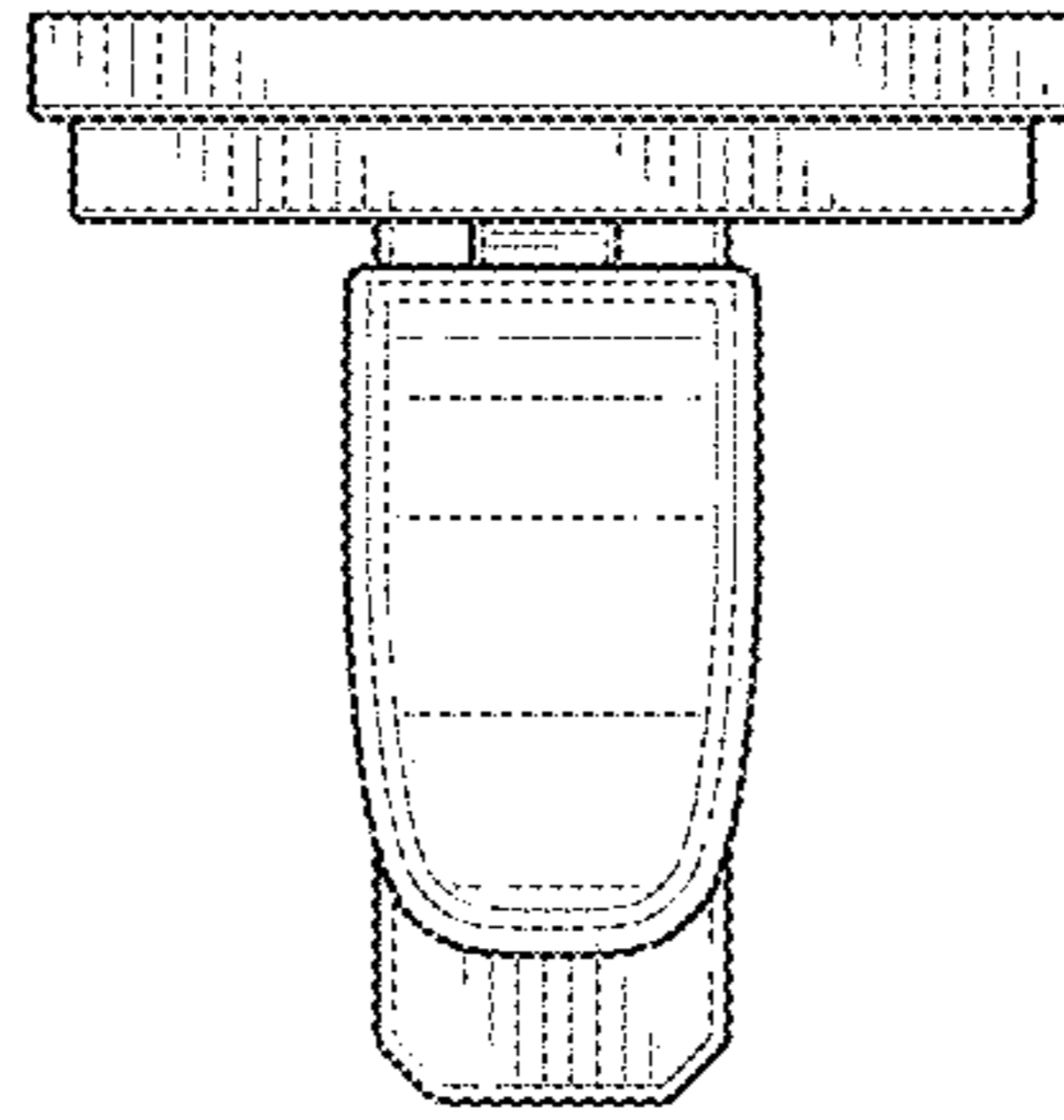


FIG. 11

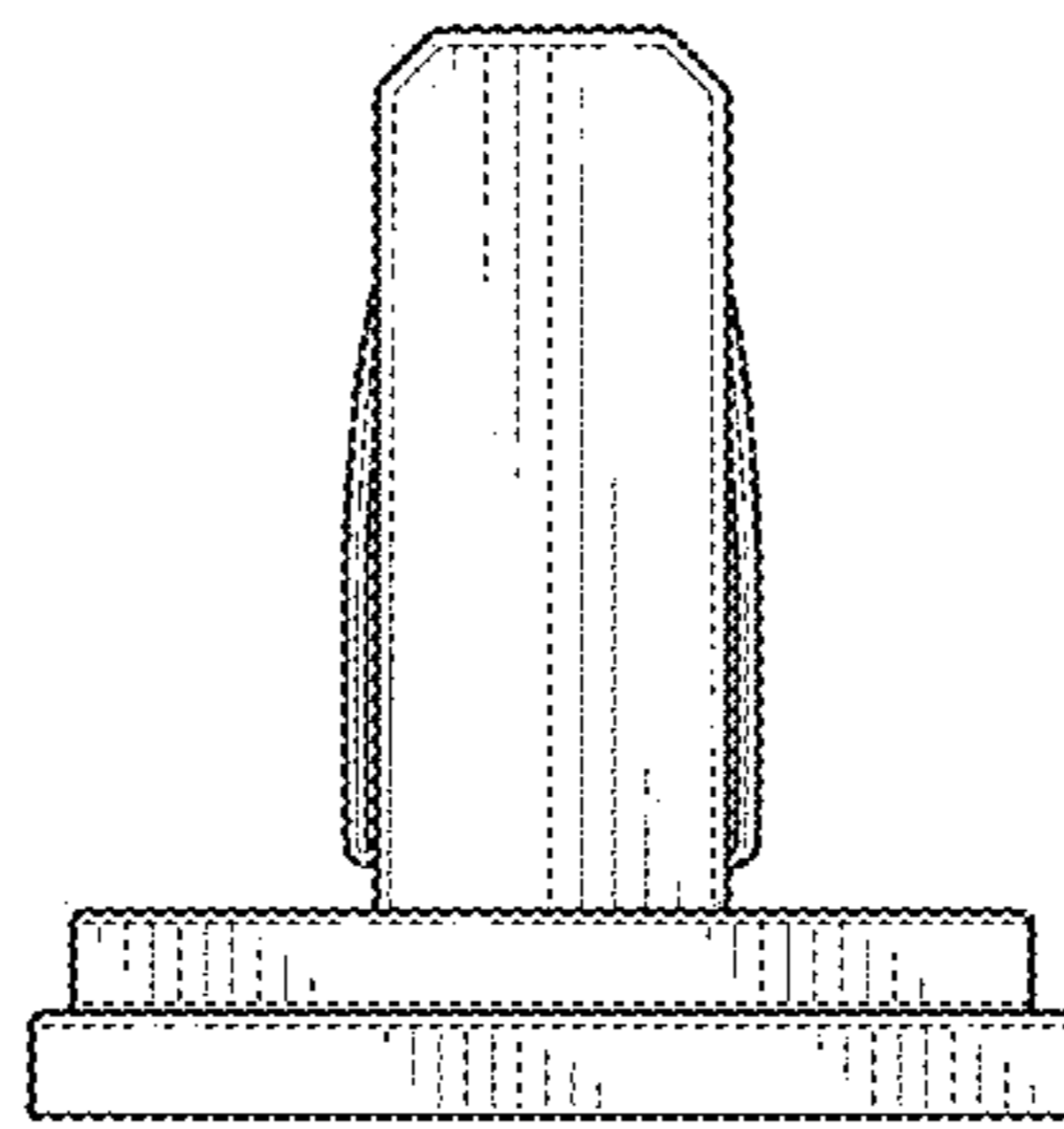


FIG. 12