



US00D886567S

(12) **United States Design Patent**
Mitchell et al.

(10) **Patent No.:** **US D886,567 S**

(45) **Date of Patent:** **** Jun. 9, 2020**

(54) **HUMAN MACHINE INTERFACE FOR
OUTDOOR POWER EQUIPMENT**

(71) Applicant: **HUSQVARNA AB**, Huskvarna (SE)

(72) Inventors: **Ryan Casey Mitchell**, Charlotte, NC
(US); **Garrett Sherman**, Huntersville,
NC (US); **E. Arnold Fie, II**, Denver,
NC (US)

(73) Assignee: **Husqvarna AB**, Huskvarna (SE)

(**) Term: **15 Years**

(21) Appl. No.: **29/607,041**

(22) Filed: **Jun. 9, 2017**

(51) **LOC (12) Cl.** **08-06**

(52) **U.S. Cl.**
USPC **D8/321**

(58) **Field of Classification Search**
USPC D8/321, 359, 374, 375, 376, 377, 400,
D8/61, 64, 70, 363, 381, 354, 349, 403,
(Continued)

(56) **References Cited**

U.S. PATENT DOCUMENTS

6,339,735 B1 * 1/2002 Peless A01D 34/008
56/10.2 A
D559,658 S * 1/2008 Wohlford D8/354
(Continued)

OTHER PUBLICATIONS

Naviurway Replacement Keyless Entry Remote Ignition Key Silicone Button Pad Repair Fix for 4 buttons Dodge Chrysler Jeep key fob, posted Apr. 12, 2017, [retrieved Sep. 20, 2019]. Retrieved from Internet, <URL: <https://www.amazon.co.uk/Naviurway-Replacement-Ignition-Silicone-Chrysler/dp/B06ZZQMV8M> >.*

Primary Examiner — Shannon W Morgan

Assistant Examiner — Kristin E Reed

(74) *Attorney, Agent, or Firm* — Burr & Forman LLP

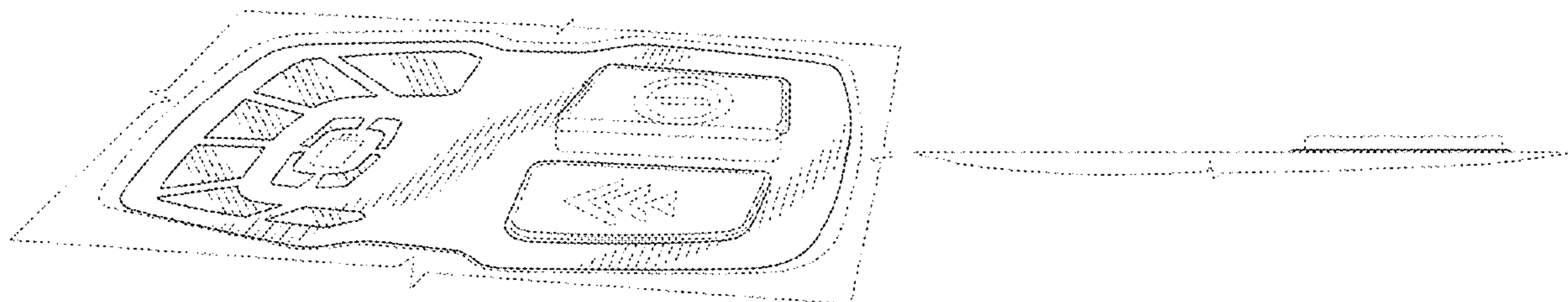
(57) **CLAIM**

The ornamental design for a human machine interface for outdoor power equipment, as shown and described.

DESCRIPTION

FIG. 1 is a perspective front view of a human machine interface for outdoor power equipment in accordance with an embodiment of the present invention;
FIG. 2 is a side perspective view of the human machine interface for outdoor power equipment of FIG. 1;
FIG. 3 is a top view of the human machine interface for outdoor power equipment of FIG. 1;
FIG. 4 is a left side view of the human machine interface for outdoor power equipment of FIG. 1;
FIG. 5 is a right side view of the human machine interface for outdoor power equipment of FIG. 1;
FIG. 6 is a front side view of the human machine interface for outdoor power equipment of FIG. 1;
FIG. 7 is a rear side view of the human machine interface for outdoor power equipment of FIG. 1;
FIG. 8 is a perspective view of the human machine interface for outdoor power equipment of FIG. 1 disposed on the handle of a piece of outdoor power equipment; and,
FIG. 9 is a perspective view of the human machine interface for outdoor power equipment of FIG. 1 disposed on the handle of a different piece of outdoor power equipment.
The broken showing of outdoor power equipment in FIGS. 8 and 9 show environments of use. The remaining broken lines shown in the drawings depict portions of the human machine interface for outdoor power equipment. The broken lines form no part of the claimed design.

1 Claim, 6 Drawing Sheets



(58) **Field of Classification Search**

USPC D8/57, 69, 310; D3/276; D6/587;
D7/318, 393, 600, 622, 705, 624.1, 502,
D7/553.1, 553.2, 553.4, 553.5, 553.6,
D7/554.2, 554.3; D9/531; D14/238, 373,
D14/448, 451, 452; D25/38.1, 41.1, 43,
D25/48.2, 48.3
CPC Y10T 16/10; Y10T 16/104; Y10T 16/124;
Y10T 16/1263; Y10T 16/127; Y10T
16/131; Y10T 16/14; Y10T 16/35; Y10T
16/3543; Y10T 16/37; Y10T 16/376;
Y10T 16/379; Y10T 16/387; Y10T
24/44573; Y10T 29/53543; Y10T
137/6903; Y10T 16/372; Y10T 16/375;
Y10T 16/378; Y10T 16/3797; Y10T
16/18; Y10T 16/1853; Y10T 16/1857;
Y10T 16/186; Y10T 16/209; Y10T
16/1937; A47H 1/02; B60B 7/20; B60B
19/06; B60B 37/10; B60B 2200/43; B60B
33/02; B60B 11/00; B64F 1/32; B65G
1/04; B65G 17/20; A47F 7/14; A47F
7/16; A47F 7/143; A47F 5/08; A47F
5/0807; A47F 5/0815; A47F 5/0838;

A47F 5/0846; A47F 5/0853; A47F 5/105;
H04N 1/00522; H04N 1/00533; H04N
1/00538; G06F 1/1637; G06F 1/1607;
G06F 1/1647; G06F 1/1692; G06F
3/1446; G06F 3/147; G06F 3/1423; A47G
1/141; A47G 29/00; F16M 11/26

See application file for complete search history.

(56)

References Cited

U.S. PATENT DOCUMENTS

D646,142 S * 10/2011 Stuckey D8/321
D646,143 S * 10/2011 Stuckey D8/321
D679,295 S * 4/2013 Tajik D15/14
8,424,829 B2 * 4/2013 Lu A45C 7/0036
248/152
9,497,901 B2 * 11/2016 Willgert G05D 1/0246
D773,225 S * 12/2016 Tse D15/28
D776,169 S * 1/2017 Cmich D15/14
D805,111 S * 12/2017 Fujiwara D15/14
D829,388 S * 9/2018 Chao D30/144
D836,861 S * 12/2018 Tse D32/15

* cited by examiner

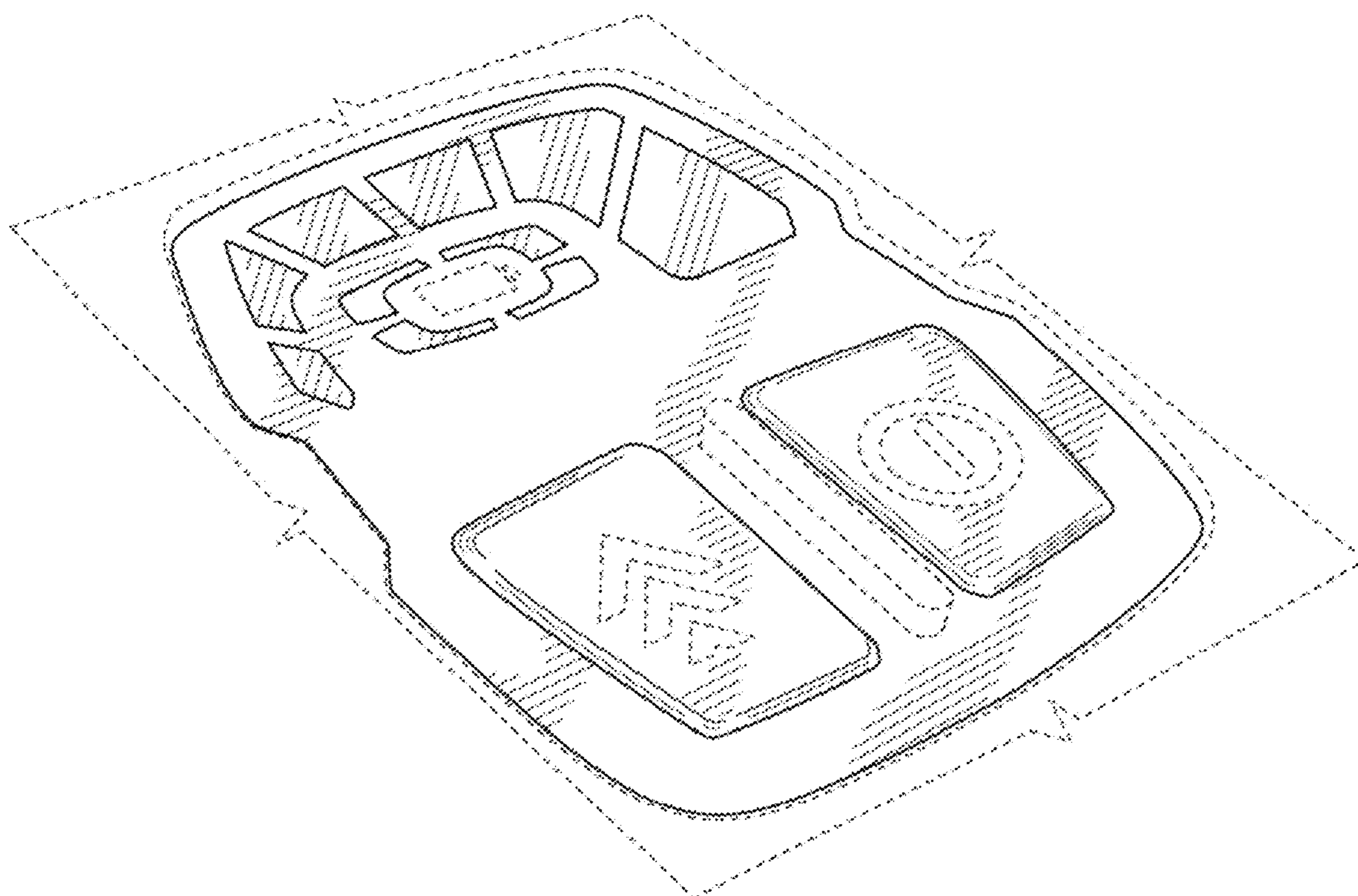


FIG. 1

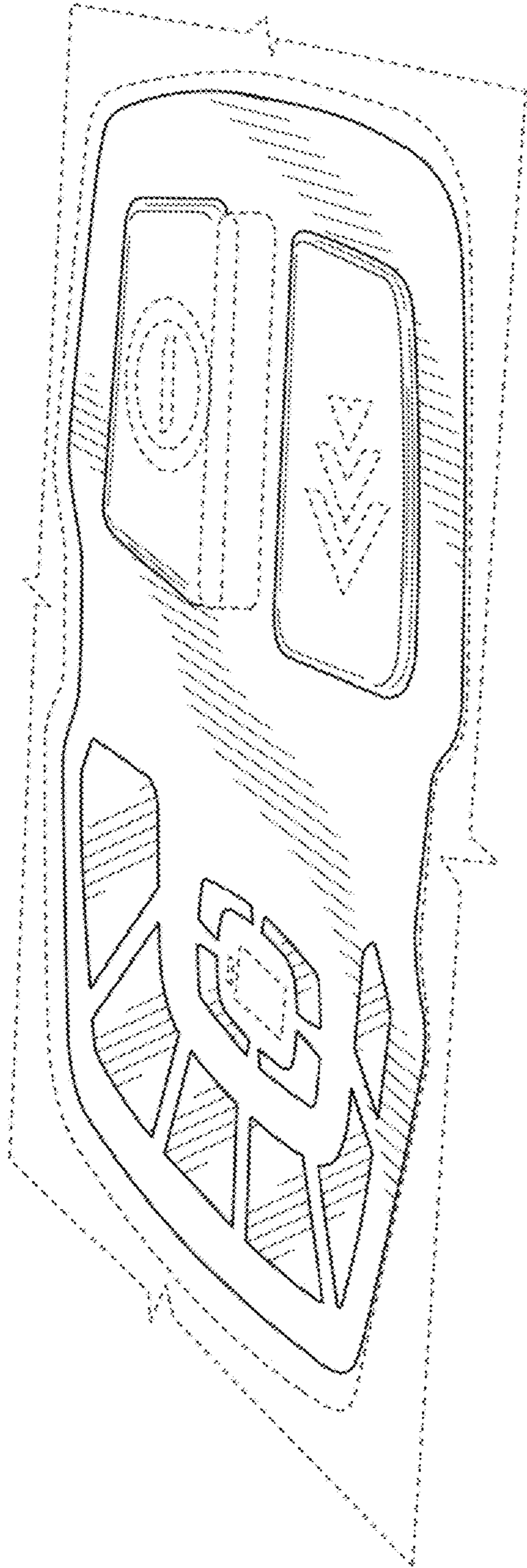


FIG. 2

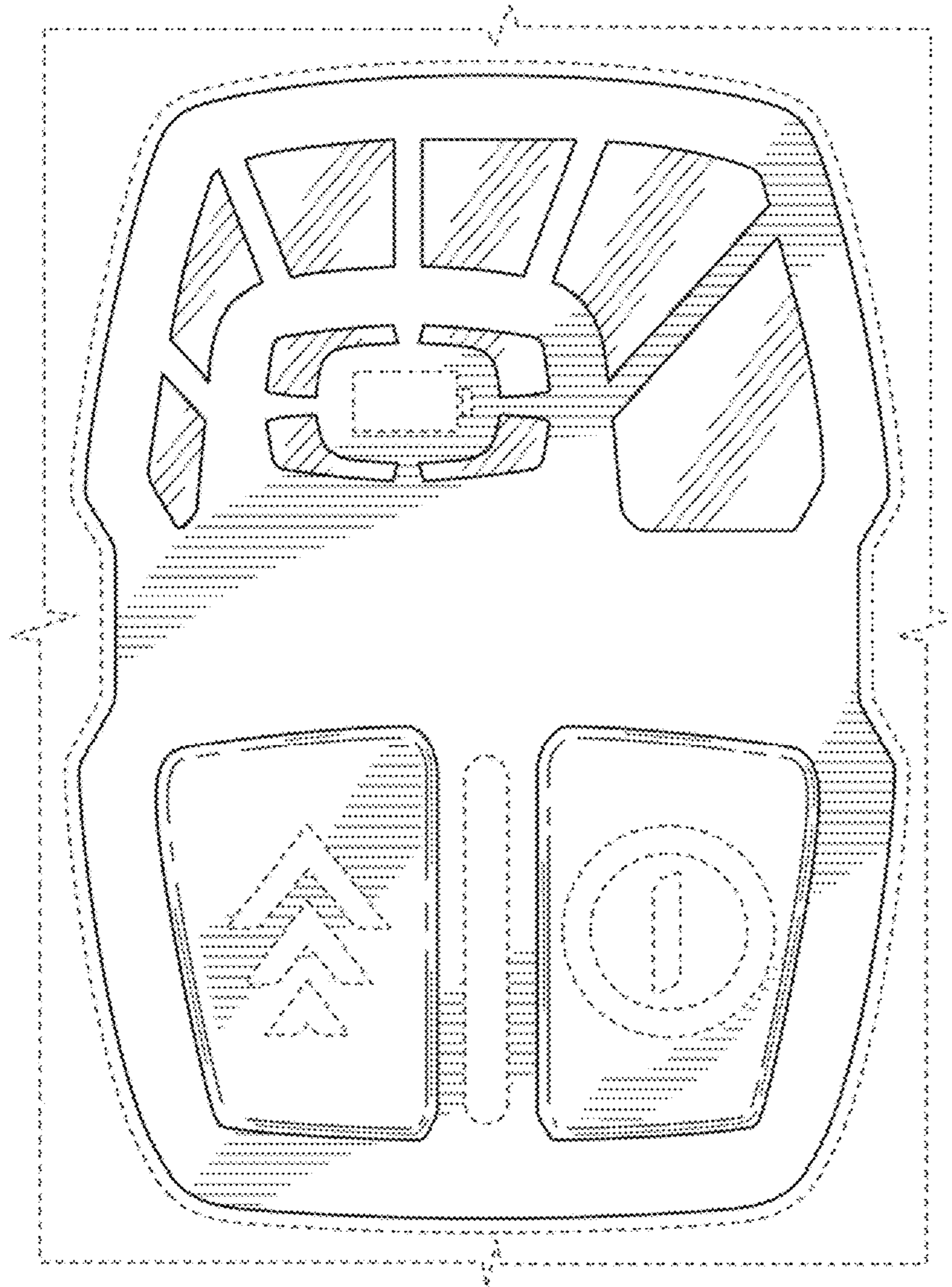


FIG. 3

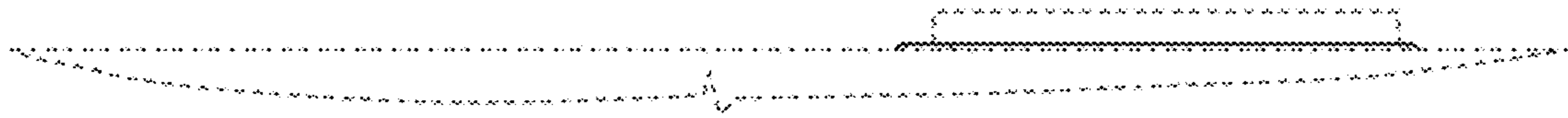


FIG. 4

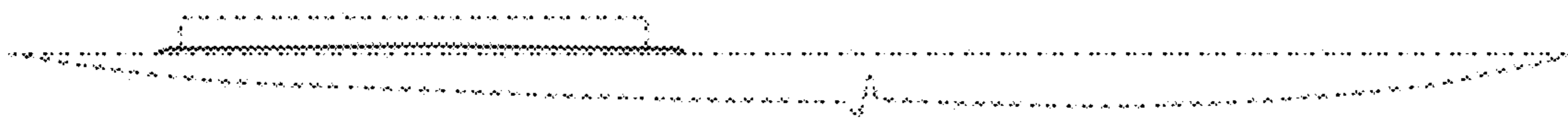


FIG. 5

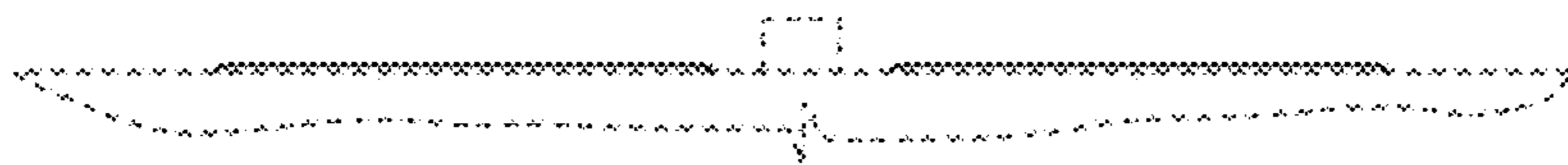


FIG. 6

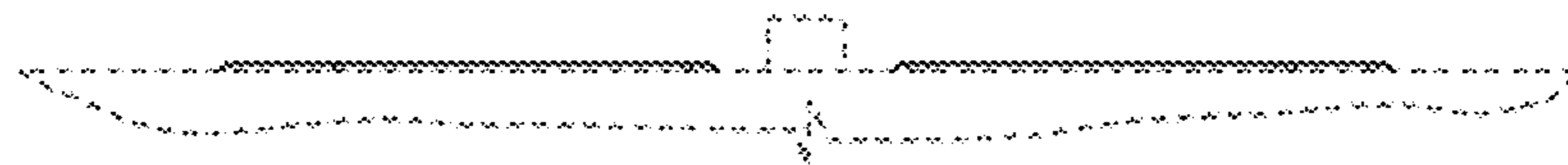


FIG. 7

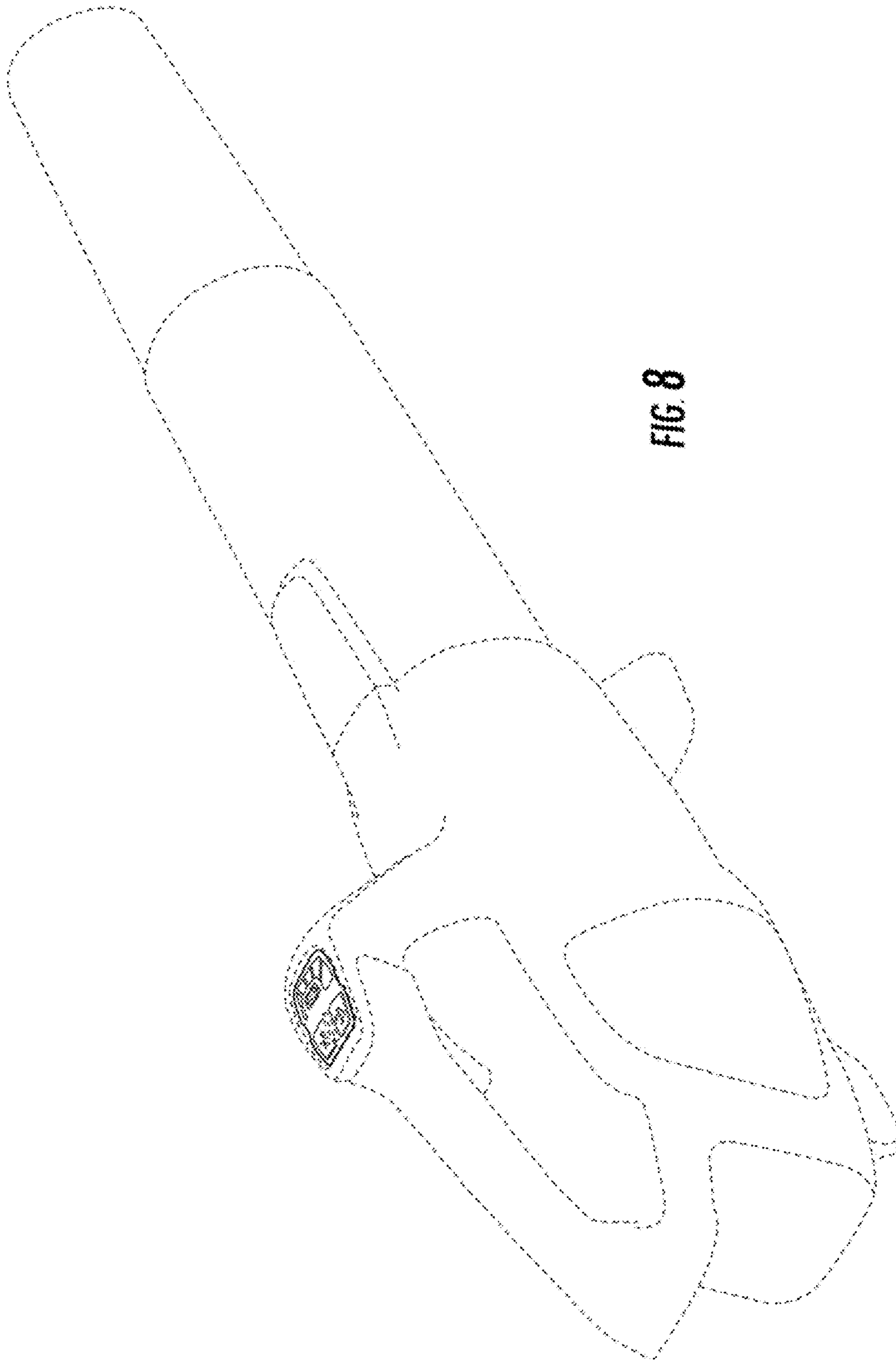


FIG. 8

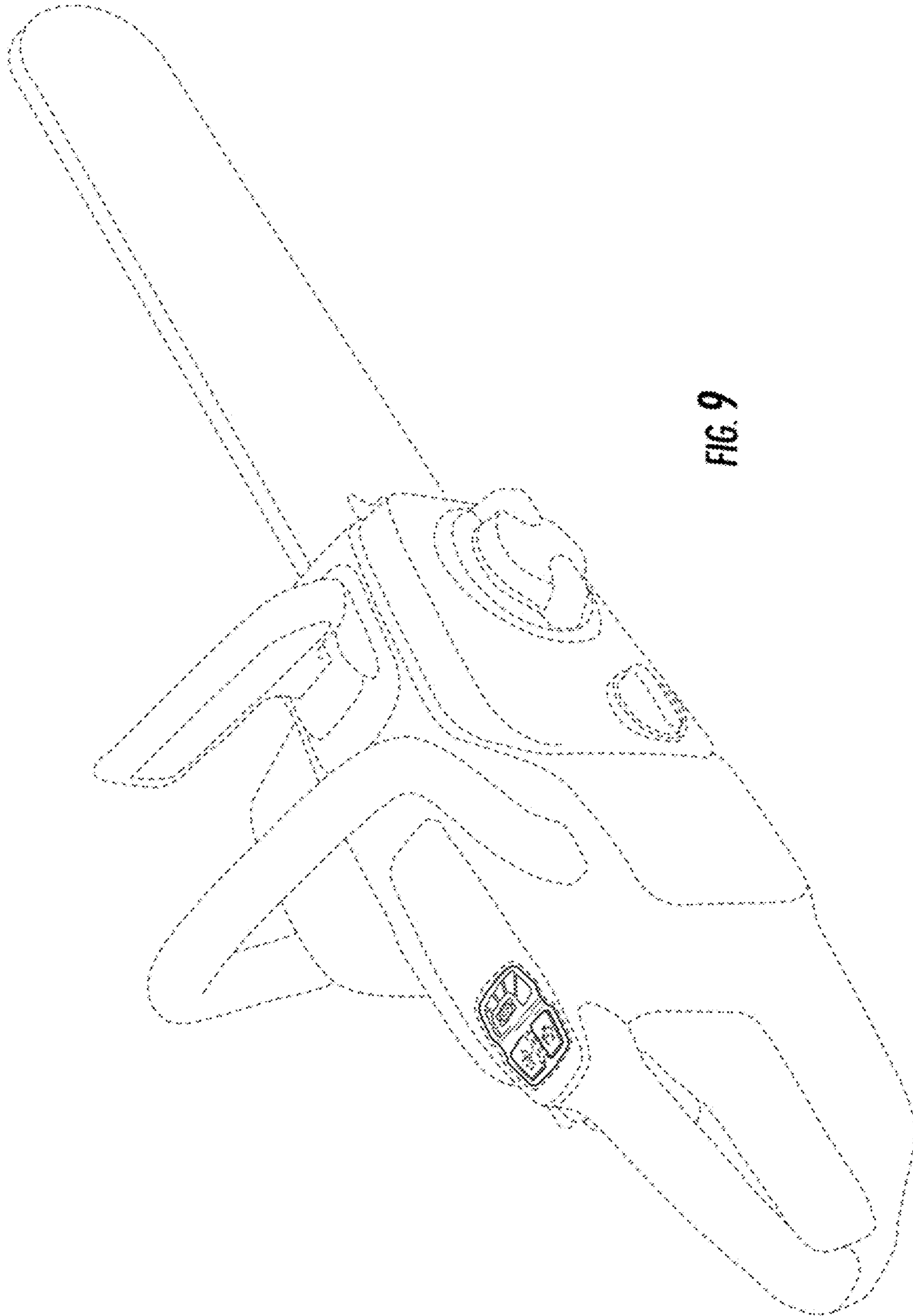


FIG. 9