



US00D886563S

(12) **United States Design Patent** (10) **Patent No.:** **US D886,563 S**
Marfione et al. (45) **Date of Patent:** **** Jun. 9, 2020**

(54) **POCKET KNIFE**
(71) Applicants: **Anthony Louis Marfione**, Fletcher, NC (US); **Kyle Chumchal**, Fletcher, NC (US)
(72) Inventors: **Anthony Louis Marfione**, Fletcher, NC (US); **Kyle Chumchal**, Fletcher, NC (US)
(73) Assignee: **Microtech Knives, Inc.**, Bradford, PA (US)
(**) Term: **15 Years**

D463,639 S * 9/2002 Panfili D32/48
D467,395 S * 12/2002 McCool D32/48
D560,994 S * 2/2008 Green D8/99
7,562,455 B2 7/2009 McHenry
7,574,804 B2 8/2009 Bezold
D599,186 S * 9/2009 Wu D8/99
8,402,663 B2 * 3/2013 McHenry B26B 1/08
30/162
8,671,578 B1 3/2014 Frazer
9,375,854 B2 6/2016 Chu
9,498,889 B1 11/2016 Hawk
D796,932 S 9/2017 Sung
9,764,485 B1 9/2017 Hawk
9,826,810 B2 * 11/2017 Singer A45C 1/06
D810,540 S 2/2018 Marfione
10,220,527 B1 3/2019 Marfione
10,500,740 B1 * 12/2019 Marfione B26B 1/08

(21) Appl. No.: **29/690,746**
(22) Filed: **May 10, 2019**
(51) **LOC (12) Cl.** **08-03**
(52) **U.S. Cl.**
USPC **D8/99**
(58) **Field of Classification Search**
USPC D8/98, 99, 100, 105, 107; D22/118
CPC B26B 5/001; B26B 5/003; B26B 11/00;
B26B 1/08; B26B 1/02; B26B 1/10;
B26B 1/04; B26B 1/042; B26B 1/048;
B26B 3/08; B26B 29/06
See application file for complete search history.

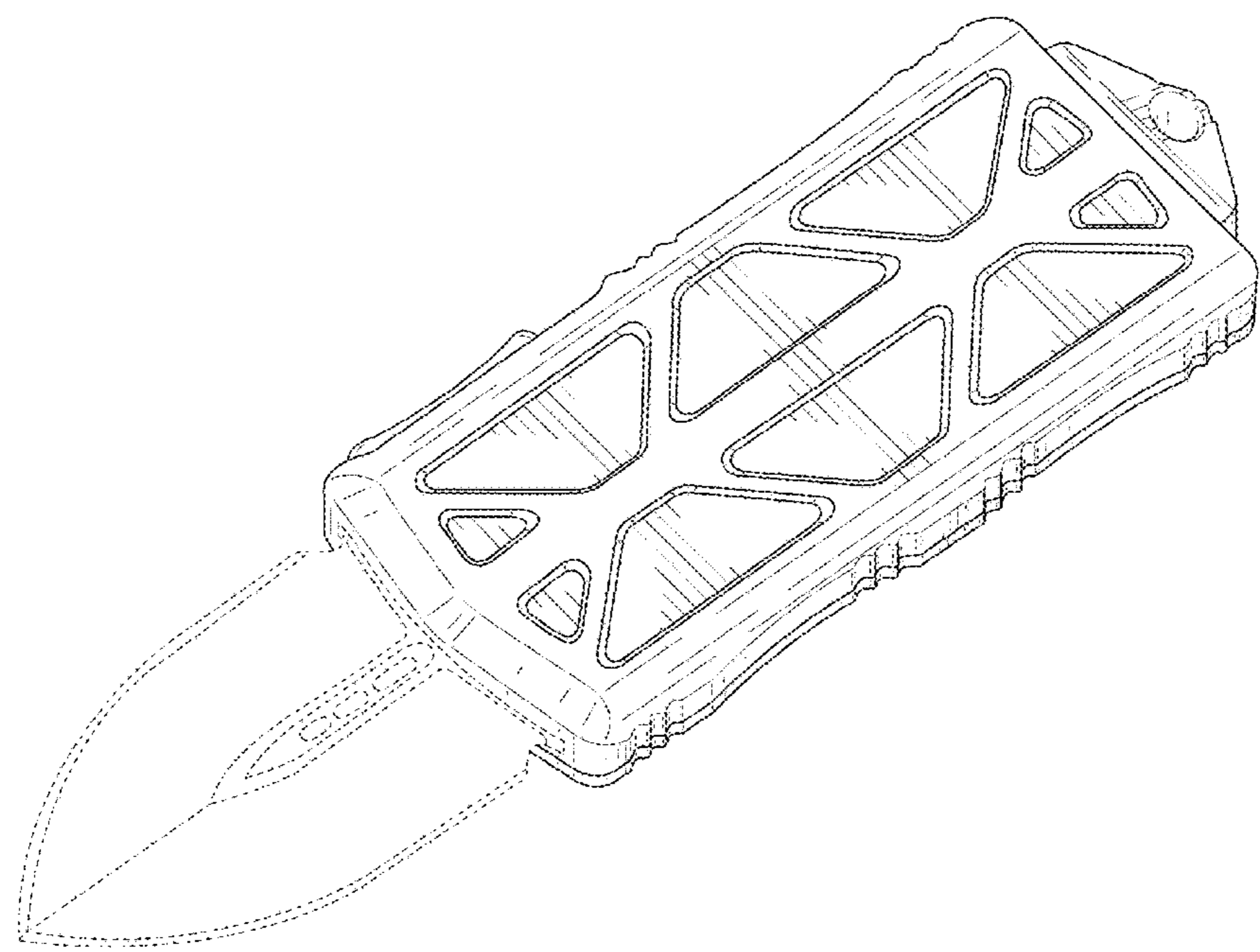
* cited by examiner
Primary Examiner — Philip S Hyder
(74) *Attorney, Agent, or Firm* — Steve LeBlanc, LLC

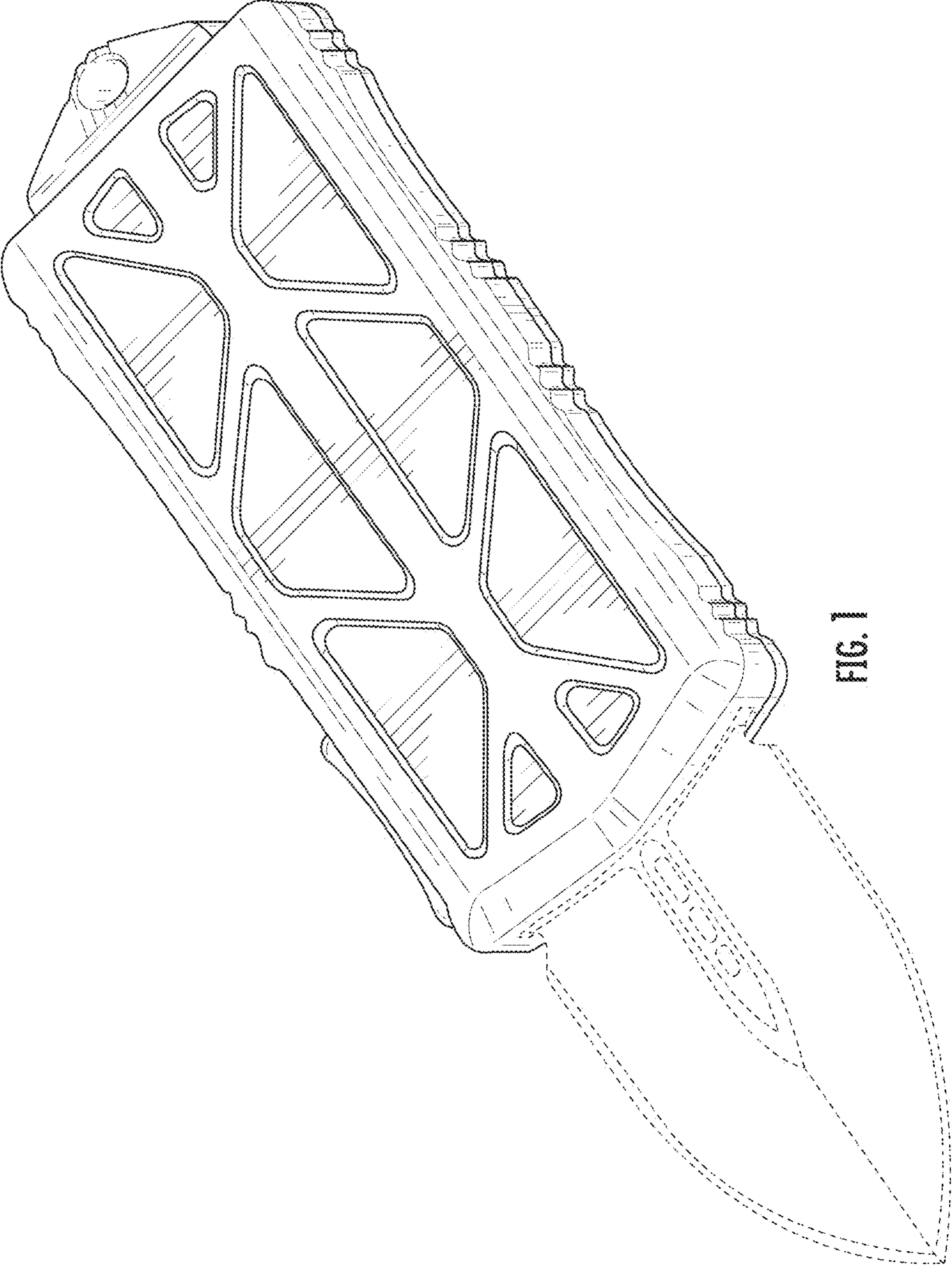
(56) **References Cited**
U.S. PATENT DOCUMENTS
4,447,950 A * 5/1984 Mizelle B26B 11/00
30/155
D288,898 S * 3/1987 Osterhout D8/99
4,926,555 A * 5/1990 Lemaire B26B 1/08
30/162
D336,602 S * 6/1993 Thompson D8/99
D430,476 S * 9/2000 Thompson D8/45

(57) **CLAIM**
The ornamental design for a pocket knife, as shown and described.

DESCRIPTION
FIG. 1 is a front perspective view of the pocket knife;
FIG. 2 is a top side view of the pocket knife;
FIG. 3 is a bottom side view of the pocket knife;
FIG. 4 is a right side view of the pocket knife;
FIG. 5 is a left side view of the pocket knife;
FIG. 6 is a rear side view of the pocket knife; and,
FIG. 7 is a front side view of the pocket knife.
The broken lines depict portions of the pocket knife in which the design is embodied that are not considered part of the claimed design.

1 Claim, 5 Drawing Sheets





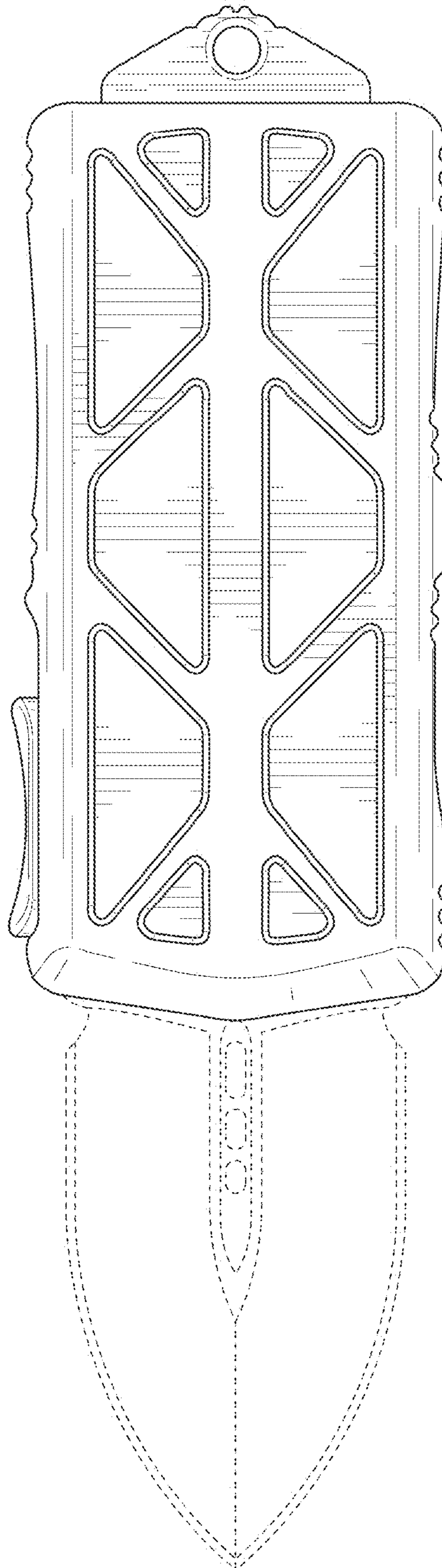


FIG. 2

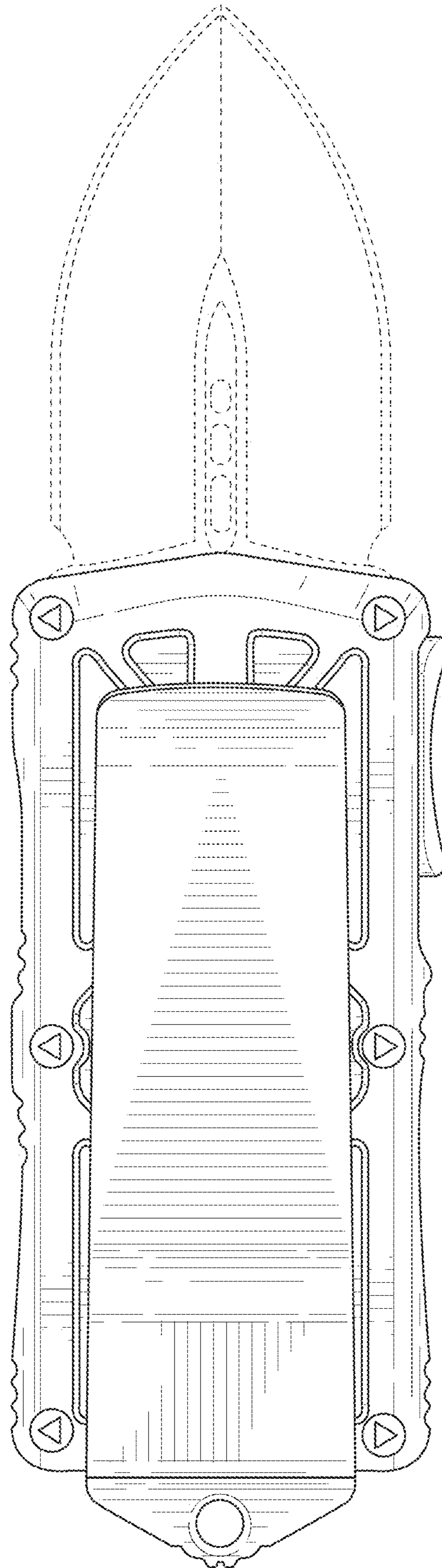


FIG. 3

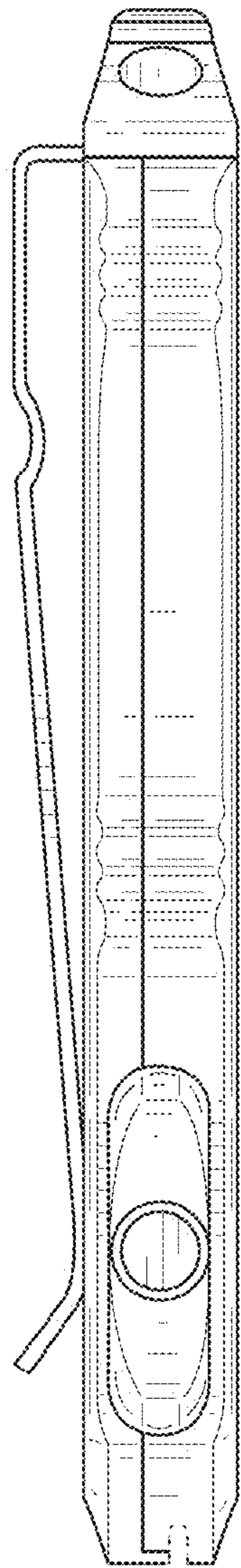


FIG. 4

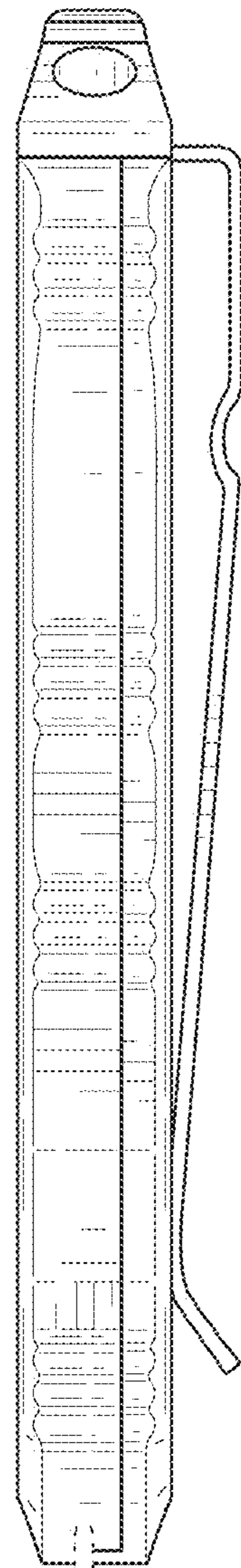


FIG. 5

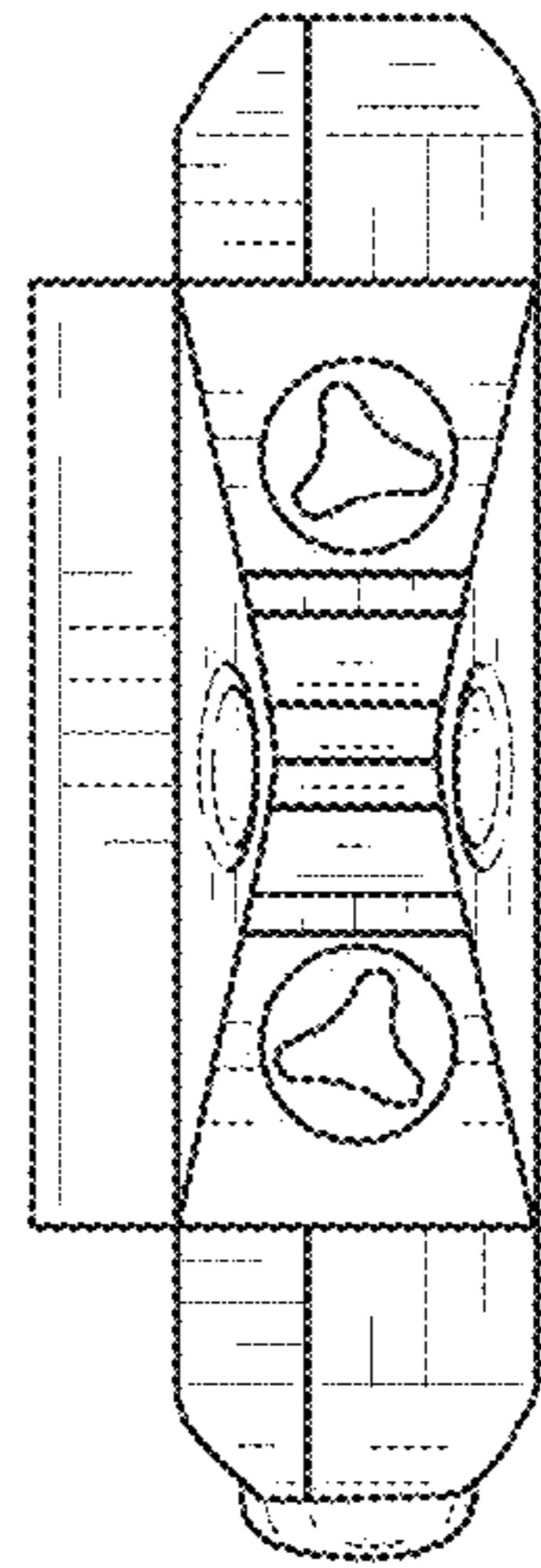


FIG. 6

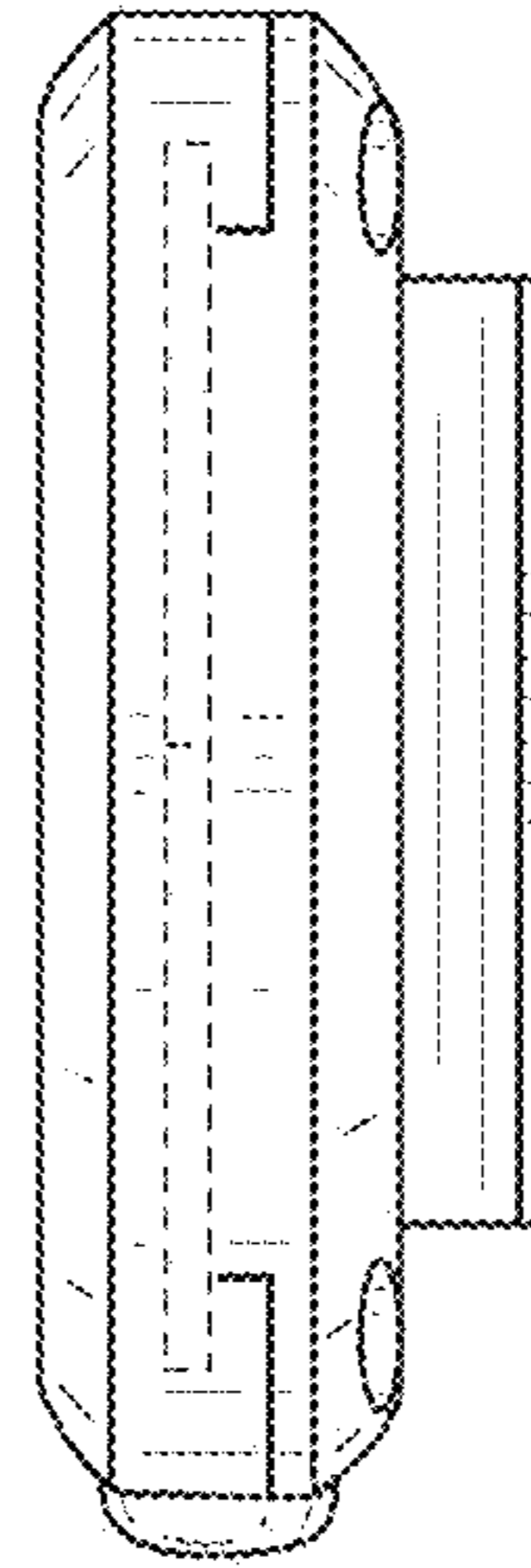


FIG. 7