



US00D886562S

(12) **United States Design Patent** (10) **Patent No.:** **US D886,562 S**
Mizelle (45) **Date of Patent:** **** Jun. 9, 2020**

(54) **CONSTRUCTION TOOL**
(71) Applicant: **R. Derek Mizelle**, Ayden, NC (US)
(72) Inventor: **R. Derek Mizelle**, Ayden, NC (US)
(73) Assignee: **R. Derek Mizelle**, Ayden, NC (US)
(**) Term: **15 Years**
(21) Appl. No.: **29/665,315**

Primary Examiner — Philip S Hyder
(74) *Attorney, Agent, or Firm* — Stanek Lemon Crouse & Meeks, PA

(22) Filed: **Oct. 2, 2018**
(51) **LOC (12) Cl.** **08-05**
(52) **U.S. Cl.**
USPC **D8/88**
(58) **Field of Classification Search**
USPC D8/14, 88, 89, 7, 11, 6, 8, 9, 10, 105
CPC B66F 15/00; B25C 11/00
See application file for complete search history.

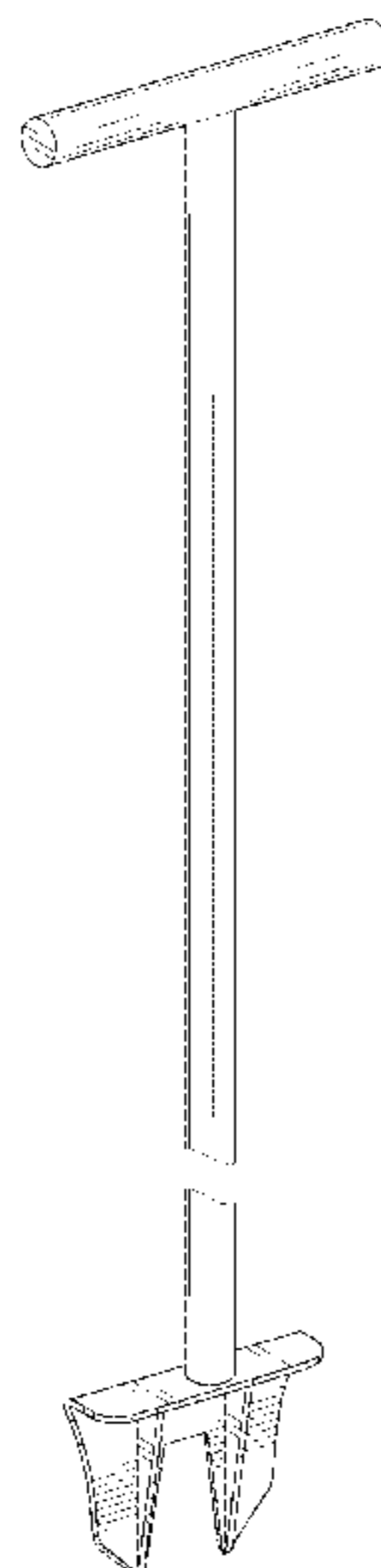
(57) **CLAIM**
The ornamental design for a construction tool, as shown and described.

(56) **References Cited**
U.S. PATENT DOCUMENTS
1,552,912 A 9/1925 Colt
1,559,976 A * 11/1925 Ness E04G 23/08
254/131
2,676,784 A 4/1954 Howard
2,718,374 A 9/1955 Kellenberger
2,956,777 A 10/1960 Ames
3,049,337 A * 8/1962 Griggs E04G 23/08
254/131
D270,895 S * 10/1983 Holloway D8/89
4,599,779 A * 7/1986 Thibault E04G 21/16
29/283
D327,206 S * 6/1992 Johnson D8/14
5,165,659 A * 11/1992 L'Heureux A62B 3/005
254/131
5,176,363 A * 1/1993 Bowlin B25C 11/00
254/131
5,248,127 A 9/1993 Young
5,447,289 A * 9/1995 Callahan B25C 11/00
254/131
5,478,050 A 12/1995 Ott
D377,359 S * 1/1997 Chung D15/70

DESCRIPTION
FIG. 1 is a front perspective view of the construction tool showing the design;
FIG. 2 is a front view thereof;
FIG. 3 is a rear view thereof;
FIG. 4 is a side view thereof;
FIG. 5 is a side view opposite that shown in FIG. 4;
FIG. 6 is a top view thereof;
FIG. 7 is a bottom view thereof;
FIG. 8 is a front perspective view of another embodiment of the construction tool showing the design;
FIG. 9 is a front view thereof;
FIG. 10 is a rear view thereof;
FIG. 11 is a side view thereof;
FIG. 12 is a side view opposite that shown in FIG. 11;
FIG. 13 is a top view thereof;
FIG. 14 is a bottom view thereof;
FIG. 15 is a front perspective view of another embodiment of the construction tool showing the design;
FIG. 16 is a front view thereof;
FIG. 17 is a rear view thereof;
FIG. 18 is a side view thereof;
FIG. 19 is a side view opposite that shown in FIG. 18;
FIG. 20 is a top view thereof; and,
FIG. 21 is a bottom view thereof.

The broken lines shown in the drawing views are included for the purpose of illustrating portions of the construction tool that form no part of the claimed design.

1 Claim, 12 Drawing Sheets



(56)

References Cited

U.S. PATENT DOCUMENTS

5,826,858 A	10/1998	Gordon	8,342,482 B2 *	1/2013	Smith	B66F 15/00
D417,600 S	12/1999	Heatwole				254/131.5
6,058,809 A *	5/2000	Flanz	D693,910 S *	11/2013	Bates	D23/295
	 E04D 15/003	8,763,225 B2 *	7/2014	Bruce	B25B 27/02
		254/131				29/270
6,113,074 A *	9/2000	Foley	D764,244 S	8/2016	Brock	
	 B25G 1/06	D770,249 S *	11/2016	Mathieu	D8/10
		254/131.5	D772,036 S *	11/2016	Frassetto	D8/14
D450,992 S	11/2001	Abshire	D780,542 S	3/2017	Rojas	
6,616,132 B1	9/2003	Ellison	9,821,175 B2 *	11/2017	Dapkins, Jr.	A62B 3/005
6,644,627 B1 *	11/2003	Forrester	10,344,488 B2 *	7/2019	Bridges	B66F 15/00
	 B66F 15/00	2002/0134971 A1 *	9/2002	Christensen	B66F 15/00
		254/131				254/25
D532,273 S *	11/2006	Yoson	2005/0212314 A1	9/2005	Roderick	
D569,211 S *	5/2008	Peddie	2006/0137291 A1	6/2006	Jensen	
D618,978 S *	7/2010	Nolle	2007/0125991 A1	6/2007	Mrugalski	
8,091,865 B2 *	1/2012	Eric	2010/0186344 A1	7/2010	Jones	
	 B66F 15/00	2010/0207081 A1 *	8/2010	Liou	B25D 1/00
		254/25				254/129
D666,469 S *	9/2012	Melanson	2016/0039111 A1	2/2016	Pelc	
	 D8/89				

* cited by examiner

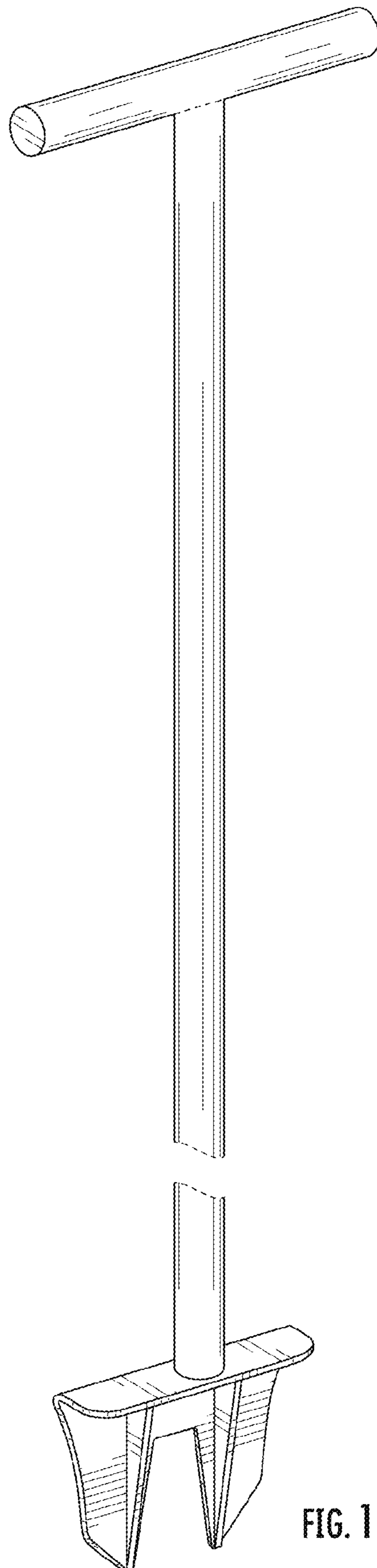


FIG. 1

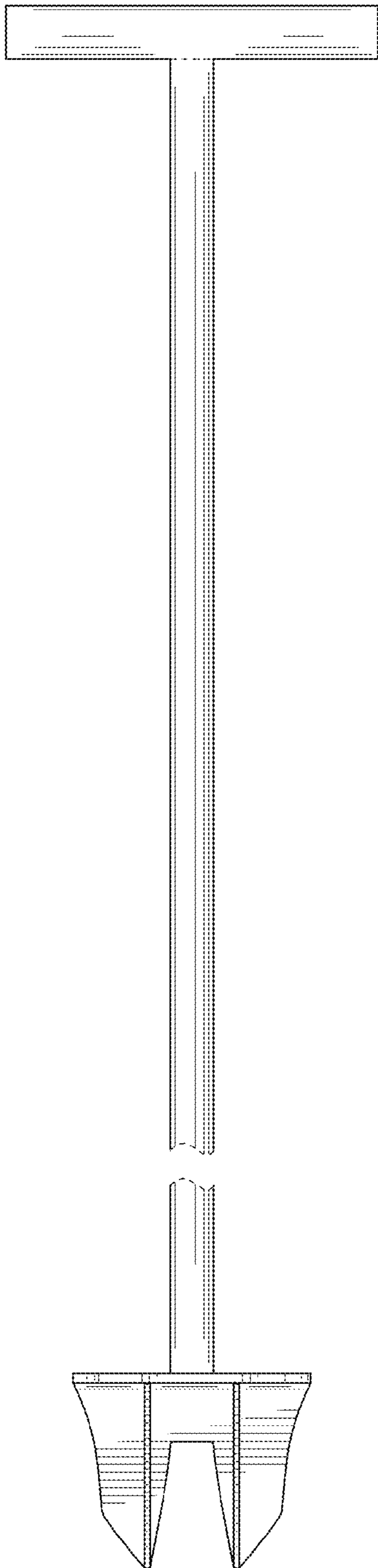


FIG. 2

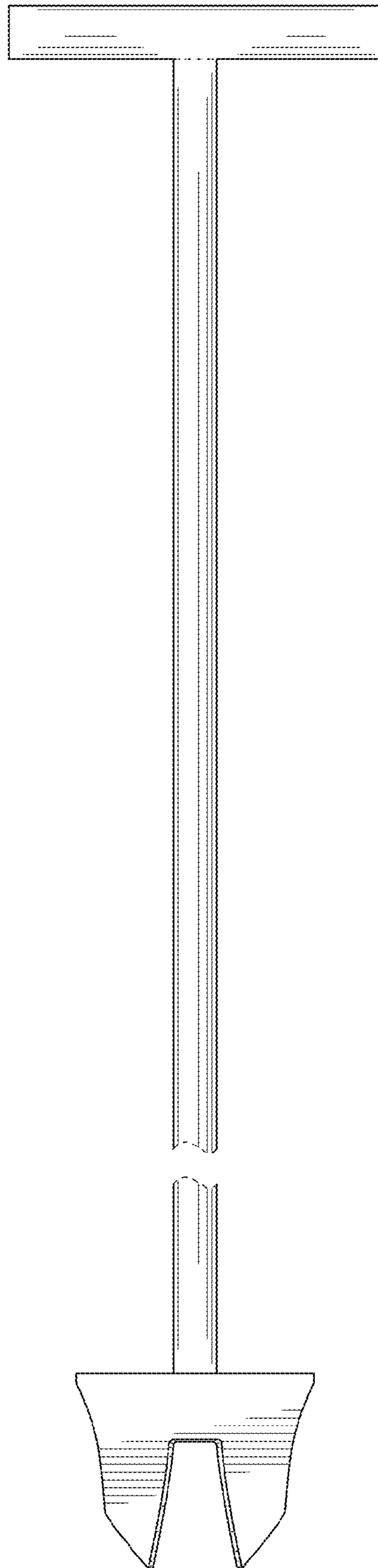


FIG. 3

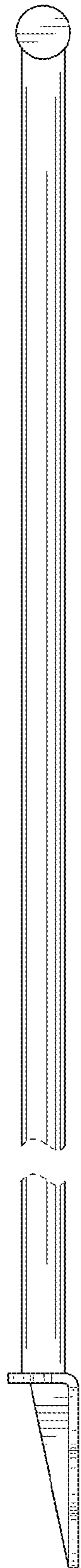


FIG. 4

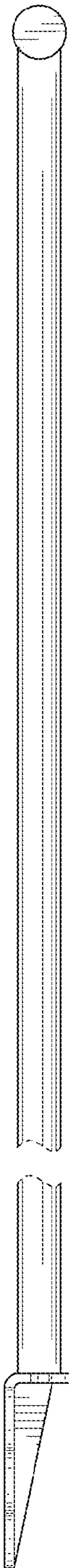


FIG. 5

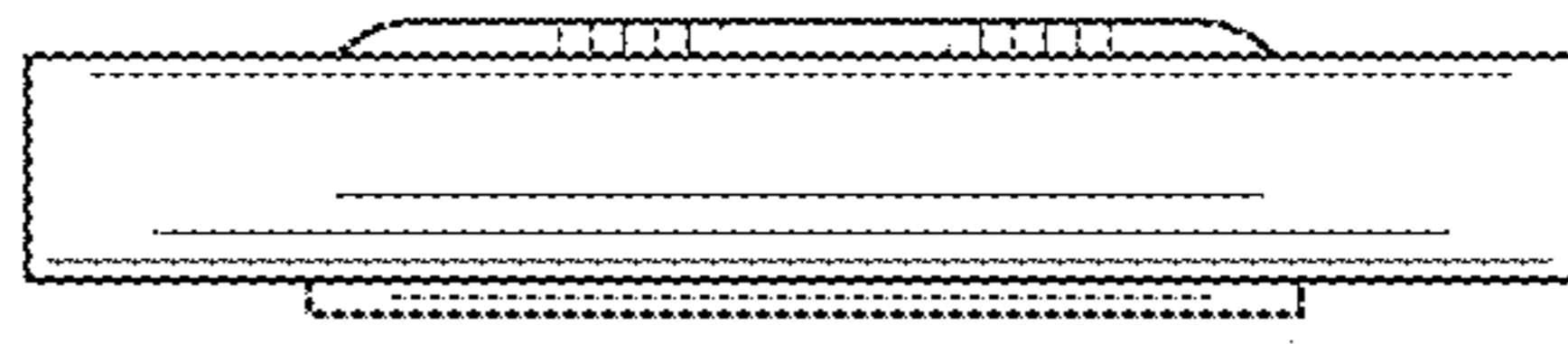


FIG. 6

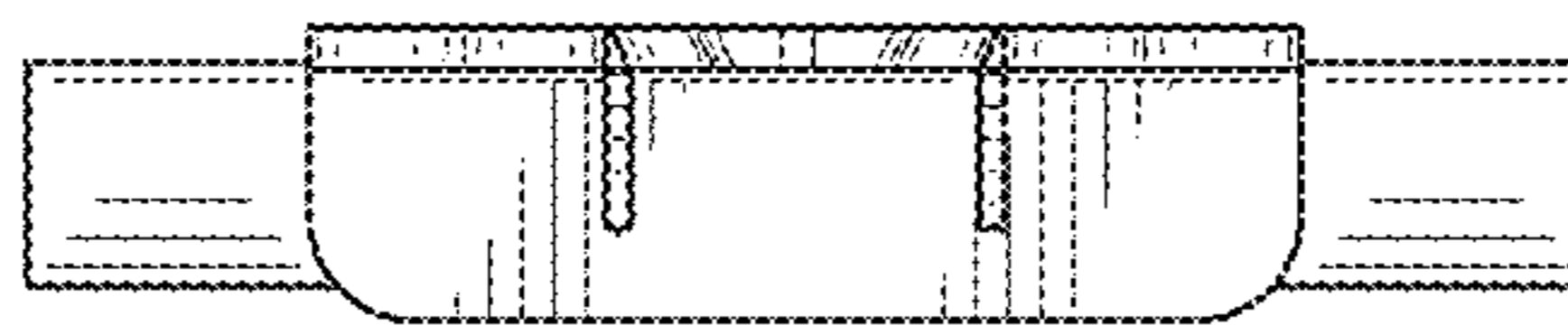


FIG. 7

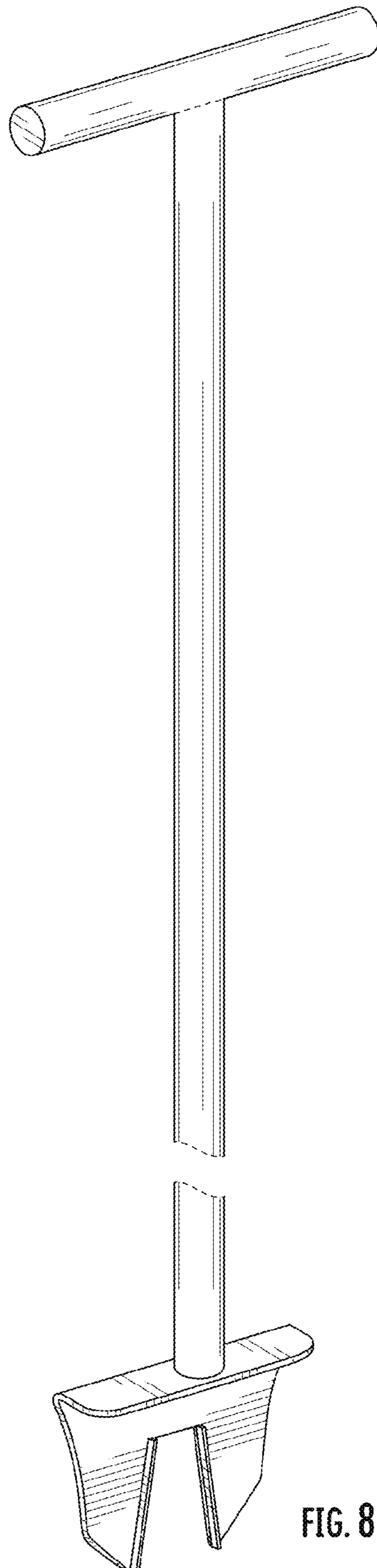


FIG. 8

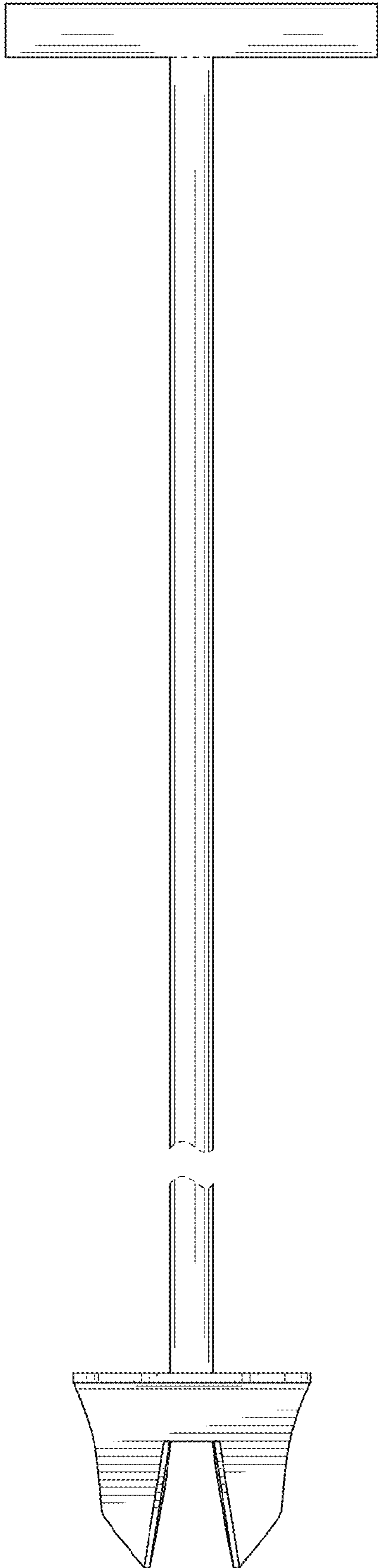


FIG. 9

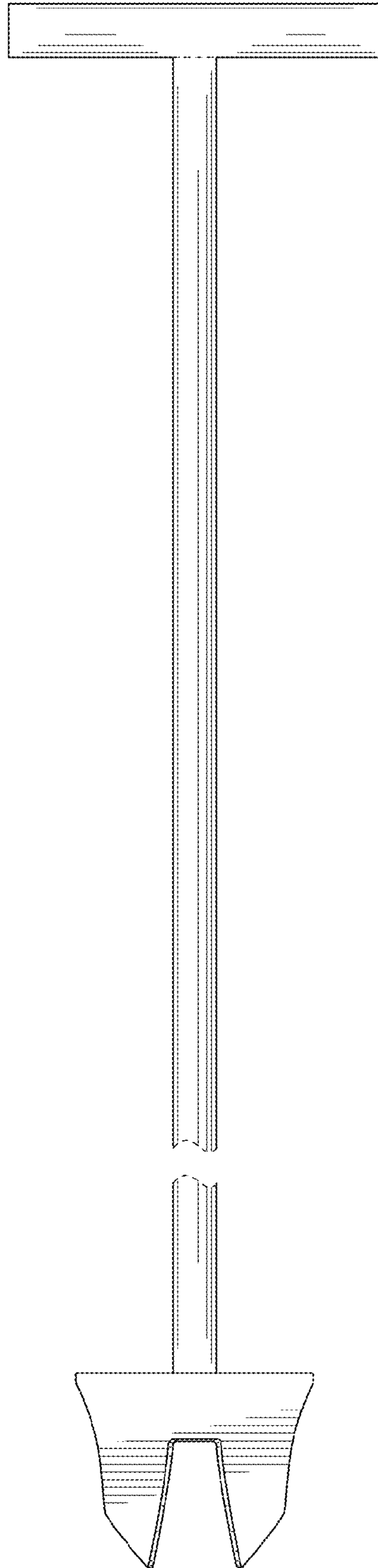


FIG. 10

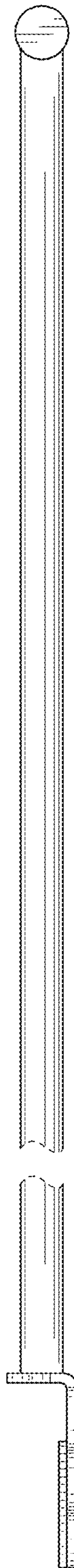


FIG. 11

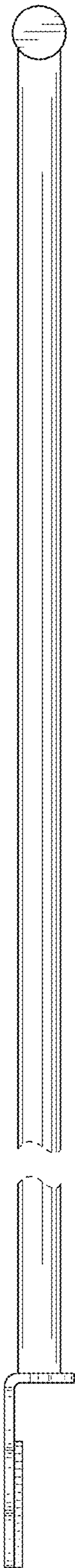


FIG. 12



FIG. 13

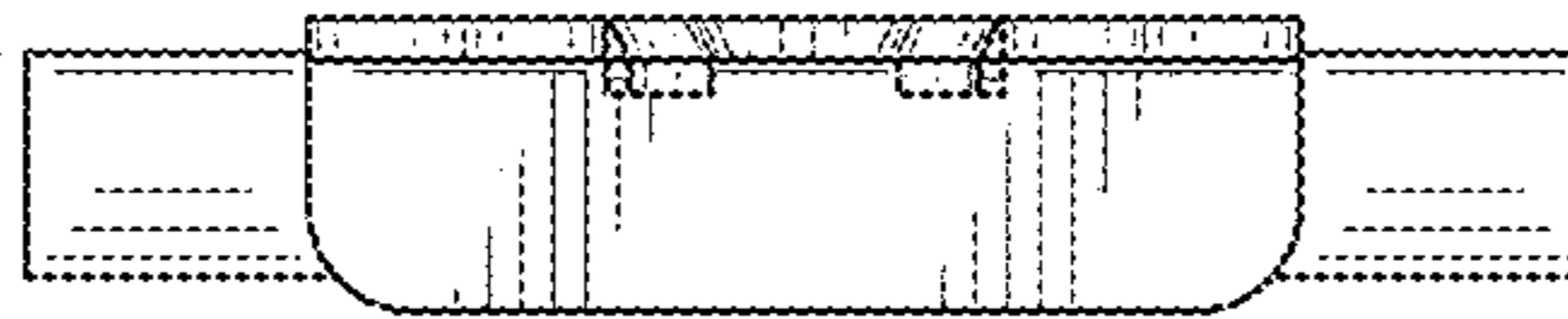


FIG. 14

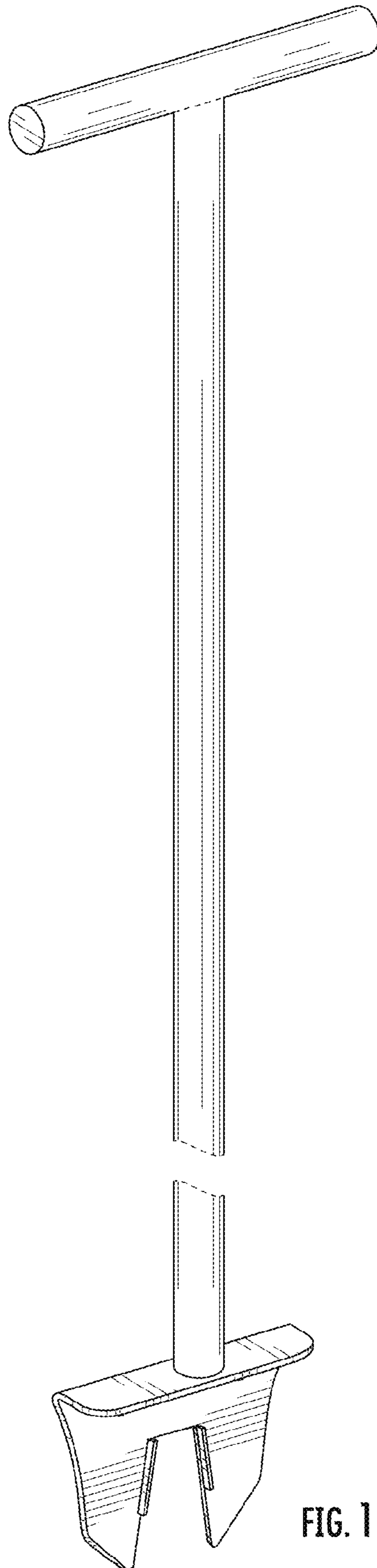


FIG. 15

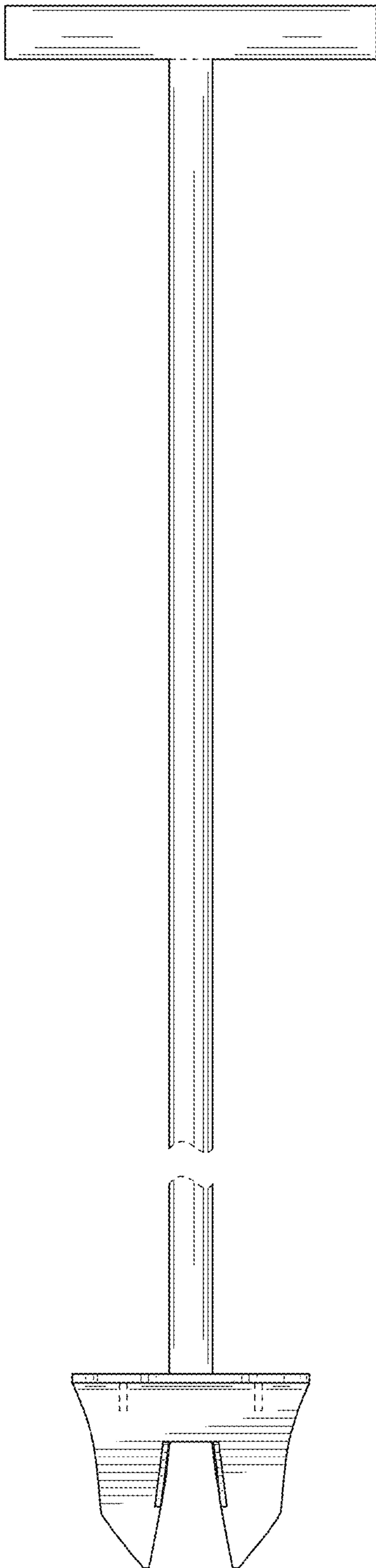


FIG. 16

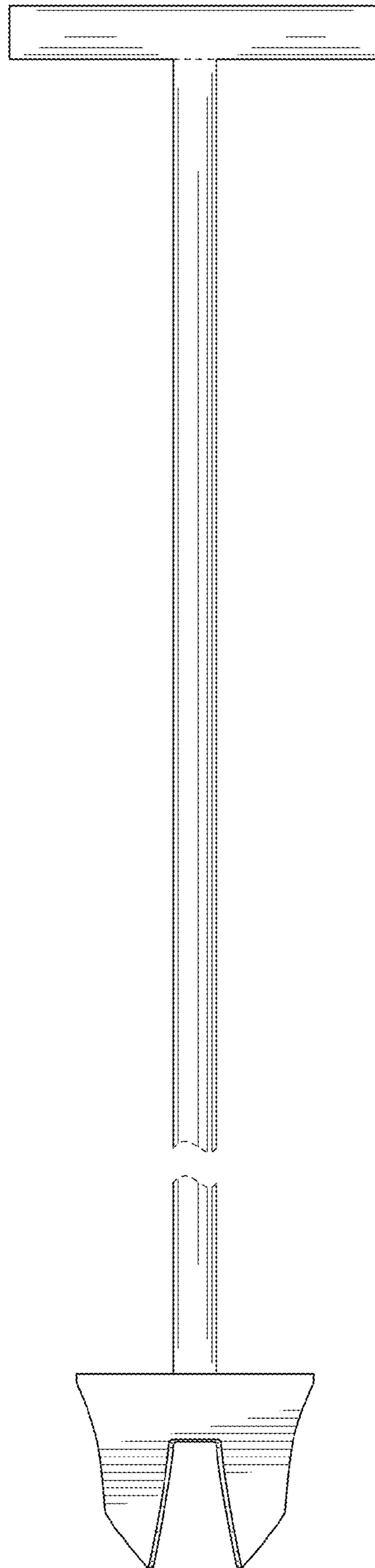


FIG. 17

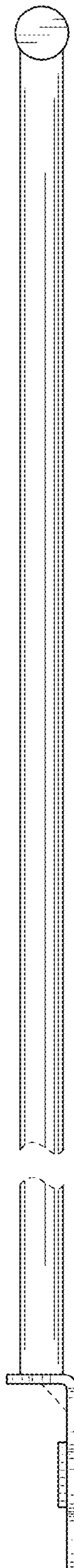


FIG. 18

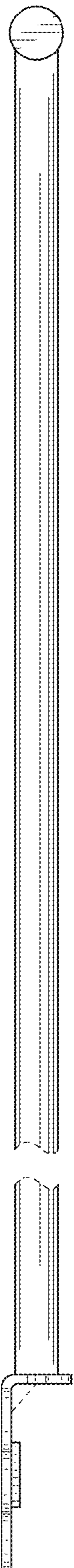


FIG. 19

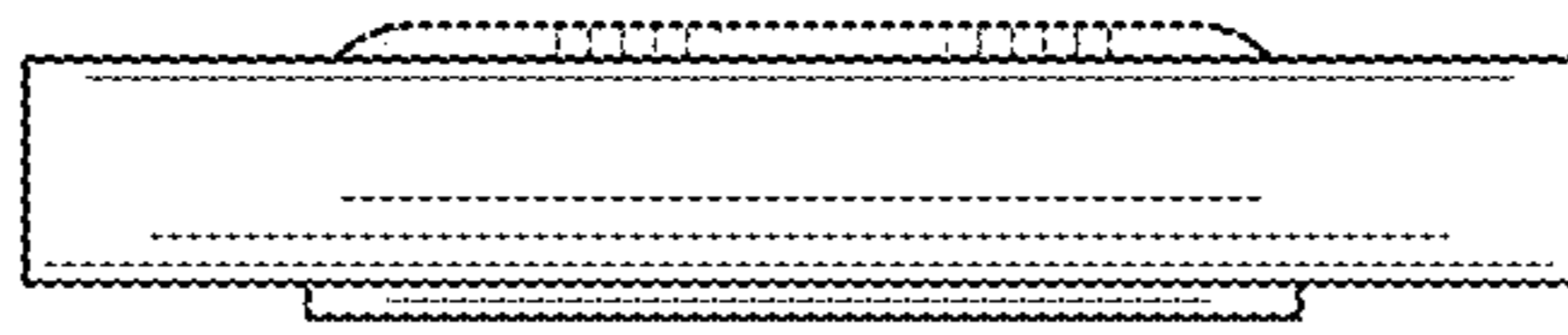


FIG. 20

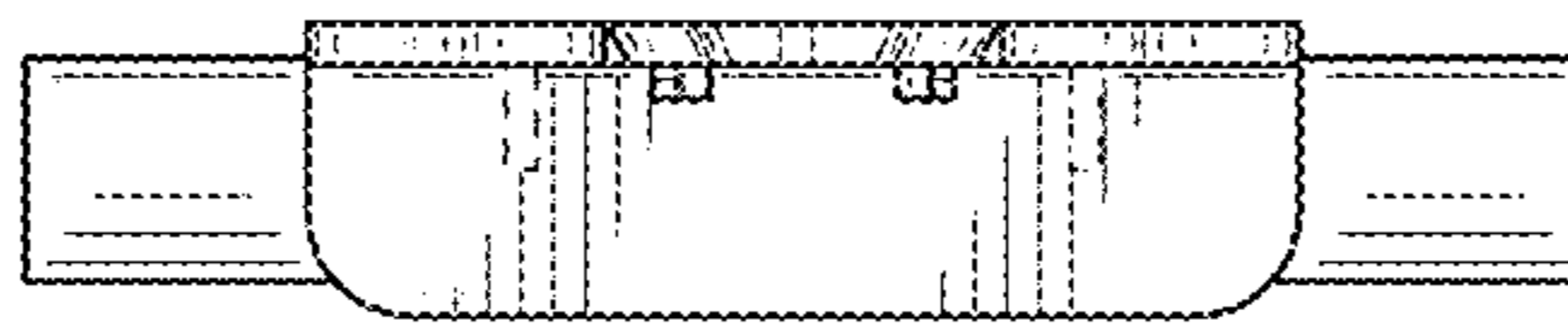


FIG. 21