



US00D886560S

(12) **United States Design Patent**
Heinrich

(10) **Patent No.:** **US D886,560 S**

(45) **Date of Patent:** **** Jun. 9, 2020**

- (54) **MASONRY CUTTING TOOL**
- (71) Applicant: **Gordon Heinrich**, Narvon, PA (US)
- (72) Inventor: **Gordon Heinrich**, Narvon, PA (US)
- (**) Term: **15 Years**
- (21) Appl. No.: **29/671,214**
- (22) Filed: **Nov. 26, 2018**
- (51) **LOC (12) Cl.** **08-05**
- (52) **U.S. Cl.**
USPC **D8/47; D8/14**
- (58) **Field of Classification Search**
USPC D8/14, 47, 45, 76, 98, 349, 354, 382;
D25/119, 120, 126; D1/199; D21/505,
D21/682
CPC B28D 1/125; B28D 1/228; B28D 1/00
See application file for complete search history.

- D587,819 S * 3/2009 Ryan D25/119
- D621,249 S * 8/2010 Heindl D8/382
- 8,136,516 B2 * 3/2012 Karau B28D 1/222
125/23.01
- 8,302,591 B2 * 11/2012 LaCroix B28B 17/0027
125/23.01
- D723,186 S * 2/2015 Taylor D25/119
- D723,187 S * 2/2015 Taylor D25/119
- D723,188 S * 2/2015 Taylor D25/119
- D725,296 S * 3/2015 Taylor D25/126
- D725,297 S * 3/2015 Taylor D25/126
- 2008/0092869 A1 * 4/2008 Karau B28D 1/222
125/23.01
- 2010/0218752 A1 * 9/2010 Smith B28D 1/327
125/23.01
- 2020/0023552 A1 * 1/2020 Heinrich B28D 1/225

* cited by examiner

Primary Examiner — Philip S Hyder
(74) *Attorney, Agent, or Firm* — Steve O'Donnell

(57) **CLAIM**

I claim the ornamental design for a masonry cutting tool, as shown.

(56) **References Cited**

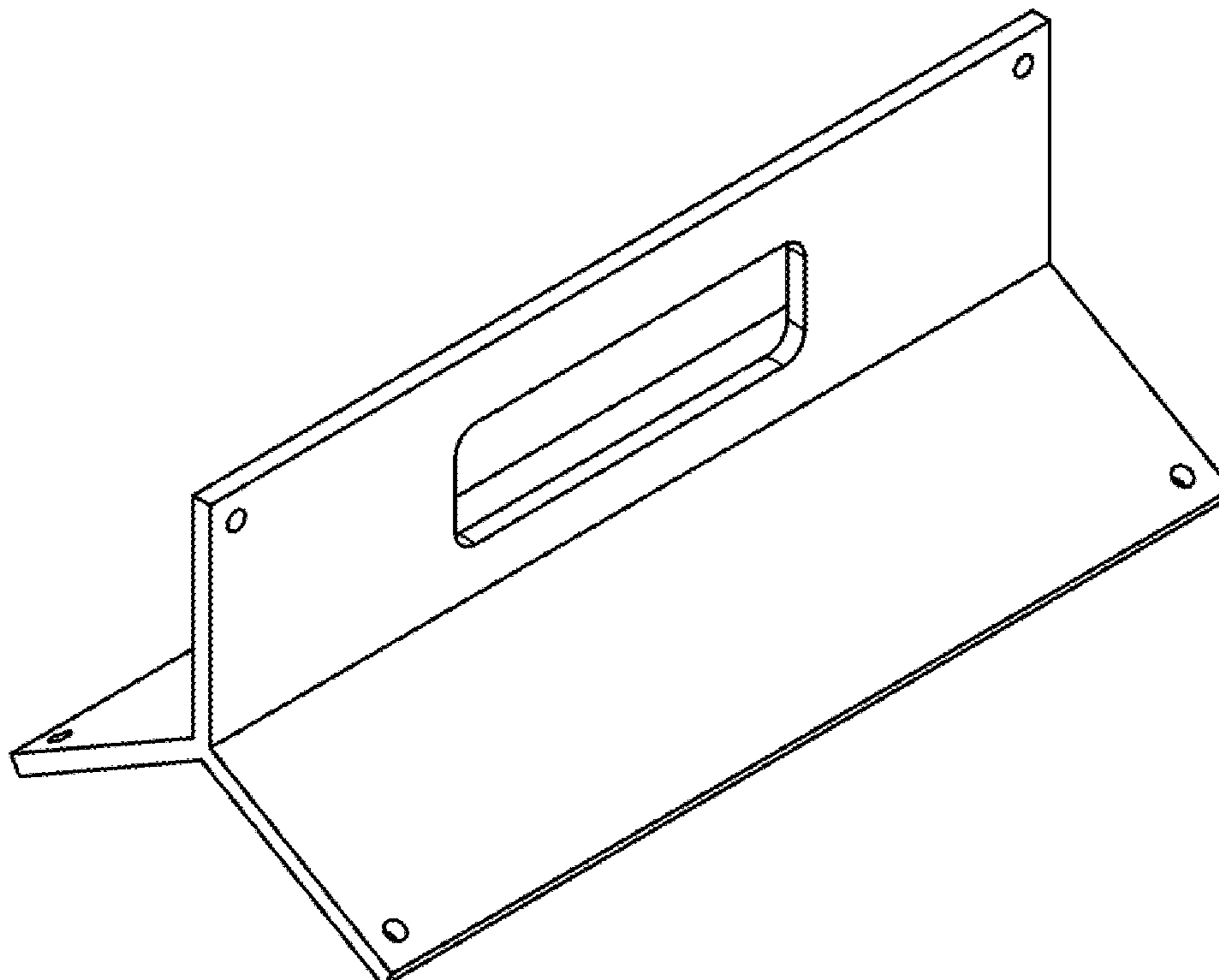
U.S. PATENT DOCUMENTS

- 1,479,291 A * 1/1924 Evans E04H 17/10
256/57
- 2,653,594 A * 9/1953 Findley B28D 1/223
125/23.01
- 5,590,639 A * 1/1997 Kempin B25D 3/00
125/41
- 6,827,073 B1 * 12/2004 Morrell B28D 1/222
125/12
- 7,146,974 B2 * 12/2006 Scherer B28D 1/006
125/23.01
- D544,105 S * 6/2007 Flechsig D25/119

DESCRIPTION

FIG. 1 is a perspective view of a masonry cutting tool showing my design;
FIG. 2 is another perspective view thereof;
FIG. 3 is a top plan view thereof;
FIG. 4 is bottom view thereof.
FIG. 5 is a front elevation view thereof; and,
FIG. 6 is a side view thereof.

1 Claim, 2 Drawing Sheets



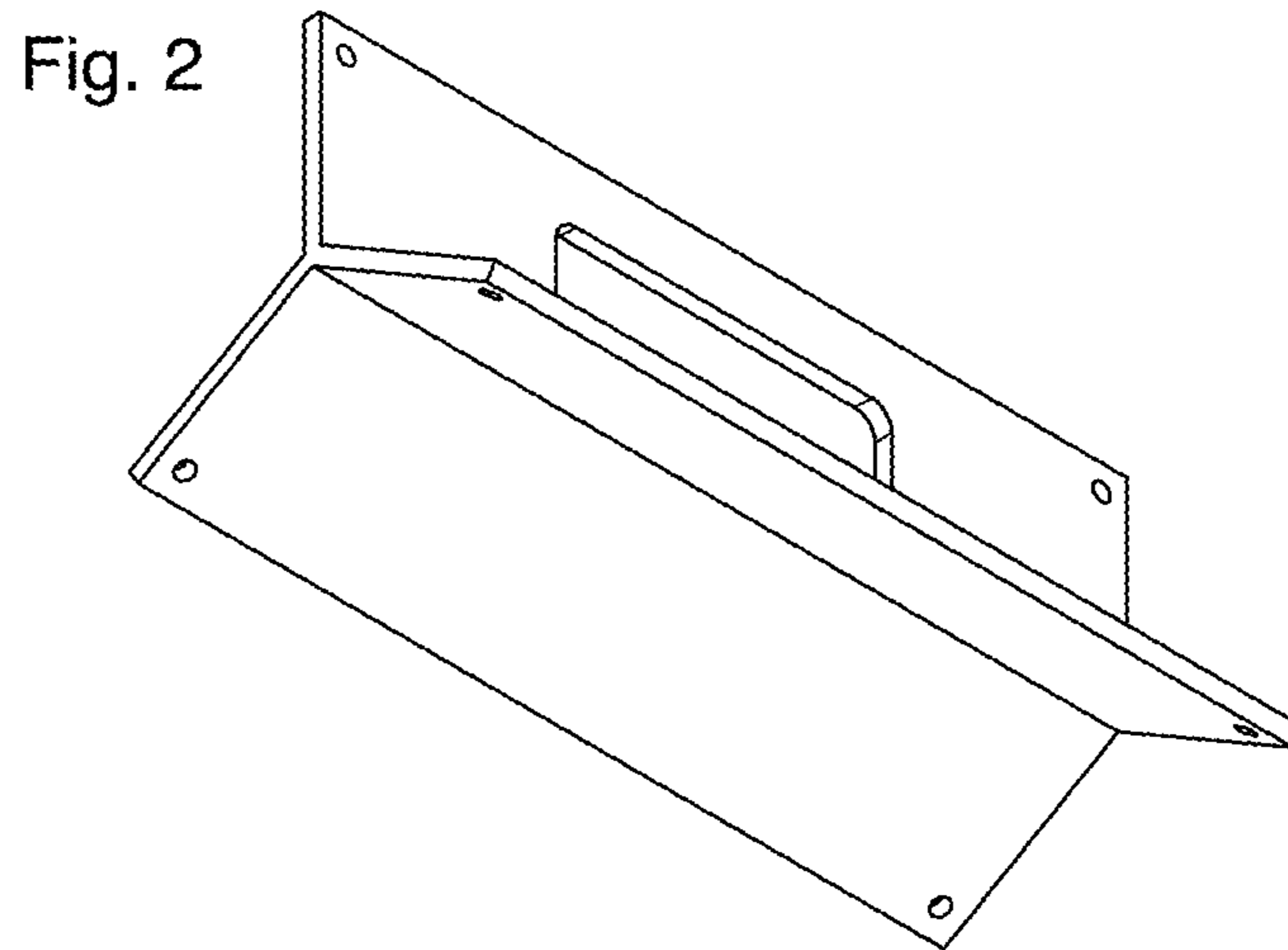
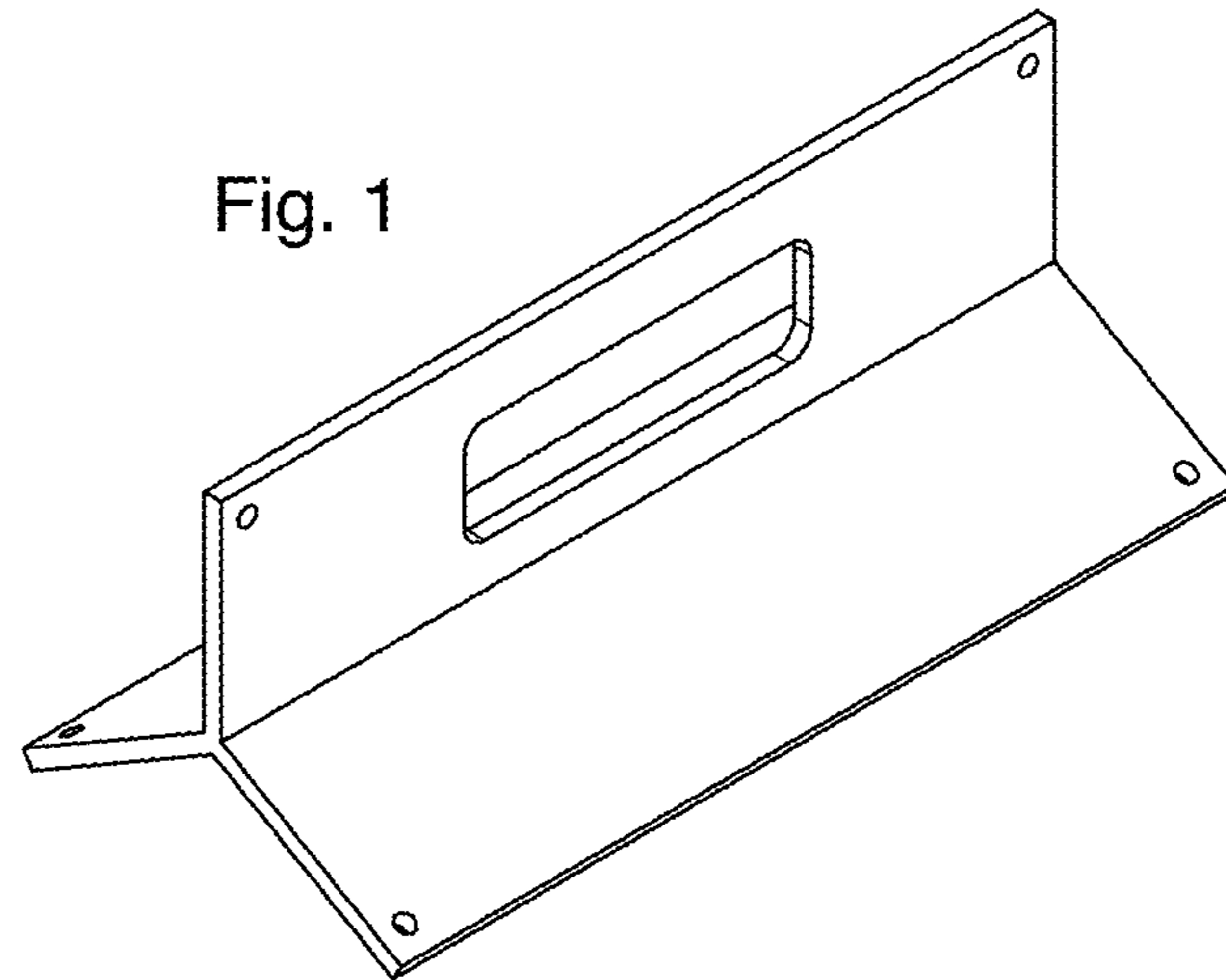


Fig. 3

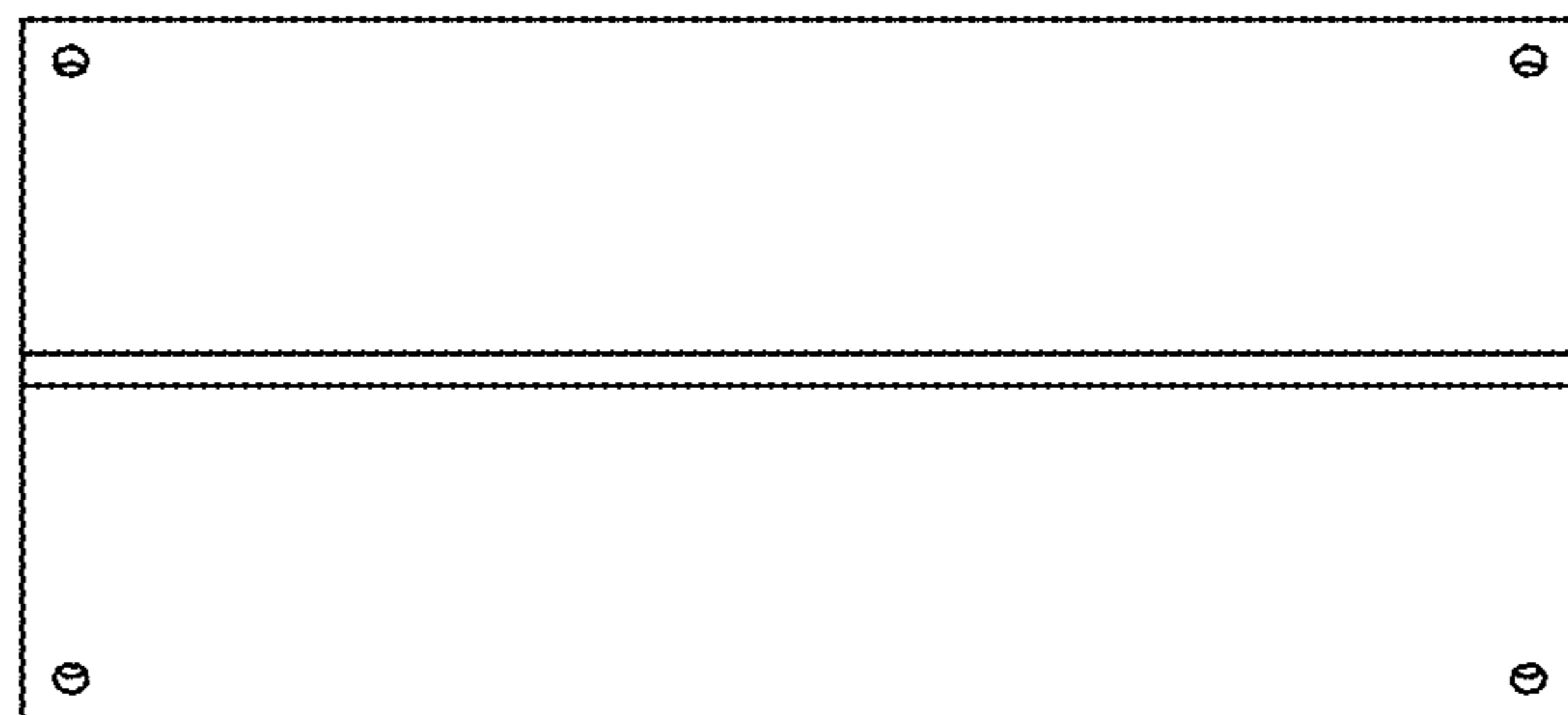


Fig. 4

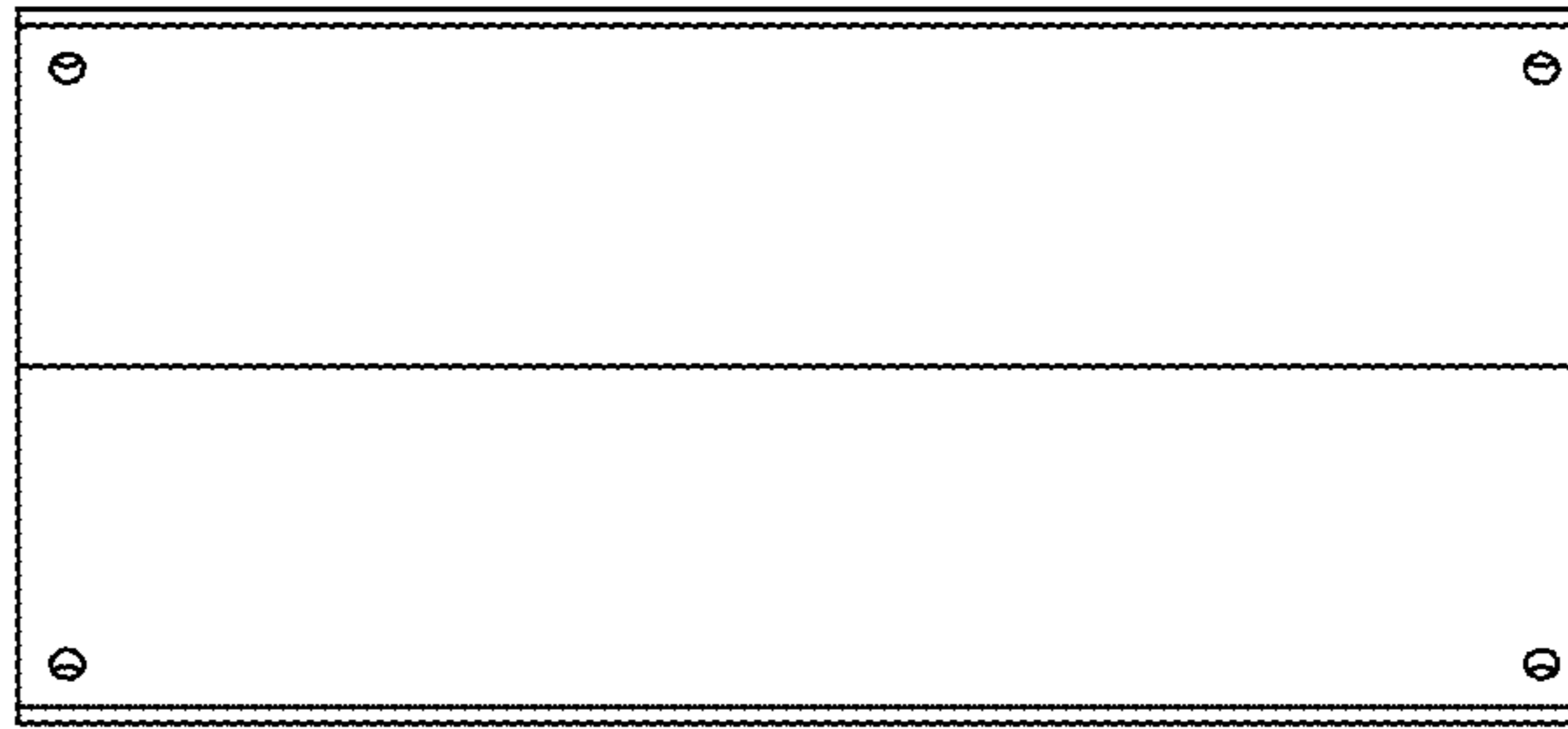


Fig. 5

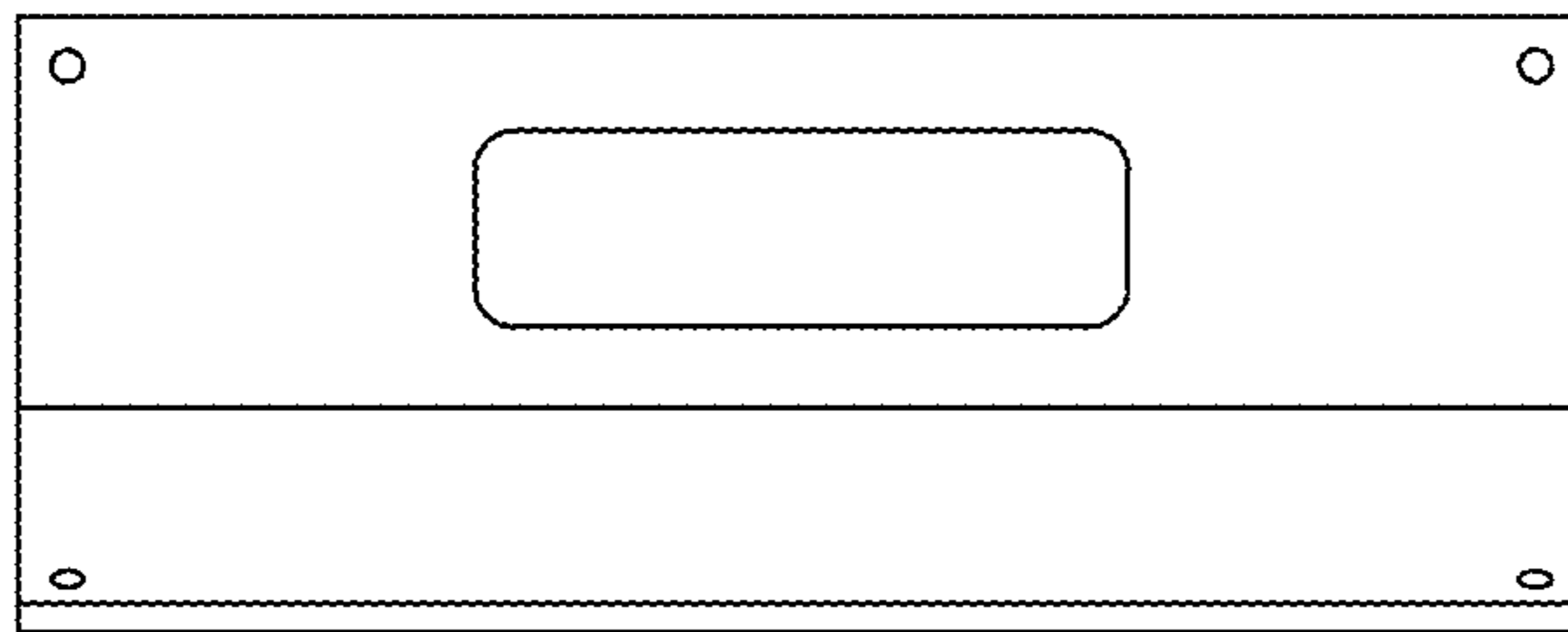


Fig. 6

