



US00D886558S

(12) **United States Design Patent**
Koenigsberger et al.

(10) **Patent No.:** **US D886,558 S**

(45) **Date of Patent:** **** Jun. 9, 2020**

(54) **HEAT GUN**

(71) Applicant: **Wagner Spray Tech Corporation**,
Plymouth, MN (US)

(72) Inventors: **Johanna Koenigsberger**, Hamburg
(DE); **Paul Fally**, Hamburg (DE)

(73) Assignee: **Wagner Spray Tech Corporation**,
Plymouth, MN (US)

(**) Term: **15 Years**

(21) Appl. No.: **29/656,694**

(22) Filed: **Jul. 16, 2018**

(51) **LOC (12) Cl.** **08-05**

(52) **U.S. Cl.**
USPC **D8/29.1**

(58) **Field of Classification Search**
USPC D8/29.1, 29.2, 30, 69, 107; D28/133;
D15/144

CPC . F24H 3/00; F24H 3/02; F24H 3/0423; F24H
3/002; F24H 9/001; F16M 13/00

See application file for complete search history.

(56) **References Cited**

U.S. PATENT DOCUMENTS

D436,507 S * 1/2001 Cheng D8/29.1
D456,681 S * 5/2002 Cheng D8/29.1
D457,043 S * 5/2002 Cheng D8/29.1

D458,524 S * 6/2002 Cheng D8/29.1
D458,818 S * 6/2002 Cheng D8/29.1
D475,590 S * 6/2003 Huang D8/29.1
D481,277 S * 10/2003 Waldron D8/29.1
D599,180 S * 9/2009 Baxter D8/29.1
D599,182 S * 9/2009 Baxter D8/29.1
D648,606 S * 11/2011 Sallander D8/29.1
8,948,577 B2 * 2/2015 Eberli F24H 3/0423
392/379
D793,827 S * 8/2017 Huang D8/29.1

* cited by examiner

Primary Examiner — Philip S Hyder

(74) *Attorney, Agent, or Firm* — Christopher J.
Volkman; Kelly, Holt & Christenson, PLLC

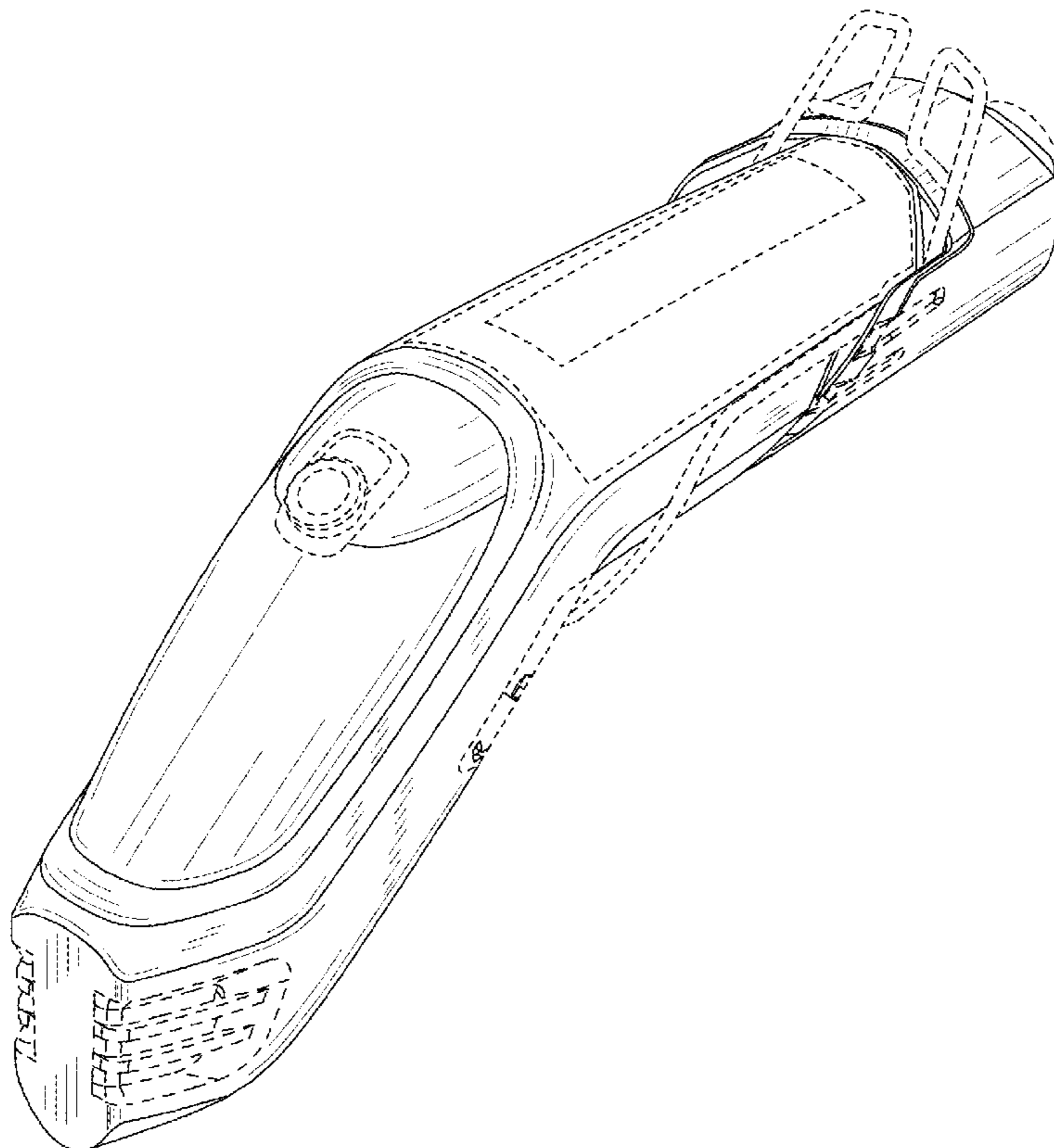
(57) **CLAIM**

The ornamental design for a heat gun, as shown and described.

DESCRIPTION

FIG. 1 is a perspective view of the heat gun.
FIG. 2 is a right side view of the heat gun.
FIG. 3 is a left side view of the heat gun.
FIG. 4 is a top view of the heat gun.
FIG. 5 is a front view of the heat gun.
FIG. 6 is a back view of the heat gun; and,
FIG. 7 is a bottom view of the heat gun.
The broken lines depict portions of the heat gun in which the design is embodied that are not considered part of the claimed design.

1 Claim, 6 Drawing Sheets



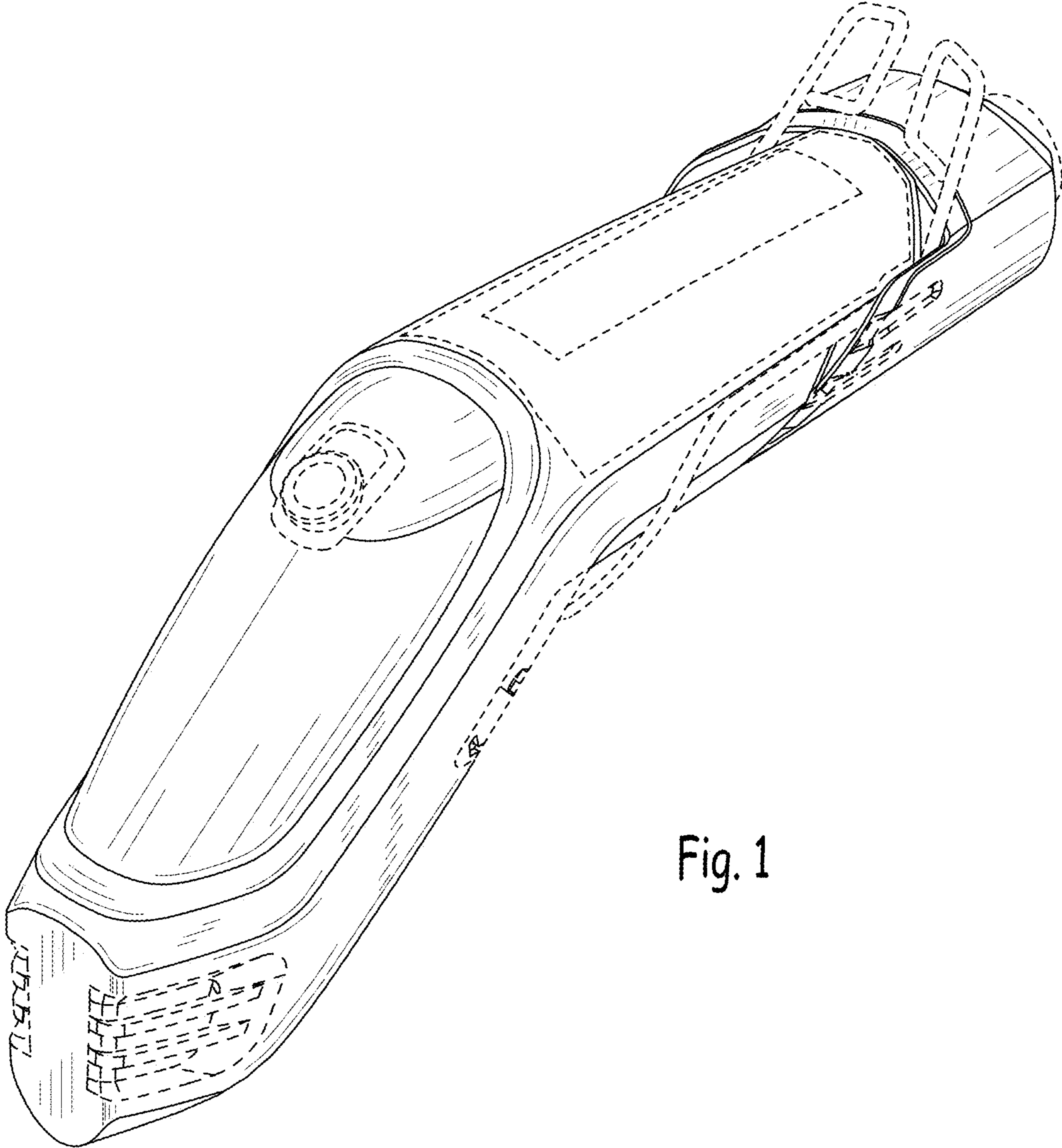


Fig. 1

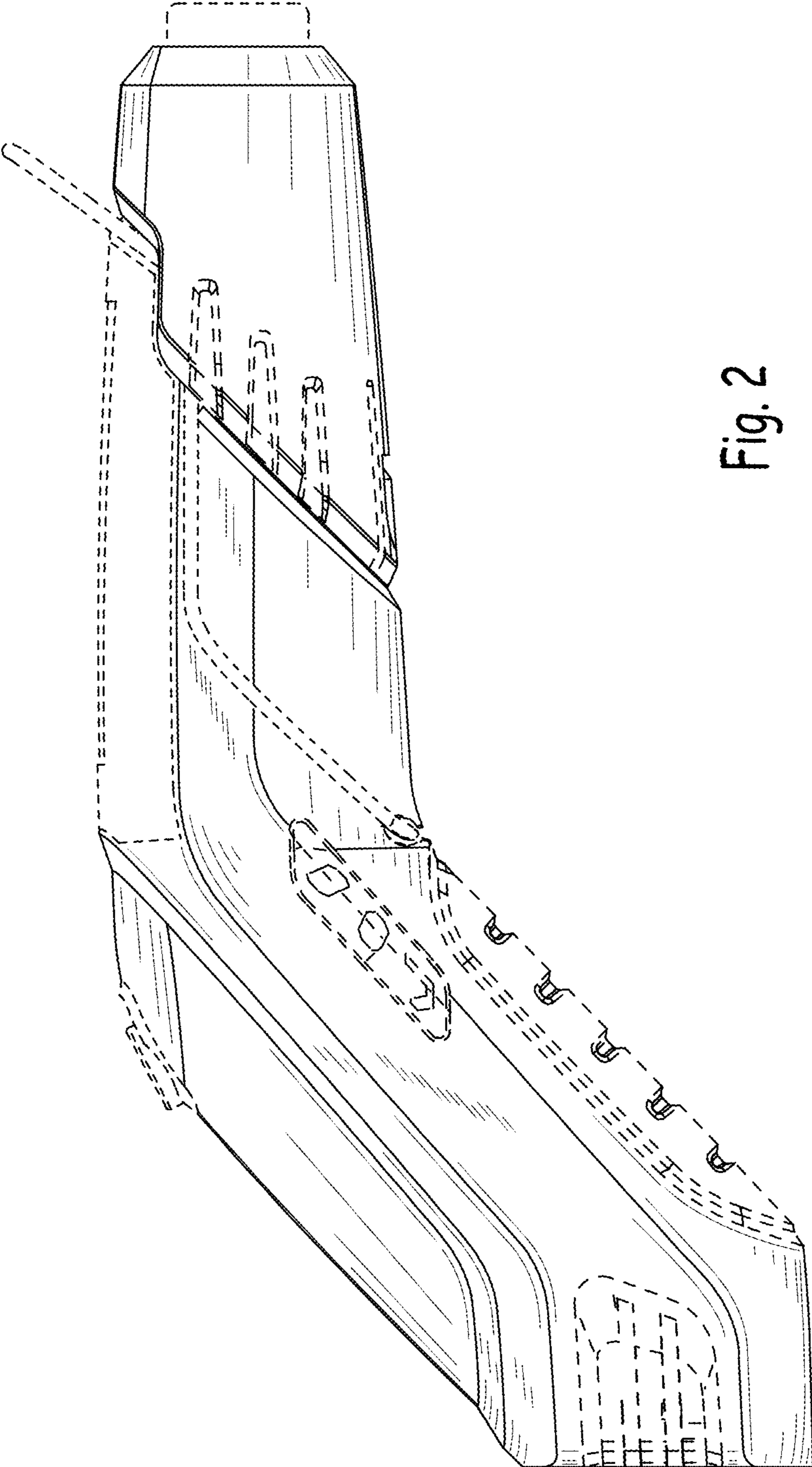


Fig. 2

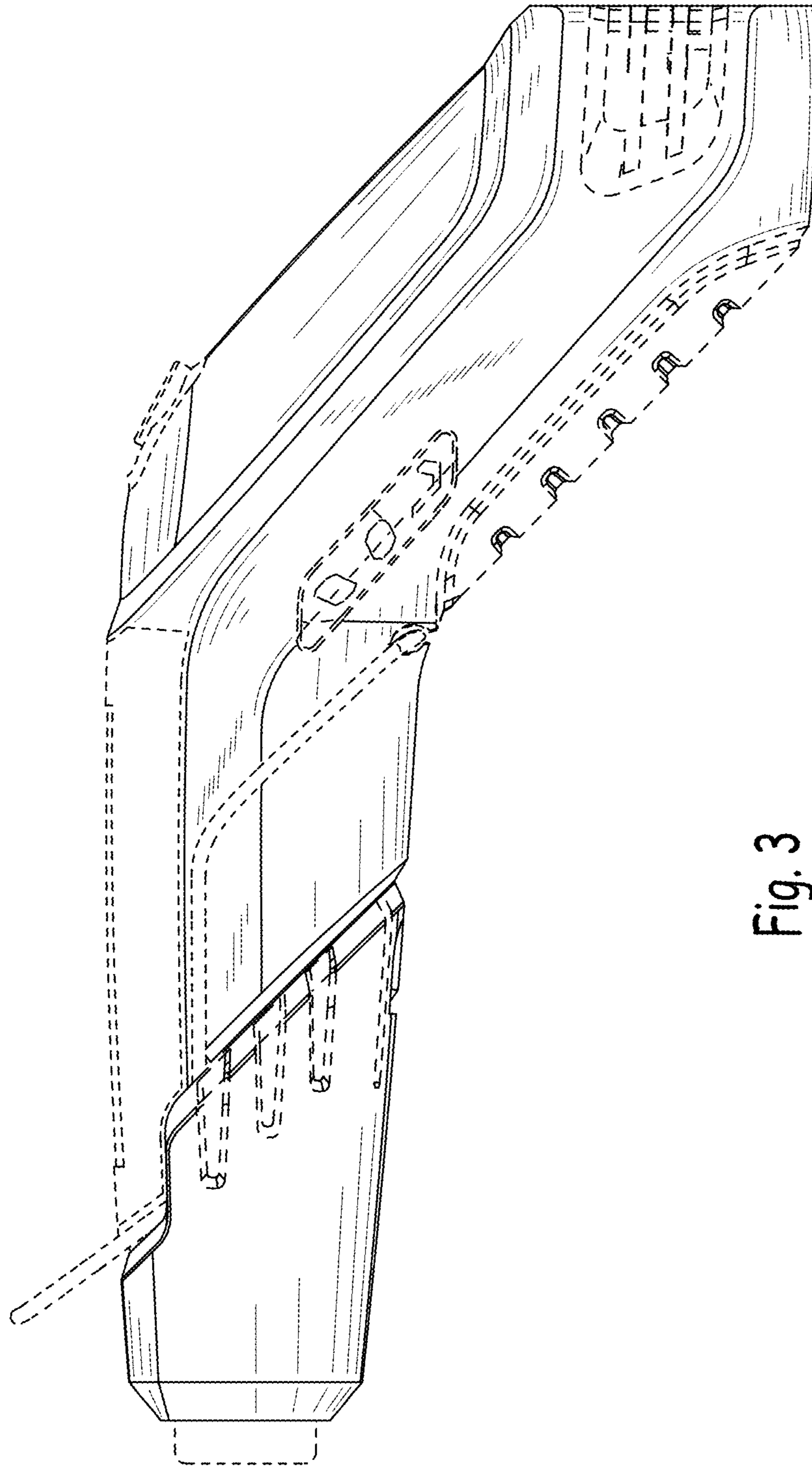


Fig. 3

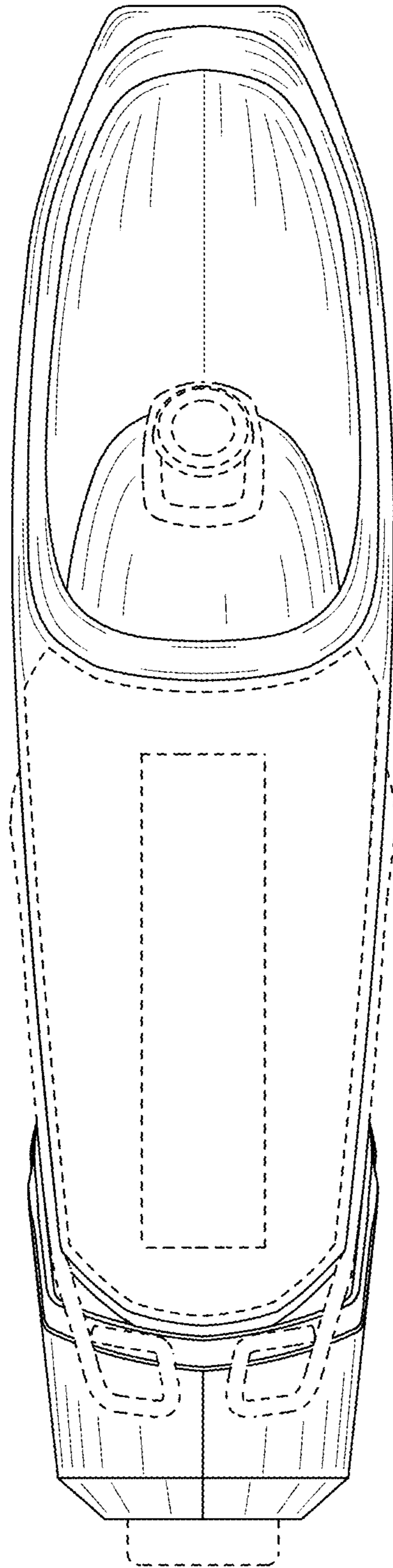


Fig. 4

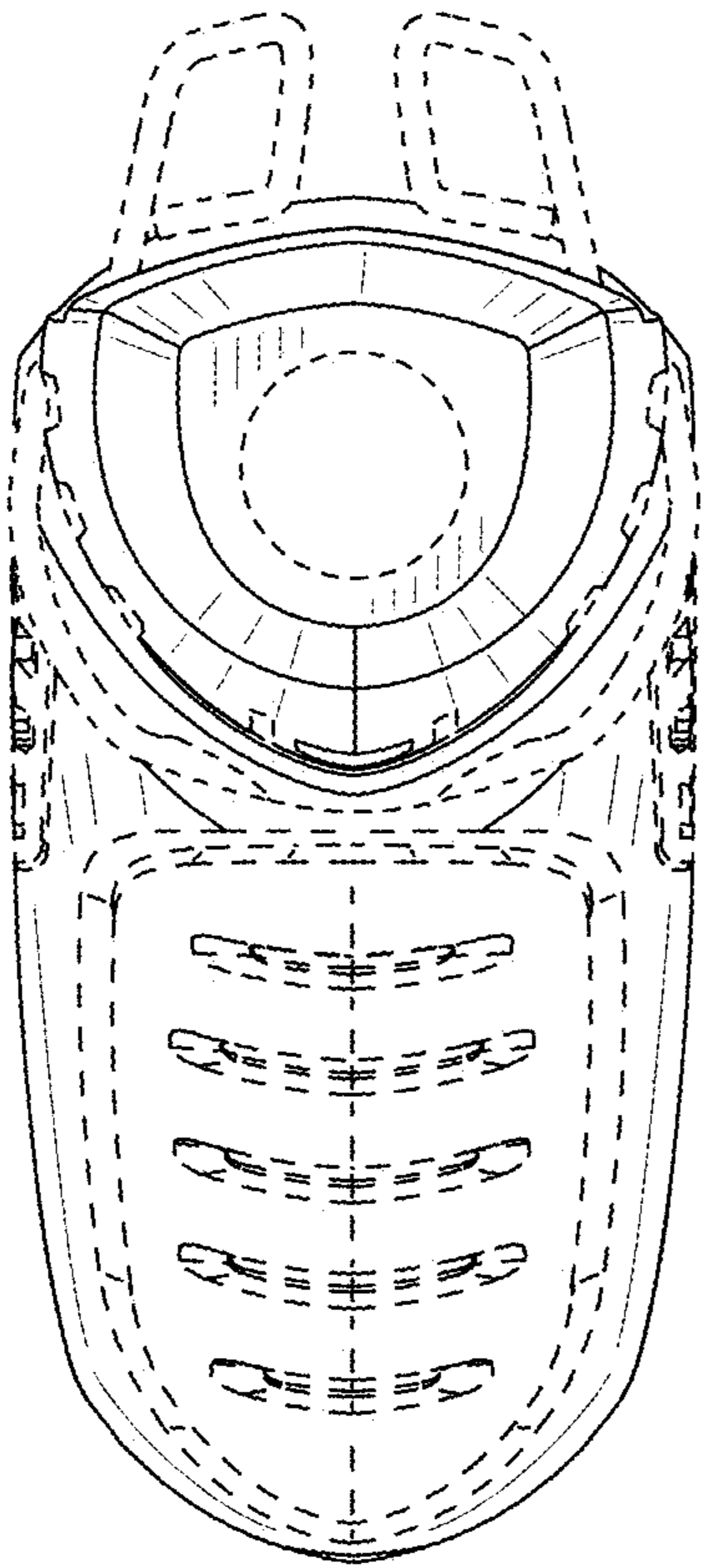


Fig. 5

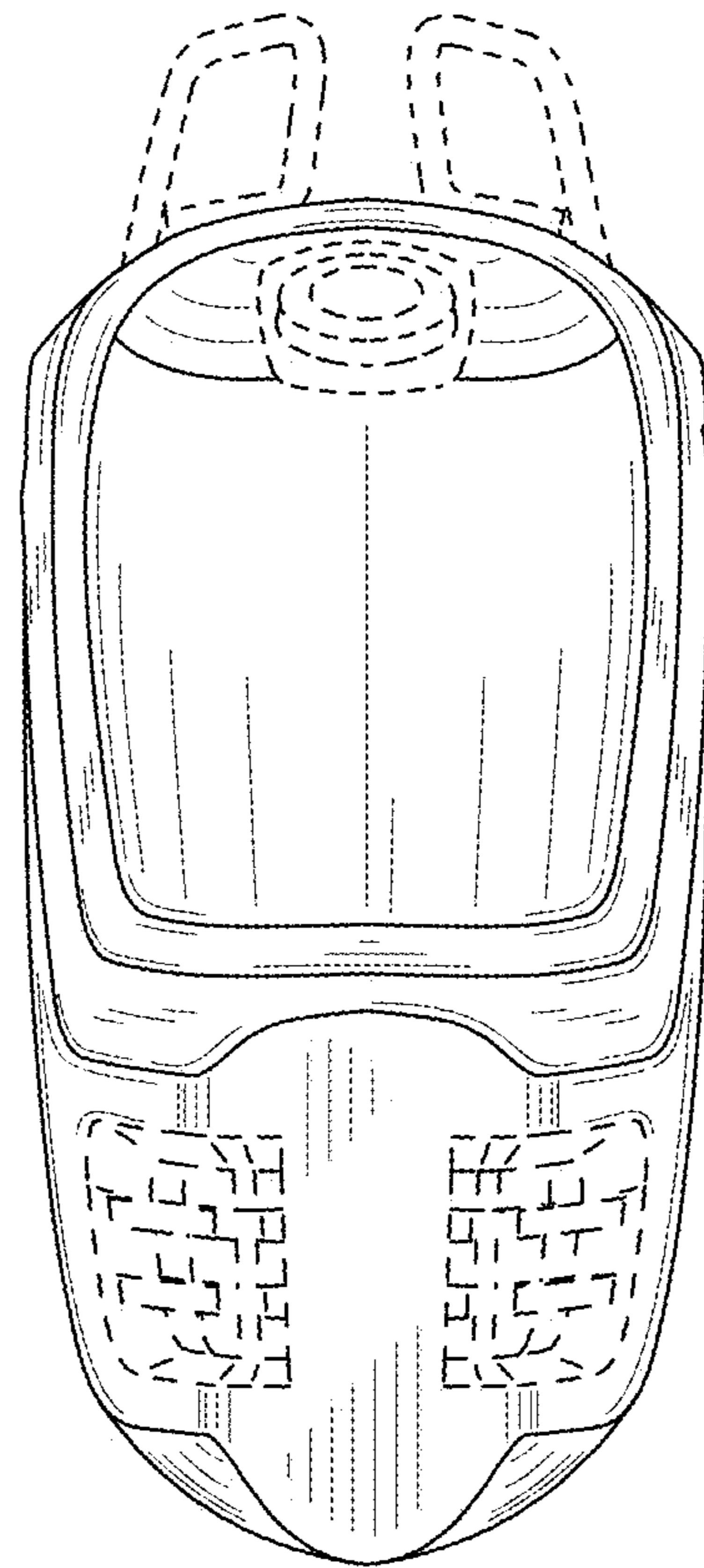


Fig. 6

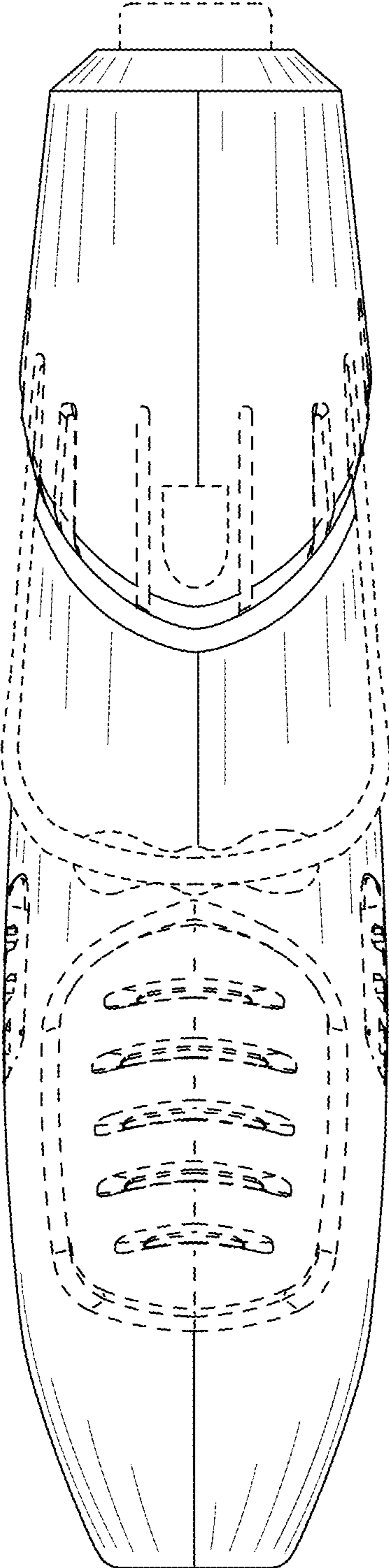


Fig. 7