



US00D886553S

(12) **United States Design Patent**
Miksovsky et al.

(10) **Patent No.:** **US D886,553 S**
(45) **Date of Patent:** **** Jun. 9, 2020**

- (54) **COMBINED CHOPSTICKS AND STAND**
- (71) Applicant: **humangear, Inc.**, San Francisco, CA (US)
- (72) Inventors: **Christopher A. Miksovsky**, San Francisco, CA (US); **Thomas W. Zipprian**, San Francisco, CA (US)
- (73) Assignee: **humangear, Inc.**, San Francisco, CA (US)
- (**) Term: **15 Years**
- (21) Appl. No.: **29/653,565**
- (22) Filed: **Jun. 15, 2018**
- (51) **LOC (12) Cl.** **07-06**
- (52) **U.S. Cl.**
USPC **D7/638**
- (58) **Field of Classification Search**
USPC D3/306; D6/566-574; D7/631, D7/637-641; D19/75, 81-86, 90, 92; 30/298.4; 211/60.1, 70.6, 70.7; 248/37.3, 37.6
CPC A47B 88/20; A47F 7/00; A47G 21/00; A47G 21/14; B26B 3/00
See application file for complete search history.

- 2009/0066097 A1* 3/2009 Lin A47G 21/103 294/218
- 2011/0114533 A1* 5/2011 Le A47G 21/14 206/553
- 2015/0157154 A1* 6/2015 Rothenberg A47G 21/14 248/37.3

OTHER PUBLICATIONS

Sistema to Go Collection 4-Piece Cutlery Set, https://www.amazon.com/Sistema-Collection-Cutlery-Received-4-Piece/dp/B004T2ZXQQ/ref=sr_1_22?s=home-garden&ie=UTF8&qid=1538437035&sr=1-22&keywords=fork+spoon+chopstick+set, downloaded from the internet on Oct. 22, 2018.

* cited by examiner

Primary Examiner — Janice Patyk
(74) *Attorney, Agent, or Firm* — Beyer Law Group LLP

(57) **CLAIM**

We claim the ornamental design for a combined chopsticks and stand, substantially as shown and described.

DESCRIPTION

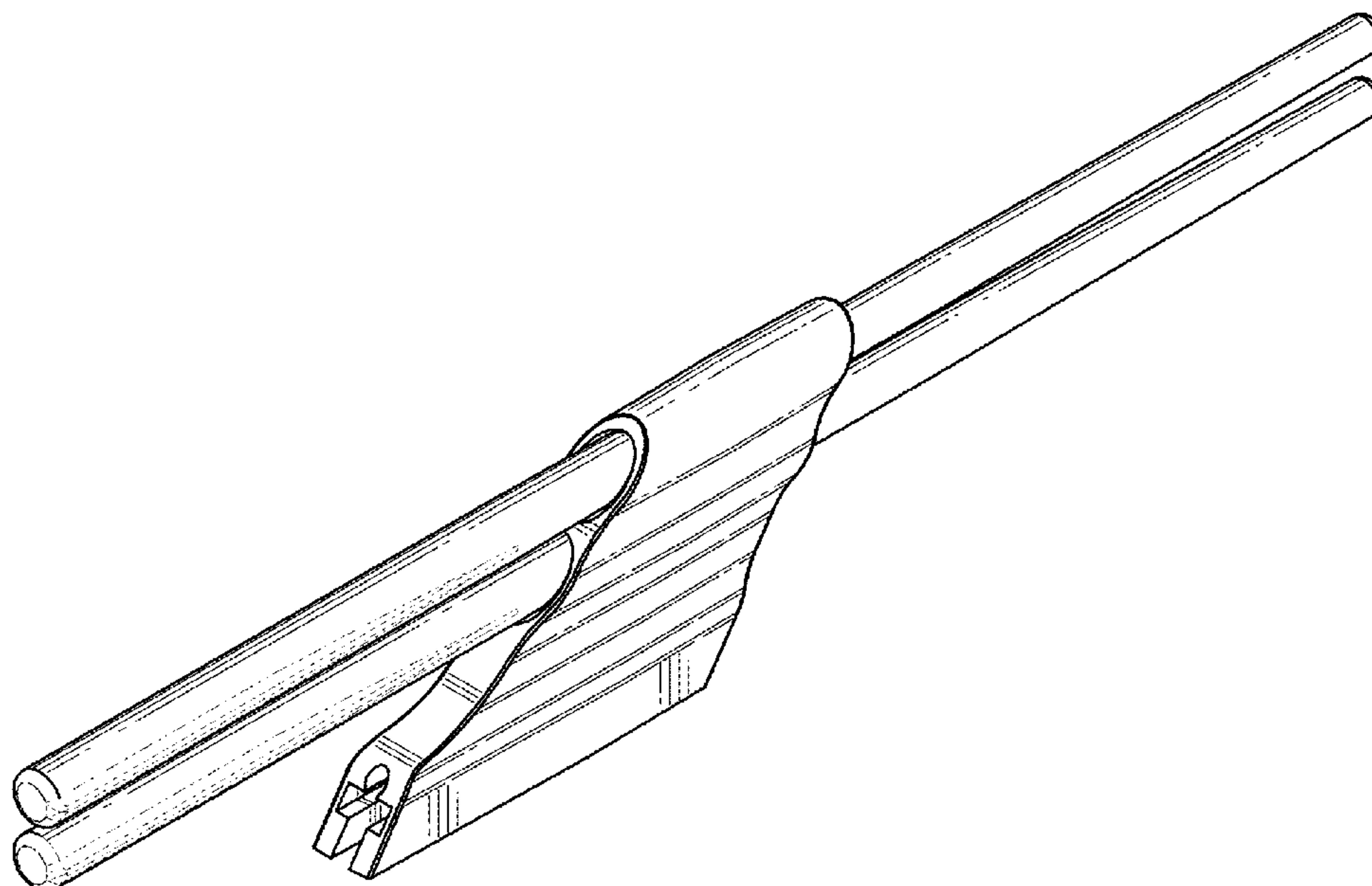
FIG. 1 is a perspective view of a combined chopsticks and stand, in accordance with the present design.
FIG. 2 is a front view of thereof.
FIG. 3 is a back view of thereof.
FIG. 4 is a top view thereof.
FIG. 5 is a bottom view thereof.
FIG. 6 is a left side view thereof.
FIG. 7 is a right side view thereof; and,
FIG. 8 is an exploded perspective view thereof.
The broken lines in the figures illustrate the portions of the design that form no part of the claimed design.
The dot-dot-dash broken lines immediately adjacent to the claimed areas in the views represent the boundaries of the design and form no part thereof.
None of the broken lines form any part of the claimed design.

1 Claim, 7 Drawing Sheets

(56) **References Cited**

U.S. PATENT DOCUMENTS

- D525,833 S * 8/2006 Segal D7/637
- D575,592 S * 8/2008 Lion D7/601
- D730,049 S 5/2015 Miksovsky et al.
- D788,547 S * 6/2017 Hepburn D7/637
- D840,771 S * 2/2019 Zemel D7/669
- D863,898 S * 10/2019 Zemel D7/669



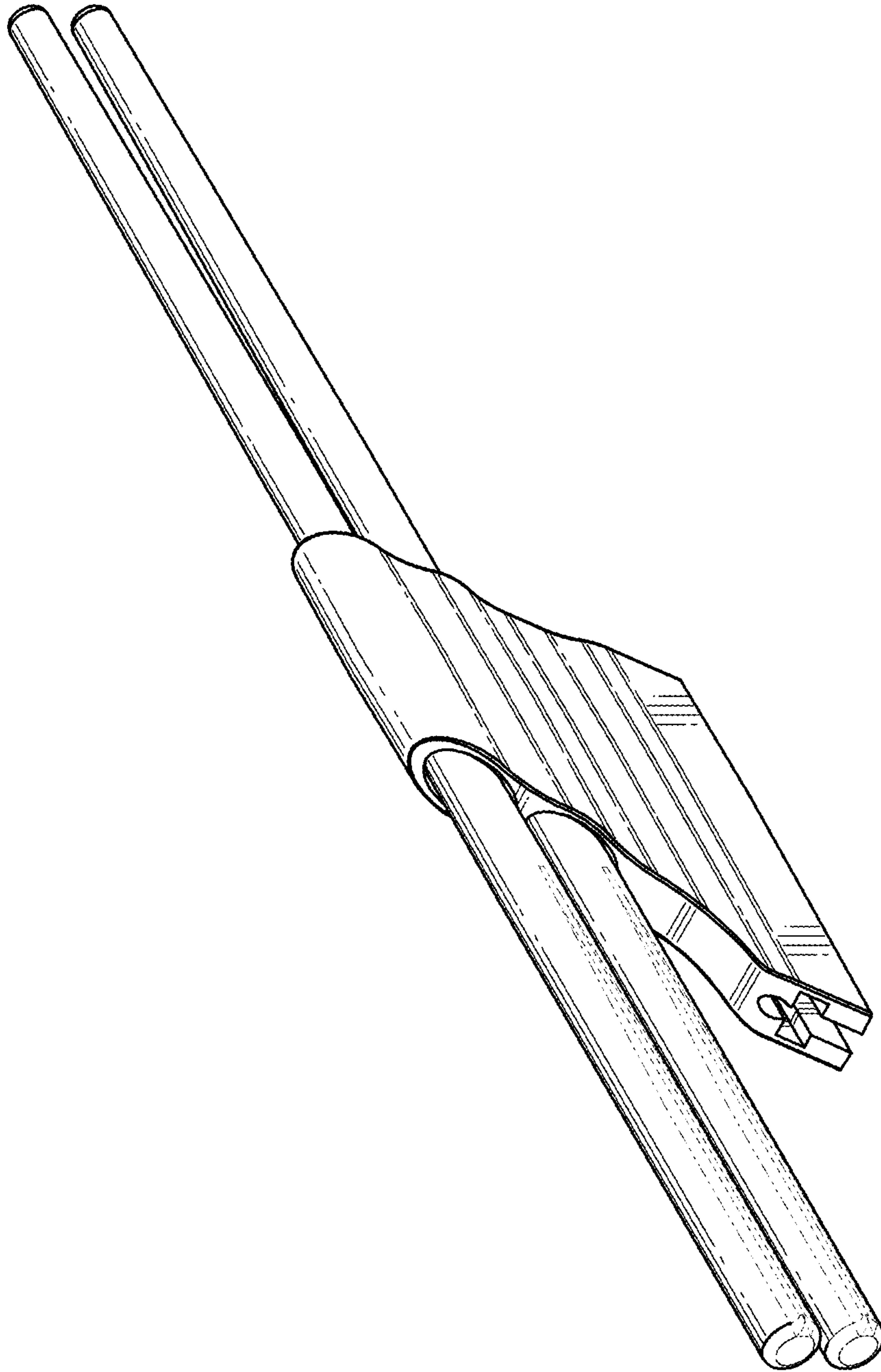


FIG. 1

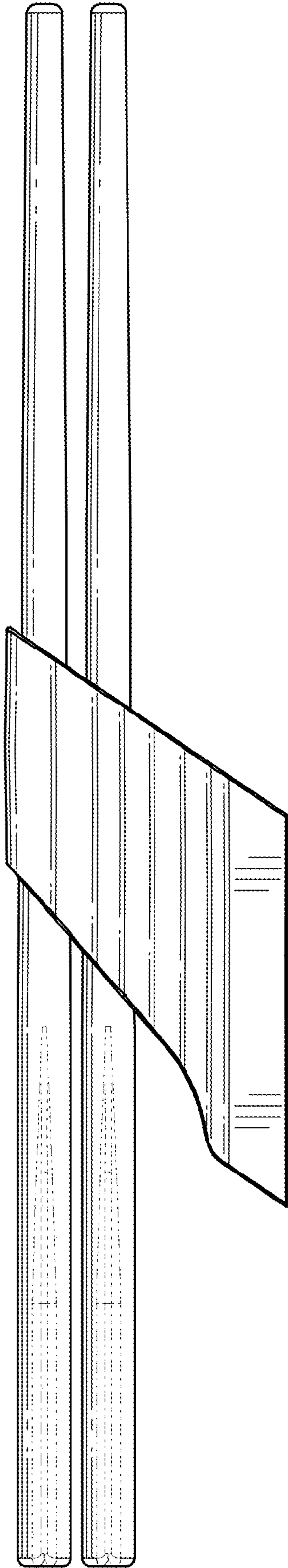


FIG. 2

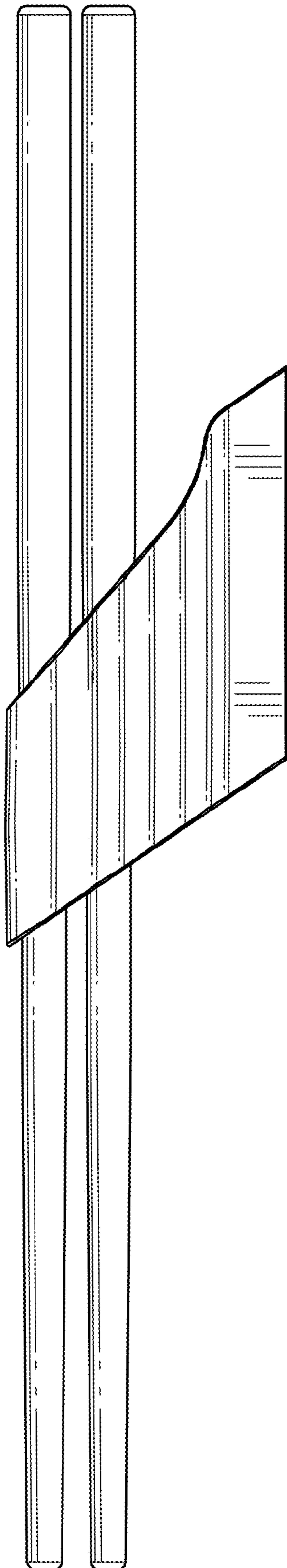


FIG. 3



FIG. 4



FIG. 5

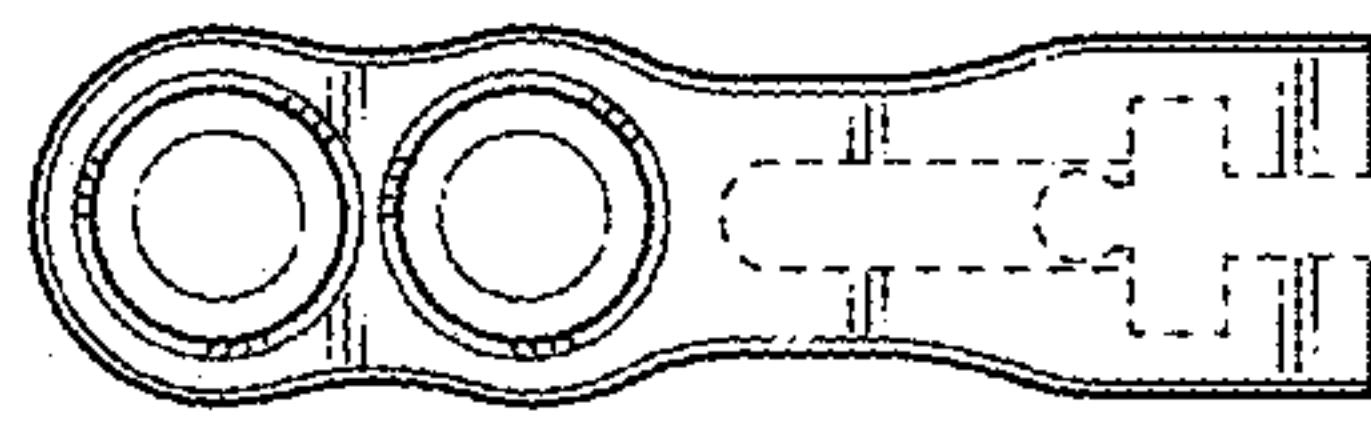


FIG. 7

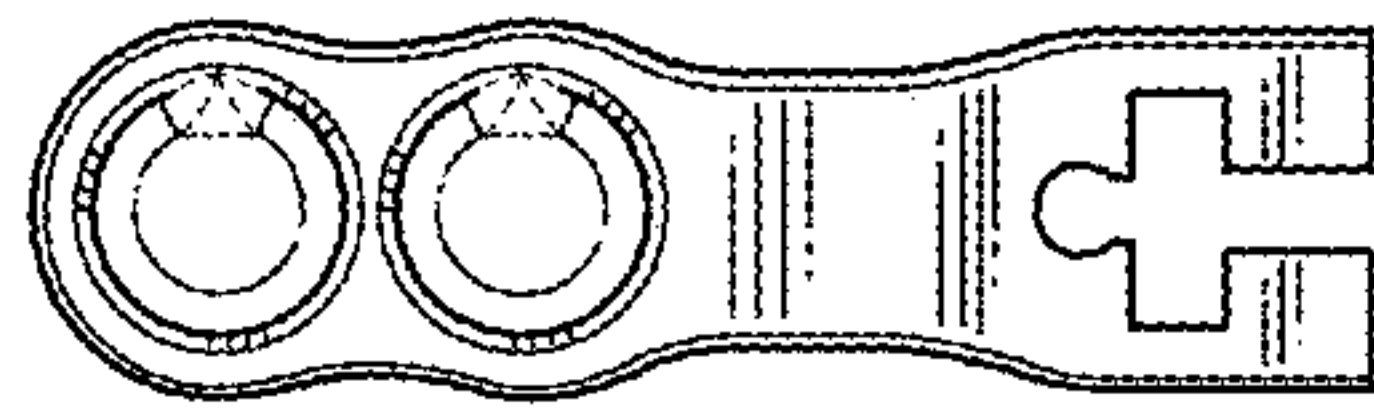


FIG. 6

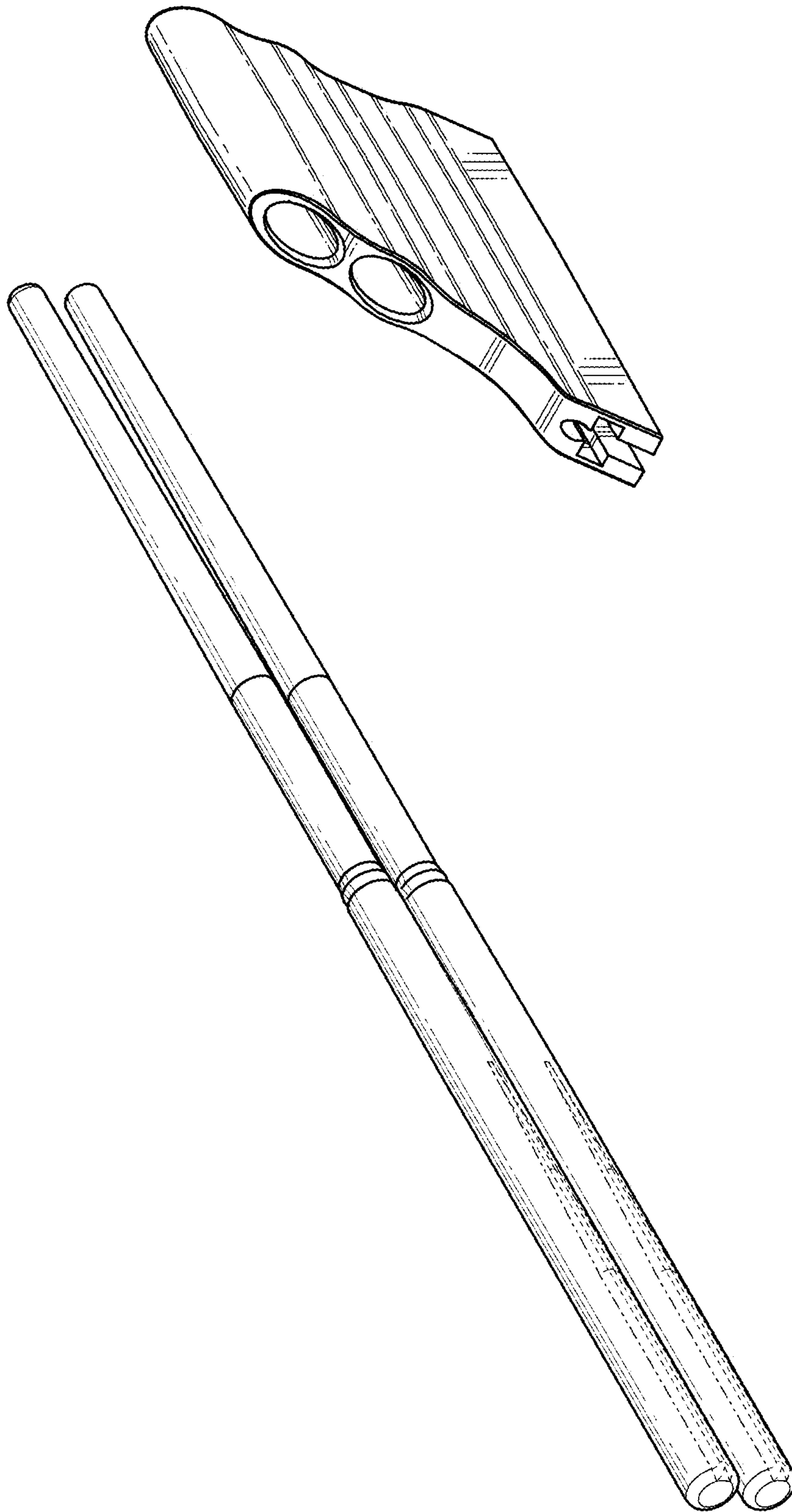


FIG. 8