



US00D886551S

(12) **United States Design Patent** (10) **Patent No.:** **US D886,551 S**
Clark et al. (45) **Date of Patent:** **** Jun. 9, 2020**

(54) **UTENSIL HOLDER**
(71) Applicants: **Cole K. Clark**, Woodway, TX (US);
Travis J. Clark, Woodway, TX (US)
(72) Inventors: **Cole K. Clark**, Woodway, TX (US);
Travis J. Clark, Woodway, TX (US)
(**) Term: **15 Years**

D723,875 S * 3/2015 Elattrache D7/637
D758,807 S * 6/2016 Hepburn D7/637
D759,435 S * 6/2016 Schubert D7/637
D764,874 S * 8/2016 Tarantino D7/601
2011/0114533 A1* 5/2011 Le A47G 21/14
206/553
2012/0298807 A1 11/2012 Rayko
2013/0037660 A1* 2/2013 Tarantino A47G 21/14
248/37.3
2015/0157154 A1 6/2015 Rothenberg

(21) Appl. No.: **29/675,859**
(22) Filed: **Jan. 5, 2019**
(51) **LOC (12) Cl.** **07-07**
(52) **U.S. Cl.**
USPC **D7/637**
(58) **Field of Classification Search**
USPC D3/306; D6/566-574; D7/631,
D7/637-641; 211/41.4, 70.7, 85.31,
211/90.03, 106, 126.8, 126.9, 133.2,
211/133.5; 220/485-488, 491; 248/37.3,
248/37.6, 153, 175
CPC . A47B 88/00; A47B 88/20; A47F 7/00; A47F
7/14; A47G 21/00; A47G 21/16; B65D
1/34; B65D 1/36; B65D 21/046; B65D
21/048; G09F 1/14
See application file for complete search history.

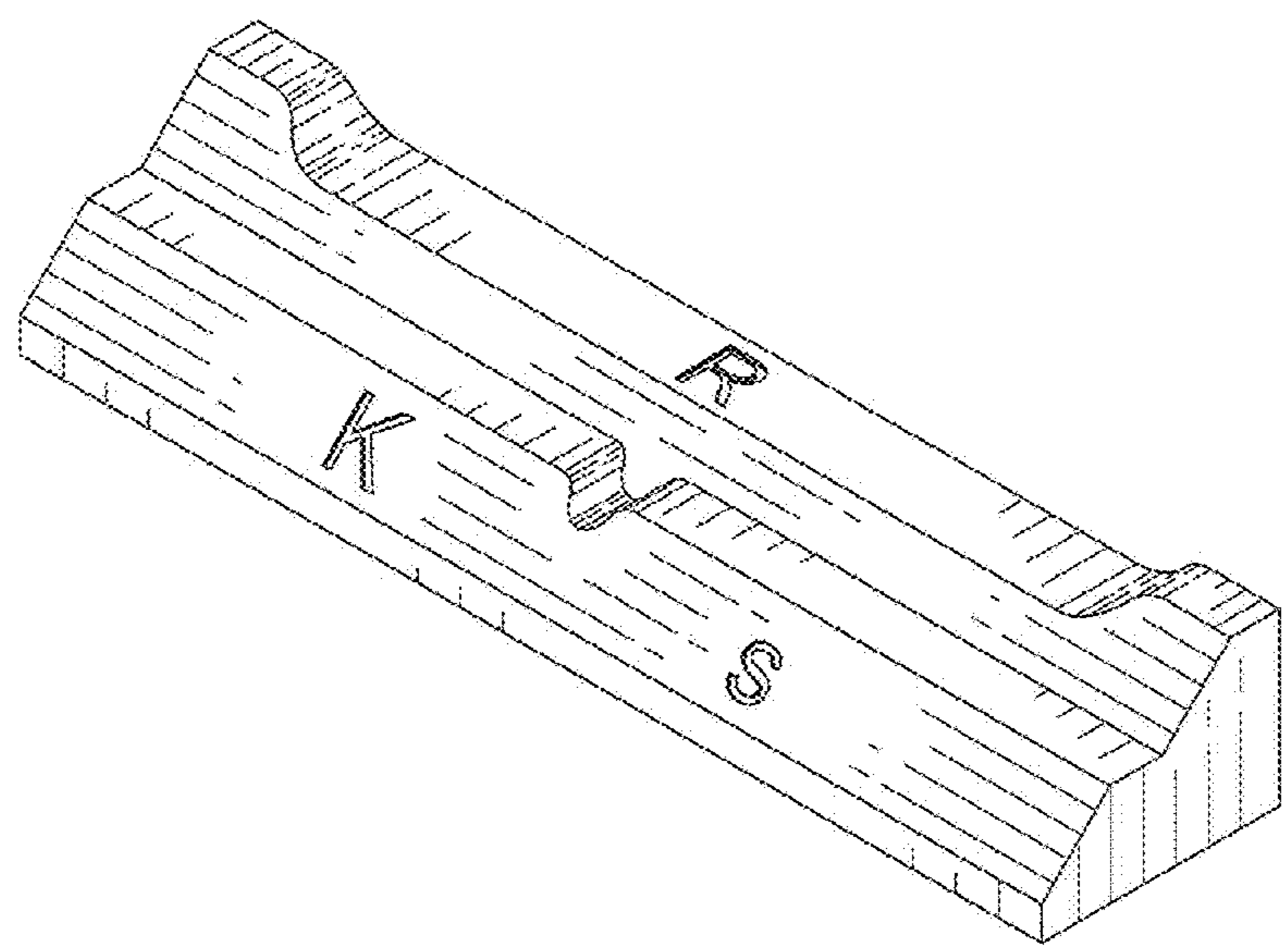
* cited by examiner
Primary Examiner — Janice Patyk
(74) *Attorney, Agent, or Firm* — John A. Powell; Naman,
Howell, Smith & Lee, PLLC

(57) **CLAIM**
The ornamental design for a utensil holder, as shown and
described.

DESCRIPTION
FIG. 1 is a top perspective view of embodiment one, of a
utensil holder, showing our new design.
FIG. 2 is a bottom perspective view thereof.
FIG. 3 is a top view thereof.
FIG. 4 is a bottom view thereof.
FIG. 5 is a front view thereof.
FIG. 6 is a right side view thereof.
FIG. 7 is a left side view thereof.
FIG. 8 is a back view thereof.
FIG. 9 is a top perspective view of embodiment two, of a
utensil holder, showing our new design.
FIG. 10 is a bottom perspective view thereof.
FIG. 11 is a top view thereof.
FIG. 12 is a bottom view thereof.
FIG. 13 is a front view thereof.
FIG. 14 is a right side view thereof.
FIG. 15 is a left side view thereof; and,
FIG. 16 is a back view thereof.

(56) **References Cited**
U.S. PATENT DOCUMENTS
D26,319 S 11/1896 Wood
2,651,927 A 9/1952 Mullins
D244,340 S 5/1977 Ashton
D292,861 S 11/1987 Dorper
4,834,328 A 5/1989 Hall
5,411,141 A 5/1995 Bounds
D367,405 S * 2/1996 Bridger D7/641
7,266,865 B1 9/2007 Rodin
D664,403 S * 7/2012 Paulson A47G 21/16
D7/632
D705,018 S * 5/2014 Liotta D7/601
D710,656 S * 8/2014 Stewart D7/637

1 Claim, 6 Drawing Sheets



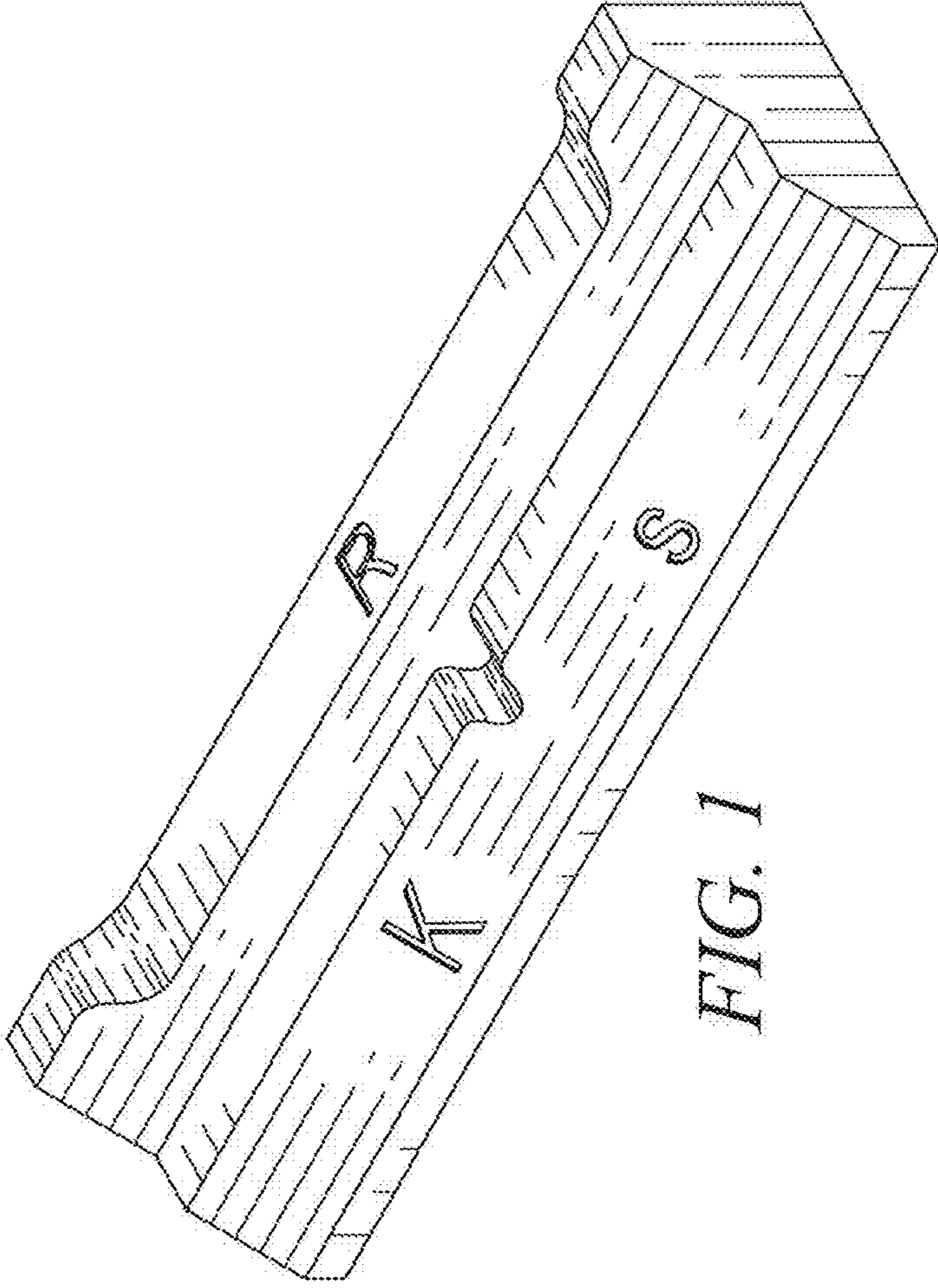


FIG. 1

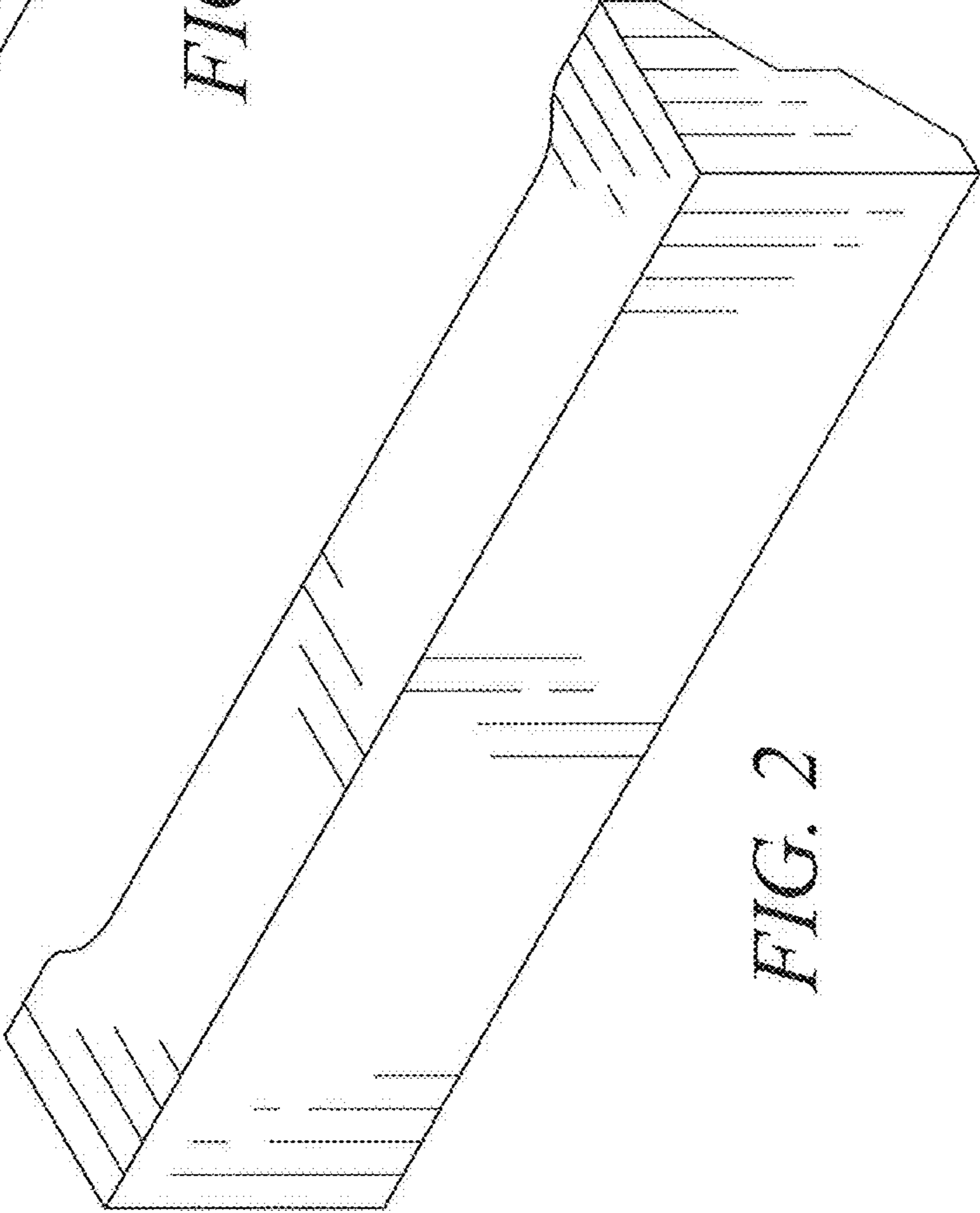


FIG. 2

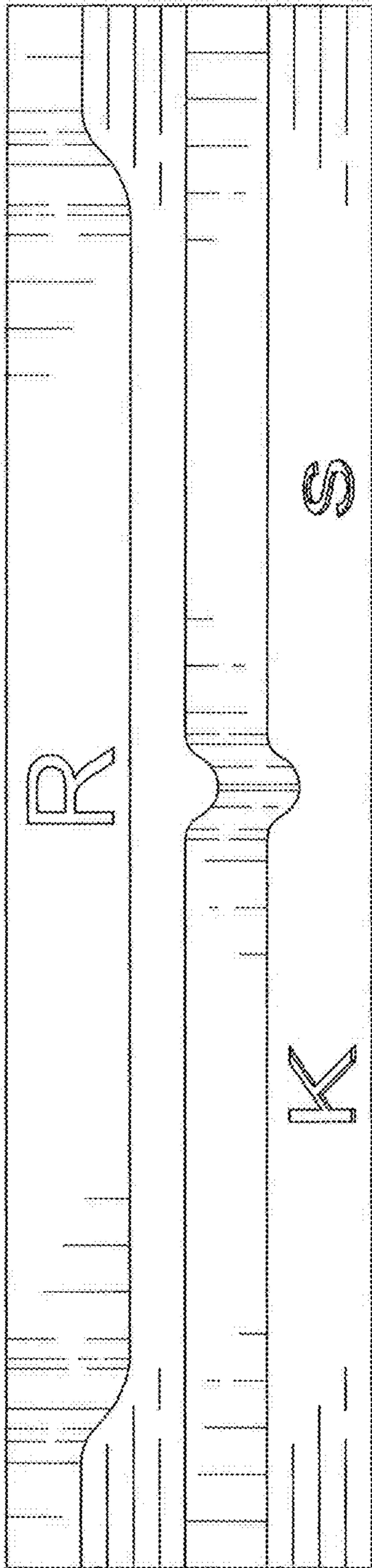


FIG. 3

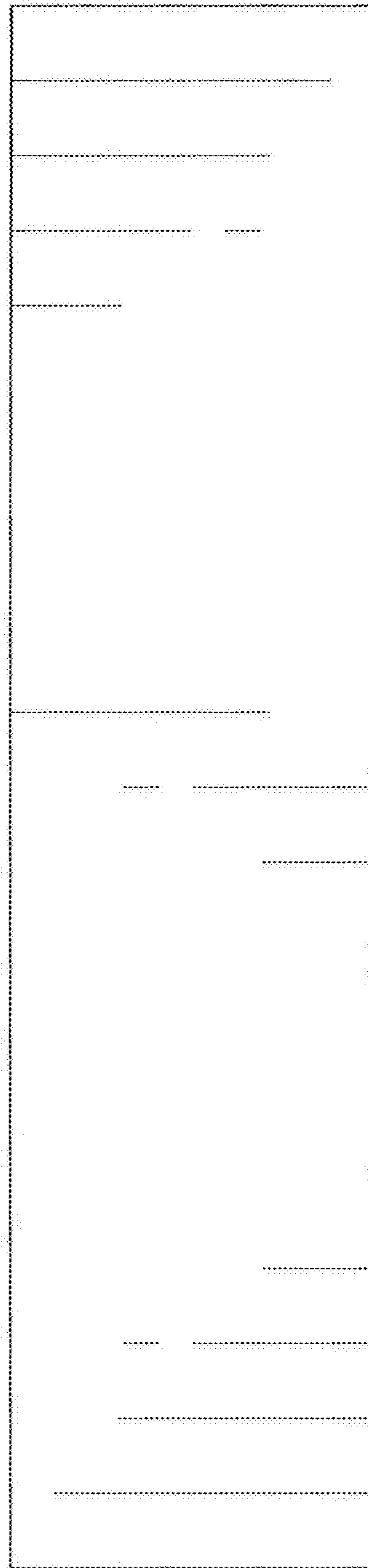


FIG. 4

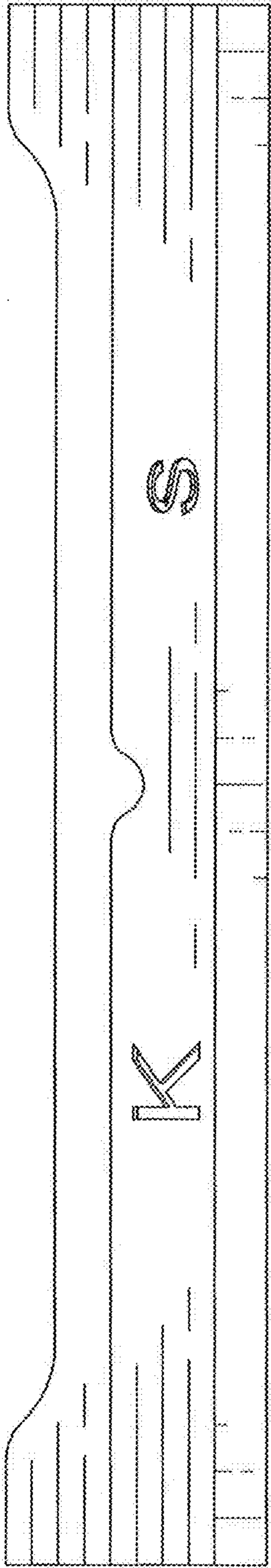


FIG. 5



FIG. 6

FIG. 7

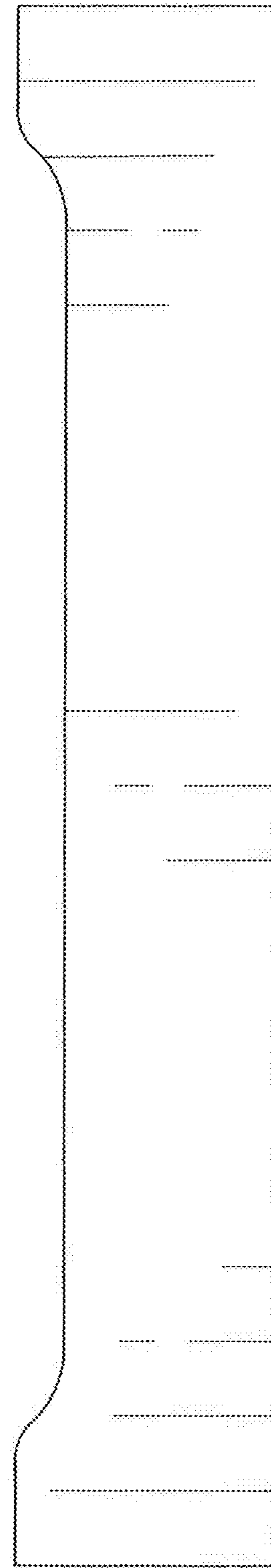


FIG. 8

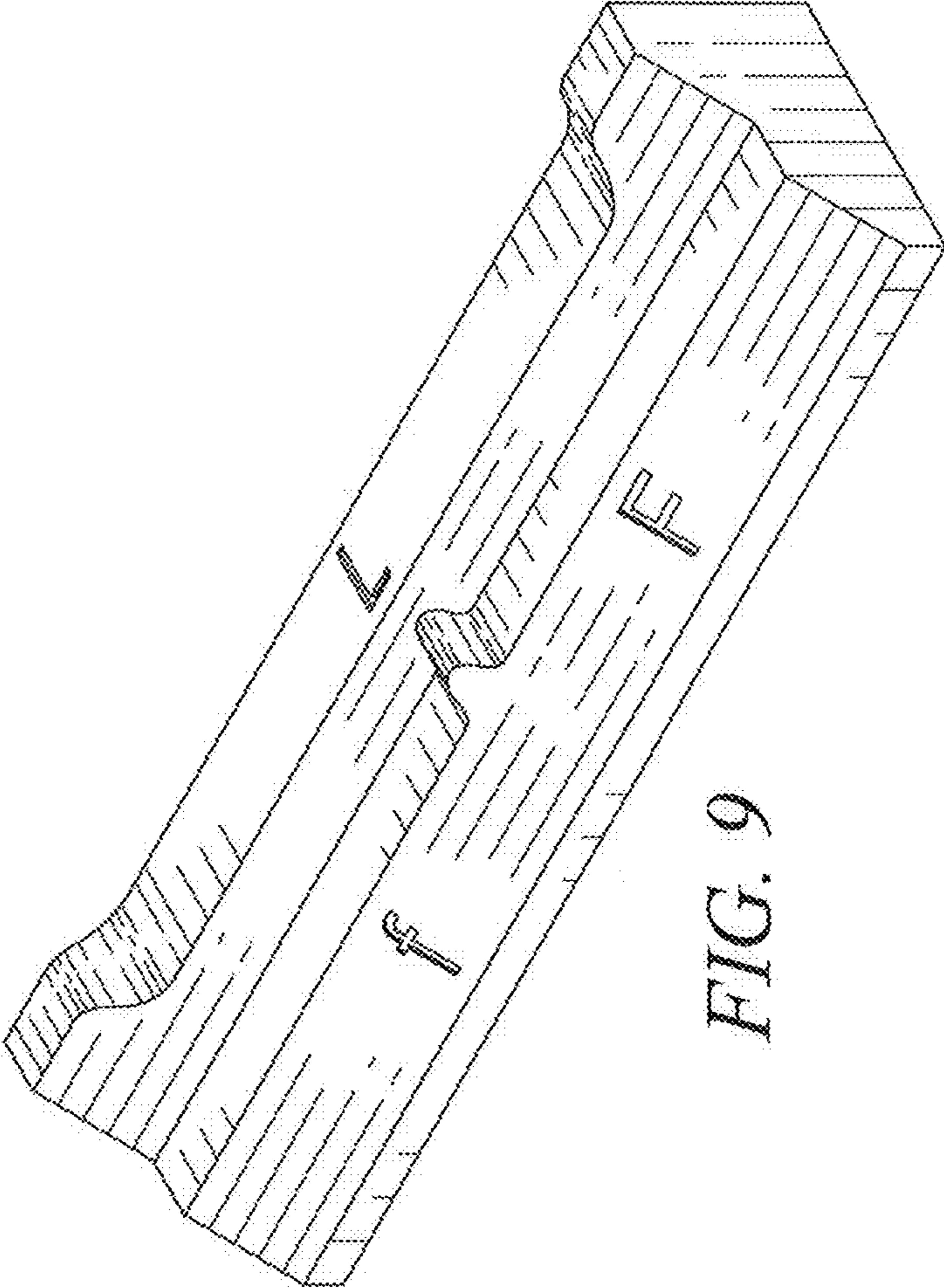


FIG. 9

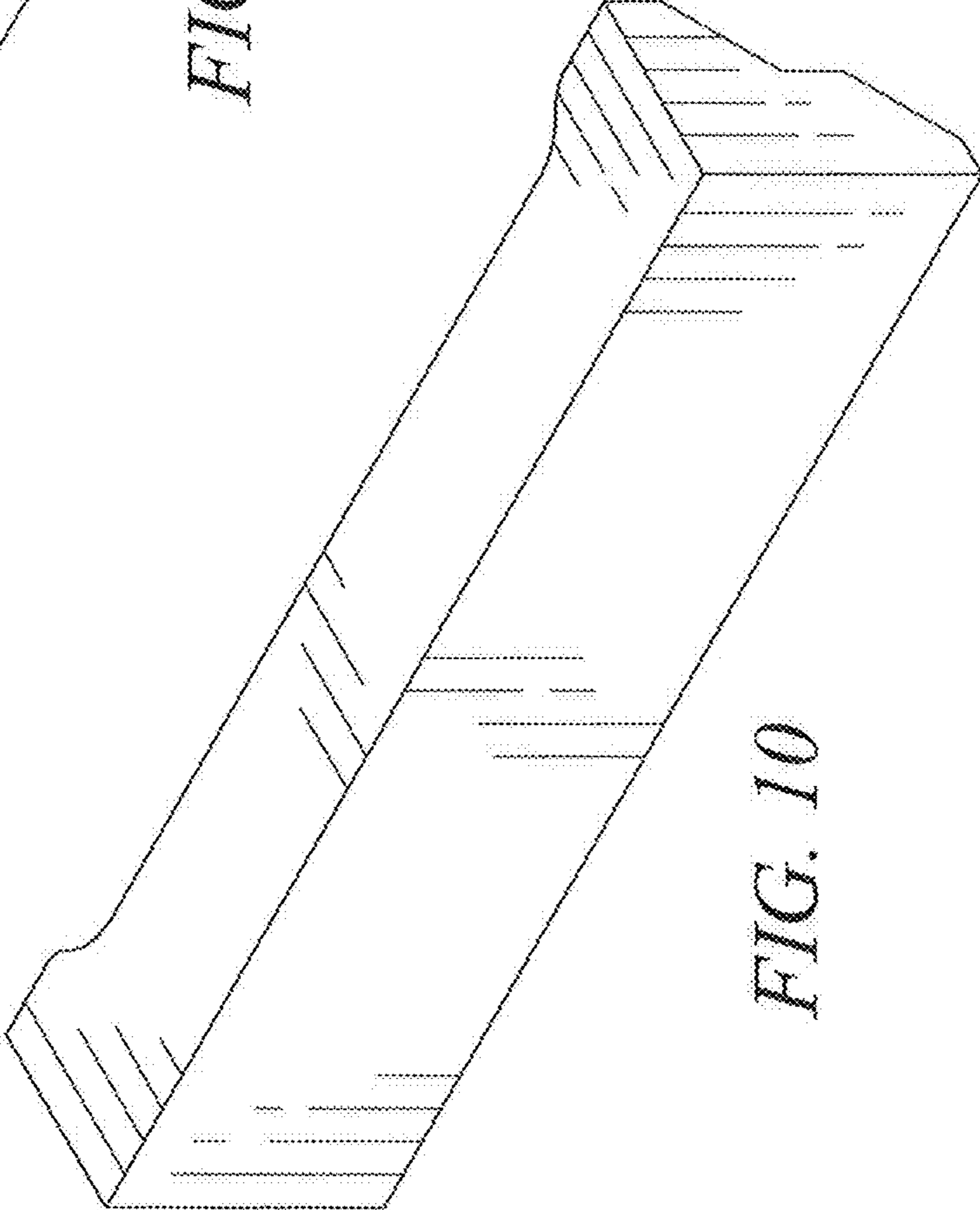


FIG. 10

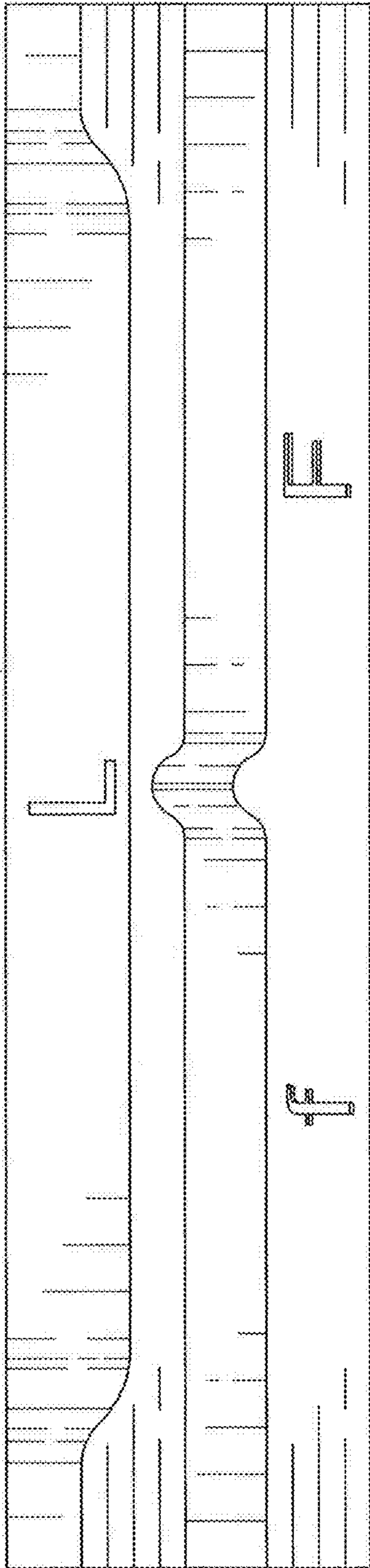


FIG. 11

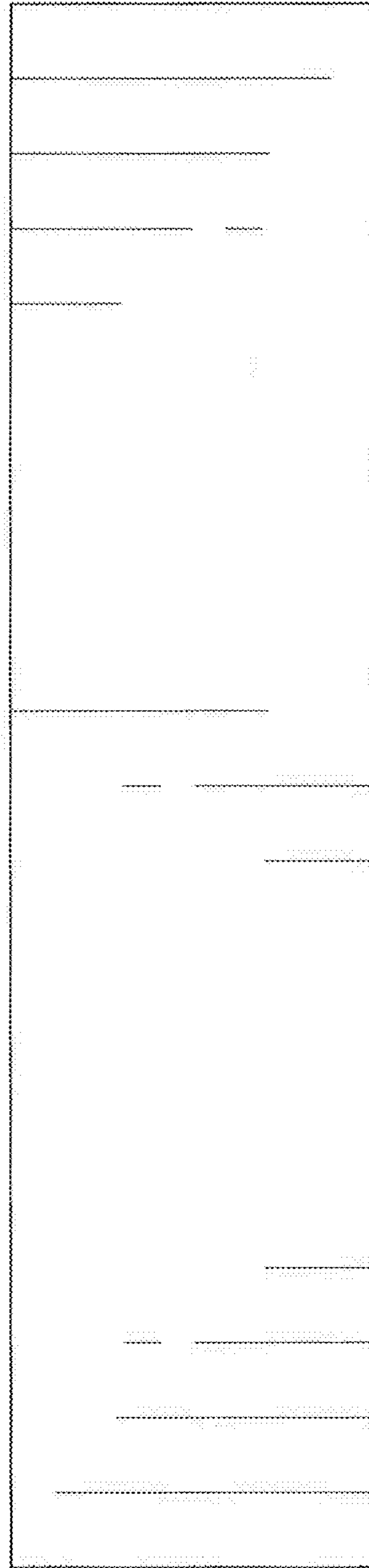


FIG. 12

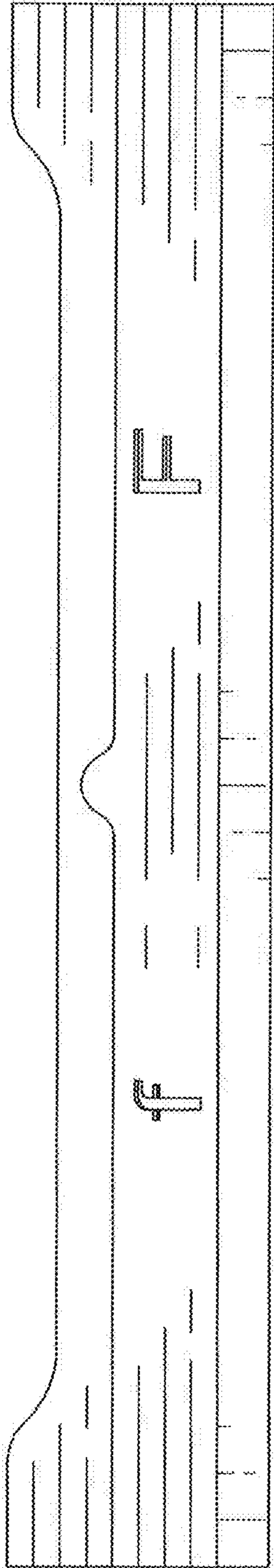


FIG. 13



FIG. 14

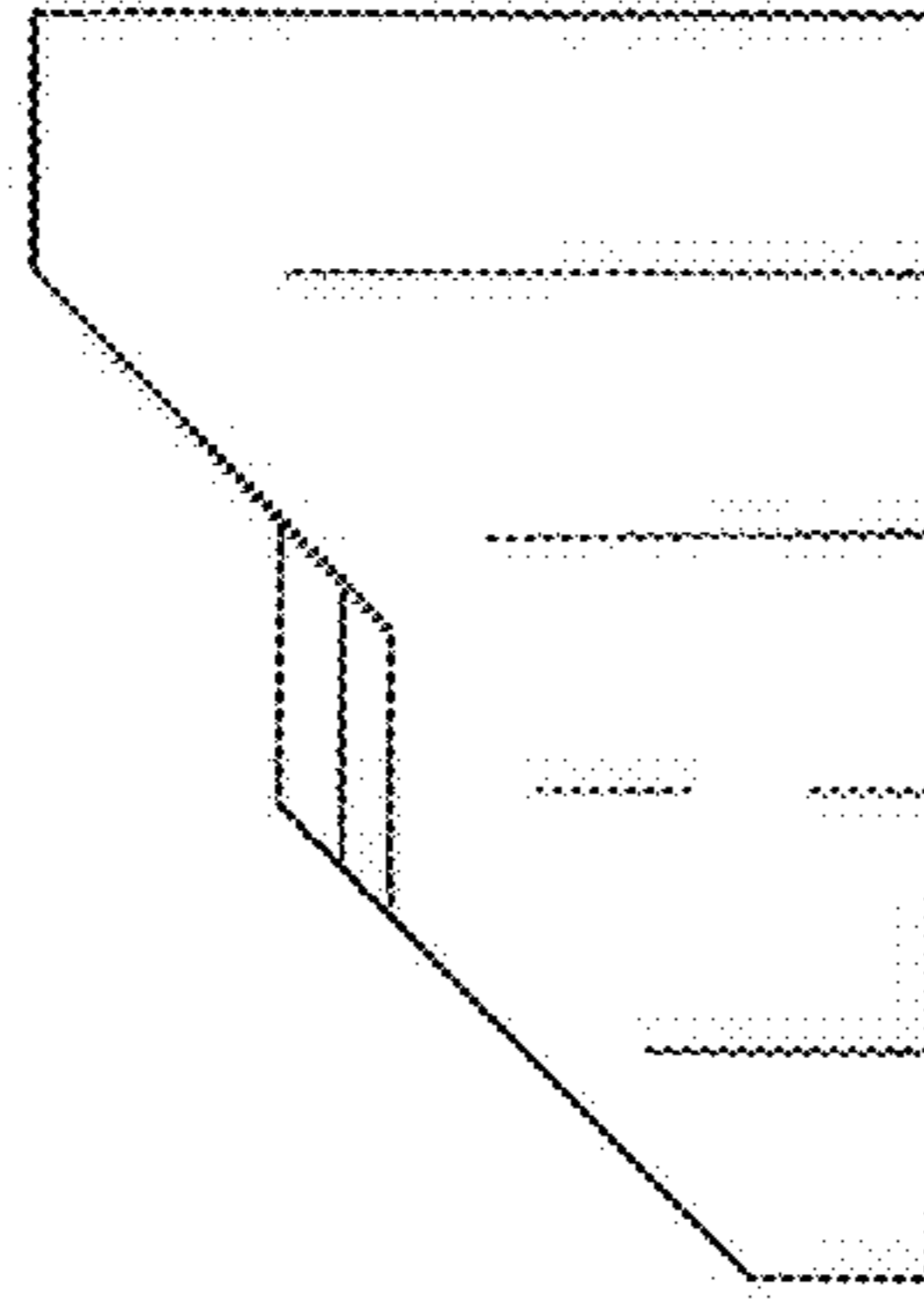


FIG. 15

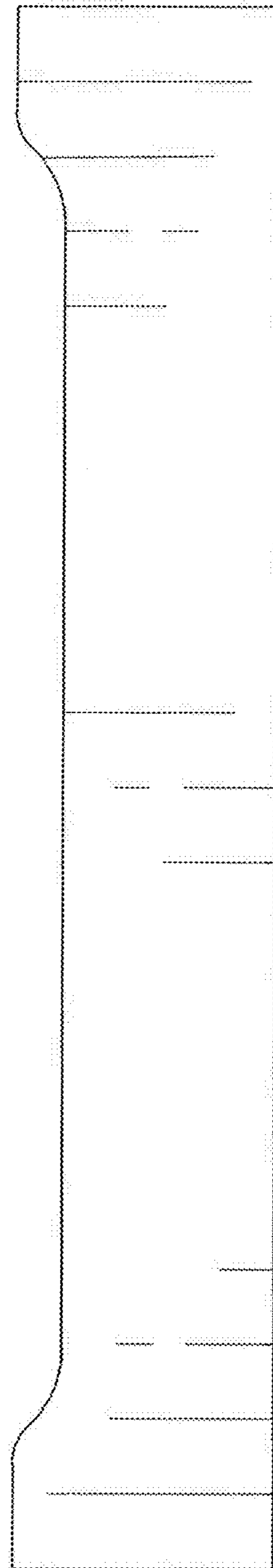


FIG. 16