



US00D886550S

(12) **United States Design Patent**
Kokubo

(10) **Patent No.:** **US D886,550 S**
(45) **Date of Patent:** **** Jun. 9, 2020**

(54) **STAND FOR KITCHEN UTENSILS**

D665,844 S * 8/2012 Chuang D19/77
D669,322 S * 10/2012 Evans D7/640
D765,334 S * 8/2016 Donald D32/55
2015/0107117 A1* 4/2015 Bell A47G 21/14
30/143

(71) Applicant: **KOKUBO & CO., LTD.**, Wakayama
(JP)

(72) Inventor: **Yoshiaki Kokubo**, Wakayama (JP)

* cited by examiner

(73) Assignee: **KOKUBO & CO., LTD.**, Wakayama
(JP)

Primary Examiner — Janice Patyk
(74) *Attorney, Agent, or Firm* — Culpepper IP, LLC;
Kerry S. Culpepper

(**) Term: **15 Years**

(57) **CLAIM**

(21) Appl. No.: **29/664,476**

The ornamental design for a stand for kitchen utensils, as shown and described.

(22) Filed: **Sep. 25, 2018**

DESCRIPTION

(30) **Foreign Application Priority Data**

Apr. 17, 2018 (JP) 2018-008372

(51) **LOC (12) Cl.** **07-07**

(52) **U.S. Cl.**
USPC **D7/637**

(58) **Field of Classification Search**
USPC D7/637-641; 30/298.4; 211/60.1, 70.6,
211/70.7; 248/37.3, 37.6; D3/273, 274;
D19/77, 81-86
CPC A47B 88/20; A47F 7/00; A47G 21/00;
A47G 21/14; B26B 3/00
See application file for complete search history.

FIG. 1 is a front view of a stand for kitchen utensils, shown in environmental use, showing my new design;
FIG. 2 is a rear view thereof, shown in environmental use;
FIG. 3 is a right side view thereof, shown in environmental use;
FIG. 4 is a left side view thereof, shown in environmental use;
FIG. 5 is a top plan view thereof, shown in environmental use;
FIG. 6 is a bottom plan view thereof, shown in environmental use;
FIG. 7 is a cross-sectional view thereof, taken along line 7-7 of FIG. 5, shown in environmental use;
FIG. 8 is a front view thereof;
FIG. 9 is a rear view thereof;
FIG. 10 is a right side view thereof;
FIG. 11 is a left side view thereof;
FIG. 12 is a top plan view thereof; and,
FIG. 13 is a bottom plan view thereof.
The broken lines in FIGS. 1-7 illustrate environmental subject matter that form no part of the claimed design.

(56) **References Cited**

U.S. PATENT DOCUMENTS

D333,594 S * 3/1993 Lin D7/638
D334,265 S * 3/1993 Giugiaro D32/55
D424,885 S * 5/2000 Joergensen D7/640
D477,636 S * 7/2003 Chen D19/77
D523,297 S * 6/2006 Yang D7/637
D662,785 S * 7/2012 Kern D32/55

1 Claim, 7 Drawing Sheets

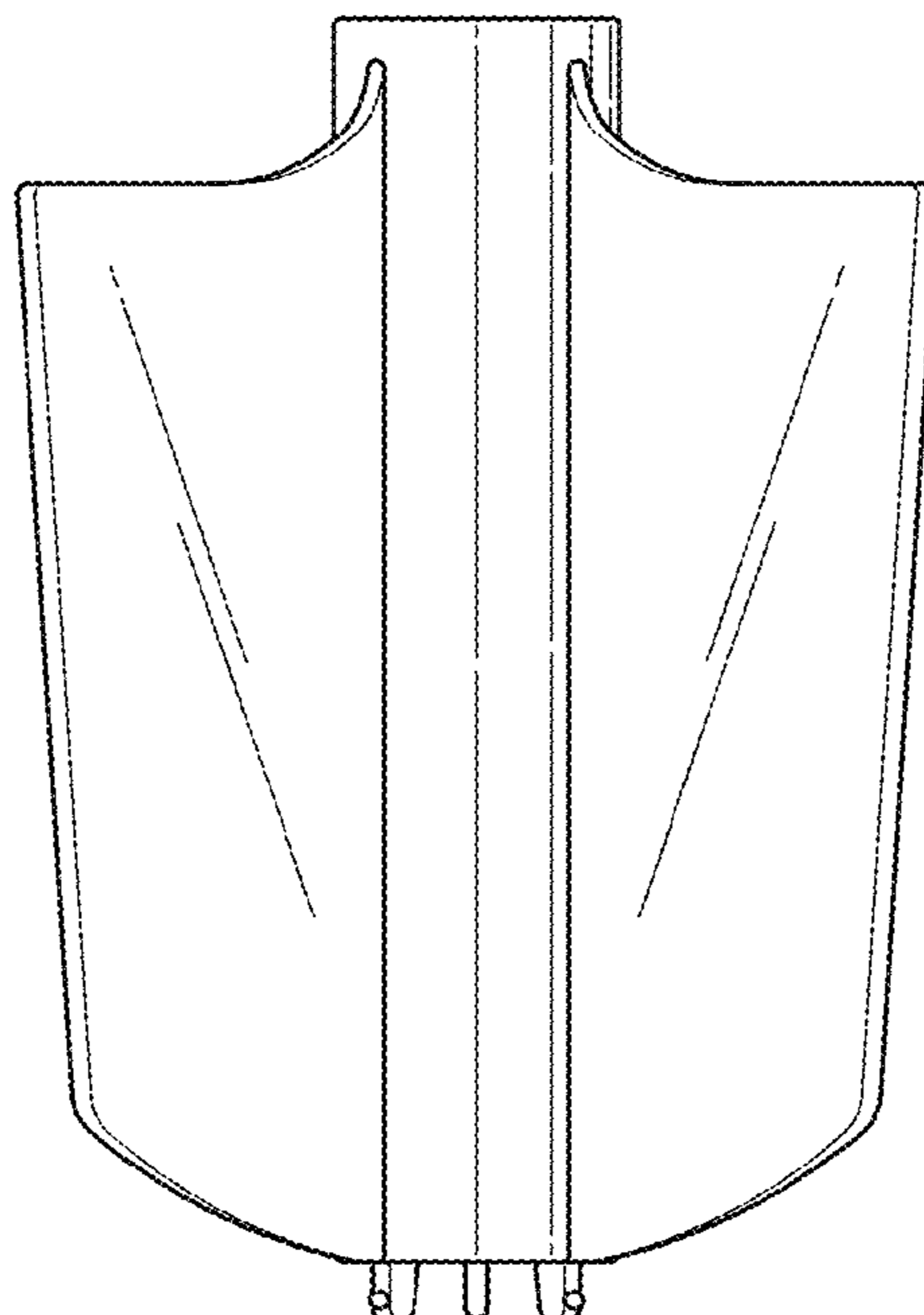


FIG. 1

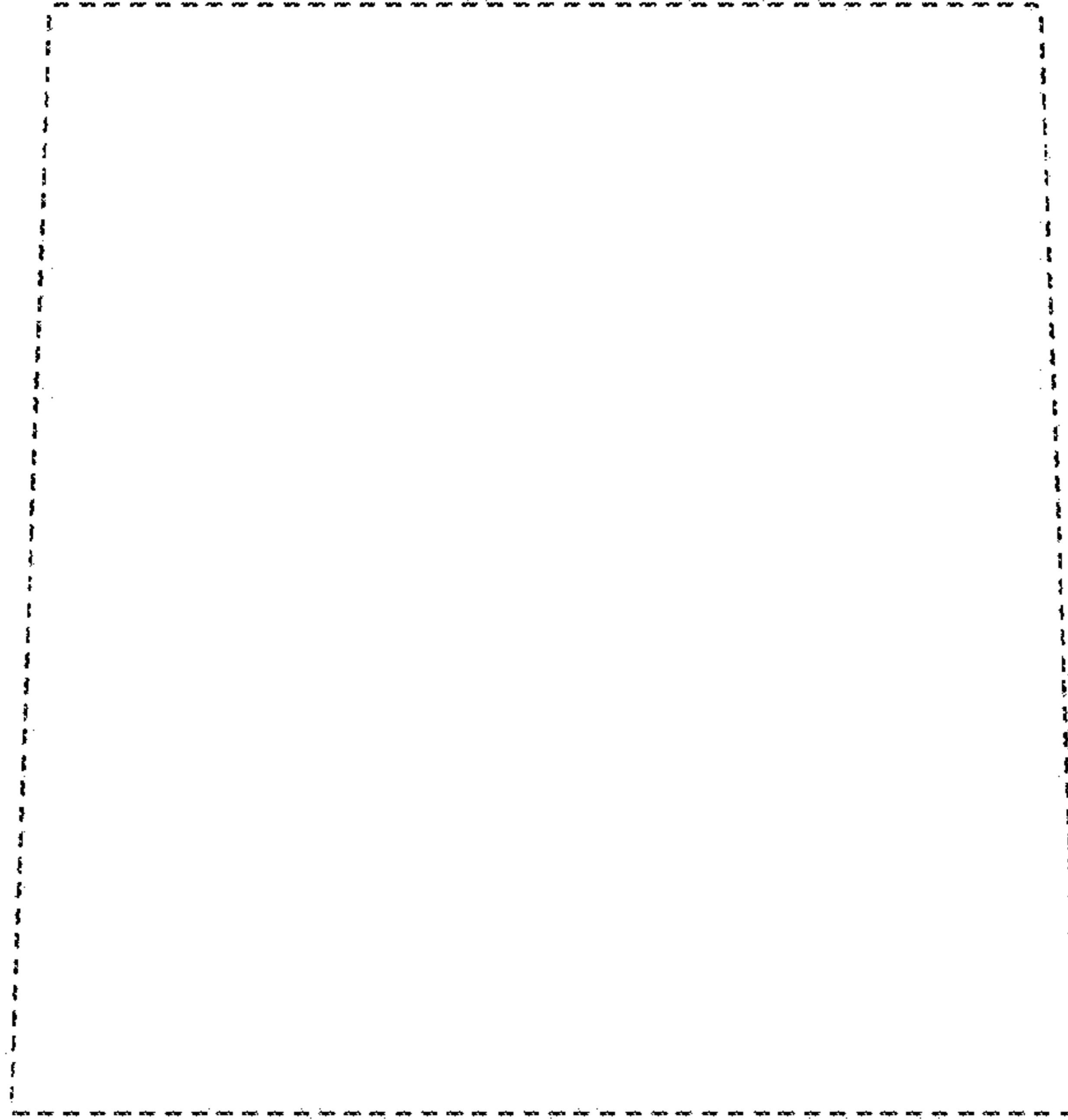


FIG. 2

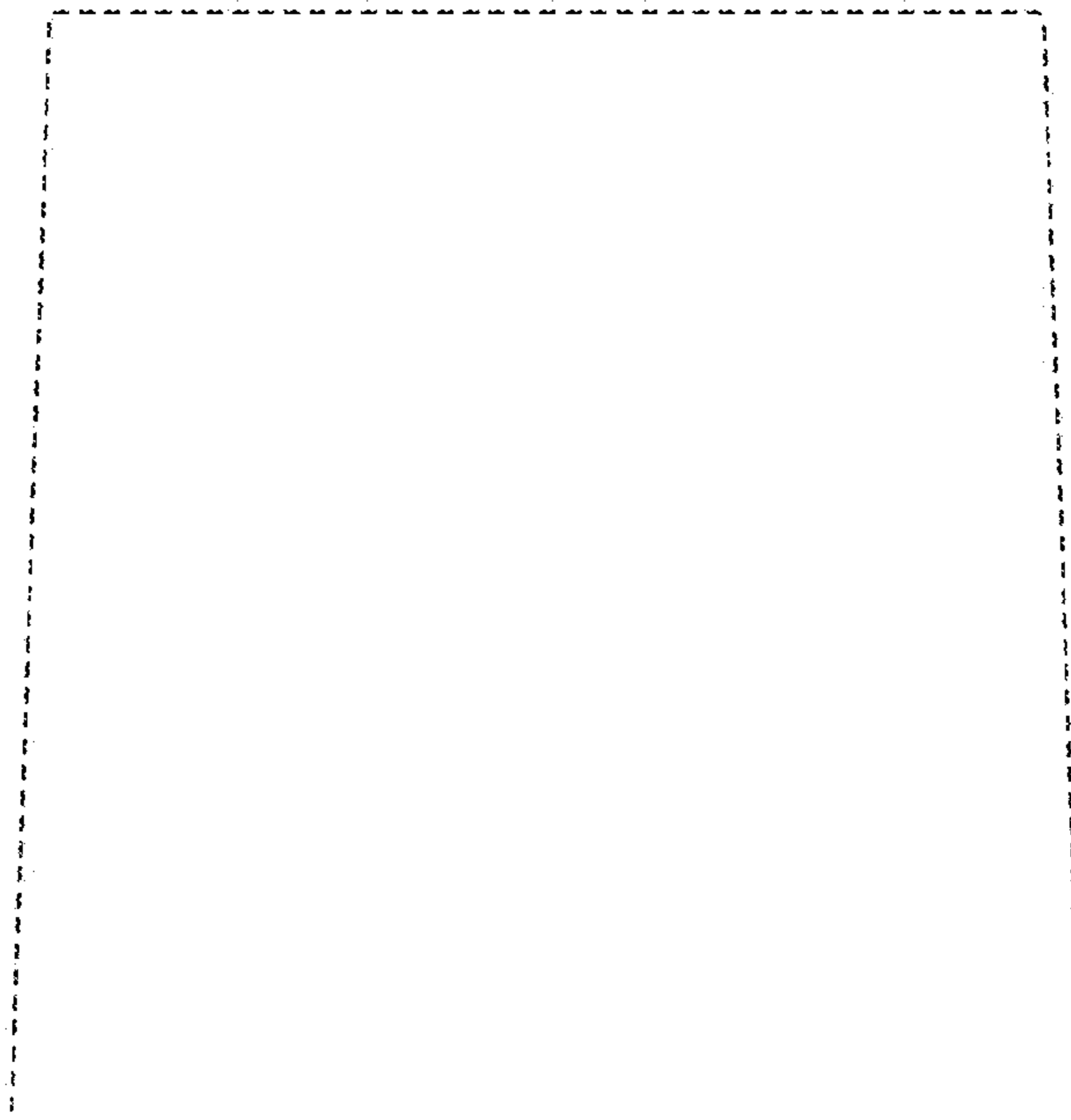


FIG. 3

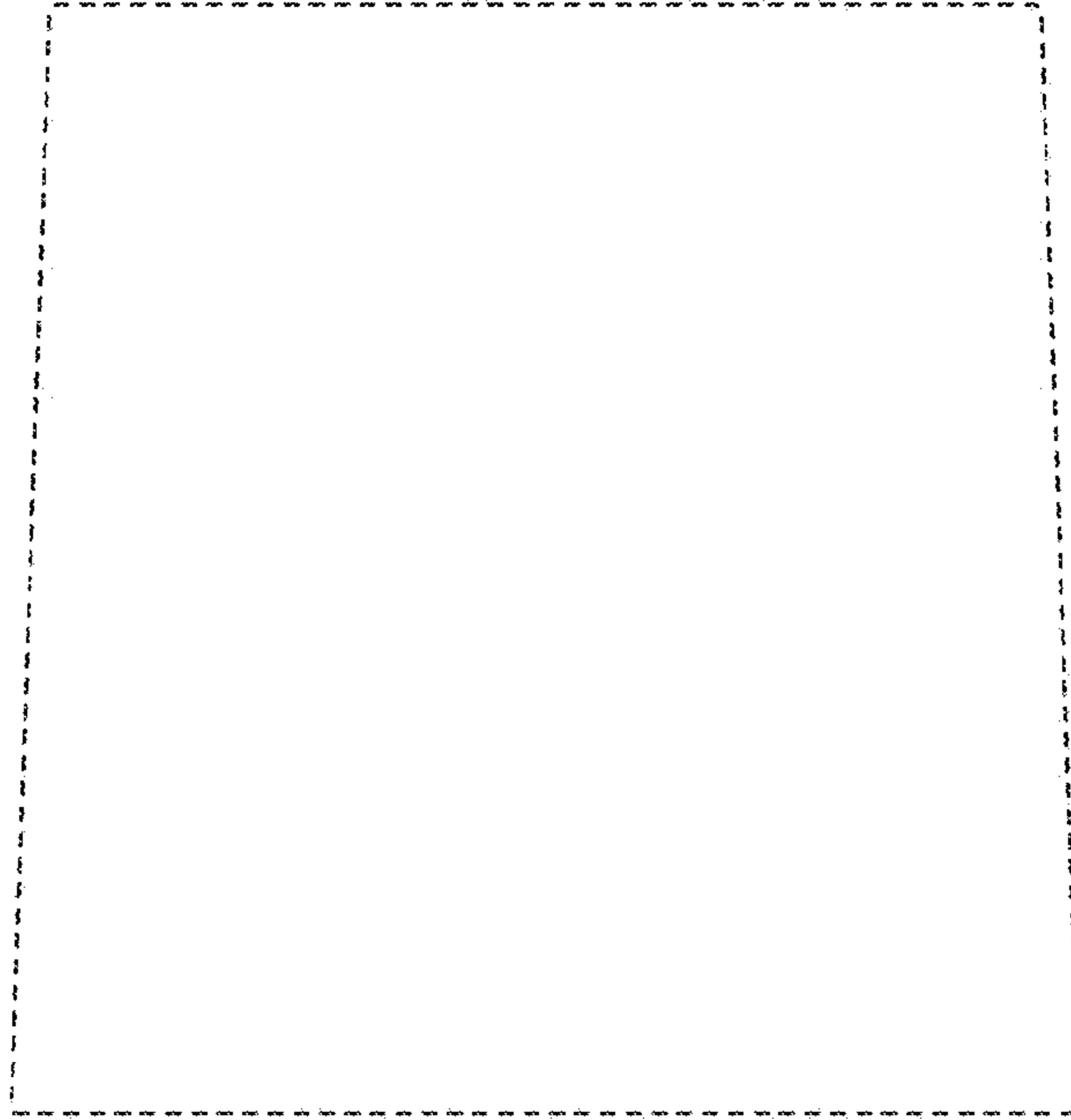


FIG. 4

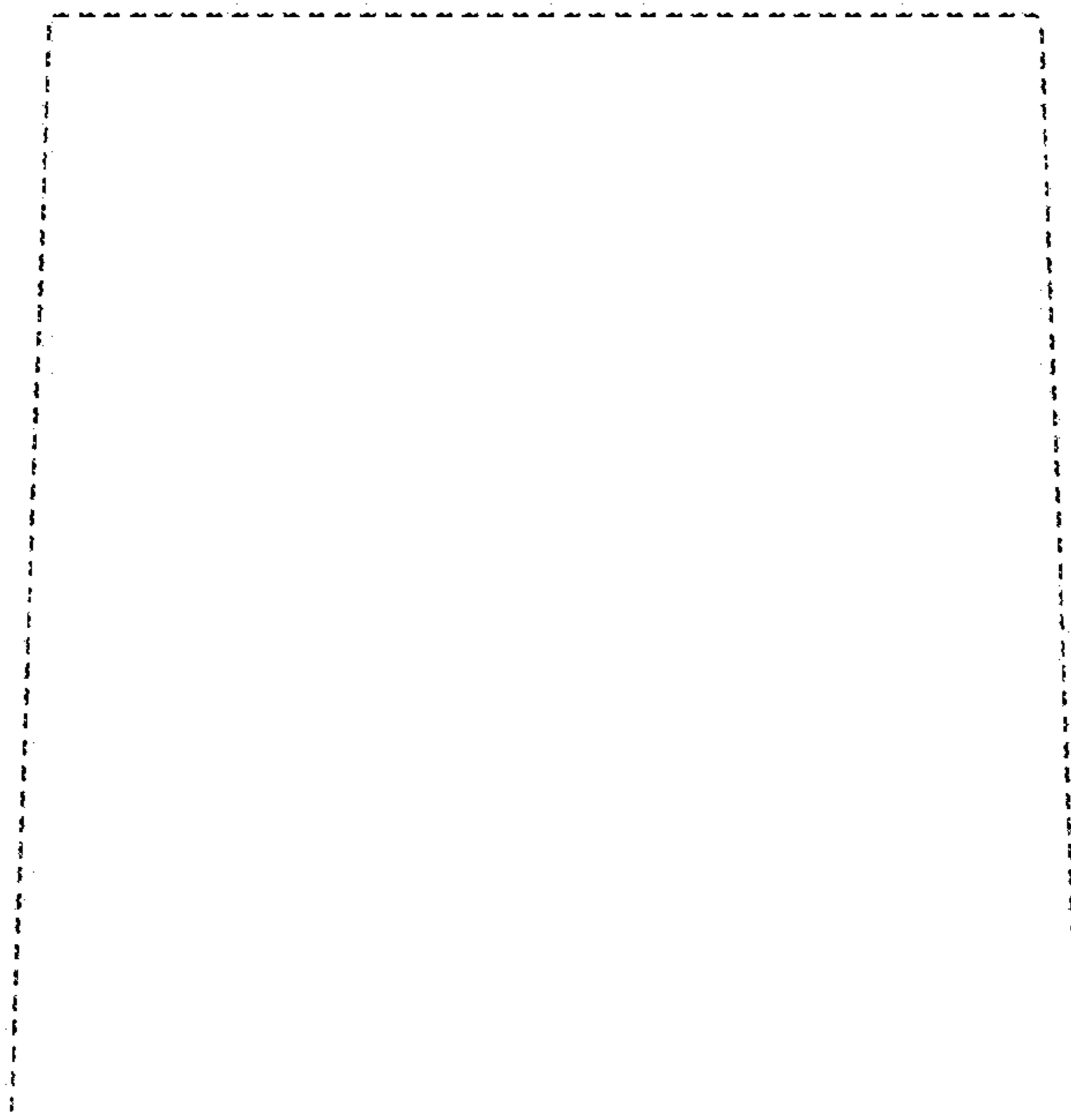


FIG. 5

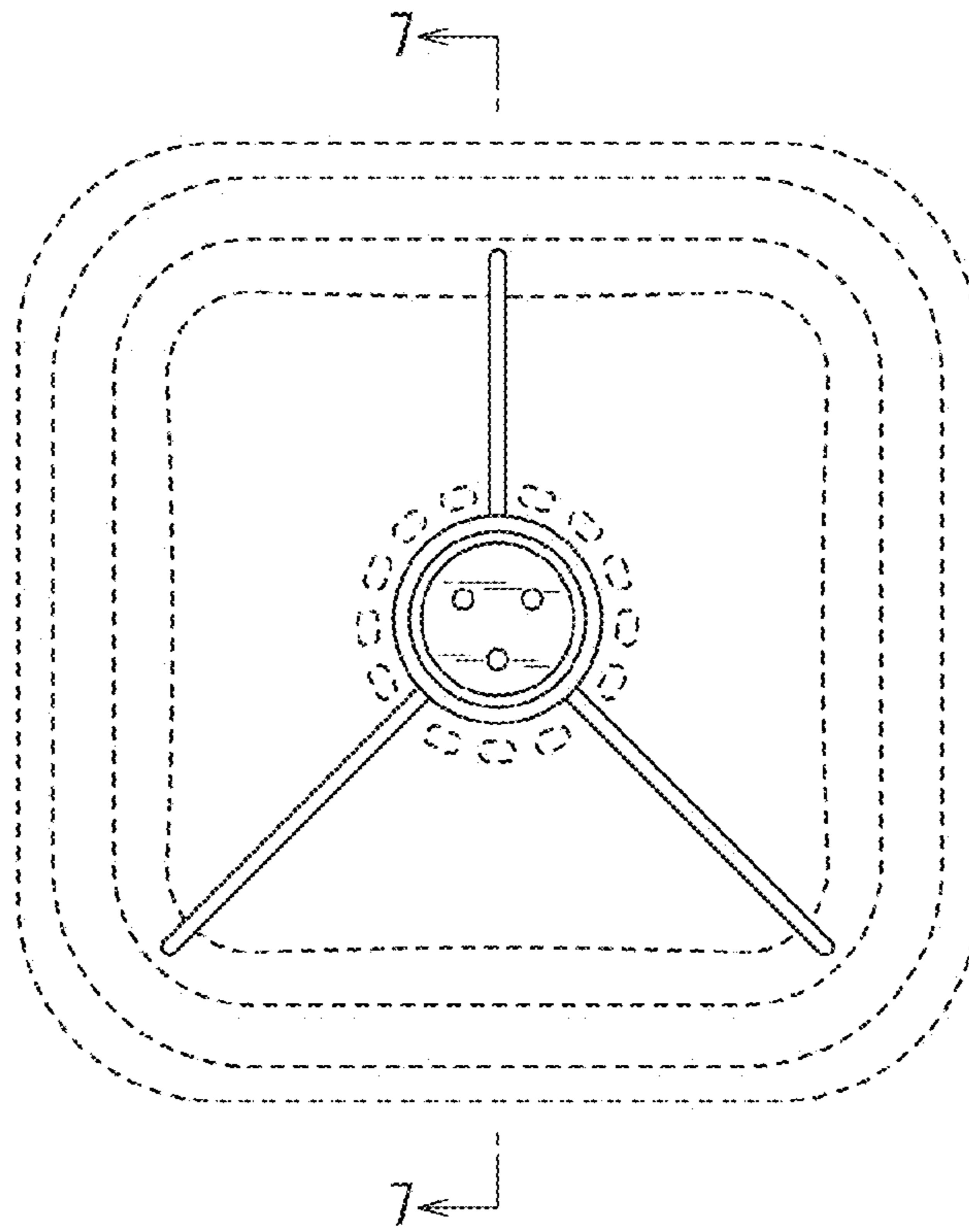


FIG. 6

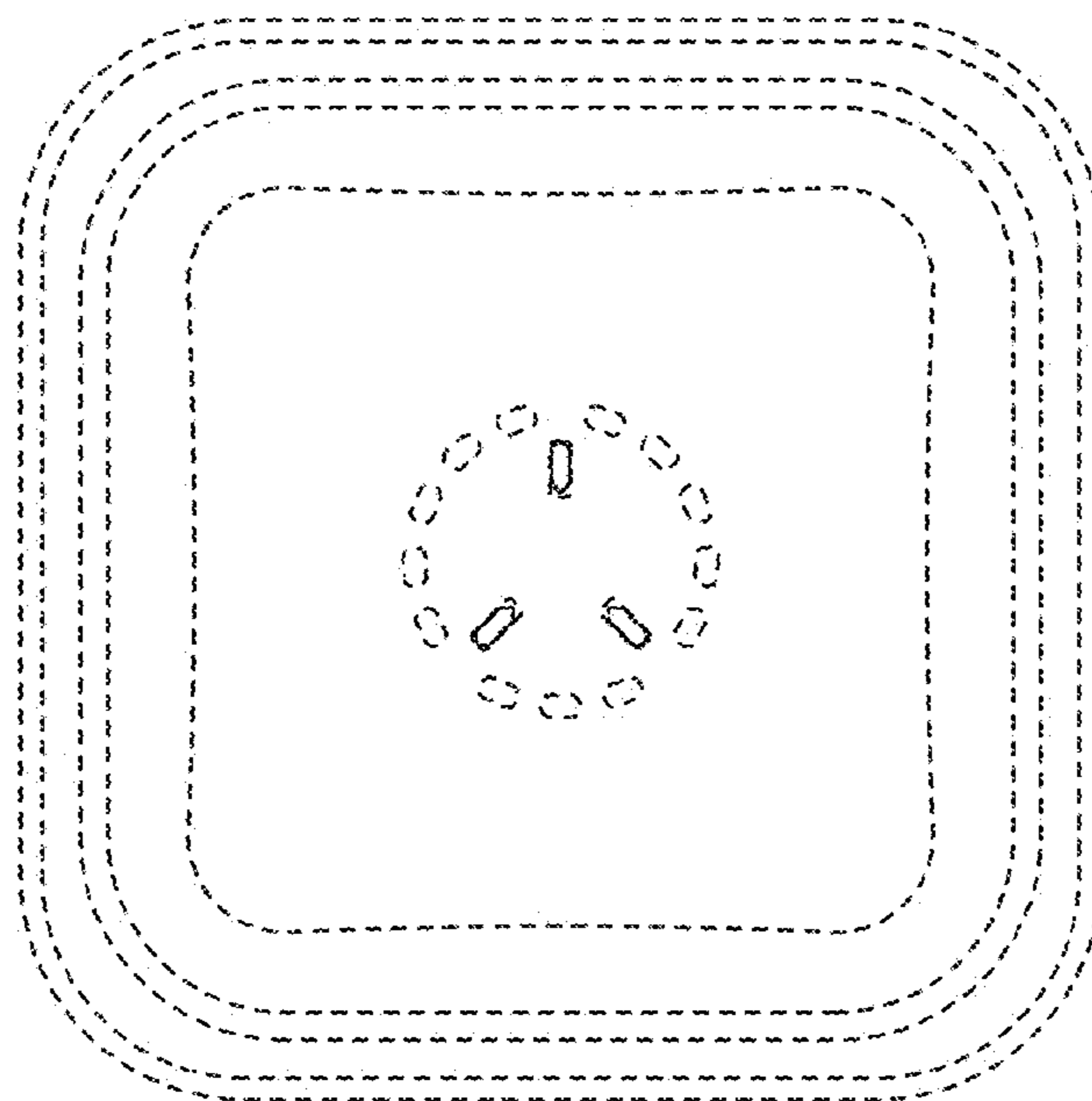


FIG. 7

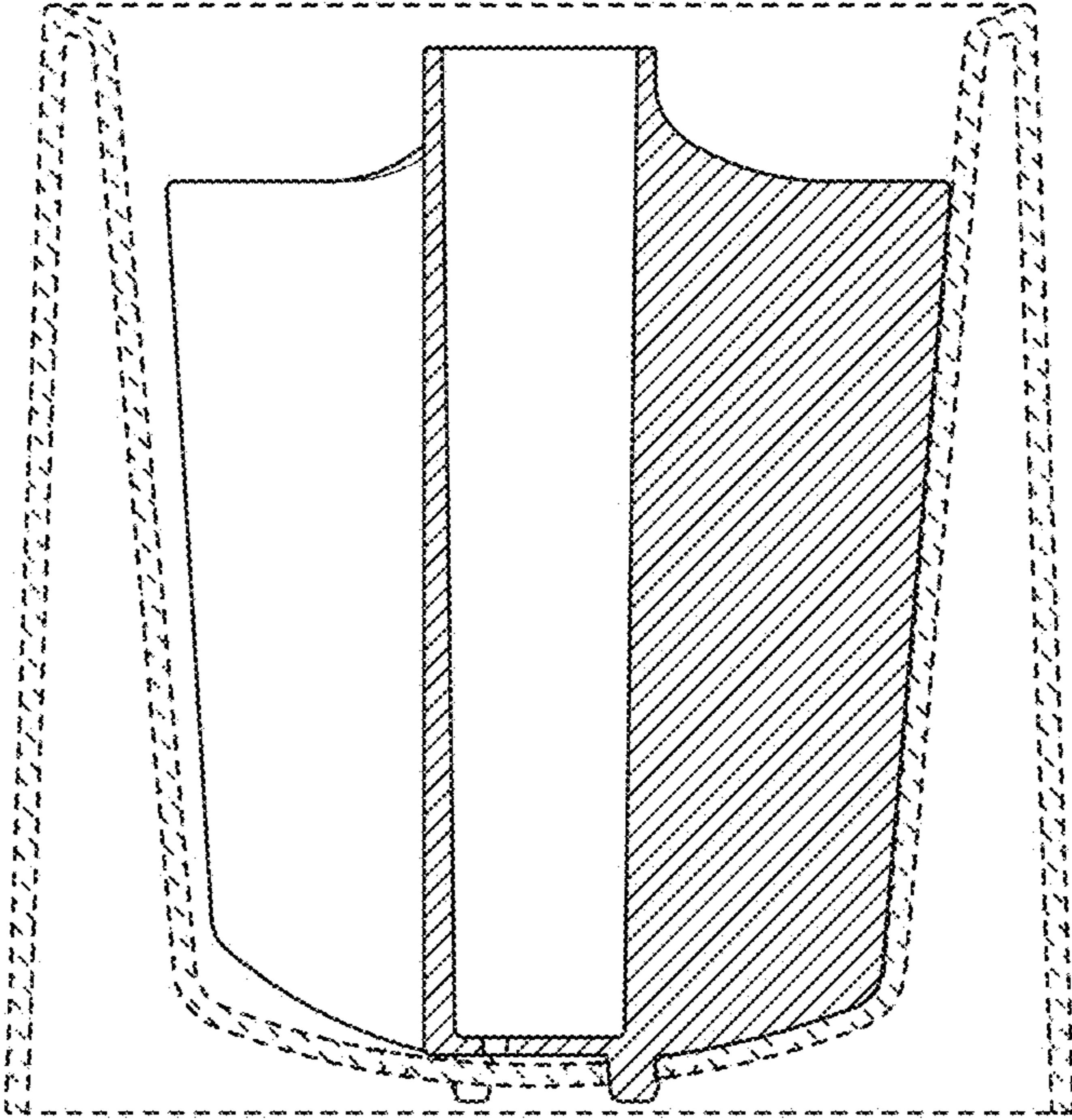


FIG. 8

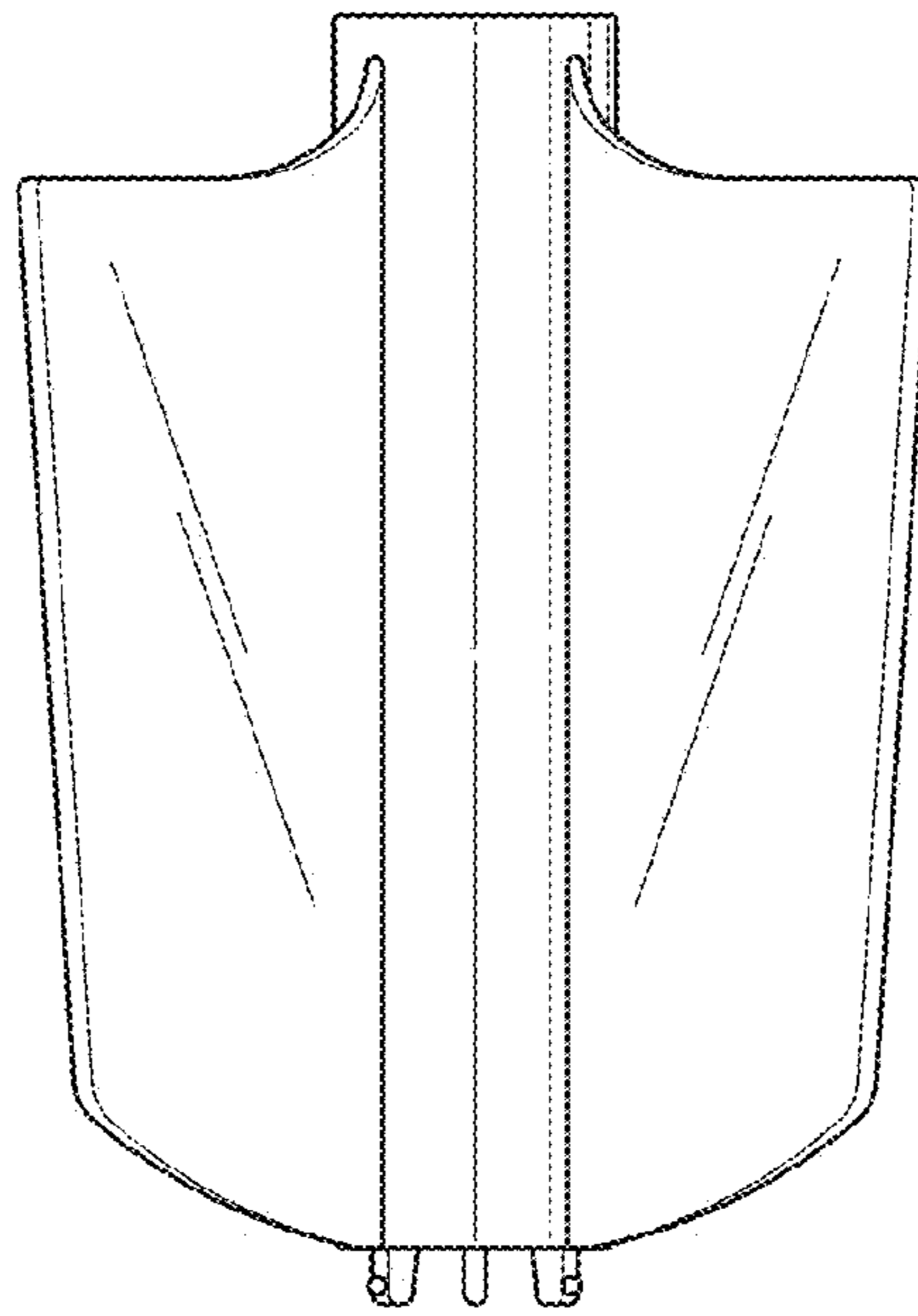


FIG. 9

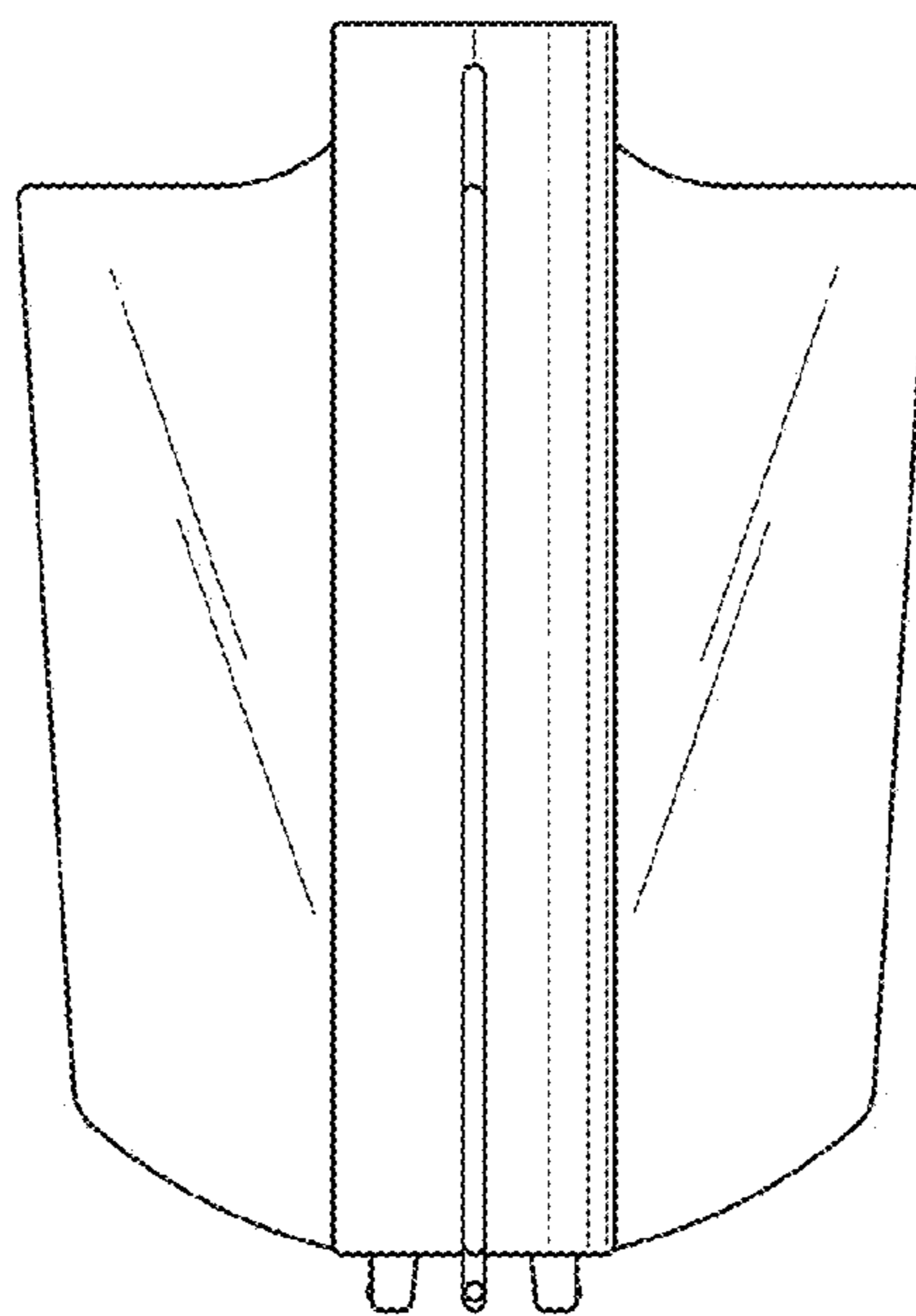


FIG. 10

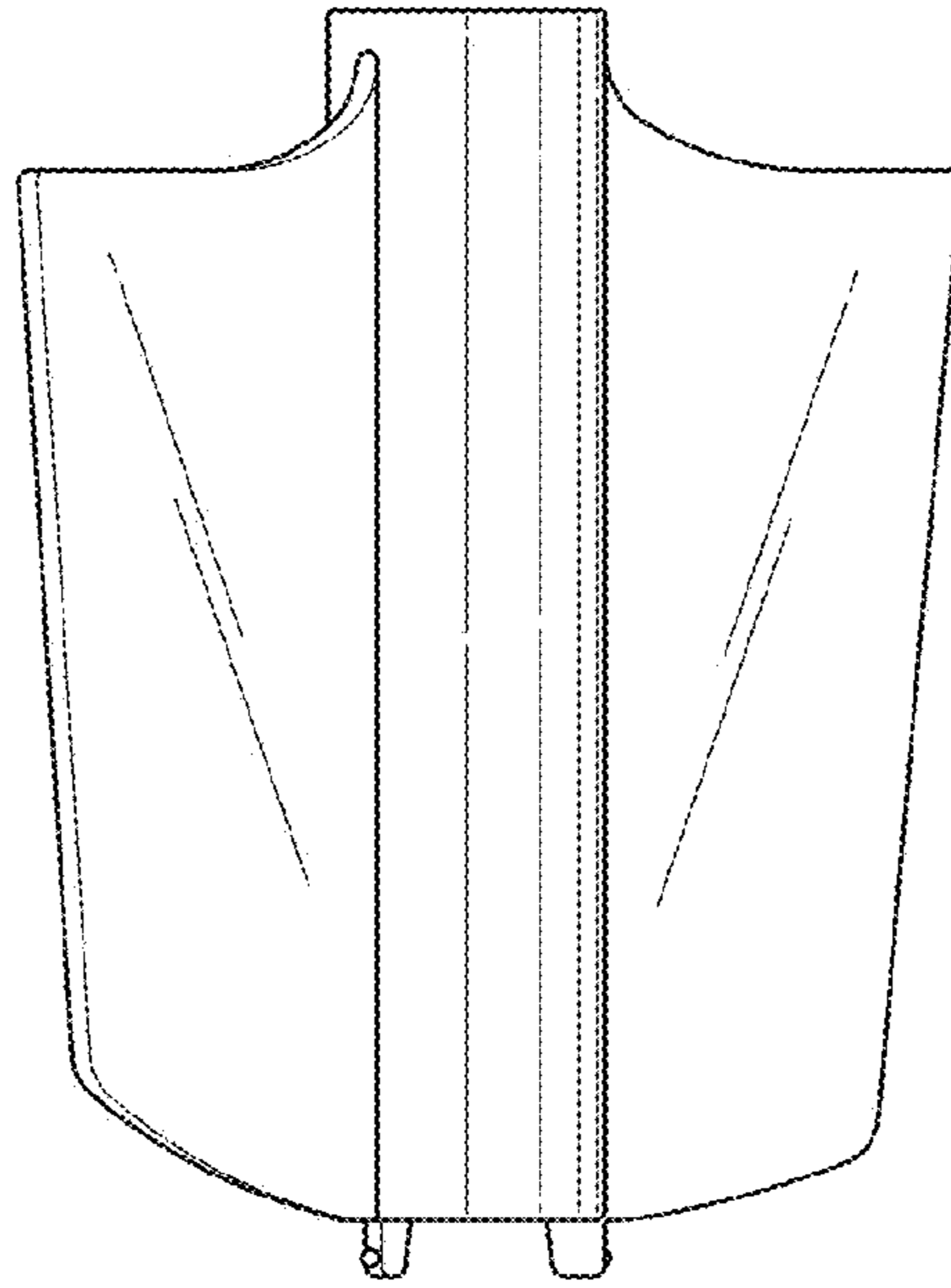


FIG. 11

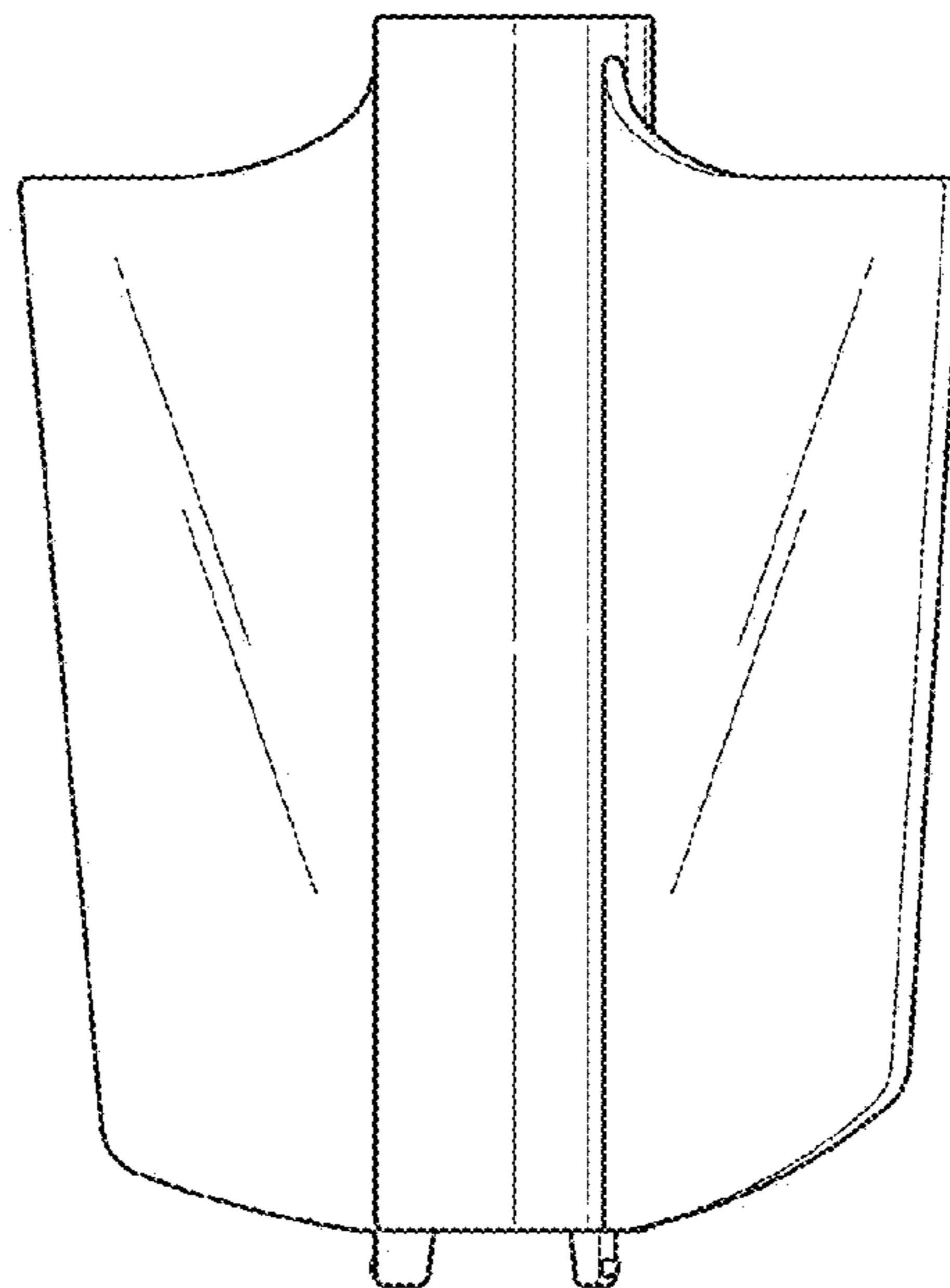


FIG. 12

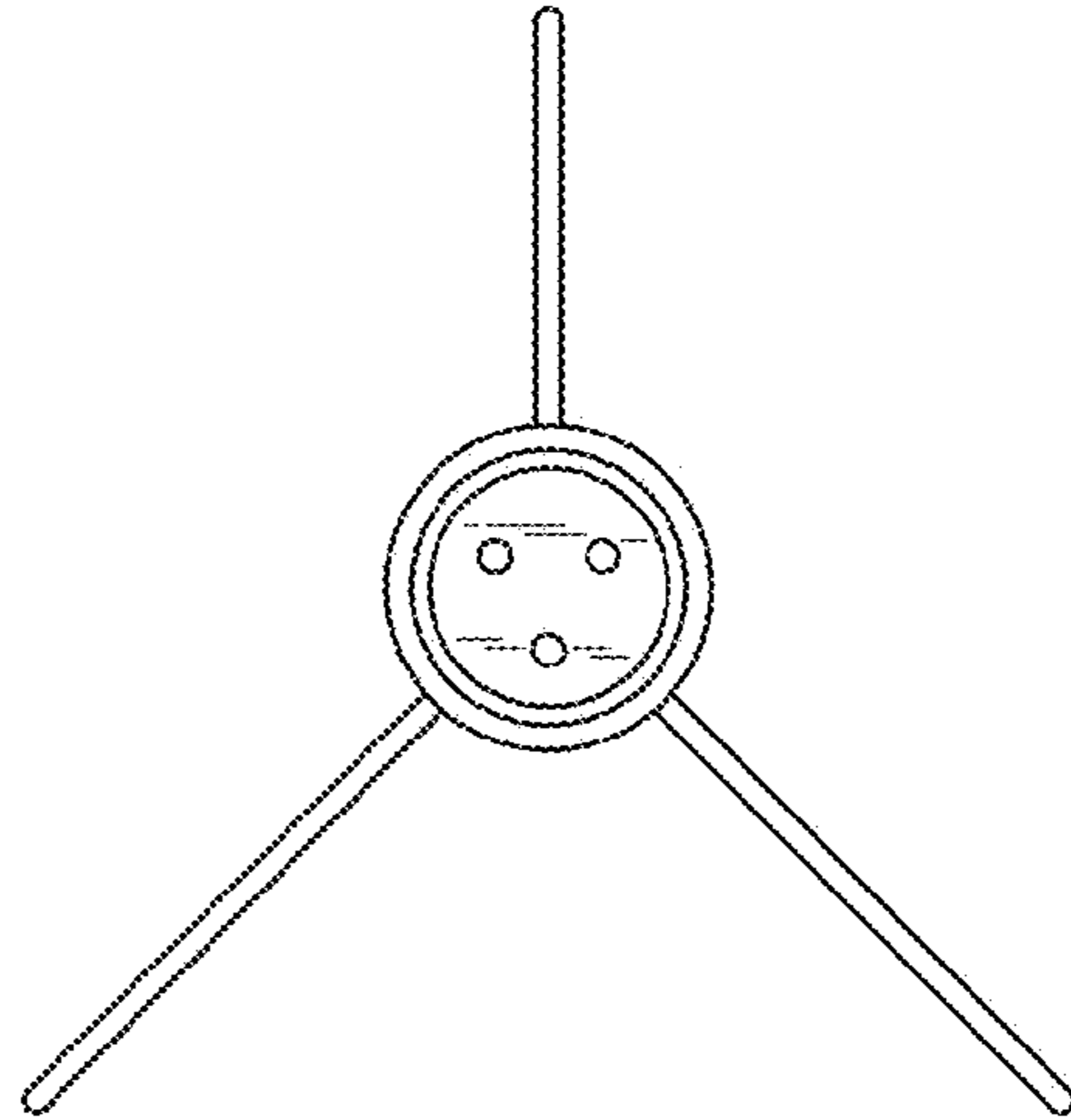


FIG. 13

