



US00D886549S

(12) **United States Design Patent**  
**Kim**

(10) **Patent No.:** **US D886,549 S**

(45) **Date of Patent:** **\*\* Jun. 9, 2020**

(54) **COMBINED GRILL MAT AND UTENSIL HOLDER**

(71) Applicant: **Scott Kim**, Rancho Santa Fe, CA (US)

(72) Inventor: **Scott Kim**, Rancho Santa Fe, CA (US)

(\*\*) Term: **15 Years**

(21) Appl. No.: **29/663,758**

(22) Filed: **Sep. 18, 2018**

(51) **LOC (12) Cl.** ..... **07-07**

(52) **U.S. Cl.**

USPC ..... **D7/637**

(58) **Field of Classification Search**

USPC ..... D3/306; D6/566-574; D7/631,  
D7/637-641; 211/41.4, 70.7, 85.31,  
211/90.03, 106, 126.8, 126.9, 133.2,  
211/133.5; 220/485-488, 491; 248/37.3,  
248/37.6, 153, 175

CPC . A47B 88/00; A47B 88/20; A47F 7/00; A47F  
7/14; A47G 21/00; A47G 21/16; B65D  
1/34; B65D 1/36; B65D 21/046; B65D  
21/048; G09F 1/14

See application file for complete search history.

(56) **References Cited**

**U.S. PATENT DOCUMENTS**

2,807,361 A \* 9/1957 Junkin ..... B65D 5/504  
206/553  
D291,268 S \* 8/1987 Stephenson ..... A46B 17/04  
D6/534  
5,332,106 A \* 7/1994 Schlotte ..... A47G 21/14  
211/49.1  
D360,560 S \* 7/1995 Stroecker ..... D7/637

6,604,714 B1 \* 8/2003 Hall ..... A47F 7/0035  
206/232  
D504,587 S \* 5/2005 Root ..... D6/534  
6,994,304 B2 \* 2/2006 Kim ..... A47G 21/14  
248/174  
D617,609 S \* 6/2010 Thomas ..... D7/601  
7,975,857 B2 \* 7/2011 Restis ..... A47L 19/02  
206/553

\* cited by examiner

*Primary Examiner* — Janice Patyk

(74) *Attorney, Agent, or Firm* — Quickpatents, LLC;  
Kevin Prince

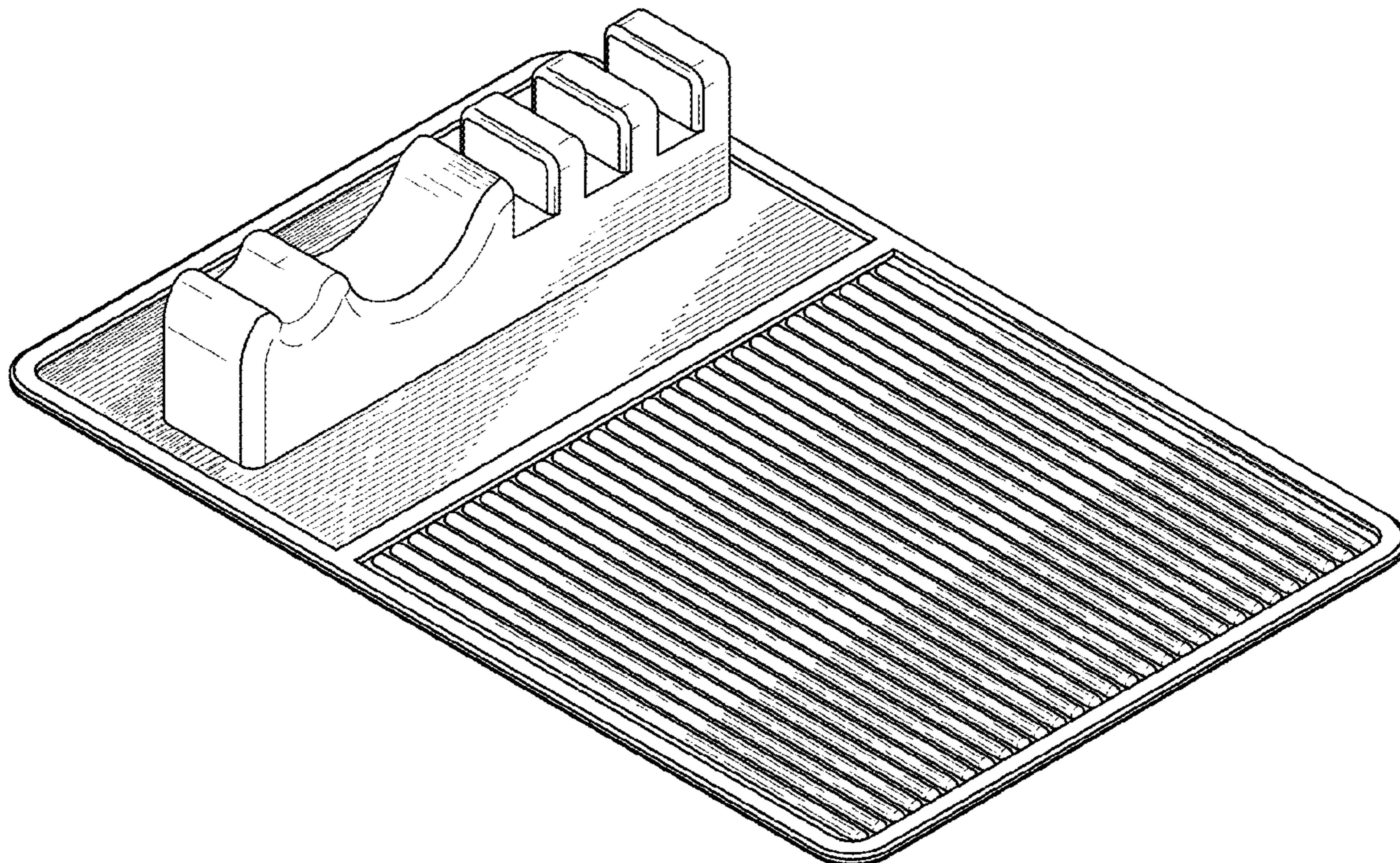
(57) **CLAIM**

I claim the ornamental design for a combined grill mat and utensil holder, as shown and described.

**DESCRIPTION**

FIG. 1 is a perspective view of a combined grill mat and utensil holder, showing my new design;  
FIG. 2 is a front elevational view thereof, the rear elevational view being a mirror image thereof;  
FIG. 3 is a left side elevational view thereof;  
FIG. 4 is a top plan view thereof;  
FIG. 5 is a bottom plan view thereof;  
FIG. 6 is an exploded perspective view thereof;  
FIG. 7 is an exploded front elevational view thereof, the rear elevational view being a mirror image thereof;  
FIG. 8 is an exploded left side elevational view thereof;  
FIG. 9 is an exploded top plan view thereof; and,  
FIG. 10 is an exploded bottom plan view thereof.

**1 Claim, 7 Drawing Sheets**



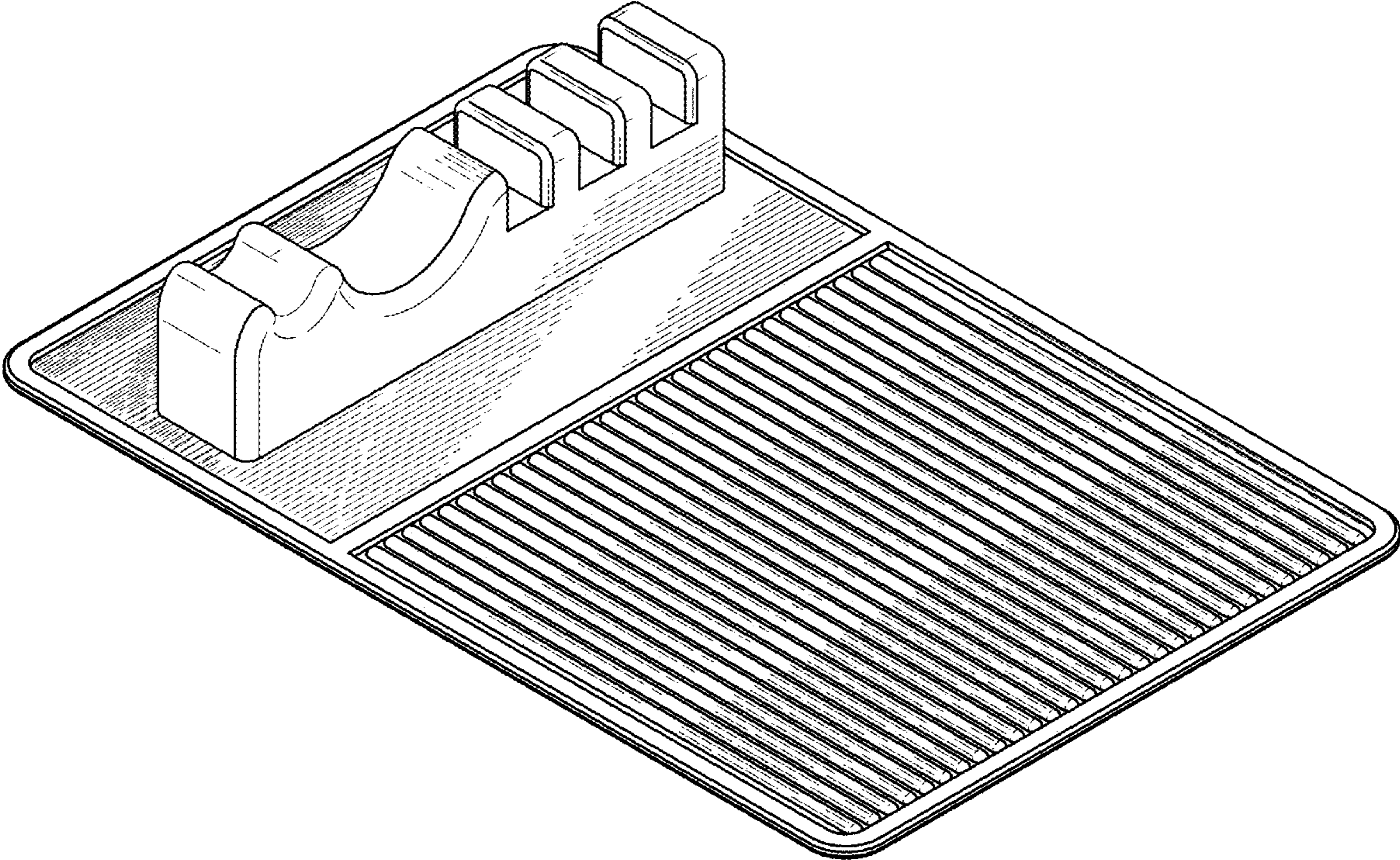


FIG. 1

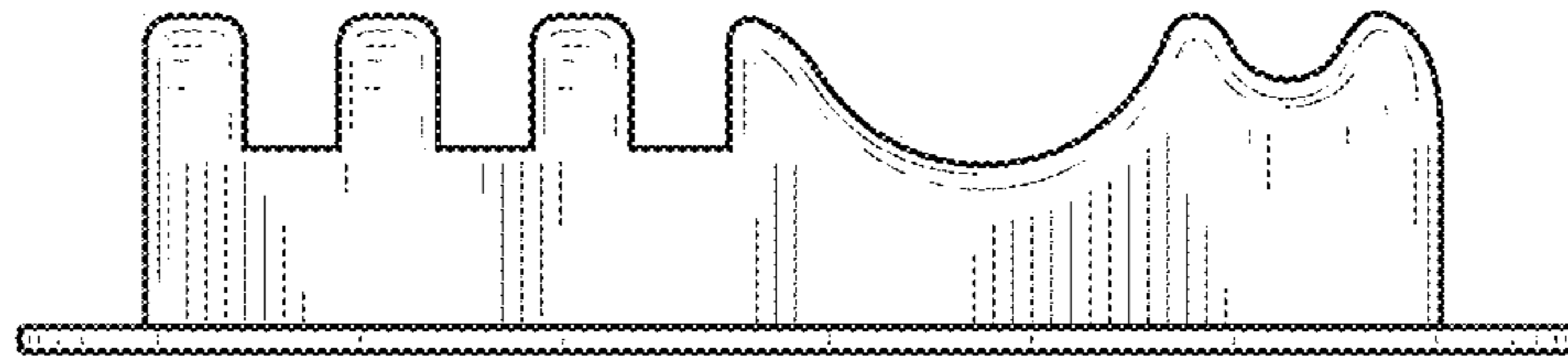


FIG. 2



FIG. 3

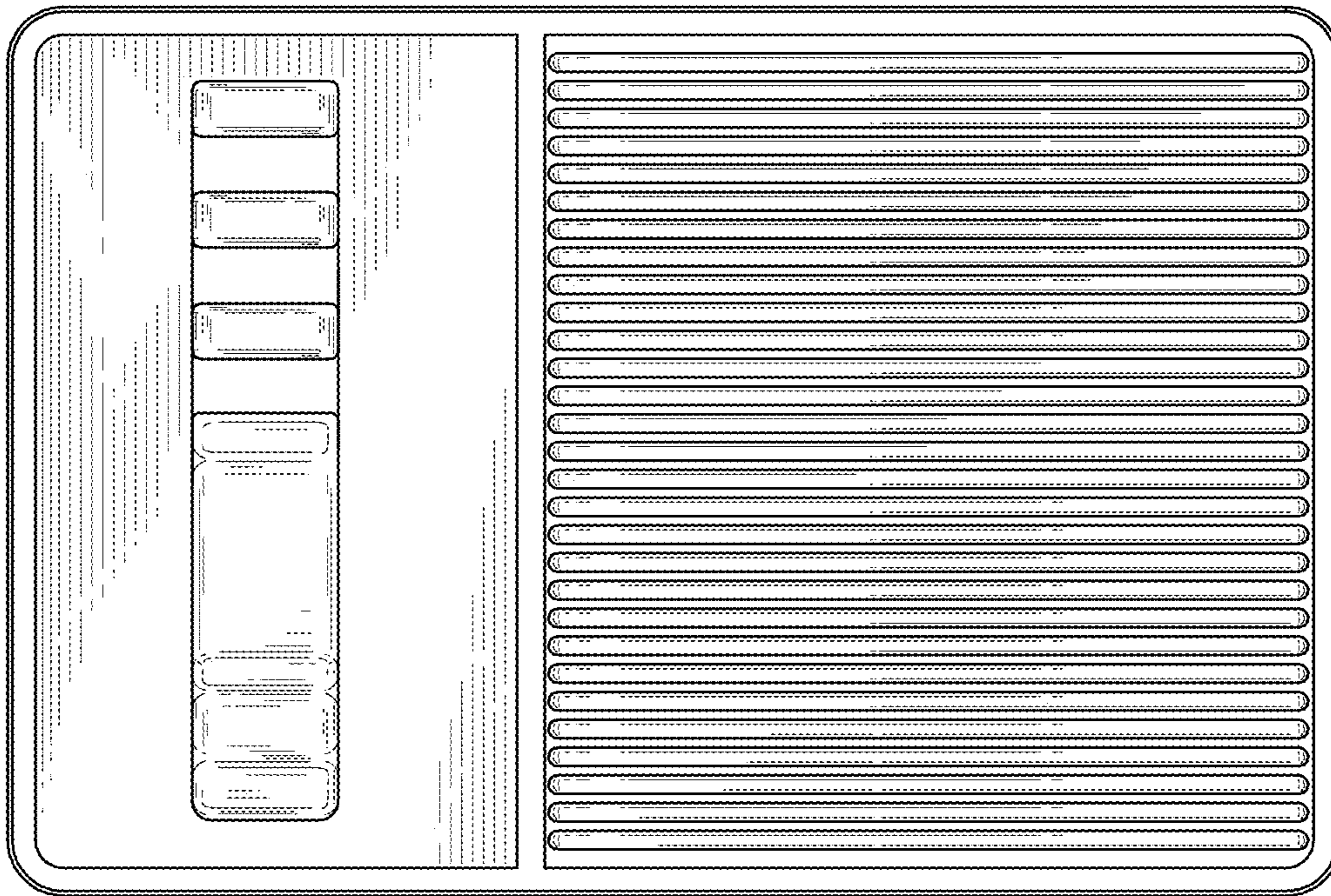


FIG. 4

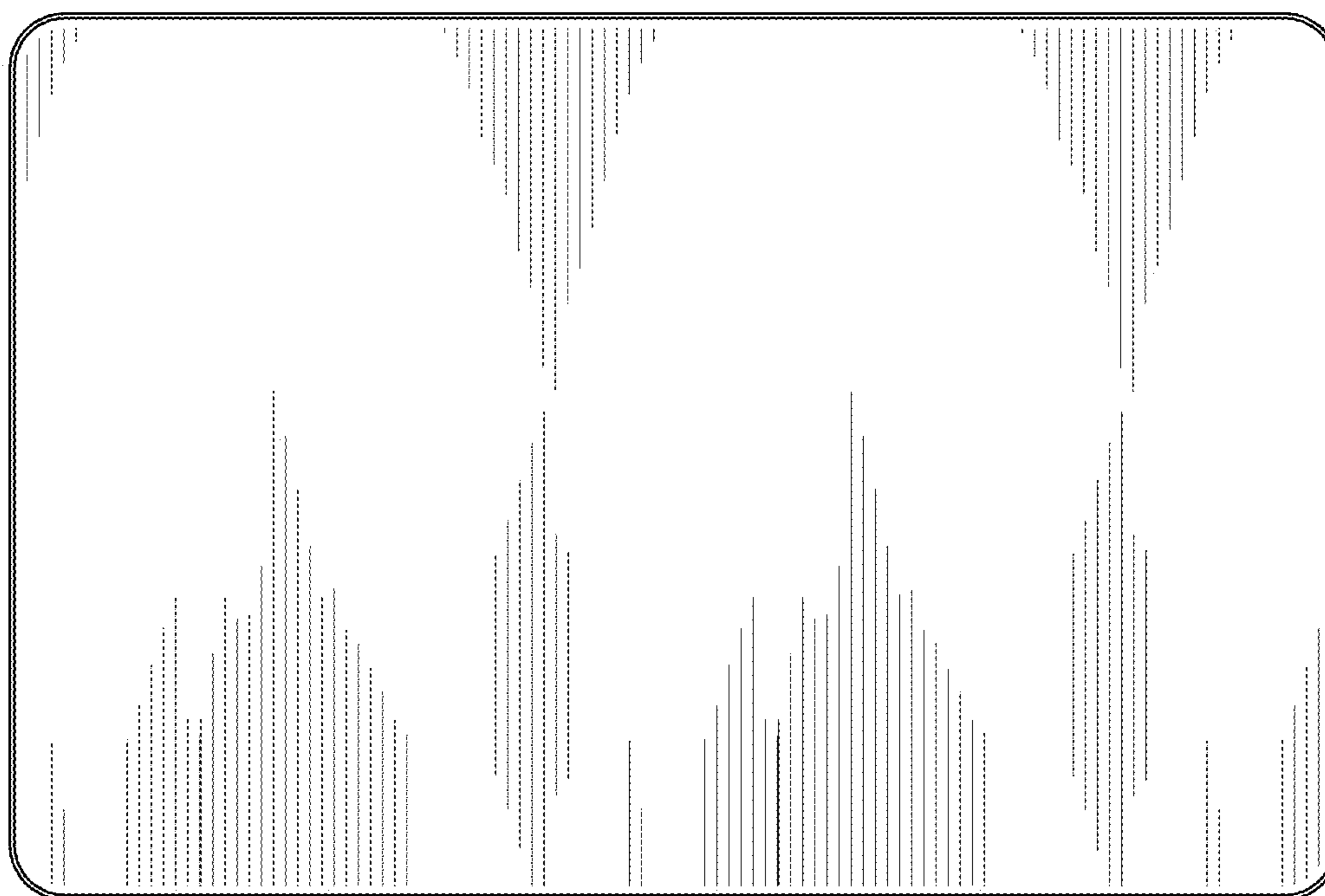


FIG. 5

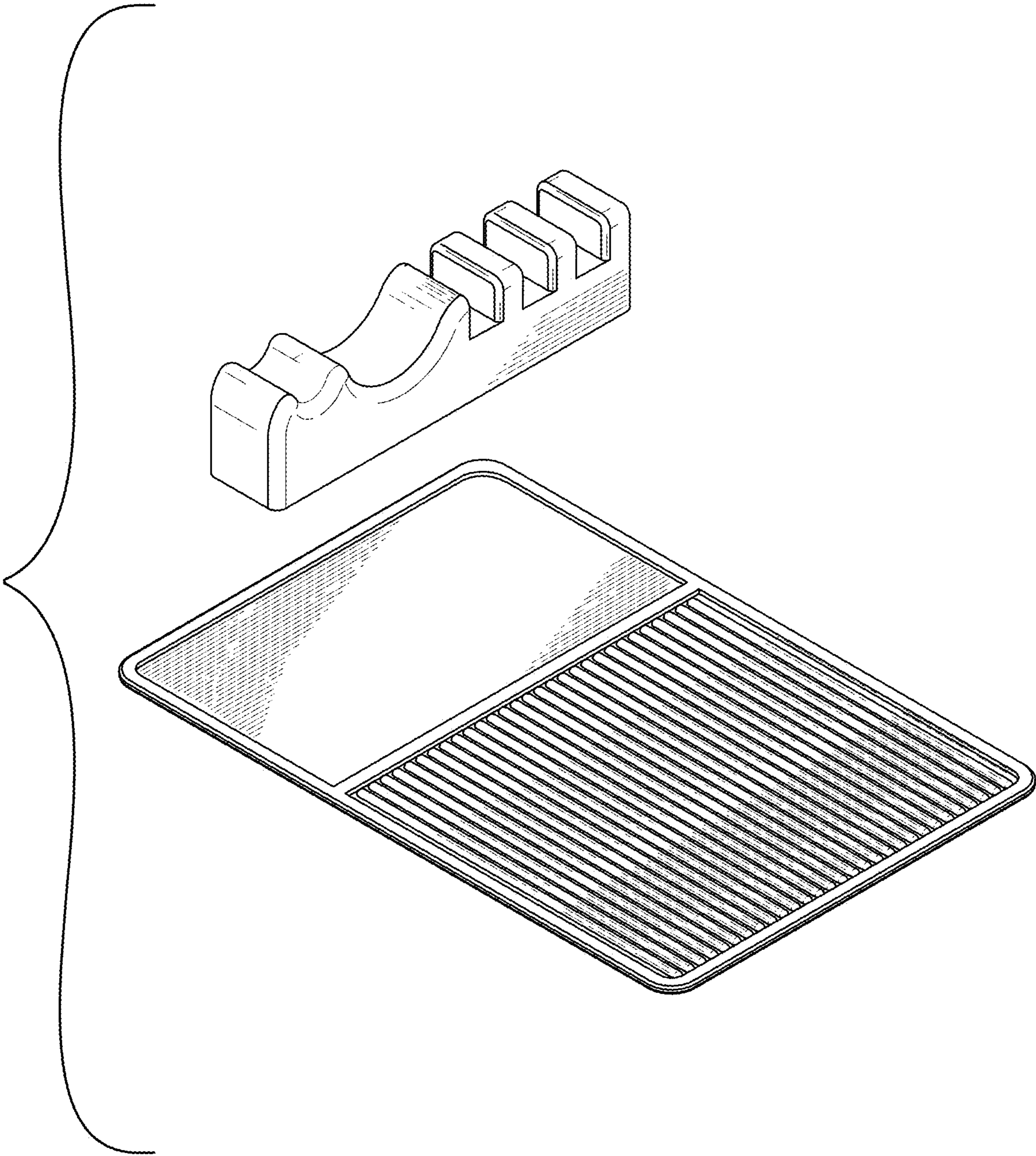
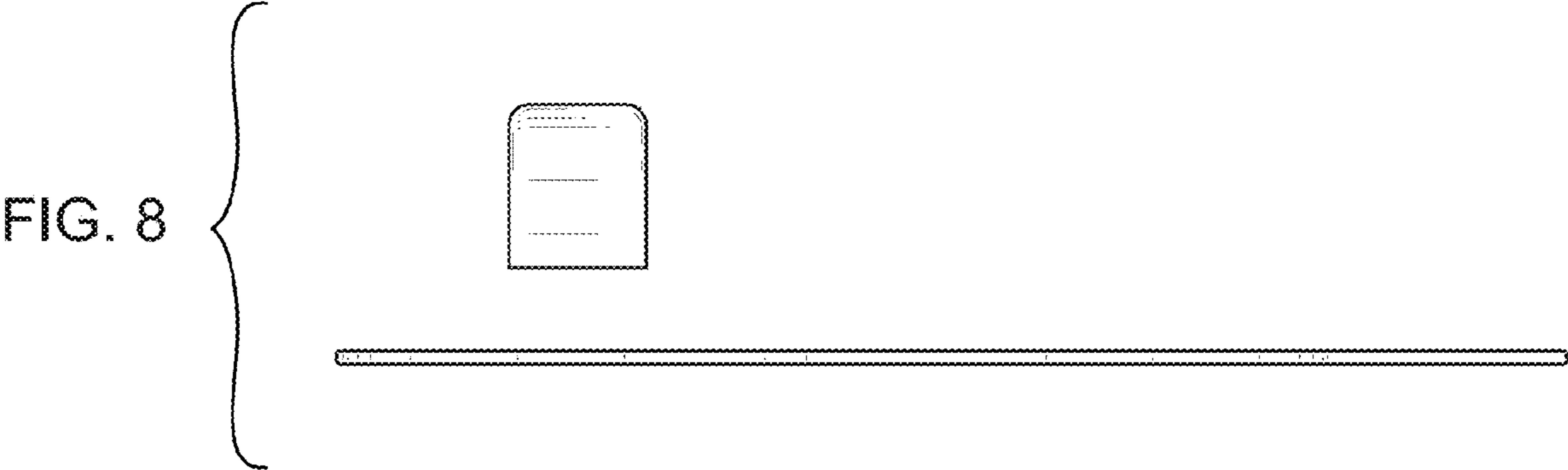
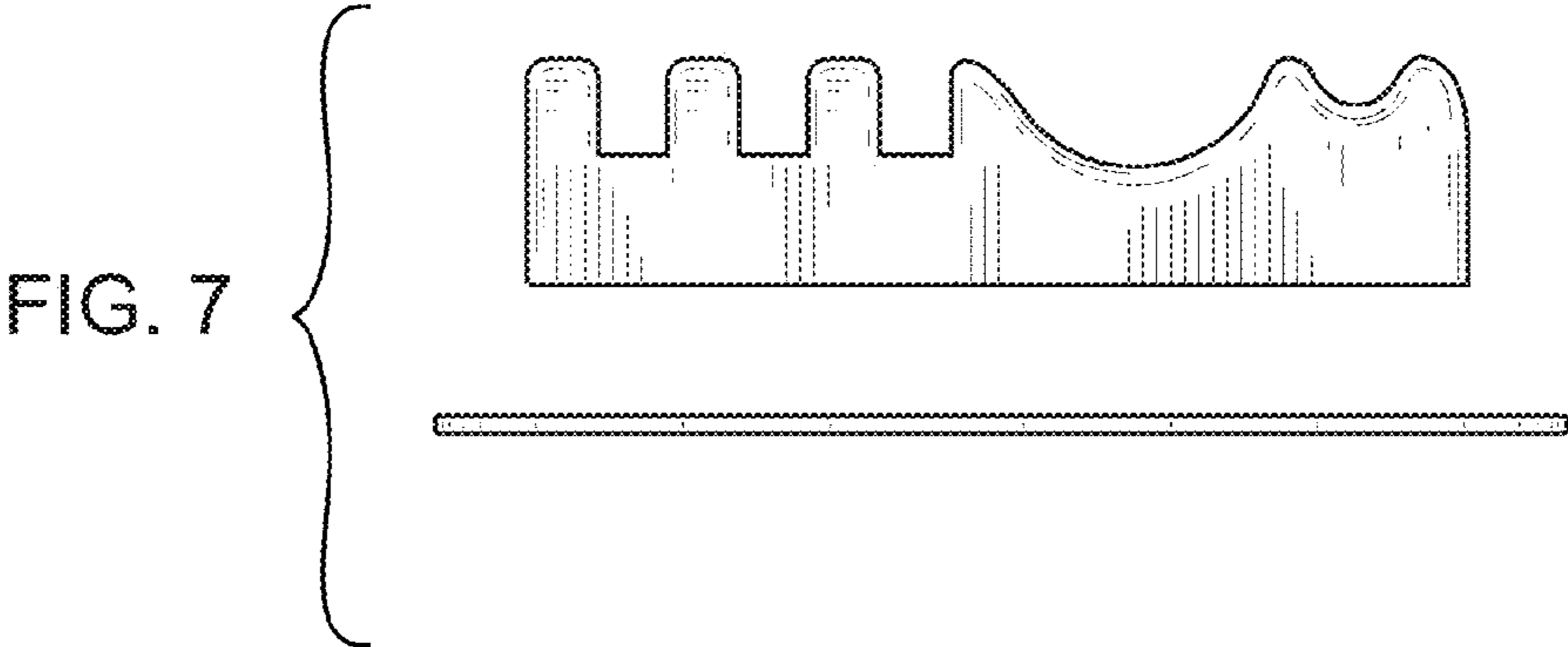


FIG. 6



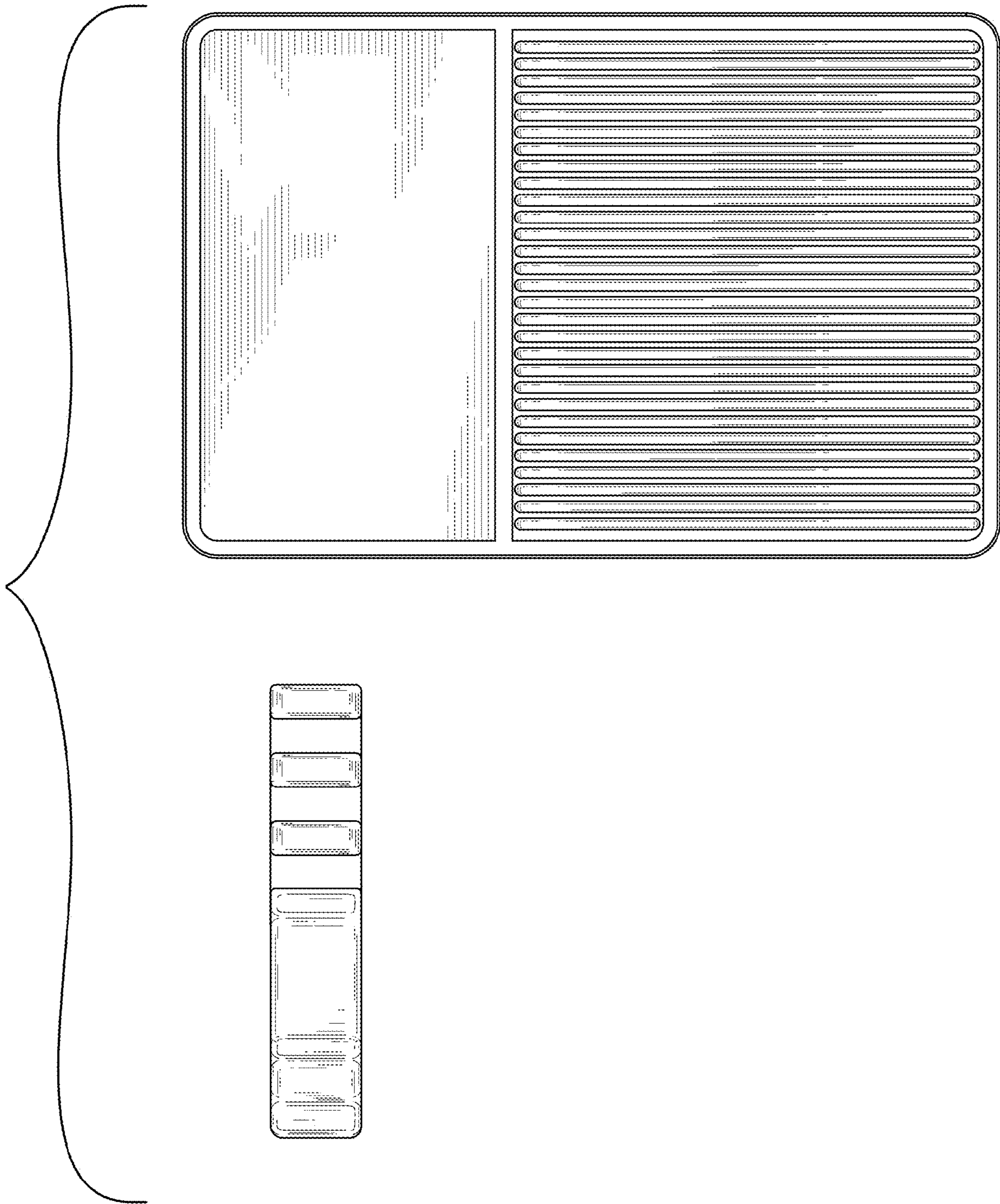


FIG. 9

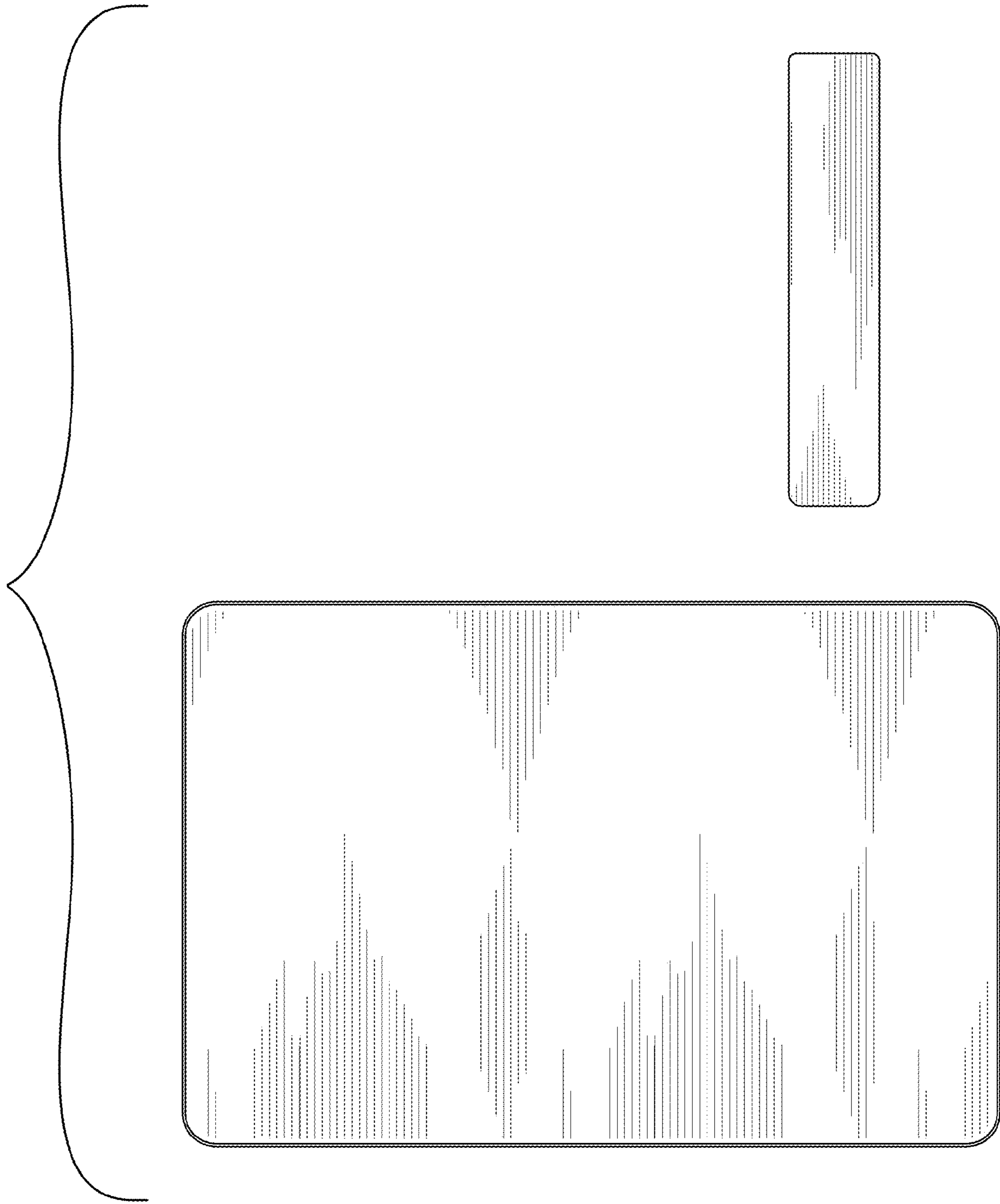


FIG. 10