



US00D886548S

(12) **United States Design Patent** (10) **Patent No.:** **US D886,548 S**  
**Evans** (45) **Date of Patent:** **\*\* Jun. 9, 2020**

(54) **UTENSIL HOLDER**  
 (71) Applicant: **Damian Evans Design Limited,**  
 Brighton (GB)  
 (72) Inventor: **Damian Evans,** Brighton (GB)  
 (73) Assignee: **DAMIAN EVANS DESIGN LIMITED** (GB)

D424,885 S \* 5/2000 Joergensen ..... D7/640  
 D486,184 S \* 2/2004 Leithaeuser ..... D19/77  
 D523,297 S \* 6/2006 Yang ..... D7/637  
 D662,785 S \* 7/2012 Kern ..... D32/55  
 D669,322 S \* 10/2012 Evans ..... D7/640  
 D765,334 S \* 8/2016 Donald ..... D32/55  
 2015/0107117 A1\* 4/2015 Bell ..... A47G 21/14  
 30/143

(\*\*) Term: **15 Years**  
 (21) Appl. No.: **29/658,879**  
 (22) Filed: **Aug. 3, 2018**

\* cited by examiner  
*Primary Examiner* — Janice Patyk  
 (74) *Attorney, Agent, or Firm* — The Belles Group, P.C.

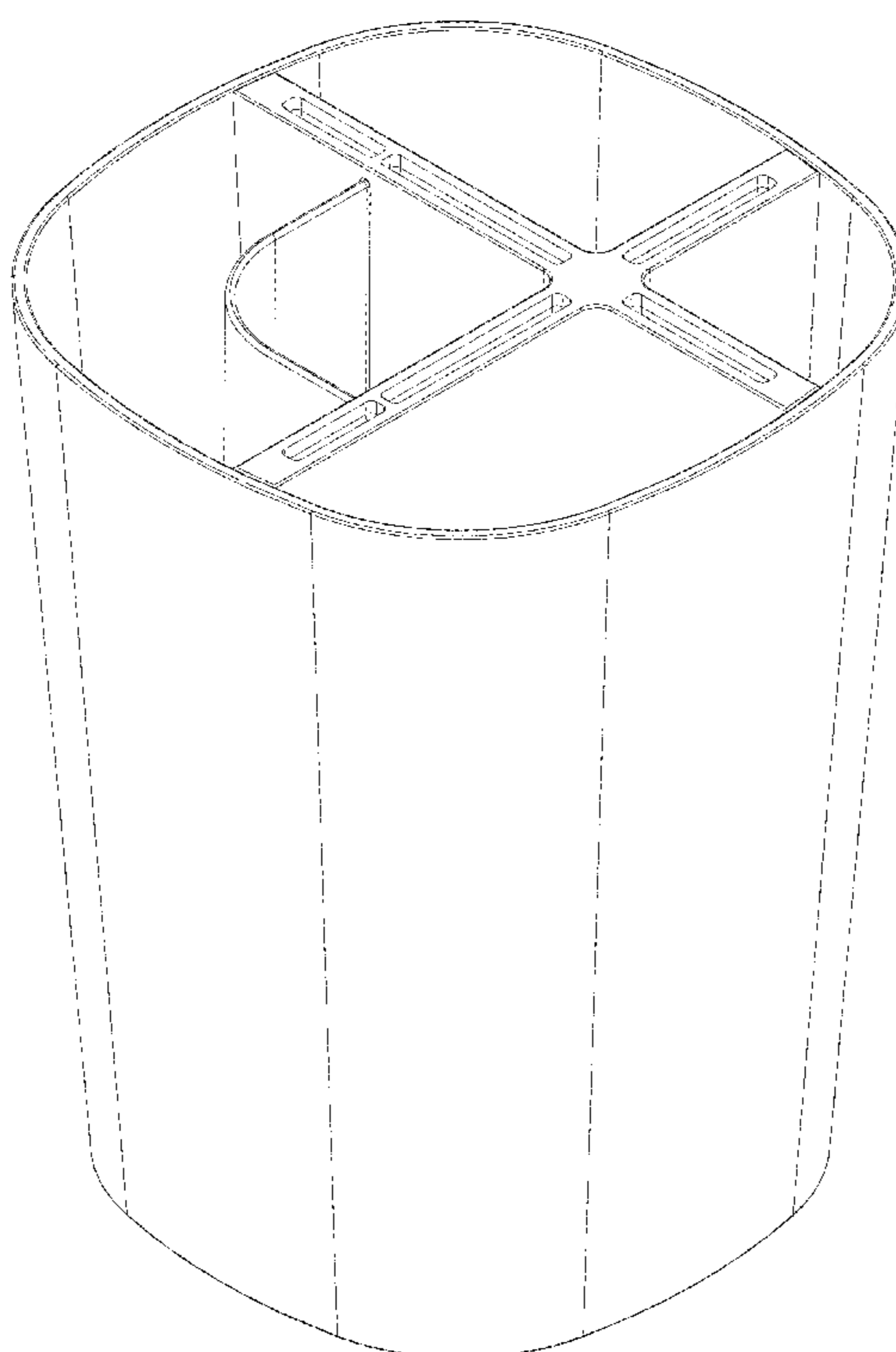
(30) **Foreign Application Priority Data**  
 Feb. 5, 2018 (EM) ..... 004694578  
 (51) **LOC (12) Cl.** ..... **07-07**  
 (52) **U.S. Cl.**  
 USPC ..... **D7/637**  
 (58) **Field of Classification Search**  
 USPC ..... D7/637-641; 30/298.4; 211/60.1, 70.6,  
 211/70.7; 248/37.3, 37.6; D3/273, 274;  
 D19/77, 81-86  
 CPC ..... A47B 88/20; A47F 7/00; A47G 21/00;  
 A47G 21/14; B26B 3/00  
 See application file for complete search history.

(57) **CLAIM**  
 The ornamental design for a utensil holder, as shown and described.

(56) **References Cited**  
 U.S. PATENT DOCUMENTS  
 D333,594 S \* 3/1993 Lin ..... D7/638  
 D334,265 S \* 3/1993 Giugiaro ..... D32/55

**DESCRIPTION**  
 FIG. 1 is a top front perspective view of a utensil holder in accordance with the new design;  
 FIG. 2 is a top right-side perspective view thereof;  
 FIG. 3 is a bottom rear perspective view thereof;  
 FIG. 4 is a front elevation view thereof, the rear elevation view being the same;  
 FIG. 5 is a right-side elevation view thereof, the left-side elevation view being the same;  
 FIG. 6 is a top plan view thereof;  
 FIG. 7 is a bottom plan view thereof;  
 FIG. 8 is an exploded top front perspective view thereof; and,  
 FIG. 9 is an exploded top right-side perspective view thereof.  
 The broken lines in the figures illustrate portions of the utensil holder that form no part of the claimed design.

**1 Claim, 9 Drawing Sheets**



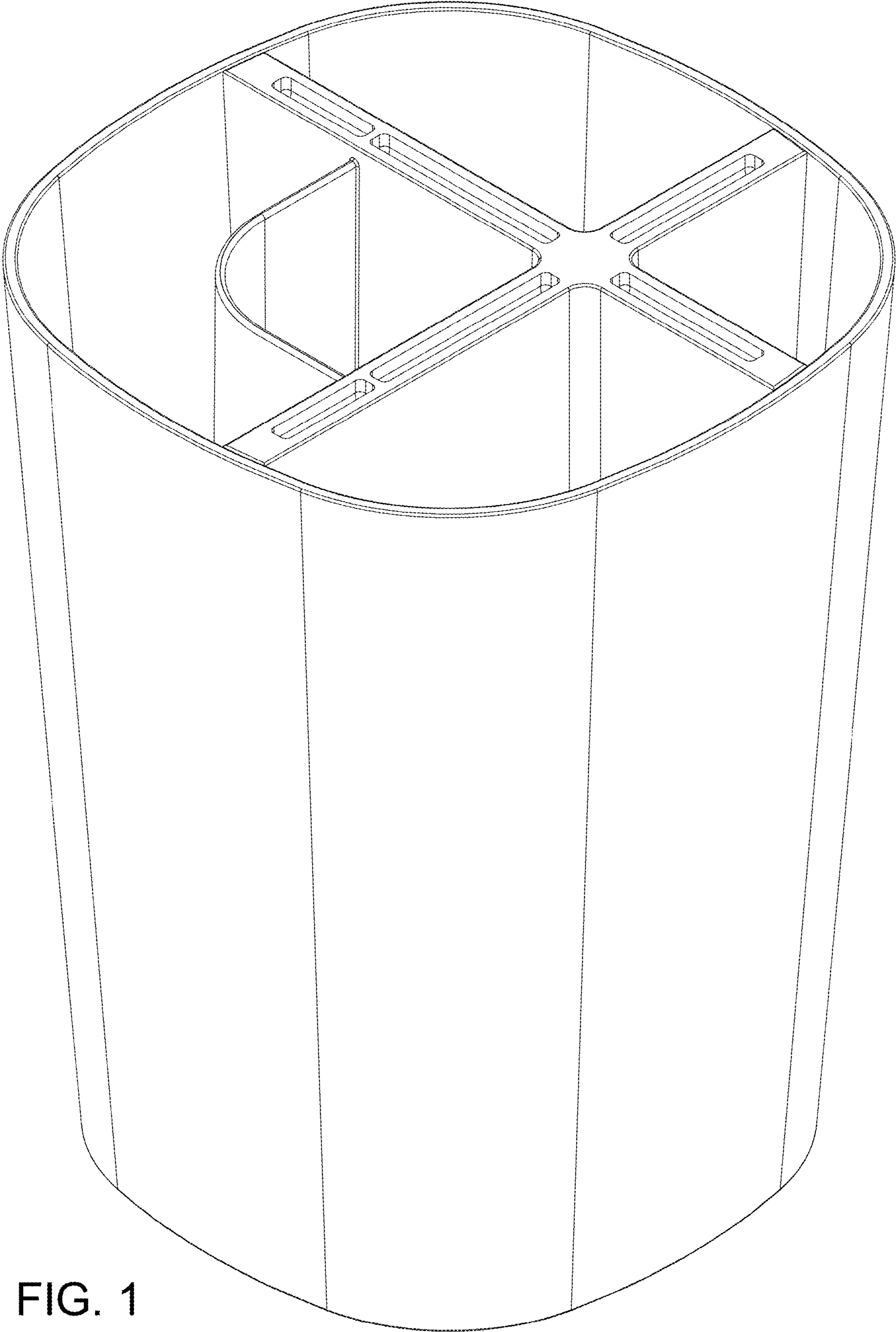


FIG. 1

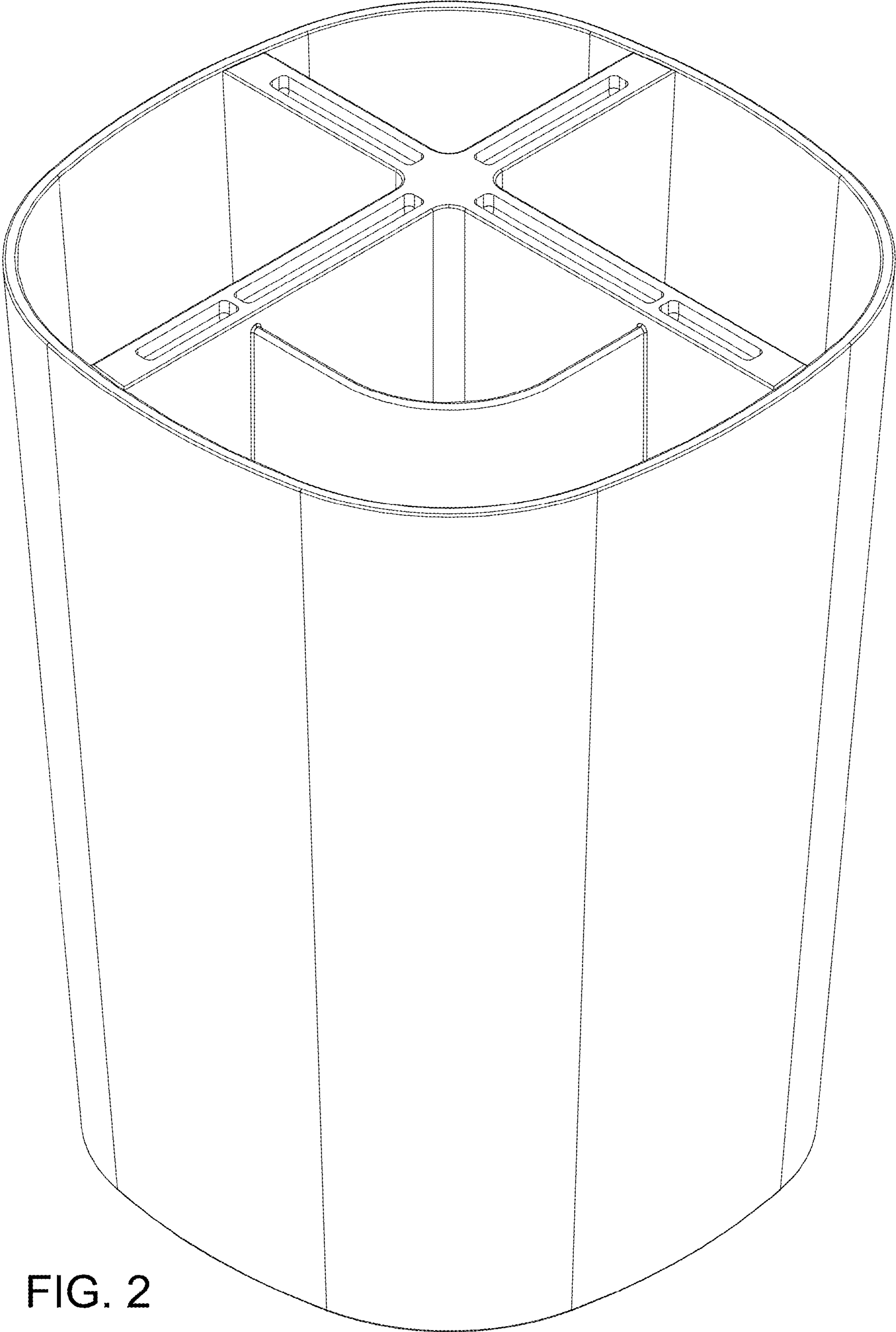


FIG. 2

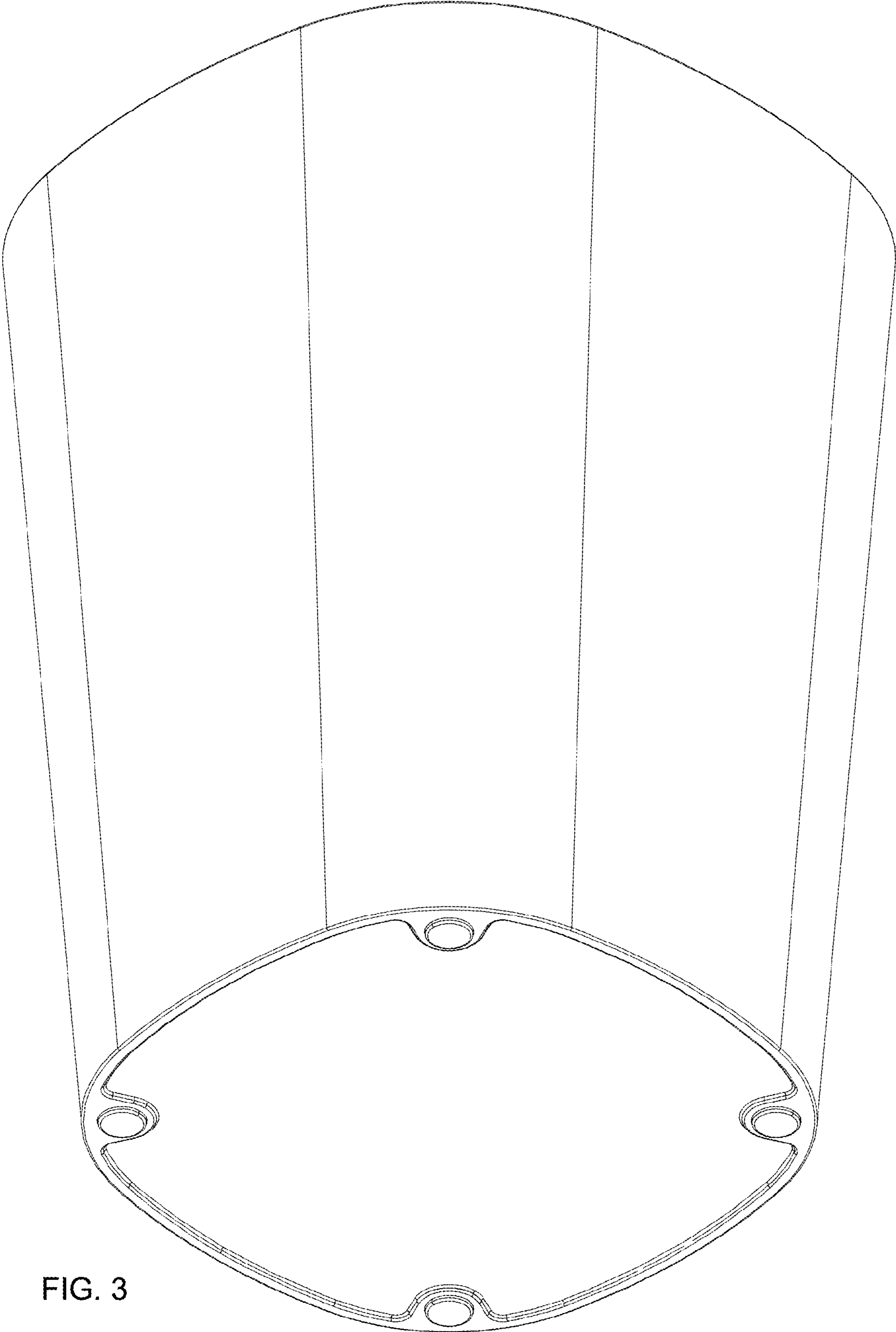


FIG. 3

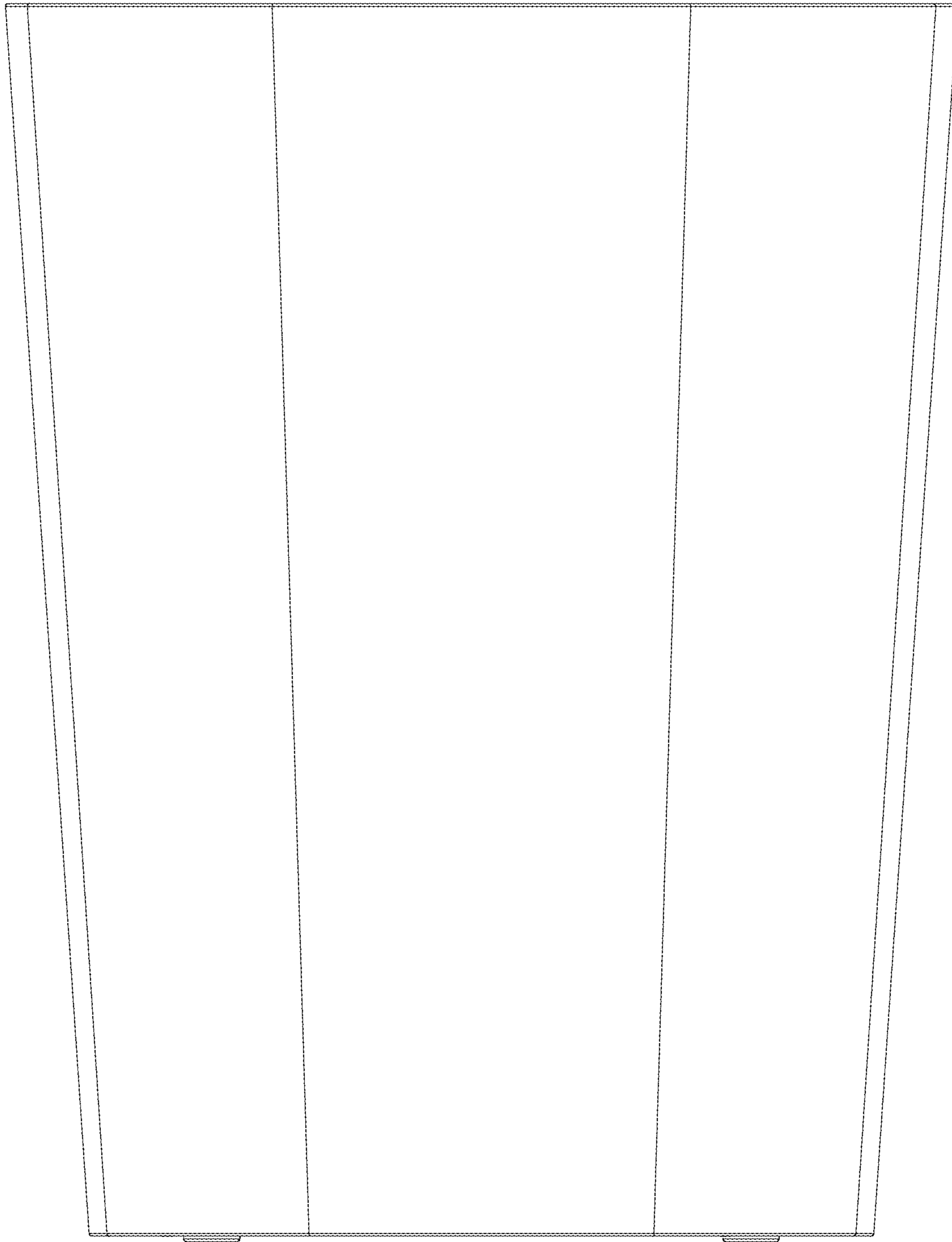


FIG. 4

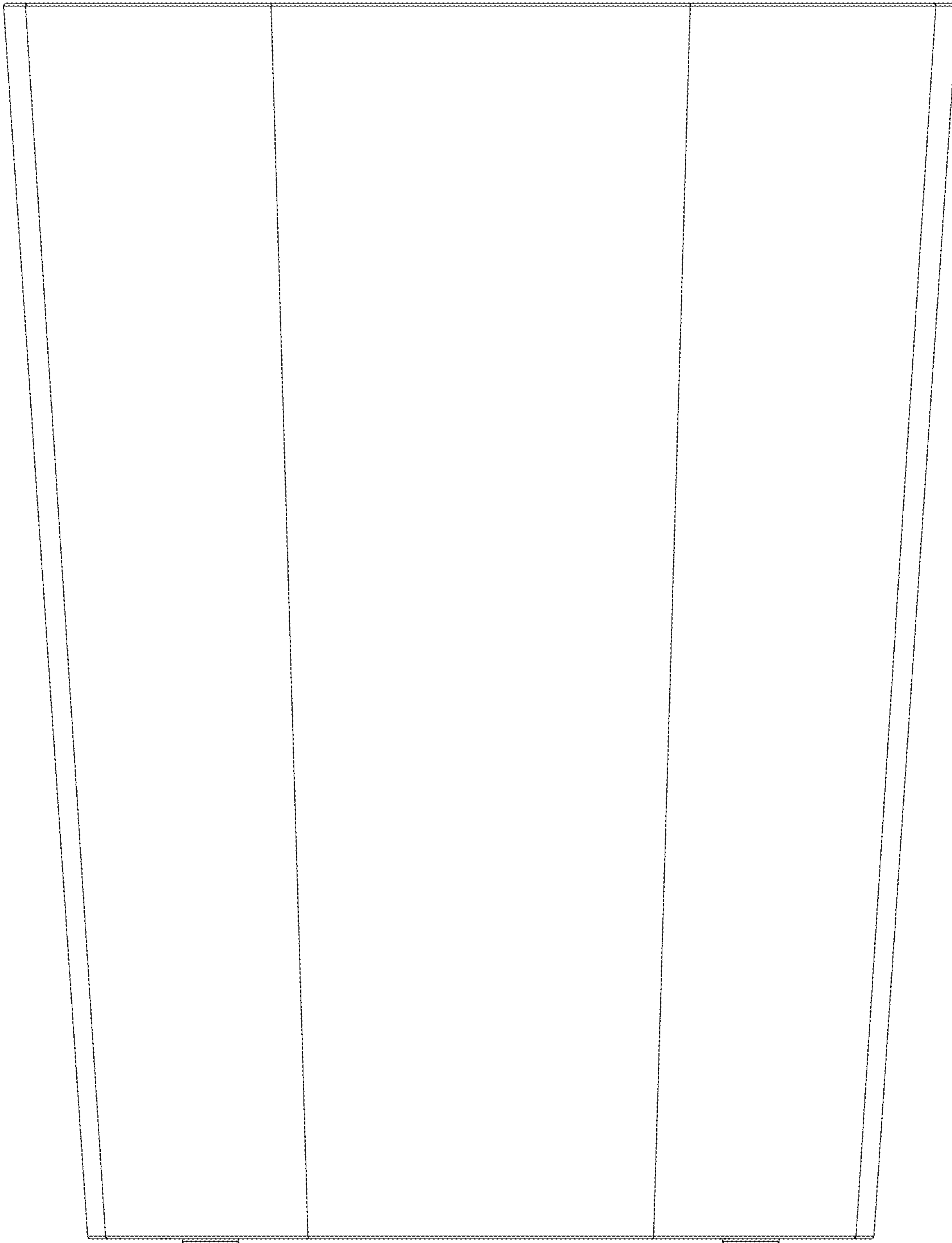


FIG. 5

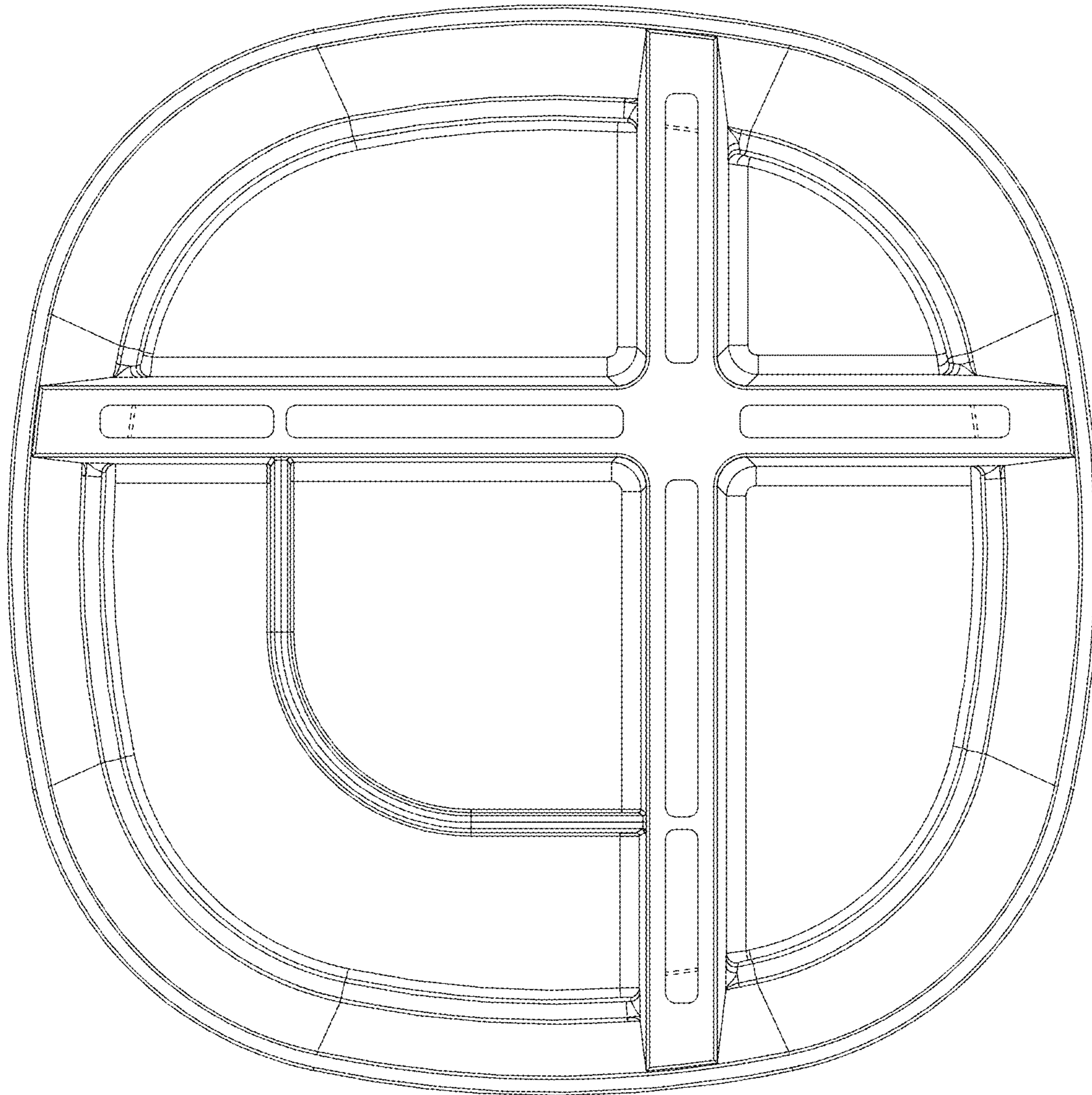


FIG. 6

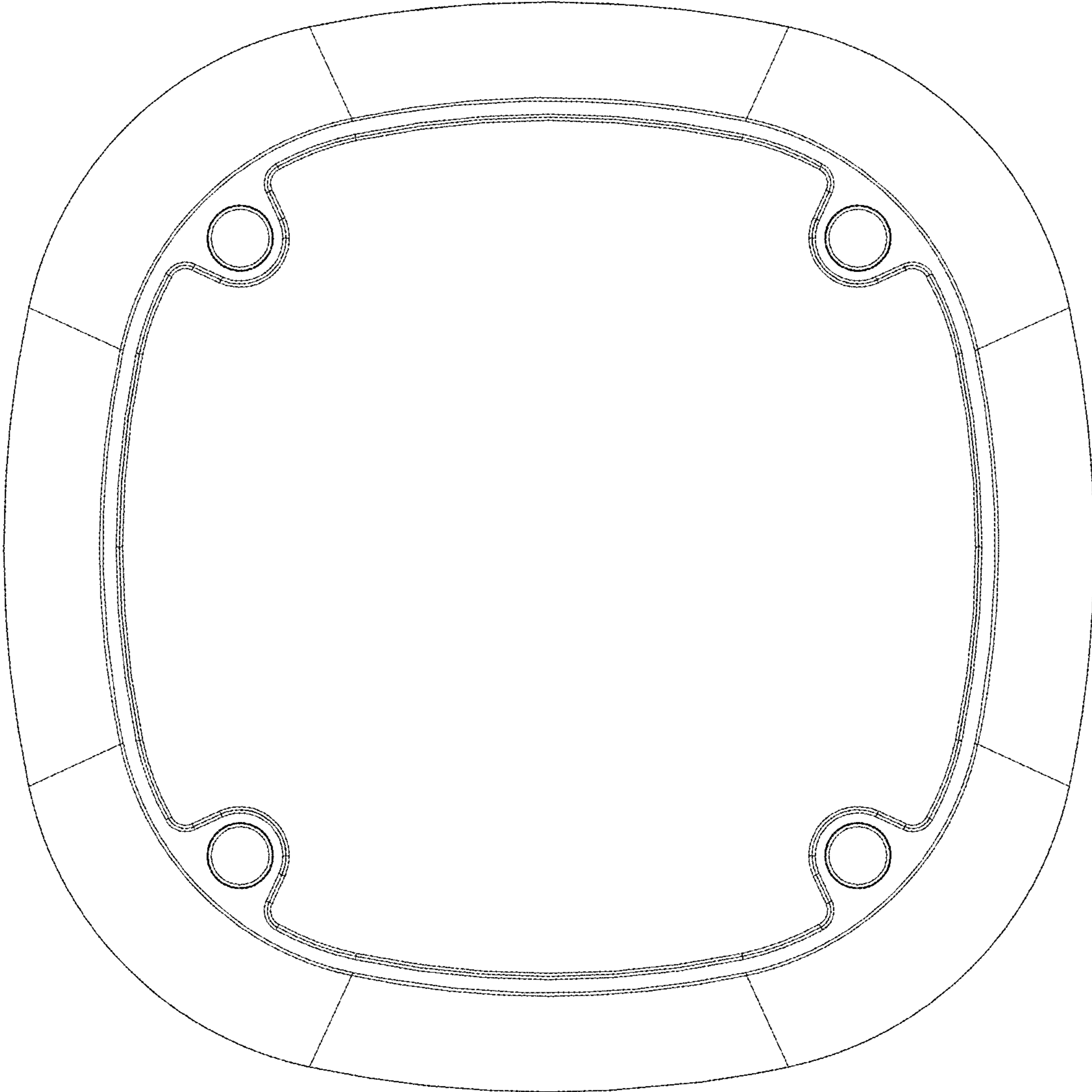


FIG. 7



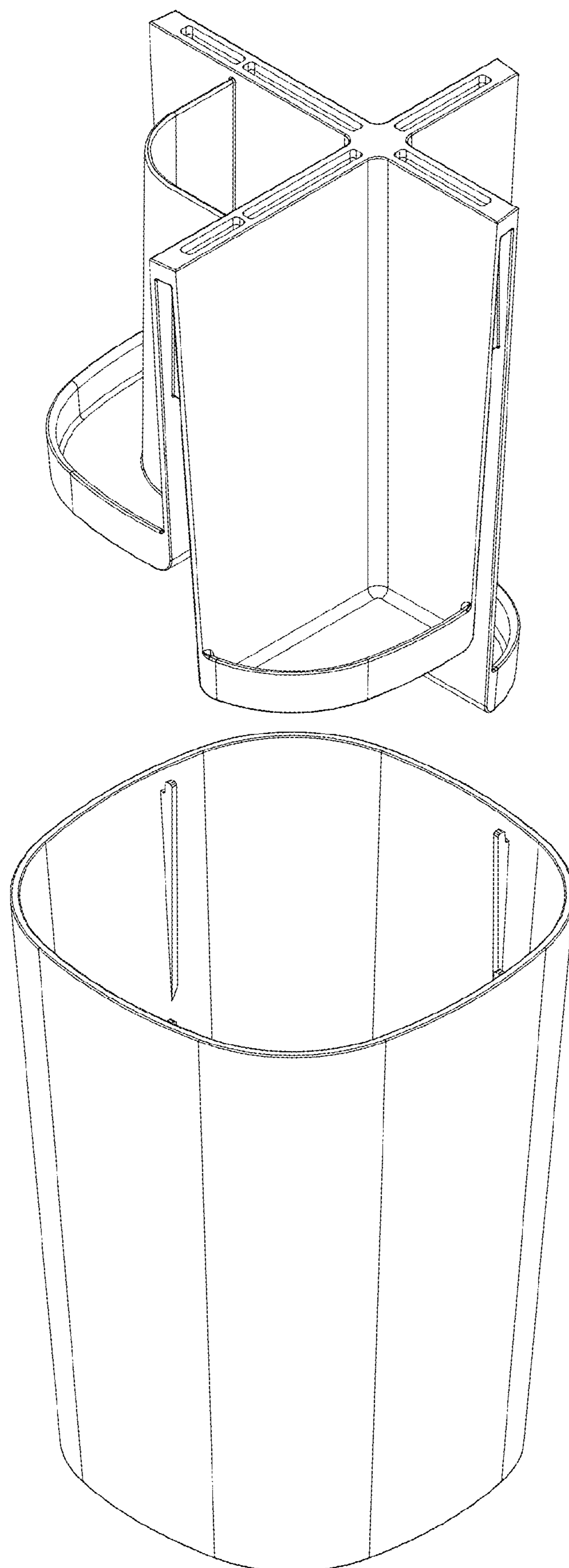


FIG. 8

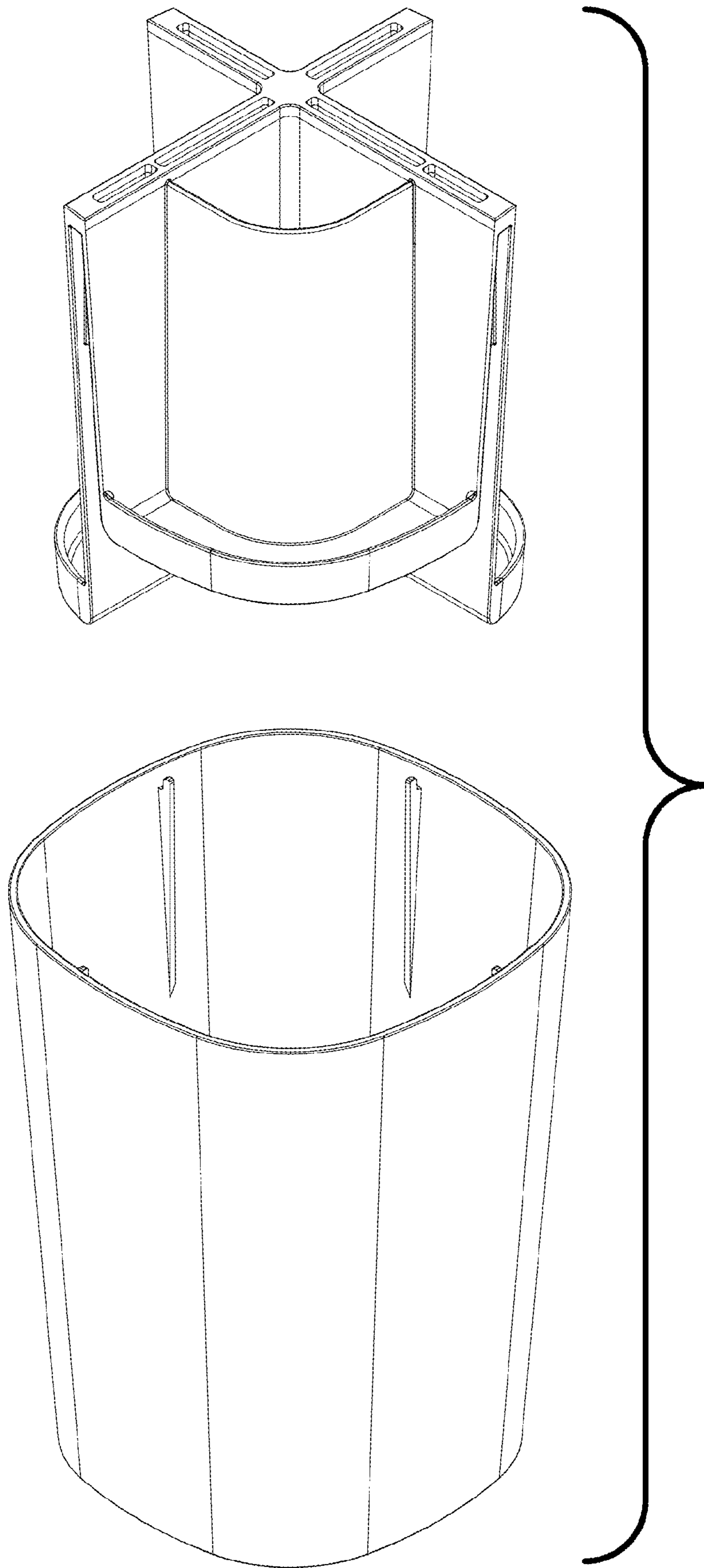


FIG. 9