



US00D886547S

(12) **United States Design Patent**  
**Monk**

(10) **Patent No.:** **US D886,547 S**

(45) **Date of Patent:** **\*\* Jun. 9, 2020**

(54) **UTENSIL REST**

(71) Applicant: **Kitchinventions, LLC**, Jupiter, FL  
(US)

(72) Inventor: **Derek Monk**, Jupiter, FL (US)

(73) Assignee: **Kitchinventions, LLC**, Jupiter, FL  
(US)

(\*\*) Term: **15 Years**

(21) Appl. No.: **29/646,129**

(22) Filed: **May 2, 2018**

(51) **LOC (12) Cl.** ..... **07-07**

(52) **U.S. Cl.**  
USPC ..... **D7/637**

(58) **Field of Classification Search**  
USPC ..... D7/637-641; 30/298.4; 211/60.1, 70.6,  
211/70.7; 248/37.3, 37.6; D3/273, 274;  
D19/77, 81-86  
CPC ..... A47B 88/20; A47F 7/00; A47G 21/00;  
A47G 21/14; B26B 3/00  
See application file for complete search history.

(56) **References Cited**

**U.S. PATENT DOCUMENTS**

D448,977 S \* 10/2001 Bleimaier ..... D7/505  
D465,974 S \* 11/2002 Dorion ..... D7/637

D497,292 S \* 10/2004 Snell ..... D7/637  
D524,109 S \* 7/2006 Haataja ..... D7/584  
D532,657 S \* 11/2006 Del Rosario ..... D7/637  
D637,047 S \* 5/2011 Goodman ..... D7/637  
D665,232 S \* 8/2012 O'Connell ..... D7/637  
D668,508 S \* 10/2012 Zox ..... D7/552.1

\* cited by examiner

*Primary Examiner* — Janice Patyk

(74) *Attorney, Agent, or Firm* — Berger Singerman LLP;  
Geoffrey Lottenberg

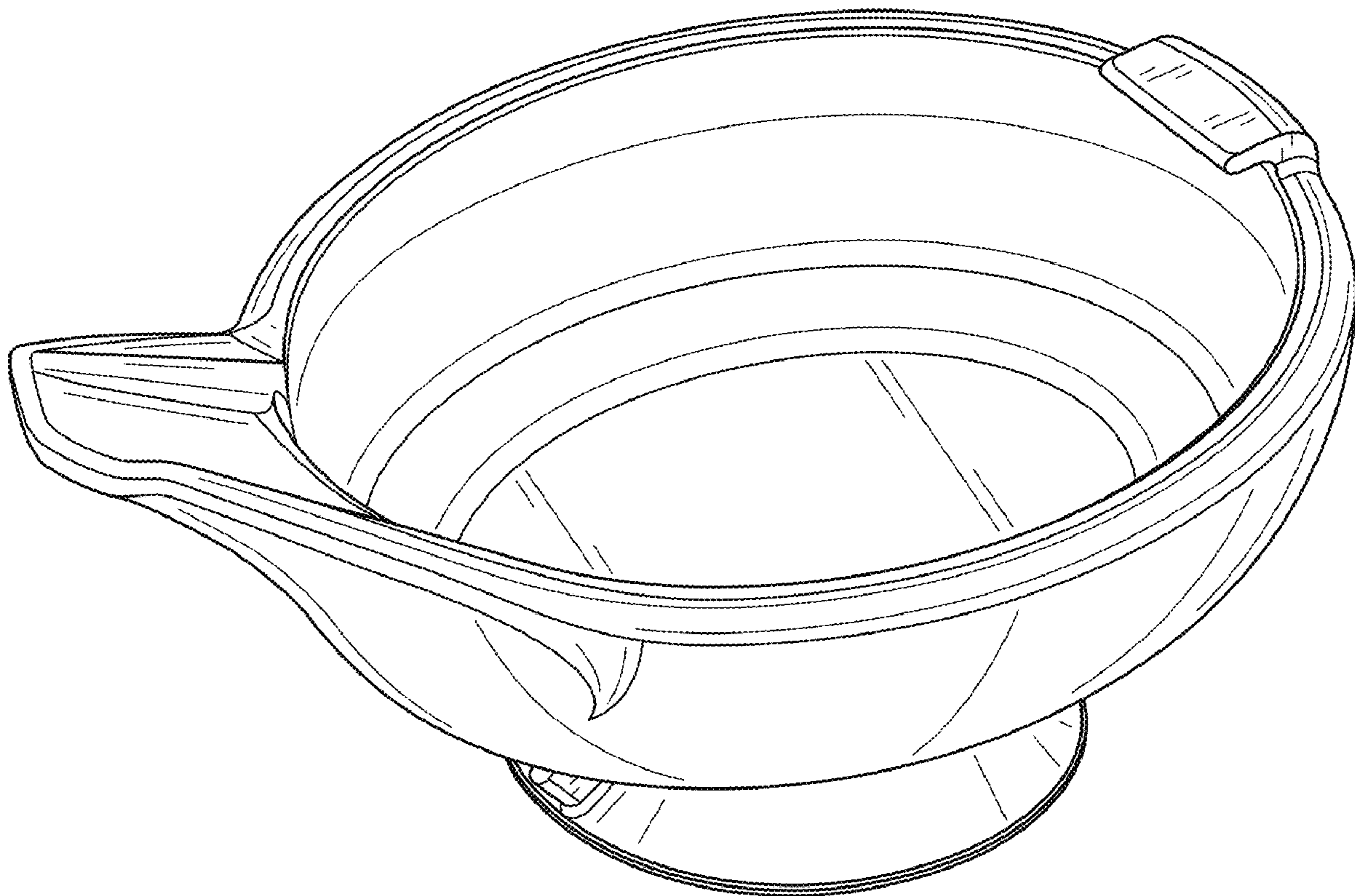
(57) **CLAIM**

The ornamental design for a utensil rest, as shown and described.

**DESCRIPTION**

FIG. 1 is a perspective view of a utensil rest, showing my new design;  
FIG. 2 is a front elevation view of the utensil rest;  
FIG. 3 is a rear elevation view of the utensil rest;  
FIG. 4 is a left side elevation view of the utensil rest;  
FIG. 5 is a right side elevation view of the utensil rest;  
FIG. 6 is a top plan view of the utensil rest; and,  
FIG. 7 is a bottom plan view of the utensil rest.  
The broken lines in the figures illustrate the portions of the design that form no part of the claimed design.

**1 Claim, 7 Drawing Sheets**



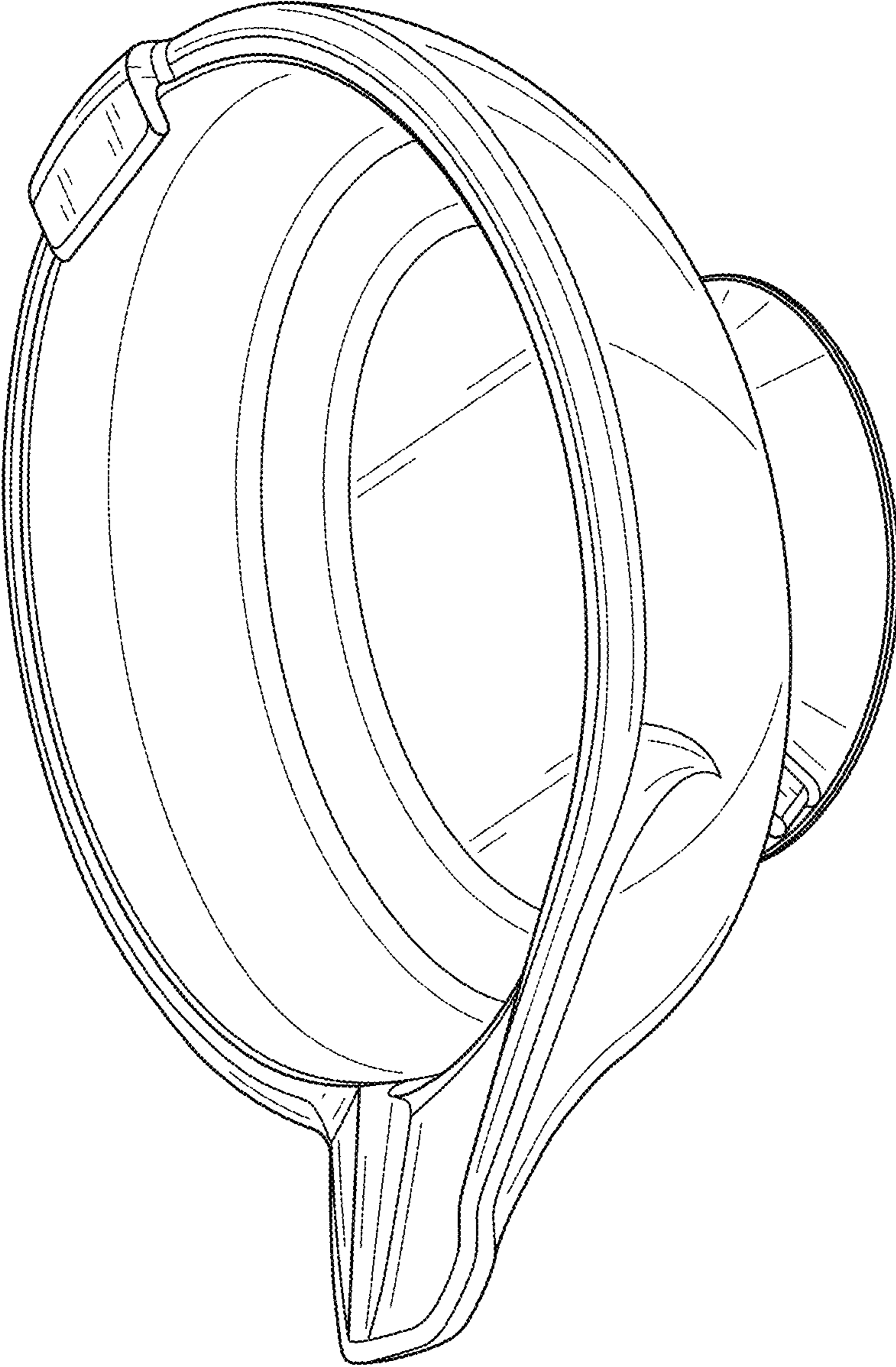


FIG. 1

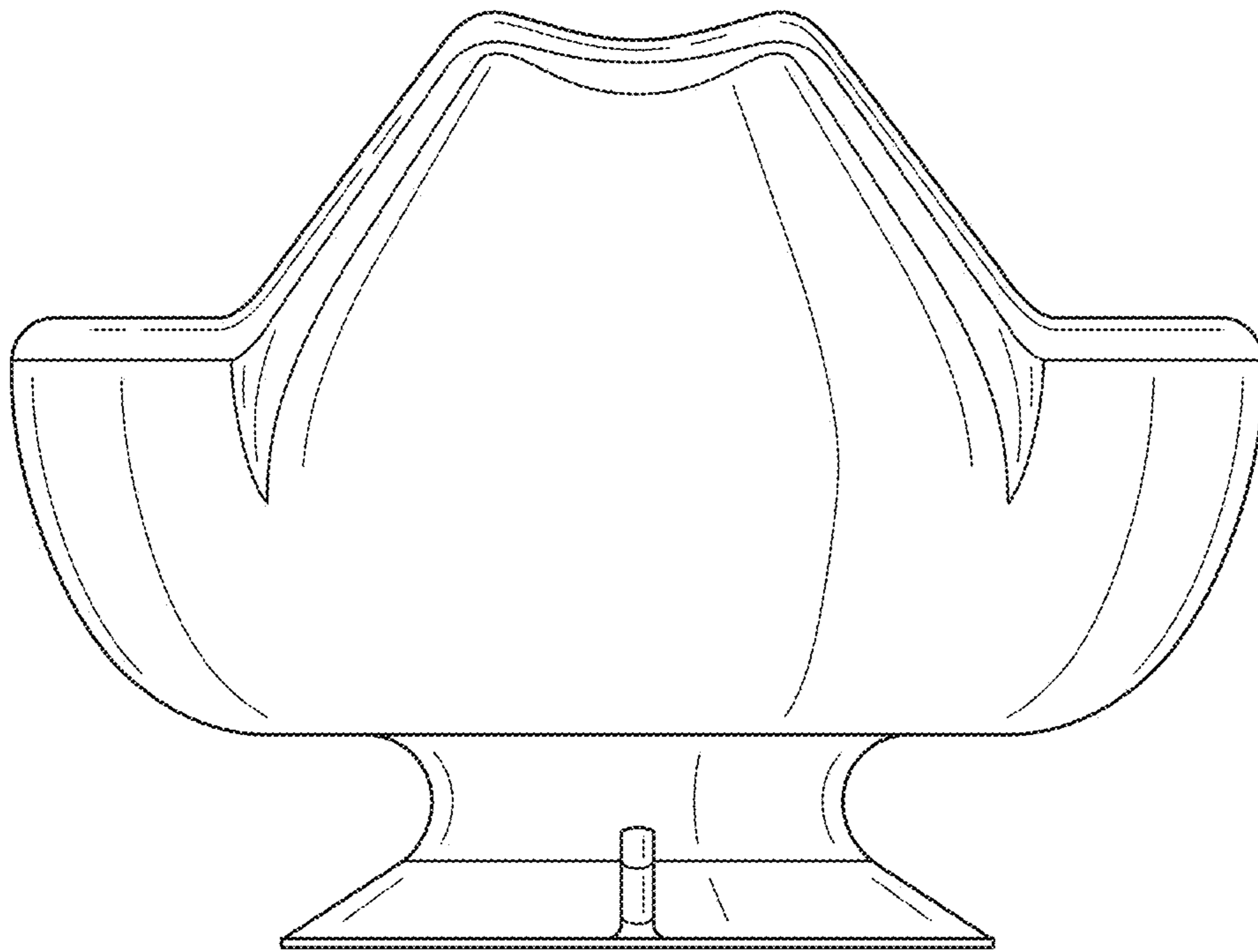


FIG. 2

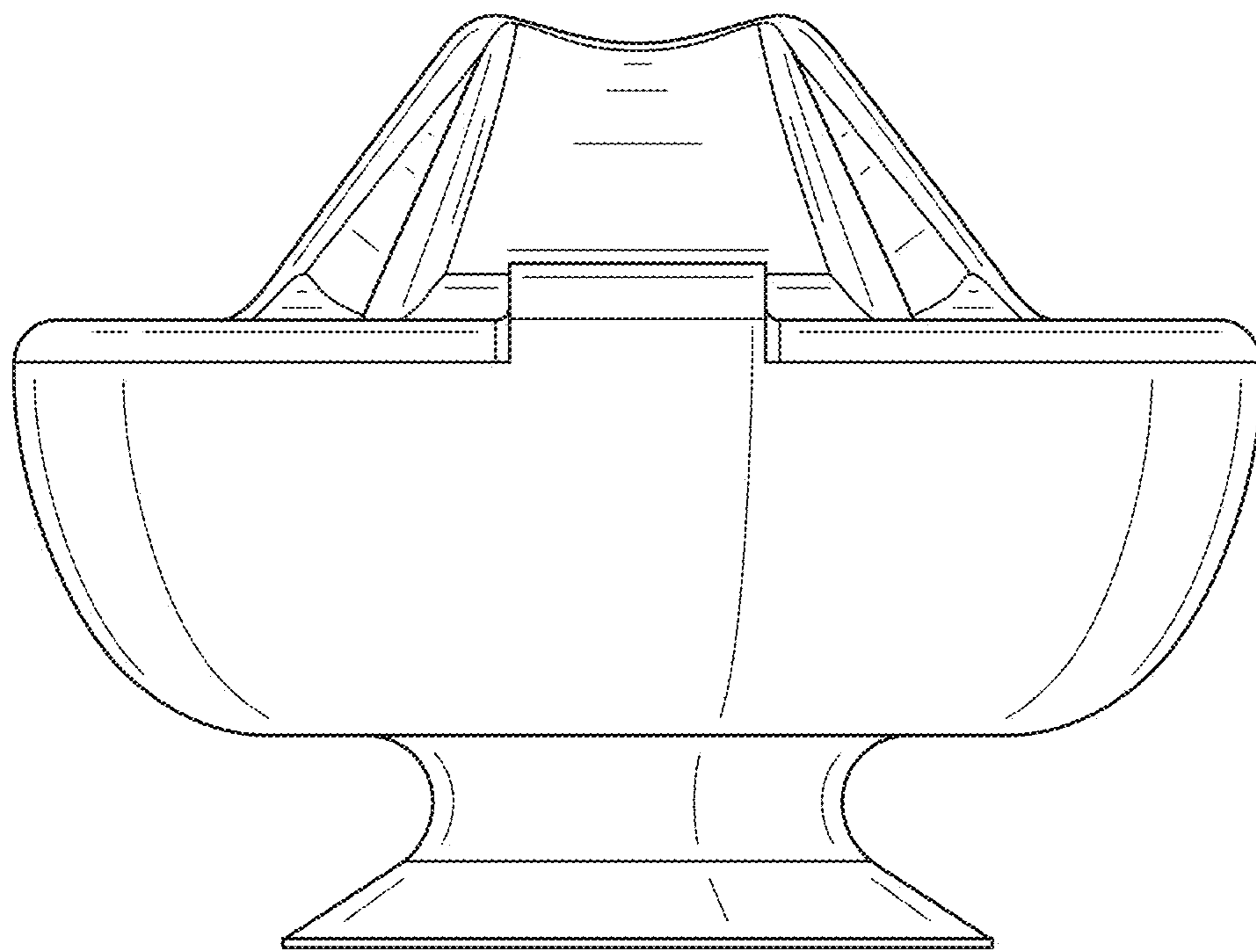


FIG. 3

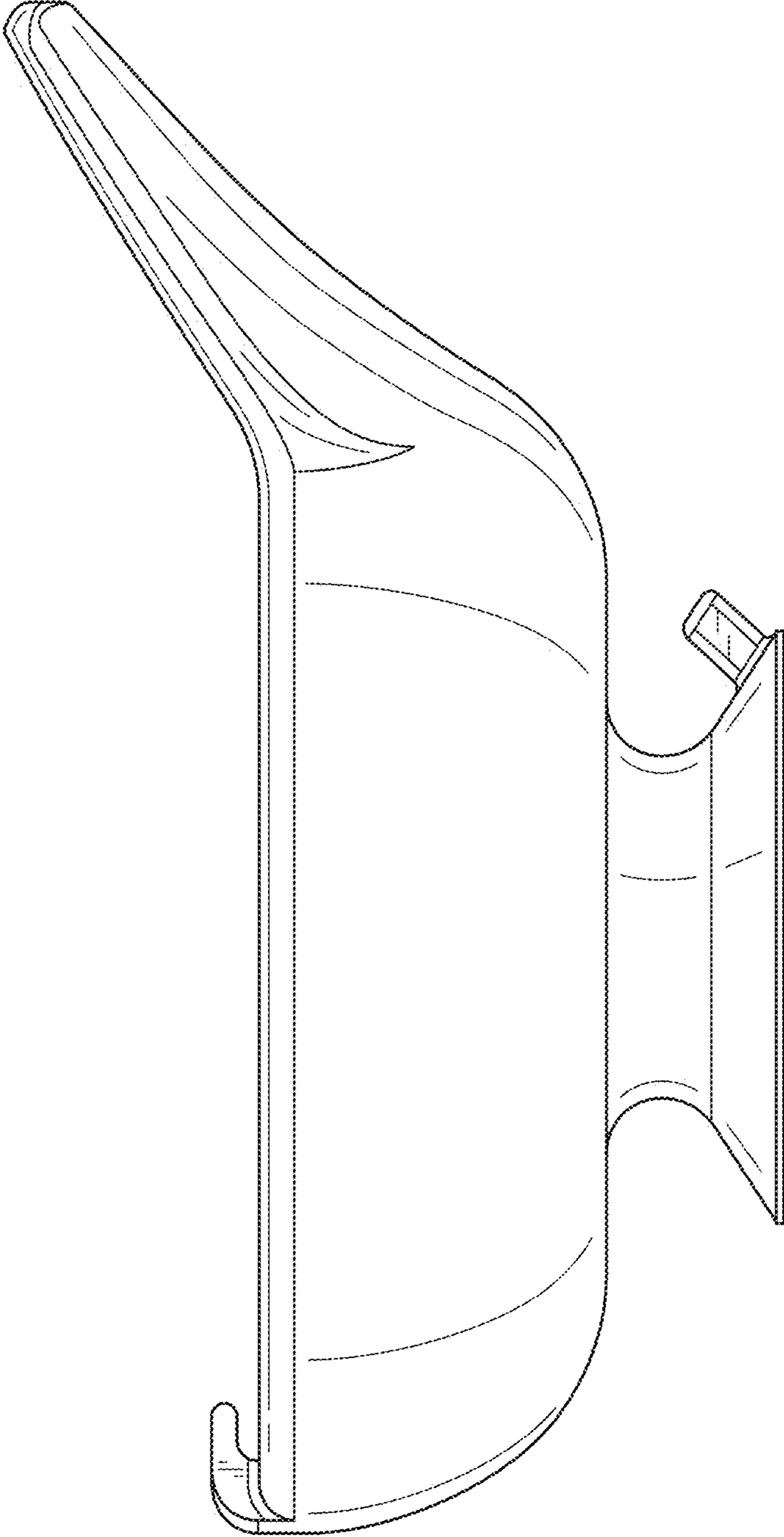


FIG. 4

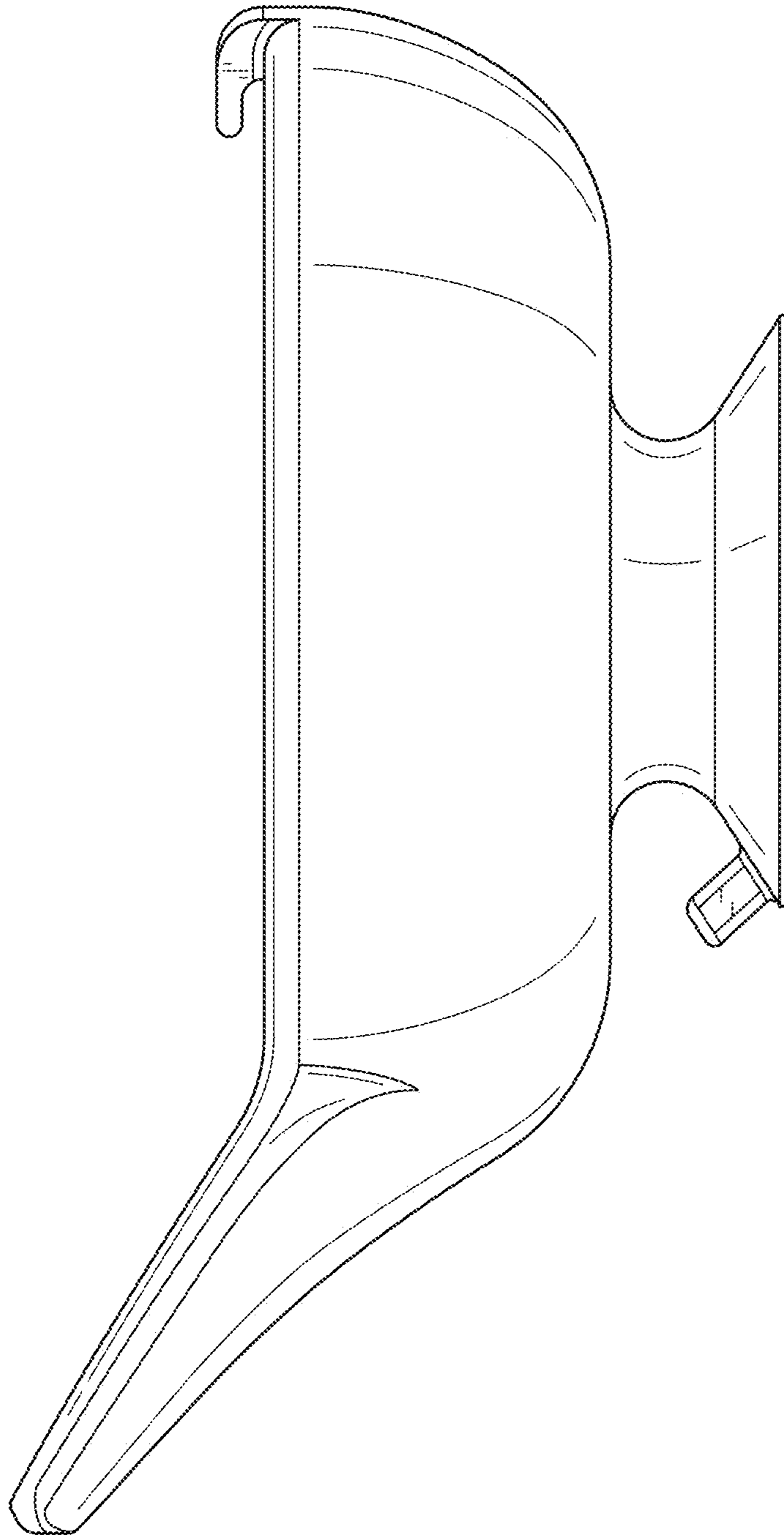


FIG. 5

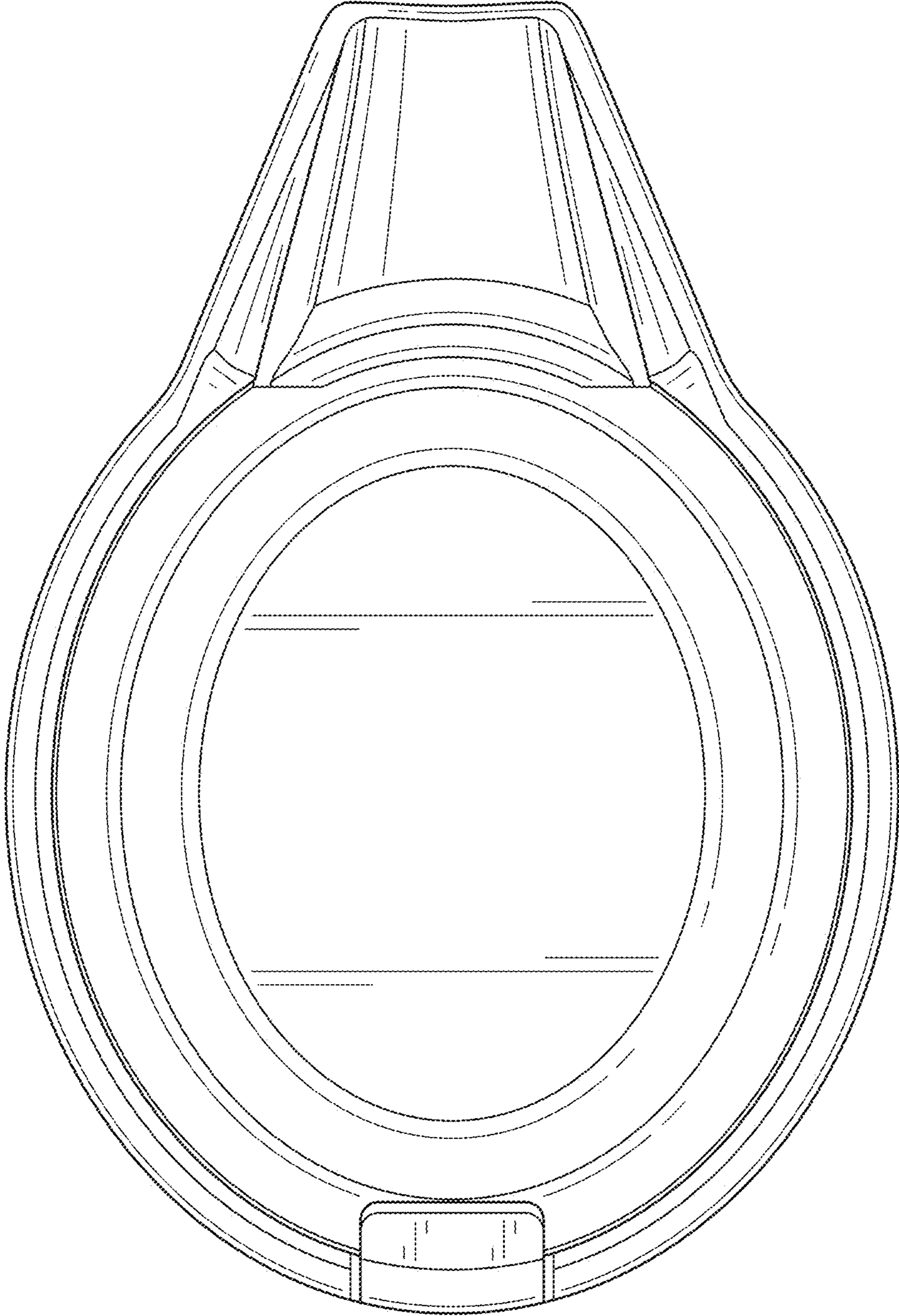


FIG. 6

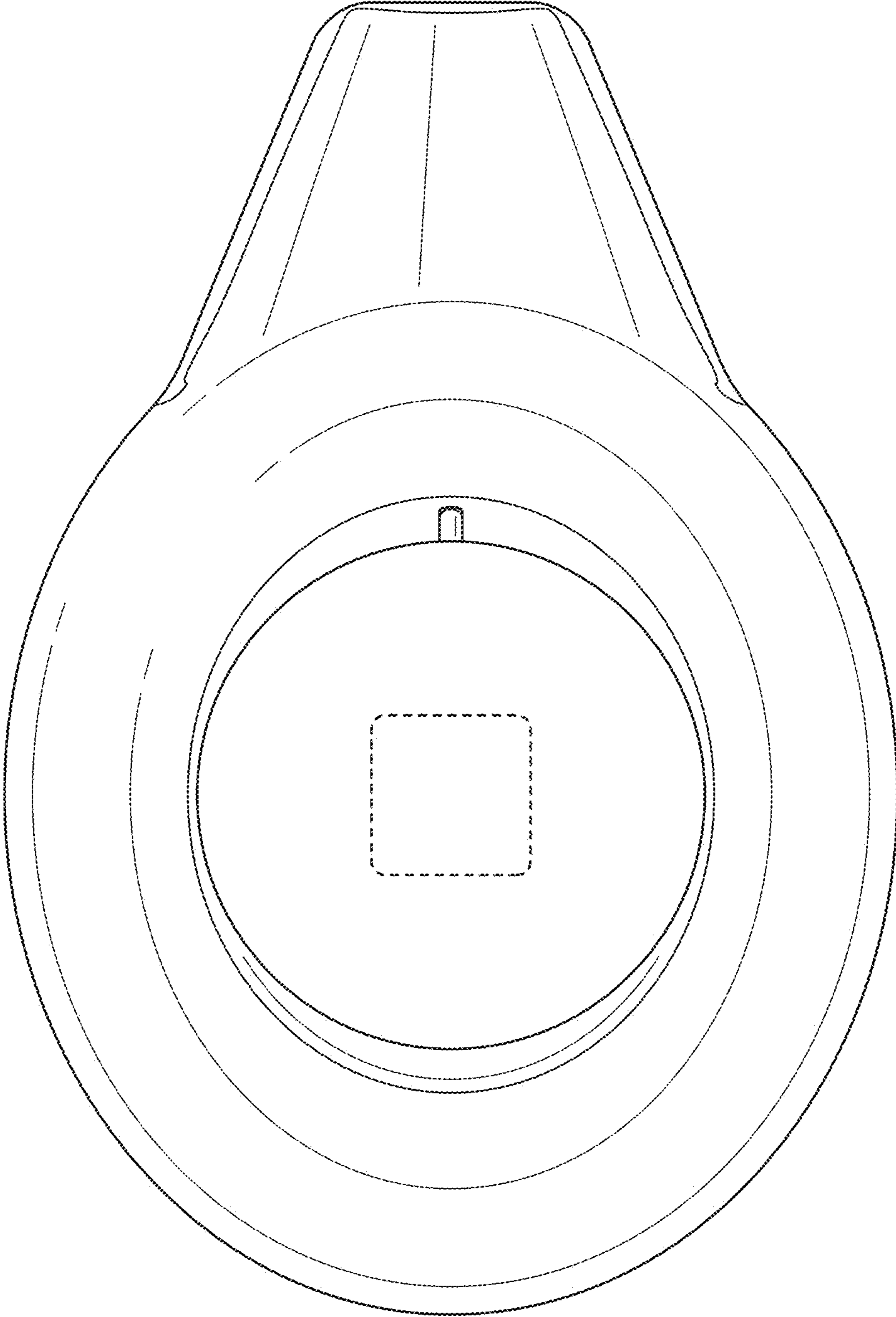


FIG. 7