



US00D886542S

(12) **United States Design Patent**
deBretton Gordon

(10) **Patent No.:** **US D886,542 S**
(45) **Date of Patent:** **** Jun. 9, 2020**

- (54) **KNIFE BLOCK**
- (71) Applicant: **ROBERT WELCH DESIGNS LTD.**,
Gloucestershire (GB)
- (72) Inventor: **Iain Paul deBretton Gordon**,
Warwickshire (GB)
- (73) Assignee: **Robert Welch Designs Ltd.**,
Gloucestershire (GB)
- (**) Term: **15 Years**
- (21) Appl. No.: **29/624,339**
- (22) Filed: **Oct. 31, 2017**

D402,163 S *	12/1998	Ancona	D7/638
D405,656 S *	2/1999	Davis	D7/637
D414,086 S *	9/1999	Ancona	D7/637
D421,879 S *	3/2000	Miller	D7/637
D478,787 S *	8/2003	Logiudice	D7/637
6,619,487 B2 *	9/2003	Stuchlik, III	A47G 21/14 211/70.7
D572,982 S	7/2008	deBretton Gordon	
D591,566 S *	5/2009	Yamada	D7/637
7,637,803 B2	12/2009	Welch	
D625,152 S *	10/2010	De Buyer	D7/637
D657,634 S	4/2012	deBretton Gordon	
D657,635 S	4/2012	deBretton Gordon	
8,721,403 B2	5/2014	Welch	
D712,706 S	9/2014	deBretton Gordon	
D760,551 S *	7/2016	Laamanen	D7/637
D779,893 S	2/2017	deBretton Gordon et al.	

* cited by examiner

(30) **Foreign Application Priority Data**

Jun. 6, 2017	(EM)	004034510-0001
Jun. 6, 2017	(EM)	004034510-0002
Jun. 6, 2017	(EM)	004034510-0003
Jun. 6, 2017	(EM)	004034510-0004
Jun. 7, 2017	(EM)	004036507-0001
Jun. 7, 2017	(EM)	004036507-0002

Primary Examiner — Janice Patyk

(74) *Attorney, Agent, or Firm* — MacMillan, Sobanski & Todd, LLC

- (51) **LOC (12) Cl.** **07-99**
- (52) **U.S. Cl.**
USPC **D7/637**

(57) **CLAIM**

The ornamental design for a knife block, as shown and described.

- (58) **Field of Classification Search**
USPC D7/637-638; 30/298.4, 296.1; 206/372,
206/373, 553; 211/70.7; 248/37.3, 111
CPC A47B 88/20; A47F 7/00; A47G 21/00;
A47G 21/14; B26B 3/00
See application file for complete search history.

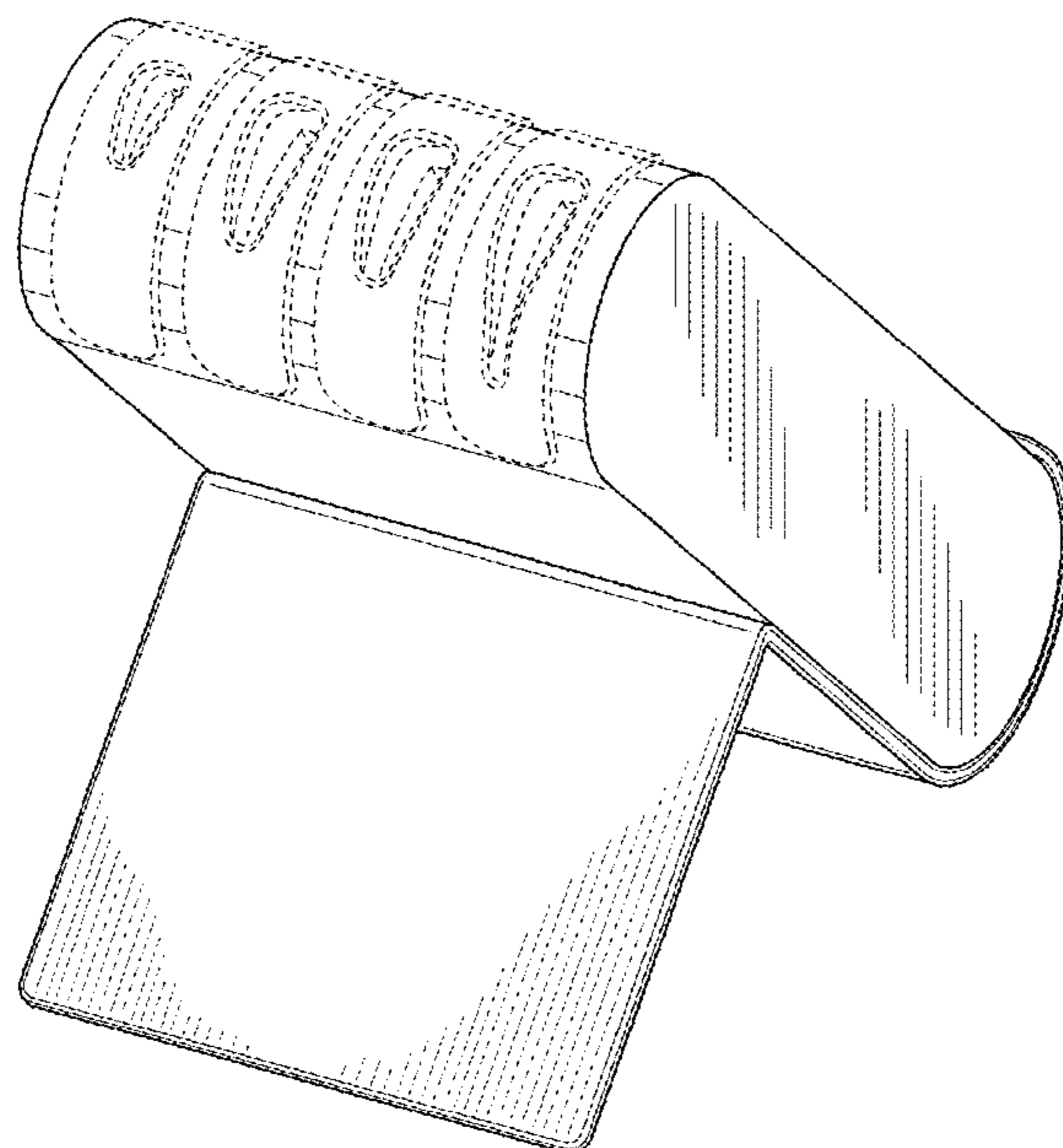
DESCRIPTION

FIG. 1 is a perspective view of a knife block showing my new design.
 FIG. 2 is a front view thereof.
 FIG. 3 is a rear view thereof.
 FIG. 4 is a left side view thereof, the right side view being a mirror image thereof.
 FIG. 5 is top view thereof; and,
 FIG. 6 is a bottom view thereof.
 The broken lines in the figures illustrate the portions of the design that forms no part of the claimed design.

(56) **References Cited**
U.S. PATENT DOCUMENTS

D338,376 S *	8/1993	Ulber	D7/637
5,245,756 A *	9/1993	Howell	B24D 15/084 30/151

1 Claim, 6 Drawing Sheets



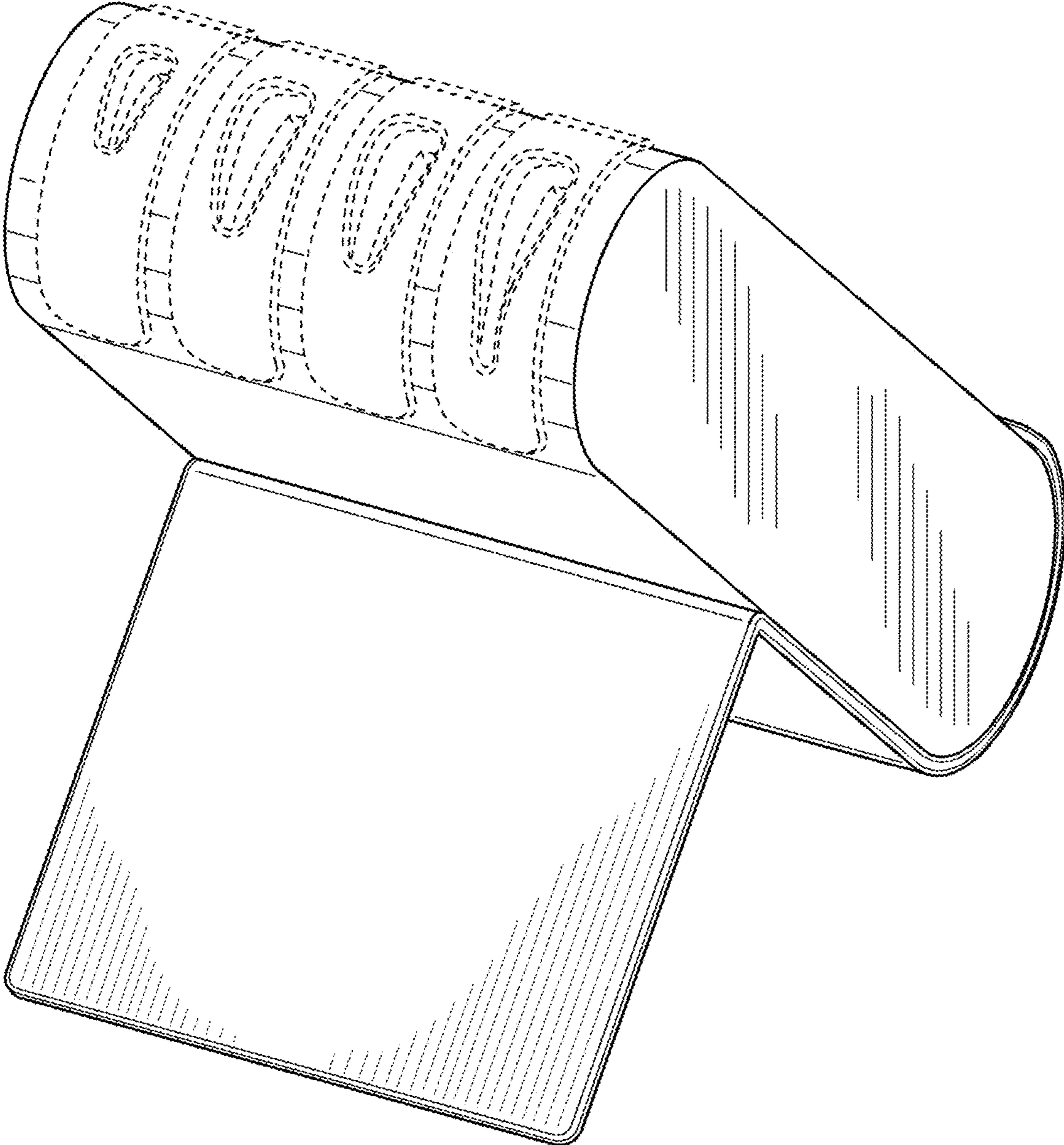


FIG. 1

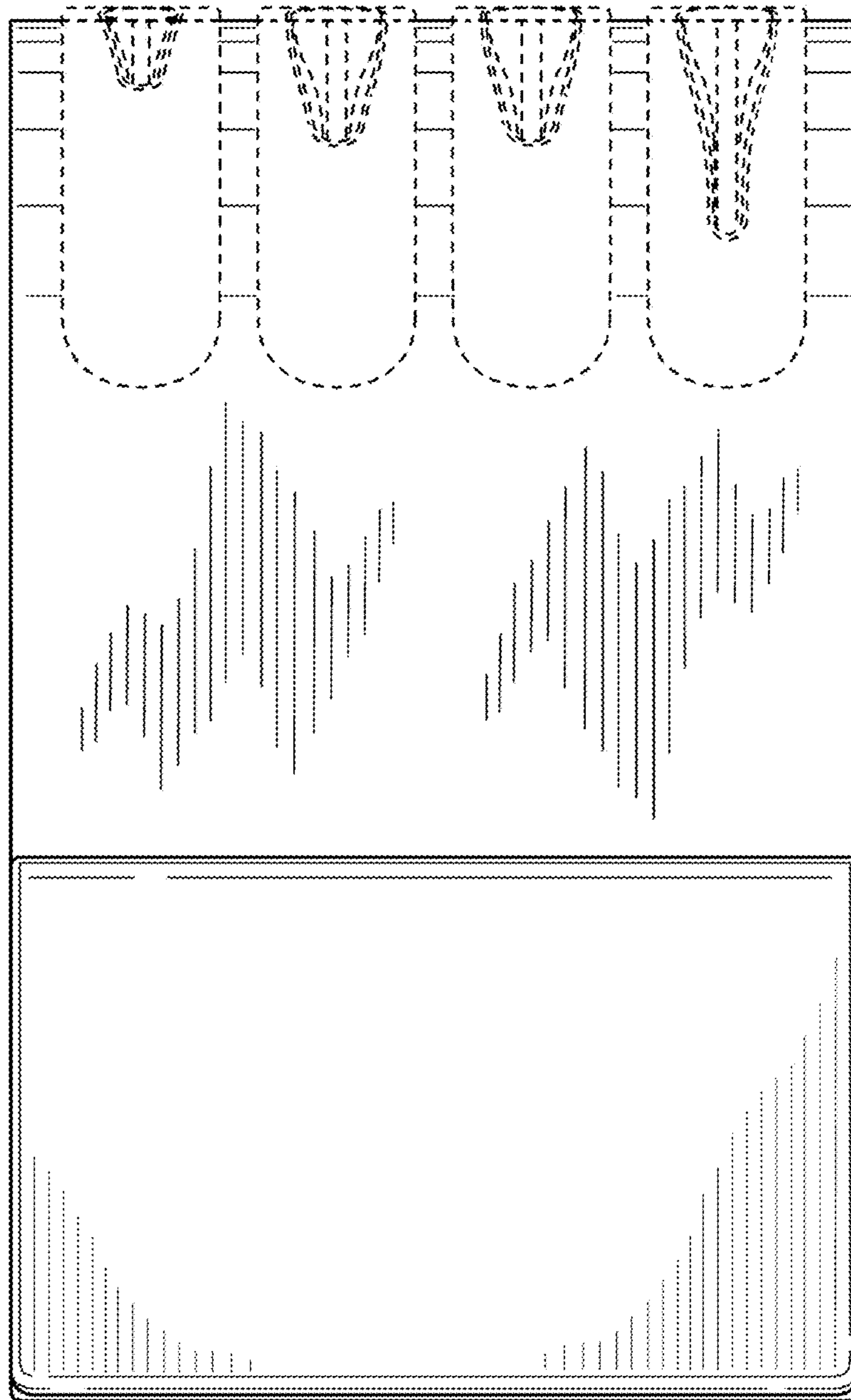


FIG. 2

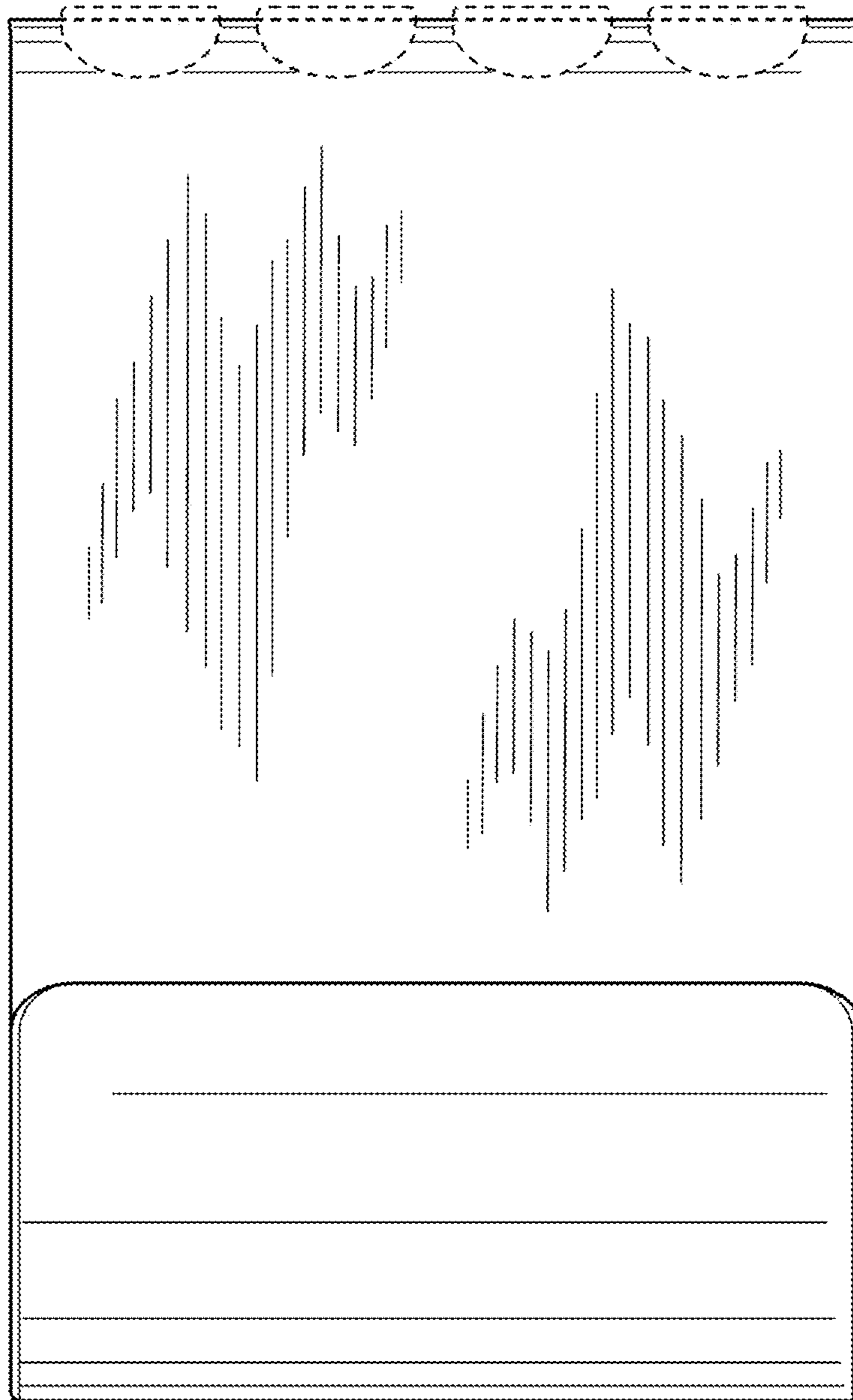


FIG. 3

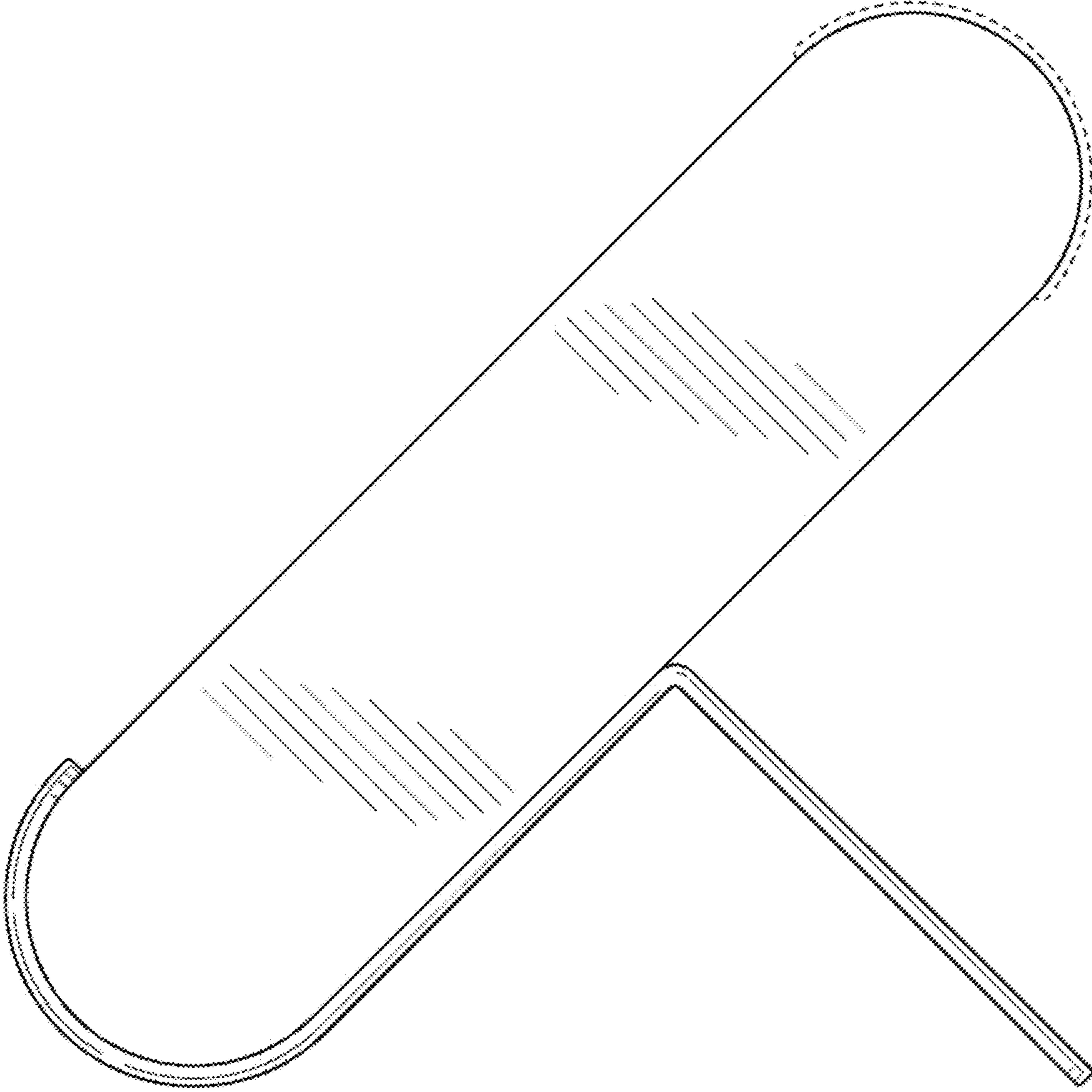


FIG. 4

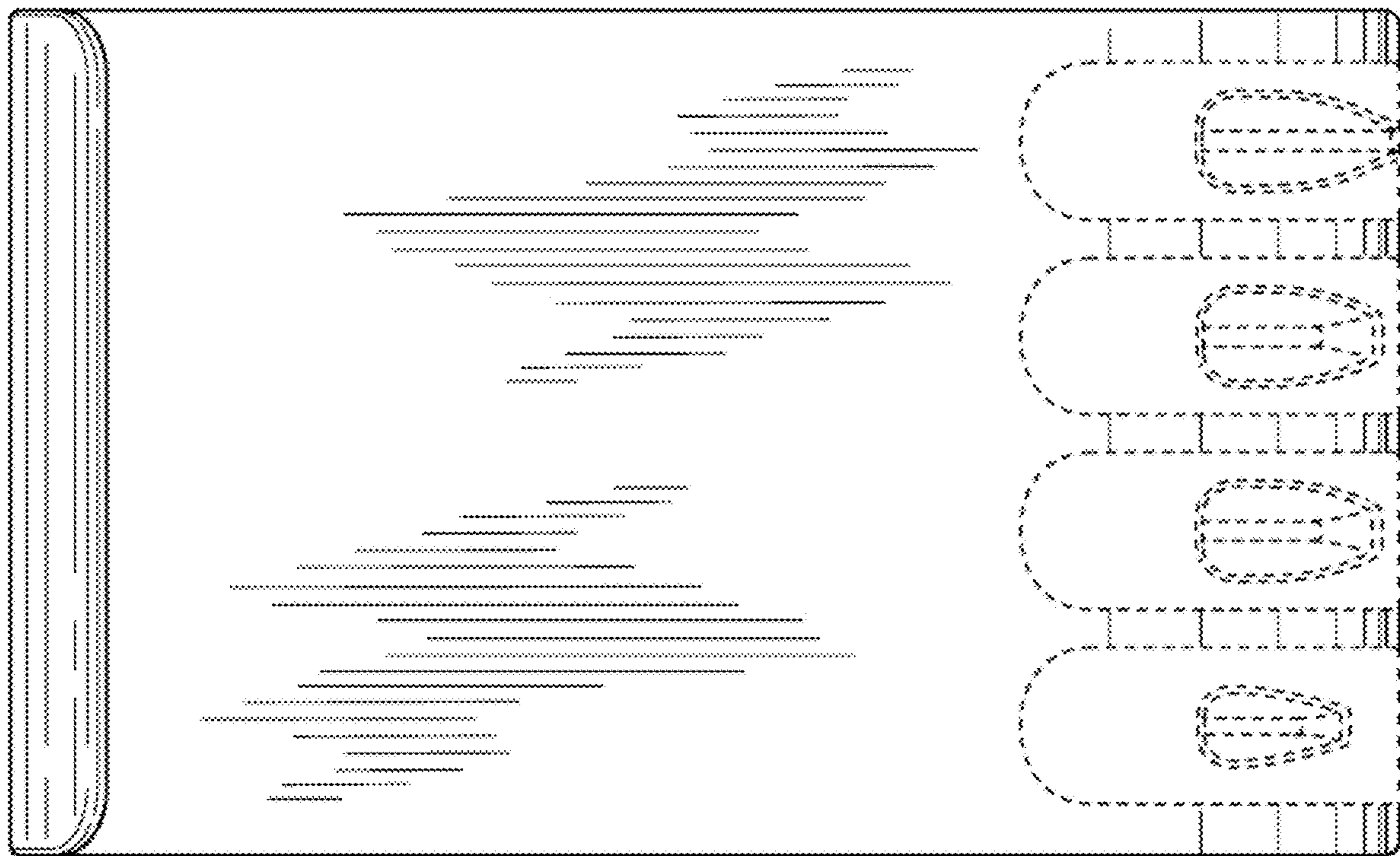


FIG. 5

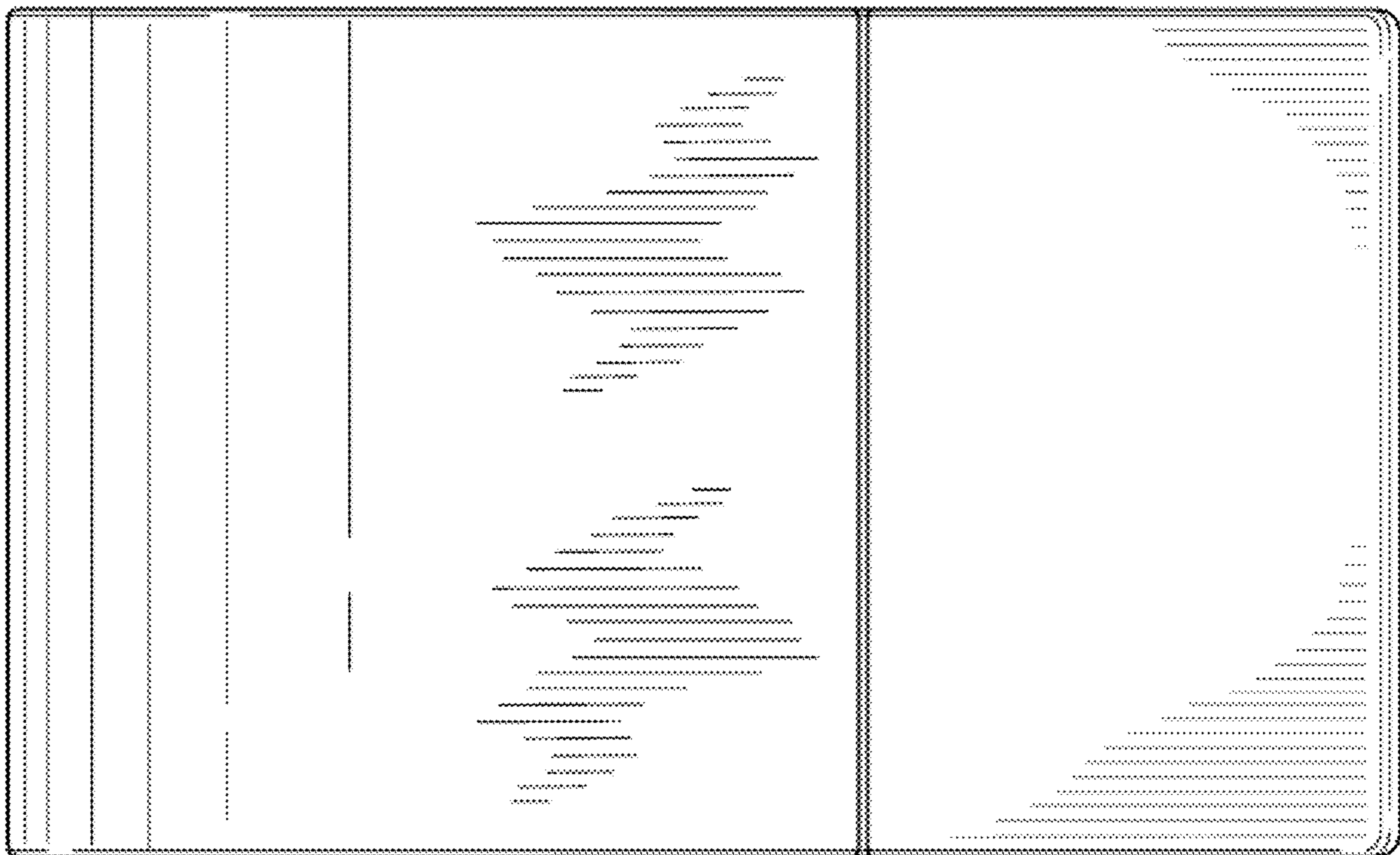


FIG. 6