



US00D886539S

(12) **United States Design Patent** (10) **Patent No.:** **US D886,539 S**  
**Jacobsen** (45) **Date of Patent:** **\*\* Jun. 9, 2020**

- (54) **COOLER WITH STRAP HANDLES AND WRAP-AROUND CLOSURE** 3,225,983 A 12/1965 Majka  
 3,734,336 A 5/1973 Rankow et al.  
 3,905,526 A 9/1975 Tomatsuri  
 4,050,264 A \* 9/1977 Tanaka ..... F25D 3/08  
 62/457.2
- (71) Applicant: **RTIC OUTDOORS, LLC**, Houston, TX (US) 4,119,248 A 10/1978 Butler et al.  
 4,334,601 A 6/1982 Davis  
 D279,346 S 6/1985 Ruxton  
 4,537,313 A \* 8/1985 Workman ..... A47J 47/145  
 206/545
- (72) Inventor: **James Matthew Jacobsen**, Houston, TX (US) D284,333 S 6/1986 Huston  
 D284,623 S 7/1986 Gerch  
 D289,597 S \* 5/1987 Averitt ..... D7/605  
 4,805,776 A \* 2/1989 Namgyal ..... A45C 3/00  
 206/523
- (\*\*) Term: **15 Years**
- (21) Appl. No.: **29/674,518** D311,452 S 10/1990 Ehret  
 D311,476 S \* 10/1990 Kumakura ..... D7/605  
 4,978,044 A 12/1990 Silver  
 D313,316 S 1/1991 Nordstrom  
 D340,387 S 10/1993 Melk  
 D340,621 S 10/1993 Melk  
 D340,840 S \* 11/1993 Melk ..... D3/283  
 5,329,787 A 7/1994 Friday  
 5,403,095 A 4/1995 Melk  
 5,421,172 A 6/1995 Jones  
 D361,665 S 8/1995 Izumi  
 D371,051 S 6/1996 Melk  
 D371,052 S 6/1996 Melk  
 D371,907 S 7/1996 Cyr et al.  
 D371,942 S \* 7/1996 Lippincott ..... D7/607  
 D387,626 S \* 12/1997 Melk ..... D7/605  
 D390,004 S 2/1998 Tawil  
 D403,161 S 12/1998 Lin  
 6,238,091 B1 5/2001 Mogil et al.  
 D450,187 S 11/2001 King  
 D456,669 S 5/2002 Munari  
 D461,633 S 8/2002 Guyon  
 D465,134 S 11/2002 Joss  
 6,474,097 B2 11/2002 Treppedi et al.  
 D478,782 S 8/2003 Li  
 6,666,363 B2 12/2003 Godshaw et al.  
 D492,115 S 6/2004 Bertelsen et al.  
 7,162,890 B2 \* 1/2007 Mogil ..... A45C 11/20  
 62/457.7
- (22) Filed: **Dec. 21, 2018**

**Related U.S. Application Data**

- (63) Continuation of application No. 29/631,410, filed on Dec. 29, 2017, now Pat. No. Des. 837,001.
- (51) **LOC (12) Cl.** ..... **07-01**
- (52) **U.S. Cl.**  
 USPC ..... **D7/607; D7/605**
- (58) **Field of Classification Search**  
 USPC ..... D7/603-608, 709, 710, 629; D3/283, D3/287, 289, 233, 267, 268, 273, 276, D3/315, 318  
 CPC ..... F25D 2331/804; F25D 2331/801; F25D 3/08; B65D 30/08; B65D 30/22; B65D 81/3858; B65D 81/3828; B65D 81/3888; B65D 81/18; B65D 81/3897; B65D 31/04; B65D 53/00; B65D 69/00; B65D 8/18; A45C 11/20; A45C 13/02; A45F 3/02; A45F 3/12; A45F 3/14; A45F 3/04; A45F 4/02

See application file for complete search history.

(56) **References Cited**

**U.S. PATENT DOCUMENTS**

- |             |         |          |                |        |                                    |
|-------------|---------|----------|----------------|--------|------------------------------------|
| 2,963,187 A | 12/1960 | Bramming | D536,929 S     | 2/2007 | Kingsley                           |
| 3,089,603 A | 5/1963  | Laurance | 7,240,513 B1   | 7/2007 | Conforti                           |
| D195,812 S  | 8/1963  | James    | D548,082 S     | 8/2007 | Kingsley                           |
|             |         |          | D573,422 S     | 7/2008 | Tagliati et al.                    |
|             |         |          | D575,059 S *   | 8/2008 | Cappiello ..... D3/283             |
|             |         |          | 7,540,363 B2   | 6/2009 | Tonelli                            |
|             |         |          | 7,669,436 B2   | 3/2010 | Mogil et al.                       |
|             |         |          | 7,730,739 B2 * | 6/2010 | Fuchs ..... A45C 11/20<br>62/457.7 |



D620,707	S	8/2010	Magil	
D626,416	S	11/2010	Cresswell	
D628,382	S	12/2010	Niehaus et al.	
D635,457	S	4/2011	Lane	
D636,184	S	4/2011	Scicluna et al.	
D637,809	S	5/2011	Meldeau	
8,043,004	B2	10/2011	Magil	
D662,360	S	6/2012	George	
8,191,747	B2	6/2012	Pruchnicki	
D668,913	S	10/2012	Mayer	
8,327,659	B2	12/2012	Winkler et al.	
D673,994	S	1/2013	Geller	
8,348,510	B2	1/2013	Mogil	
D691,796	S	10/2013	Stewart	
D692,661	S	11/2013	Gupton	
D695,568	S	12/2013	Hayes	
D708,954	S	7/2014	Barnes et al.	
8,899,071	B2	12/2014	Mogil et al.	
D722,233	S	2/2015	Inskeep	
D724,318	S	3/2015	Myer	
D725,900	S	4/2015	McCue et al.	
D726,407	S	4/2015	Kuster	
D730,043	S	5/2015	Morelli	
D732,899	S	6/2015	Seiders et al.	
9,078,501	B2	7/2015	Johnson	
D752,347	S	3/2016	Seiders et al.	
D762,384	S	8/2016	Boroski	
9,408,445	B2	8/2016	Mogil et al.	
D768,378	S *	10/2016	Schilp	D3/232
9,491,994	B2 *	11/2016	Sherr	A45C 7/0068
D786,559	S	5/2017	Seiders et al.	
D786,560	S	5/2017	Seiders et al.	
D786,561	S	5/2017	Seiders et al.	
D786,562	S	5/2017	Seiders et al.	
D797,454	S	9/2017	Seiders et al.	
D797,455	S	9/2017	Seiders et al.	
D800,444	S *	10/2017	Burton	D3/203.1
D805,851	S	12/2017	Sullivan et al.	
D808,655	S	1/2018	Seiders et al.	
D808,730	S	1/2018	Sullivan et al.	
D829,244	S	9/2018	Sullivan et al.	
D835,473	S	12/2018	Jacobsen	
D835,950	S	12/2018	Jacobsen	
D836,999	S	1/2019	Jacobsen	
D837,000	S	1/2019	Jacobsen	
D837,001	S	1/2019	Jacobsen	
D840,761	S	2/2019	Seiders et al.	
D840,762	S	2/2019	Seiders et al.	
D840,763	S	2/2019	Seiders et al.	
D840,764	S	2/2019	Seiders et al.	
D859,934	S	9/2019	Seiders et al.	
D862,177	S	10/2019	Seiders et al.	
D862,528	S	10/2019	Sullivan et al.	
2005/0205459	A1	9/2005	Mogil et al.	
2006/0254952	A1	11/2006	Trevino et al.	
2007/0237432	A1	10/2007	Mogil et al.	
2007/0261977	A1	11/2007	Sakai	
2009/0049859	A1	2/2009	Moon	
2010/0059199	A1	3/2010	Court	
2010/0320248	A1	12/2010	Uimonen	
2011/0182532	A1	7/2011	Saltus	
2011/0186585	A1	8/2011	Lu	
2012/0145720	A1	6/2012	Hicks	
2013/0140120	A1	6/2013	Rasmussen	
2013/0188892	A1	7/2013	Bevier	
2013/0216158	A1	8/2013	Meldeau et al.	
2016/0029764	A1	2/2016	Hayashi	
2016/0101924	A1	4/2016	Mitchell et al.	

FOREIGN PATENT DOCUMENTS

JP	2009-018845	1/2009
JP	2011-041776	3/2011

OTHER PUBLICATIONS

'amazon.com' [online]. "Agile Life Designs Large Lunchbox, Premium Quality Men and Women's Insulated Bag with 2 Mesh Bottle

Pockets," Published on or before Dec. 28, 2017, Retrieved from the Internet: URL<[https://www.amazon.com/Agile-Life-Designs-Lunchbox-Insulated/dp/B073J35GDL/ref=sr\\_1\\_146\\_sspa?ie=UTF8&qid=1521850999&sr=8-146-spons&keywords=lunch+box&psc=1](https://www.amazon.com/Agile-Life-Designs-Lunchbox-Insulated/dp/B073J35GDL/ref=sr_1_146_sspa?ie=UTF8&qid=1521850999&sr=8-146-spons&keywords=lunch+box&psc=1)>. 9 pages.

'amazon.com' [online]. "ALOPEX Insulated Lunch Bag Cooler Bag Large Pocket Adjustable Strap With Ice Pack (Red, 12Can)," Published on or before Dec. 28, 2017, Retrieved from the Internet: URL<[https://www.amazon.com/ALOPEX-Insulated-Cooler-Pocket-Adjustable/dp/B077GQGVQ3/ref=sr\\_1\\_118?ie=UTF8&qid=1521854833&sr=8-118&keywords=lunch+cooler](https://www.amazon.com/ALOPEX-Insulated-Cooler-Pocket-Adjustable/dp/B077GQGVQ3/ref=sr_1_118?ie=UTF8&qid=1521854833&sr=8-118&keywords=lunch+cooler)>. 8 pages.

'amazon.com' [online]. "Arctic Zone Pro 30 (24+6) Can Zipperless Cooler," Published on or before Dec. 28, 2017, Retrieved from the Internet: URL<[https://www.amazon.com/Arctic-Zone-Pro-Zipperless-Cooler/dp/B00L2KV718/ref=sr\\_1\\_90?ie=UTF8&qid=1521954820&sr=8-90&keywords=lunch+box+cooler](https://www.amazon.com/Arctic-Zone-Pro-Zipperless-Cooler/dp/B00L2KV718/ref=sr_1_90?ie=UTF8&qid=1521954820&sr=8-90&keywords=lunch+box+cooler)>. 9 pages.

'amazon.com' [online]. "Arctic Zone Titan Deep Freeze 16 Can Zipperless Cooler, Silver," Published on or before Dec. 28, 2017, Retrieved from the Internet: URL<[https://www.amazon.com/Arctic-Zone-Freeze-Zipperless-Cooler/dp/B01ALB94XG/ref=sr\\_1\\_4?ie=UTF8&qid=1521960036&sr=8-4&keywords=soft+cooler](https://www.amazon.com/Arctic-Zone-Freeze-Zipperless-Cooler/dp/B01ALB94XG/ref=sr_1_4?ie=UTF8&qid=1521960036&sr=8-4&keywords=soft+cooler)>. 9 pages.

'amazon.com' [online]. "BAGSMART Foldable Duffel Overnight Bag Travel Weekend Bag 40L," Published on or before Dec. 28, 2017, Retrieved from the Internet: URL<[https://www.amazon.com/BAGSMART-Foldable-Duffel-Overnight-Weekend/dp/B01LYK2UZ6/ref=sr\\_1\\_215?s=apparel&ie=UTF8&qid=1521057004&sr=1-215&nodeID=9479199011&psd=1&keywords=duffle+bag](https://www.amazon.com/BAGSMART-Foldable-Duffel-Overnight-Weekend/dp/B01LYK2UZ6/ref=sr_1_215?s=apparel&ie=UTF8&qid=1521057004&sr=1-215&nodeID=9479199011&psd=1&keywords=duffle+bag)>. 9 pages.

'amazon.com' [online]. "Bigfoot Outdoor "Journeyman" Insulated Cooler Bag—Tough—Built to Last—Great for Construction, Camping, Road Trips, Picnics, Job-Sites, Truckers . . . (1-Cooler Bag)," Published on or before Dec. 28, 2017, Retrieved from the Internet: URL<[https://www.amazon.com/Bigfoot-Outdoor-Journeyman-Insulated-Cooler/dp/B06ZYK5DL5/ref=sr\\_1\\_216?ie=UTF8&qid=1521851062&sr=8-216&keywords=lunch+box](https://www.amazon.com/Bigfoot-Outdoor-Journeyman-Insulated-Cooler/dp/B06ZYK5DL5/ref=sr_1_216?ie=UTF8&qid=1521851062&sr=8-216&keywords=lunch+box)>. 9 pages.

'amazon.com' [online]. "Carhartt Deluxe Dual Compartment Insulated Lunch Cooler Bag, Carhartt Brown," Published on or before Dec. 28, 2017, Retrieved from the Internet: URL<[https://www.amazon.com/Carhartt-Deluxe-Compartment-Insulated-Cooler/dp/B06XFY5NZW/ref=sr\\_1\\_112?ie=UTF8&qid=1521960216&sr=8-112&keywords=soft+cooler](https://www.amazon.com/Carhartt-Deluxe-Compartment-Insulated-Cooler/dp/B06XFY5NZW/ref=sr_1_112?ie=UTF8&qid=1521960216&sr=8-112&keywords=soft+cooler)>. 8 pages.

'amazon.com' [online]. "CleverMade SnapBasket 50 Can, Soft-Sided Collapsible Cooler: 30 Liter Insulated Tote Bag, Heathered Charcoal/Black," Published on or before Dec. 28, 2017, Retrieved from the Internet: URL<[https://www.amazon.com/dp/B01KPW8ZEK/ref=sxbs\\_sxwds-stvp\\_2?pf\\_rd\\_m=ATVPDKIKX0DER&pf\\_rd\\_p=3524794222&pd\\_rd\\_wg=R91ap&pf\\_rd\\_r=MH3XSP5C48FB13B0DT59&pf\\_rd\\_s=desktop-sx-bottom-slot&pf\\_rd\\_t=301&pd\\_rd\\_i=B01KPW8ZEK&pd\\_rd\\_w=1rbfg&pf\\_rd\\_i=lunch+cooler&pd\\_rd\\_r=cc195352-c294-4136-a913-02986e057810&ie=UTF8&qid=1521955928&sr=2](https://www.amazon.com/dp/B01KPW8ZEK/ref=sxbs_sxwds-stvp_2?pf_rd_m=ATVPDKIKX0DER&pf_rd_p=3524794222&pd_rd_wg=R91ap&pf_rd_r=MH3XSP5C48FB13B0DT59&pf_rd_s=desktop-sx-bottom-slot&pf_rd_t=301&pd_rd_i=B01KPW8ZEK&pd_rd_w=1rbfg&pf_rd_i=lunch+cooler&pd_rd_r=cc195352-c294-4136-a913-02986e057810&ie=UTF8&qid=1521955928&sr=2)>. 9 pages.

'amazon.com' [online]. "COARA Insulated Lunch Bag, Reusable Lunch Tote Bag, Lunch Cooler Bag with Detachable Shoulder Strap and Soft Handle, Black," Published on or before Dec. 28, 2017, Retrieved from the Internet: URL<[https://www.amazon.com/COARA-Insulated-Reusable-Detachable-Shoulder/dp/B074CHJZKY/ref=sr\\_1\\_238?ie=UTF8&qid=1521958409&sr=8-238&keywords=soft+side+cooler](https://www.amazon.com/COARA-Insulated-Reusable-Detachable-Shoulder/dp/B074CHJZKY/ref=sr_1_238?ie=UTF8&qid=1521958409&sr=8-238&keywords=soft+side+cooler)>. 7 pages.

'amazon.com' [online]. "Cooler Bag, Ladyker Large Insulated Lunch Bag Lunch Tote Soft Cooler with Front Pocket, Sides Pockets, Adjustable Shoulder Strap, Handle Strap and Zipper for Women Men Outdoor Picnic Work Blue," Published on or before Dec. 28, 2017, Retrieved from the Internet: URL<[https://www.amazon.com/Ladyker-Insulated-Pockets-Adjustable-Shoulder/dp/B01J17RE2E/ref=sr\\_1\\_166?ie=UTF8&qid=1521854890&sr=8-166&keywords=lunch+cooler](https://www.amazon.com/Ladyker-Insulated-Pockets-Adjustable-Shoulder/dp/B01J17RE2E/ref=sr_1_166?ie=UTF8&qid=1521854890&sr=8-166&keywords=lunch+cooler)>. 9 pages.

'amazon.com' [online]. "DALIX 21" Large Duffel Bag with Adjustable Strap," Published on or before Dec. 28, 2017, Retrieved from the Internet: URL<[https://www.amazon.com/DALIX-Large-Duffel-Adjustable-Strap/dp/B00V5CAPL6/ref=sr\\_1\\_9?s=apparel&ie=UTF8&qid=1521056829&sr=1-9&nodeID=9479199011&psd=1&keywords=duffle+bag](https://www.amazon.com/DALIX-Large-Duffel-Adjustable-Strap/dp/B00V5CAPL6/ref=sr_1_9?s=apparel&ie=UTF8&qid=1521056829&sr=1-9&nodeID=9479199011&psd=1&keywords=duffle+bag)>. 7 pages.

'amazon.com' [online]. "Dot&Dot Foldable Travel Duffel Bag for Men Women Teens—Luggage, Sports, Gym," Published on or before Dec. 28, 2017, Retrieved from the Internet: URL<[https://www.amazon.com/Dot-Foldable-Travel-Duffel-Women/dp/B01ARC467I/ref=sr\\_1\\_49?s=apparel&ie=UTF8&qid=1521056829&sr=1-49&nodeID=9479199011&psd=1&keywords=duffle+bag](https://www.amazon.com/Dot-Foldable-Travel-Duffel-Women/dp/B01ARC467I/ref=sr_1_49?s=apparel&ie=UTF8&qid=1521056829&sr=1-49&nodeID=9479199011&psd=1&keywords=duffle+bag)>. 8 pages.

'amazon.com' [online]. "eBags Crew Cooler Jr. (Brushed Indigo)," Published on or before Dec. 28, 2017, Retrieved from the Internet: URL<[https://www.amazon.com/eBags-Crew-Cooler-Brushed-Indigo/dp/B06XC3FQ5B/ref=sr\\_1\\_84?ie=UTF8&qid=1521854780&sr=8-84&keywords=lunch+cooler](https://www.amazon.com/eBags-Crew-Cooler-Brushed-Indigo/dp/B06XC3FQ5B/ref=sr_1_84?ie=UTF8&qid=1521854780&sr=8-84&keywords=lunch+cooler)>. 8 pages.

'amazon.com' [online]. "Extra Large Cooler Bag—1680D Heavy-Duty Polyester, High Density Insulation, Heat-Sealed Peva Liner. Durable Zipper, Multiple Pockets, Shoulder Straps and Metal Clips. This is Not a Small Lunch Bag," Published on or before Dec. 28, 2017, Retrieved from the Internet: URL<[https://www.amazon.com/Extra-Large-Cooler-Bag-Heat-Sealed/dp/B06X6H86VM/ref=sr\\_1\\_274\\_sspa?ie=UTF8&qid=1521958474&sr=8-274-spons&keywords=soft+side+cooler&psc=1](https://www.amazon.com/Extra-Large-Cooler-Bag-Heat-Sealed/dp/B06X6H86VM/ref=sr_1_274_sspa?ie=UTF8&qid=1521958474&sr=8-274-spons&keywords=soft+side+cooler&psc=1)>. 9 pages.

'amazon.com' [online]. "Extreme Pak Black Cooler Bag with Zip-Out Liner: Cooler Bag Insulated," Published on or before Dec. 28, 2017, Retrieved from the Internet: URL<[https://www.amazon.com/Extreme-Black-Cooler-Zip-Out-Liner/dp/B004F5IZBM/ref=sr\\_1\\_85?ie=UTF8&qid=1521854780&sr=8-85&keywords=lunch+cooler](https://www.amazon.com/Extreme-Black-Cooler-Zip-Out-Liner/dp/B004F5IZBM/ref=sr_1_85?ie=UTF8&qid=1521854780&sr=8-85&keywords=lunch+cooler)>. 8 pages.

'amazon.com' [online]. "Fanmaous Lunch Box Insulated Lunch Bag Large Cooler Tote Bag Drinks Bottle Box Thermal Lunch Bags for Adult Men Women Car Picnic Camping Family ,Double Deck Cooler(18L/Khaki)," Published on or before Dec. 28, 2017, Retrieved from the Internet: URL<[https://www.amazon.com/Fanmaous-Insulated-Cooler-Thermal-Camping/dp/B07219PS3P/ref=sr\\_1\\_205?ie=UTF8&qid=1521954988&sr=8-205&keywords=lunch+box+cooler](https://www.amazon.com/Fanmaous-Insulated-Cooler-Thermal-Camping/dp/B07219PS3P/ref=sr_1_205?ie=UTF8&qid=1521954988&sr=8-205&keywords=lunch+box+cooler)>. 11 pages.

'amazon.com' [online]. "Fashion Travel Cheer Gym Duffel Bag 21" (Multicolor Paw Print)," Published on or before Dec. 28, 2017, Retrieved from the Internet: URL<[https://www.amazon.com/Fashion-Travel-Cheer-Duffel-Multicolor/dp/B0731JT1M9/ref=sr\\_1\\_25?s=apparel&ie=UTF8&qid=1521056829&sr=1-25&nodeID=9479199011&psd=1&keywords=duffle+bag](https://www.amazon.com/Fashion-Travel-Cheer-Duffel-Multicolor/dp/B0731JT1M9/ref=sr_1_25?s=apparel&ie=UTF8&qid=1521056829&sr=1-25&nodeID=9479199011&psd=1&keywords=duffle+bag)>. 6 pages.

'amazon.com' [online]. "Fit & Fresh Insulated Large Soft Cooler Lunch Bag, 18 Can Capacity—Adjustable Shoulder Strap, Zipper Closure, Leakproof Lining (Black)," Published on or before Dec. 28, 2017, Retrieved from the Internet: URL<[https://www.amazon.com/Fit-Fresh-Insulated-Cooler-Capacity/dp/B075Z5SDWF/ref=sr\\_1\\_45?ie=UTF8&qid=1521958176&sr=8-45&keywords=soft+side+cooler](https://www.amazon.com/Fit-Fresh-Insulated-Cooler-Capacity/dp/B075Z5SDWF/ref=sr_1_45?ie=UTF8&qid=1521958176&sr=8-45&keywords=soft+side+cooler)>. 7 pages.

'amazon.com' [online]. "Fox Outdoor Products Jumbo Patrol Bag, Coyote," Published on or before Dec. 28, 2017, Retrieved from the Internet: URL<[https://www.amazon.com/Fox-Outdoor-Products-Patrol-Coyote/dp/B0051VBVZQ/ref=sr\\_1\\_214?ie=UTF8&qid=1521056348&sr=8-214&keywords=bag+with+handle+wrap](https://www.amazon.com/Fox-Outdoor-Products-Patrol-Coyote/dp/B0051VBVZQ/ref=sr_1_214?ie=UTF8&qid=1521056348&sr=8-214&keywords=bag+with+handle+wrap)>. 6 pages.

'amazon.com' [online]. "Glotech Large Meal Prep Bag Cooler Bag Insulated Lunch Bag Box," Published on or before Dec. 28, 2017, Retrieved from the Internet: URL<[https://www.amazon.com/Glotech-Large-Cooler-Insulated-Lunch/dp/B06XHL9KYK/ref=pb\\_sbs\\_79\\_54?\\_encoding=UTF8&pd\\_rd\\_i=B06XHL9KYK&pd\\_rd\\_r=0Z6F6Q93TVPCBSMDB909&pd\\_rd\\_w=qjX1Q&pd\\_rd\\_wg=kPbDP&psc=1&refRID=0Z6F6Q93TVPCBSMDB909](https://www.amazon.com/Glotech-Large-Cooler-Insulated-Lunch/dp/B06XHL9KYK/ref=pb_sbs_79_54?_encoding=UTF8&pd_rd_i=B06XHL9KYK&pd_rd_r=0Z6F6Q93TVPCBSMDB909&pd_rd_w=qjX1Q&pd_rd_wg=kPbDP&psc=1&refRID=0Z6F6Q93TVPCBSMDB909)>. 8 pages.

'amazon.com' [online]. "Heavy Duty Cargo Duffel Gear Bag Equipment Bags Square Sport Duffel Travel Bags Rooftop Rack Bag Medium Traveling Roofbag," Published on or before Dec. 28, 2017, Retrieved from the Internet: URL<[https://www.amazon.com/Equipment-Hardware-Rooftop-Roofbag-Traveling/dp/B078JMKYC8/ref=sr\\_1\\_200?ie=UTF8&qid=1521056348&sr=8-200&keywords=bag+with+handle+wrap](https://www.amazon.com/Equipment-Hardware-Rooftop-Roofbag-Traveling/dp/B078JMKYC8/ref=sr_1_200?ie=UTF8&qid=1521056348&sr=8-200&keywords=bag+with+handle+wrap)>. 5 pages.

'amazon.com' [online]. "Heavy Duty Cargo Duffel Large Sport Gear Drum Set Equipment Hardware Travel Bag Rooftop Rack Bag," Published on or before Dec. 28, 2017, Retrieved from the Internet: URL<[https://www.amazon.com/Round-Duffel-Equipment-Travel-24x12-5/dp/B07111RV8R/ref=sr\\_1\\_255?ie=UTF8&qid=1521056374&sr=8-255&keywords=bag+with+handle+wrap](https://www.amazon.com/Round-Duffel-Equipment-Travel-24x12-5/dp/B07111RV8R/ref=sr_1_255?ie=UTF8&qid=1521056374&sr=8-255&keywords=bag+with+handle+wrap)>. 7 pages.

'amazon.com' [online]. "Homitt Soft Cooler, 30 Can Soft Pack Cooler Insulated Soft Sided Cooler with Heavy Duty Waterproof TPU Material for Taking Lunch, Camping, Sea Fishing, Daily Trip to Beach, Family Picnic," Published on or before Dec. 28, 2017, Retrieved from the Internet: URL<[https://www.amazon.com/Homitt-Insulated-Waterproof-Material-Camping/dp/B06ZZ36L69/ref=sr\\_1\\_69?ie=UTF8&qid=1521955981&sr=8-69&keywords=lunch+cooler](https://www.amazon.com/Homitt-Insulated-Waterproof-Material-Camping/dp/B06ZZ36L69/ref=sr_1_69?ie=UTF8&qid=1521955981&sr=8-69&keywords=lunch+cooler)>. 11 pages.

'amazon.com' [online]. "Insulated Cooler Lunch Bag—Multiple Storage Pockets—For Work and Family Outings by Cozy Bear (Gray with Blue Trim)," Published on or before Dec. 28, 2017, Retrieved from the Internet: URL<[https://www.amazon.com/Insulated-Cooler-Lunch-Bag-Multiple/dp/B06Y43TXGR/ref=sr\\_1\\_67?ie=UTF8&qid=1521954791&sr=8-67&keywords=lunch+box+cooler](https://www.amazon.com/Insulated-Cooler-Lunch-Bag-Multiple/dp/B06Y43TXGR/ref=sr_1_67?ie=UTF8&qid=1521954791&sr=8-67&keywords=lunch+box+cooler)>. 7 pages.

'amazon.com' [online]. "Insulated Lunch Bag (Black)—Freezer Safe, Nylon Durability, Zip Closure—Cooler Lunch Bag for Men, Women and Kids—Locks in Heat & Cold," Published on or before Dec. 28, 2017, Retrieved from the Internet: URL<[https://www.amazon.com/dp/B01CHUNW1O/ref=sxbs\\_sxwds-stppvp\\_2?pf\\_rd\\_m=ATVPDKIKX0DER&pf\\_rd\\_p=3467859002&pd\\_rd\\_wg=WWKeX&pf\\_rd\\_r=91C75BZJFGPGM1FQT6G3&pf\\_rd\\_s=desktop-sx-bottom-slot&pf\\_rd\\_t=301&pd\\_rd\\_i=B01CHUNW1O&pd\\_rd\\_w=JEJT8&pf\\_rd\\_i=soft+side+cooler&pd\\_rd\\_r=7598837a-217c-4db9-92d7-007lac2027db&ie=UTF8&qid=1521958176&sr=2](https://www.amazon.com/dp/B01CHUNW1O/ref=sxbs_sxwds-stppvp_2?pf_rd_m=ATVPDKIKX0DER&pf_rd_p=3467859002&pd_rd_wg=WWKeX&pf_rd_r=91C75BZJFGPGM1FQT6G3&pf_rd_s=desktop-sx-bottom-slot&pf_rd_t=301&pd_rd_i=B01CHUNW1O&pd_rd_w=JEJT8&pf_rd_i=soft+side+cooler&pd_rd_r=7598837a-217c-4db9-92d7-007lac2027db&ie=UTF8&qid=1521958176&sr=2)>. 10 pages.

'amazon.com' [online]. "Insulated Lunch Bag for Men and Women by Vapos, Lunch Box for Adults and Teens, Sturdy Cooler with Front Organizer Pocket, Heavy Duty Zippers and Superior Insulation, Lunch Recipes eBook," Published on or before Dec. 28, 2017, Retrieved from the Internet: URL<[https://www.amazon.com/Insulated-Vapos-Organizer-Superior-Insulation/dp/B076BLYTQ9/ref=sr\\_1\\_74?ie=UTF8&qid=1521854757&sr=8-74&keywords=lunch+cooler](https://www.amazon.com/Insulated-Vapos-Organizer-Superior-Insulation/dp/B076BLYTQ9/ref=sr_1_74?ie=UTF8&qid=1521854757&sr=8-74&keywords=lunch+cooler)>. 8 pages.

'amazon.com' [online]. "Insulated Lunch Bag for Men Women Adults Work Kids Cooler Box Travel Bags Nylon Double-Sewn Thermal Food Kit Tote Bento Boxes Best 2 Way Zipper Closures Adjustable Shoulder Strap—Set Pockets Black," Published on or before Dec. 28, 2017, Retrieved from the Internet: URL<[https://www.amazon.com/Insulated-Double-Sewn-Closures-Adjustable-Shoulder/dp/B06XSJ3PYP/ref=sr\\_1\\_282?ie=UTF8&qid=1521851149&sr=8-282&keywords=lunch+box](https://www.amazon.com/Insulated-Double-Sewn-Closures-Adjustable-Shoulder/dp/B06XSJ3PYP/ref=sr_1_282?ie=UTF8&qid=1521851149&sr=8-282&keywords=lunch+box)>. 11 pages.

'amazon.com' [online]. "Insulated Lunch Bag for Work—Pinnacle Cooler Bag for Men, Women Lunch Container for Adults + Bonus Gel Ice Pack and Matching Cutlery—Double Zipper, Adjustable strap—Black & Blue," Published on or before Dec. 28, 2017, Retrieved from the Internet: URL<[https://www.amazon.com/INSULATED-LUNCH-BAG-Work-Adjustable/dp/B01N573539/ref=pb\\_sbs\\_79\\_18?\\_encoding=UTF8&pd\\_rd\\_i=B01N573539&pd\\_rd\\_r=0Z6F6Q93TVPCBSMDB909&pd\\_rd\\_w=qjX1Q&pd\\_rd\\_wg=kPbDP&psc=1&refRID=0Z6F6Q93TVPCBSMDB909](https://www.amazon.com/INSULATED-LUNCH-BAG-Work-Adjustable/dp/B01N573539/ref=pb_sbs_79_18?_encoding=UTF8&pd_rd_i=B01N573539&pd_rd_r=0Z6F6Q93TVPCBSMDB909&pd_rd_w=qjX1Q&pd_rd_wg=kPbDP&psc=1&refRID=0Z6F6Q93TVPCBSMDB909)>. 8 pages.

'amazon.com' [online]. "Insulated Lunch Bag Reusable Splashing Resistant Oxford Fabric Lunch Box Cooler Tote Bag with Handle Straps & Side Mesh Pockets (Blue)," Published on or before Dec. 28, 2017, Retrieved from the Internet: URL<[https://www.amazon.com/Insulated-Reusable-Splashing-Resistant-Pockets/dp/B072X7PRXV/ref=sr\\_1\\_97\\_sspa?ie=UTF8&qid=1521854780&sr=8-97-spons&keywords=lunch+cooler&psc=1](https://www.amazon.com/Insulated-Reusable-Splashing-Resistant-Pockets/dp/B072X7PRXV/ref=sr_1_97_sspa?ie=UTF8&qid=1521854780&sr=8-97-spons&keywords=lunch+cooler&psc=1)>. 8 pages.

'amazon.com' [online]. "Insulated Lunch Bag, F40C4TMP Adult Lunch Bag for Men Women Meal Prep Lunch Box Cooler Tote Bag Size 12 Cans, Grey," Published on or before Dec. 28, 2017, Retrieved from the Internet: URL<[https://www.amazon.com/Insulated-Lunch-F40C4TMP-Adult-Cooler/dp/B0782TX8L1/ref=sr\\_1\\_105?ie=UTF8&qid=1521850911&sr=8-105&keywords=lunch+box](https://www.amazon.com/Insulated-Lunch-F40C4TMP-Adult-Cooler/dp/B0782TX8L1/ref=sr_1_105?ie=UTF8&qid=1521850911&sr=8-105&keywords=lunch+box)>. 11 pages.

'amazon.com' [online]. "Insulated Lunch Bag: InsigniaX Adult Lunch Box for Work, Men, Women With Adjustable Strap, Front Pocket and Side Pocket [Unisex Lunch Bags] H: 8.4" xW: 6.3" xL:9.1" (Black & Red)," Published on or before Dec. 28, 2017, Retrieved from the Internet: URL<[https://www.amazon.com/dp/B01ADKNF7Q/ref=sspa\\_dk\\_detail\\_3?psc=1&pd\\_rd\\_i=B01ADKNF7Q&pd\\_rd\\_wg=kPbDP&pd\\_rd\\_r=0Z6F6Q93TVPCBSMDB909&pd\\_rd\\_w=gtthct](https://www.amazon.com/dp/B01ADKNF7Q/ref=sspa_dk_detail_3?psc=1&pd_rd_i=B01ADKNF7Q&pd_rd_wg=kPbDP&pd_rd_r=0Z6F6Q93TVPCBSMDB909&pd_rd_w=gtthct)>. 10 pages.

'amazon.com' [online]. "Insulated Lunch Cooler Bag Detachable Shoulder Strap—2 Way Closure Zippers Safe Thermal Tote with Side Pocket and Large Back Pocket for Adults Men Women," Published on or before Dec. 28, 2017, Retrieved from the Internet: URL<[https://www.amazon.com/Insulated-Lunch-Cooler-Detachable-Shoulder/dp/B0752B5MP7/ref=pd\\_sbs\\_79\\_21?\\_encoding=UTF8&pd\\_rd\\_i=B0752B5MP7&pd\\_rd\\_r=0Z6F6Q93TVPCBSMDB909&pd\\_rd\\_w=qjXIQ&pd\\_rd\\_wg=kPbDP&psc=1&refRID=0Z6F6Q93TVPCBSMDB909](https://www.amazon.com/Insulated-Lunch-Cooler-Detachable-Shoulder/dp/B0752B5MP7/ref=pd_sbs_79_21?_encoding=UTF8&pd_rd_i=B0752B5MP7&pd_rd_r=0Z6F6Q93TVPCBSMDB909&pd_rd_w=qjXIQ&pd_rd_wg=kPbDP&psc=1&refRID=0Z6F6Q93TVPCBSMDB909)>. 9 pages.

'amazon.com' [online]. "J World New York Duncan 22 inch Three-way Weekender Duffel Bag, Black," Published on or before Dec. 28, 2017, Retrieved from the Internet: URL<[https://www.amazon.com/World-New-York-Three-way-Weekender/dp/B00NL0DQP2/ref=sr\\_1\\_171?ie=UTF8&qid=1521056313&sr=8-171&keywords=bag+with+handle+wrap](https://www.amazon.com/World-New-York-Three-way-Weekender/dp/B00NL0DQP2/ref=sr_1_171?ie=UTF8&qid=1521056313&sr=8-171&keywords=bag+with+handle+wrap)>. 7 pages.

'amazon.com' [online]. "J World Stadium 22" Expandable Single Handle Rolling Duffel Bag in Black," Published on or before Dec. 28, 2017, Retrieved from the Internet: URL<[https://www.amazon.com/World-STADIUM-Expandable-Single-Rolling/dp/B01JTB9TJS/ref=sr\\_1\\_232?ie=UTF8&qid=1521056348&sr=8-232&keywords=bag+with+handle+wrap](https://www.amazon.com/World-STADIUM-Expandable-Single-Rolling/dp/B01JTB9TJS/ref=sr_1_232?ie=UTF8&qid=1521056348&sr=8-232&keywords=bag+with+handle+wrap)>. 5 pages.

'amazon.com' [online]. "KEYNEW Overnight Travel Bag for Men Weekender Duffel Bag Luggage Tote bags," Published on or before Dec. 28, 2017, Retrieved from the Internet: URL<[https://www.amazon.com/KEYNEW-Travel-Weekender-Overnight-Luggage/dp/B071K5CQZR/ref=sr\\_1\\_168?ie=UTF8&qid=1521056313&sr=8-168&keywords=bag+with+handle+wrap](https://www.amazon.com/KEYNEW-Travel-Weekender-Overnight-Luggage/dp/B071K5CQZR/ref=sr_1_168?ie=UTF8&qid=1521056313&sr=8-168&keywords=bag+with+handle+wrap)>. 6 pages.

'amazon.com' [online]. "KOSOX 30-Can Collapsible Cooler Bag, Large Capacity Multi Pockets Thermal Insulated Waterproof Soft Cooler Tote for Outdoor Picnic Camping Fishing Travel," Published on or before Dec. 28, 2017, Retrieved from the Internet: URL<[https://www.amazon.com/KOSOX-Collapsible-Capacity-Insulated-Waterproof/dp/B075FRJ5MC/ref=sr\\_1\\_210?ie=UTF8&qid=1521958361&sr=8-210&keywords=soft+side+cooler](https://www.amazon.com/KOSOX-Collapsible-Capacity-Insulated-Waterproof/dp/B075FRJ5MC/ref=sr_1_210?ie=UTF8&qid=1521958361&sr=8-210&keywords=soft+side+cooler)>. 7 pages.

'amazon.com' [online]. "Large Heavy Duty Insulated Lunch Bag Cooler Bag for Men and Women (Black and Gray) Overwake Original," Published on or before Dec. 28, 2017, Retrieved from the Internet: URL<[https://www.amazon.com/Large-Insulated-Cooler-Overwake-Original/dp/B074YWLFYK/ref=pd\\_sbs\\_79\\_27?\\_encoding=UTF8&pd\\_rd\\_i=B074YWLFYK&pd\\_rd\\_r=0Z6F6Q93TVPCBSMDB909&pd\\_rd\\_w=qjXIQ&pd\\_rd\\_wg=kPbDP&psc=1&refRID=0Z6F6Q93TVPCBSMDB909](https://www.amazon.com/Large-Insulated-Cooler-Overwake-Original/dp/B074YWLFYK/ref=pd_sbs_79_27?_encoding=UTF8&pd_rd_i=B074YWLFYK&pd_rd_r=0Z6F6Q93TVPCBSMDB909&pd_rd_w=qjXIQ&pd_rd_wg=kPbDP&psc=1&refRID=0Z6F6Q93TVPCBSMDB909)>. 7 pages.

'amazon.com' [online]. "Large Insulated Lunch Bag Cooler Tote With 2 Reusable Cooler Ice Packs Easy Pull Zippers, Detachable Shoulder Strap, Roomy Compartments for Lunch Box, Bottles, Containers, Travel, Camping & More," Published on or before Dec. 28, 2017, Retrieved from the Internet: URL<[https://www.amazon.com/dp/B074Q3S8BC/ref=sxbs\\_sxwds-stppvp\\_3?pf\\_rd\\_m=ATVPDKIKX0DER&pf\\_rd\\_p=3467859002&pd\\_rd\\_wg=WWKeX&pf\\_rd\\_r=91C75BZJFGPGM1FQT6G3&pf\\_rd\\_s=desktop-sx-bottom-slot&pf\\_rd\\_t=301&pd\\_rd\\_i=B074Q3S8BC&pd\\_rd\\_w=JfJT8&pf\\_rd\\_i=soft+side+cooler&pd\\_rd\\_r=7598837a-217c-4db9-92d7-0071ac2027db&ie=UTF8&qid=1521958176&sr=3](https://www.amazon.com/dp/B074Q3S8BC/ref=sxbs_sxwds-stppvp_3?pf_rd_m=ATVPDKIKX0DER&pf_rd_p=3467859002&pd_rd_wg=WWKeX&pf_rd_r=91C75BZJFGPGM1FQT6G3&pf_rd_s=desktop-sx-bottom-slot&pf_rd_t=301&pd_rd_i=B074Q3S8BC&pd_rd_w=JfJT8&pf_rd_i=soft+side+cooler&pd_rd_r=7598837a-217c-4db9-92d7-0071ac2027db&ie=UTF8&qid=1521958176&sr=3)>. 8 pages.

'amazon.com' [online]. "Lavington Insulated Cooler Bag—Large Lunch Bag—Picnic and Travel Lunch Box—Multiple Pockets & Insulated Compartments—Strongest SBS Zippers & Handles," Published on or before Dec. 28, 2017, Retrieved from the Internet: URL<[https://www.amazon.com/Lavington-Insulated-Cooler-Bag-Compartments/dp/B071W33VBN/ref=sr\\_1\\_11?ie=UTF8&qid=1521852326&sr=8-11&keywords=lunch+cooler](https://www.amazon.com/Lavington-Insulated-Cooler-Bag-Compartments/dp/B071W33VBN/ref=sr_1_11?ie=UTF8&qid=1521852326&sr=8-11&keywords=lunch+cooler)>. 9 pages.

'amazon.com' [online]. "Luggage Sporty Gear Bag—Large, Dark Purple, One Size," Published on or before Dec. 28, 2017, Retrieved from the Internet: URL<[https://www.amazon.com/Luggage-Sporty-Gear-Bag-Purple/dp/B00DHVP1E4/ref=sr\\_1\\_15?s=apparel&ie=UTF8&qid=1521056829&sr=1-15&nodeID=9479199011&psd=1&keywords=duffle+bag](https://www.amazon.com/Luggage-Sporty-Gear-Bag-Purple/dp/B00DHVP1E4/ref=sr_1_15?s=apparel&ie=UTF8&qid=1521056829&sr=1-15&nodeID=9479199011&psd=1&keywords=duffle+bag)>. 8 pages.

'amazon.com' [online]. "Malirona Canvas Weekender Bag Travel Duffel Bag for Weekend Overnight Trip," Published on or before Dec. 28, 2017, Retrieved from the Internet: URL<[https://www.amazon.com/Malirona-Canvas-Weekender-Weekend-Overnight/dp/B074T8HYLJ/ref=sr\\_1\\_43?s=apparel&ie=UTF8&qid=1521056829&sr=1-43&nodeID=9479199011&psd=1&keywords=duffle+bag](https://www.amazon.com/Malirona-Canvas-Weekender-Weekend-Overnight/dp/B074T8HYLJ/ref=sr_1_43?s=apparel&ie=UTF8&qid=1521056829&sr=1-43&nodeID=9479199011&psd=1&keywords=duffle+bag)>. 10 pages.

'amazon.com' [online]. "MIER 9 Can Insulated Lunch Bag for Women Leakproof Soft Cooler Tote, Orange," Published on or before Dec. 28, 2017, Retrieved from the Internet: URL<[https://www.amazon.com/MIER-Insulated-Leakproof-Cooler-Orange/dp/B071JRQ6F7/ref=sr\\_1\\_120?ie=UTF8&qid=1521850941&sr=8-120&keywords=lunch+box](https://www.amazon.com/MIER-Insulated-Leakproof-Cooler-Orange/dp/B071JRQ6F7/ref=sr_1_120?ie=UTF8&qid=1521850941&sr=8-120&keywords=lunch+box)>. 9 pages.

'amazon.com' [online]. "MIER Insulated Lunch Bag Men and Women Soft Cooler Lunch Box Tote with Shoulder Strap, Leakproof Liner, 24 Can, Black," Published on or before Dec. 28, 2017, Retrieved from the Internet: URL<[https://www.amazon.com/MIER-Insulated-Cooler-Shoulder-Leakproof/dp/B073RDMWMJ/ref=sr\\_1\\_29?ie=UTF8&qid=1521958150&sr=8-29&keywords=soft+side+cooler](https://www.amazon.com/MIER-Insulated-Cooler-Shoulder-Leakproof/dp/B073RDMWMJ/ref=sr_1_29?ie=UTF8&qid=1521958150&sr=8-29&keywords=soft+side+cooler)>. 9 pages.

'amazon.com' [online]. "MIER Large Soft Cooler Bag Insulated Lunch Box Bag Picnic Cooler Tote with Dispensing Lid, Multiple Pockets(black and blue)," Published on or before Dec. 28, 2017, Retrieved from the Internet: URL<[https://www.amazon.com/MIER-Insulated-Dispensing-Multiple-Pockets/dp/B01HHYUY5M/ref=sr\\_1\\_116?ie=UTF8&qid=1521850941&sr=8-116&keywords=lunch+box](https://www.amazon.com/MIER-Insulated-Dispensing-Multiple-Pockets/dp/B01HHYUY5M/ref=sr_1_116?ie=UTF8&qid=1521850941&sr=8-116&keywords=lunch+box)>. 9 pages.

'amazon.com' [online]. "Native Planet Foldable Cyclone Travel Duffel Bag Highly Durable—Black-160L," Published on or before Dec. 28, 2017, Retrieved from the Internet: URL<[https://www.amazon.com/Native-Planet-Foldable-Cyclone-Durable/dp/B01AIWLCR4/ref=sr\\_1\\_210?ie=UTF8&qid=1521056348&sr=8-210&keywords=bag+with+handle+wrap](https://www.amazon.com/Native-Planet-Foldable-Cyclone-Durable/dp/B01AIWLCR4/ref=sr_1_210?ie=UTF8&qid=1521056348&sr=8-210&keywords=bag+with+handle+wrap)>. 6 pages.

'amazon.com' [online]. "Nicole Miller 11" Insulated Lunch Box Portable Cooler Bag—Purple," Published on or before Dec. 28, 2017, Retrieved from the Internet: URL<[https://www.amazon.com/Nicole-Miller-Insulated-Portable-Cooler/dp/B01J8RDK7A/ref=sr\\_1\\_229?ie=UTF8&qid=1521854971&sr=8-229&keywords=lunch+cooler](https://www.amazon.com/Nicole-Miller-Insulated-Portable-Cooler/dp/B01J8RDK7A/ref=sr_1_229?ie=UTF8&qid=1521854971&sr=8-229&keywords=lunch+cooler)>. 8 pages.

'amazon.com' [online]. "Nike Sport III Golf Duffel Bag (Black/ Heather)," Published on or before Dec. 28, 2017, Retrieved from the Internet: URL<[https://www.amazon.com/Sport-III-Duffel-Bag-Heather/dp/B0163GCJ12/ref=sr\\_1\\_184?s=apparel&ie=UTF8&qid=1521056967&sr=1-184&nodeID=9479199011&psd=1&keywords=duffle+bag](https://www.amazon.com/Sport-III-Duffel-Bag-Heather/dp/B0163GCJ12/ref=sr_1_184?s=apparel&ie=UTF8&qid=1521056967&sr=1-184&nodeID=9479199011&psd=1&keywords=duffle+bag)>. 7 pages.

'amazon.com' [online]. "OPUX Premium Thermal Insulated Soft Mini Cooler Bag with Shoulder Strap | Leakproof Liner, Large Lunch Bag for Kids, Adults, Men, Women | Perfect for Picnics, Road Trips | Fits 16 Cans (Black)," Published on or before Dec. 28, 2017, Retrieved from the Internet: URL<[https://www.amazon.com/dp/B07474N7RX/ref=sspa\\_dk\\_detail\\_5?psc=1&pd\\_rd\\_i=B07474N7RX&pd\\_rd\\_wg=kPbDP&pd\\_rd\\_r=0Z6F6Q93TVPCBSMDB909&pd\\_rd\\_w=gthct](https://www.amazon.com/dp/B07474N7RX/ref=sspa_dk_detail_5?psc=1&pd_rd_i=B07474N7RX&pd_rd_wg=kPbDP&pd_rd_r=0Z6F6Q93TVPCBSMDB909&pd_rd_w=gthct)>. 8 pages.

'amazon.com' [online]. "Premium Insulated Soft Cooler Bag With Shoulder Strap by OPUX | Leakproof Liner, Large Lunch Bag for Adults, Men, Women, Work, Office | Perfect for Car, Road Trips and Picnics | Fits 16 Cans (Gray)," Published on or before Dec. 28, 2017, Retrieved from the Internet: URL<[https://www.amazon.com/Premium-Insulated-Shoulder-OPUX-Leakproof/dp/B07472WGX1/ref=sr\\_1\\_129\\_sspa?ie=UTF8&qid=1521854852&sr=8-129-spons&keywords=lunch+cooler&psc=1](https://www.amazon.com/Premium-Insulated-Shoulder-OPUX-Leakproof/dp/B07472WGX1/ref=sr_1_129_sspa?ie=UTF8&qid=1521854852&sr=8-129-spons&keywords=lunch+cooler&psc=1)>. 9 pages.

'amazon.com' [online]. "Ramaka Solutions—Insulated Lunch Bag—Stain Resistant Nylon, 5 Compartments, Non-Toxic Liner, YKK Easy Pull Zippers, Padded Grab Handle, Adjustable Detachable Shoulder Strap Pad (Large, Black)," Published on or before Dec. 28, 2017, Retrieved from the Internet: URL<[https://www.amazon.com/Ramaka-Solutions-Compartments-Adjustable-Detachable/dp/B011AVNESM/ref=pd\\_sbs\\_79\\_36?\\_encoding=UTF8&pd\\_rd\\_i=B011AVNESM&pd\\_rd\\_r=0Z6F6Q93TVPCBSMDB909&pd\\_rd\\_w=qjXIQ&pd\\_rd\\_wg=kPbDP&psc=1&refRID=0Z6F6Q93TVPCBSMDB909](https://www.amazon.com/Ramaka-Solutions-Compartments-Adjustable-Detachable/dp/B011AVNESM/ref=pd_sbs_79_36?_encoding=UTF8&pd_rd_i=B011AVNESM&pd_rd_r=0Z6F6Q93TVPCBSMDB909&pd_rd_w=qjXIQ&pd_rd_wg=kPbDP&psc=1&refRID=0Z6F6Q93TVPCBSMDB909)>. 11 pages.

'amazon.com' [online]. "Red Suricata 14L Large Meal Prep Lunch Bag for Men | Dual Cooler & Heated Lunch Box for Adults | 2 Insulated Compartments | 2 hot packs & 2 ice packs | Loncheras para comida adultos (Navy Blue)," Published on or before Dec. 28, 2017, Retrieved from the Internet: URL<[https://www.amazon.com/Red-Suricata-Insulated-Compartments-Loncheras/dp/B074Z2YY2H/ref=sr\\_1\\_209\\_sspa?ie=UTF8&qid=1521851045&sr=8-209-spons&keywords=lunch+box&psc=1](https://www.amazon.com/Red-Suricata-Insulated-Compartments-Loncheras/dp/B074Z2YY2H/ref=sr_1_209_sspa?ie=UTF8&qid=1521851045&sr=8-209-spons&keywords=lunch+box&psc=1)>. 9 pages.

'amazon.com' [online]. "Revival Picnic Cooler Bag—Top Polyester Insulated Picnic Lunch Cooler Tote Black W/ Large Side Pockets Carry Handle & 48" Shoulder Strap—Large Soft Cooler Insulated Picnic Bag for Grocery, Camping," Published on or before Dec. 28, 2017, Retrieved from the Internet: URL<[https://www.amazon.com/Revival-Polyester-Insulated-Pockets-Shoulder/dp/B01N9PUGXQ/ref=sr\\_1\\_82?ie=UTF8&qid=1521958230&sr=8-82&keywords=soft+side+cooler](https://www.amazon.com/Revival-Polyester-Insulated-Pockets-Shoulder/dp/B01N9PUGXQ/ref=sr_1_82?ie=UTF8&qid=1521958230&sr=8-82&keywords=soft+side+cooler)>. 9 pages.

'amazon.com' [online]. "REYLEO Duffel Bag Men Women Small Gym Bags Nylon Weekender Travel Tote Bag With Leather Handle," Published on or before Dec. 28, 2017, Retrieved from the Internet: URL<[https://www.amazon.com/REYLEO-Duffel-Weekender-Travel-Leather/dp/B071RM4F4Z/ref=sr\\_1\\_34?s=apparel&ie=UTF8&qid=1521056829&sr=1-34&nodeID=9479199011&psd=1&keywords=duffel+bag](https://www.amazon.com/REYLEO-Duffel-Weekender-Travel-Leather/dp/B071RM4F4Z/ref=sr_1_34?s=apparel&ie=UTF8&qid=1521056829&sr=1-34&nodeID=9479199011&psd=1&keywords=duffel+bag)>. 9 pages.

'amazon.com' [online]. "Roxy Sugar It Up Womens Gym Bag," [https://www.amazon.com/Roxy-Anthracite-Swim-Belharra-Flower-Sugar/dp/B071FR4KFH/ref=sr\\_1\\_120?ie=UTF8&qid=1521056290&sr=8-120&keywords=bag+with+handle+wrap](https://www.amazon.com/Roxy-Anthracite-Swim-Belharra-Flower-Sugar/dp/B071FR4KFH/ref=sr_1_120?ie=UTF8&qid=1521056290&sr=8-120&keywords=bag+with+handle+wrap)>. 5 pages.

'amazon.com' [online]. "SCOUT The Stiff One Large Insulated Soft Cooler, PVCfree Liner, Reinforced Hard Bottom and Handles, Water Resistant, Zips Closed, Sherlock," Published on or before Dec. 28, 2017, Retrieved from the Internet: URL<[https://www.amazon.com/SCOUT-Insulated-PVC-free-Reinforced-Resistant/dp/B01IDBC68G/ref=sr\\_1\\_89?ie=UTF8&qid=1521854780&sr=8-89&keywords=lunch+cooler](https://www.amazon.com/SCOUT-Insulated-PVC-free-Reinforced-Resistant/dp/B01IDBC68G/ref=sr_1_89?ie=UTF8&qid=1521854780&sr=8-89&keywords=lunch+cooler)>. 8 pages.

'amazon.com' [online]. "Shacke's Travel Duffel Express Weekender Bag—Carry On Luggage with Shoe Pouch (38L, Dark Gray)," Published on or before Dec. 28, 2017, Retrieved from the Internet: URL<[https://www.amazon.com/Shackes-Travel-Duffel-Express-Weekender/dp/B01FG9WO3K/ref=sr\\_1\\_53?s=apparel&ie=UTF8&qid=1521056896&sr=1-53&nodeID=9479199011&psd=1&keywords=duffel+bag](https://www.amazon.com/Shackes-Travel-Duffel-Express-Weekender/dp/B01FG9WO3K/ref=sr_1_53?s=apparel&ie=UTF8&qid=1521056896&sr=1-53&nodeID=9479199011&psd=1&keywords=duffel+bag)>. 9 pages.

'amazon.com' [online]. "Soft Cooler F40C4TMP Insulated Lunch Box Bag With Pocket Shoulder Strap 9-can," Published on or before Dec. 28, 2017, Retrieved from the Internet: URL<[https://www.amazon.com/Cooler-F40C4TMP-Insulated-Pocket-Shoulder/dp/B074M91M37/ref=sr\\_1\\_43?ie=UTF8&qid=1521958176&sr=8-43&keywords=soft+side+cooler](https://www.amazon.com/Cooler-F40C4TMP-Insulated-Pocket-Shoulder/dp/B074M91M37/ref=sr_1_43?ie=UTF8&qid=1521958176&sr=8-43&keywords=soft+side+cooler)>. 8 pages.

'amazon.com' [online]. "STARCARE Insulated Lunch Box Cooler Bag for Adults with Adjustable Shoulder Strap, Double Space, Oxford Fabric, Black," Published on or before Dec. 28, 2017, Retrieved from the Internet: URL<[https://www.amazon.com/STARCARE-Insulated-Cooler-Adjustable-Shoulder/dp/B071JGVCZB/ref=sr\\_1\\_115?ie=UTF8&qid=1521954863&sr=8-115&keywords=lunch+box+cooler](https://www.amazon.com/STARCARE-Insulated-Cooler-Adjustable-Shoulder/dp/B071JGVCZB/ref=sr_1_115?ie=UTF8&qid=1521954863&sr=8-115&keywords=lunch+box+cooler)>. 11 pages.

'amazon.com' [online]. "travel inspira Duffel Bag For Women & Men—Foldable lightweight Duffel For Luggage Gym Sports," Published on or before Dec. 28, 2017, Retrieved from the Internet: URL<[https://www.amazon.com/travel-inspira-Foldable-Collapsible-Lightweight/dp/B00V4M9MRU/ref=sr\\_1\\_56?s=apparel&ie=UTF8&qid=1521056896&sr=1-56&nodeID=9479199011&psd=1&keywords=duffel+bag](https://www.amazon.com/travel-inspira-Foldable-Collapsible-Lightweight/dp/B00V4M9MRU/ref=sr_1_56?s=apparel&ie=UTF8&qid=1521056896&sr=1-56&nodeID=9479199011&psd=1&keywords=duffel+bag)>. 8 pages.

'amazon.com' [online]. "UBAG Travel Duffel Bag, Gym Bag or Weekender Duffel Bag for Women & Men," Published on or before Dec. 28, 2017, Retrieved from the Internet: URL<[https://www.amazon.com/Travel-Duffel-Weekender-Duffel-Women/dp/B06XGY7GK1/ref=sr\\_1\\_3\\_sspa?s=apparel&ie=UTF8&qid=1521056829&sr=1-3-spons&nodeID=9479199011&psd=1&keywords=duffel+bag&psc=1](https://www.amazon.com/Travel-Duffel-Weekender-Duffel-Women/dp/B06XGY7GK1/ref=sr_1_3_sspa?s=apparel&ie=UTF8&qid=1521056829&sr=1-3-spons&nodeID=9479199011&psd=1&keywords=duffel+bag&psc=1)>. 8 pages.

'amazon.com' [online]. "Under Armour Undeniable 3.0 Medium Duffel Bag, One Size, White/Neon Coral," Published on or before Dec. 28, 2017, Retrieved from the Internet: URL<[https://www.amazon.com/Under-Armour-Undeniable-Medium-Duffel/dp/B071FB4VNK/ref=sr\\_1\\_19?s=apparel&ie=UTF8&qid=1521056829&sr=1-19&nodeID=9479199011&psd=1&keywords=duffel+bag](https://www.amazon.com/Under-Armour-Undeniable-Medium-Duffel/dp/B071FB4VNK/ref=sr_1_19?s=apparel&ie=UTF8&qid=1521056829&sr=1-19&nodeID=9479199011&psd=1&keywords=duffel+bag)>. 6 pages.

'amazon.com' [online]. "UtoteBag Lunch Box Insulated Lunch Bag Cooler Bag 18 Cans Capacity Leakproof With Removable Strap Multipocket Outdoor for Family Beach Trip Picnic Hiking (Black with Grey)," Published on or before Dec. 28, 2017, Retrieved from the Internet: URL<[https://www.amazon.com/UtoteBag-Insulated-Leakproof-Removable-Multipocket/dp/B073TYDYT4/ref=sr\\_1\\_237?ie=UTF8&qid=1521854971&sr=8-237&keywords=lunch+cooler](https://www.amazon.com/UtoteBag-Insulated-Leakproof-Removable-Multipocket/dp/B073TYDYT4/ref=sr_1_237?ie=UTF8&qid=1521854971&sr=8-237&keywords=lunch+cooler)>. 7 pages.

'amazon.com' [online]. "Utotebag Lunch Box Insulated Lunch Bag Cooler Bag 22cans Capacity Leakproof Tote Bag Shoulder Bag With Removable Strap Multi-pocket Outdoor for Family Beach Trip Picnic Hiking (Grey)," Published on or before Dec. 28, 2017, Retrieved from the Internet: URL<[https://www.amazon.com/Utotebag-Insulated-Leakproof-Removable-Multi-pocket/dp/B073TYL9QZ/ref=sr\\_1\\_272?ie=UTF8&qid=1521958453&sr=8-272&keywords=soft+side+cooler](https://www.amazon.com/Utotebag-Insulated-Leakproof-Removable-Multi-pocket/dp/B073TYL9QZ/ref=sr_1_272?ie=UTF8&qid=1521958453&sr=8-272&keywords=soft+side+cooler)>. 6 pages.

'amazon.com' [online]. "Water Proof 30 Can Large Insulated Lunch Box Cooler Bag ROMANTICIST Reusable Foldable Thermal Grocery Tote Bag with handle, Blue," Published on or before Dec. 28, 2017, Retrieved from the Internet: URL<[https://www.amazon.com/Insulated-ROMANTICIST-Reusable-Foldable-Thermal/dp/B01M7XM3YJ/ref=sr\\_1\\_238?ie=UTF8&qid=1521955034&sr=8-238&keywords=lunch+box+cooler](https://www.amazon.com/Insulated-ROMANTICIST-Reusable-Foldable-Thermal/dp/B01M7XM3YJ/ref=sr_1_238?ie=UTF8&qid=1521955034&sr=8-238&keywords=lunch+box+cooler)>. 8 pages.

'amazon.com' [online]. "YOUCCO Duffel Bag for Women & Men—Foldable lightweight Duffel for Luggage Gym Sports," Published on or before Dec. 28, 2017, Retrieved from the Internet: URL<[https://www.amazon.com/YOCCO-Duffel-Bag-Women-Men/dp/B077S2J951/ref=sr\\_1\\_264?ie=UTF8&qid=1521056374&sr=8-264&keywords=bag+with+handle+wrap](https://www.amazon.com/YOCCO-Duffel-Bag-Women-Men/dp/B077S2J951/ref=sr_1_264?ie=UTF8&qid=1521056374&sr=8-264&keywords=bag+with+handle+wrap)>. 5 pages.

'dickssportinggoods.com' [online]. "Igloo Ringleader 24 Can Square Cooler," Published on or before Dec. 28, 2017, Retrieved from the Internet: URL<<https://www.dickssportinggoods.com/p/igloo-ringleader-24-can-square-cooler-17iglurngldr24cnsodr/17iglurngldr24cnsodr>>. 5 pages.

'dickssportinggoods.com' [online]. "Igloo Ringleader 36 Can Square Cooler," Published on or before Dec. 28, 2017, Retrieved from the Internet: URL<<https://www.dickssportinggoods.com/p/igloo-ringleader-36-can-square-cooler-17iglurngldr36cnsodr/17iglurngldr36cnsodr>>. 3 pages.

'llbean.com' [online]. "Adventure Pro Tote," Published on or before Dec. 28, 2017, Retrieved from the Internet: URL<<https://www.llbean.com/llb/shop/116124?feat=677-plalander>>. 5 pages.

'llbean.com' [online]. "Field Canvas Duffel," Published on or before Dec. 28, 2017, Retrieved from the Internet: URL<<https://www.llbean.com/llb/shop/81523?feat=904-GN3&page=field-canvas-duffle&csp=f>>. 6 pages.

U.S. Appl. No. 29/631,396, filed Dec. 29, 2017, Jacobsen.

U.S. Appl. No. 29/631,400, filed Dec. 29, 2017, Jacobsen.

U.S. Appl. No. 29/631,409, filed Dec. 29, 2017, Jacobsen.

U.S. Appl. No. 29/674,469, filed Dec. 21, 2019, Jacobsen.

U.S. Appl. No. 29/631,402, filed Dec. 29, 2017, Jacobsen.

U.S. Appl. No. 29/631,410, filed Dec. 29, 2017, Jacobsen.

U.S. Appl. No. 29/631,413, filed Dec. 29, 2017, Jacobsen.

U.S. Appl. No. 29/667,270, filed Oct. 19, 2018, Jacobsen.

U.S. Appl. No. 29/657,168, filed Jul. 19, 2018, Jacobsen.

U.S. Appl. No. 29/657,169, filed Jul. 19, 2018, Jacobsen.

\* cited by examiner

*Primary Examiner* — Terry A Wallace

(74) *Attorney, Agent, or Firm* — Fish & Richardson P.C.

(57)

### CLAIM

The ornamental design for a cooler with strap handles and wrap-around closure, as shown and described.

### DESCRIPTION

FIG. 1 is a perspective view of a cooler with strap handles and wrap-around closure showing my new design in a closed position.

FIG. 2 is a top view of the cooler with strap handles and wrap-around closure in a closed position.

FIG. 3 is a bottom view of the cooler with strap handles and wrap-around closure in a closed position.

FIG. 4 is a front view of the cooler with strap handles and wrap-around closure in a closed position.

FIG. 5 is a rear view of the cooler with strap handles and wrap-around closure in a closed position.

FIG. 6 is a right side view of the cooler with strap handles and wrap-around closure in a closed position.

FIG. 7 is a left side view of the cooler with strap handles and wrap-around closure in a closed position.

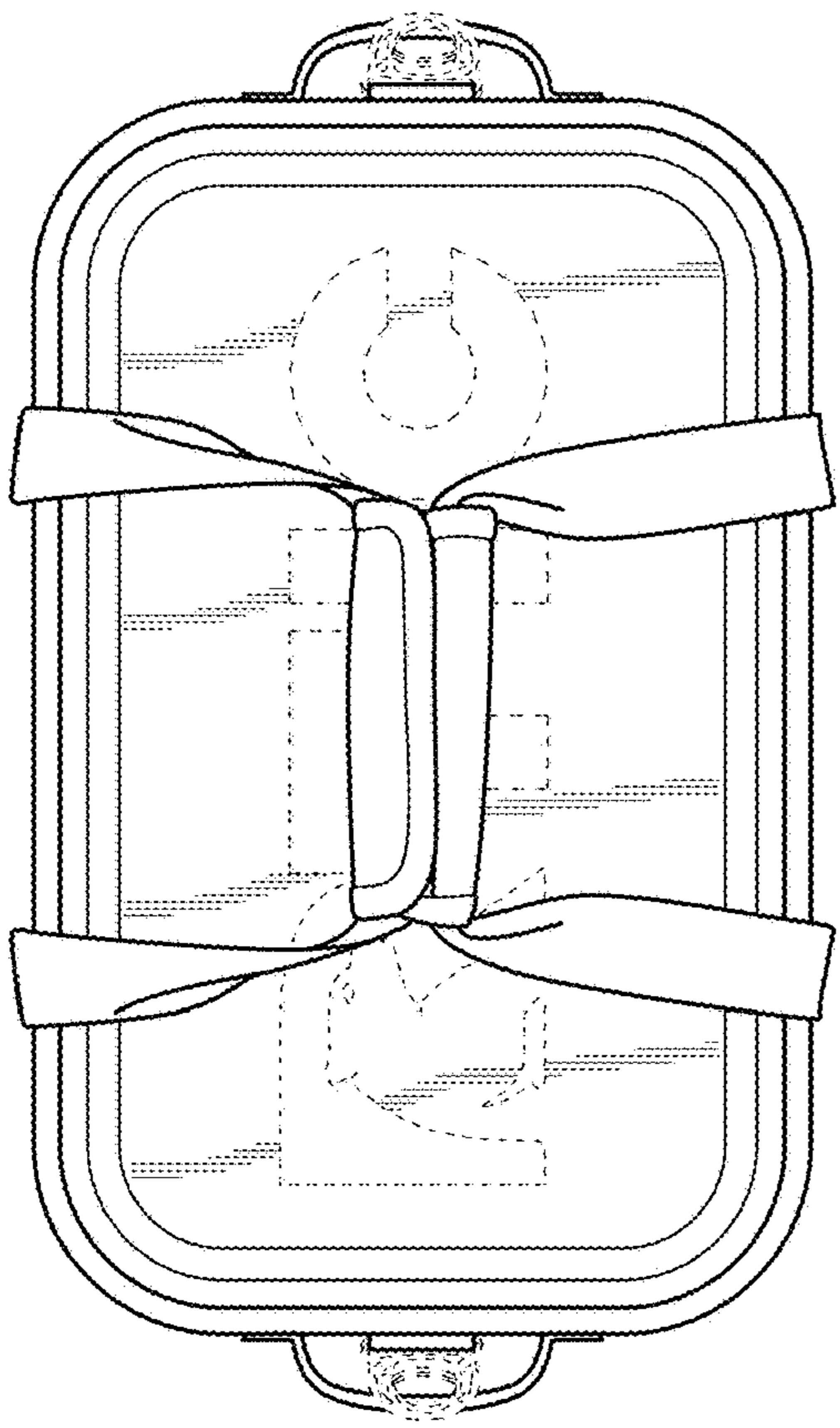
FIG. 8 is an enlarged top view of the wrap-around closure shown separately for clarity of illustration only in an open position displaying a first side of a hook and loop fastener; and,

FIG. 9 is an enlarged bottom view of the wrap-around closure shown separately for clarity of illustration only in an open position displaying a second side of a hook and loop fastener.

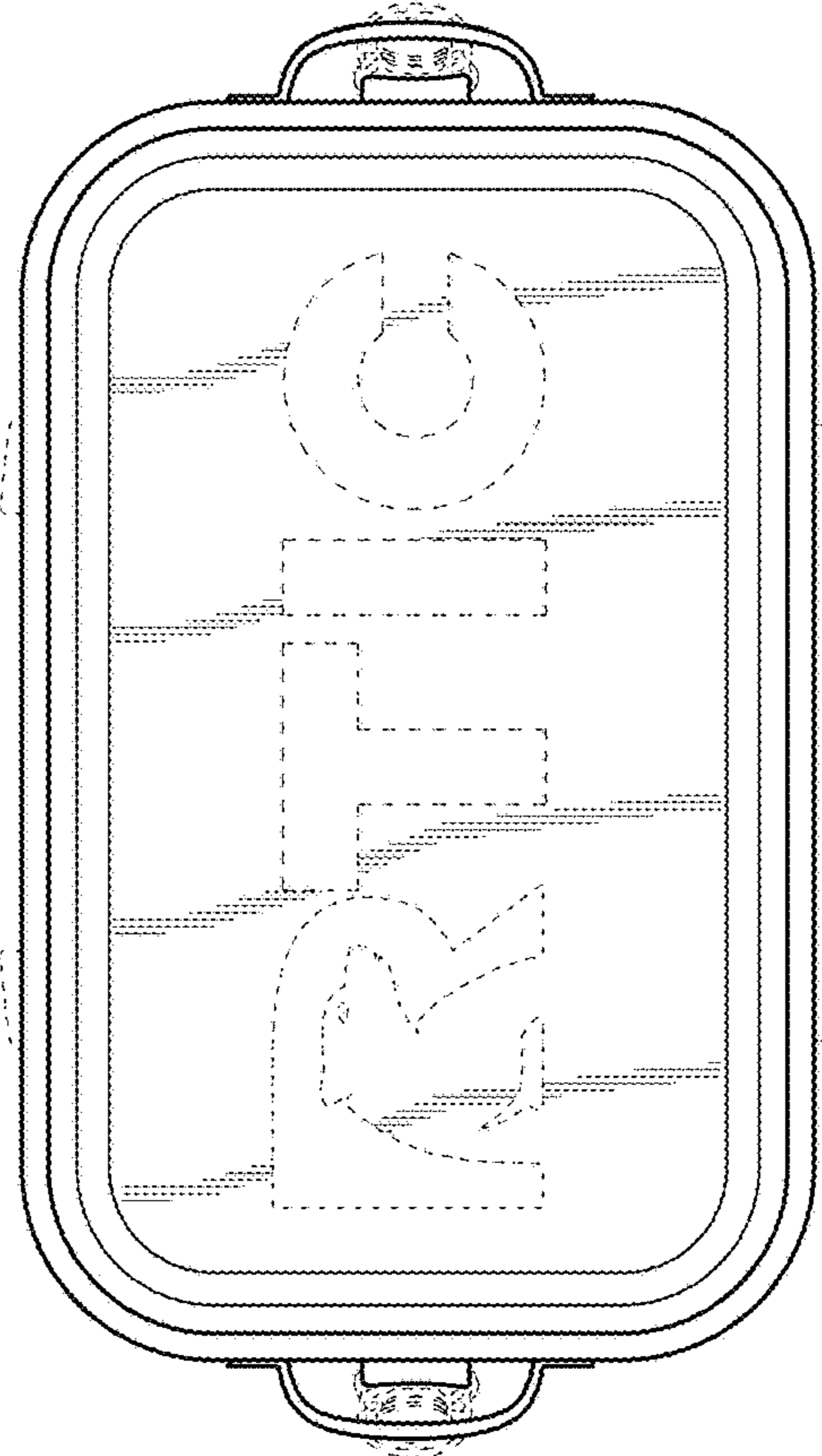
The surface shading and contour lines in the drawings represent surface and contour and do not illustrate material, surface ornamentation, or surface decoration and the broken lines in the drawings form no part of the claimed design.

The mesh pocket in FIG. 5 forms no part of the claimed design.

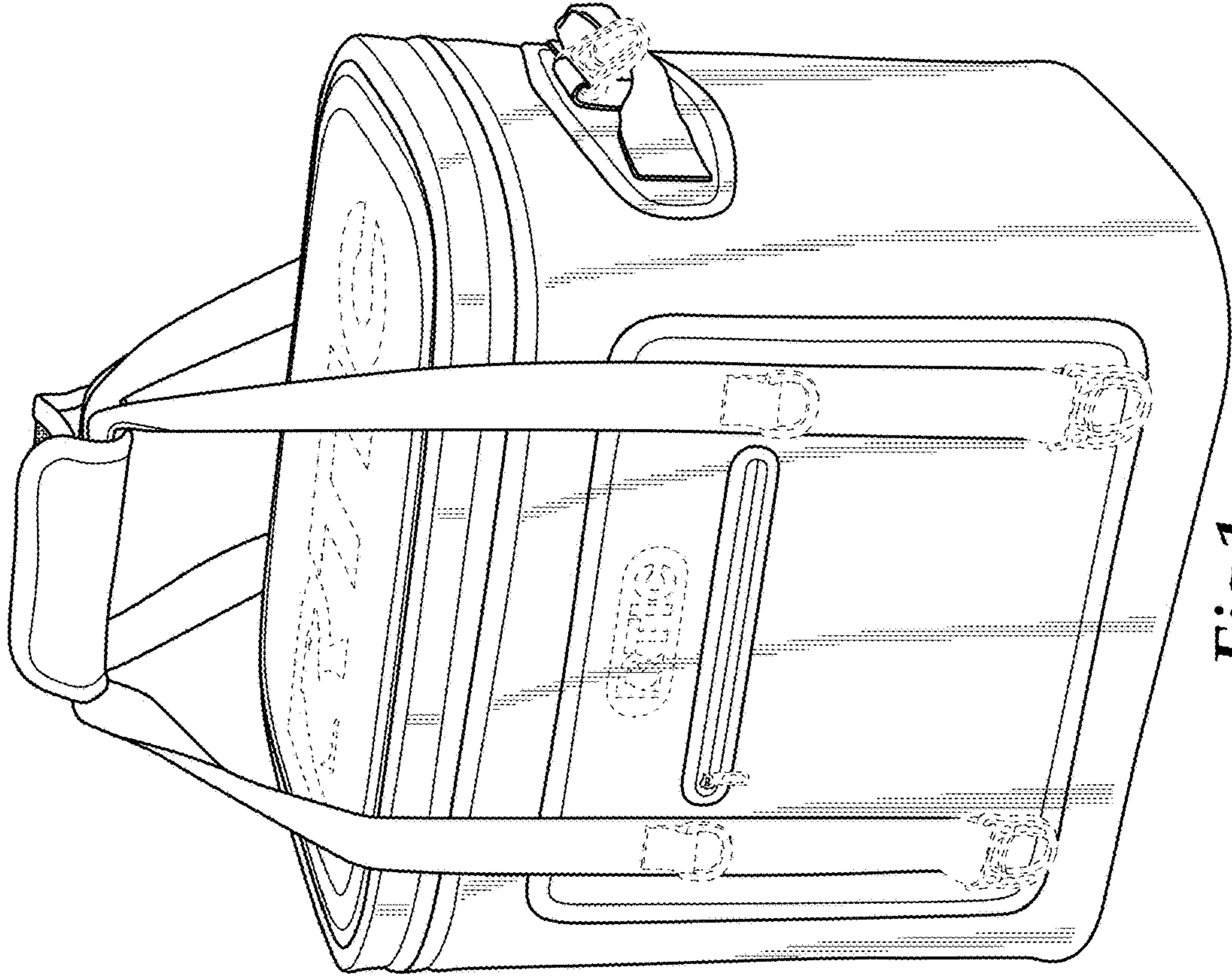
**1 Claim, 3 Drawing Sheets**



*Fig. 2*



*Fig. 3*



*Fig. 1*

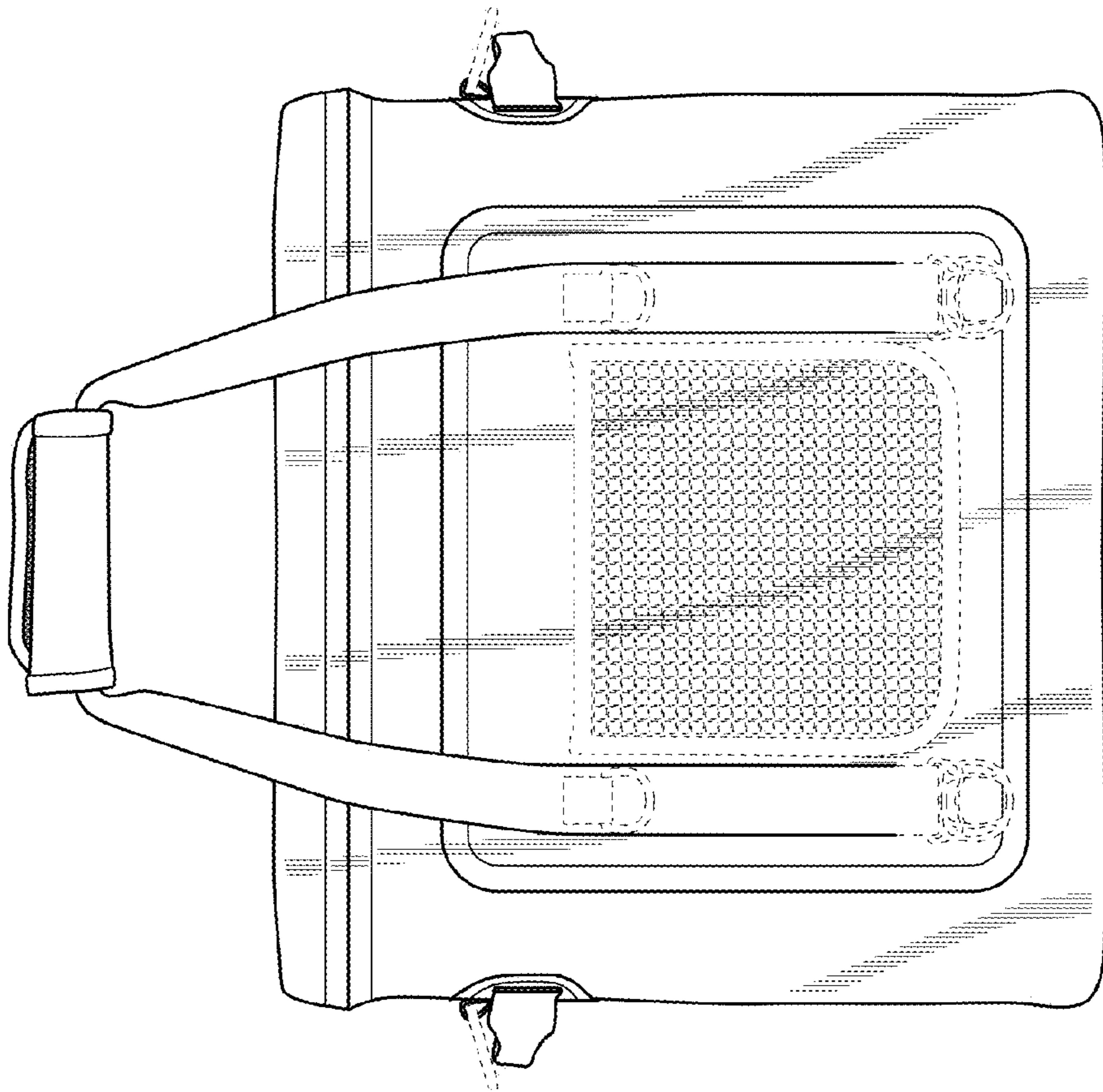


Fig.5

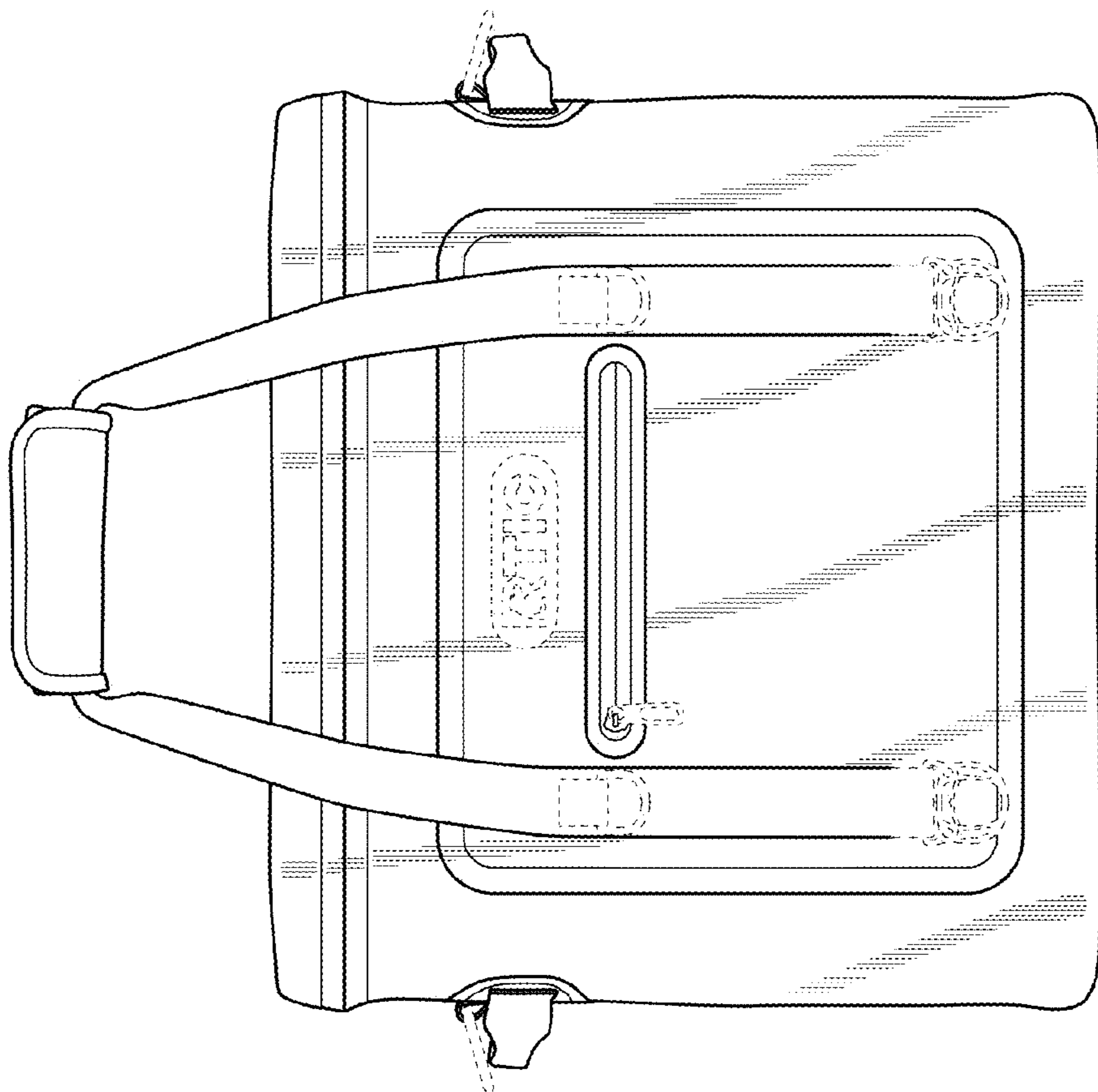
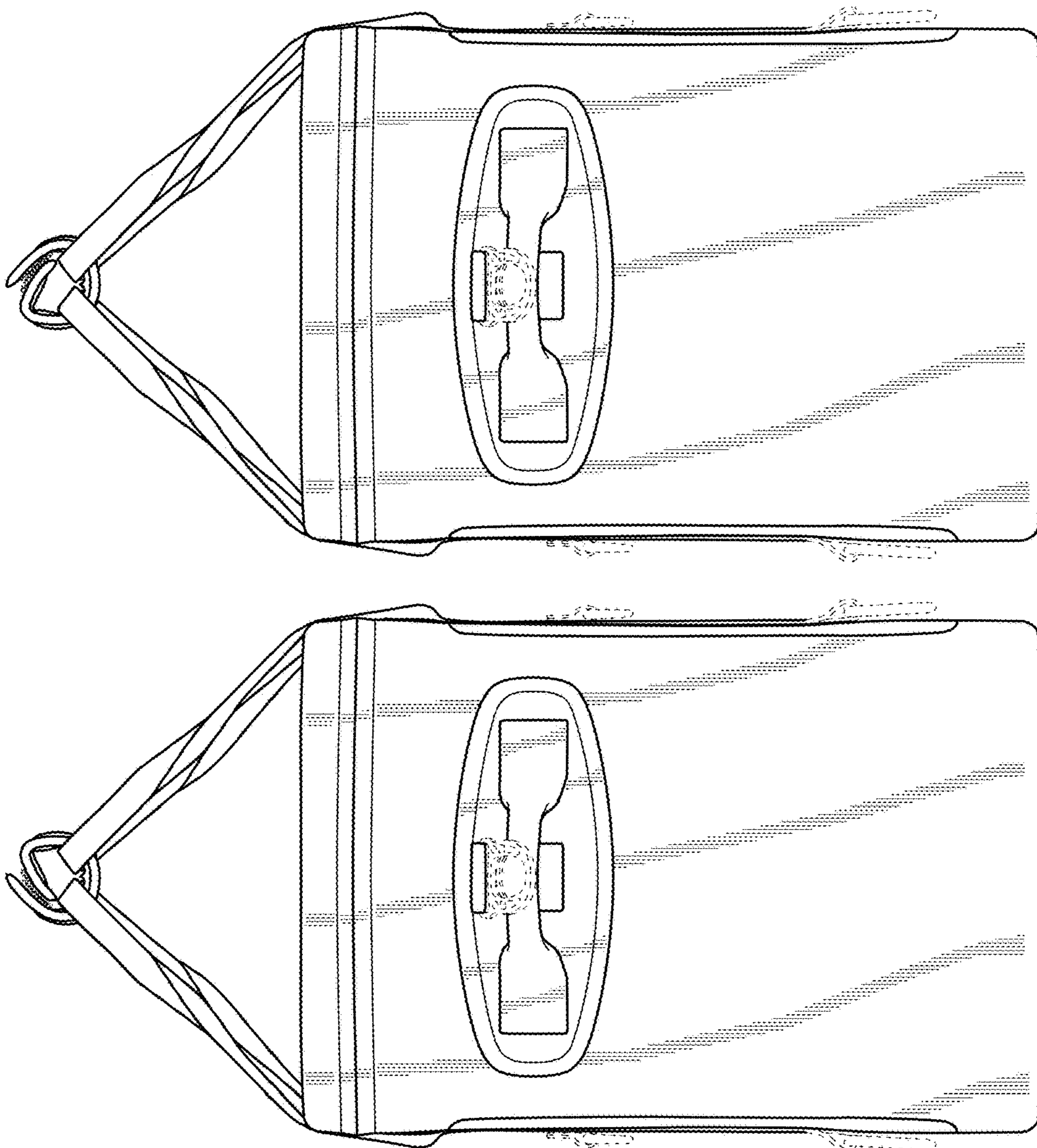


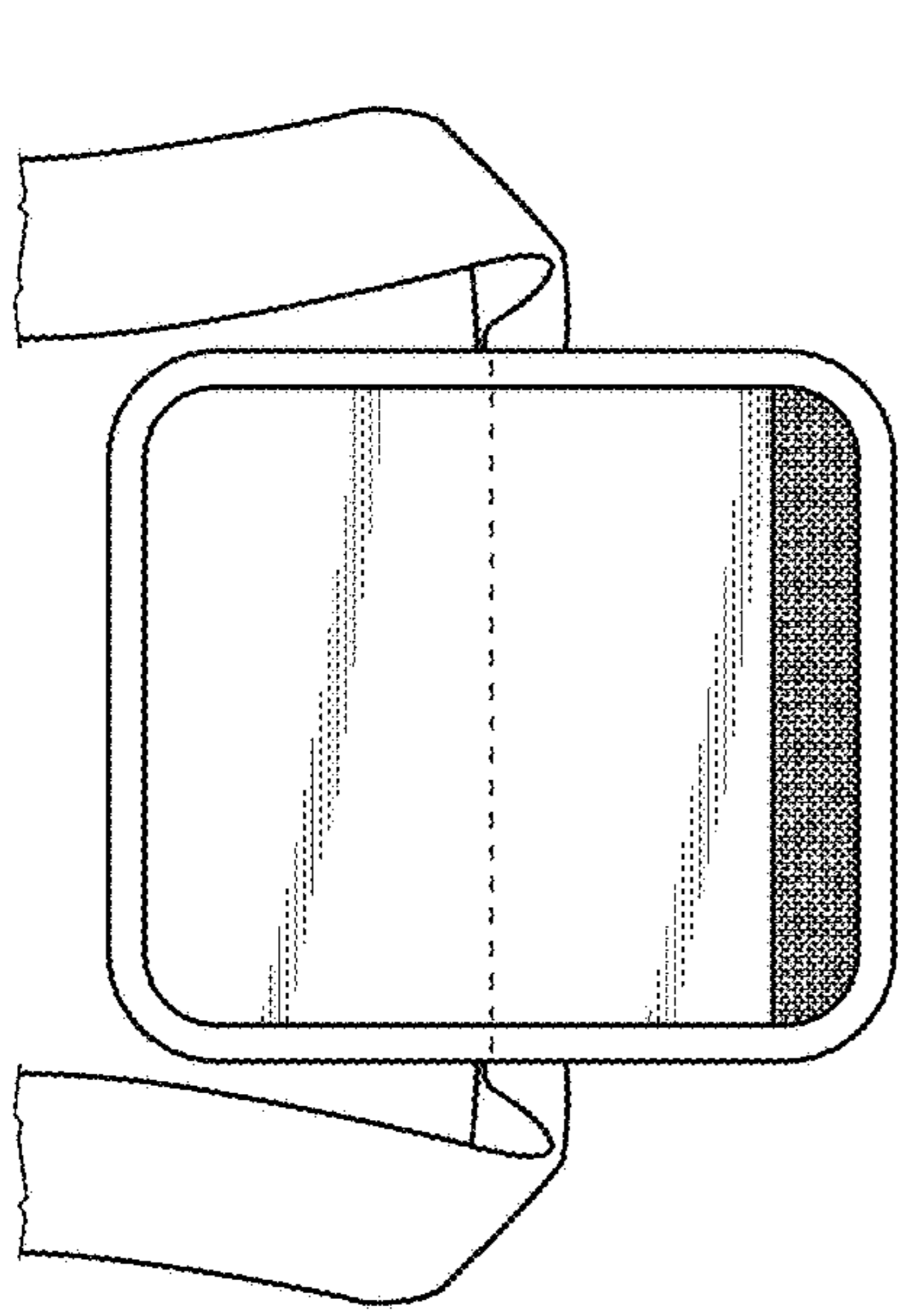
Fig.4



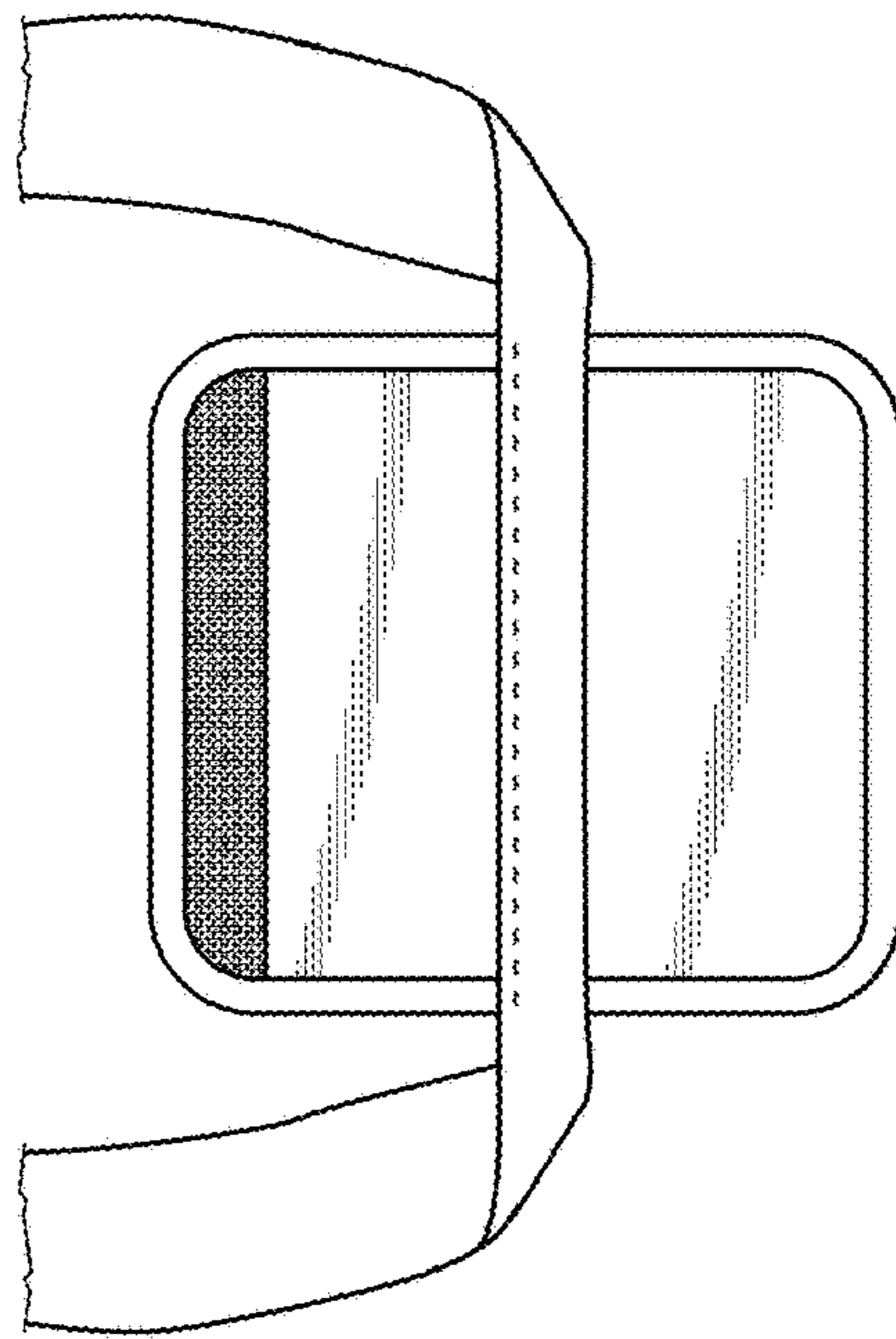


*Fig. 6*

*Fig. 7*



*Fig. 8*



*Fig. 9*