



US00D886538S

(12) **United States Design Patent**
Jacobsen

(10) **Patent No.:** **US D886,538 S**

(45) **Date of Patent:** **** Jun. 9, 2020**

(54) **COOLER WITH STRAP HANDLES AND WRAP-AROUND CLOSURE**

(71) Applicant: **RTIC OUTDOORS, LLC**, Houston, TX (US)

(72) Inventor: **James Matthew Jacobsen**, Houston, TX (US)

(73) Assignee: **RTIC OUTDOORS, LLC**, Houston, TX (US)

(**) Term: **15 Years**

(21) Appl. No.: **29/674,482**

(22) Filed: **Dec. 21, 2018**

(51) **LOC (12) Cl.** **07-01**

(52) **U.S. Cl.**

USPC **D7/607; D7/605**

(58) **Field of Classification Search**

USPC D7/603–608, 709, 710, 629; D3/283, D3/287, 289, 233, 267, 268, 273, 276, D3/315, 318

CPC F25D 2331/804; F25D 2331/801; F25D 3/08; B65D 30/08; B65D 30/22; B65D 81/3858; B65D 81/3828; B65D 81/3888; B65D 81/18; B65D 81/3897; B65D 31/04;

(Continued)

(56) **References Cited**

U.S. PATENT DOCUMENTS

D195,812 S 8/1963 James
3,225,983 A 12/1965 Majka

(Continued)

OTHER PUBLICATIONS

'amazon.com' [online]. "Arctic Zone Pro 30 (24+6) Can Zipperless Cooler," Published on or before Dec. 28, 2017, Retrieved from the

Internet: URL<https://www.amazon.com/Arctic-Zone-Pro-Zipperless-Cooler/dp/B00L2KV718/ref=sr_1_90?ie=UTF8&qid=1521954820&sr=8-90&keywords=lunch+box+cooler>. 9 pages.

(Continued)

Primary Examiner — Terry A Wallace

(74) *Attorney, Agent, or Firm* — Fish & Richardson P.C.

(57) **CLAIM**

The ornamental design for a cooler with strap handles and wrap-around closure, as shown and described.

DESCRIPTION

FIG. 1 is a perspective view of a cooler with strap handles and wrap-around closure showing my new design in a closed position.

FIG. 2 is a top view of the cooler with strap handles and wrap-around closure in a closed position.

FIG. 3 is a bottom view of the cooler with strap handles and wrap-around closure in a closed position.

FIG. 4 is a front view of the cooler with strap handles and wrap-around closure in a closed position.

FIG. 5 is a rear view of the cooler with strap handles and wrap-around closure in a closed position.

FIG. 6 is a right side view of the cooler with strap handles and wrap-around closure in a closed position.

FIG. 7 is a left side view of the cooler with strap handles and wrap-around closure in a closed position.

FIG. 8 is an enlarged top view of the wrap-around closure show separately for clarity of illustration only in an open position displaying a first side of a hook and loop fastener; and,

FIG. 9 is an enlarged bottom view of the wrap-around closure show separately for clarity of illustration only in an open position displaying a second side of a hook and loop fastener.

The surface shading and contour lines in the drawings represent surface and contour and do not illustrate material, surface ornamentation, or surface decoration and the broken lines in the drawings form no part of the claimed design.

1 Claim, 3 Drawing Sheets



- (58) **Field of Classification Search**
 CPC B65D 53/00; B65D 69/00; B65D 8/18;
 A45C 11/20; A45C 13/02; A45F 3/02;
 A45F 3/12; A45F 3/14; A45F 3/04; A45F
 4/02

See application file for complete search history.

(56) **References Cited**

U.S. PATENT DOCUMENTS

3,734,336 A 5/1973 Rankow et al.
 3,905,526 A 9/1975 Tomatsuri
 4,050,264 A * 9/1977 Tanaka F25D 3/08
 62/457.2
 4,119,248 A 10/1978 Butler et al.
 4,537,313 A * 8/1985 Workman A47J 47/145
 206/545
 D280,864 S 10/1985 Allen
 D284,333 S 6/1986 Huston
 D284,623 S 7/1986 Gerch
 4,805,776 A * 2/1989 Namgyal A45C 3/00
 206/523
 D311,452 S 10/1990 Ehret
 D311,476 S * 10/1990 Kumakura D7/605
 4,978,044 A 12/1990 Silver
 D313,316 S 1/1991 Nordstrom
 D340,621 S 10/1993 Melk
 D340,840 S 11/1993 Melk
 D351,945 S 11/1994 Kopel
 D361,665 S 8/1995 Izumi
 D371,052 S 6/1996 Melk
 D371,907 S 7/1996 Cyr et al.
 D371,942 S * 7/1996 Lippincott D7/607
 D387,626 S 12/1997 Melk
 D390,004 S 2/1998 Tawil
 D403,161 S 12/1998 Lin
 D406,013 S 2/1999 Yousko et al.
 D425,699 S 5/2000 Lau
 D429,562 S 8/2000 Lau
 D434,282 S 11/2000 Daw
 6,238,091 B1 5/2001 Mogil et al.
 D450,187 S 11/2001 King
 D459,876 S 7/2002 Smith
 D461,633 S 8/2002 Guyon
 D465,134 S 11/2002 Joss
 6,474,097 B2 11/2002 Treppedi et al.
 6,666,363 B2 12/2003 Godshaw et al.
 D492,115 S 6/2004 Bertelsen et al.
 D516,870 S 3/2006 Martinez et al.
 7,162,890 B2 * 1/2007 Mogil A45C 11/20
 62/457.7
 7,240,513 B1 7/2007 Conforti
 D573,422 S 7/2008 Tagliati et al.
 7,540,363 B2 6/2009 Tonelli
 7,669,436 B2 3/2010 Mogil et al.
 7,730,739 B2 * 6/2010 Fuchs A45C 11/20
 62/457.7
 D618,966 S 7/2010 Koehler et al.
 D628,382 S 12/2010 Niehaus et al.
 D636,184 S 4/2011 Scicluna et al.
 D637,809 S 5/2011 Meldeau
 D668,456 S 10/2012 Du
 8,281,950 B2 10/2012 Potts et al.
 D673,994 S 1/2013 Geller
 8,348,510 B2 1/2013 Mogil
 D691,796 S 10/2013 Stewart
 D692,661 S 11/2013 Gupton
 8,899,071 B2 12/2014 Mogil et al.
 D722,233 S 2/2015 Inskeep
 D724,318 S 3/2015 Myer
 D725,900 S 4/2015 McCue et al.
 D726,407 S 4/2015 Kuster
 D730,043 S 5/2015 Morelli
 D732,348 S 6/2015 Seiders et al.
 D732,349 S 6/2015 Seiders et al.
 D732,350 S 6/2015 Seiders et al.

D732,899 S 6/2015 Seiders et al.
 9,078,501 B2 7/2015 Johnson
 D752,347 S 3/2016 Seiders et al.
 D762,384 S 8/2016 Boroski
 9,408,445 B2 8/2016 Mogil et al.
 D768,378 S 10/2016 Schilp
 9,491,994 B2 11/2016 Sherr
 D786,559 S 5/2017 Seiders et al.
 D786,560 S 5/2017 Seiders et al.
 D786,561 S 5/2017 Seiders et al.
 D786,562 S 5/2017 Seiders et al.
 D787,187 S 5/2017 Seiders et al.
 D790,933 S 7/2017 Solly
 D797,454 S 9/2017 Seiders et al.
 D797,455 S 9/2017 Seiders et al.
 D798,670 S 10/2017 Seiders et al.
 D799,276 S 10/2017 Seiders et al.
 D799,277 S 10/2017 Seiders et al.
 D800,444 S 10/2017 Burton et al.
 D801,123 S 10/2017 Seiders et al.
 D802,373 S 11/2017 Seiders et al.
 D805,851 S 12/2017 Sullivan et al.
 D808,655 S 1/2018 Seiders et al.
 D808,730 S 1/2018 Sullivan et al.
 D814,879 S 4/2018 Larson et al.
 D815,496 S 4/2018 Larson et al.
 D829,244 S 9/2018 Sullivan et al.
 D835,473 S 12/2018 Jacobsen
 D835,950 S 12/2018 Jacobsen
 D836,999 S 1/2019 Jacobsen
 D837,000 S 1/2019 Jacobsen
 D837,001 S 1/2019 Jacobsen
 D840,761 S 2/2019 Seiders et al.
 D840,762 S 2/2019 Seiders et al.
 D840,763 S 2/2019 Seiders et al.
 D840,764 S 2/2019 Seiders et al.
 D855,994 S 8/2019 Munie
 D859,934 S 9/2019 Seiders et al.
 D862,177 S 10/2019 Seiders et al.
 D862,528 S 10/2019 Sullivan et al.
 D869,151 S 12/2019 Jacobsen
 2005/0205459 A1 9/2005 Mogil et al.
 2007/0237432 A1 10/2007 Mogil et al.
 2009/0049859 A1 2/2009 Moon
 2010/0320248 A1 12/2010 Uimonen
 2013/0140120 A1 6/2013 Rasmussen
 2013/0188892 A1 7/2013 Bevier
 2013/0216158 A1 8/2013 Meldeau et al.
 2016/0029764 A1 2/2016 Hayashi
 2016/0355319 A1 12/2016 Stephens

OTHER PUBLICATIONS

'amazon.com' [online]. "Arctic Zone Titan Deep Freeze 16 Can Zipperless Cooler, Silver," Published on or before Dec. 28, 2017, Retrieved from the Internet: URL<https://www.amazon.com/Arctic-Zone-Freeze-Zipperless-Cooler/dp/B01ALB94XG/ref=sr_1_4?ie=UTF8&qid=1521960036&sr=8-4&keywords=soft+cooler>. 9 pages.
 'amazon.com' [online]. "Carhartt Deluxe Dual Compartment Insulated Lunch Cooler Bag, Carhartt Brown," Published on or before Dec. 28, 2017, Retrieved from the Internet: URL<https://www.amazon.com/Carhartt-Deluxe-Compartment-Insulated-Cooler/dp/B06XFY5NZW/ref=sr_1_112?ie=UTF8&qid=1521960216&sr=8-112&keywords=soft+cooler>. 8 pages.
 'amazon.com' [online]. "CleverMade SnapBasket 50 Can, Soft-Sided Collapsible Cooler: 30 Liter Insulated Tote Bag, Heathered Charcoal/Black," Published on or before Dec. 28, 2017, Retrieved from the Internet: URL<https://www.amazon.com/dp/B01KPW8ZEK/ref=sxbs_sxwds-stvp_2?pf_rd_m=ATVPDKIKX0DER&pf_rd_p=3524794222&pd_rd_wg=R91ap&pf_rd_r=MH3XSP5C48FB13B0DT59&pf_rd_s=desktop-sx-bottom-slot&pf_rd_t=301&pd_rd_i=B01KPW8ZEK&pd_rd_w=1rbfg&pf_rd_i=lunch+cooler&pd_rd_r=cc195352-c294-4136-a913-02986e057810&ie=UTF8&qid=1521955928&sr=2>. 9 pages.
 'amazon.com' [online]. "COARA Insulated Lunch Bag, Reusable Lunch Tote Bag, Lunch Cooler Bag with Detachable Shoulder Strap

(56)

References Cited

OTHER PUBLICATIONS

and Soft Handle, Black,” Published on or before Dec. 28, 2017, Retrieved from the Internet: URL<https://www.amazon.com/COARA-Insulated-Reusable-Detachable-Shoulder/dp/B074CHJZKY/ref=sr_1_238?ie=UTF8&qid=1521958409&sr=8-238&keywords=soft+side+cooler>. 7 pages.

‘amazon.com’ [online]. “Fanmaous Lunch Box Insulated Lunch Bag Large Cooler Tote Bag Drinks Bottle Box Thermal Lunch Bags for Adult Men Women Car Picnic Camping Family ,Double Deck Cooler(18L/Khaki),” Published on or before Dec. 28, 2017, Retrieved from the Internet: URL<https://www.amazon.com/Fanmaous-Insulated-Cooler-Thermal-Camping/dp/B07219PS3P/ref=sr_1_205?ie=UTF8&qid=1521954988&sr=8-205&keywords=lunch+box+cooler>. 11 pages.

‘amazon.com’ [online]. “Fit & Fresh Insulated Large Soft Cooler Lunch Bag, 18 Can Capacity—Adjustable Shoulder Strap, Zipper Closure, Leakproof Lining (Black),” Published on or before Dec. 28, 2017, Retrieved from the Internet: URL<https://www.amazon.com/Fit-Fresh-Insulated-Cooler-Capacity/dp/B075Z5SDWF/ref=sr_1_45?ie=UTF8&qid=1521958176&sr=8-45&keywords=soft+side+cooler>. 7 pages.

‘amazon.com’ [online]. “Glotoch Large Meal Prep Bag Cooler Bag Insulated Lunch Bag Box,” Published on or before Dec. 28, 2017, Retrieved from the Internet: URL<https://www.amazon.com/Glotoch-Large-Cooler-Insulated-Lunch/dp/B06XHL9KYK/ref=pd_sbs_79_54?_encoding=UTF8&pd_rd_i=B06XHL9KYK&pd_rd_r=0Z6F6Q93TVPCBSMDB909&pd_rd_w=qjXIQ&pd_rd_wg=kPbDP&psc=1&refRID=0Z6F6Q93TVPCBSMDB909>. 8 pages.

‘amazon.com’ [online]. “Homitt Soft Cooler, 30 Can Soft Pack Cooler Insulated Soft Sided Cooler with Heavy Duty Waterproof TPU Material for Taking Lunch, Camping, Sea Fishing, Daily Trip to Beach, Family Picnic,” Published on or before Dec. 28, 2017, Retrieved from the Internet: URL<https://www.amazon.com/Homitt-Insulated-Waterproof-Material-Camping/dp/B06ZZ36L69/ref=sr_1_69?ie=UTF8&qid=1521955981&sr=8-69&keywords=lunch+cooler>. 11 pages.

‘amazon.com’ [online]. “Insulated Cooler Lunch Bag—Multiple Storage Pockets—For Work and Family Outings by Cozy Bear (Gray with Blue Trim),” Published on or before Dec. 28, 2017, Retrieved from the Internet: URL<https://www.amazon.com/Insulated-Cooler-Lunch-Bag-Multiple/dp/B06Y43TXGR/ref=sr_1_67?ie=UTF8&qid=1521954791&sr=8-67&keywords=lunch+box+cooler>. 7 pages.

‘amazon.com’ [online]. “Insulated Lunch Bag (Black)—Freezer Safe, Nylon Durability, Zip Closure—Cooler Lunch Bag for Men, Women and Kids—Locks in Heat & Cold,” Published on or before Dec. 28, 2017, Retrieved from the Internet: URL<https://www.amazon.com/dp/B01CHUNW1O/ref=sxbs_sxwds-stppvp_2?pf_rd_m=ATVPDKIKXODER&pf_rd_p=3467859002&pd_rd_wg=WWKeX&pf_rd_r=91C75BZJFGPGM1FQT6G3&pf_rd_s=desktop-sx-bottom-slot&pf_rd_t=301&pd_rd_i=B01CHUNW1O&pd_rd_w=JfJT8&pf_rd_i=soft+side+cooler&pd_rd_r=7598837a-217c-4db9-92d7-0071ac2027db&ie=UTF8&qid=1521958176&sr=2>. 10 pages.

‘amazon.com’ [online]. “Insulated Lunch Cooler Bag: InsigniaX Adult Lunch Box For Work, Men, Women With Adjustable Strap, Front Pocket and Side Pocket [Unisex Lunch Bags] H: 8.4"×W: 6.3"×L:9.1" (Black & Red),” Published on or before Dec. 28, 2017, Retrieved from the Internet: URL<https://www.amazon.com/dp/B01ADKNF7Q/ref=sspa_dk_detail_3?psc=1&pd_rd_i=B01ADKNF7Q&pd_rd_wg=kPbDP&pd_rd_r=0Z6F6Q93TVPCBSMDB909&pd_rd_w=gthct>. 10 pages.

‘amazon.com’ [online]. “Insulated Lunch Cooler Bag Detachable Shoulder Strap—2 Way Closure Zippers Safe Thermal Tote with Side Pocket and Large Back Pocket for Adults Men Women,” Published on or before Dec. 28, 2017, Retrieved from the Internet: URL<https://www.amazon.com/Insulated-Lunch-Cooler-Detachable-Shoulder/dp/B0752B5MP7/ref=pd_sbs_79_21?_encoding=UTF8&pd_rd_i=B0752B5MP7&pd_rd_r=0Z6F6Q93TVPCBSMDB909&pd_rd_w=qjXIQ&pd_rd_wg=kPbDP&psc=1&refRID=0Z6F6Q93TVPCBSMDB909>. 9 pages.

‘amazon.com’ [online]. “KOSOX 30-Can Collapsible Cooler Bag, Large Capacity Multi Pockets Thermal Insulated Waterproof Soft Cooler Tote for Outdoor Picnic Camping Fishing Travel,” Published on or before Dec. 28, 2017, Retrieved from the Internet: URL<https://www.amazon.com/KOSOX-Collapsible-Capacity-Insulated-Waterproof/dp/B075FRJ5MC/ref=sr_1_210?ie=UTF8&qid=1521958361&sr=8-210&keywords=soft+side+cooler>. 7 pages.

‘amazon.com’ [online]. “Large Heavy Duty Insulated Lunch Bag Cooler Bag For Men and Women (Black and Gray) Overwake Original,” Published on or before Dec. 28, 2017, Retrieved from the Internet: URL<https://www.amazon.com/Large-Insulated-Cooler-Overwake-Original/dp/B074YWLFYK/ref=pd_sbs_79_27?_encoding=UTF8&pd_rd_i=B074YWLFYK&pd_rd_r=0Z6F6Q93TVPCBSMDB909&pd_rd_w=qjXIQ&pd_rd_wg=kPbDP&psc=1&refRID=0Z6F6Q93TVPCBSMDB909>. 7 pages.

‘amazon.com’ [online]. “Large Insulated Lunch Bag Cooler Tote With 2 Reusable Cooler Ice Packs Easy Pull Zippers, Detachable Shoulder Strap, Roomy Compartments for Lunch Box, Bottles, Containers, Travel, Camping & More,” Published on or before Dec. 28, 2017, Retrieved from the Internet: URL<https://www.amazon.com/dp/B074Q3S8BC/ref=sxbs_sxwds-stppvp_3?pf_rd_m=ATVPDKIKXODER&pf_rd_p=3467859002&pd_rd_wg=WWKeX&pf_rd_r=91C75BZJFGPGM1FQT6G3&pf_rd_s=desktop-sx-bottom-slot&pf_rd_t=301&pd_rd_i=B074Q3S8BC&pd_rd_w=JfJT8&pf_rd_i=soft+side+cooler&pd_rd_r=7598837a-217c-4db9-92d7-0071ac2027db&ie=UTF8&qid=1521958176&sr=3>. 8 pages.

‘amazon.com’ [online]. “MIER Insulated Lunch Bag Men and Women Soft Cooler Lunch Box Tote with Shoulder Strap, Leakproof Liner, 24 Can, Black,” Published on or before Dec. 28, 2017, Retrieved from the Internet: URL<https://www.amazon.com/MIER-Insulated-Cooler-Shoulder-Leakproof/dp/B073RDMWMJ/ref=sr_1_29?ie=UTF8&qid=1521958150&sr=8-29&keywords=soft+side+cooler>. 9 pages.

‘amazon.com’ [online]. “Ramaka Solutions—Insulated Lunch Bag—Stain Resistant Nylon, 5 Compartments, Non-Toxic Liner, YKK Easy Pull Zippers, Padded Grab Handle, Adjustable Detachable Shoulder Strap Pad (Large, Black),” Published on or before Dec. 28, 2017, Retrieved from the Internet: URL<https://www.amazon.com/Ramaka-Solutions-Compartments-Adjustable-Detachable/dp/B011AVNESM/ref=pd_sbs_79_36?_encoding=UTF8&pd_rd_i=B011AVNESM&pd_rd_r=0Z6F6Q93TVPCBSMDB909&pd_rd_w=qjXIQ&pd_rd_wg=kPbDP&psc=1&refRID=0Z6F6Q93TVPCBSMDB909>. 11 pages.

‘amazon.com’ [online]. “Revival Picnic Cooler Bag—Top Polyester Insulated Picnic Lunch Cooler Tote Black W/ Large Side Pockets Carry Handle & 48" Shoulder Strap—Large Soft Cooler Insulated Picnic Bag for Grocery, Camping,” Published on or before Dec. 28, 2017, Retrieved from the Internet: URL<https://www.amazon.com/Revival-Polyester-Insulated-Pockets-Shoulder/dp/B01N9PUGXQ/ref=sr_1_82?ie=UTF8&qid=1521958230&sr=8-82&keywords=soft+side+cooler>. 9 pages.

‘amazon.com’ [online]. “Soft Cooler F40C4TMP Insulated Lunch Box Bag With Pocket Shoulder Strap 9-can,” Published on or before Dec. 28, 2017, Retrieved from the Internet: URL<https://www.amazon.com/Cooler-F40C4TMP-Insulated-Pocket-Shoulder/dp/B074M91M37/ref=sr_1_43?ie=UTF8&qid=1521958176&sr=8-43&keywords=soft+side+cooler>. 8 pages.

‘amazon.com’ [online]. “STARCARE Insulated Lunch Box Cooler Bag for Adults with Adjustable Shoulder Strap, Double Space, Oxford Fabric, Black,” Published on or before Dec. 28, 2017, Retrieved from the Internet: URL<https://www.amazon.com/STARCARE-Insulated-Cooler-Adjustable-Shoulder/dp/B071JGVCZB/ref=sr_1_115?ie=UTF8&qid=1521954863&sr=8-115&keywords=lunch+box+cooler>. 11 pages.

‘amazon.com’ [online]. “Utotebag Lunch Box Insulated Lunch Bag Cooler Bag 22cans Capacity Leakproof Tote Bag Shoulder Bag With Removable Strap Multi-pocket Outdoor for Family Beach Trip Picnic Hiking (Grey),” Published on or before Dec. 28, 2017, Retrieved from the Internet: URL<https://www.amazon.com/Utotebag-Insulated-Leakproof-Removable-Multi-pocket/dp/B073TYL9QZ/ref=sr_1_272?ie=UTF8&qid=1521958453&sr=8-272&keywords=soft+side+cooler>. 6 pages.

(56)

References Cited

OTHER PUBLICATIONS

'amazon.com' [online]. "Water Proof 30 Can Large Insulated Lunch Box Cooler Bag Romanticist Reusable Foldable Thermal Grocery Tote Bag with handle, Blue," Published on or before Dec. 28, 2017, Retrieved from the Internet: URL<https://www.amazon.com/Insulated-ROMANTICIST-Reusable-Foldable-Thermal/dp/B01M7XM3YJ/ref=sr_1_238?ie=UTF8&qid=1521955034&sr=8-238&keywords=lunch+box+cooler>. 8 pages.

'dickssportinggoods.com' [online]. "Igloo Ringleader 36 Can Square Cooler," Published on or before Dec. 28, 2017, Retrieved from the Internet: URL<<https://www.dickssportinggoods.com/p/igloo-ringleader-36-can-square-cooler-17iglurngldr36cnsodr/17iglurngldr36cnsodr>>. 3 pages.

U.S. Appl. No. 29/624,460, filed Nov. 1, 2017, Jacobsen.

U.S. Appl. No. 29/624,463, filed Nov. 1, 2017, Jacobsen.

U.S. Appl. No. 29/667,240, filed Oct. 19, 2018, Jacobsen.

'amazon.com' [online]. ""Maxpedition Hook-&-Loop 3""x5"" Zipper Pocket Organizer Pouch,"" Published on or before Oct. 31, 2017, Retrieved from the Internet: URL<https://www.amazon.com/MX3526KF-BRK-Hook-Loop-Zipper-Pocket/dp/B005MVAQXI/ref=sr_1_155?ie=UTF8&qid=1521054377&sr=8-155&keywords=zipper+pouch>. 7 pages.

'amazon.com' [online]. "N. Gil Large Travel Cosmetic Pouch Bag 2 (Stone Wash Blue)" Published on or before Oct. 31, 2017, Retrieved from the Internet: URL<https://www.amazon.com/Large-Travel-Cosmetic-Pouch-Stone/dp/B06XCYY9KL/ref=sr_1_270_a_it?ie=UTF8&qid=1521055190&sr=8-270&keywords=zipper%2Bpouch&th=1>. 7 pages.

'amazon.com' [online]. "Pencil Case, Vaschy Large Capacity Pen Holder Pouch with Double Zippers Multi Compartments Easy Organized Mesh Pockets Black," Published on or before Oct. 31, 2017, Retrieved from the Internet: URL<https://www.amazon.com/Vaschy-Capacity-Zippers-Compartments-Organized/dp/B073WW21PV/ref=sr_1_166?ie=UTF8&qid=1521054450&sr=8-166&keywords=zipper+pouch+22>. 9 pages.

'amazon.com' [online]. "ProCase Accessories Bag Organizer Power Bank Case, Electronics Accessory Travel Gear Organize Case, Cable Management Hard Drive Bag—Black," Published on or before Oct. 31, 2017, Retrieved from the Internet: URL<https://www.amazon.com/ProCase-Accessories-Organizer-Electronics-Management/dp/B01N1IUOTE/ref=sr_1_206?ie=UTF8&qid=1521054542&sr=8-206&keywords=zipper+pouch>. 10 pages.

'amazon.com' [online]. "ProCase Cosmetic Makeup Bag Brush Holder Case Organizer Beauty Storage Bag with Hand Strap Makeup Handbag for Travel and Household Storage—Black," https://www.amazon.com/ProCase-Cosmetic-Organizer-Storage-Household/dp/B076S8W75T/ref=sr_1_130_sspa?ie=UTF8&qid=1521054314&sr=8-130-spons&keywords=zipper+pouch&psc=1. 7 pages.

'amazon.com' [online]. "Travel Electronics Organizer Clear Pouch, Small Travel Accessories Bag for Chargers Headphones USB Cables & More," Published on or before Oct. 31, 2017, Retrieved from the Internet: URL<https://www.amazon.com/Electronics-Organizer-Accessories-Chargers-Headphones/dp/B075M6ZP4T/ref=sr_1_200?ie=UTF8&qid=1521054542&sr=8-200&keywords=zipper+pouch>. 7 pages.

'amazon.com' [online]. "TSA Approved Toiletry Bag—Clear Travel Bag for Men and Women to Carry On your Makeup and Toiletries (2 Pack)," Published on or before Oct. 31, 2017, Retrieved from the Internet: URL<https://www.amazon.com/TSA-Approved-Toiletry-Bag-Toiletries/dp/B074NXG4P5/ref=sr_1_19_sspa?ie=UTF8&qid=1521054094&sr=8-19-spons&keywords=zipper%2Bpouch&th=1>. 7 pages.

'personalizationmall.com' [online]. Published on or before Oct. 31, 2017, Retrieved from the Internet: URL<<https://www.personalizationmall.com/Mens-Toiletly-Bag-Embroidered-Monogram-i55523.item?productid=17382>>. 4 pages.

U.S. Appl. No. 29/674,469, filed Dec. 21, 2018, Jacobsen.

U.S. Appl. No. 29/674,518, filed Dec. 21, 2018, Jacobsen.

U.S. Appl. No. 29/667,270, filed Oct. 19, 2018, Jacobsen.

* cited by examiner

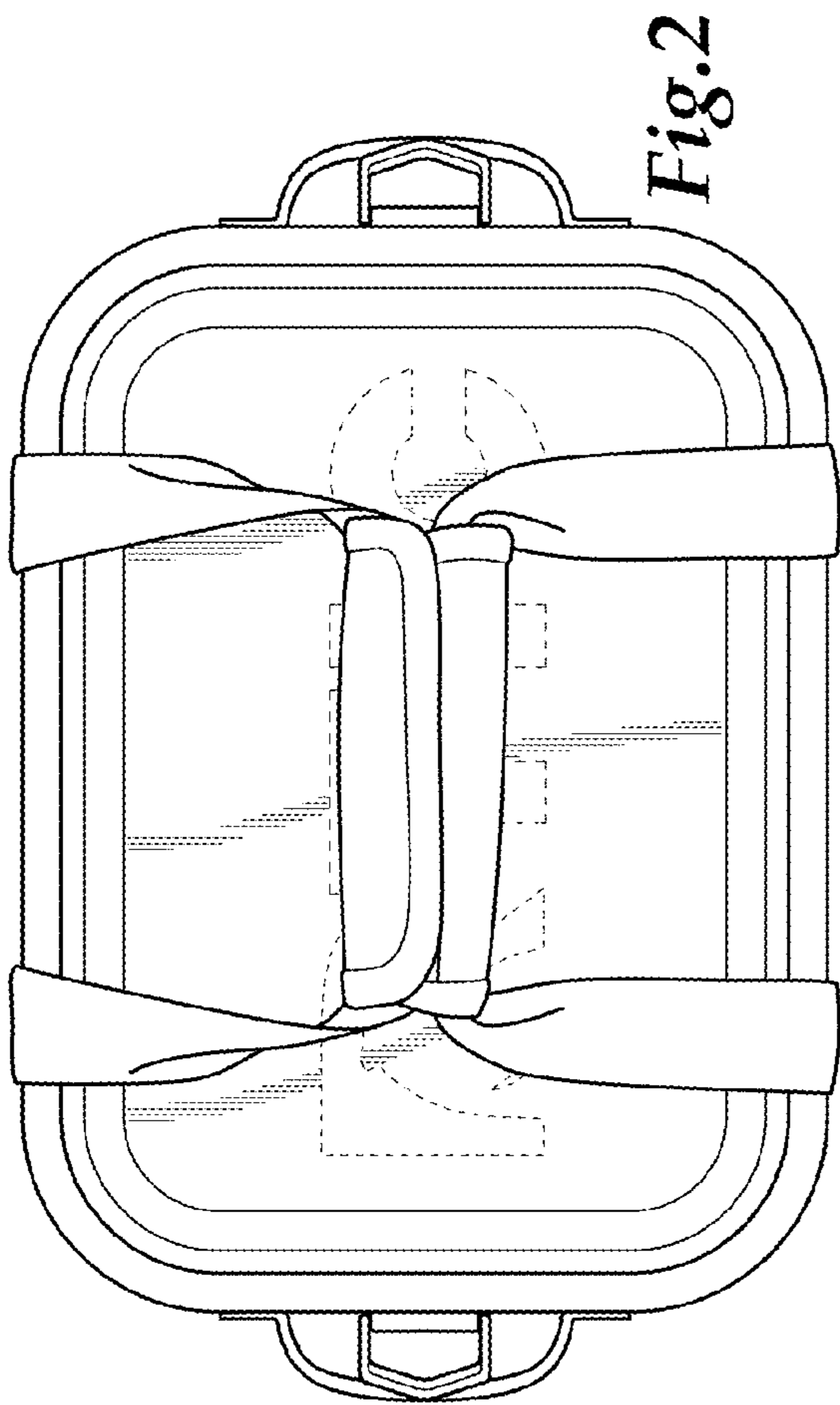


Fig. 2

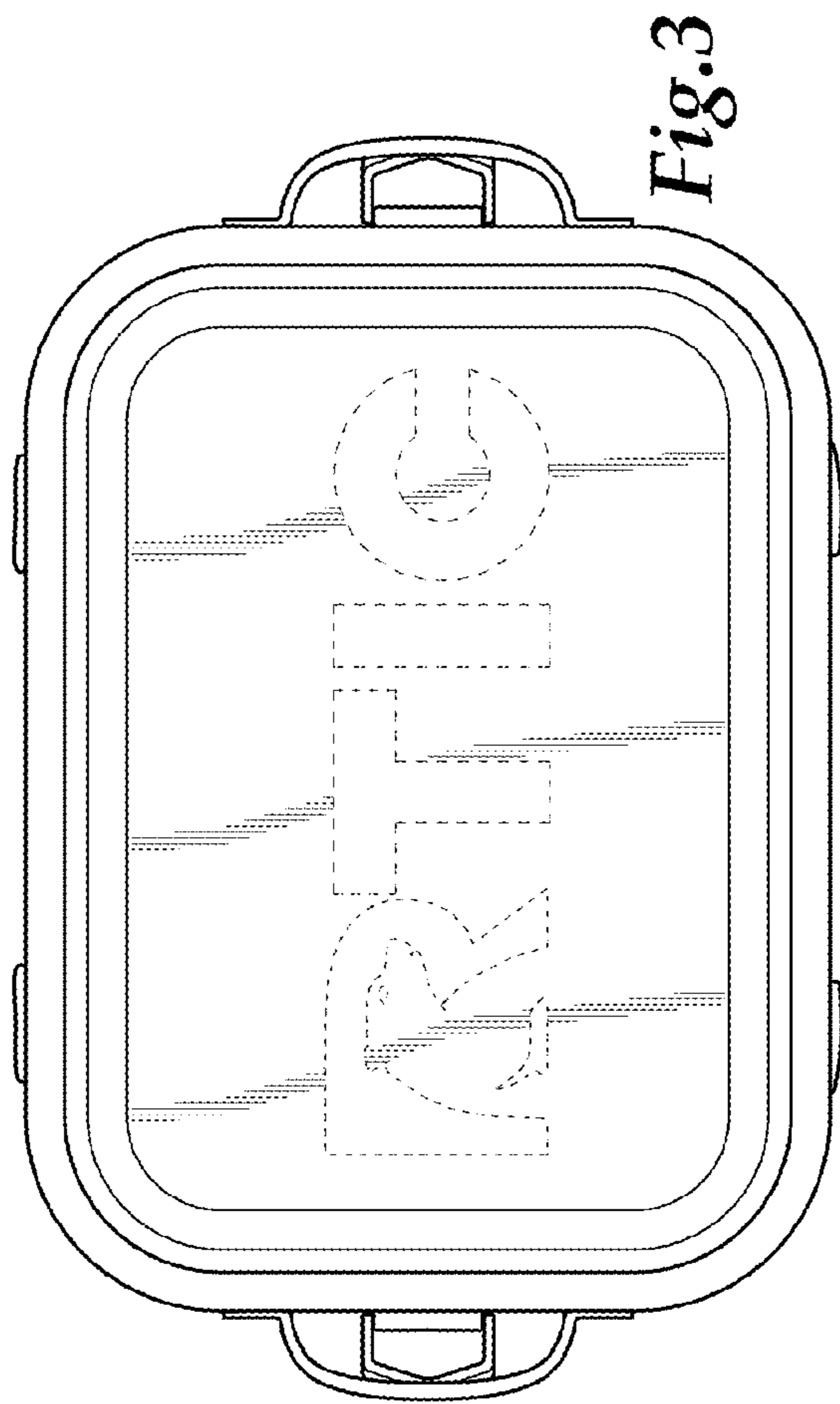


Fig. 3

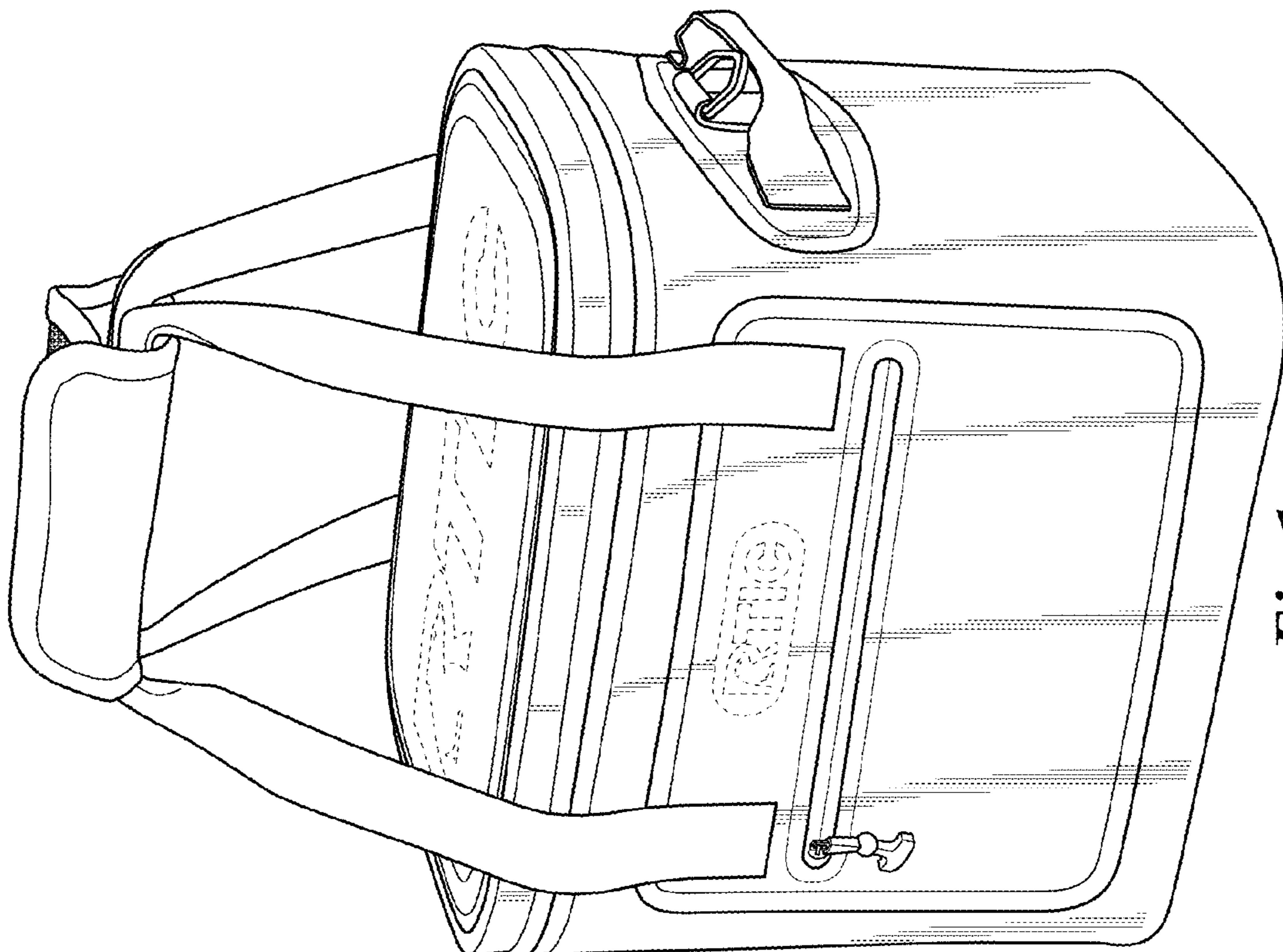


Fig. 1

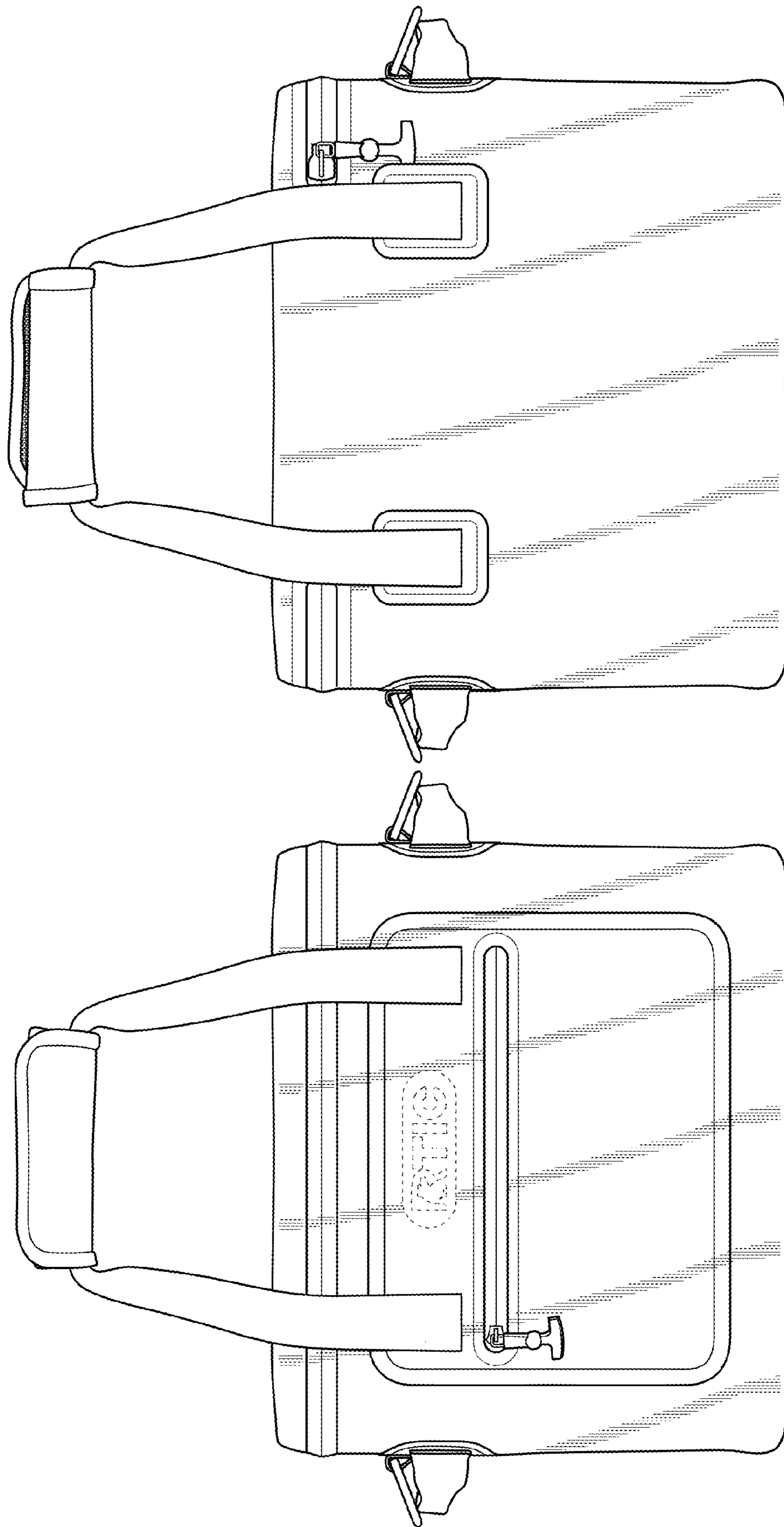


Fig. 5

Fig. 4

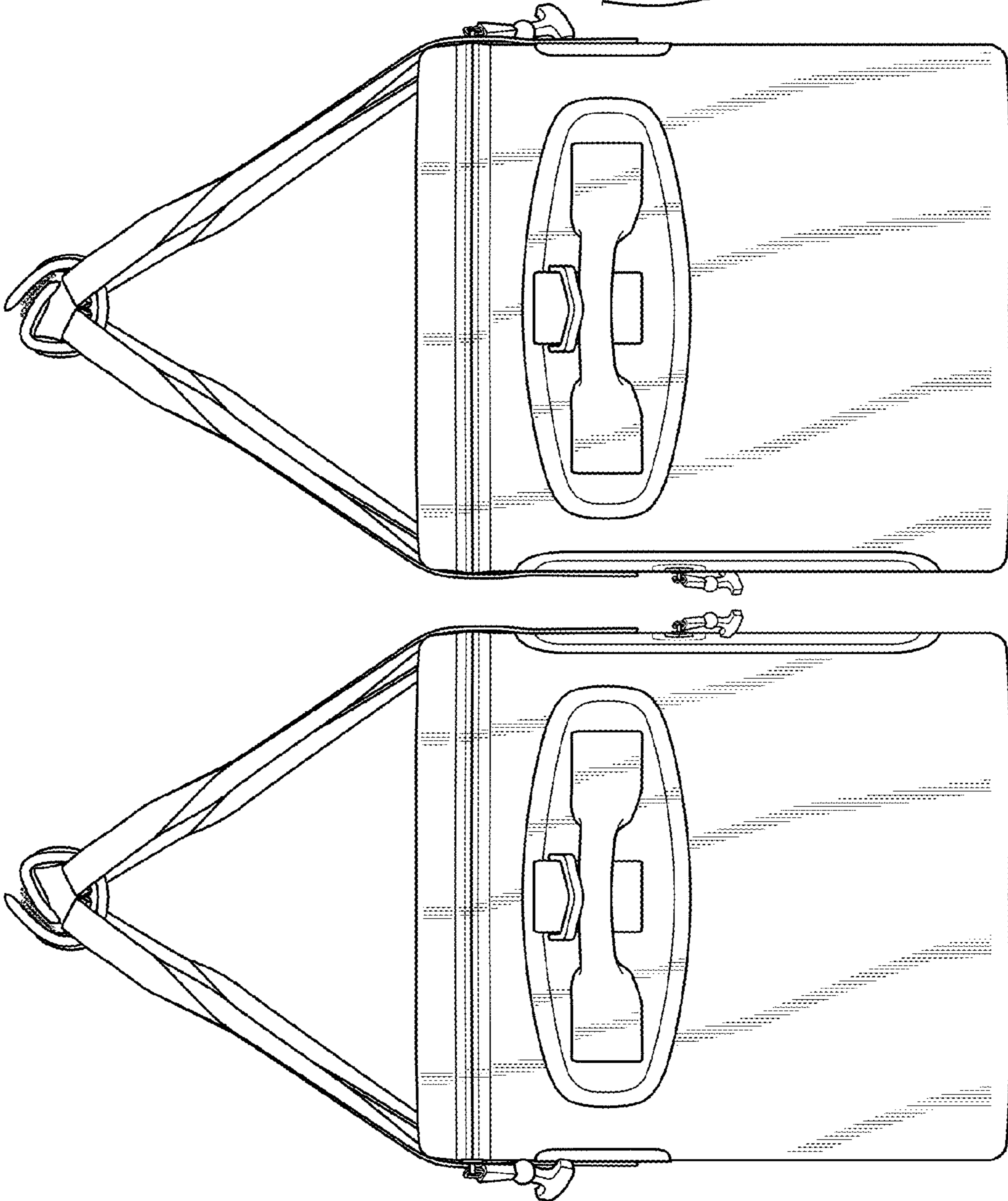


Fig. 6

Fig. 7

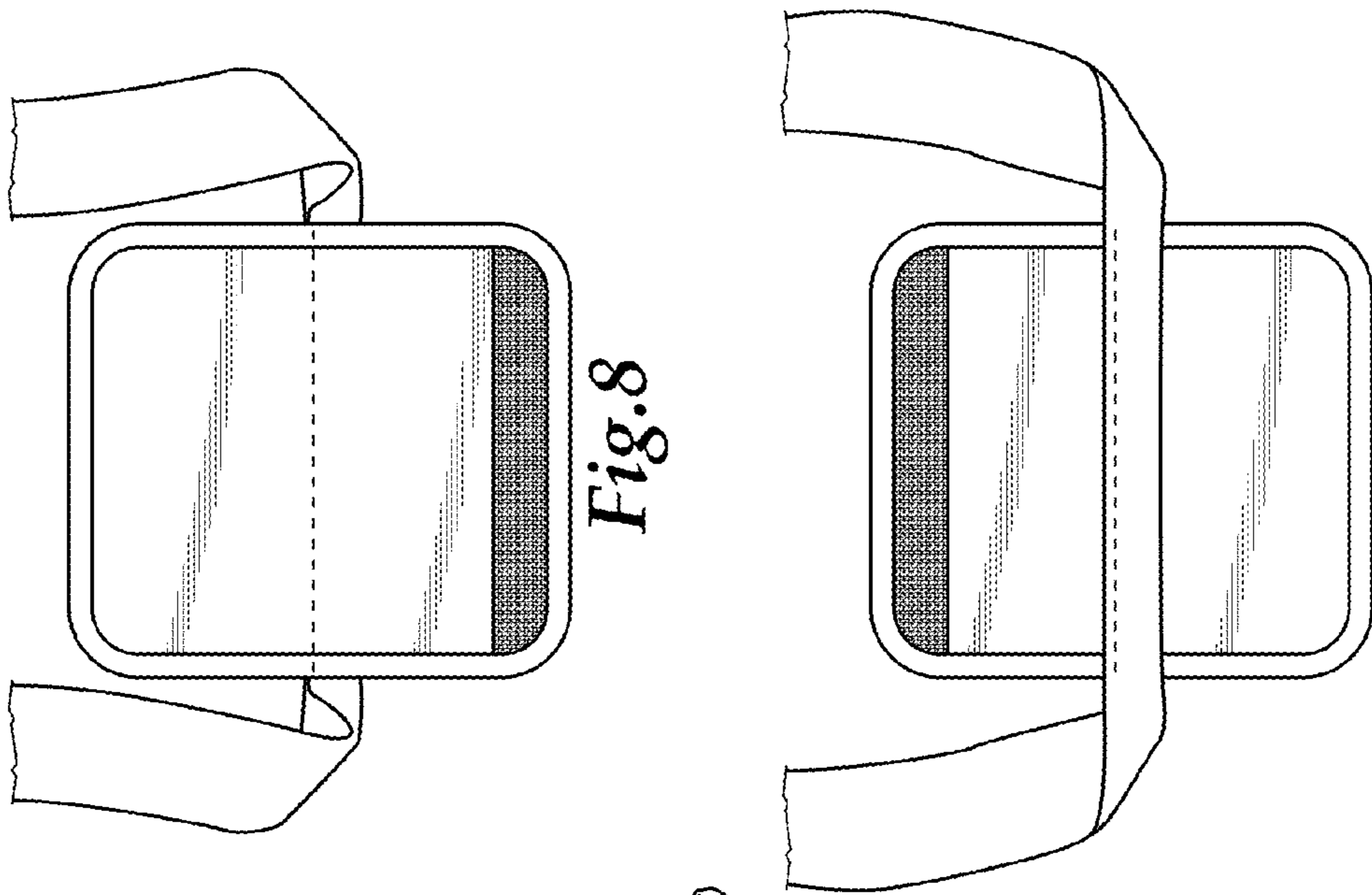


Fig. 8

Fig. 9