



US00D886536S

(12) **United States Design Patent**
Rigoli

(10) **Patent No.:** **US D886,536 S**
(45) **Date of Patent:** **** Jun. 9, 2020**

- (54) **COOLER**
- (71) Applicant: **Smart Sports Tek, Inc.**, Wrentham, MA (US)
- (72) Inventor: **Michael Rigoli**, Wrentham, MA (US)
- (73) Assignee: **Smart Sports Tek, Inc.**, Wrentham, MA (US)
- (**) Term: **15 Years**
- (21) Appl. No.: **29/666,758**
- (22) Filed: **Oct. 16, 2018**
- (51) **LOC (12) Cl.** **07-01**
- (52) **U.S. Cl.**
USPC **D7/605**
- (58) **Field of Classification Search**
USPC D7/603–608; D3/272–274, 284; D15/199
CPC B65D 81/3888; B65D 81/38; B65D 81/3813; B65D 81/3816; B65D 81/3818; B65D 81/3823; B65D 81/3858; A45C 11/20; A45C 5/14; A45C 5/03; A45C 9/00; A45F 3/46; F25D 3/02; F25D 3/04; F25D 3/06; F25D 3/08; F25D 3/11; F25D 3/14; F25D 2331/804; F25D 31/005; A47B 77/08; A47J 41/022; A47G 19/2288; B26B 3/003; F25B 19/00
See application file for complete search history.

- D415,658 S * 10/1999 Frehse D7/605
- D429,606 S * 8/2000 Israel D7/605
- D476,042 S * 6/2003 Hsieh D21/423
- 6,755,428 B2 * 6/2004 Butler A45C 9/00
280/47.26
- D516,869 S * 3/2006 Beal D21/423
- D608,158 S * 1/2010 Beal D7/605
- D613,560 S * 4/2010 Robichaud D7/605
- D649,783 S * 12/2011 Brunner D3/279
- D667,697 S * 9/2012 Shah D7/605
- 8,851,282 B2 * 10/2014 Brunner B25H 3/028
206/372
- 2014/0197059 A1 * 7/2014 Evans B25H 3/02
206/349
- 2016/0348954 A1 * 12/2016 McBeth B62B 1/20

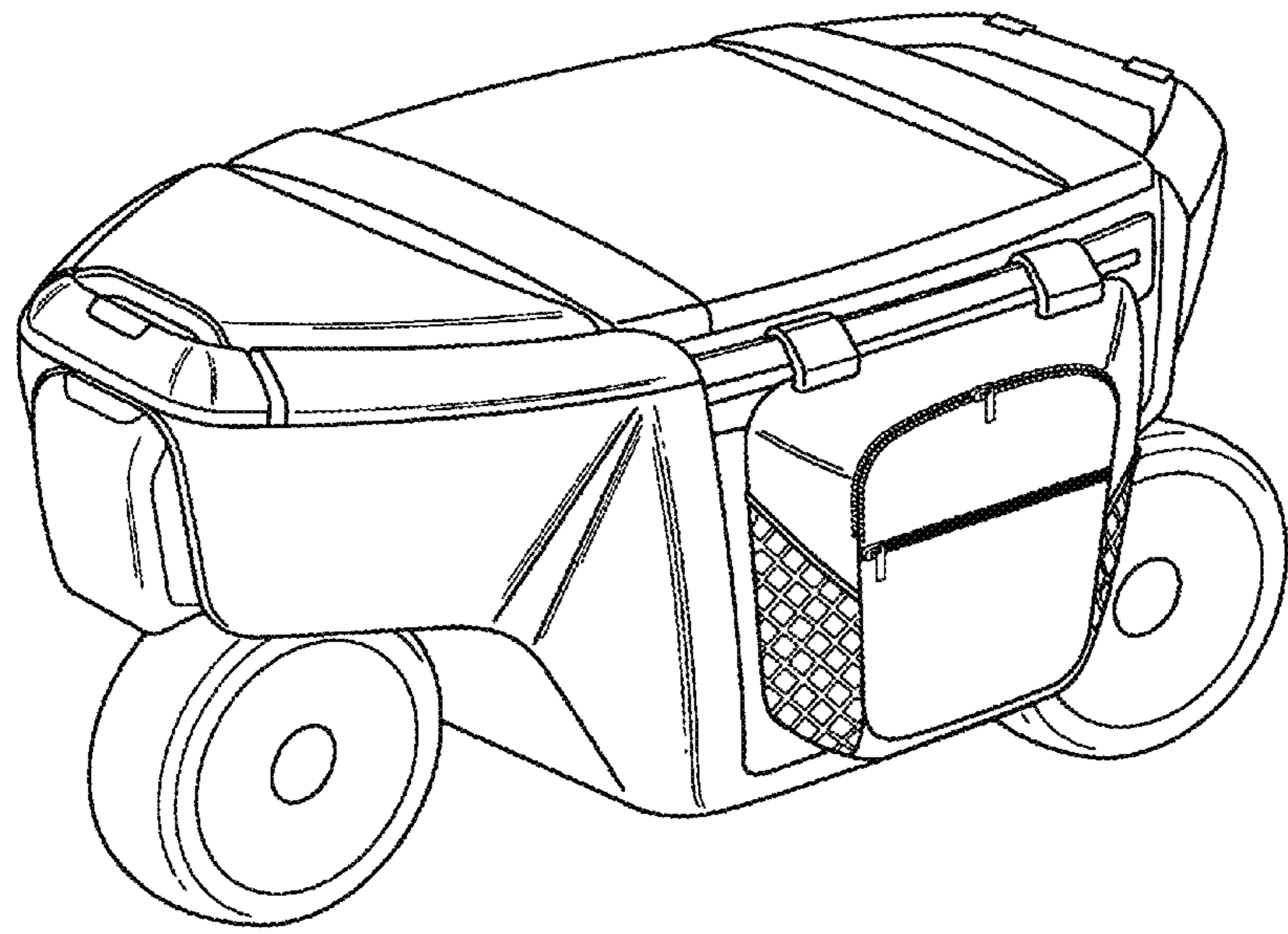
* cited by examiner
Primary Examiner — Terry A Wallace
(74) *Attorney, Agent, or Firm* — Bay State IP, LLC

(57) **CLAIM**
The ornamental design for a cooler, as shown and described.

DESCRIPTION
FIG. 1 is a front perspective view of the cooler showing my new design;
FIG. 2 is a left side view thereof;
FIG. 3 is a right side view thereof;
FIG. 4 is a top view thereof;
FIG. 5 is a bottom view thereof;
FIG. 6 is a front view thereof;
FIG. 7 is a back view thereof;
FIG. 8 is a front perspective view with a top panel in an open position;
FIG. 9 is a front perspective view with another top panel in an open position;
FIG. 10 is a front perspective view with a handle in an extended position; and,
FIG. 11 is a back perspective view with a carrying attachment removed from the cooler.

- (56) **References Cited**
U.S. PATENT DOCUMENTS
4,724,681 A * 2/1988 Bartholomew F25D 3/06
190/18 A
4,873,841 A * 10/1989 Bradshaw A45C 5/14
62/239
5,407,218 A * 4/1995 Jackson A45C 5/14
280/30

1 Claim, 6 Drawing Sheets



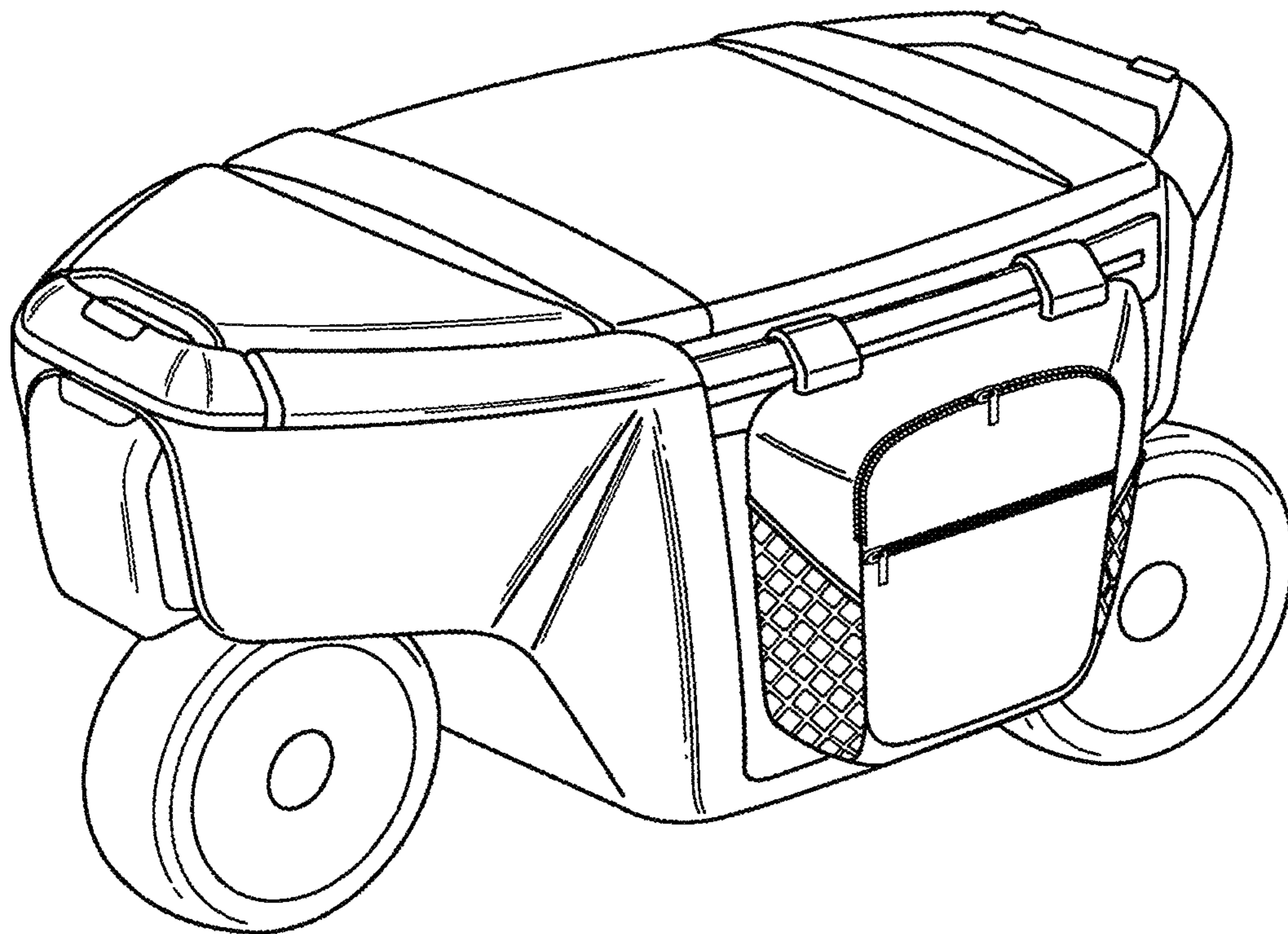


Fig. 1

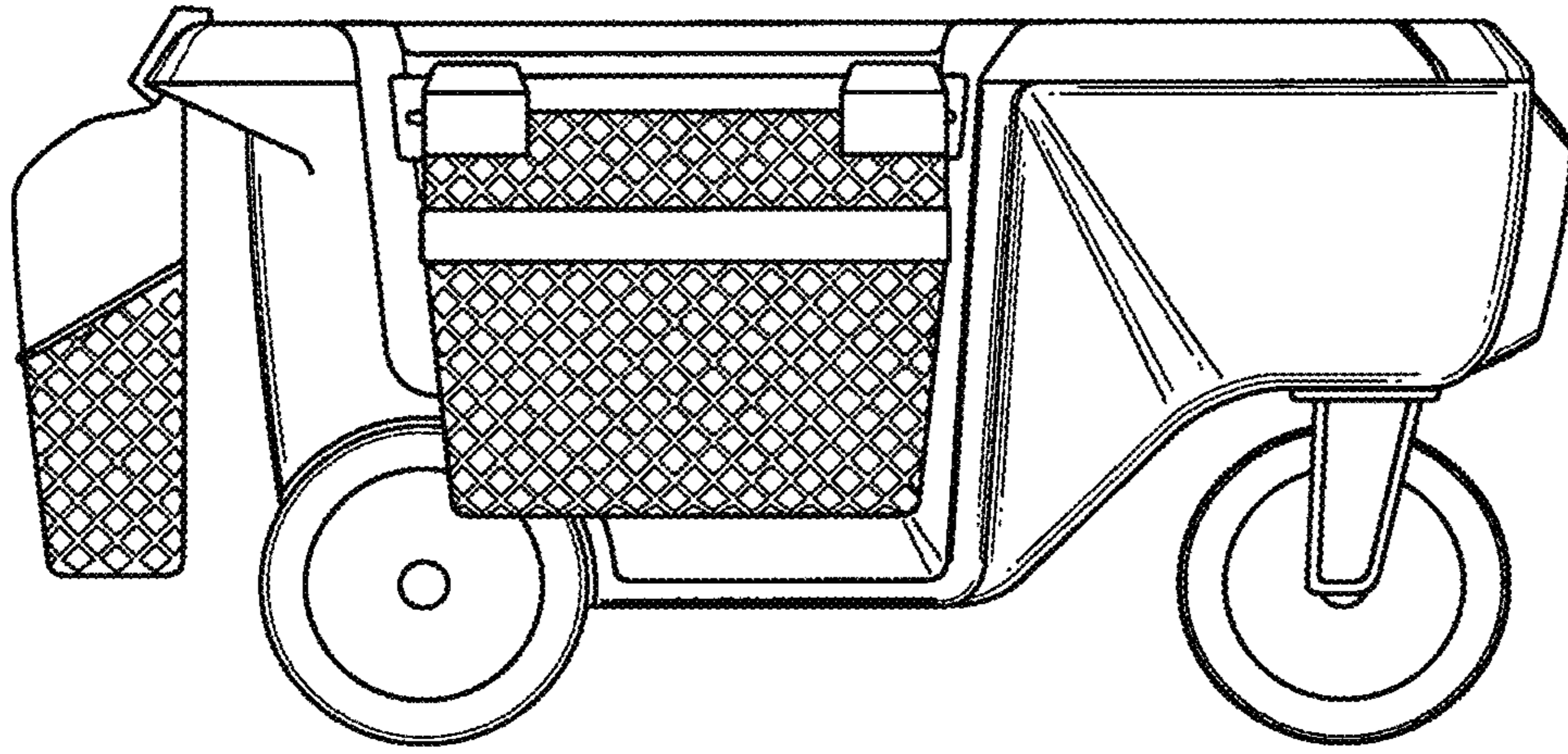


Fig. 2

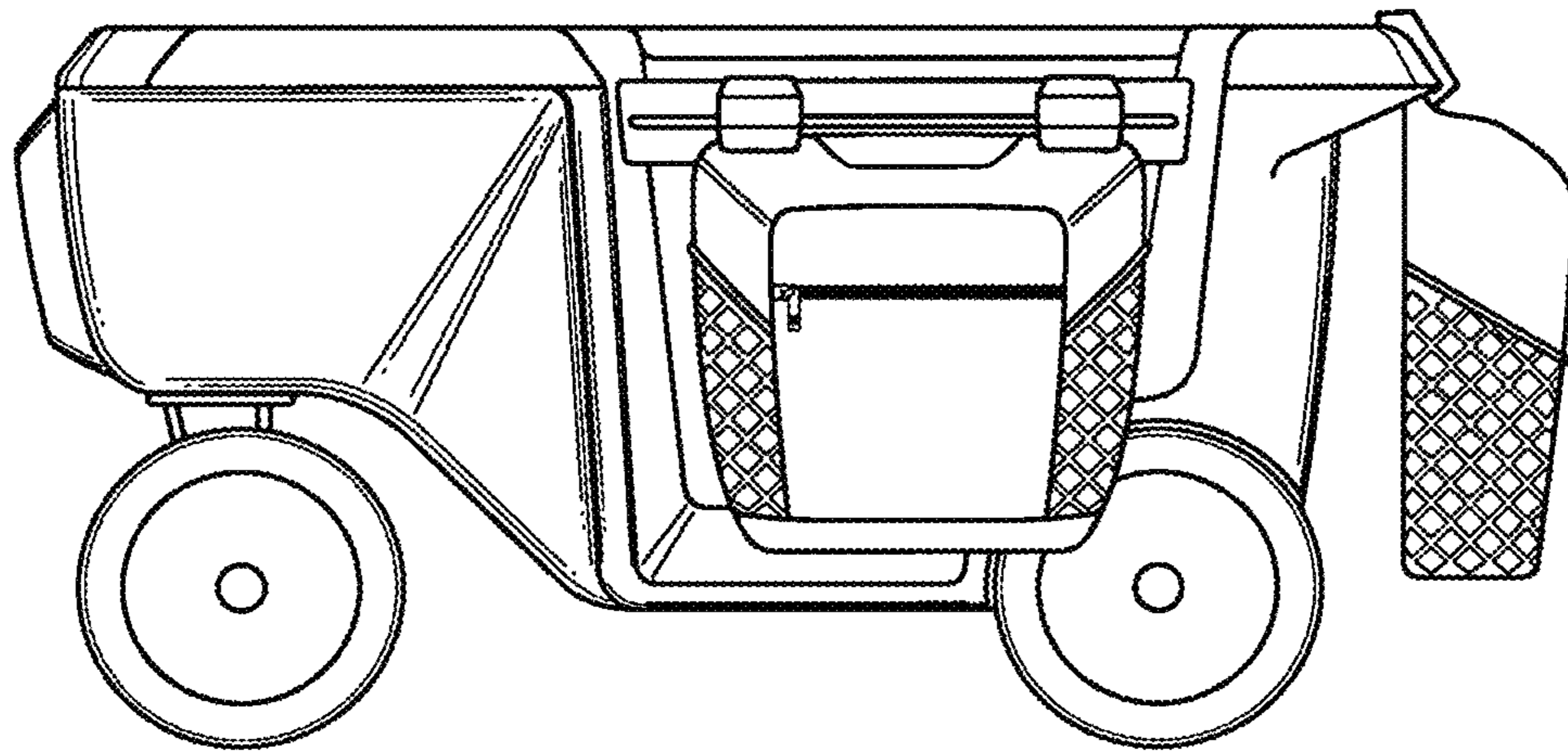


Fig. 3

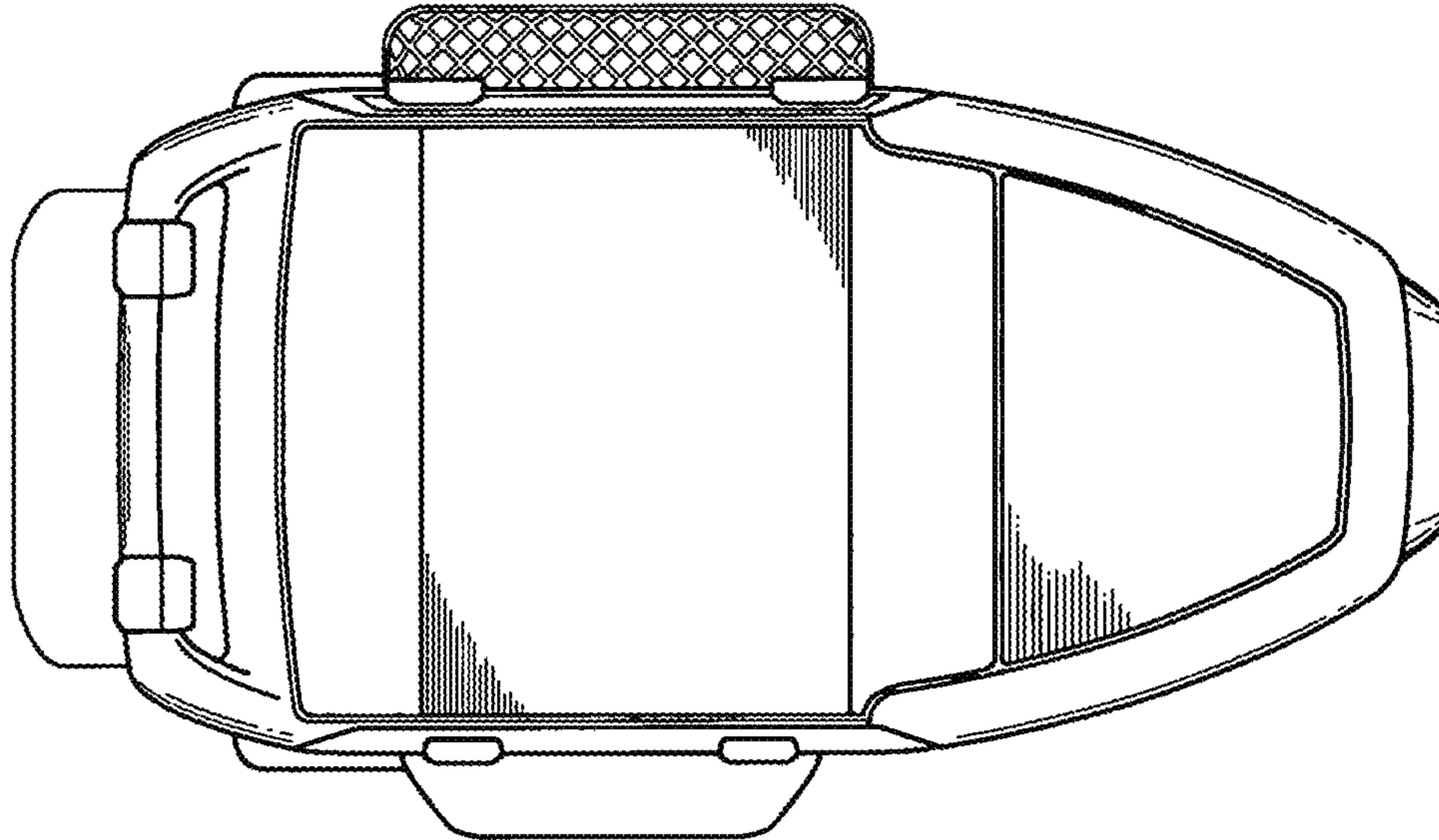


Fig. 4

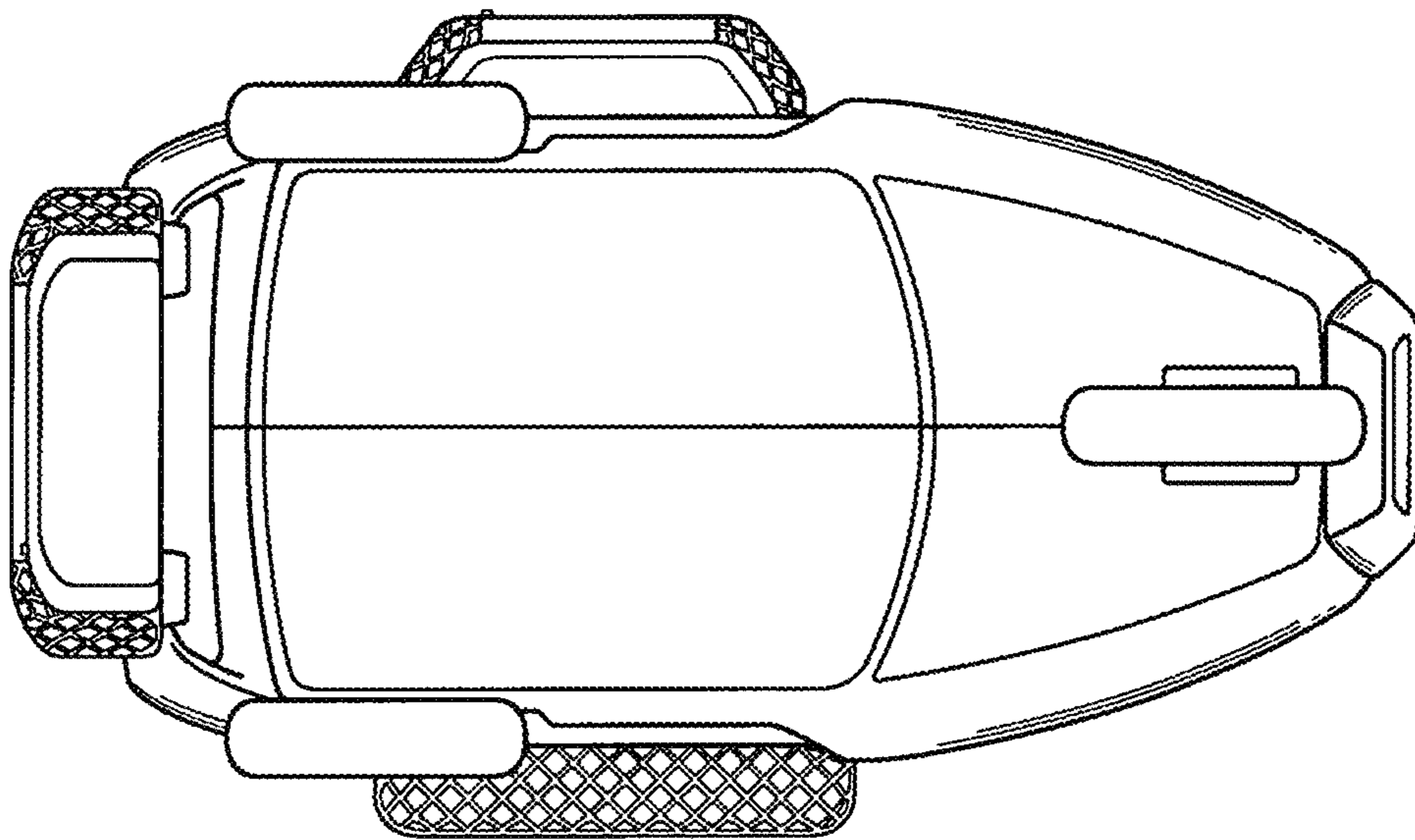


Fig. 5

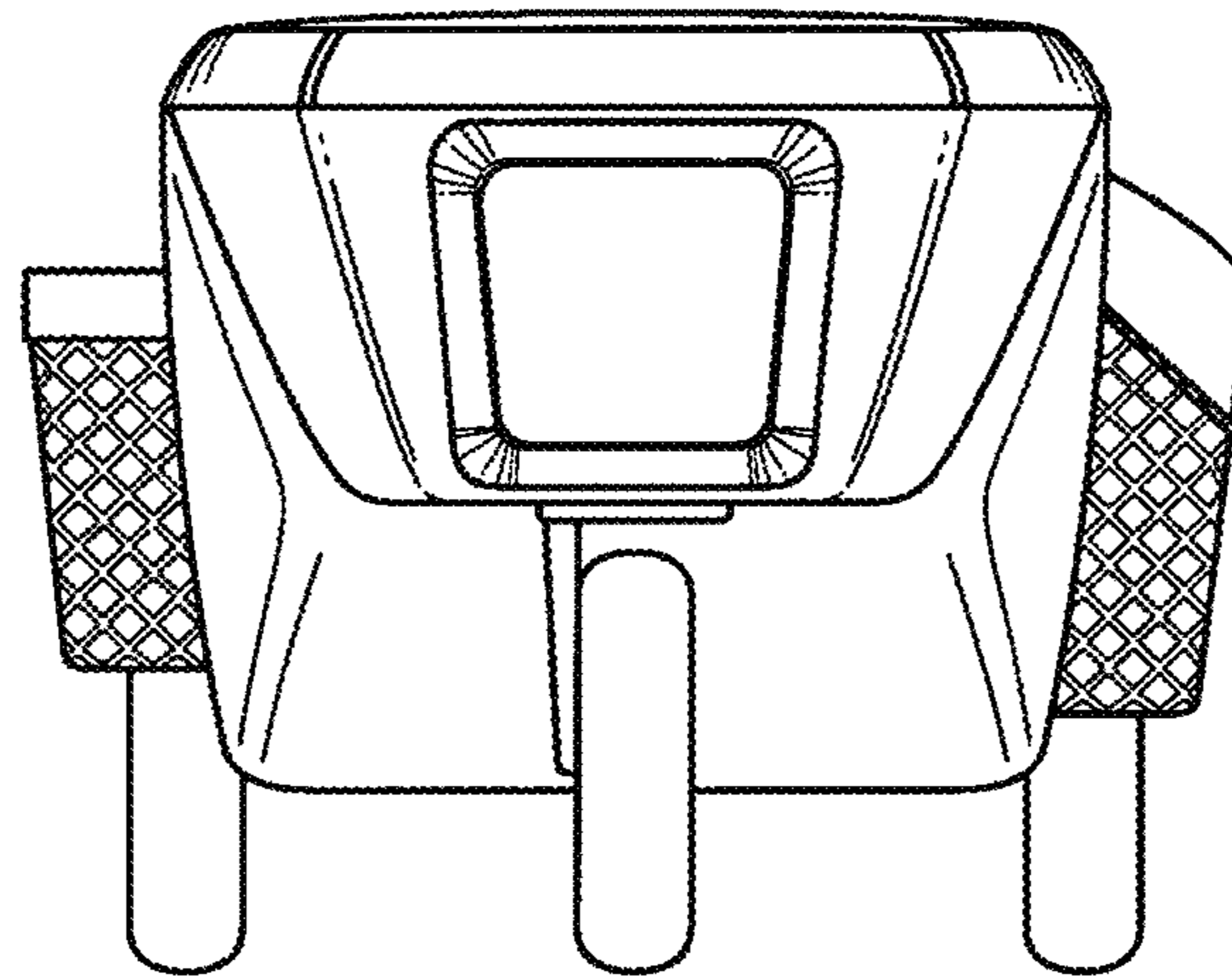


Fig. 6

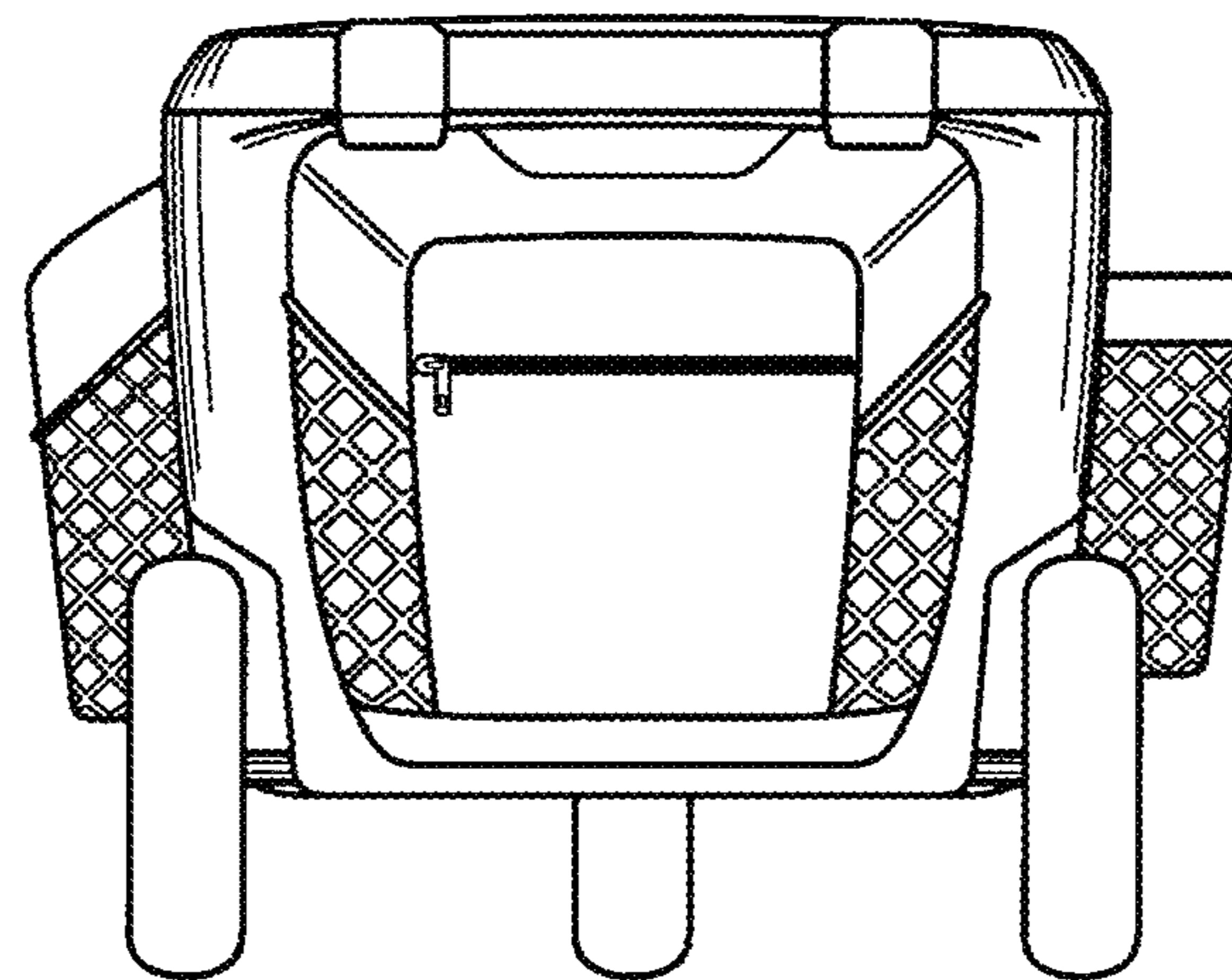


Fig. 7

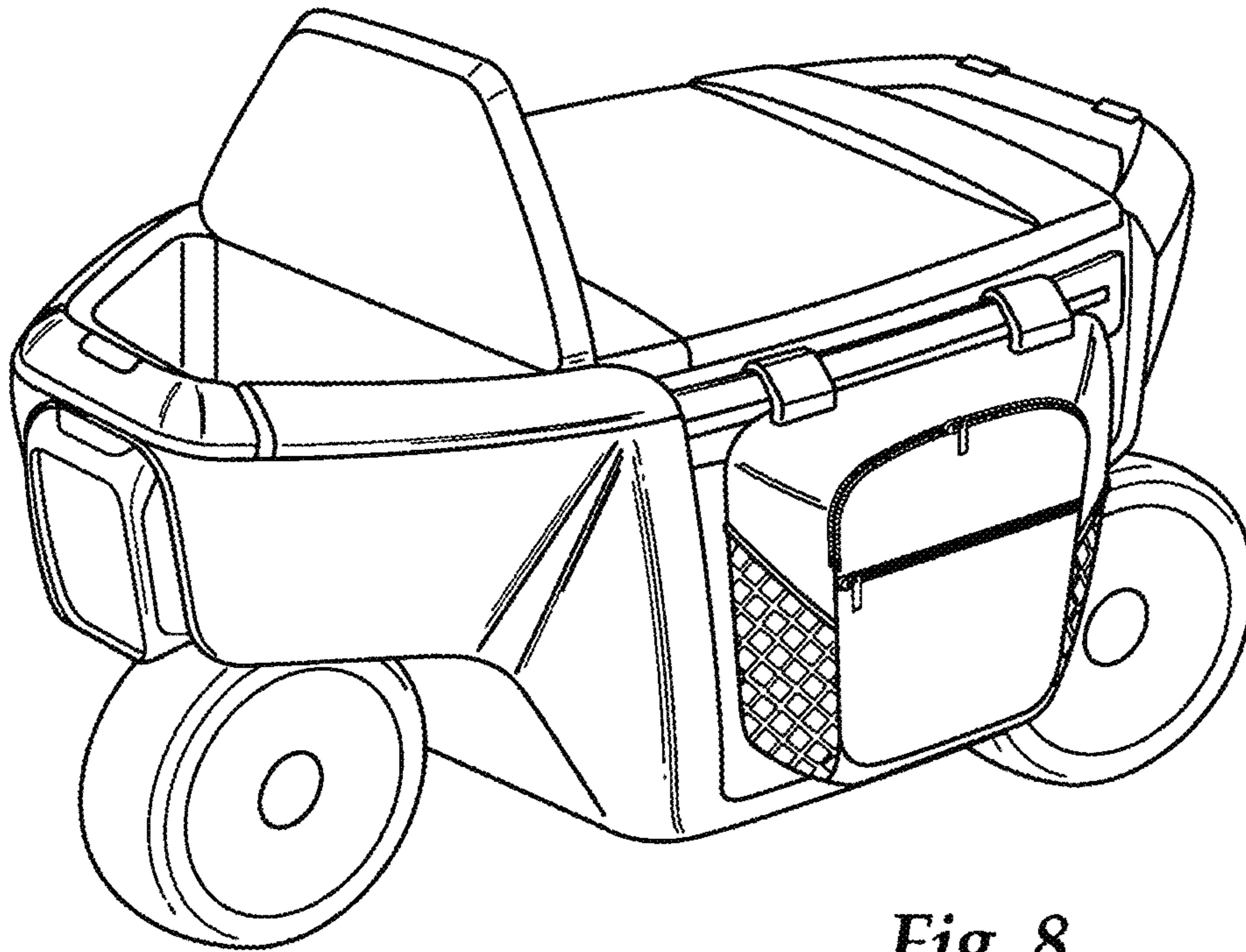


Fig. 8

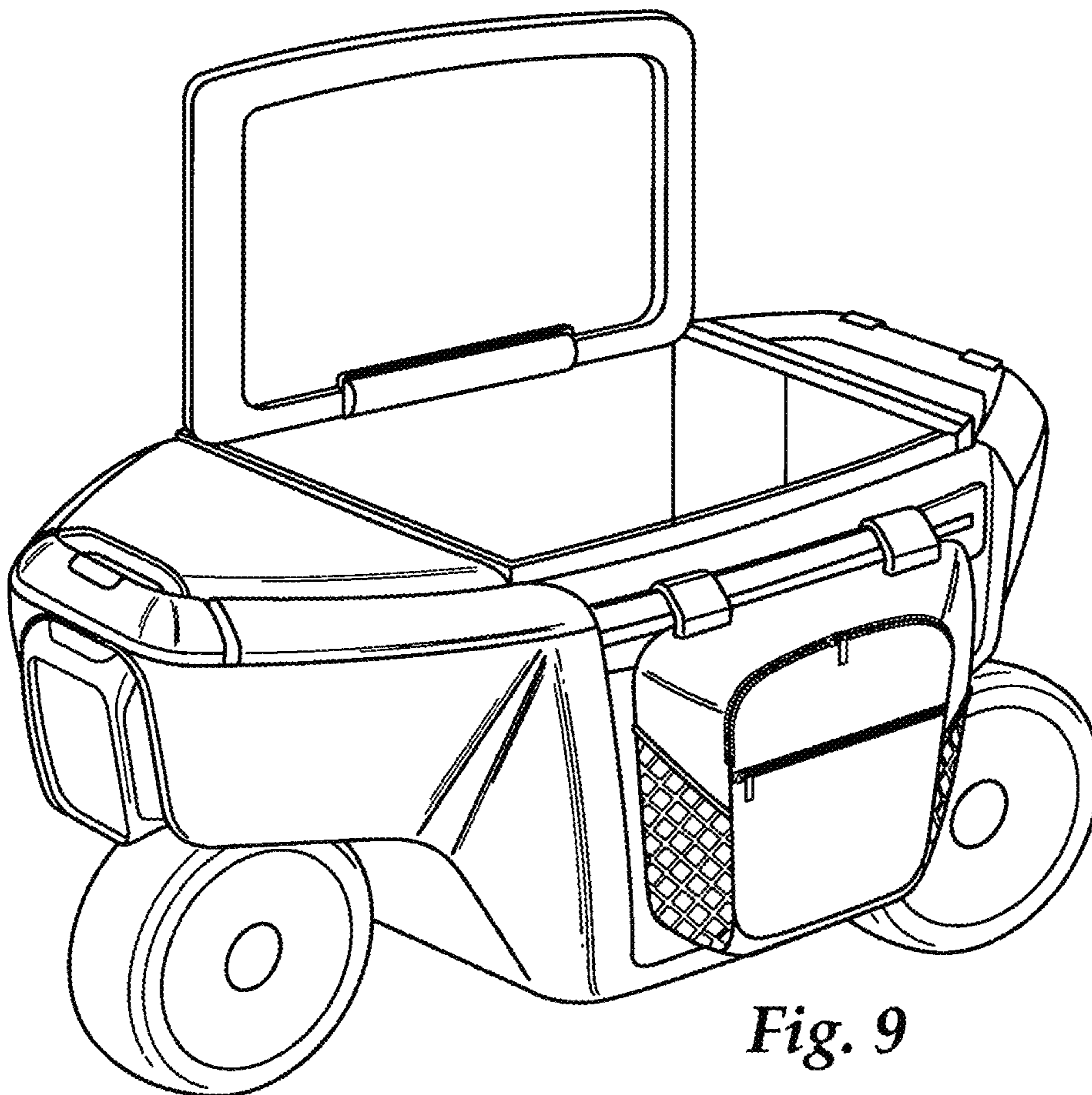


Fig. 9

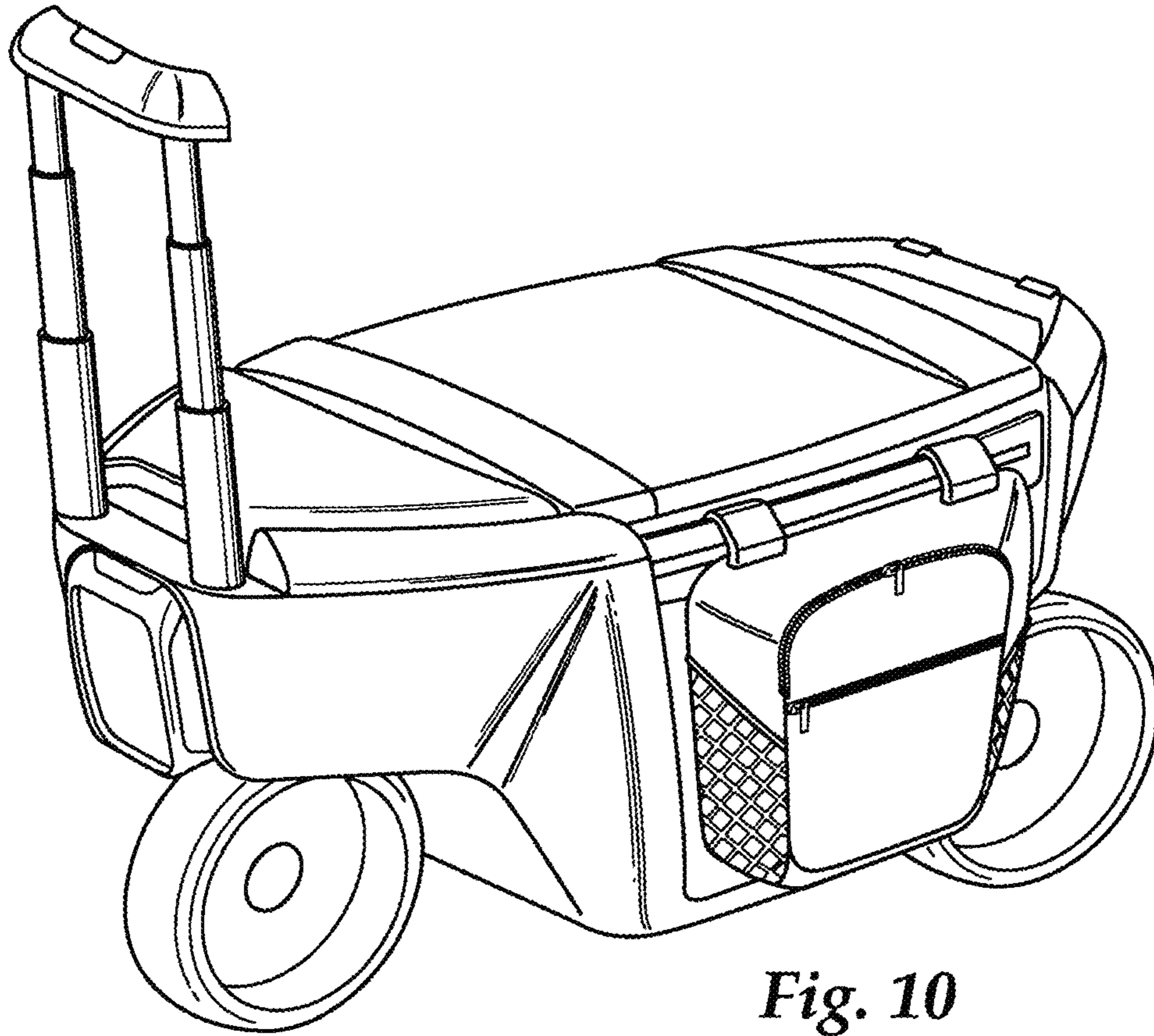


Fig. 10

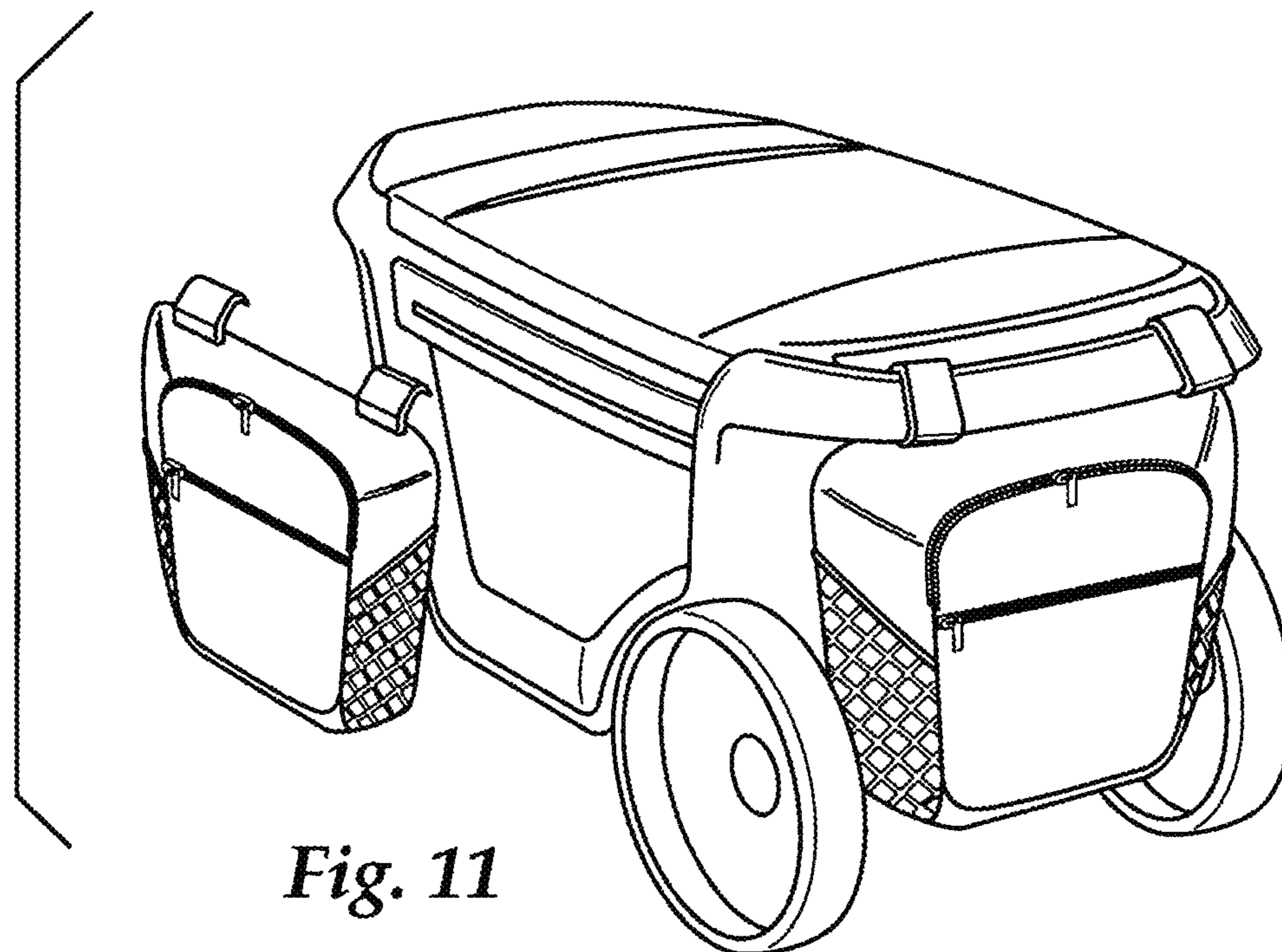


Fig. 11