



US00D886534S

(12) **United States Design Patent**
Finell et al.

(10) **Patent No.:** **US D886,534 S**
(45) **Date of Patent:** **** Jun. 9, 2020**

(54) **REUSABLE SEALABLE SMALL BAG**

(71) Applicant: **Rebecca Finell**, Austin, TX (US)

(72) Inventors: **Rebecca M. Finell**, Austin, TX (US);
Joshua J. Nelson, Mesa, AZ (US)

(73) Assignee: **FINELL CO., LLC**, Austin, TX (US)

(**) Term: **15 Years**

(21) Appl. No.: **29/618,138**

(22) Filed: **Sep. 19, 2017**

(51) **LOC (12) Cl.** **07-07**

(52) **U.S. Cl.**
USPC **D7/602**

(58) **Field of Classification Search**

USPC D7/601, 602; D9/430; 426/85

CPC A47G 19/02; A47G 19/025

See application file for complete search history.

(56) **References Cited**

U.S. PATENT DOCUMENTS

2,012,113	A	8/1935	Thompson	215/363
2,117,738	A *	5/1938	Metzger	B65D 35/00
					383/209
2,165,277	A	7/1939	Herman	229/405
2,589,967	A	3/1952	Sawyer	215/372
2,861,716	A	11/1958	Kramer	215/228
3,354,601	A	11/1967	Schneider	493/196
3,799,914	A *	3/1974	Schmit et al.	B65D 75/008
					426/85
3,844,525	A	10/1974	Parmett	249/127
D285,515	S	9/1986	Papciak	D24/119
4,655,862	A	4/1987	Christoff et al.	156/66

(Continued)

FOREIGN PATENT DOCUMENTS

JP	D140735	S	11/2010	
JP	D1454613	S	11/2012	
WO	2016/140746	A1	9/2016 G06F 19/00

OTHER PUBLICATIONS

Partial European Search Report, Application No. 18159842.6, 9 pages, dated Jun. 29, 2018.

(Continued)

Primary Examiner — Cynthia R Underwood

(74) *Attorney, Agent, or Firm* — Slayden Grubert Beard PLLC

(57) **CLAIM**

The ornamental design for a reusable sealable small bag, as shown and described.

DESCRIPTION

FIG. 1 illustrates a perspective top/front view of a reusable sealable small bag, showing the new, original and ornamental design, wherein the small bag is open and unsealed.

FIG. 2 shows a perspective bottom/front view of the reusable sealable small bag shown in FIG. 1.

FIG. 3 shows a side view of the reusable sealable small bag shown in FIG. 1.

FIG. 4 shows a front view of the reusable sealable small bag shown in FIG. 1.

FIG. 5 shows a bottom view of the reusable sealable small bag shown in FIG. 1.

FIG. 6 illustrates a perspective top/front view of the reusable sealable small bag shown in FIG. 1, showing the new, original and ornamental design, wherein the small bag is closed and sealed.

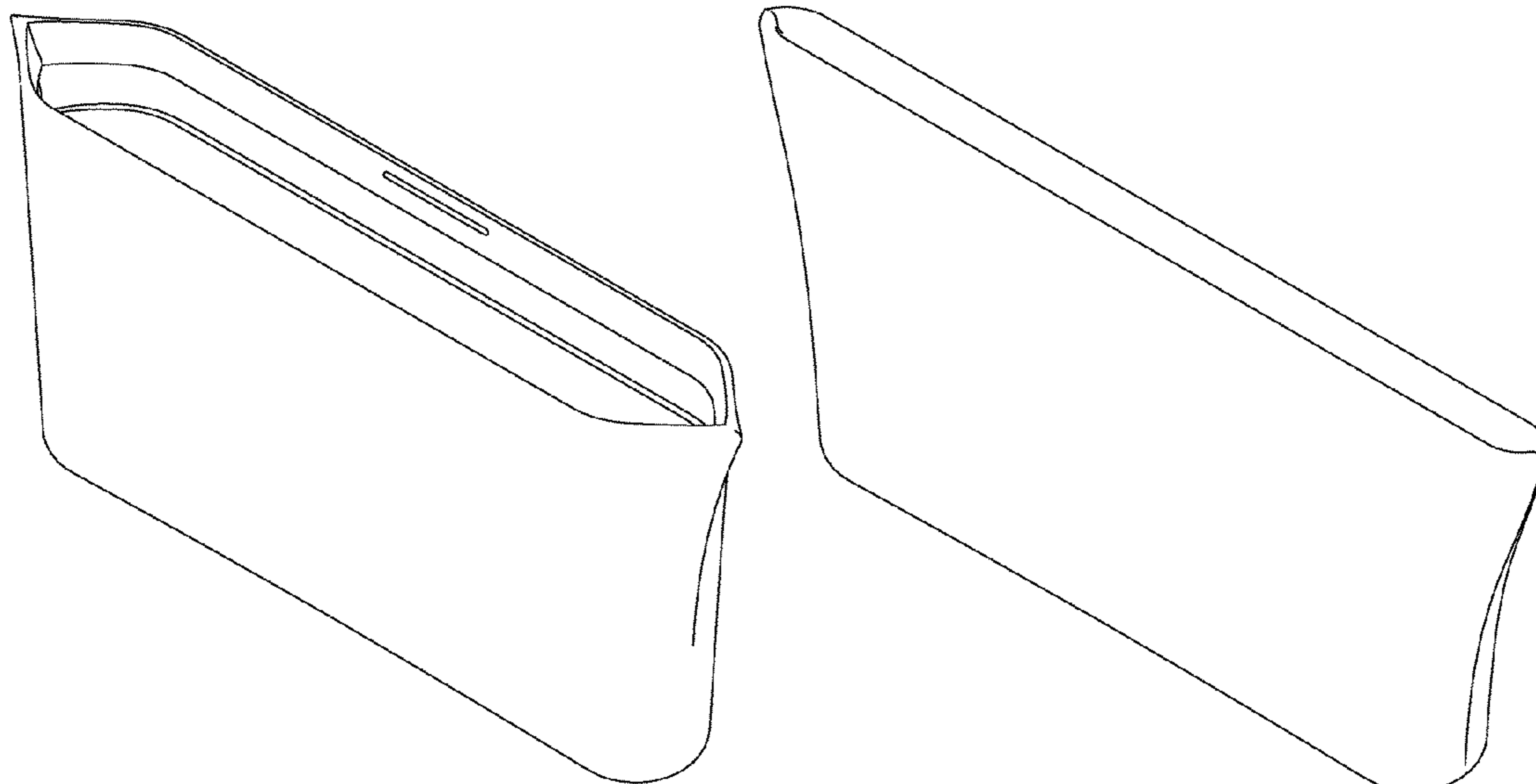
FIG. 7 shows a perspective bottom/front view of the reusable sealable small bag shown in FIG. 6.

FIG. 8 shows a side view of the reusable sealable small bag shown in FIG. 6.

FIG. 9 shows a front view of the reusable sealable small bag shown in FIG. 6; and,

FIG. 10 shows a bottom view of the reusable sealable small bag shown in FIG. 6.

1 Claim, 10 Drawing Sheets



(56)

References Cited

U.S. PATENT DOCUMENTS

D291,659 S 9/1987 Powell D7/507
 5,499,763 A * 3/1996 DeMars A47G 19/02
 229/114
 D374,204 S 10/1996 Weder D11/143
 5,689,866 A 11/1997 Kasai 24/400
 5,758,473 A * 6/1998 Patelli B65B 9/20
 222/541.6
 D401,141 S 11/1998 Carroll et al. D9/608
 D407,970 S 4/1999 Planchard D9/703
 D418,368 S 1/2000 Solland D7/510
 D418,747 S 1/2000 Sagel D9/707
 D419,867 S 2/2000 Hager et al. D9/608
 6,050,432 A 4/2000 Koehnke 215/11.3
 D423,877 S 5/2000 Kerr D7/509
 6,164,488 A 12/2000 Solland 220/717
 6,176,420 B1 1/2001 Sarson 229/128
 6,197,359 B1 3/2001 Llorente Hompanera ... 426/523
 6,245,367 B1 * 6/2001 Galomb B65D 51/247
 206/541
 D456,211 S 4/2002 Price D7/509
 D457,318 S 5/2002 Borland et al. D3/303
 D464,258 S * 10/2002 Edwards D9/708
 D470,361 S 2/2003 Trombly D7/509
 D470,755 S 2/2003 Espinel D9/707
 D482,614 S * 11/2003 Countee, Jr. D7/705
 D495,209 S 8/2004 Tranfaglia D7/509
 D502,364 S 3/2005 Chan D7/509
 7,029,178 B2 4/2006 Gzybowski 383/64
 D522,183 S 5/2006 Wylie D30/118
 7,160,029 B2 1/2007 Bein et al. 383/67
 D541,171 S * 4/2007 Delmotte D9/709
 D553,442 S 10/2007 Bodum D7/509
 D554,432 S 11/2007 Roth et al. D7/516
 D567,592 S * 4/2008 Fite, IV D7/566
 D580,779 S * 11/2008 Hartwell D9/705
 D582,790 S 12/2008 Friebe D9/707
 D586,232 S 2/2009 Friebe D9/707
 7,524,111 B1 4/2009 Williams 220/23.87
 D600,072 S 9/2009 Hayes D7/509
 D605,895 S 12/2009 Abbott D7/509
 D609,581 S 2/2010 Doyal D9/703
 D616,760 S 6/2010 Deuerer D9/611
 D618,302 S 6/2010 Williams D23/209
 D622,109 S 8/2010 Hull et al. D7/630
 1,002,346 A1 9/2011 Weeks 229/400
 D657,950 S 4/2012 Herman D3/202
 D660,446 S 5/2012 Baltazar D24/208
 8,220,651 B2 7/2012 Norcom 220/1.6
 D668,118 S * 10/2012 Hayes D7/602
 D672,202 S * 12/2012 Craft D7/586
 D683,190 S 5/2013 Shields D7/544
 D683,592 S 6/2013 Shields D07/544
 D684,867 S * 6/2013 English D9/707
 D684,868 S * 6/2013 Kessler, Jr. D9/707
 D686,508 S 7/2013 Kling D9/703
 8,479,972 B2 * 7/2013 Craft B65D 5/029
 229/101
 D689,370 S * 9/2013 Bower D9/707
 8,523,440 B2 9/2013 Walker et al. 383/202
 D690,995 S 10/2013 Franco D07/516
 D705,654 S 5/2014 Wurth et al. D09/451
 8,864,015 B2 10/2014 Lu 229/128
 D722,805 S 2/2015 Banos D07/301
 D736,099 S 8/2015 Deuerer D09/707
 D739,727 S 9/2015 Olson D9/436
 D750,334 S 2/2016 Comstock D32/30
 D755,017 S * 5/2016 Piechocinski D7/554.2
 9,371,153 B1 6/2016 Nouri et al.
 D770,916 S 11/2016 Nouri et al. D9/709
 D772,493 S 11/2016 Wu D30/129
 D772,723 S 11/2016 Murray D9/707
 D782,450 S 3/2017 Jones D14/240
 D791,609 S 7/2017 Rotman D9/611
 9,737,161 B1 8/2017 Li A47G 19/22
 9,751,655 B2 9/2017 Herman

D804,959 S 12/2017 Anda D9/705
 D809,875 S 2/2018 Delgado Carmona D7/628
 D809,876 S 2/2018 Delgado Carmona D7/628
 D811,796 S 3/2018 Joseph D7/325
 D812,487 S 3/2018 Soegyanto D9/702
 D813,684 S * 3/2018 Williams, Jr. D9/703
 D815,365 S 4/2018 Scariot et al. D30/118
 D815,544 S 4/2018 Soegyanto D9/702
 D817,109 S 5/2018 Kilicarslan D7/611
 D826,063 S * 8/2018 Kwon D9/643
 D831,432 S 10/2018 Lv D7/606
 D851,853 S 6/2019 Khan D99/5
 D854,325 S * 7/2019 Myerson D3/304
 D856,086 S 8/2019 Goulet D7/519
 D858,200 S 9/2019 Wang D7/516
 D860,001 S 9/2019 Sahatjian D9/707
 2003/0066870 A1 * 4/2003 Stewart B65D 3/14
 229/125.09
 2005/0194386 A1 9/2005 Shai 220/287
 2006/0191929 A1 8/2006 Berg, Jr. et al. 220/6
 2006/0191985 A1 8/2006 Norcom 229/117.05
 2006/0193541 A1 8/2006 Norcom 383/200
 2008/0050053 A1 2/2008 Szczesuil 383/66
 2008/0087268 A1 4/2008 Burton 126/9 R
 2009/0110335 A1 4/2009 Leboeuf 383/63
 2009/0279810 A1 11/2009 Nobles 383/66
 2010/0012531 A1 1/2010 Steele 206/216
 2010/0072224 A1 3/2010 Ha 222/107
 2010/0314434 A1 12/2010 Herman 229/107
 2011/0017812 A1 1/2011 Belko et al. 229/117.27
 2011/0017814 A1 1/2011 Belko et al. 229/124
 2011/0132910 A1 6/2011 Willat 220/495.03
 2011/0203944 A1 8/2011 Singer 206/204
 2011/0297680 A1 12/2011 Howell et al. 220/266
 2012/0060449 A1 3/2012 Howell et al. 53/456
 2012/0187182 A1 7/2012 Howell et al. 229/102
 2012/0269469 A1 10/2012 Long et al. 383/210.1
 2013/0084028 A1 4/2013 Cross 383/33
 2013/0105352 A1 5/2013 Munguia 206/524.6
 2014/0042217 A1 2/2014 Houck 229/404
 2014/0212075 A1 7/2014 Cross 383/64
 2014/0226921 A1 8/2014 Albers 383/86.2
 2014/0245698 A1 9/2014 Steele 53/410
 2014/0270579 A1 9/2014 Nouri 383/25
 2015/0203250 A1 7/2015 Denis 383/63
 2018/0251267 A1 9/2018 Finell B65D 33/2508
 2019/0270546 A1 9/2019 Finell

OTHER PUBLICATIONS

Chinese Office Action, Application No. 201830098713.5, 1 page, dated Jul. 5, 2018.
 Chinese Office Action, Application No. 201830098714.X, 1 pages, dated Jul. 11, 2018.
 Chinese Office Action, Application No. 201830099010.4, 1 page, dated Jul. 11, 2018.
 Taiwan Office Action, Application No. 107301545, 6 pages, dated Sep. 12, 2018.
 Taiwan Office Action, Application No. 107301546, 5 pages, dated Sep. 12, 2018.
 Extended European Search Report and Written Opinion, Application No. 18159842.6, 9 pages, dated Oct. 19, 2018.
 U.S. Non-Final Office Action, U.S. Appl. No. 15/910,757, 18 pages, dated Jun. 14, 2019.
 U.S. Non-Final Office Action, U.S. Appl. No. 15/910,757, 21 pages, dated Oct. 2, 2018.
 U.S. Final Office Action, U.S. Appl. No. 15/910,757, 17 pages, dated Feb. 21, 2019.
 U.S. Final Office Action, U.S. Appl. No. 15/910,757, 22 pages, dated Sep. 18, 2019.
 U.S. Non-Final Office Action, U.S. Appl. No. 16/154,134, 39 pages, dated Oct. 1, 2019.
 U.S. Non-Final Office Action, U.S. Appl. No. 29/699,634, 14 pages, dated Oct. 21, 2019.
 U.S. Non-Final Office Action, U.S. Appl. No. 29/699,650, 14 pages, dated Oct. 21, 2019.

(56)

References Cited

OTHER PUBLICATIONS

U.S. Non-Final Office Action, U.S. Appl. No. 29/699,656, 14 pages, dated Oct. 21, 2019.

U.S. Advisory Action, U.S. Appl. No. 15/910,757, 3 pages, dated Oct. 28, 2019.

U.S. Notice of Allowance, U.S. Appl. No. 29/699,611, 16 pages, dated Oct. 30, 2019.

Taiwan Office Action, Taiwan Design Application No. 107301543, 4 pages, dated Dec. 18, 2018.

Chinese Office Action, Application No. 201830099279.2, 1 page, dated Jul. 9, 2018.

U.S. Non-Final Office Action, U.S. Appl. No. 29/618,115, 27 pages, dated Nov. 27, 2019.

U.S. Non-Final Office Action, U.S. Appl. No. 29/618,099, 27 pages, dated Nov. 29, 2019.

U.S. Notice of Allowance, U.S. Appl. No. 29/699,278, 19 pages, dated Dec. 4, 2019.

U.S. Notice of Allowance, U.S. Appl. No. 29/699,301, 19 pages, dated Dec. 4, 2019.

U.S. Notice of Allowance, U.S. Appl. No. 29/699,897, 18 pages, dated Dec. 4, 2019.

U.S. Notice of Allowance, U.S. Appl. No. 29/699,904, 19 pages, dated Dec. 4, 2019.

U.S. Non-Final Office Action, U.S. Appl. No. 15/910,757, 21 pages, dated Jan. 8, 2020.

* cited by examiner

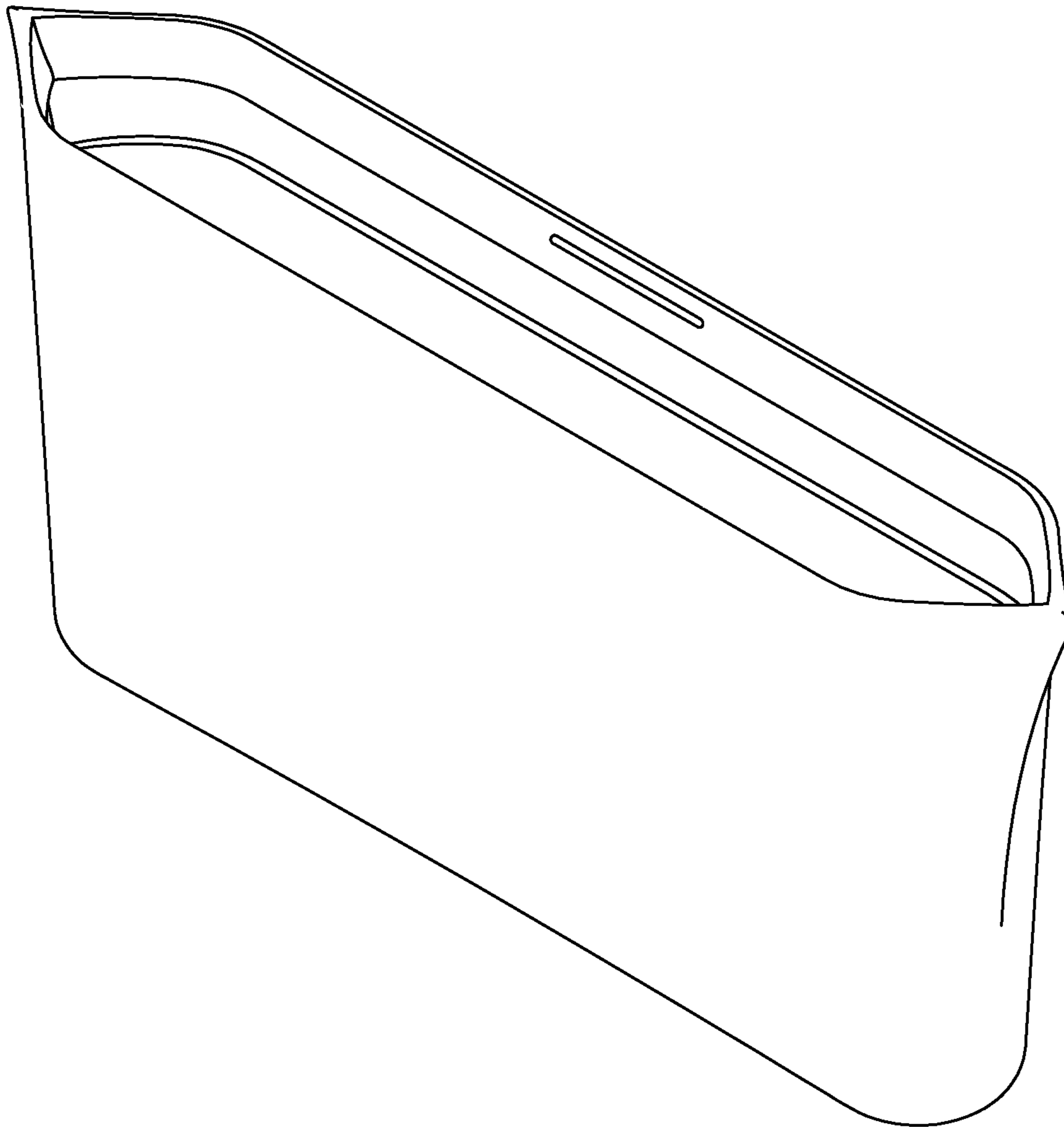


FIG. 1

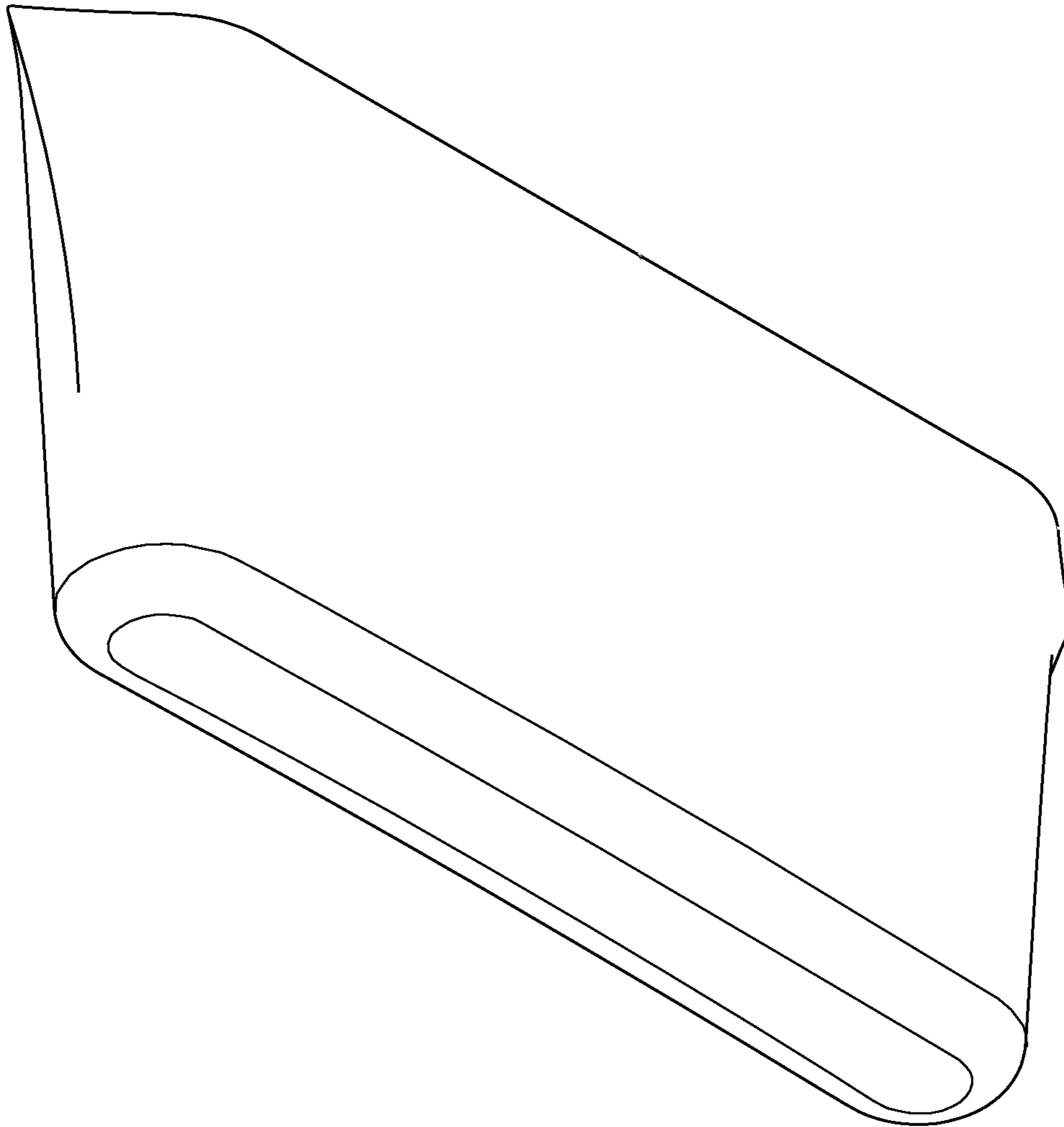


FIG. 2

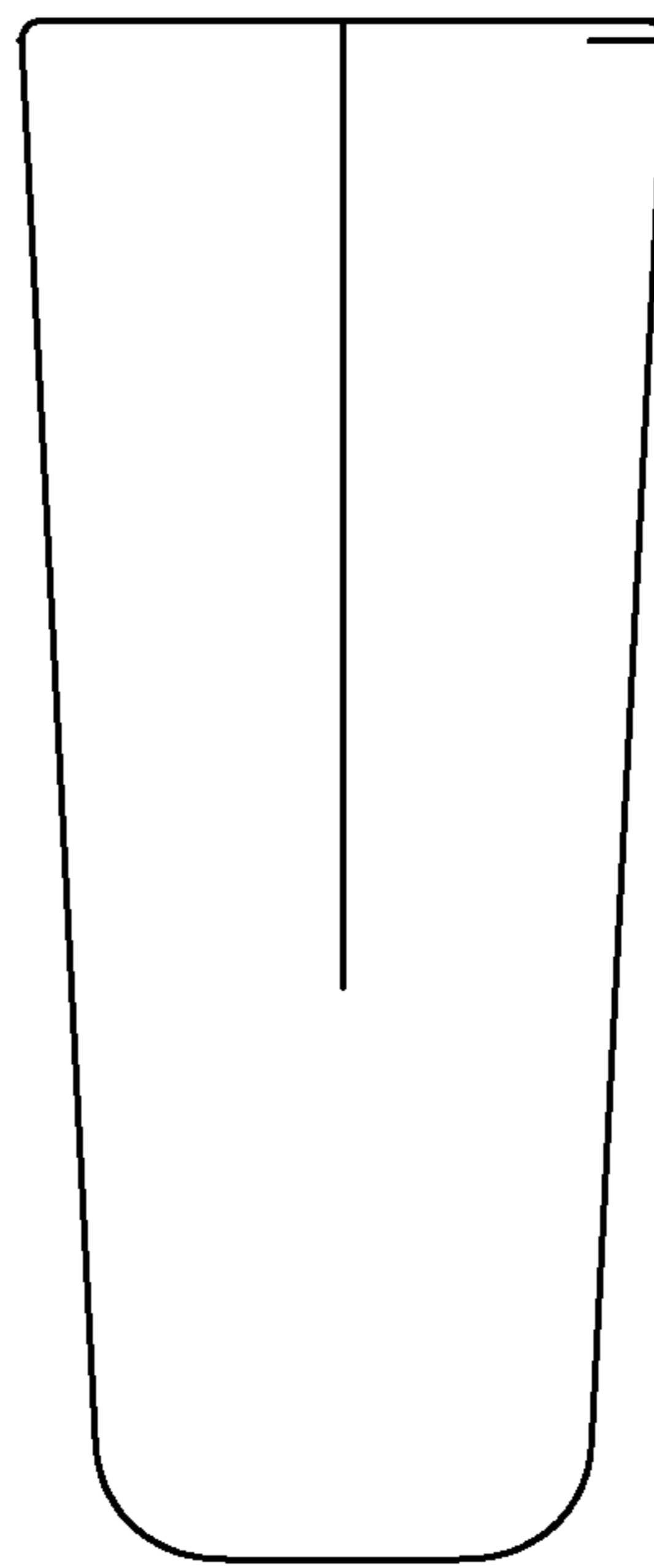


FIG. 3

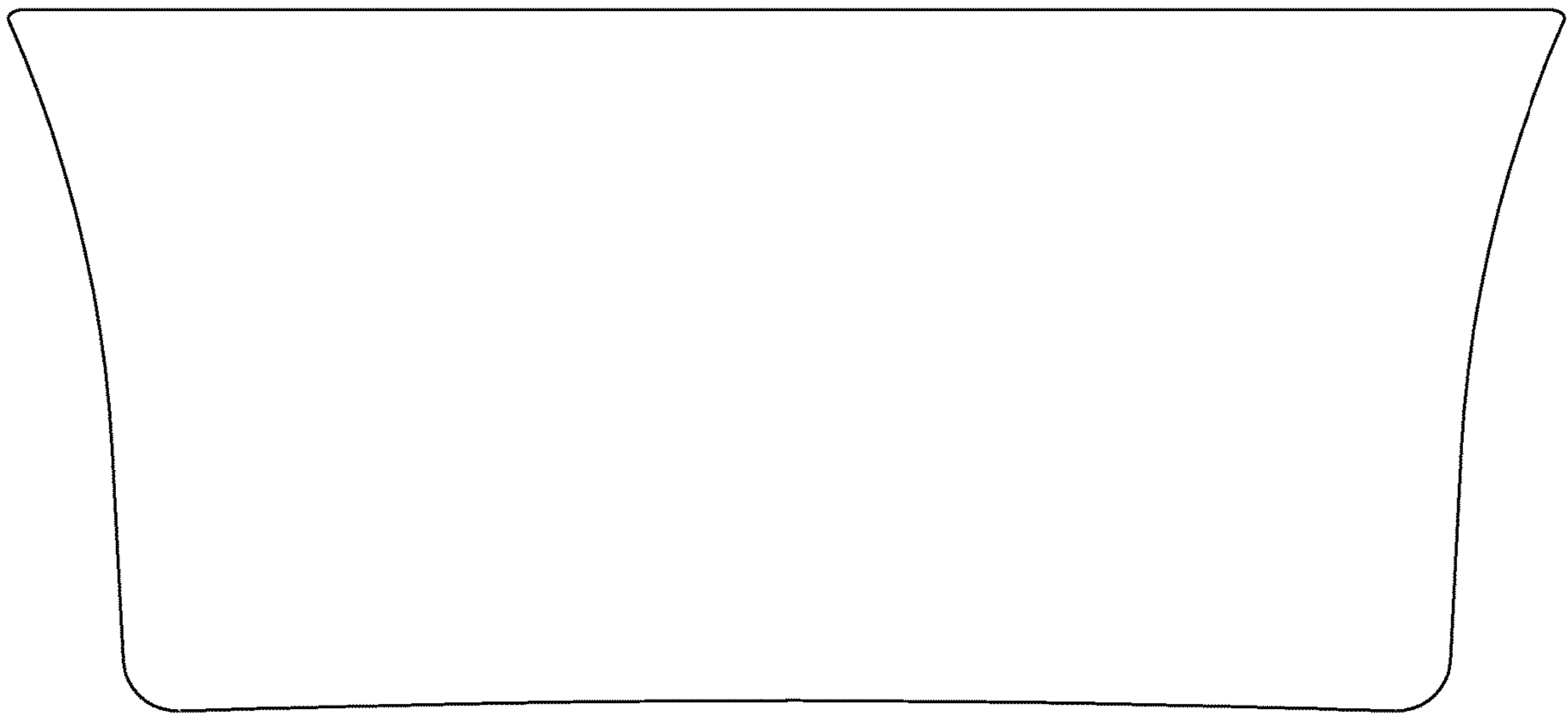


FIG. 4

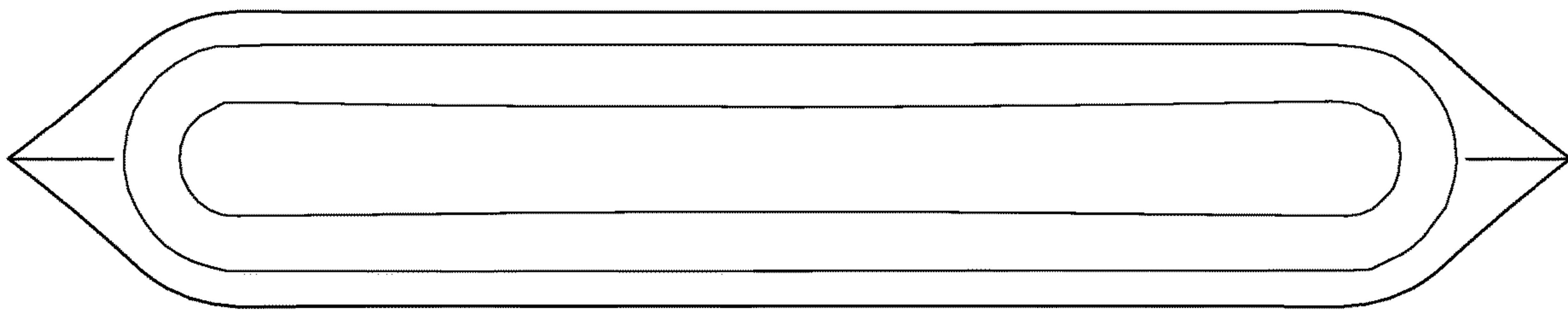


FIG. 5

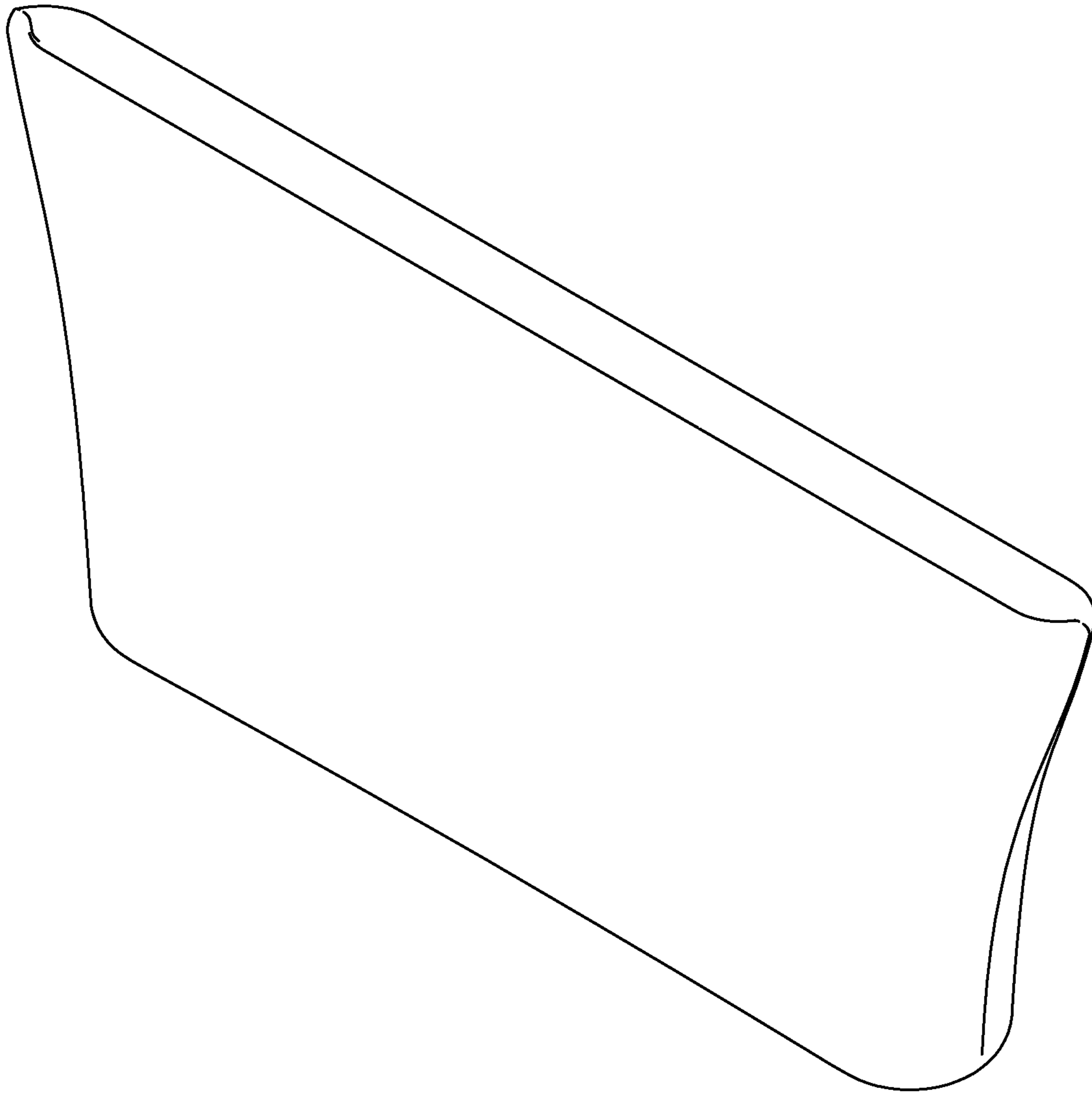


FIG. 6

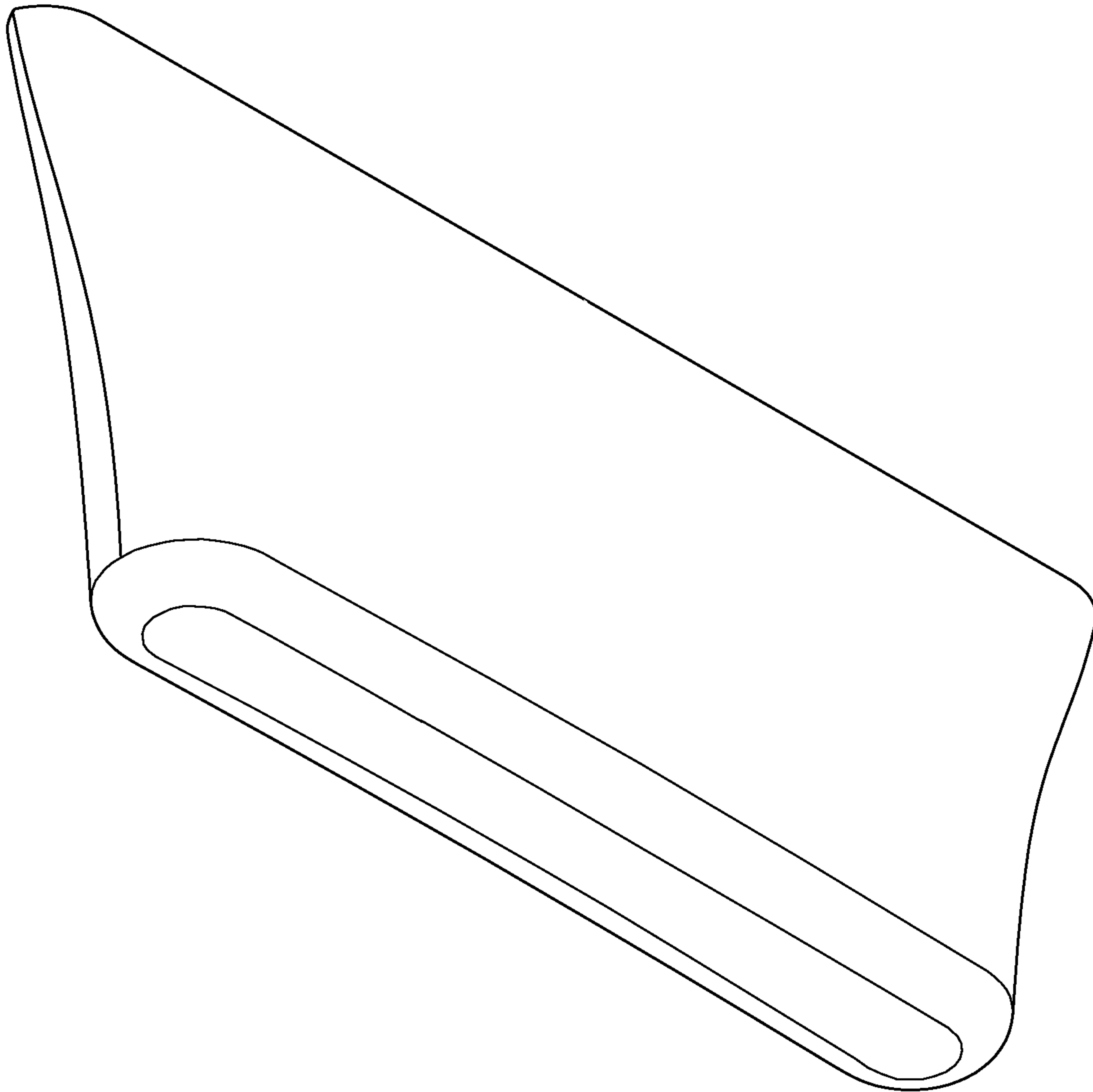


FIG. 7

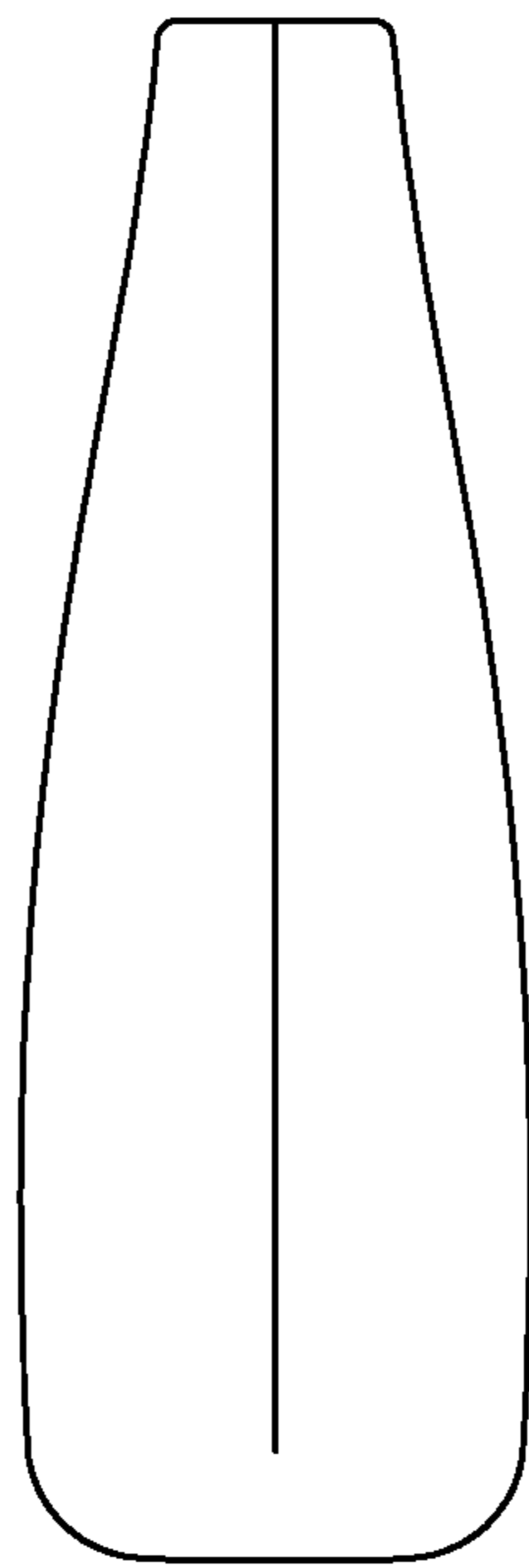


FIG. 8

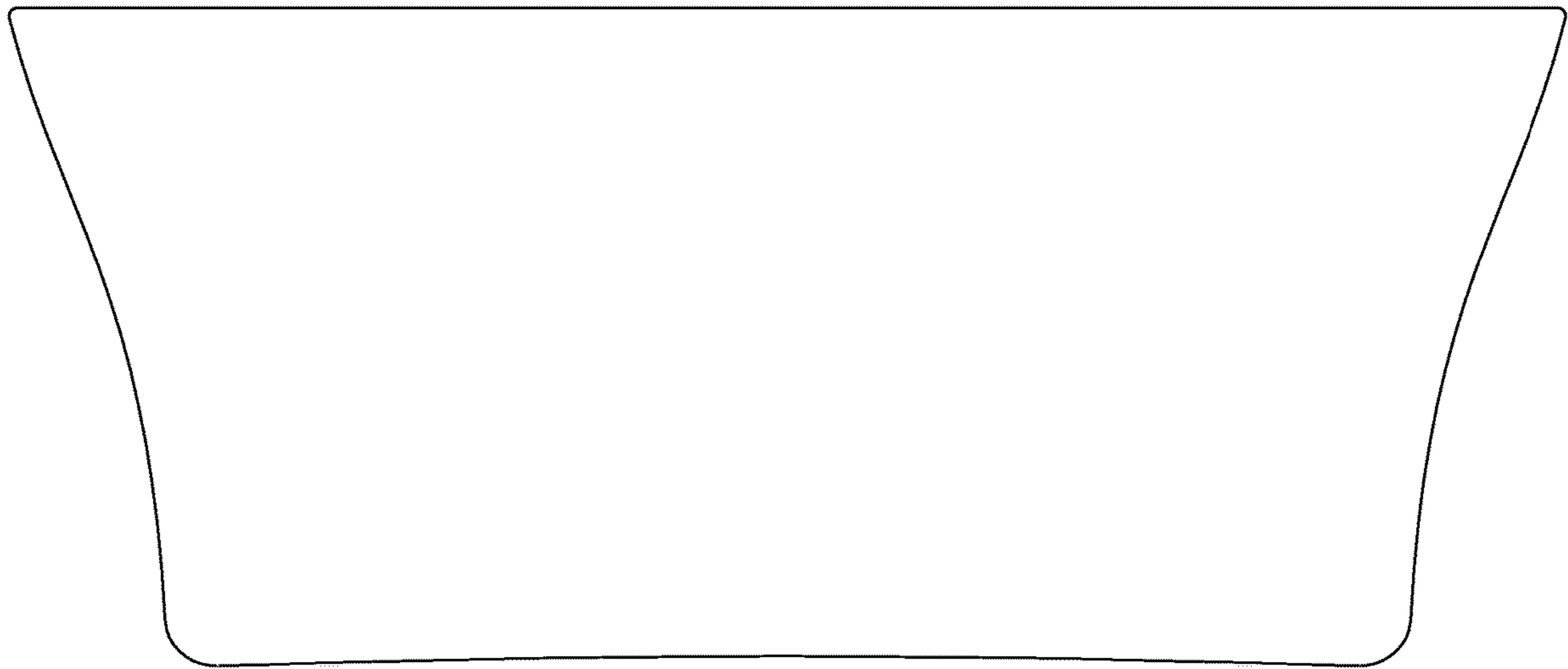


FIG. 9

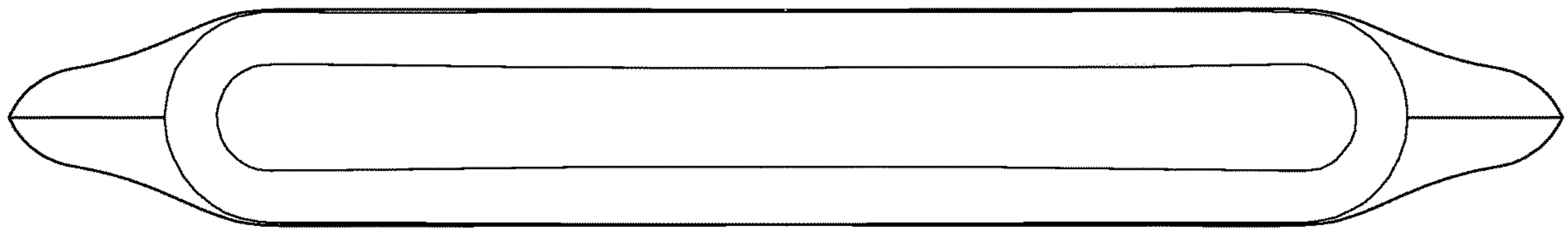


FIG. 10