



US00D886532S

(12) **United States Design Patent**
Peng

(10) **Patent No.:** **US D886,532 S**

(45) **Date of Patent:** **** Jun. 9, 2020**

(54) **FOOD PRESERVATION BAG**

(56) **References Cited**

(71) Applicant: **SHENZHEN KEAN SILICONE PRODUCT CO., LTD**, Shenzhen (CN)

U.S. PATENT DOCUMENTS

(72) Inventor: **Pandian Peng**, Shenzhen (CN)

D399,708 S *	10/1998	Grissom	D7/629
D644,881 S *	9/2011	van Wijk	D7/601
2009/0110335 A1 *	4/2009	LeBoeuf	B65D 81/18
				383/63
2014/0270579 A1 *	9/2014	Nouri	B65D 33/2541
				383/25

(73) Assignee: **SHENZHEN KEAN SILICONE PRODUCT CO., LTD**, Shenzhen (CN)

(**) Term: **15 Years**

* cited by examiner

(21) Appl. No.: **29/673,732**

Primary Examiner — Terry A Wallace

(22) Filed: **Dec. 18, 2018**

(57) **CLAIM**

The ornamental design for a food preservation bag, as shown and described.

(30) **Foreign Application Priority Data**

DESCRIPTION

Nov. 23, 2018 (CN) 2018 3 0670623

(51) **LOC (12) Cl.** **07-07**

(52) **U.S. Cl.**
USPC **D7/601; D9/702**

(58) **Field of Classification Search**
USPC D7/601, 602; D9/702, 703, 705, 706;
D3/317

CPC A47G 19/02; A47G 19/025; B65D 33/16;
B65D 33/10; B65D 33/12; B65D
33/2541; B65D 81/18

See application file for complete search history.

FIG. 1 is a front elevational view of a food preservation bag showing my new design;

FIG. 2 is a rear elevational view thereof;

FIG. 3 is a left side elevational view thereof;

FIG. 4 is a right side elevational view thereof;

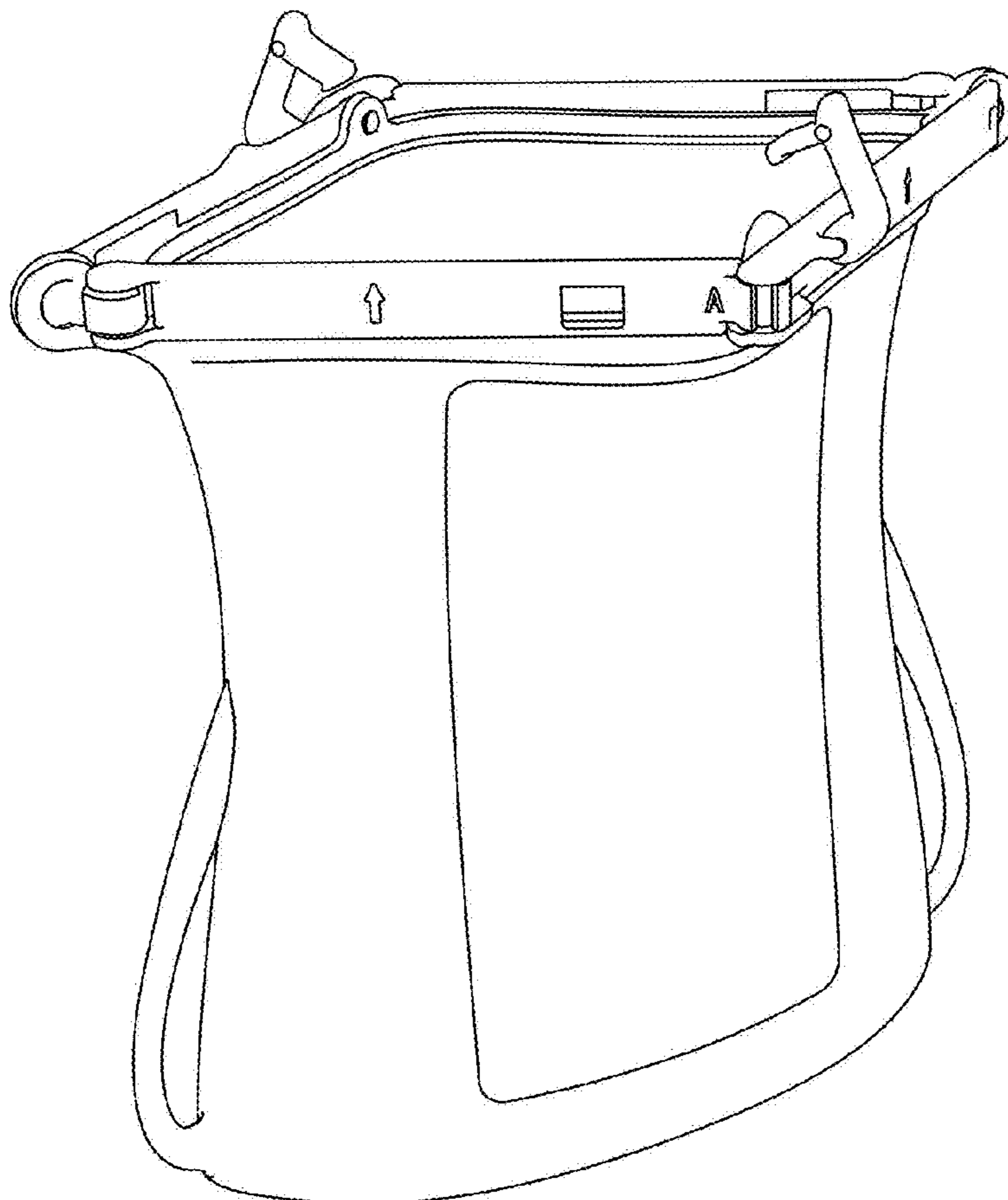
FIG. 5 is a top plan view thereof;

FIG. 6 is a bottom plan view thereof;

FIG. 7 is a top, front perspective view thereof; and,

FIG. 8 is a top, rear perspective view thereof.

1 Claim, 8 Drawing Sheets



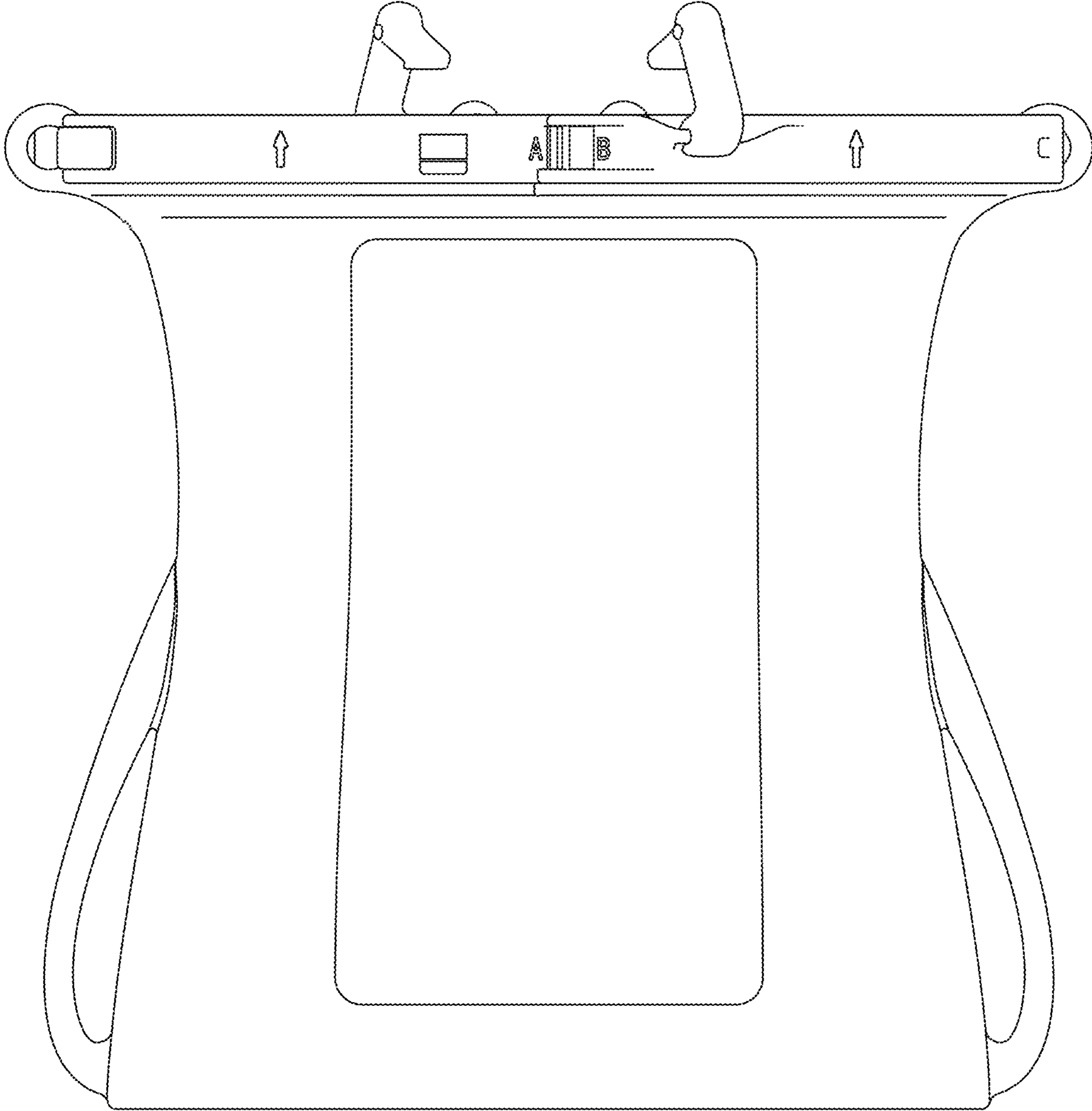


FIG. 1

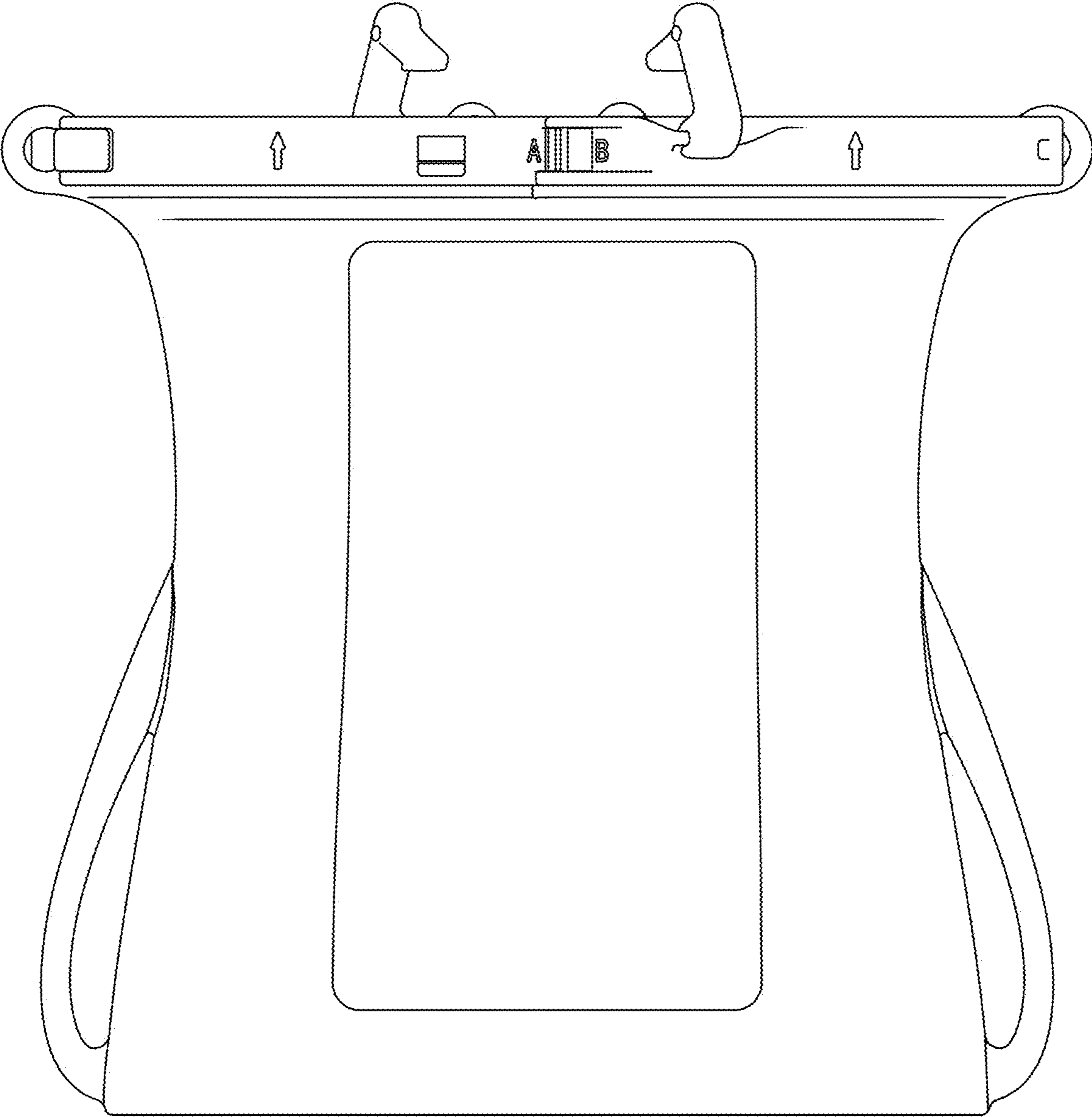


FIG. 2

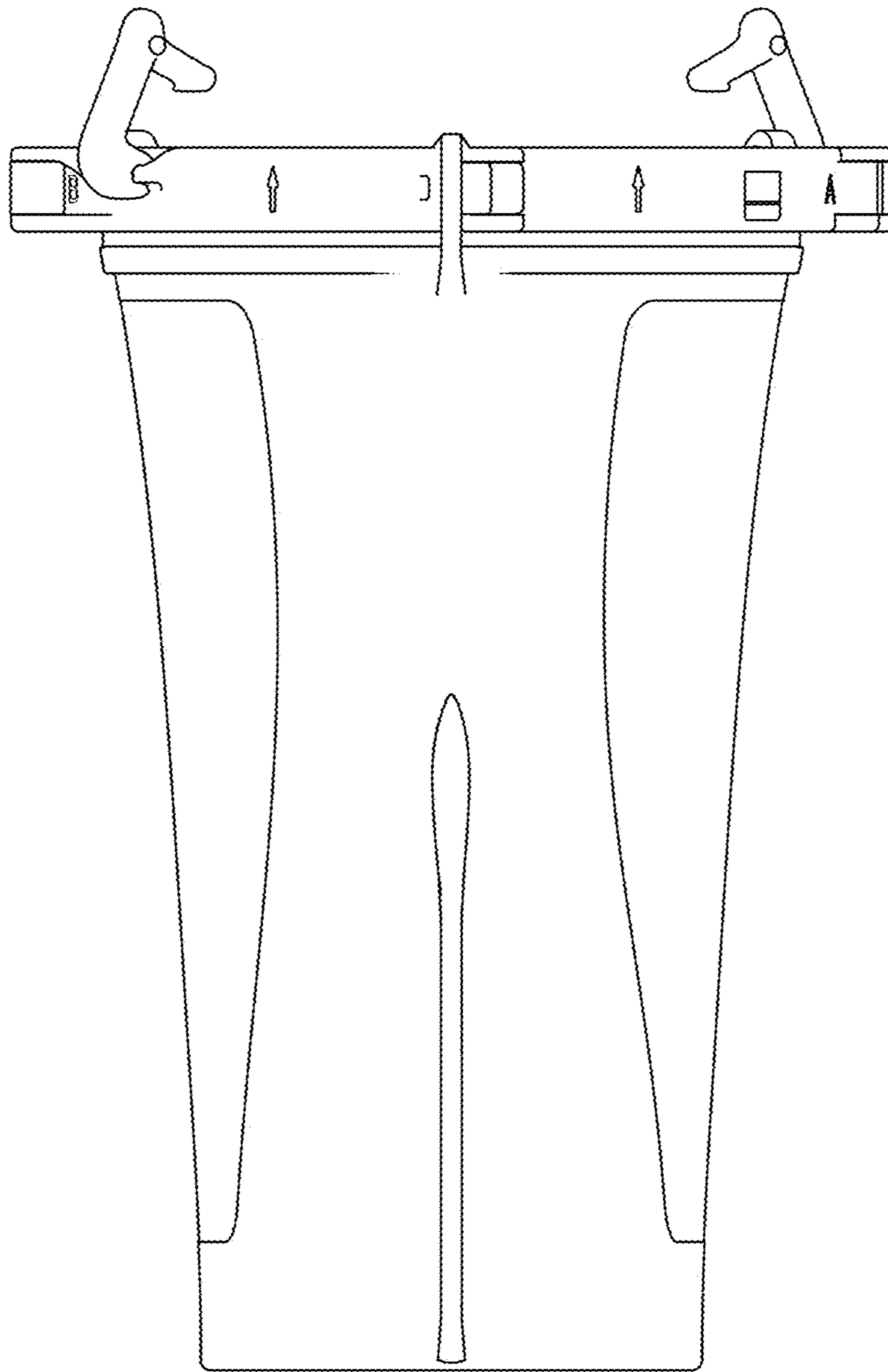


FIG. 3

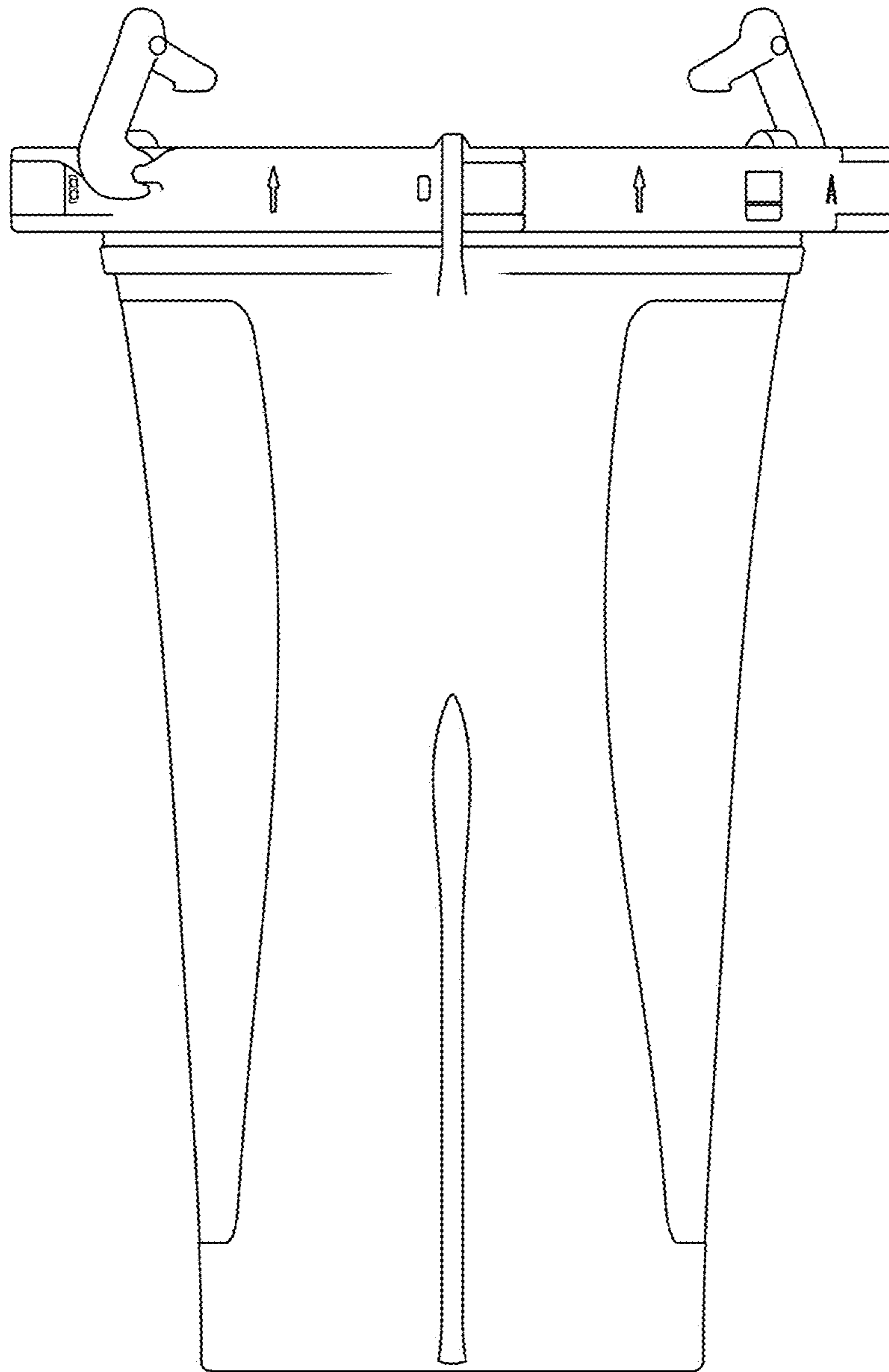


FIG. 4

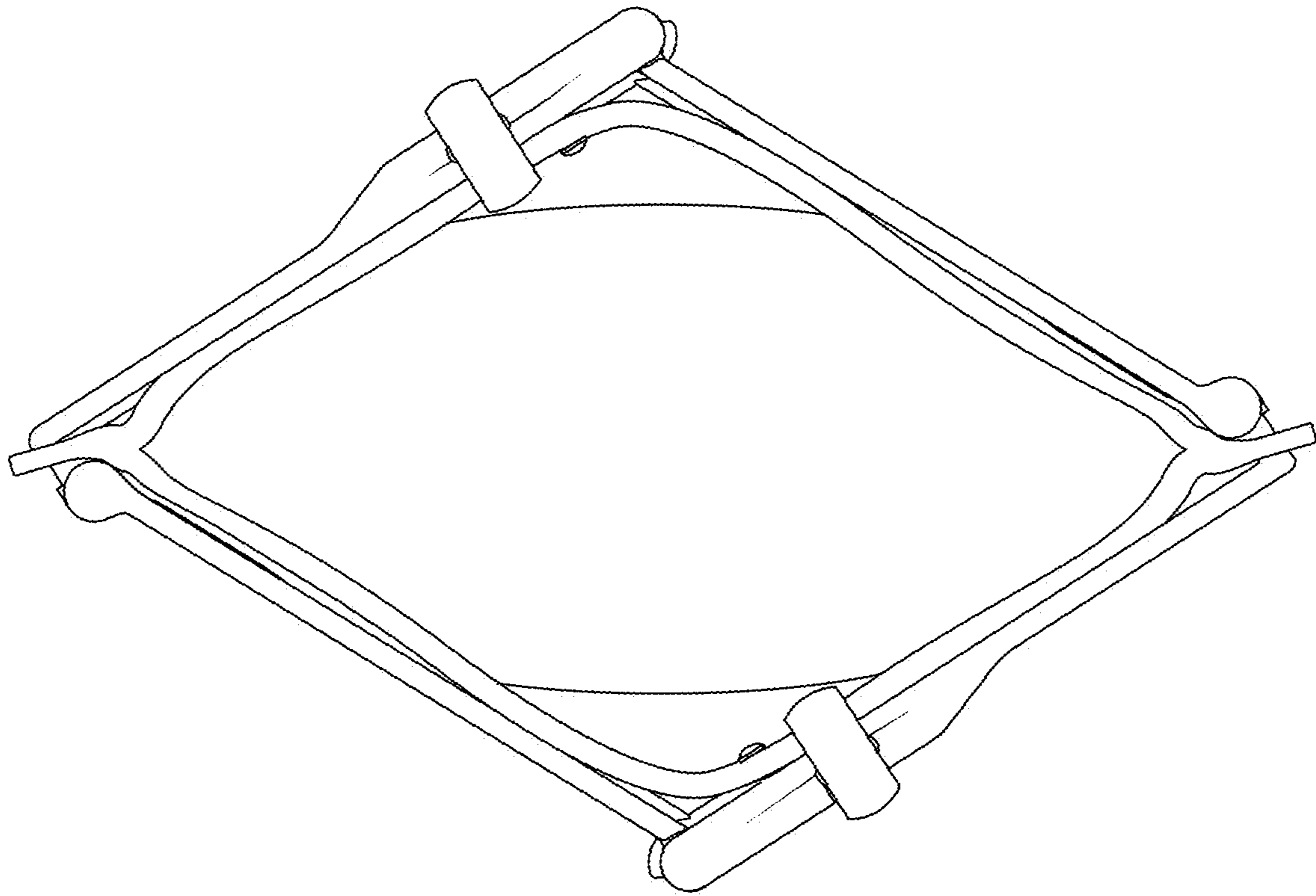


FIG. 5

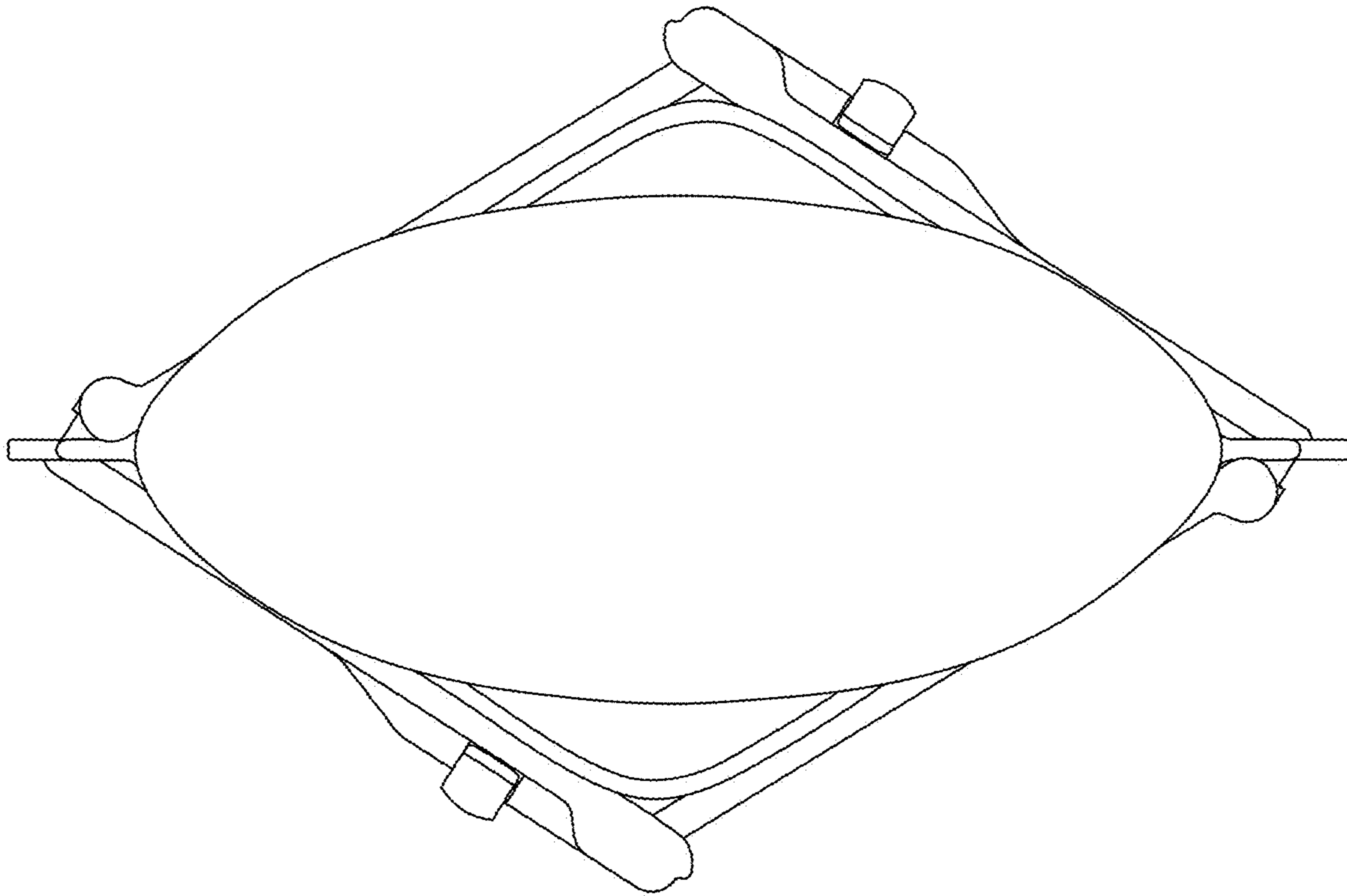


FIG. 6

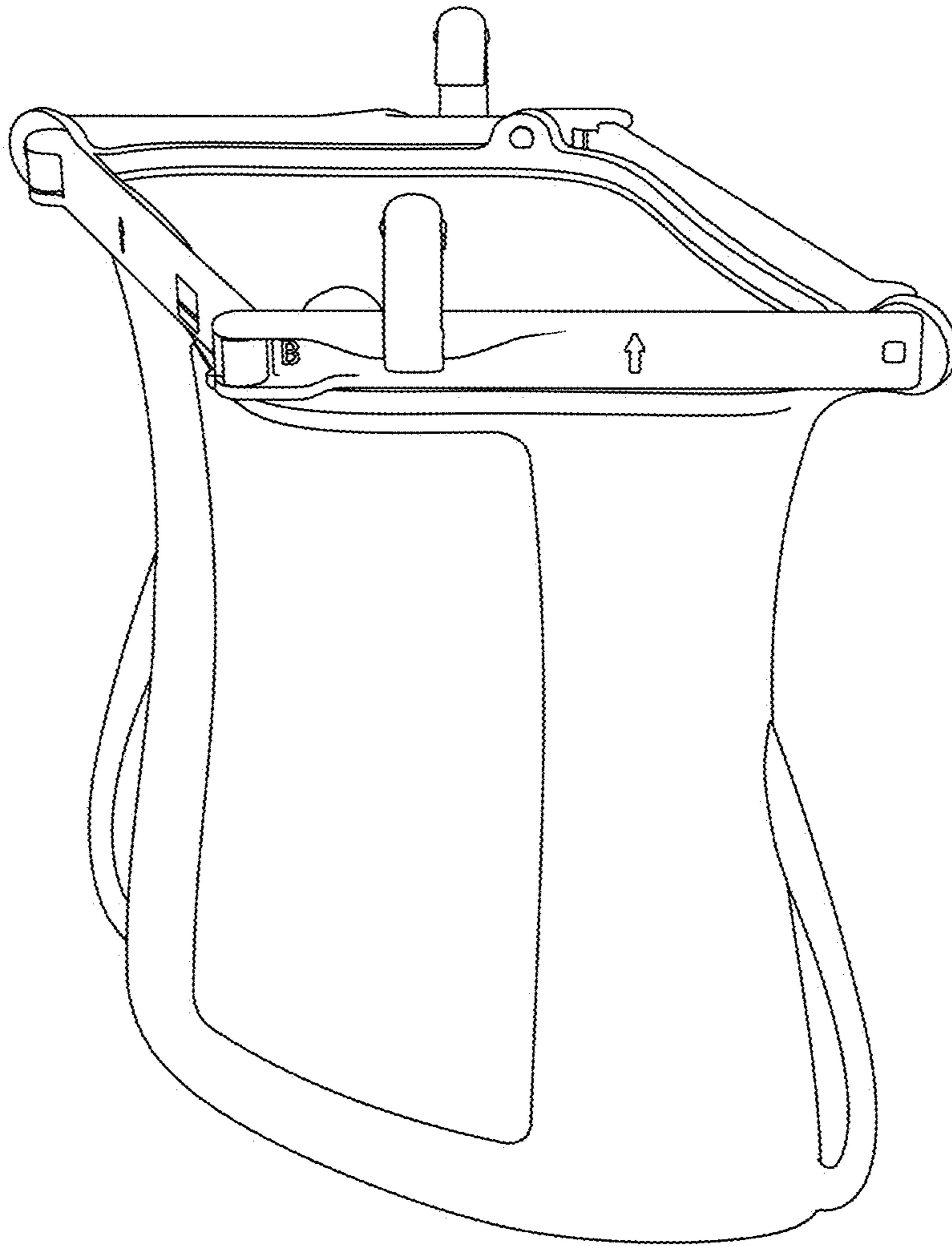


FIG. 7

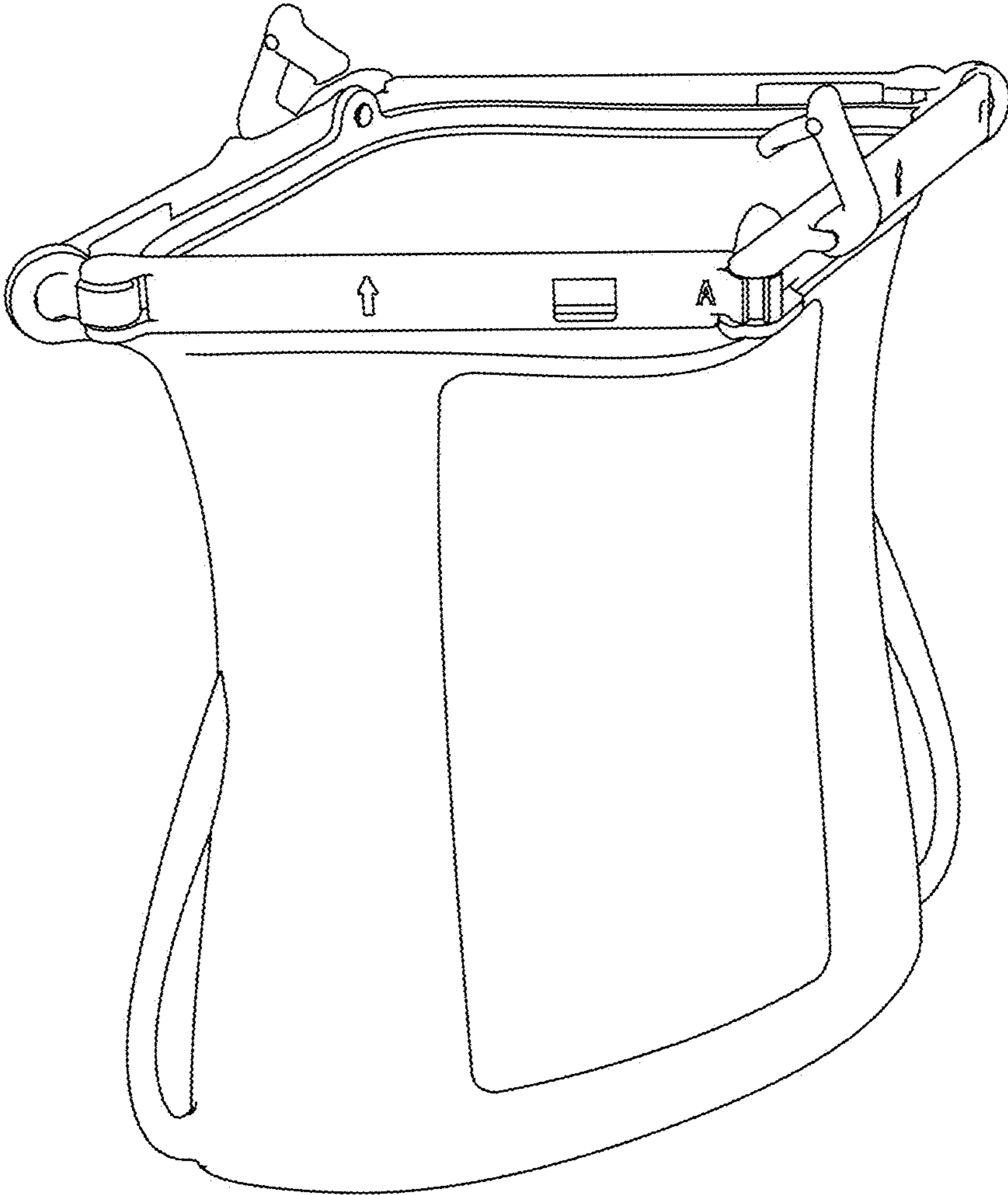


FIG. 8