



US00D886531S

(12) **United States Design Patent**
Geldzahler et al.

(10) **Patent No.:** **US D886,531 S**
(45) **Date of Patent:** **** Jun. 9, 2020**

- (54) **PRODUCT DISPENSER**
- (71) Applicants: **Alex Michael Geldzahler**, Denver, CO (US); **Maria Storch**, Denver, CO (US)
- (72) Inventors: **Alex Michael Geldzahler**, Denver, CO (US); **Maria Storch**, Denver, CO (US)
- (**) Term: **15 Years**
- (21) Appl. No.: **29/639,246**
- (22) Filed: **Mar. 5, 2018**
- (51) **LOC (12) Cl.** **07-01**
- (52) **U.S. Cl.**
USPC **D7/597**
- (58) **Field of Classification Search**
USPC ... D7/602, 707, 590, 592-597, 600.1-600.2, D7/630-632, 640; D6/524-525, 677.2, D6/692.4-692.5, 696.3, 520; D9/756, D9/761, 737-739, 741, 747, 758; 248/146; D3/292, 294-295, 905; 222/181.1-181.5, 182, 184-185, 222/189.02-189.05, 216, 344, 544, 556; 211/59.2, 59.4, 119.004
CPC . F16M 11/00; A47K 1/09; A47B 88/90; A47J 47/02; A47J 47/06; A47J 47/10
See application file for complete search history.

- 4,562,941 A * 1/1986 Sanfilippo G07F 11/44 222/108
 - 4,802,608 A * 2/1989 Hofmann A47G 19/24 220/259.2
 - D309,224 S * 7/1990 Rabin D6/515
- (Continued)

OTHER PUBLICATIONS

Acrylic Dry Food Dispenser, Choice, webstaurantsore.com, author nots listed, posted on Dec. 16, 2017 per wayback machine © 2003-2017 WebstaurantStore, online, site visited Jul. 24, 2019. Available from Internet, URL: <https://www.webstaurantstore.com/choice-acrylic-coffee-bean-dry-food-dispenser/> . . . (Year: 2017).*

Primary Examiner — Marissa J Cash
Assistant Examiner — Altaira J Swangin
(74) *Attorney, Agent, or Firm* — Reilly Intellectual Property Law Firm

(57) **CLAIM**

The ornamental design for a product dispenser, as shown and described.

DESCRIPTION

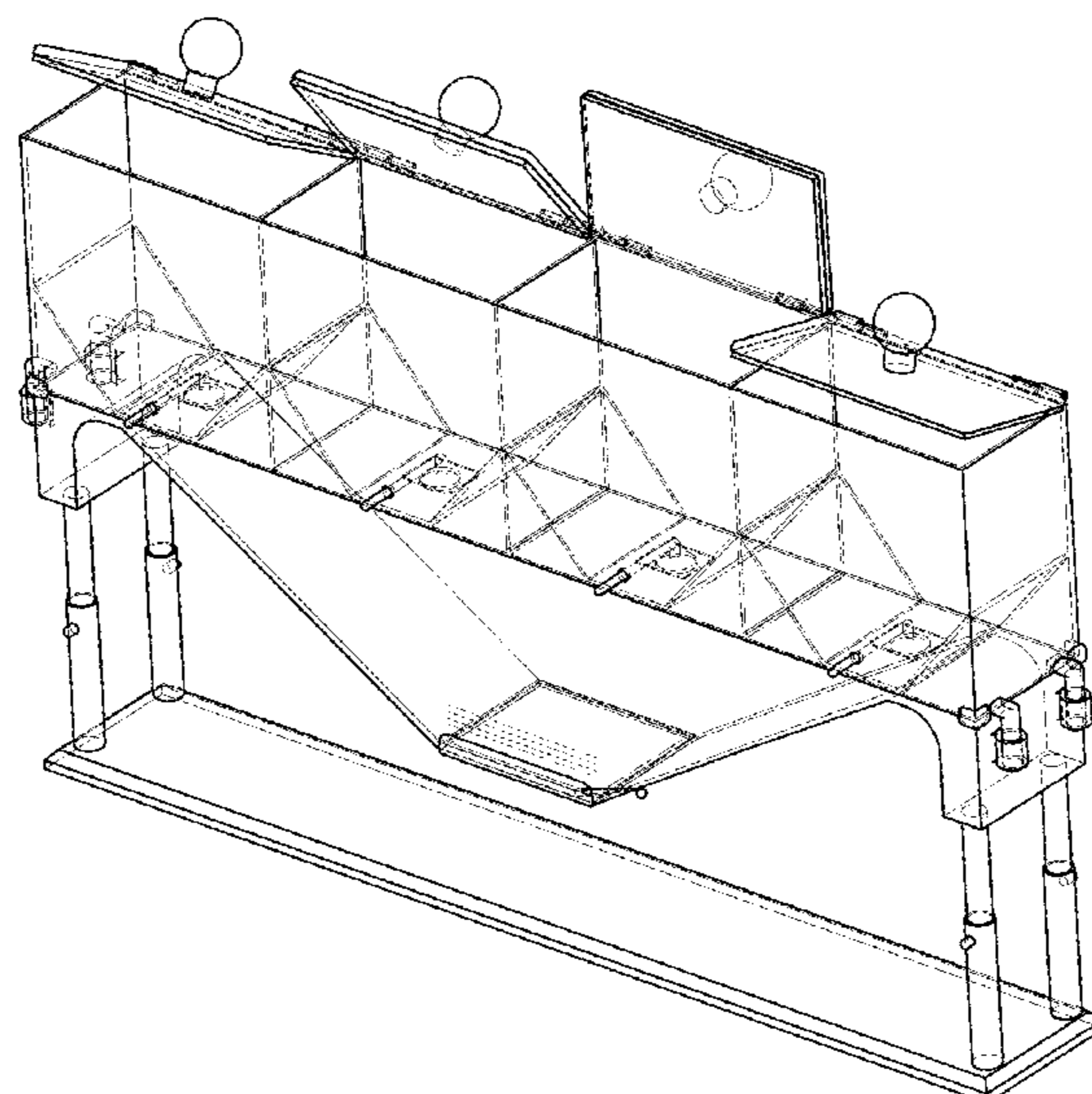
FIG. 1 is a top, front right perspective view of a product dispenser, showing our new design;
FIG. 2 is a top view of FIG. 1;
FIG. 3 is a front view of FIG. 1;
FIG. 4 is a bottom view of FIG. 1;
FIG. 5 is a left side view of FIG. 1;
FIG. 6 is a right side view of FIG. 1;
FIG. 7 is a rear view of FIG. 1;
FIG. 8 is an exploded top front right perspective view of FIG. 1; and,
FIG. 9 is an exploded top rear left perspective view of FIG. 1.
The dashed lines of FIGS. 1, 3, 7, 8 and 9 are included to show measuring environment that forms no part of the claimed design.

1 Claim, 6 Drawing Sheets

(56) **References Cited**

U.S. PATENT DOCUMENTS

- 2,522,768 A * 9/1950 Wiepert A45C 1/10 206/0.81
- 2,946,636 A * 7/1960 Penney A47K 10/3827 312/34.22
- 4,032,048 A * 6/1977 Nichols B65D 90/623 222/185.1
- 4,073,410 A * 2/1978 Melcher E02D 17/12 222/181.3
- D249,979 S * 10/1978 Fernandez D3/204
- D261,455 S * 10/1981 Ewert D7/592



(56)

References Cited

U.S. PATENT DOCUMENTS

5,054,934 A * 10/1991 Kintz A47G 19/34
 222/189.02
 5,139,173 A * 8/1992 Evinger A47F 1/03
 222/156
 D335,242 S 5/1993 Saunders
 5,240,150 A * 8/1993 Palmon F25C 5/24
 222/216
 D340,603 S * 10/1993 Ellison D6/515
 5,277,332 A * 1/1994 Rogers A47K 5/12
 221/96
 D347,347 S * 5/1994 Erdman D6/544
 5,529,219 A * 6/1996 Ward A47K 5/1214
 222/156
 5,551,604 A * 9/1996 Kern A47F 1/03
 222/349
 D383,342 S * 9/1997 Duncan D6/520
 D385,746 S * 11/1997 Fritz D7/300
 5,730,333 A * 3/1998 Baluk A47F 1/03
 222/181.3
 D430,423 S * 9/2000 Sicignano, III D6/517
 6,321,949 B1 * 11/2001 Pittaway B65D 5/76
 222/189.02
 6,488,182 B1 * 12/2002 Mohanraju G01F 11/40
 222/307
 D511,429 S * 11/2005 Lor D6/520
 6,991,134 B2 1/2006 Bailey
 D547,984 S * 8/2007 Wolfson D6/520
 D551,000 S * 9/2007 Romano D6/520

D559,613 S * 1/2008 DeMirjian, III D7/357
 D563,129 S * 3/2008 Wolfson D6/520
 D576,434 S * 9/2008 Wolfson D6/520
 7,451,015 B2 11/2008 Mazur
 7,461,763 B1 * 12/2008 Winn A47F 1/03
 222/158
 7,690,518 B2 * 4/2010 Fincher A47F 1/12
 211/59.2
 7,882,987 B2 2/2011 Sholem
 9,187,234 B2 * 11/2015 Codoni A47F 1/10
 9,445,610 B1 * 9/2016 Rouillard A23B 7/04
 9,574,920 B2 2/2017 Enns
 D804,177 S * 12/2017 Zemel D3/295
 D824,253 S * 7/2018 Mayer D9/432
 10,219,635 B2 * 3/2019 Eso, Jr. A47F 1/03
 2005/0247733 A1 * 11/2005 Bailey A47J 43/22
 222/189.02
 2006/0243683 A1 * 11/2006 Onachilla A47F 1/08
 211/59.2
 2008/0099509 A1 5/2008 Mountjoy
 2008/0138477 A1 * 6/2008 Mular A47J 47/10
 426/392
 2009/0250490 A1 * 10/2009 Straza A47J 42/40
 222/132
 2014/0263394 A1 * 9/2014 Horian A47G 21/12
 221/192
 2015/0027201 A1 * 1/2015 Minard G01F 19/00
 73/1.73
 2015/0375984 A1 * 12/2015 Arcand B67D 7/3281
 141/94
 2017/0241824 A1 * 8/2017 Rusch G01F 11/006

* cited by examiner

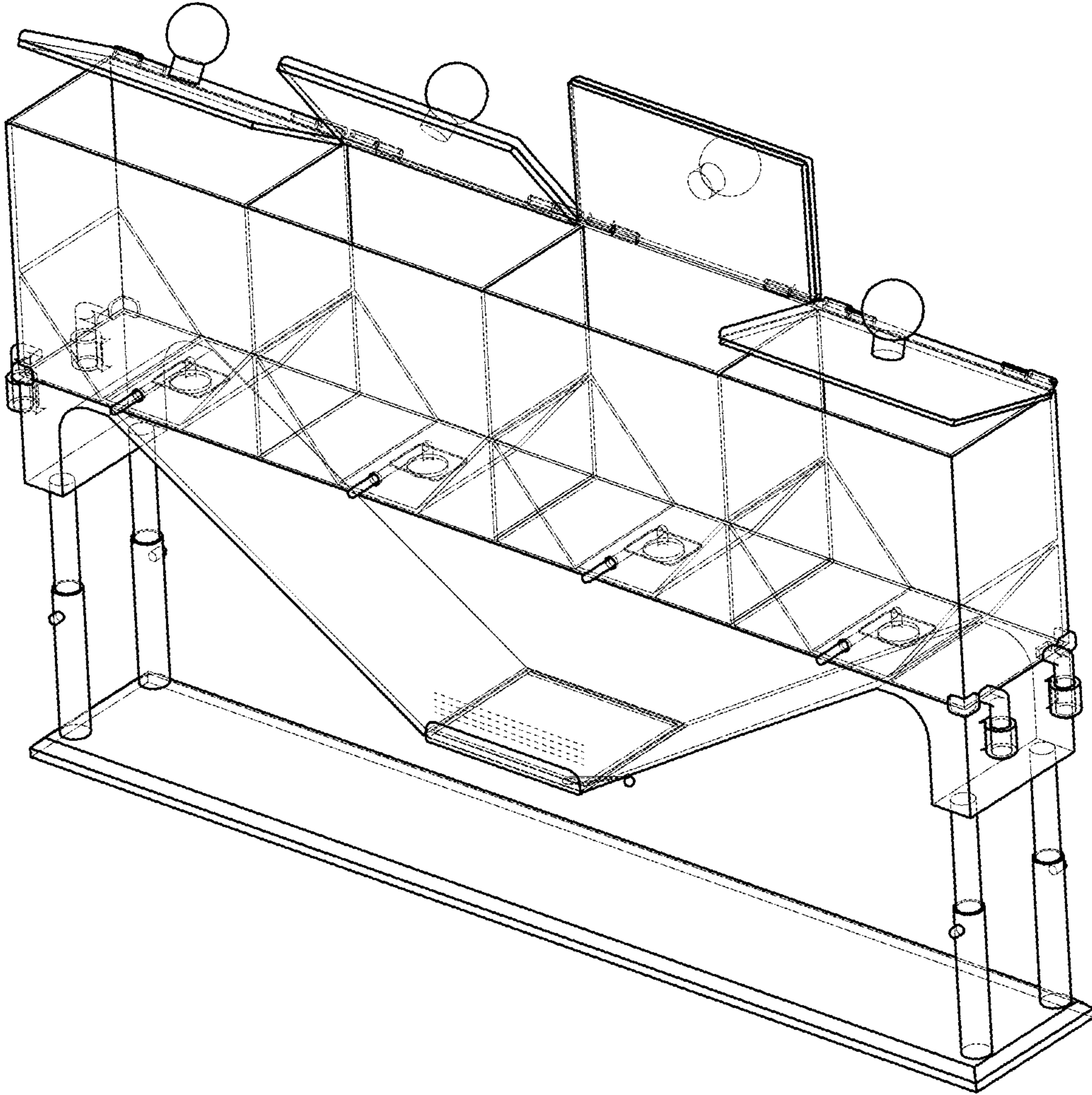


Fig. 1

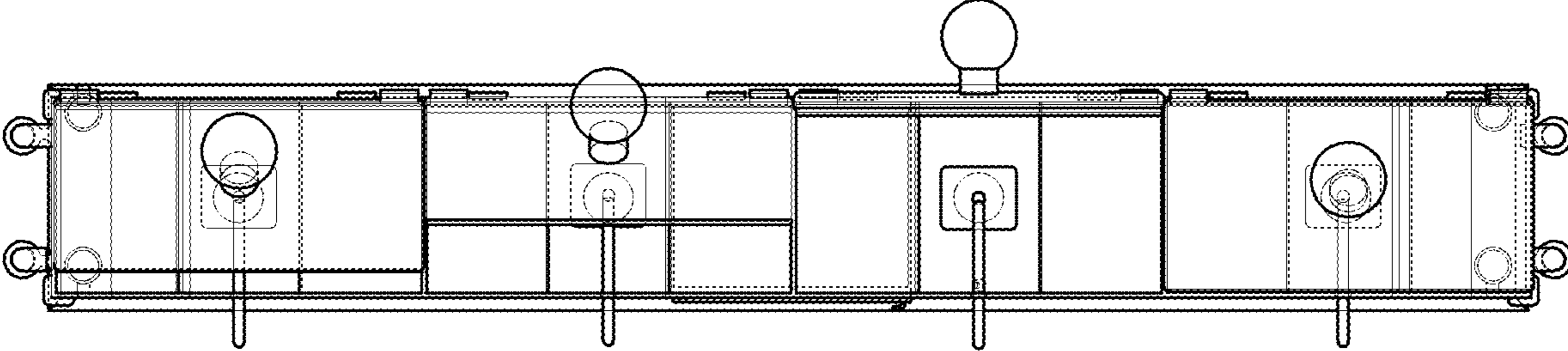


Fig. 2

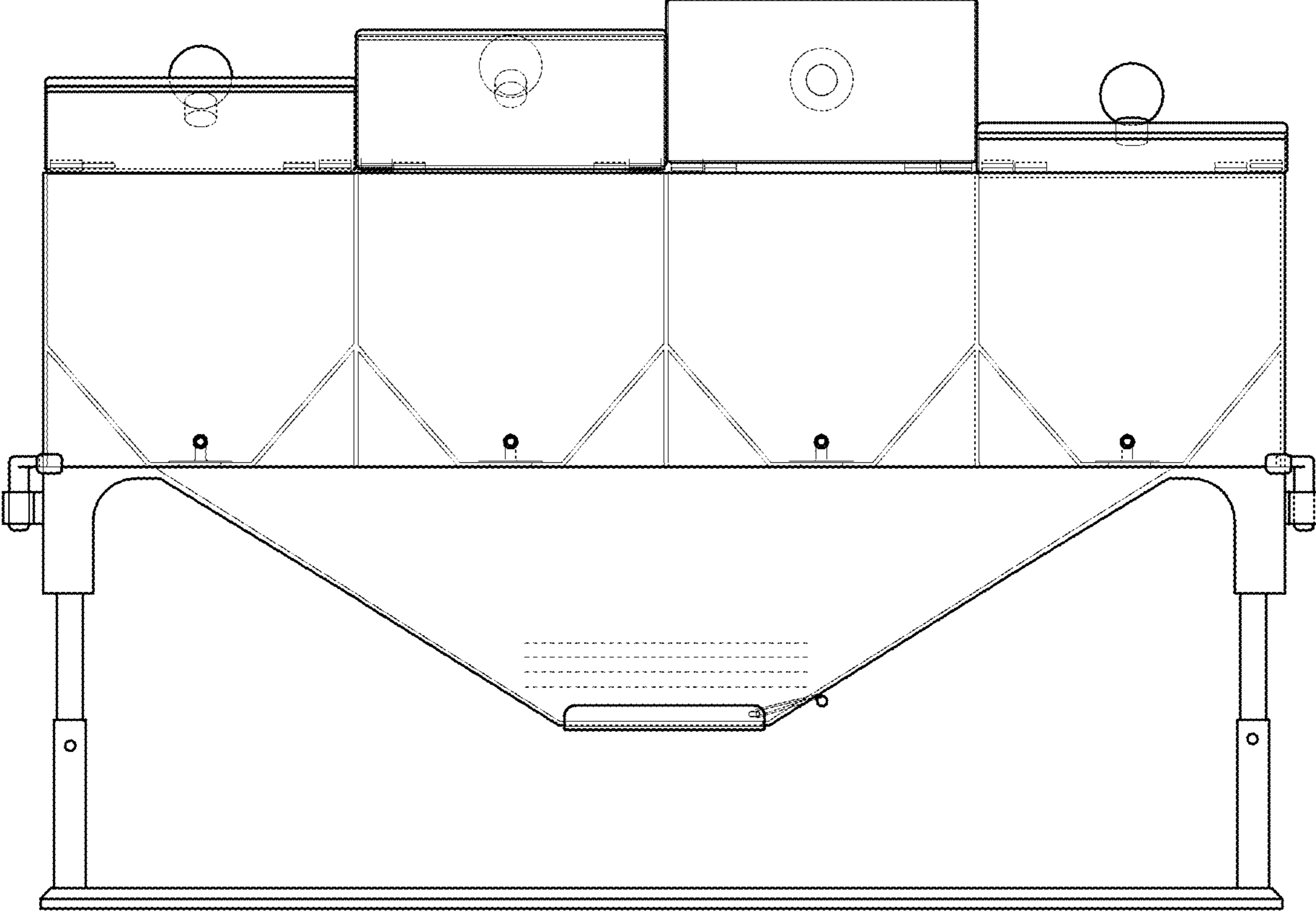


Fig. 3

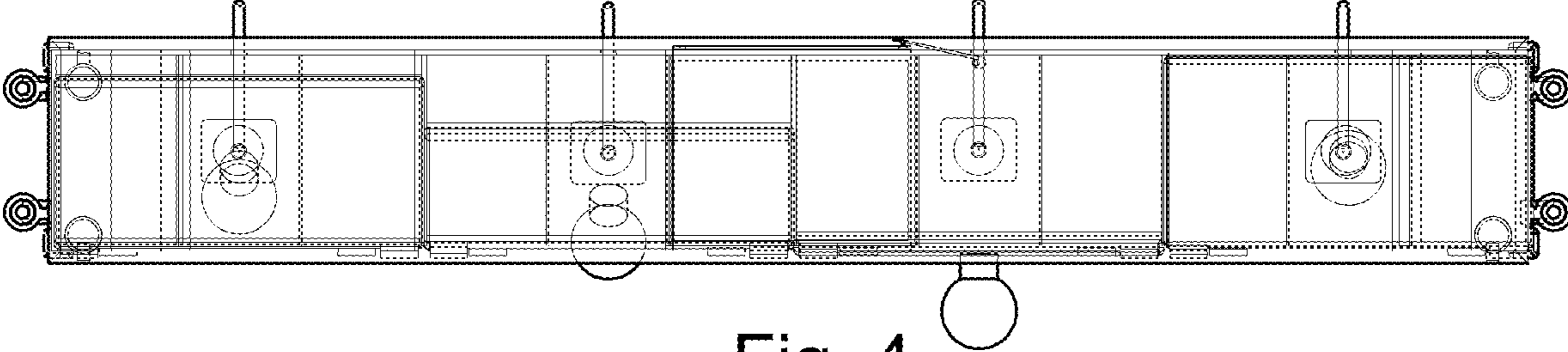


Fig. 4

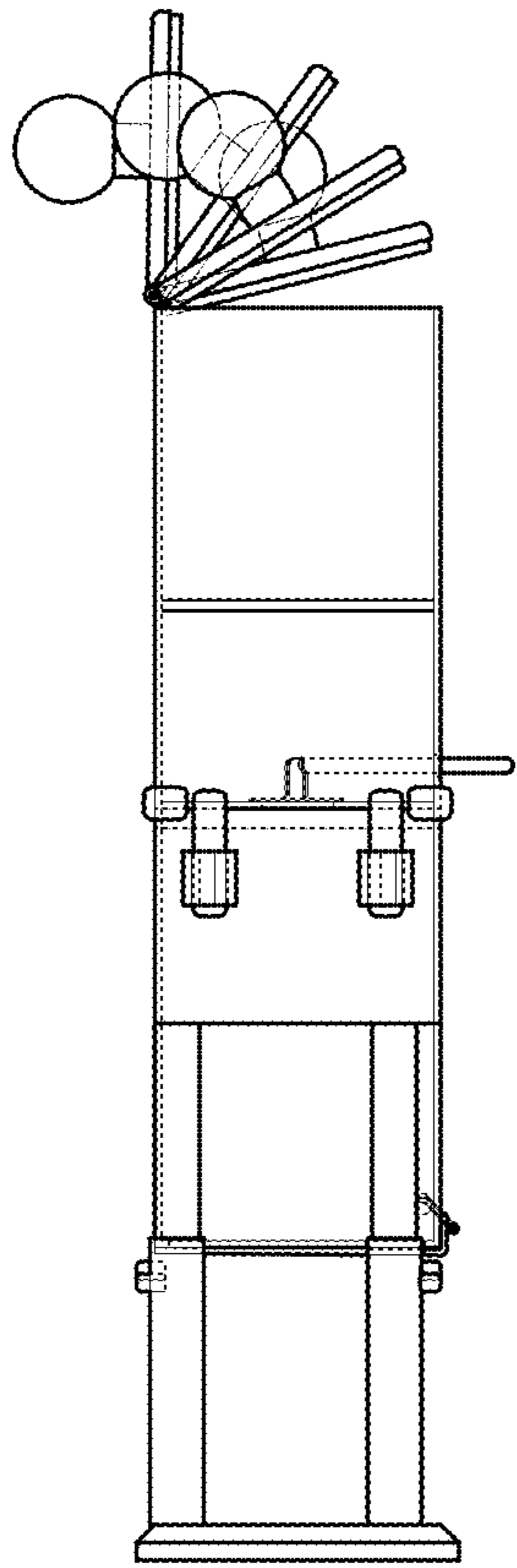


Fig. 5

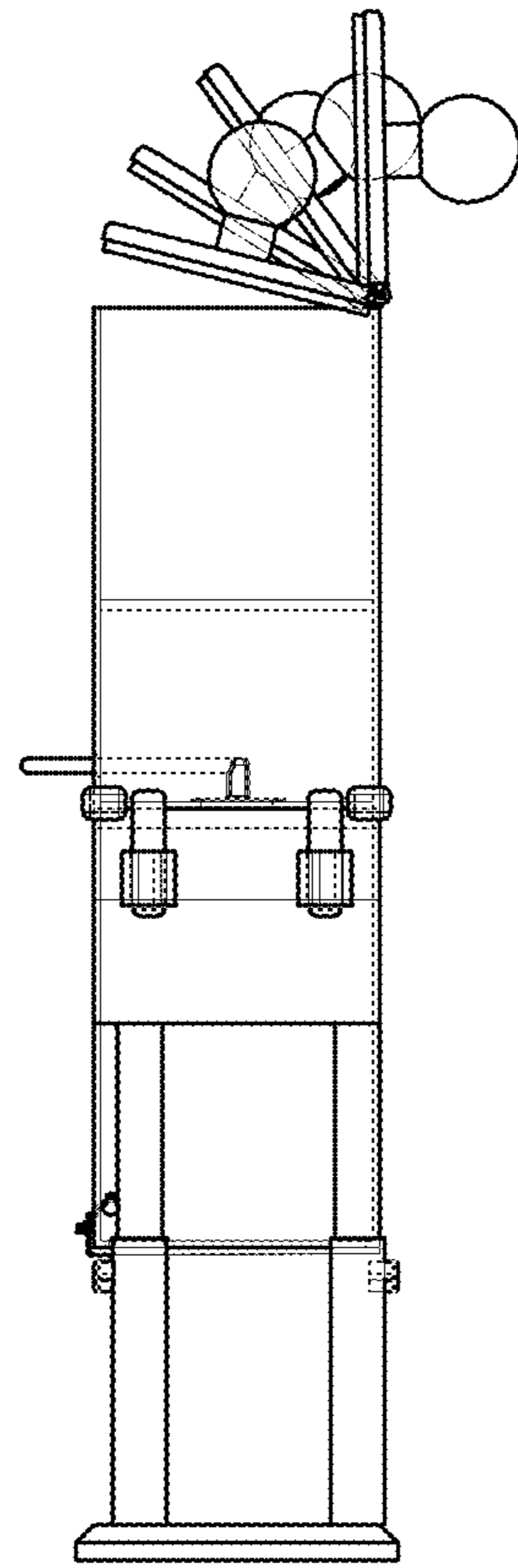


Fig. 6

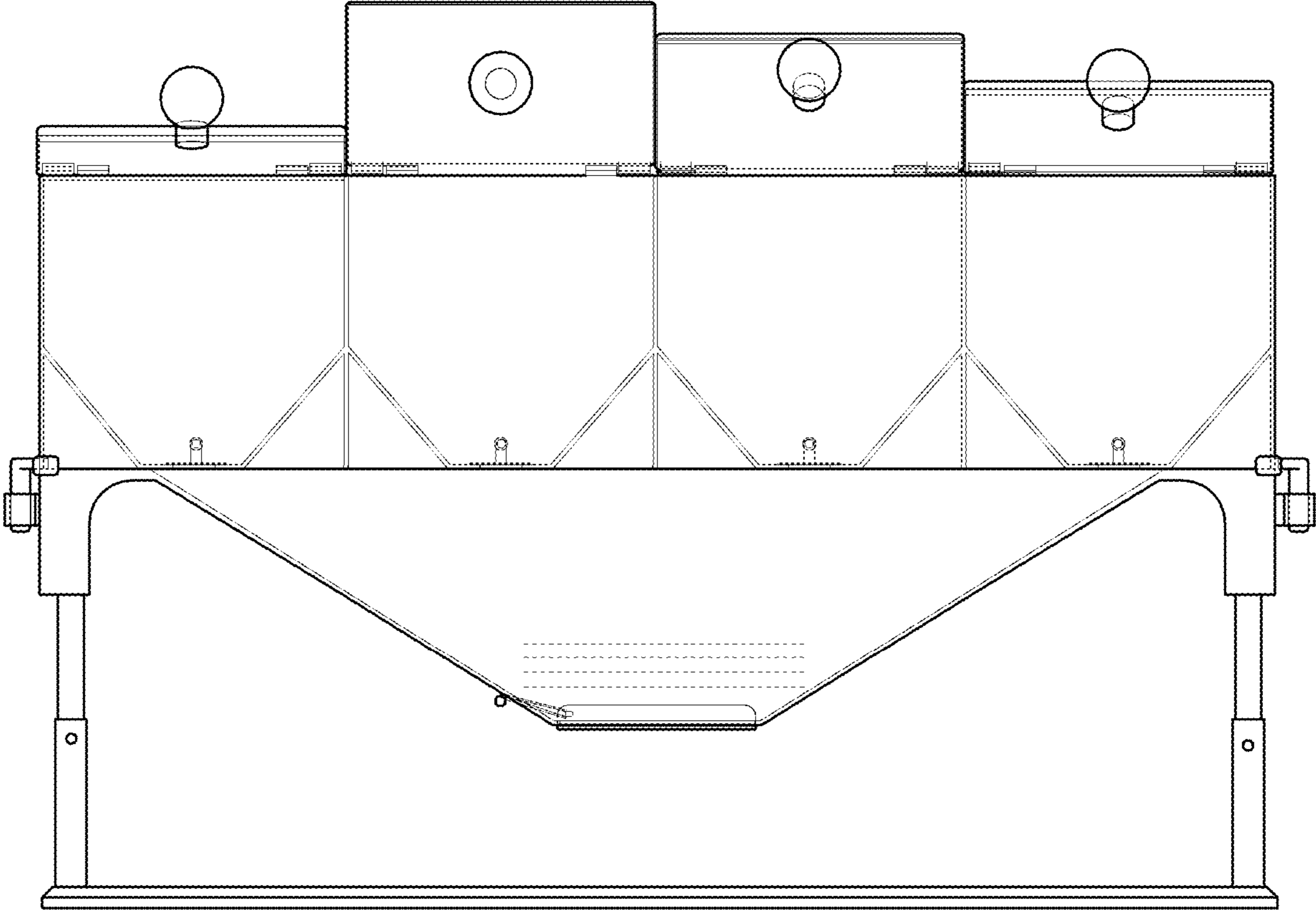


Fig. 7

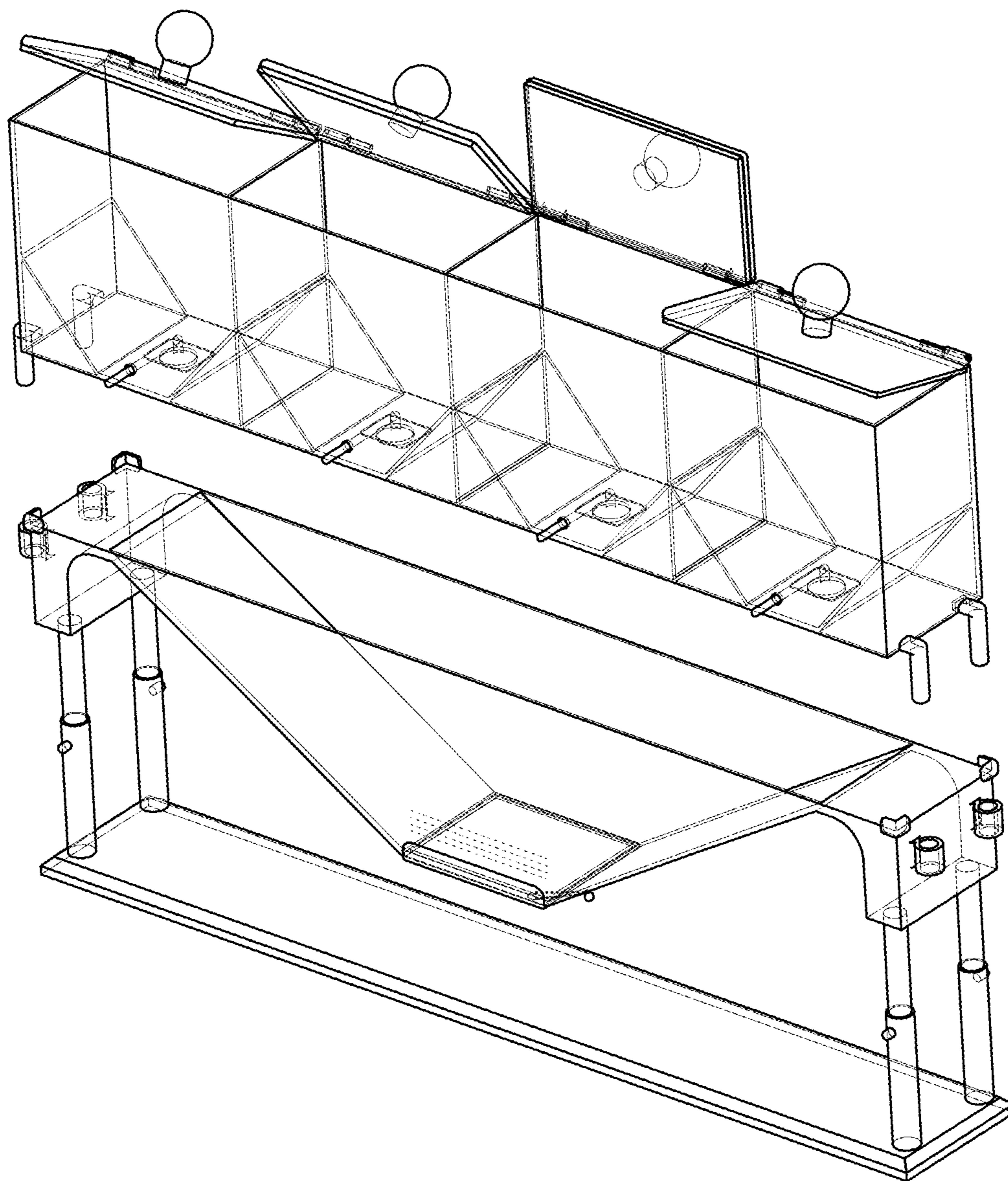


Fig. 8

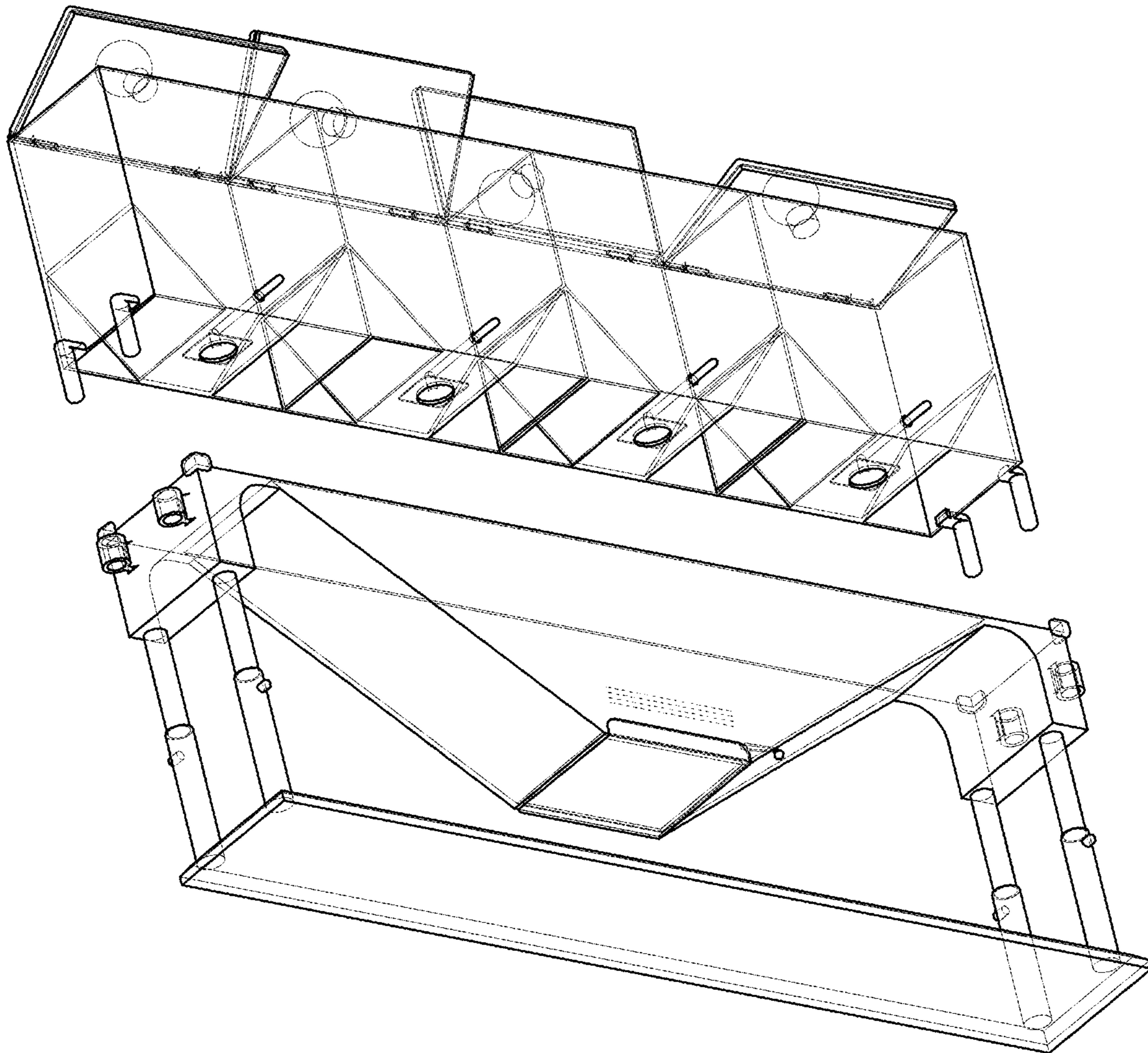


Fig. 9