



US00D886530S

(12) **United States Design Patent** (10) **Patent No.:** **US D886,530 S**
Vazin (45) **Date of Patent:** **** Jun. 9, 2020**

- (54) **SERVING TRAY**
- (71) Applicant: **AMERICAN MAID PLASTIC COMPANY, Riverside, CA (US)**
- (72) Inventor: **Moe Vazin, Rancho Palos Verdes, CA (US)**
- (73) Assignee: **AMERICAN MAID PLASTIC CO., Riverside, CA (US)**
- (**) Term: **15 Years**
- (21) Appl. No.: **29/742,083**
- (22) Filed: **Dec. 3, 2019**
- (51) **LOC (12) Cl.** **07-01**
- (52) **U.S. Cl.**
USPC **D7/556; D7/555; D9/632**
- (58) **Field of Classification Search**
USPC D7/391, 392.1, 392, 399, 397, 388, D7/624.1, 409, 588, 560, 554.2, 584, D7/554.1, 545, 586, 587, 585, 562, 500, D7/555, 556; D9/454, 452, 632
CPC A47G 19/00; A47G 19/065; A47G 23/02; A47C 15/505; A47D 23/06; B65D 1/36
See application file for complete search history.

- D568,112 S * 5/2008 Epstein D7/554.2
- D587,529 S * 3/2009 Pratt D7/553.8
- D738,579 S * 9/2015 Owens D30/132
- D774,361 S * 12/2016 Laurain D6/616
- D806,481 S * 1/2018 Hinze D7/558
- D848,218 S * 5/2019 Reaux D7/584
- 2008/0029426 A1 * 2/2008 Anderson B65D 1/36
206/567
- 2015/0008231 A1 * 1/2015 Kellow, Jr. A47G 19/065
220/575

OTHER PUBLICATIONS

https://www.google.com/search?q=sombrero+shaped+tray+with+center+that+opens&tbm=isch&tbs=rimg:CWeU9g3VTLQKImAcoZDAVsdBBmPn-Exqa9zA-FsTh9_1l5Cli2S1CvIoBIAUv5YaEM40VFpg_1ex7jl-Z

* cited by examiner

Primary Examiner — Marianne N Pandozzi
(74) *Attorney, Agent, or Firm* — Jonathan E. Grant; Grant Patent Services

(57) **CLAIM**

The ornamental design of the serving tray, as shown and described.

DESCRIPTION

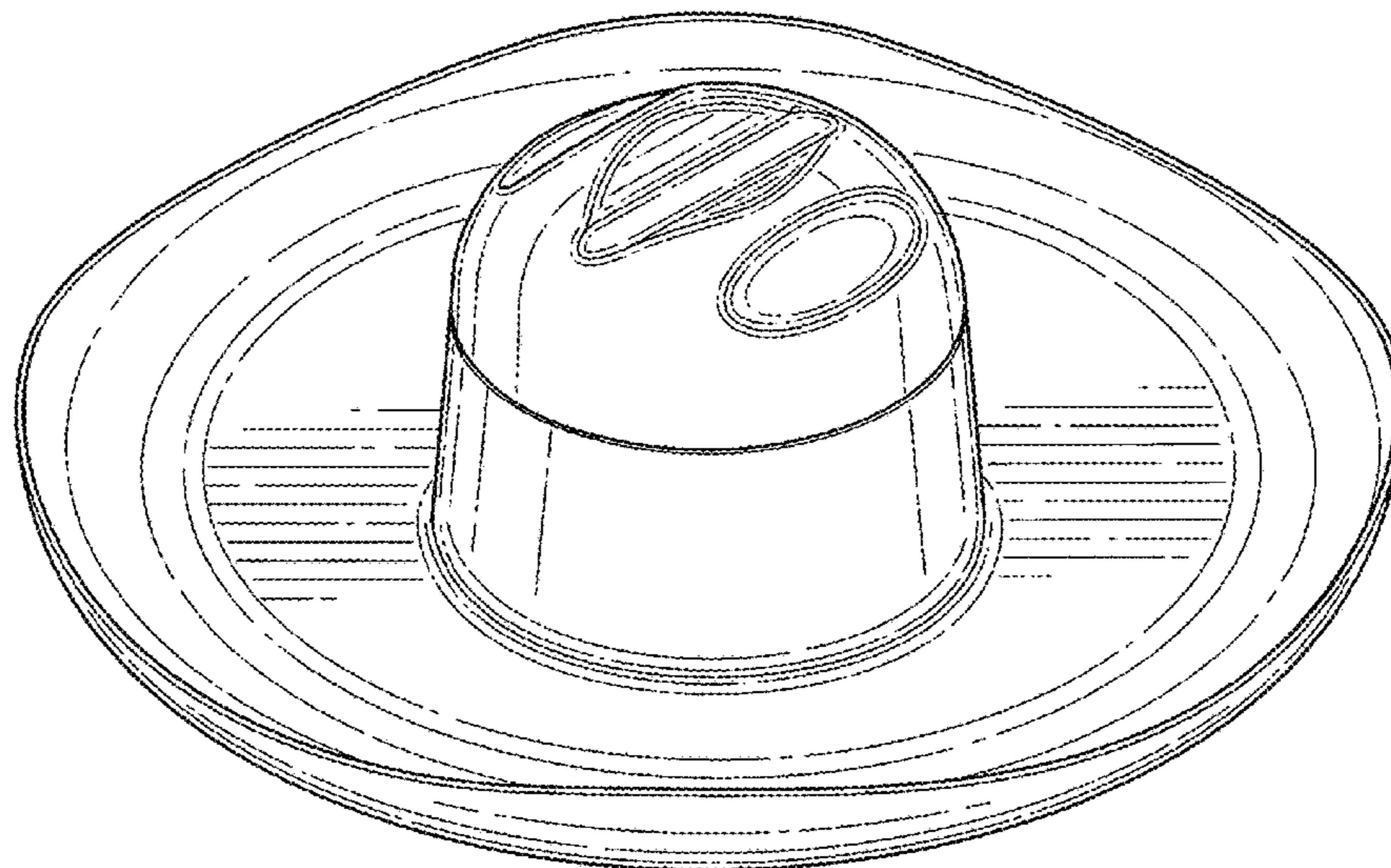
FIG. 1 is a perspective view of a serving tray showing our new design;
FIG. 2 is a first side view thereof;
FIG. 3 is a second side view thereof;
FIG. 4 is a front view thereof;
FIG. 5 is a back view thereof;
FIG. 6 is a top view thereof;
FIG. 7 is a bottom view thereof; and,
FIG. 8 is a cross sectional view taken along line 8-8 of FIG. 6.
The broken lines in the drawing depict environmental subject matter only and form no part of the claimed design.

1 Claim, 6 Drawing Sheets

(56) **References Cited**

U.S. PATENT DOCUMENTS

- 2,352,684 A * 7/1944 Braddock A47G 23/06
220/23.6
- D178,588 S * 8/1956 Woodson D7/556
- D216,674 S * 3/1970 Saji D9/616
- D233,642 S * 11/1974 Arnold D7/628
- D263,915 S * 4/1982 Kohan
- D373,078 S * 8/1996 Cheng D2/869
- D461,119 S * 8/2002 Hill D9/632
- D488,741 S * 4/2004 Moya D11/143
- D516,867 S * 3/2006 Martin D7/586
- D527,224 S * 8/2006 Roth D7/540
- D527,954 S * 9/2006 Roth D7/557
- D555,996 S * 11/2007 Romero D8/38



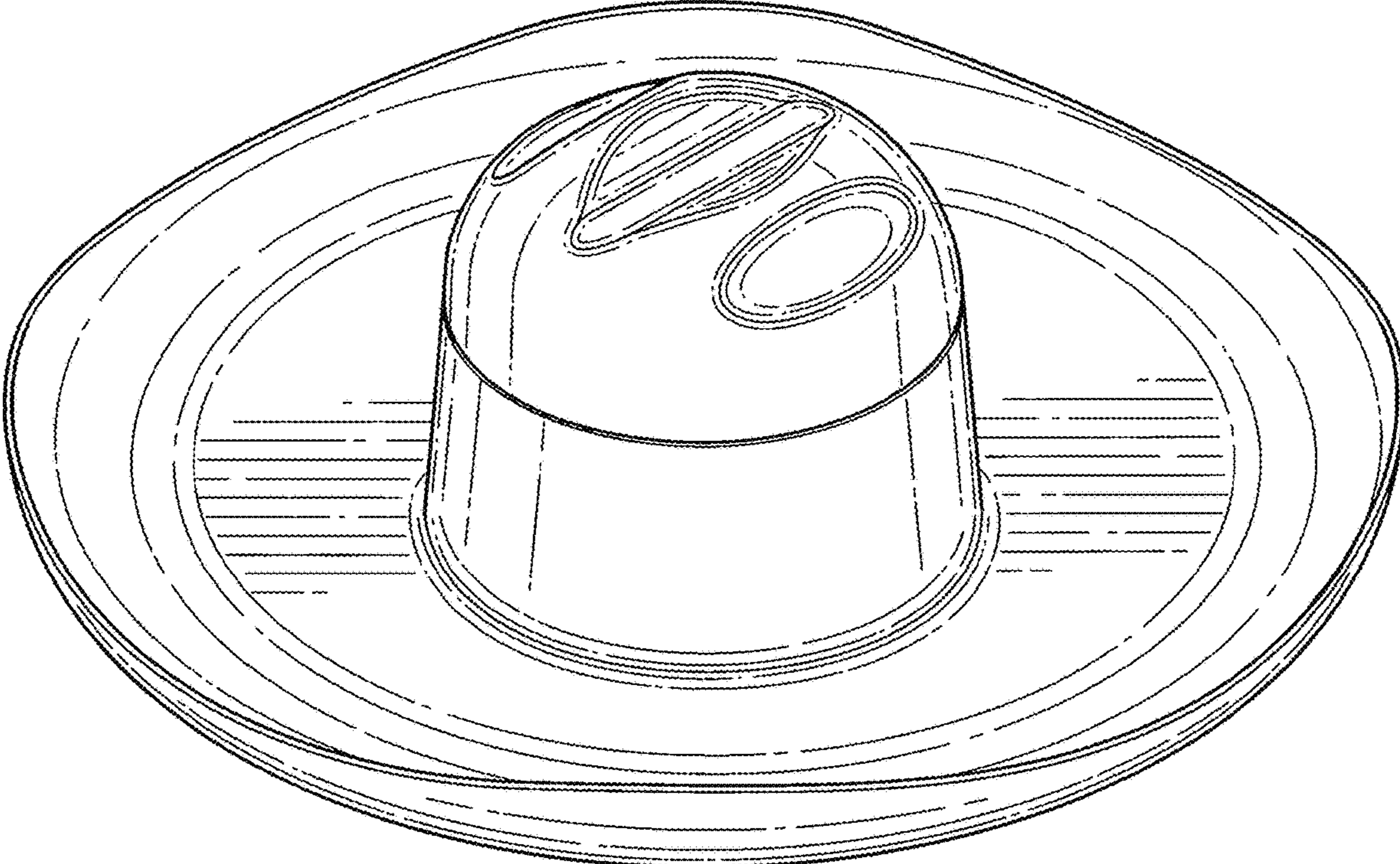


FIG. 1

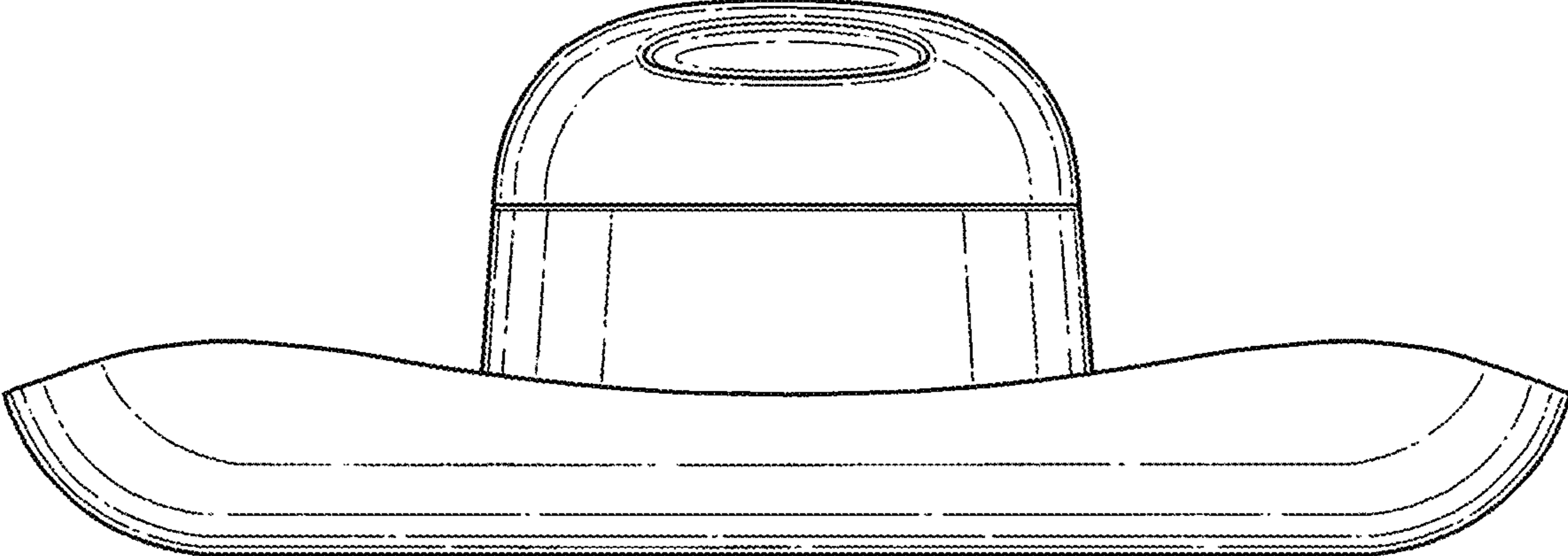


FIG. 2

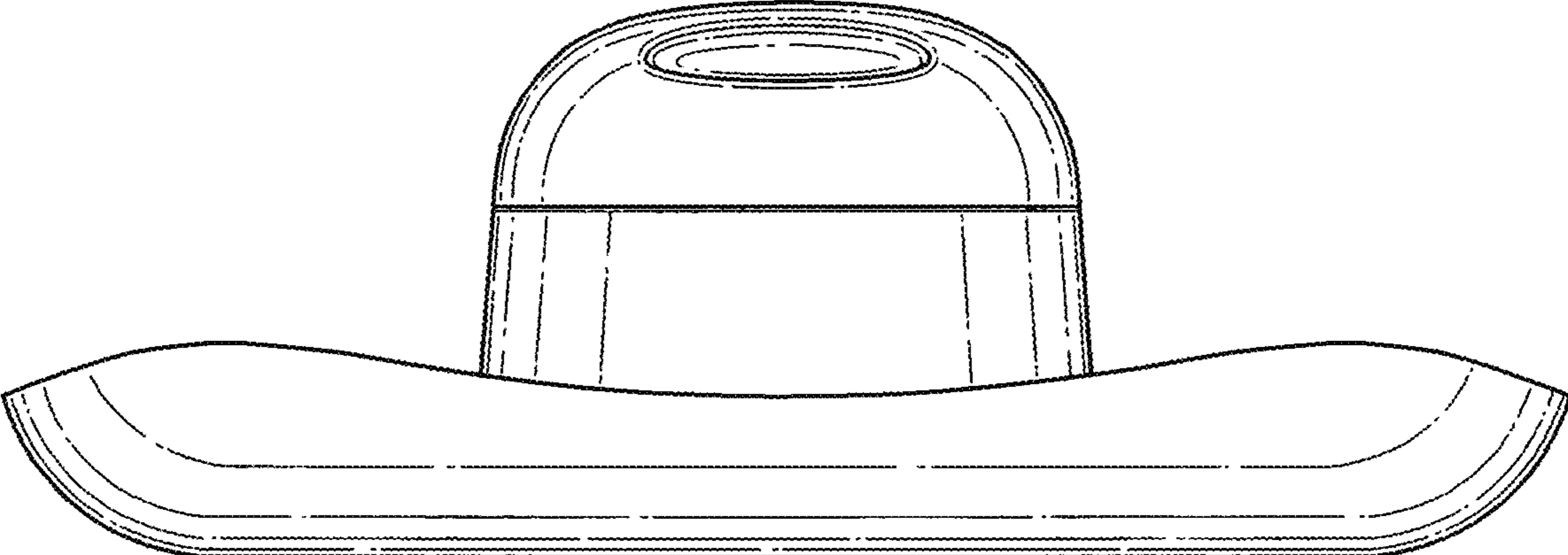


FIG. 3

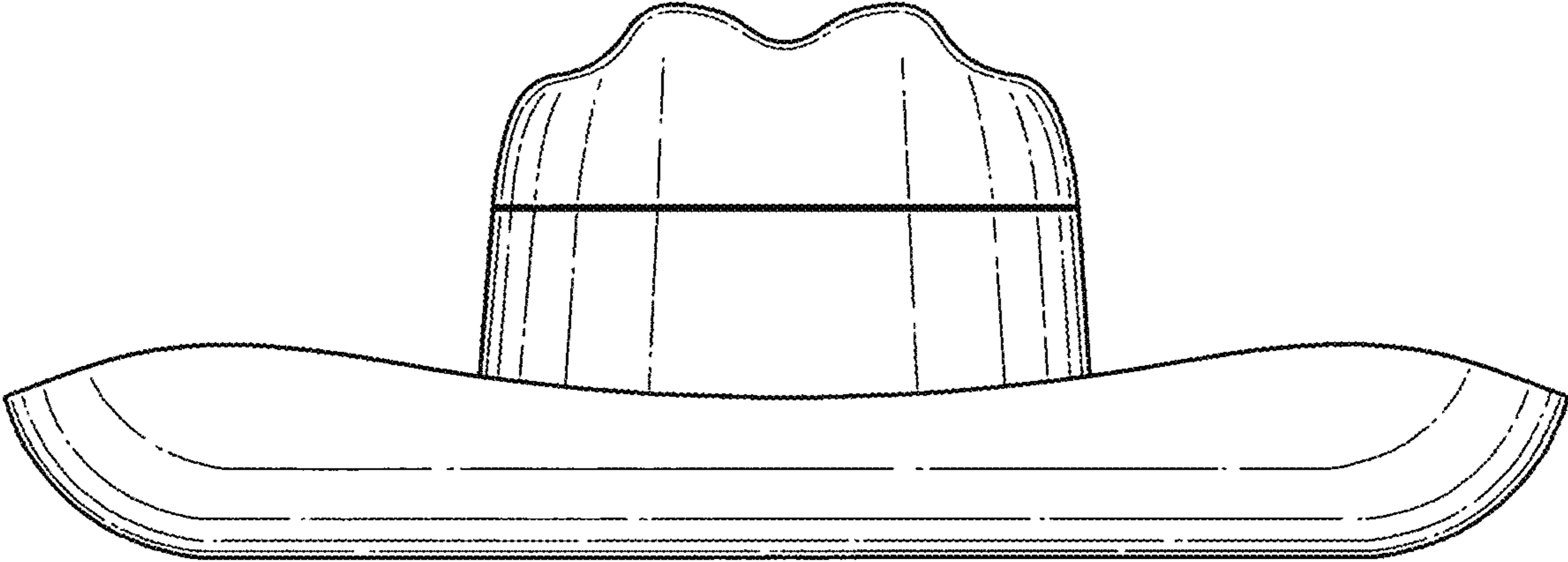


FIG. 4

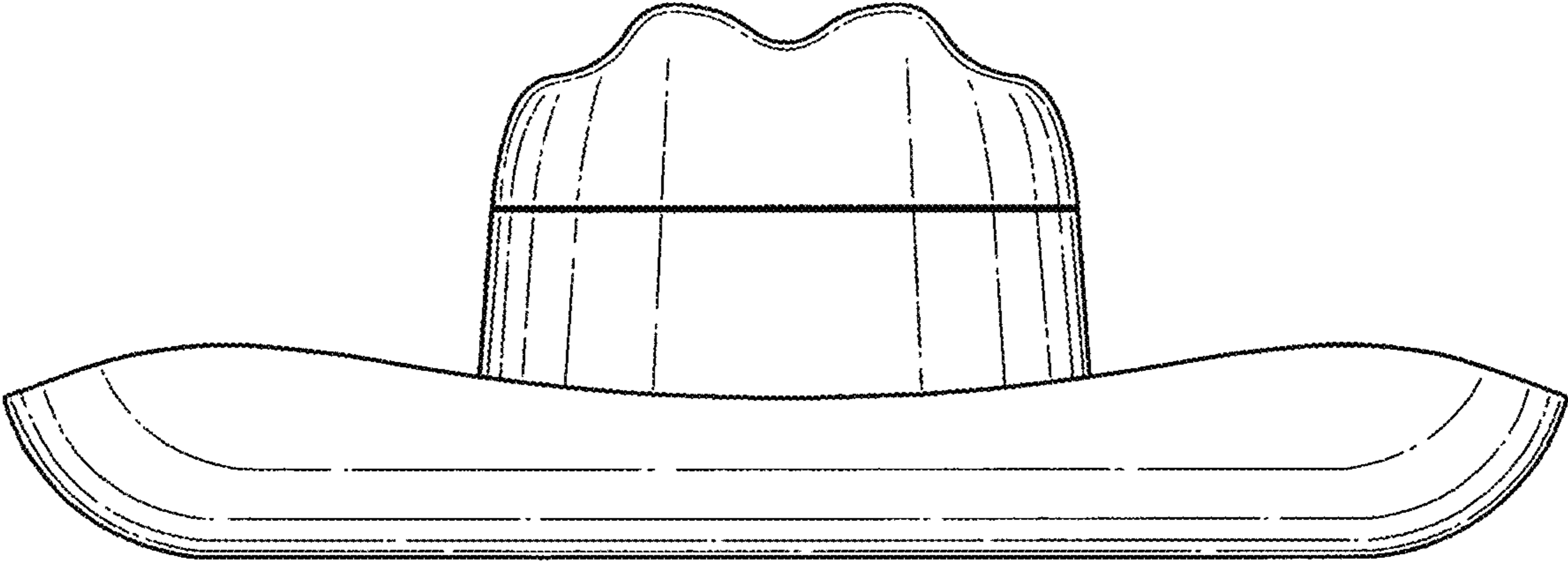


FIG. 5

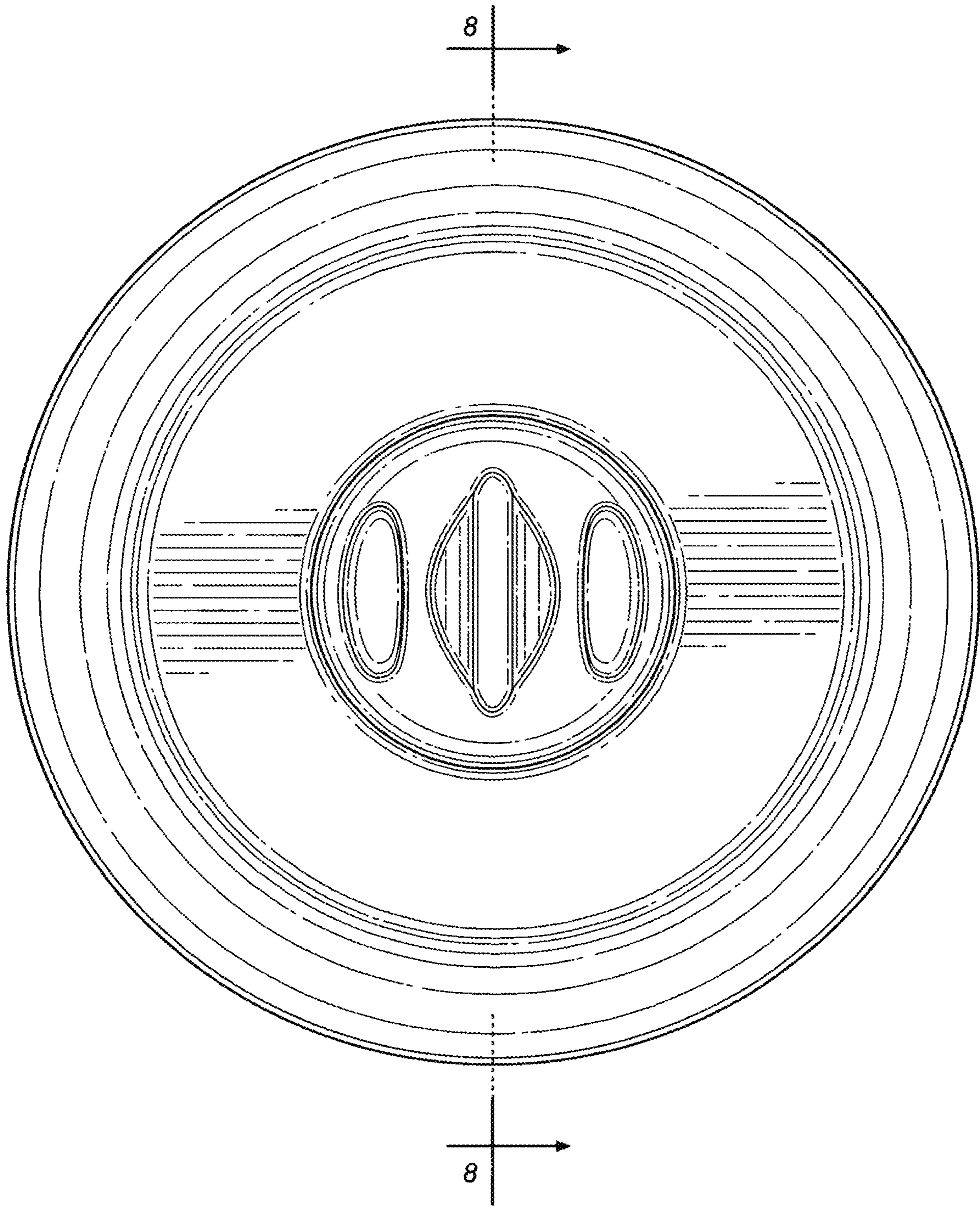


FIG. 6

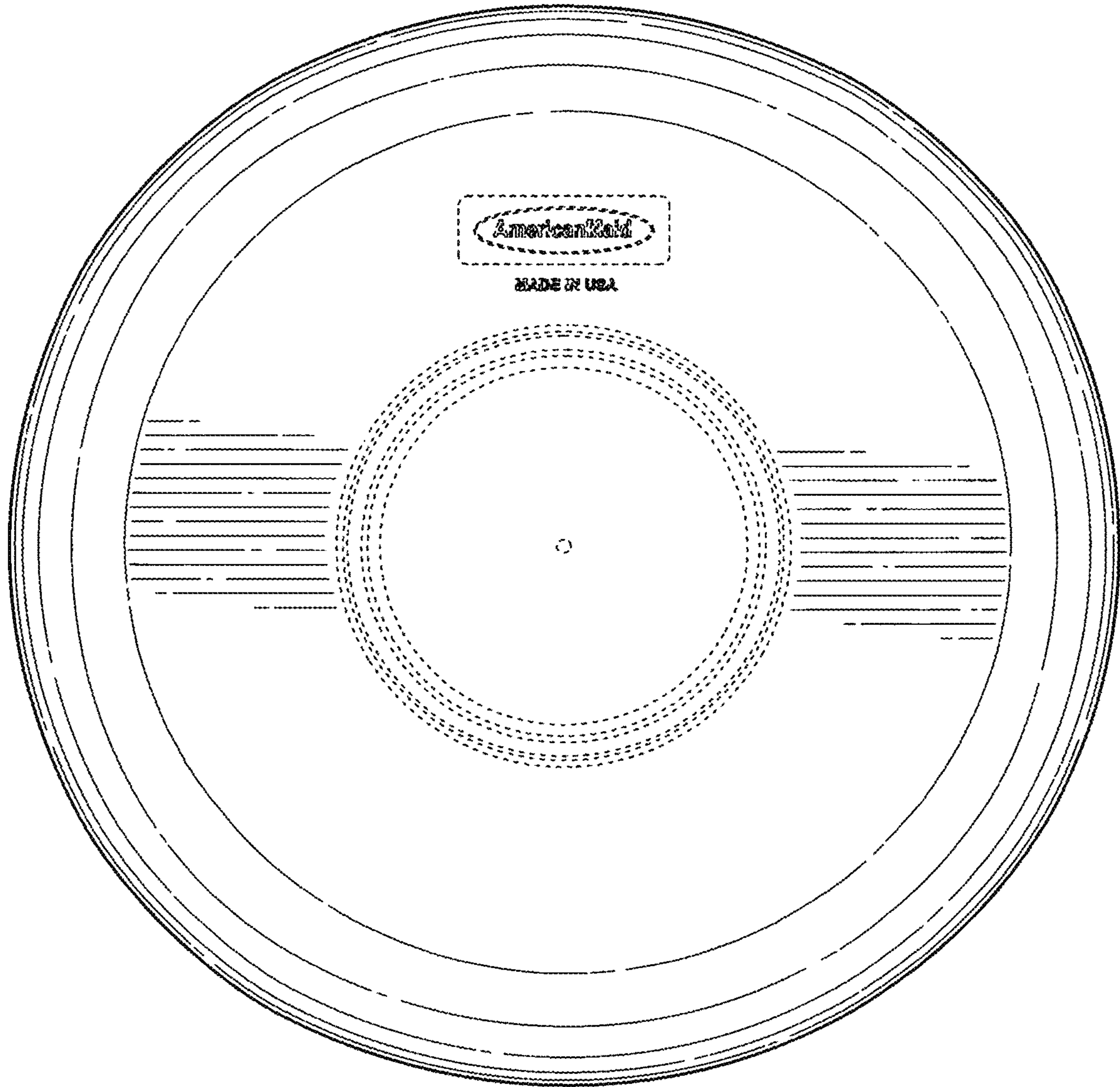


FIG. 7

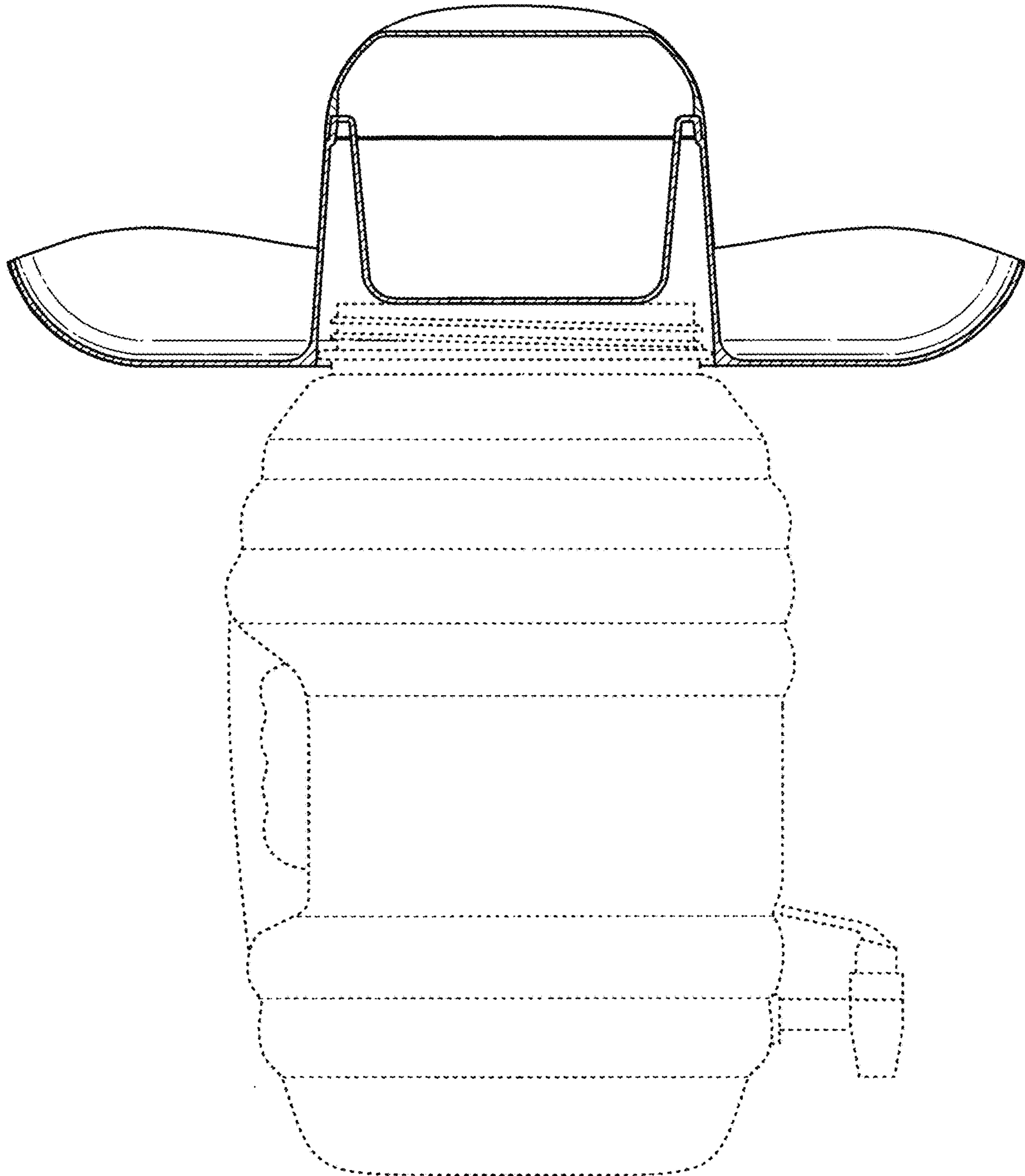


FIG. 8