



US00D886527S

(12) **United States Design Patent**
Huang

(10) **Patent No.:** **US D886,527 S**

(45) **Date of Patent:** **** Jun. 9, 2020**

(54) **WATER BOTTLE**

(71) Applicant: **Lihua Huang**, Guangdong (CN)

(72) Inventor: **Lihua Huang**, Guangdong (CN)

(73) Assignee: **Shenzhen Xinyuetang Plastic & Hardware Co., Ltd.**, Shenzhen (CN)

(**) Term: **15 Years**

(21) Appl. No.: **29/641,589**

(22) Filed: **Mar. 23, 2018**

(51) **LOC (12) Cl.** **07-01**

(52) **U.S. Cl.**
USPC **D7/511; D9/537; D9/540**

(58) **Field of Classification Search**
USPC D7/509, 510, 511, 533, 536, 589, 600,
D7/619.1, 622; D9/516, 523, 529, 530,
D9/531, 537, 540
CPC B65D 1/02; B65D 250/0081; B65D
2525/288; B65D 25/205; B65D 25/28;
B65D 25/56; B65D 50/04; B65D 50/048;
A47G 19/2266

See application file for complete search history.

(56) **References Cited**

U.S. PATENT DOCUMENTS

D644,065 S * 8/2011 Llerena D7/300.1
8,746,453 B1 * 6/2014 Hall B65D 21/0202
206/504

D805,846 S * 12/2017 Kirkpatrick D7/510
D807,184 S * 1/2018 Vazin D9/531
D810,573 S * 2/2018 Vazin D9/531
D816,409 S * 5/2018 Sawyer D7/510
D833,224 S * 11/2018 Wahlkvist D7/510
D838,598 S * 1/2019 Melkonian D9/531
D844,384 S * 4/2019 Potter D7/510

* cited by examiner

Primary Examiner — Derrick E Holland

Assistant Examiner — Andrew Kerr

(57) **CLAIM**

The ornamental design for a water bottle, as shown and described.

DESCRIPTION

FIG. 1 is a perspective view of a water bottle showing my new design;

FIG. 2 is a front elevation view thereof;

FIG. 3 is a rear elevation view thereof;

FIG. 4 is a left side elevation view thereof;

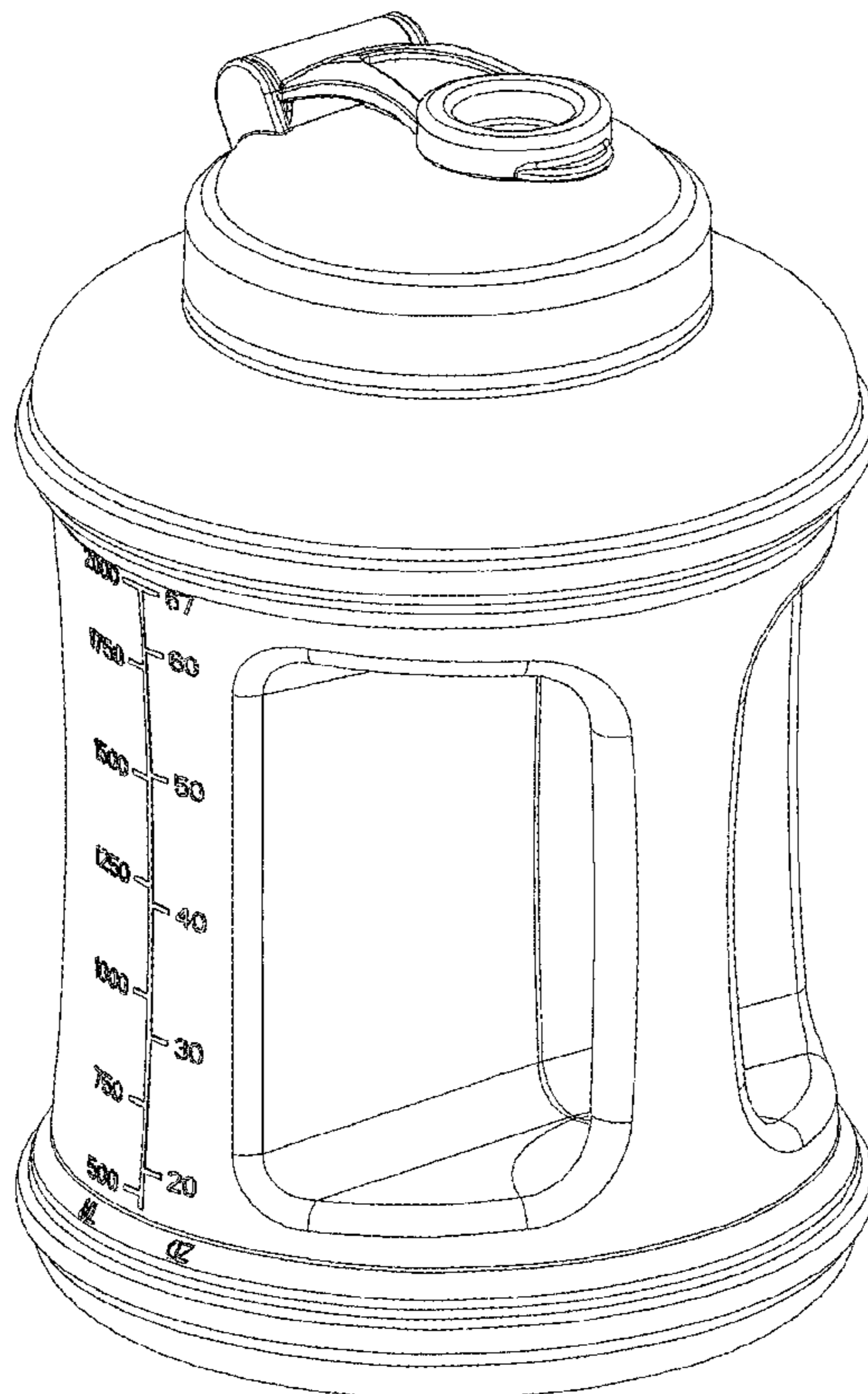
FIG. 5 is a right side elevation view thereof;

FIG. 6 is a top plan view thereof; and,

FIG. 7 is a bottom plan view thereof.

The broken lines in FIGS. 2, 3, 4, 6, and 7 represent environmental structure and form no part of the claimed design.

1 Claim, 7 Drawing Sheets



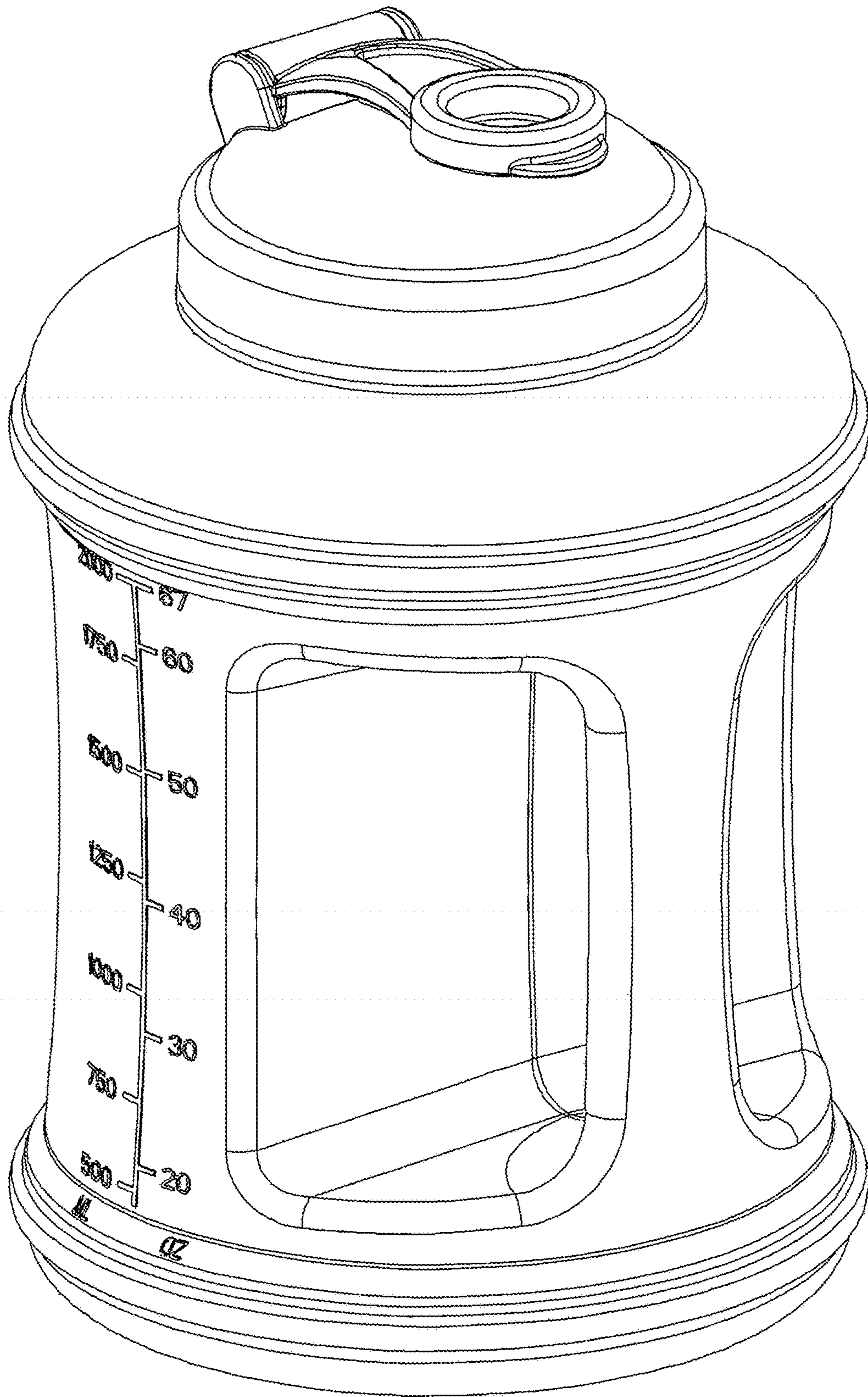


FIG. 1

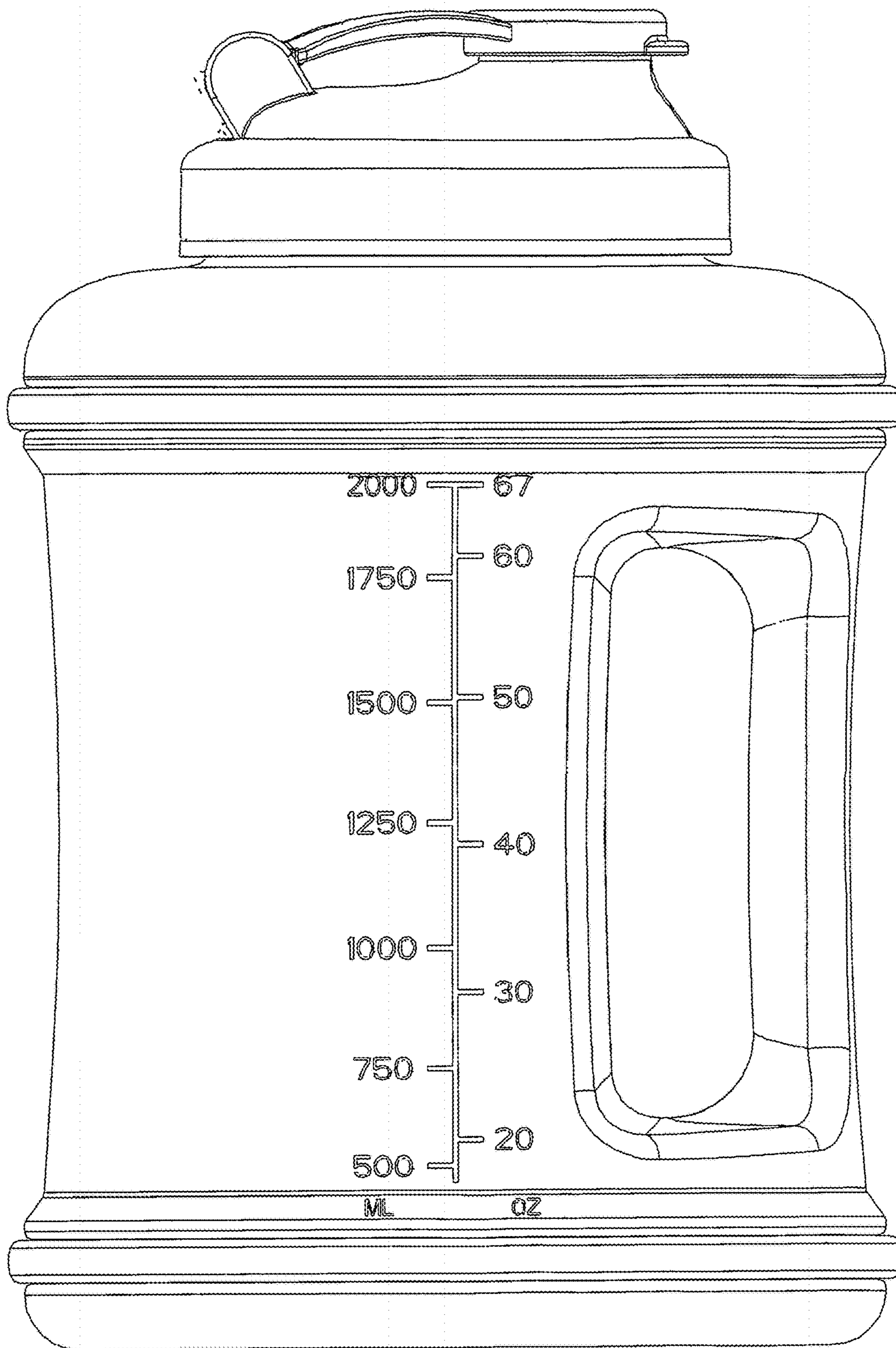


FIG.2

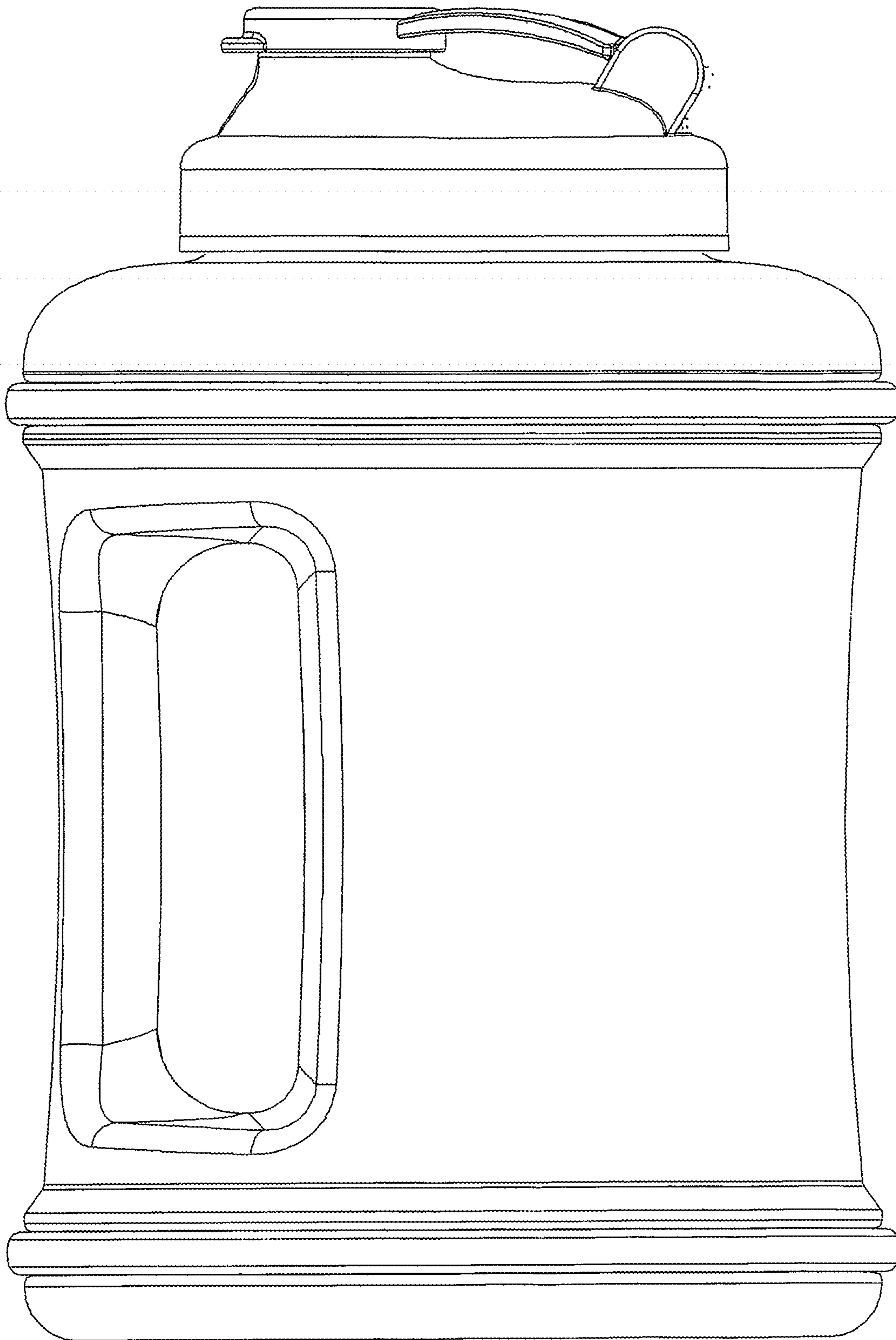


FIG. 3

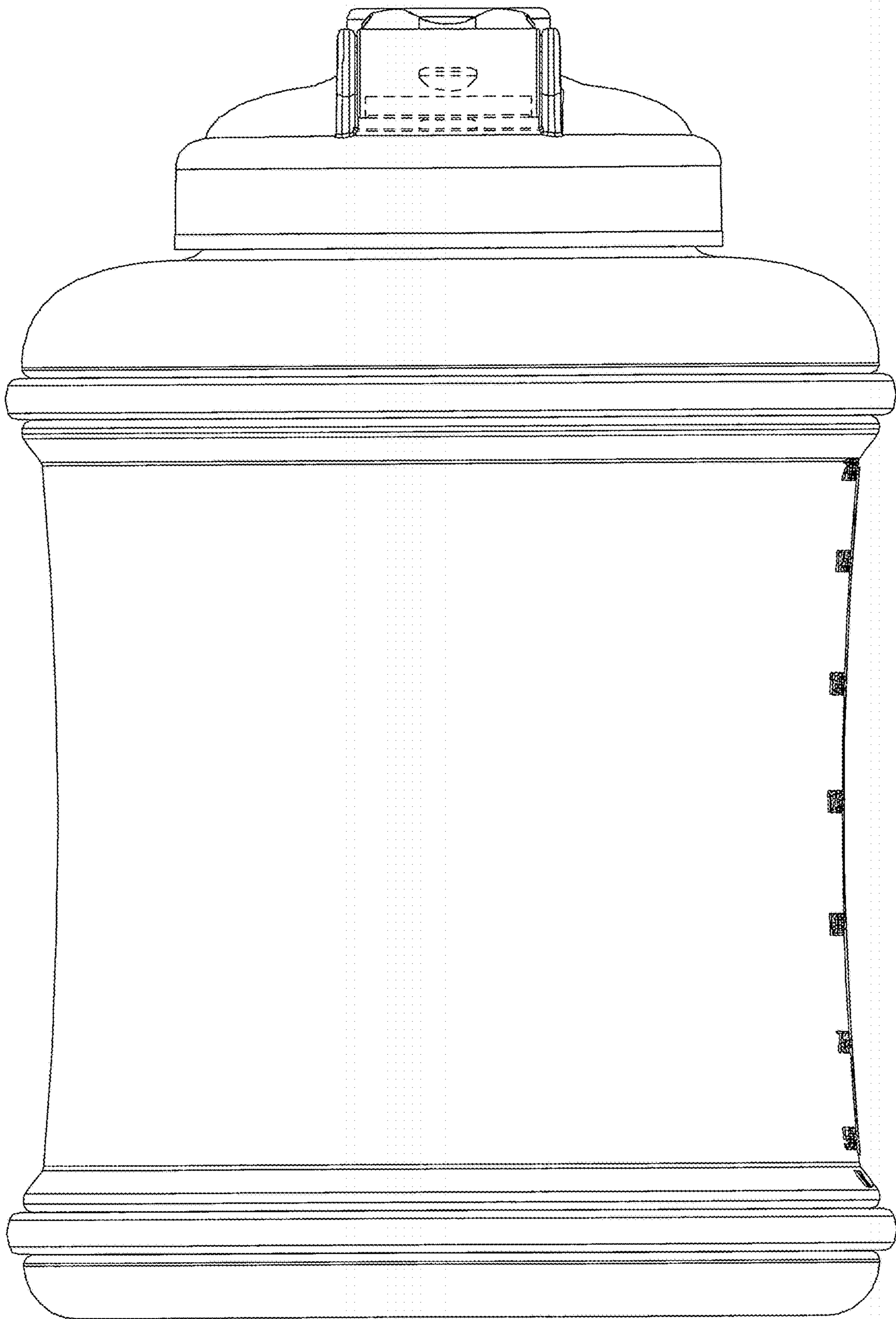


FIG.4

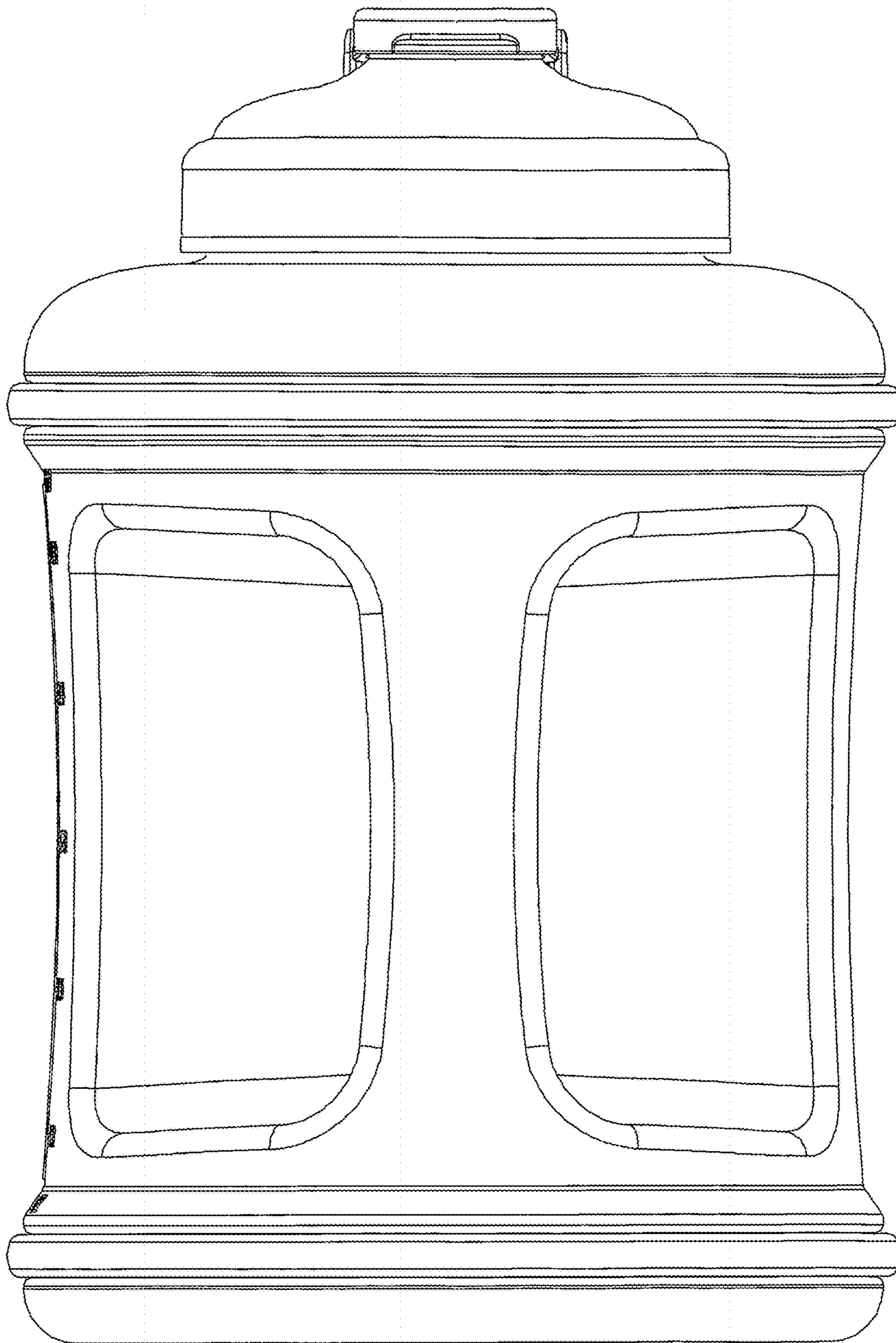


FIG.5

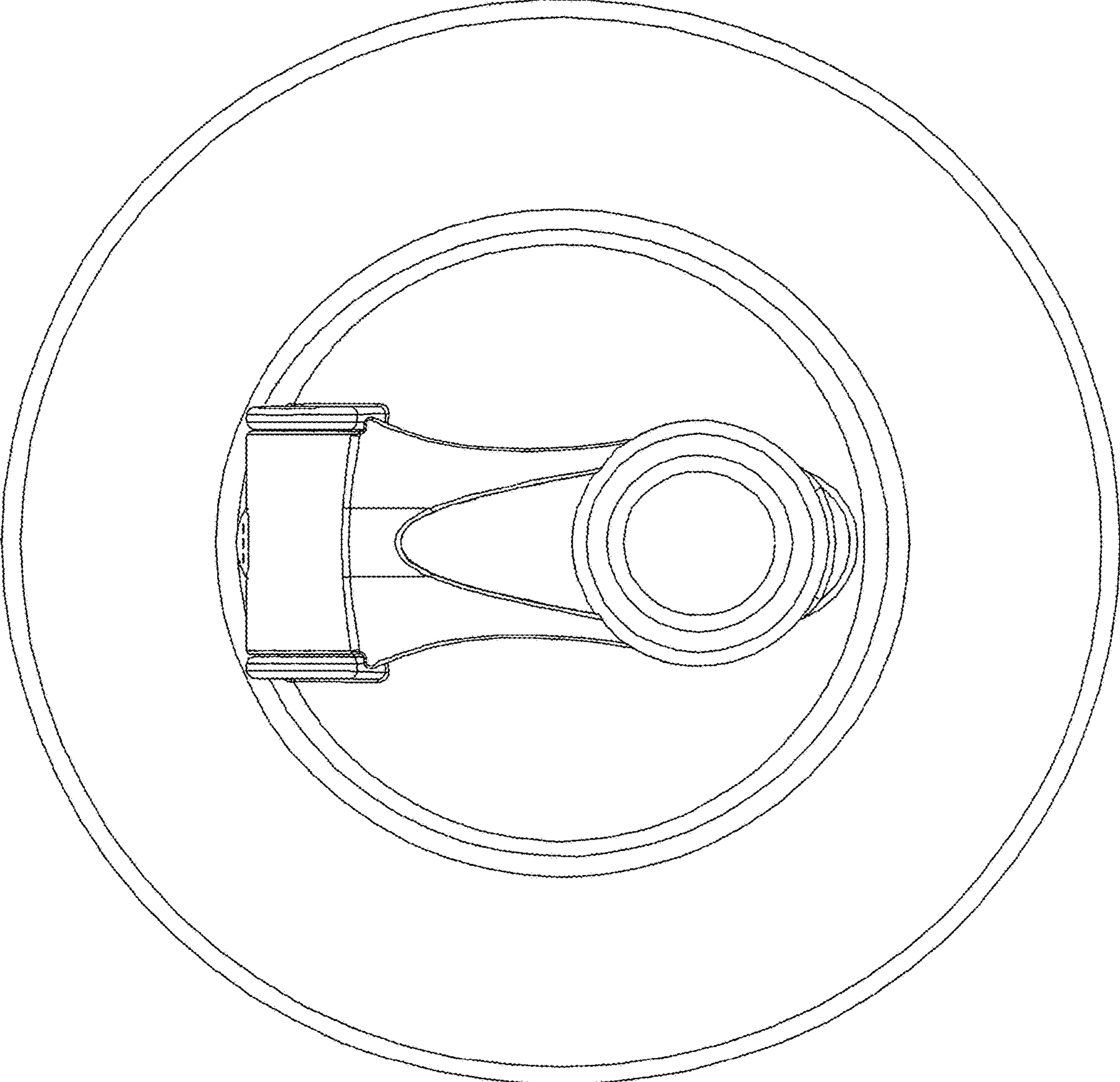


FIG.6

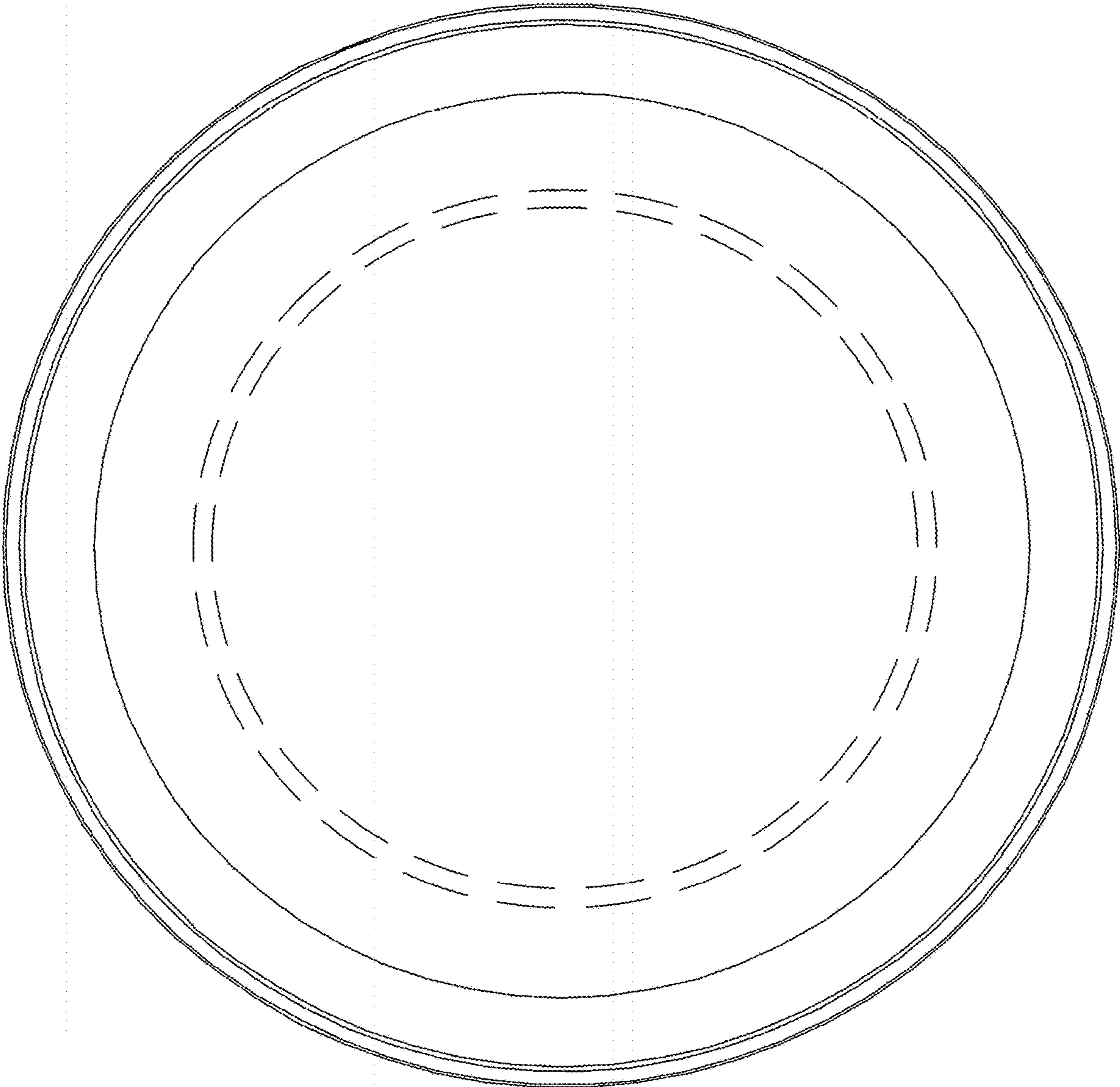


FIG.7