



US00D886525S

(12) **United States Design Patent**
Seiders et al.

(10) **Patent No.:** **US D886,525 S**
(45) **Date of Patent:** **** Jun. 9, 2020**

(54) **CONTAINER**

FOREIGN PATENT DOCUMENTS

(71) Applicant: **YETI Coolers, LLC**, Austin, TX (US)

AU 2011211425 A1 9/2011
CN 101037153 A 9/2007

(72) Inventors: **Roy Joseph Seiders**, Austin, TX (US);
Steve Nichols, Austin, TX (US)

(Continued)

(73) Assignee: **YETI Coolers, LLC**, Austin, TX (US)

OTHER PUBLICATIONS

(**) Term: **15 Years**

United States District Court Western District of Texas Austin Division, "Complaint," *YETI Coolers, LLC v. 99 Cents Stores, LLC and 99 Cents Only Stores Texas, Inc.*, Case: 1:18-cv-00799, Document #1, filed Sep. 18, 2018, 102 pages.

(21) Appl. No.: **29/629,049**

(Continued)

(22) Filed: **Dec. 11, 2017**

Related U.S. Application Data

Primary Examiner — Jae Liang

(63) Continuation of application No. 29/558,202, filed on Mar. 15, 2016, now Pat. No. Des. 804,905, which is a continuation of application No. 29/544,605, filed on Nov. 4, 2015, now Pat. No. Des. 751,338, and a continuation of application No. 29/538,064, filed on Aug. 31, 2015, now abandoned.

(74) *Attorney, Agent, or Firm* — Banner & Witcoff, Ltd.

(51) **LOC (12) Cl.** **07-01**

(57) **CLAIM**

(52) **U.S. Cl.**

The ornamental design for a container, as shown and described.

USPC **D7/510**; D7/511; D7/523

DESCRIPTION

(58) **Field of Classification Search**

USPC D7/509, 510, 511, 523, 529, 531, 532, D7/533, 535, 536, 392.1, 396.2, 387, 543, D7/608, 507, 508; D8/33, 34; D9/517, D9/567, 554, 555, 558, 503, 504, 552, D9/540, 454
CPC .. B25B 13/52; B67B 7/00; B67B 7/14; B67B 7/16; A47G 19/22; A47G 19/2227; A45F 3/20

FIG. 1 is a top, front, right perspective view of a container showing our new design;
FIG. 2 is a front view thereof;
FIG. 3 is a rear view thereof;
FIG. 4 is a right side view thereof, wherein the left side view is a mirror image of FIG. 4;
FIG. 5 is a top view thereof;
FIG. 6 is a bottom view thereof; and,
FIG. 7 is a top, front, right perspective view of the container showing our new design in an alternate closed position.
The broken lines immediately adjacent to the shaded area represent unclaimed boundaries of the design. The broken lines showing the remainder of the container represent unclaimed subject matter and form no part of the claimed design.

See application file for complete search history.

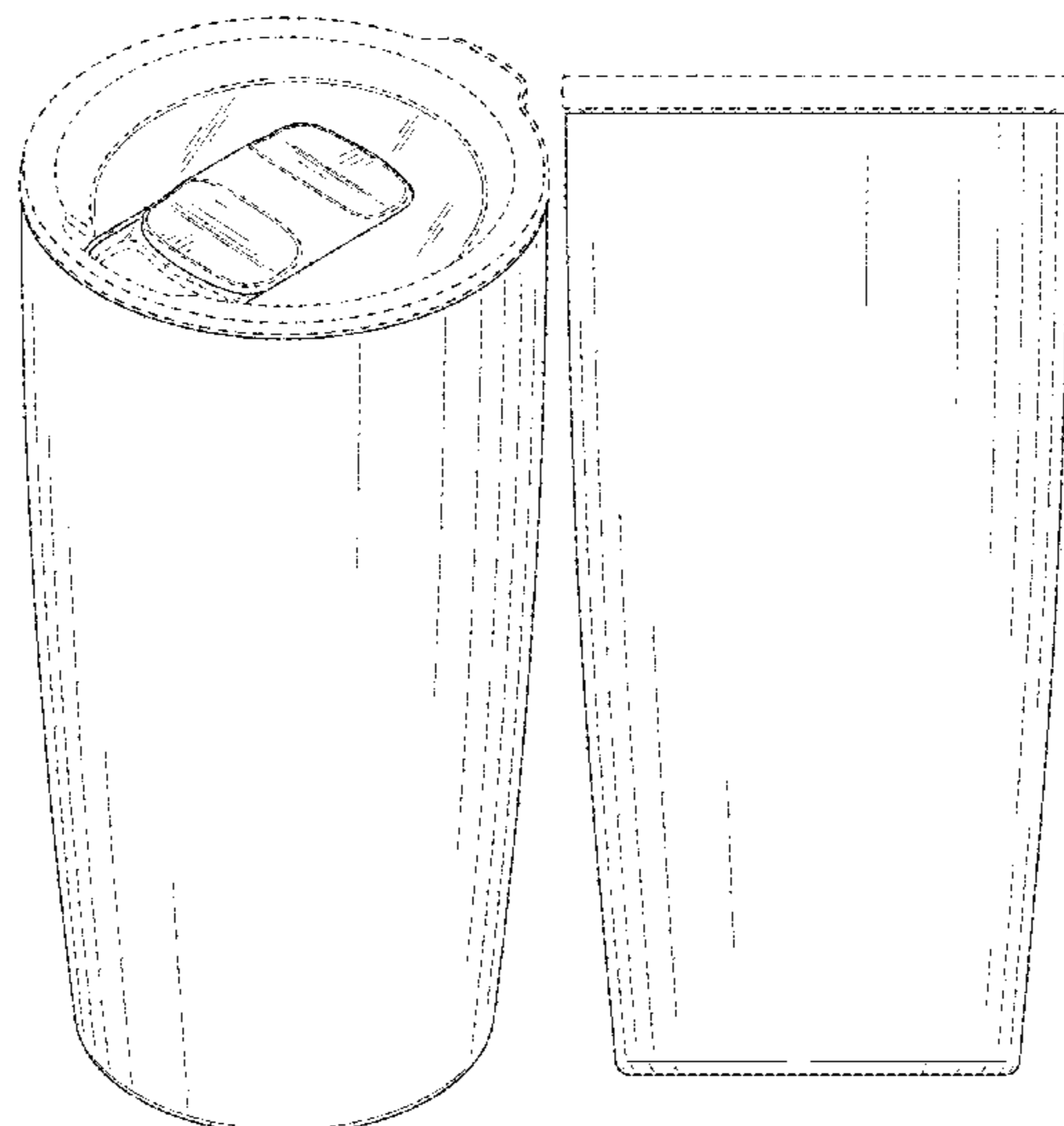
(56) **References Cited**

U.S. PATENT DOCUMENTS

D109,789 S 5/1938 Pershall
D112,150 S 11/1938 Pershall
D114,536 S 5/1939 Hacmac

(Continued)

1 Claim, 6 Drawing Sheets



(56)

References Cited

U.S. PATENT DOCUMENTS

D121,154 S	6/1940	Bernhardt	D534,396 S	1/2007	Kramer
2,304,214 A	12/1942	Straub	D536,213 S	2/2007	Schuler et al.
D157,491 S	2/1950	Heintze	D536,214 S	2/2007	Schuler et al.
D177,559 S	5/1956	Emmert	D537,677 S	3/2007	Bresler
2,762,621 A	9/1956	Zumwalt	D539,609 S	4/2007	Ying et al.
D209,308 S	11/1967	Schilling	D541,105 S	4/2007	Jin
D217,781 S	6/1970	Stone	D545,128 S	6/2007	Liu et al.
D229,006 S	11/1973	Sauey	D545,129 S	6/2007	Tien
3,938,690 A	2/1976	Butler	D548,012 S	8/2007	Tien
4,057,167 A	11/1977	Lee	D548,522 S	8/2007	Greenspon
4,570,817 A	2/1986	Hambleton et al.	D548,523 S	8/2007	Greenspon
D285,032 S	8/1986	Alonzo	D550,032 S	9/2007	Tien
D288,667 S	3/1987	Miner	D550,503 S	9/2007	Liu
D289,484 S	4/1987	Forquer et al.	D553,440 S	10/2007	Bodum
D307,743 S	5/1990	Pierce et al.	7,275,653 B2	10/2007	Tedford, Jr.
D314,708 S	2/1991	DeCoster	D554,431 S	11/2007	Tien
5,208,951 A	5/1993	Aoki	D558,523 S	1/2008	Bhavnani
D379,738 S	6/1997	Liming et al.	D560,512 S	1/2008	Safar
D384,646 S	10/1997	Miller et al.	D565,901 S	4/2008	Edelstein et al.
D412,806 S	8/1999	Pierce	D568,107 S	5/2008	Bhavnani
D416,755 S	11/1999	Trombly	D569,182 S	5/2008	Homma
D416,757 S	11/1999	Ginuntoli	D569,183 S	5/2008	Blake
5,984,156 A	11/1999	Bridges	D571,152 S	6/2008	Tien
D417,589 S	12/1999	Parker	D571,154 S	6/2008	Pearson
D417,819 S	12/1999	Kelly-Pollet	D572,083 S	7/2008	Tien
D425,374 S	5/2000	Besser et al.	D572,473 S	7/2008	Tuttle
D432,865 S	10/2000	Cohen	D572,474 S	7/2008	Tuttle
D433,876 S	11/2000	Freed	D572,475 S	7/2008	Tuttle
D436,295 S	1/2001	Furman et al.	D573,839 S	7/2008	Sun
D446,687 S	8/2001	Furman et al.	D577,260 S	9/2008	Bodum
D448,620 S	10/2001	Neal	7,455,191 B2	11/2008	Bhavnani
D449,963 S	11/2001	Neal	D582,206 S	12/2008	Fuller
D455,610 S	4/2002	Bridges	D583,191 S	12/2008	Wong
D456,212 S	4/2002	Bridges	D584,102 S	1/2009	Valderrama et al.
D457,389 S	5/2002	Snell	D584,106 S	1/2009	Wong
D457,395 S	5/2002	Gluck	D586,182 S	2/2009	Trombly
D458,081 S	6/2002	Bodum	D589,747 S	4/2009	Wong
D458,082 S	6/2002	Gluck	D589,751 S	4/2009	Liu et al.
RE37,773 E	7/2002	Trombly	D591,103 S	4/2009	Wong
D461,679 S	8/2002	Robinson et al.	7,513,380 B2	4/2009	Canedo
D462,575 S	9/2002	Gluck	D591,556 S	5/2009	Fuller
D463,715 S	10/2002	Dretzka	D593,802 S	6/2009	Baek
D466,371 S	12/2002	Parker	D600,073 S	9/2009	Carreno
D471,763 S	3/2003	Hurlbut et al.	7,591,389 B2	9/2009	Wong
D472,101 S	3/2003	Janky	D604,102 S	11/2009	Pearson
D475,891 S	6/2003	Bin	7,611,029 B2	11/2009	Wong
D476,193 S	6/2003	Janky	D609,526 S	2/2010	Tuttle
D477,185 S	7/2003	Janky	D613,554 S	4/2010	Koennecke
D477,532 S	7/2003	Wong	D615,358 S	5/2010	Wahl
6,626,326 B2	9/2003	Murakami	D618,050 S	6/2010	Eisenhardt
D481,590 S	11/2003	Lin	D618,964 S	7/2010	Eisenhardt
D481,591 S	11/2003	Lin	D621,659 S	8/2010	Liu
D482,238 S	11/2003	Lin	D622,548 S	8/2010	Jensen et al.
D483,165 S	12/2003	Dretzka	D625,951 S	10/2010	Baek
D483,995 S	12/2003	Otake	D629,653 S	12/2010	Gullickson et al.
D486,996 S	2/2004	Karp	7,845,510 B2	12/2010	Schmidtner et al.
D488,672 S	4/2004	Oas	7,850,037 B2	12/2010	Schmidtner et al.
D490,274 S	5/2004	Irvine	D631,284 S	1/2011	Fuller
6,752,287 B1	6/2004	Lin	7,874,447 B2	1/2011	Schmidtner et al.
D493,068 S	7/2004	Slater et al.	D631,699 S	2/2011	Moreau
D498,979 S	11/2004	Bhavnani	7,950,541 B2	5/2011	Holcomb et al.
6,824,003 B1	11/2004	Wong	D647,760 S	11/2011	Pearson
D511,653 S	11/2005	Oas	D648,599 S	11/2011	Watanabe et al.
D515,358 S	2/2006	Orr et al.	D651,045 S	12/2011	Eyal
D522,855 S	6/2006	Liebe et al.	D652,248 S	1/2012	Valderrama et al.
D523,692 S	6/2006	Meehan	D659,474 S	5/2012	Wahl et al.
D523,693 S	6/2006	Bodum	D660,082 S	5/2012	Wahl
D530,153 S	10/2006	Karp	D664,001 S	7/2012	Liu
D531,033 S	10/2006	Schmidtner et al.	8,215,519 B2	7/2012	Steininger
D531,451 S	11/2006	Bin	D666,052 S	8/2012	Trombly
D533,402 S	12/2006	Bin	D667,268 S	9/2012	Pallotto
D533,747 S	12/2006	Jin	D667,272 S	9/2012	Fishman et al.
D533,748 S	12/2006	Bresler	D669,306 S	10/2012	Barreto et al.
D533,779 S	12/2006	Schmidtner et al.	D669,310 S	10/2012	Barreto et al.
D534,069 S	12/2006	Ohno et al.	D669,735 S	10/2012	Wong
			D675,063 S	1/2013	Wahl
			D677,122 S	3/2013	Liu
			8,397,934 B2	3/2013	Lai
			8,397,940 B2	3/2013	Steininger

(56)

References Cited

U.S. PATENT DOCUMENTS

8,403,166 B2 3/2013 Steininger
 D693,176 S 11/2013 Kaiser
 D696,586 S 12/2013 Huang
 D698,200 S 1/2014 Lauwagie
 8,636,167 B2 1/2014 Hajichristou et al.
 8,640,904 B2 2/2014 Steininger et al.
 D704,986 S 5/2014 Manies
 D709,328 S 7/2014 Ross
 D711,280 S 8/2014 Tannenbaum
 D712,701 S 9/2014 Boroski
 D713,202 S 9/2014 Lin
 D713,686 S 9/2014 Eyal
 D715,100 S 10/2014 Eyal
 D717,103 S 11/2014 Wilbur
 D717,605 S 11/2014 Kristinik
 D717,606 S 11/2014 Kristinik
 D718,087 S 11/2014 Marasligiller et al.
 D720,183 S 12/2014 Chiang
 8,919,593 B2 12/2014 Sinacori et al.
 8,925,756 B2 1/2015 Tarapata et al.
 D725,970 S 4/2015 Karussi et al.
 D728,313 S 5/2015 Bo
 D729,581 S 5/2015 Boroski
 9,022,239 B2 5/2015 Mackenzie et al.
 D731,251 S 6/2015 Lane
 D732,338 S 6/2015 Boroski
 D732,343 S 6/2015 Romley
 D732,895 S 6/2015 McClellan
 D734,092 S 7/2015 Kristinik
 D736,564 S 8/2015 Thornton et al.
 D742,173 S 11/2015 Perman
 D742,177 S * 11/2015 Morris, II D7/523
 D743,209 S 11/2015 Maas et al.
 D744,280 S 12/2015 Chiang
 D744,286 S 12/2015 Morris, II et al.
 D751,338 S 3/2016 Seiders et al.
 D751,339 S 3/2016 Seiders et al.
 D751,340 S 3/2016 Seiders et al.
 D751,341 S 3/2016 Seiders et al.
 D758,792 S 6/2016 Karussi
 D761,619 S 7/2016 Seiders et al.
 D790,272 S 6/2017 Han
 D790,913 S 7/2017 Stover et al.
 D796,256 S 9/2017 Stover et al.
 D796,902 S 9/2017 Gordon
 D797,510 S 9/2017 Ke
 D798,716 S 10/2017 Fitchell
 9,782,029 B1 10/2017 FitzSimons
 D801,746 S 11/2017 Thuma et al.
 9,815,076 B2 11/2017 Schulz et al.
 D804,905 S * 12/2017 Seiders D7/510
 9,845,181 B2 12/2017 Abraham
 9,889,968 B2 2/2018 Morewitz et al.
 D814,240 S 4/2018 Kabalin
 D817,094 S * 5/2018 Silsby D7/510
 D820,044 S * 6/2018 Jenkins D7/510
 D820,045 S 6/2018 Harrington, III et al.
 D824,212 S * 7/2018 Seiders D7/396.2
 D830,770 S * 10/2018 Verhoeven D7/507
 10,124,942 B2 * 11/2018 Seiders B65D 51/18
 D839,049 S * 1/2019 Seiders D7/510
 D871,149 S 12/2019 Kaiser
 2005/0045643 A1 3/2005 Ghanem
 2005/0121015 A1 6/2005 Postorivo
 2006/0201945 A1 9/2006 Tedford
 2007/0012697 A1 1/2007 Holcomb et al.
 2007/0170184 A1 7/2007 Canedo
 2007/0215625 A1 9/2007 Schmidtner et al.
 2007/0272650 A1 11/2007 Kishi
 2008/0006643 A1 1/2008 Ma
 2008/0073343 A1 3/2008 Shadrach et al.
 2008/0073347 A1 3/2008 Shadrach
 2008/0087264 A1 4/2008 Postorivo
 2010/0200590 A1 8/2010 Shadrach, III et al.
 2010/0206874 A1 8/2010 Masurier et al.

2010/0251119 A1 9/2010 Geppert et al.
 2011/0007960 A1 1/2011 Nireki
 2011/0079601 A1 4/2011 Steininger
 2011/0132907 A1 6/2011 Hajichristou et al.
 2012/0012585 A1 1/2012 Sinacori et al.
 2012/0080429 A1 4/2012 Steininger
 2012/0080456 A1 4/2012 Steininger
 2012/0205371 A1 8/2012 Lee
 2012/0305558 A1 12/2012 Steininger
 2012/0305559 A1 12/2012 Steininger
 2012/0305563 A1 12/2012 Steininger
 2012/0312816 A1 12/2012 Barreto et al.
 2013/0140316 A1 6/2013 Flowers et al.
 2013/0213978 A1 8/2013 Libourel et al.
 2013/0320013 A1 12/2013 Bratsch
 2014/0034080 A1 2/2014 Paquet et al.
 2014/0117016 A1 5/2014 Hodge
 2015/0102032 A1 4/2015 Dunn et al.
 2015/0102046 A1 4/2015 Steininger
 2015/0250341 A1 9/2015 Liu et al.
 2015/0351568 A1 12/2015 Blain et al.
 2016/0272384 A1 9/2016 Lee et al.
 2017/0066573 A1 3/2017 Karussi et al.
 2017/0121072 A1 5/2017 Seiders et al.
 2017/0121073 A1 5/2017 Seiders et al.
 2017/0121074 A1 5/2017 Seiders et al.
 2017/0225855 A1 8/2017 Lawson et al.
 2018/0127165 A1 5/2018 Smaldone et al.

FOREIGN PATENT DOCUMENTS

CN 301355584 9/2010
 CN 102802462 A 11/2012
 CN 103654438 A 3/2014
 CN 302770712 3/2014
 CN 302823399 5/2014
 CN 302846547 6/2014
 CN 303176496 4/2015
 CN 303652430 11/2015
 CN 303589339 2/2016
 CN 303883775 10/2016
 CN 207383540 U 5/2018
 EM 002775078-0001 11/2015
 EP 2432349 A1 3/2012
 EP 2432349 B1 4/2013
 JP D1507225 9/2014
 KR 300953895.0000 4/2018
 WO 2007087185 A2 8/2007
 WO 2008021523 A2 2/2008
 WO 2008121942 A2 10/2008
 WO 2012031994 A1 3/2012
 WO 2012107861 A2 8/2012

OTHER PUBLICATIONS

Photographic image of YETI 30oz Rambler Tumbler, published date unknown, but prior to the filing date of the present application.
 Second photographic image of YETI 30oz Rambler Tumbler, published date unknown, but prior to the filing date of the present application.
 Promotional Items, Inc., “Stainless Steel 14oz. Deluxe Coffee Insulated Tumbler Lid”, retrieved from <http://www.promotional-items-inc.com/catalog/stainless_steel_18oz_commuter_coffee_mug_lid.html> on Aug. 27, 2015.
 The Product Farm, “BeerNStein Rocks Tumbler Lid—Blue”, retrieved from <<http://store.theproductfarm.com/beerstein-rocks-tumbler-lid-blue/>> on Aug. 27, 2015.
 Hit Promotional Products, “24 Oz. Biggie Tumbler with Lid”, retrieved from <<http://www.hitpromo.net/product/show/5853/24-oz-biggie-tumbler-with-lid>> on Aug. 27, 2015.
 The Alexon Group, “16 Oz. Stainless Steel Travel Mug with Slide Action Lid and Plastic Inner Liner”, retrieved from <<https://alexongroup.com/16-oz-stainless-steel-travel-mug-with-slide-action-lid-and-plastic-inner-liner>> on Aug. 27, 2015.
 “New 16oz Insulated Coffee Travel Mug Stainless Steel Double Wall Thermos Tumbler”, retrieved from <<http://www.ebay.com/itm/>>

(56)

References Cited

OTHER PUBLICATIONS

New-16oz-Insulated-COFFEE-TRAVEL-MUG-Stainless-Steel-Double-Wall-Thermos-Tumbler-/171416296921> on Aug. 27, 2015.
 “Stainless Steel Travel Mug with Slide Action Lid and Plastic Inner Liner—16oz.”, retrieved from <<http://waterbottles.com/stainless-steel-travel-mug-with-slide-action-lid-and-plastic-inner-liner-16-oz>> on Aug. 27, 2015.

Vat19, “16 oz. Dual Auto/USB Heated Mug”, retrieved from <<https://www.vat19.com/item/16-oz-dual-auto-usb-heater-coffee-mug>> on Aug. 27, 2015.

Timolino, “Signature Thermal Travel Mug Slide—Tab Lid”, retrieved from <<http://timolino.com/products/signature-thermal-travel-mug-slide-tab-lid>> on Aug. 27, 2015.

Eshine Industrial & Maoyuan International, “400ml Double Wall Stainless Steel Travel Mug with Sliding Drink Lid”, retrieved from <<http://www.chinawaterbottle.com/product/400ml-double-wall-stainless-steel-travel-mug-with-sliding-drink-lid-77-520.html>> on Aug. 27, 2015.

Photo USA Electronic Graphic Inc., “17fl oz Personalised Travel Mug (Plastic Insert and Metal Shell, Reverse Screw)”, retrieved from <<http://www.meikeda.com/stainless-steel-mug/item/15-oz-personalised-travel-mug.html>> on Aug. 27, 2015.

Promo Industrial Co., Limited, “16 Oz. Blue Bullet Travel Mug W/ Handle”, retrieved from <http://www.oempromo.com/Bottle-cup-and-mug/Mugs/index_73.htm> on Aug. 27, 2015.

Gold Bond Inc., “16CT—16 oz Cafe Tumbler”, retrieved from <<http://www.goldbondinc.com/16ct>> on Aug. 27, 2015.

“Tervis Lids”, retrieved from <http://www.tervis.com/designs/Accessories/Travel-lids/dc0fe00377e0ec722da5bd146541427c#!upc=093597437694&upc=093597240386> on Sep. 10, 2015.

Aladdin, “Recycled & Recyclable Travel Mug—Grey Replacement Lid”, retrieved from <http://www.shopaladdin-pmi.com/product/recycled-recyclable-travel-mug-grey-replacement-lid> on Sep. 10, 2015.

Zak! Designs, “Grip 16 oz Travel Coffee Mug—Sapphire”, retrieved from http://www.zak.com/planet_zak_blue_stainless_steel_water_bottle_0187-5720 on Sep. 10, 2015.

Promotional Items, Inc., “Stainless Steel 14 oz. Tool Box Travel Mug Lid”, retrieved from http://www.promotional-items-inc.com/catalog/stainless_steel_14oz_tool_box_travel_mug_lid.html on Sep. 10, 2015.

“Starbucks® Stainless Steel Logo Tumbler, 16 fl oz”, retrieved from <<http://store.starbucks.com/starbucks-stainless-steel-logo-tumbler-16-fl-oz-011023529.html>> on Nov. 3, 2015.

“Corkcicle Tumbler”, retrieved from <<http://corkcicle.com/pages/tumbler>> on Nov. 3, 2015.

“Tervis Travel Lids”, Tervis.com, captured Nov. 20, 2015, pp. 1.

“Stainless Steel Tumbler”, Starbucks.com, captured Nov. 20, 2015, pp. 1.

“Tumbler”, Corkcicle.com, captured Nov. 20, 2015, pp. 1-2.

“YETI Rambler 20 and 30 oz”, published on Apr. 19, 2014, retrieved from <https://web.archive.org/web/20140419041951/http://yeticoolers.com/rambler-tumblers/> on Sep. 2, 2015.

Photographic image of YETI 20oz Rambler Tumbler, published date unknown, but prior to the filing date of the present application.

Apr. 4, 2017—(PCT) International Search Report and Written Opinion—App PCT/US2016/059514.

United States District Court Western District of Texas Austin Division, “Complaint,” *YETI Coolers, LLC v. Godinger Silver Art, Ltd., Cathy’s Concepts, Inc., Viatek Consumer Products Group, Inc.*, Case: 1:17-cv-00467, Document #1, filed May 16, 2017, 22 pages.

United States District Court Western District of Texas Austin Division, “Complaint,” *YETI Coolers, LLC v. Bayou Ice. Boxes, Inc.*, Case: 1:17-cv-00261, Document #1, filed Mar. 24, 2017, 41 pages.

United States District Court Western District of Texas Austin Division, “Complaint,” *YETI Coolers, LLC v. Vickery Products, LLC d/b/a Axis Cups, f/d/b/a Frio Cups*, Case: 1:17-cv-00260, Document #1, filed Mar. 24, 2017, 52 pages.

United States District Court Western District of Texas Austin Division, “Complaint,” *YETI Coolers, LLC v. Gourmet Home Products, LLC*, Case: 1:17-cv-00533, Document #1, filed Jun. 2, 2017, 25 pages.

United States District Court Western District of Texas Austin Division, “Complaint,” *YETI Coolers, LLC v. Waldey Holdings, LLC d/b/a Meadowcraft, and Southern Sales & Marketing Group, Inc. d/b/a nICE*, Case 1:17-cv-00421, Document 1, filed May 5, 2017, 121 pages.

United States District Court Western District of Texas Austin Division, “Complaint,” *YETI Coolers, LLC v. JDS Industries, Inc., Lionel Laundry Jr., d/b/a Accolades Awards & Engraving, Creating and Fast LLC d/b/a Promotional Products San Antonio, Kelly Scoggins d/b/a King Engraving, Jamey Z. Apps d/b/a Roberts Trophies, and Eagle Media, Inc.*, Case 1:17-cv-00424, Document 1, filed May 5, 2017, 62 pages.

United States District Court Western District of Texas Austin Division, “Complaint,” *YETI Coolers, LLC v. Glacier Coolers, LLC, and Tecomate Holdings, LLC*, Case 1:17-cv-00586, Document 1, filed Jun. 15, 2017, 161 pages.

United States District Court Western District of Texas Austin Division, “Complaint,” *YETI Coolers, LLC v. Gametime Sidekicks, LLC and Flexible Automation LLC*, Case 1:17-cv-00413, Document 1, filed May 5, 2017, 107 pages.

United States District Court Western District of Texas Austin Division, “Complaint,” *YETI Coolers, LLC v. Kodiak Coolers, LLC and Flexible Automation LLC*, Case 1:17-cv-00422, Document 1, filed May 5, 2017, 51 pages.

English translation of Office Action dated Oct. 18, 2016 for JP Application No. 2016-004374, 4 pages.

“Osulloc Green Cup”, retrieved from http://www.edaymall.com/display/goods.do?media_code=E06&goods_code=10183708 on Sep. 16, 2016.

United States District Court Western District of Texas Austin Division, “Complaint,” *YETI Coolers, LLC v. Benner China and Glassware Florida, Inc.*, Case: 1:16-cv-00142-RP, Document #1, filed Feb. 16, 2016, 21 pages.

United States District Court Western District of Texas Austin Division, “Complaint,” *YETI Coolers, LLC v. Blackbird Products Group, LLC, d/b/a Mammoth Coolers*, Case: 1:15-cv-01105, Document #1, filed Dec. 7, 2015, 266 pages.

United States District Court Western District of Texas Austin Division, “Defendant Blackbird Products Group, LLC’s Answer and Affirmative Defenses to Plaintiff YETI Coolers, LLC’s Complaint,” *YETI Coolers, LLC v. Blackbird Products Group, LLC, d/b/a Mammoth Coolers*, Case: 1:15-cv-01105-SS, Document #13, filed Dec. 28, 2015, 11 pages.

United States District Court Western District of Texas Austin Division, “Order,” *YETI Coolers, LLC v. Blackbird Products Group, LLC, d/b/a Mammoth Coolers*, Case: 1:15-cv-01105-RP, Document #26, filed Apr. 20, 2016, 1 page.

United States District Court Western District of Texas Austin Division, “Complaint,” *YETI Coolers, LLC v. The Boelter Companies, Inc., Boelter Brands, LLC and Boelter Beverage, LLC*, Case: 1:16-cv-00456, Document #1, filed Apr. 8, 2016, 20 pages.

United States District Court Western District of Texas Austin Division, “Defendants’ Answer to Complaint,” *YETI Coolers, LLC v. The Boelter Companies, Inc., Boelter Brands, LLC and Boelter Beverage, LLC*, Case: 1:16-cv-00456-RP, Document #21, filed Jun. 7, 2016, 9 pages.

United States District Court Western District of Texas Austin Division, “Consent Judgment,” *YETI Coolers, LLC v. The Boelter Companies, Inc., Boelter Brands, LLC and Boelter Beverage, LLC*, Case: 1:16-cv-00456-RP, Document #25, filed Sep. 13, 2016, 3 pages.

United States District Court Western District of Texas Austin Division, “Complaint,” *YETI Coolers, LLC v. Jennifer Levene Bootz Evans d/b/a Bling and Burlap Buy In’s and Blanks*, Case: 1:15-cv-00995, Document #1, filed Nov. 2, 2015, 128 pages.

United States District Court Western District of Texas Austin Division, “Order,” *YETI Coolers, LLC v. Jennifer Levene Bootz Evans d/b/a Bling and Burlap Buy In’s and Blanks*, Case: 1:15-cv-00995-RP, Document #18, filed Apr. 18, 2016, 1 page.

(56)

References Cited

OTHER PUBLICATIONS

United States District Court Western District of Texas Austin Division, “Defendant Kaiser Group Inc.’s Answer, Affirmative Defenses, and Counterclaims to Plaintiff YETI Coolers, LLC’s Complaint,” *YETI Coolers, LLC v. Kaiser Group Inc., d/b/a Thermo Steel, d/b/a Vino2Go, d/b/a Brew2GO*, Case: 1:15-cv-00725-RP, Document #14, filed Oct. 13, 2015, 65 pages.

United States District Court Western District of Texas Austin Division, “Complaint,” *YETI Coolers, LLC v. Great American Products, Ltd.*, Case: 1:15-cv-00686, Document #1, filed Aug. 6, 2015, 20 pages.

United States District Court Western District of Texas Austin Division, “Order,” *YETI Coolers, LLC v. Great American Products, Ltd.*, Case: 1:15-cv-00686-RP, Document #25, filed Mar. 14, 2016, 1 page.

United States District Court Western District of Texas Austin Division, “Complaint,” *YETI Coolers, LLC v. Home Depot U.S.A., Inc., Takeya USA Corporation*, Case: 1:17-cv-00342, Document #1, filed Apr. 12, 2017, 24 pages.

United States District Court Western District of Texas Austin Division, “Complaint,” *YETI Coolers, LLC v. ContextLogic, Inc. d/b/a Wish.com*, Case: 1:17-cv-00937, Document #1, filed Sep. 28, 2017, 238 pages.

United States District Court Western District of Texas Austin Division, “Complaint,” *YETI Coolers, LLC v. Dunhuang Group, SZ Flowerfairy Technology Co., Ltd., Tan Er Pa Technology Co., Ltd., Shenzhen Great Electronic Technology Co., Ltd., and Huagong Trading Co.*, Case: 1:17-cv-00938, Document #1, filed Sep. 28, 2017, 272 pages.

United States District Court Western District of Texas Austin Division, “Defendant Takeya USA Corporation’s Memorandum in Support of Rule 12(b)(6) Motion to Dismiss,” *YETI Coolers, LLC v. Home Depot U.S.A., Inc., Takeya USA Corporation*, Case: 1:17-cv-00342, Document #12, filed May 25, 2017, 34 pages.

United States District Court Western District of Texas Austin Division, “Defendant Kelly Scoggins d/b/a King Engraving’s Memorandum in Support of Rule 12(b)(6) Motion to Dismiss and Motion to Take Judicial Notice,” *YETI Coolers, LLC v. JDS Industries, Inc., Lionel Landry Jr., d/b/a Accolades d/b/a Accolades Awards & Engraving, Creative and Fast LLC d/b/a Promotional Products San Antonio, Kelly Scoggins d/b/a King Engraving*, Case: 1:17-cv-00424-RP, Document #65, filed Aug. 11, 2017, 28 pages.

Dick’s Sporting Goods. YETI 10/20 oz. Rambler Mag Slider Lid. Jun. 2017 [earliest online date], [site visited Oct. 26, 2017]. Available from Internet, <URL: <https://www.dickssportinggoods.com/p/yeti-10-20-ozrambler-mag-slider-lid-17yeta1020mgslidrlodr/17yeta1020mgslidrlodr>>. (Year: 2017).

Green Steel 20oz Beast Tumbler [online], [retrieved Jul. 26, 2018], Retrieved from the Internet, URL: <https://www.amazon.com/dp/B074L7M8DT/ref=twster_B01DQNHFCFS?_encoding=UTF8&th=1>; 9 sheets, published Apr. 2, 2016.

Green Steel 30oz Beast Tumbler [online], [retrieved Jul. 26, 2018], Retrieved from the Internet, URL: <https://www.amazon.com/gp/product/b01n2iyxtg> <<https://www.amazon.com/gp/product/b01n2iyxtg>>; 9 sheets, published date unknown, but for purposes of patent prosecution presumably more than a year prior to the filing date of the present application.

United States District Court Western District of Texas Austin Division, “Complaint,” *YETI Coolers, LLC v. Wal-Mart Stores, Inc.*, Case: 1:17-cv-01145, Document #1, filed Dec. 8, 2017, 98 pages.

United States District Court Western District of Texas Austin Division, “Complaint,” *YETI Coolers, LLC v. Ad-N-Art Inc. (CA) d/b/a Asobu, and Ad-N-Art Inc. (US) d/b/a Asobu*, Case: 1:18-cv-00514, Document #1, filed Jun. 20, 2018, 26 pages.

United States District Court Western District of Texas Austin Division, “Complaint,” *YETI Coolers, LLC v. Hogg Outfitters, LLC*, Case: 1:18-cv-00512, Document #1, filed Jun. 20, 2018, 26 pages.

United States District Court Western District of Texas Austin Division, “Complaint,” *YETI Coolers, LLC v. Elighters Manage-*

ment, Inc. d/b/a Visol Products d/b/a Visol d/b/a eflasks.com, Case: 1:18-cv-00513, Document #1, filed Jun. 20, 2018, 25 pages.

Jan. 16, 2019—(CA)—Examiner’s Report—App 3,003,731.

United States District Court Western District of Texas Austin Division, “Complaint,” *YETI Coolers, LLC v. Ideastage Promotions, LLC, d/b/a Swag Brokers*, Case: 1:15-cv-00774, Document #1, filed Sep. 2, 2015, 22 pages.

United States District Court Western District of Texas Austin Division, “Order,” *YETI Coolers, LLC v. Ideastage Promotions, LLC, d/b/a Swag Brokers*, Case: 1:15-cv-00774-RP, Document #19, filed Dec. 21, 2015, 1 page.

United States District Court Western District of Texas Austin Division, “Complaint,” *YETI Coolers, LLC v. Imagen Brands, LLC, d/b/a Crown Products, and Ebsco Industries, Inc.*, Case: 1:16-cv-00578-RP, Document #1, filed May 16, 2016, 20 pages.

United States District Court Western District of Texas Austin Division, “Complaint,” *YETI Coolers, LLC v. Kaiser Group Inc., d/b/a Thermo Steel, d/b/a Vino2GO, d/b/a Brew2Go*, Case: 1:15-cv-00725, Document #1, filed Aug. 19, 2015, 21 pages.

United States District Court Western District of Texas Austin Division, “Complaint,” *YETI Coolers, LLC v. Kuer Outdoors, LLC*, Case: 1:16-cv-00631, Document #1, filed May 27, 2016, 89 pages.

United States District Court Western District of Texas Austin Division, “Complaint,” *YETI Coolers, LLC v. Magnum Solace LLC*, Case: 1:16-cv-00663-RP, Document #1, filed Jun. 7, 2016, 24 pages.

United States District Court Western District of Texas Austin Division, “Defendant’s Rule 12(B)(6) Motion to Dismiss For Failure to State a Claim,” *YETI Coolers, LLC v. Magnum Solace LLC*, Case: 1:16-cv-00663-RP, Document #10, filed Aug. 5, 2016, 30 pages.

United States District Court Western District of Texas Austin Division, “Defendant’s Answer,” *YETI Coolers, LLC v. Magnum Solace LLC*, Case: 1:16-cv-00663-RP, Document #34, filed Apr. 13, 2017, 7 pages.

United States District Court Western District of Texas Austin Division, “Defendant’s Answer to Plaintiffs Complaint and Affirmative Defenses,” *YETI Coolers, LLC v. MyCrew, LLC, MyCrew Drinkware, LLC and NNRiverLife, LLC*, Case: 1:16-cv-01008-RP, Document #14, filed Nov. 29, 2016, 12 pages.

United States District Court Western District of Texas Austin Division, “Complaint,” *YETI Coolers, LLC v. MyCrew, LLC, MyCrew Drinkware, LLC and NNRiverLife, LLC*, Case: 1:16-cv-01008, Document #1, filed Aug. 26, 2016, 29 pages.

United States District Court Western District of Texas Austin Division, “Plaintiff YETI Coolers, LLC’s Original Complaint,” *YETI Coolers, LLC v. Ontel Products Corporation and World Pack USA, LLC*, Case: 1:17-cv-00091-RP, Document #1, filed Feb. 8, 2017, 65 pages.

United States District Court Western District of Texas Austin Division, “RTIC Drinkware’s First Amended Complaint for Declaratory Judgment,” *RTIC Drinkware, LLC v. YETI Coolers, LLC*, Case: 1:16-cv-00907-RP, Document #52, filed Nov. 14, 2016, 124 pages.

United States District Court Western District of Texas Austin Division, “YETI Coolers, LLC’s Answer to RTIC Drinkware’s First Amended Complaint,” *RTIC Drinkware, LLC v. YETI Coolers, LLC*, Case: 1:16-cv-00907-RP, Document #58, filed Dec. 1, 2016, 15 pages.

United States District Court Western District of Texas Austin Division, “YETI Coolers, LLC’s Answer to RTIC Drinkware LLC’s Complaint,” *RTIC Drinkware, LLC v. YETI Coolers, LLC*, Case: 1:16-cv-00907-RP, Document #35, filed Aug. 3, 2016, 27 pages.

United States District Court for the Southern District of Texas Houston Division, “RTIC Drinkware’s Original Complaint or Declaratory Judgment, Damages, and Injunctive Relief,” *RTIC Drinkware, LLC v. YETI Coolers, LLC*, Case: 4:16-cv-01201, Document #1, filed May 2, 2016, 58 pages.

United States District Court Western District of Texas Austin Division, “Order,” *RTIC Drinkware, LLC v. YETI Coolers, LLC*, Case: 1:16-cv-00907-RP, Document #47, filed Oct. 13, 2016, 3 page.

United States District Court Western District of Texas Austin Division, “YETI Coolers, LLC’s First Amended Complaint,” *YETI Coolers, LLC v. RTIC Coolers, LLC, RTIC Drinkware, LLC, RTIC*

(56)

References Cited

OTHER PUBLICATIONS

Web Services, LLC, Corporate Support & Fulfillment, LLC, John Jacobsen, and James Jacobsen, Case: 1:16-cv-00264-RP, Document #15, filed May 16, 2016, 110 pages.

United States District Court Western District of Texas Austin Division, “Defendant RTIC Drinkware, LLC, RTIC Web Services, LLC, Corporate Support & Fulfillment, LLC, John Jacobsen, and James Jacobsen’s Answer and Counterclaims to YETI’s First Amended Complaint for Damages and Injunctive Relief,” *YETI Coolers, LLC v. RTIC Coolers, LLC, RTIC Drinkware, LLC, RTIC Web Services, LLC, Corporate Support & Fulfillment, LLC; John Jacobsen; and James Jacobsen*, Case: 1:16-cv-00264-RP, Document #25, filed Jun. 13, 2016, 42 pages.

United States District Court Western District of Texas Austin Division, “Complaint,” *YETI Coolers, LLC v. RTIC Coolers, LLC*, Case: 1:16-cv-00264, Document #1, filed Mar. 2, 2016, 34 pages.

United States District Court Western District of Texas Austin Division, “YETI Coolers, LLC’s Answer to RTIC Drinkware, LLC’s, RTIC Web Services, LLC’s, Corporate Support & Fulfillment, LLC’s, John Jacobsen’s, and James Jacobsen’s Counterclaims,” *YETI Coolers, LLC v. RTIC Coolers, LLC, RTIC Drinkware, LLC, RTIC Web Services, LLC, Corporate Support & Fulfillment, LLC, John Jacobsen, and James Jacobsen*, Case: 1:16-cv-00264-RP, Document #31, filed Jul. 7, 2016, 7 pages.

United States District Court Western District of Texas Austin Division, “First Amended Complaint,” *YETI Coolers, LLC v. Sam’s West, Inc., and Sam’s East, Inc.*, Case: 1:16-cv-00829-RP, Document #32, filed Jan. 9, 2017, 24 pages.

United States District Court Western District of Texas Austin Division, “Defendants Sam’s West, Inc. and Sam’s East, Inc.’s Answer to Complaint,” *YETI Coolers, LLC v. Sam’s West, Inc., and Sam’s East, Inc.*, Case: 1:16-cv-00829-RP, Document #16, filed Aug. 26, 2016, 11 pages.

United States District Court Western District of Texas Austin Division, “Complaint,” *YETI Coolers, LLC v. Sam’s West, Inc., and Sam’s East, Inc.*, Case: 1:16-cv-00829, Document #1, Jun. 30, 2016, 21 pages.

United States District Court Western District of Texas Austin Division, “First Amended Complaint,” *YETI Coolers, LLC v. Sic Products LLC, d/b/a Sic Cups, d/b/a Sic*, Case: 1:16-cv-00117-RP, Document #34, Nov. 21, 2016, 25 pages.

United States District Court Western District of Texas Austin Division, “Sic Products, LLC’s Answer, Affirmative Defenses, and Counterclaims to Plaintiff’s Amended Complaint,” *YETI Coolers, LLC v. Sic Products LLC, d/b/a Sic Cups, d/b/a Sic*, Case: 1:16-cv-00117-RP, Document #35, Dec. 5, 2016, 81 pages.

United States District Court Western District of Texas Austin Division, “Sic Products, LLC’s Answer, Affirmative Defenses, and Counterclaims to Plaintiff’s Complaint,” *YETI Coolers, LLC v. Sic Products LLC, d/b/a Sic Cups, d/b/a Sic*, Case: 1:16-cv-00117-RP, Document #14, Jun. 3, 2016, 38 pages.

United States District Court Western District of Texas Austin Division, “Complaint,” *YETI Coolers, LLC v. Sic Products LLC, d/b/a Sic Cups, d/b/a Sic*, Case: 1:16-cv-00117-RP, Document #1, Feb. 4, 2016, 23 pages.

United States District Court Western District of Texas Austin Division, “YETI Coolers, LLC’s Answer to Sic Products, LLC Counterclaims,” *YETI Coolers, LLC v. Sic Products LLC, d/b/a Sic Cups, d/b/a Sic*, Case: 1:16-cv-00117-RP, Document #21, Sep. 29, 2016, 15 pages.

United States District Court Western District of Texas Austin Division, “YETI Coolers, LLC’s Answer to Sic Products, LLC Counterclaims to YETI Coolers, LLC’s Amended Complaint,” *YETI Coolers, LLC v. Sic Products LLC, d/b/a Sic Cups, d/b/a Sic*, Case: 1:16-cv-00117-RP, Document #38, Dec. 19, 2016, 20 pages.

United States District Court Western District of Texas Austin Division, “Complaint,” *YETI Coolers, LLC v. The Allen Company, d/b/a Allen Color Craft*, Case: 1:15-cv-00888-RP, Document #1, Oct. 6, 2015, 24 pages.

United States District Court Western District of Texas Austin Division, “Complaint,” *YETI Coolers, LLC v. Titan Custom Products, Inc.*, Case: 1:15-cv-00775, Document #1, Sep. 2, 2015, 22 pages.

United States District Court Western District of Texas Austin Division, “Answer,” *YETI Coolers, LLC v. Tree Leaf Marketing, LLC d/b/a Big Frig*, Case: 1:16-cv-00699-RP, Document #11, Oct. 21, 2016, 8 pages.

United States District Court Western District of Texas Austin Division, “Complaint,” *YETI Coolers, LLC v. Tree Leaf Marketing, LLC d/b/a Big Frig*, Case: 1:16-cv-00699, Document #1, Jun. 17, 2016, 33 pages.

United States District Court Western District of Texas Austin Division, “Complaint,” *YETI Coolers, LLC v. US Imprints, LLC, d/b/a GOimprints*, Case: 1:15-cv-00773, Document #1, Sep. 2, 2015, 22 pages.

United States District Court Western District of Texas Austin Division, “Order,” *YETI Coolers, LLC v. US Imprints, LLC, d/b/a GOimprints*, Case: 1:15-cv-00773-RP, Document #23, Apr. 25, 2016, 1 page.

United States District Court Western District of Texas Austin Division, “Veterinary Internet Company, LLC d/b/a VetInternetCo’s Answer to Plaintiffs Complaint,” *YETI Coolers, LLC v. Polar Pad LLC, d/b/a Polar Drifter, d/b/a Polar Pad, and Veterinary Internet Company, LLC, d/b/a VetInternetCo*, Case: 1:16-cv-00677-RP, Document #11, Aug. 19, 2016, 12 pages.

United States District Court Western District of Texas Austin Division, “Complaint,” *YETI Coolers, LLC v. Polar Pad LLC, d/b/a Polar Pad Drifter, d/b/a Polar Pad, and Veterinary Internet Company, LLC, d/b/a VetInternetCo*, Case: 1:16-cv-00128, Document #1, Feb. 12, 2016, 24 pages.

United States District Court Western District of Texas Austin Division, “Complaint,” *YETI Coolers, LLC v. Polar Pad LLC, d/b/a Polar Pad Drifter, d/b/a Polar Pad, and Veterinary Internet Company, LLC, d/b/a VetInternetCo*, Case: 1:16-cv-00677, Document #1, Jun. 10, 2016, 25 pages.

United States District Court Western District of Texas Austin Division, “Order,” *YETI Coolers, LLC v. Polar Pad LLC, d/b/a Polar Pad Drifter, d/b/a Polar Pad, and Veterinary Internet Company, LLC, d/b/a VetInternetCo*, Case: 1:16-cv-00128-RP, Document #17, Jun. 17, 2016, 1 page.

United States District Court Western District of Texas Austin Division, “[Proposed] Order Granting Stipulated Motion to Dismiss Defendant Polar Pad, LLC, Without Prejudice, Pursuant to Fed. R. Civ. P. 21,” *YETI Coolers, LLC v. Polar Pad LLC, d/b/a Polar Pad Drifter, d/b/a Polar Pad, and Veterinary Internet Company, LLC, d/b/a VetInternetCo*, Case: 1:16-cv-00677-RP, Document #14, Sep. 15, 2016, 1 page.

United States District Court Western District of Texas Austin Division, “Complaint,” *YETI Coolers, LLC v. Vickery Products, LLC d/b/a Axis Cups, f/d/b/a Frio Cups*, Case: 1:17-cv-00260, Document #1, Mar. 24, 2017, 52 pages.

United States District Court Western District of Texas Austin Division, “First Amended Complaint,” *YETI Coolers, LLC v. Wal-Mart Stores, Inc. and Olympia Tools International, Inc.*, Case: 1:16-cv-00454-RP, Document #17, May 24, 2016, 26 pages.

United States District Court Western District of Texas Austin Division, “Complaint,” *YETI Coolers, LLC v. Wal-Mart Stores, Inc.*, Case: 1:16-cv-00454, Document #1, Apr. 8, 2016, 29 pages.

United States District Court Western District of Texas Austin Division, “Olympia Tools International, Inc.’s Answer to YETI Coolers, LLC’s First Amended Complaint,” *YETI Coolers, LLC v. Wal-Mart Stores, Inc. and Olympia Tools International, Inc.*, Case: 1:16-cv-00454-RP, Document #28, Jul. 14, 2016, 12 pages.

United States District Court Western District of Texas Austin Division, “Wal-Mart Stores, Inc.’s Answer to First Amended Complaint,” *YETI Coolers, LLC v. Wal-Mart Stores, Inc. and Olympia Tools International, Inc.*, Case: 1:16-cv-00454-RP, Document #22, Jun. 7, 2016, 13 pages.

United States District Court Western District of Texas Austin Division, “Complaint” *YETI Coolers, LLC v. Zhejiang Zhuosheng Industry & Trade Co, Ltd., d/b/a Wuyi Zhuosheng Household Metal Products Co., Ltd., d/b/a Yongkang Zhuosheng Metal Products*

(56)

References Cited

OTHER PUBLICATIONS

Products Co., Ltd., d/b/a Zhejiang Zhuosheng Industry & Trade Co, Ltd., Case 1:17-cv-00821, Document 1, filed Aug. 23, 2017, 27 pages.

Apr. 4, 2017—(PCT) Written Opinion and International Search Report App PCT/US2016/059514.

United States District Court Western District of Texas Austin Division, “Second Amended Complaint,” *YETI Coolers, LLC v. Sam’s West, Inc., and Sam’s East, Inc., and CY Top, Ltd.*, Case: 1:16-cv-00829-RP, Document #51, filed Sep. 22, 2017, 49 pages.

United States District Court Western District of Texas Austin Division, “Complaint,” *YETI Coolers, LLC v. Bonanza.com, Inc.*, Case: 1:17-cv-00935, Document #1, filed Sep. 28, 2017, 142 pages.

United States District Court Western District of Texas Austin Division, “Complaint,” *YETI Coolers, LLC v. Alibaba Group Holding Limited, Alibaba (China) Technology Co., Ltd., Alibaba.com Hong Kong Limited, Alibaba.com Singapore E-Commerce Private Limited, Hangzhou Alibaba Advertising Co. Ltd., and Huizhou Dashu Trading Co., Ltd.*, Case: 1:17-cv-00936, Document #1, filed Sep. 28, 2017, 272 pages.

Jul. 15, 2019—(CN)—First Office Action—App 201680075940.4.

* cited by examiner

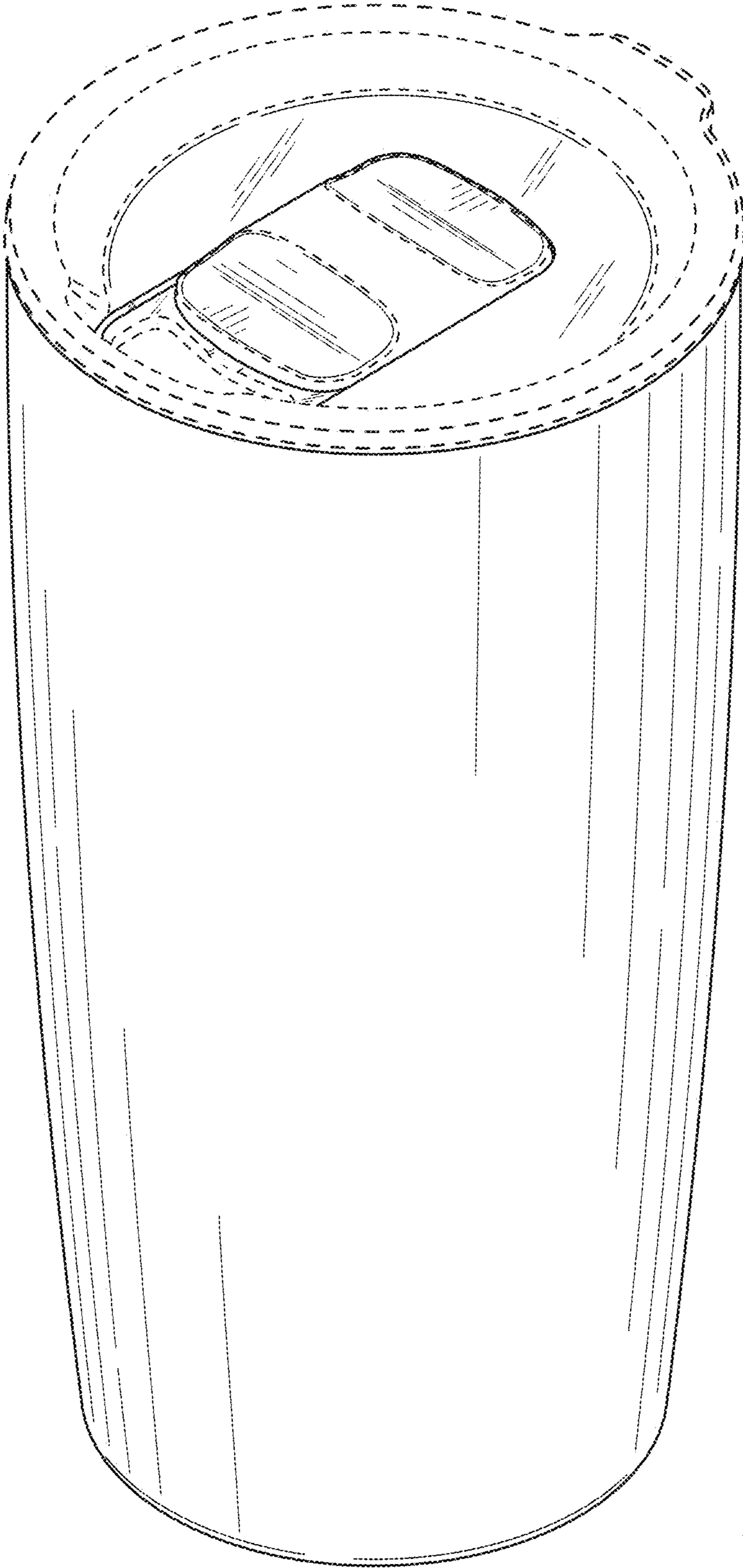


FIG. 1

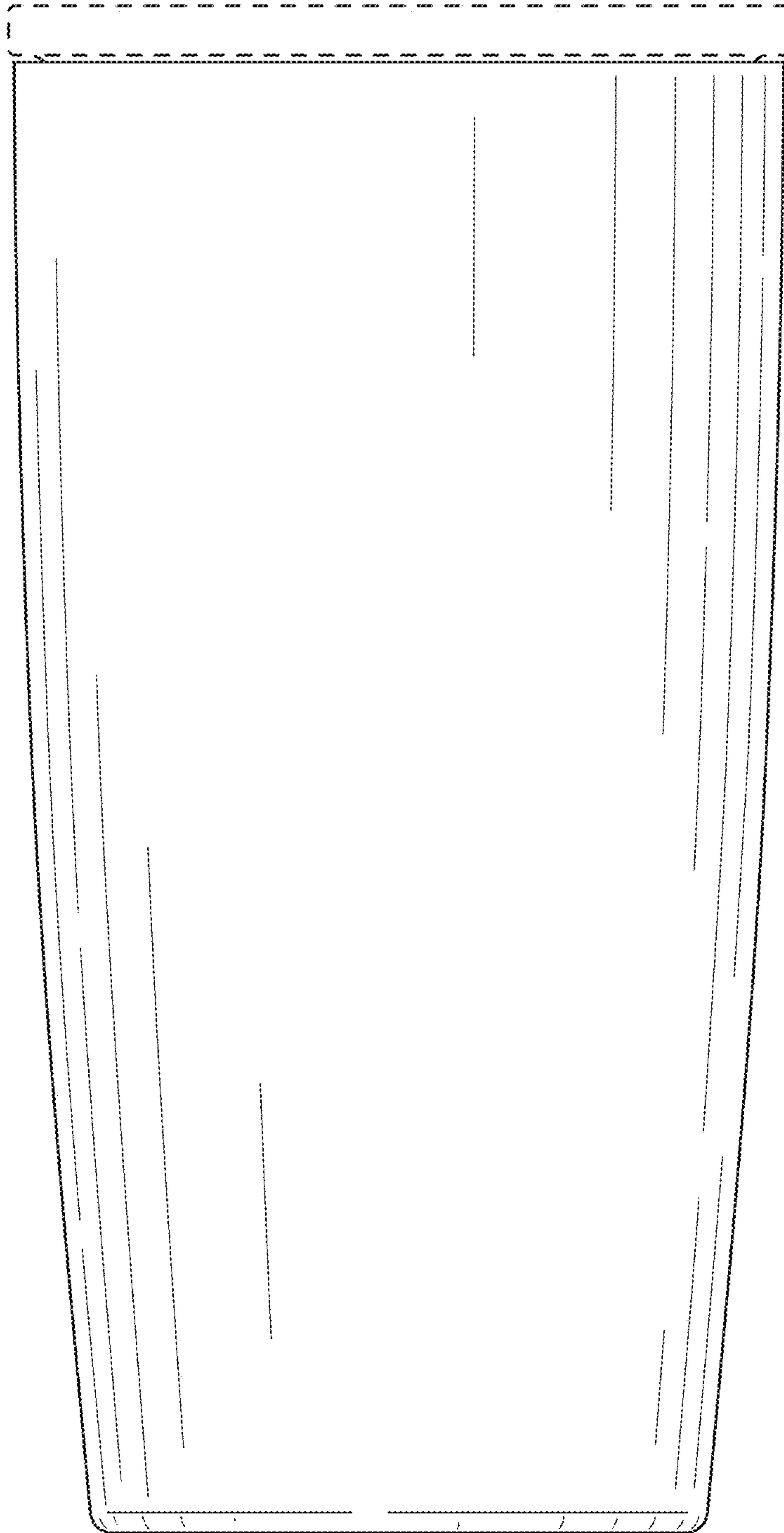


FIG. 2

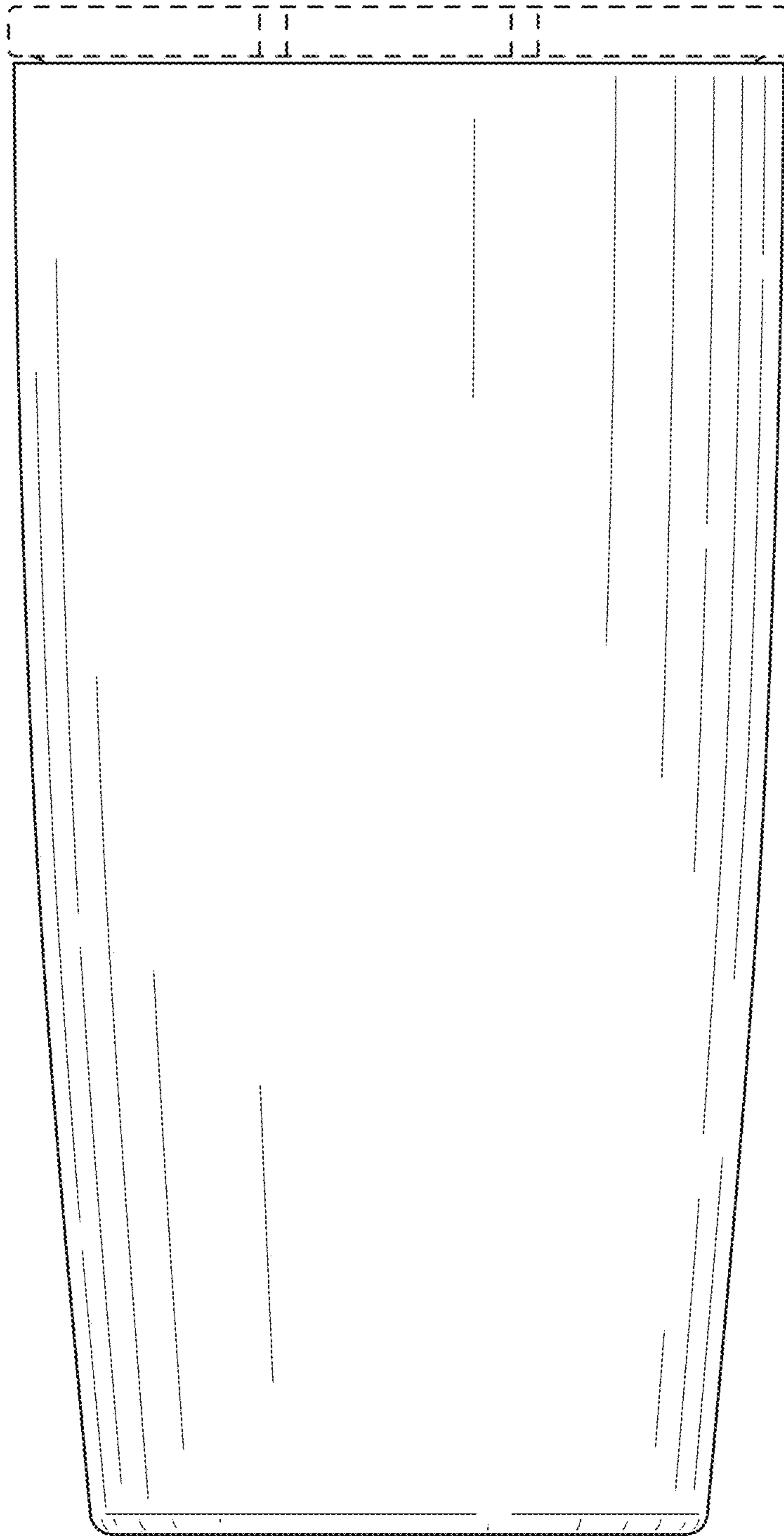


FIG. 3

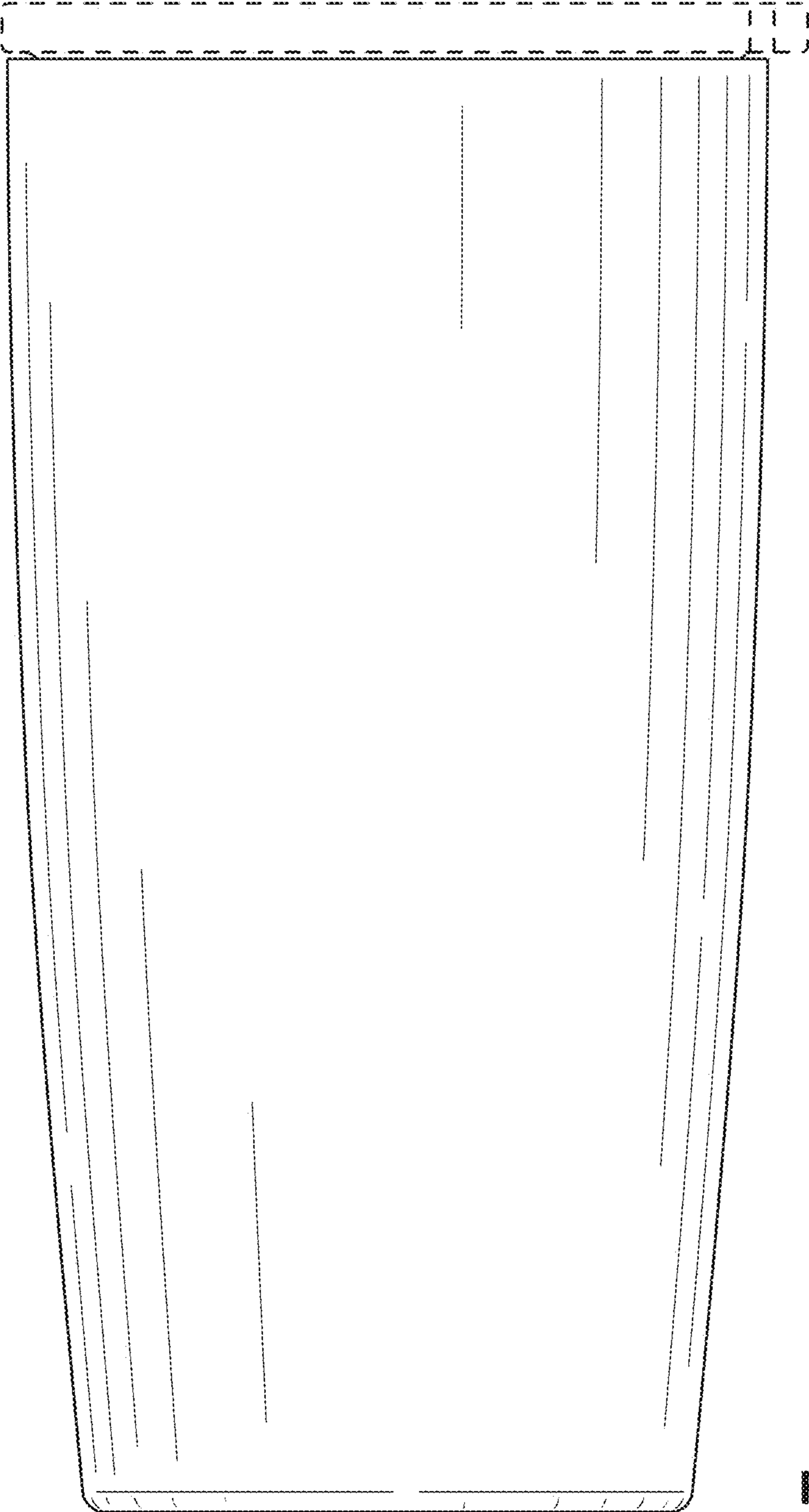


FIG. 4

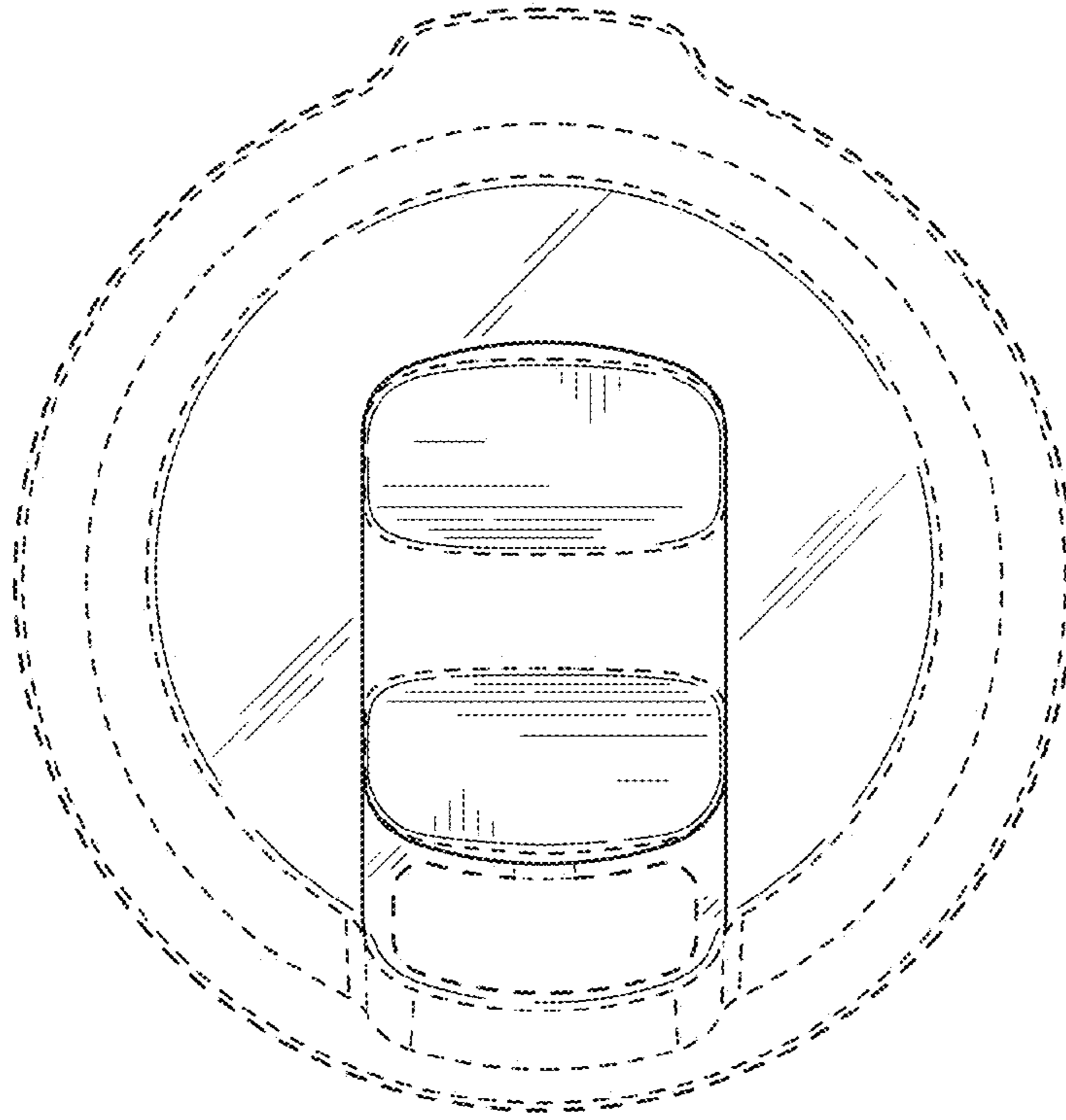


FIG. 5

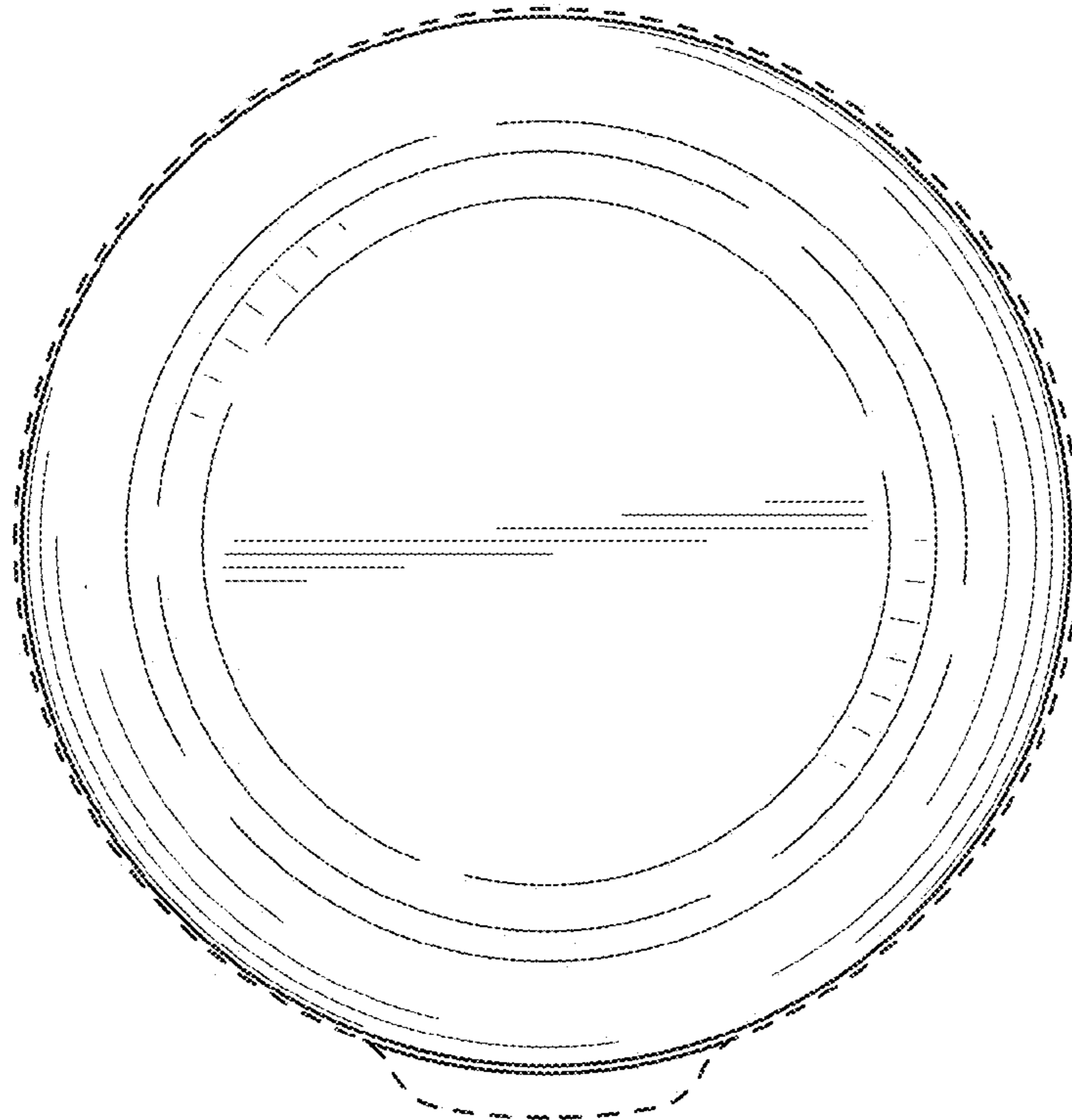


FIG. 6

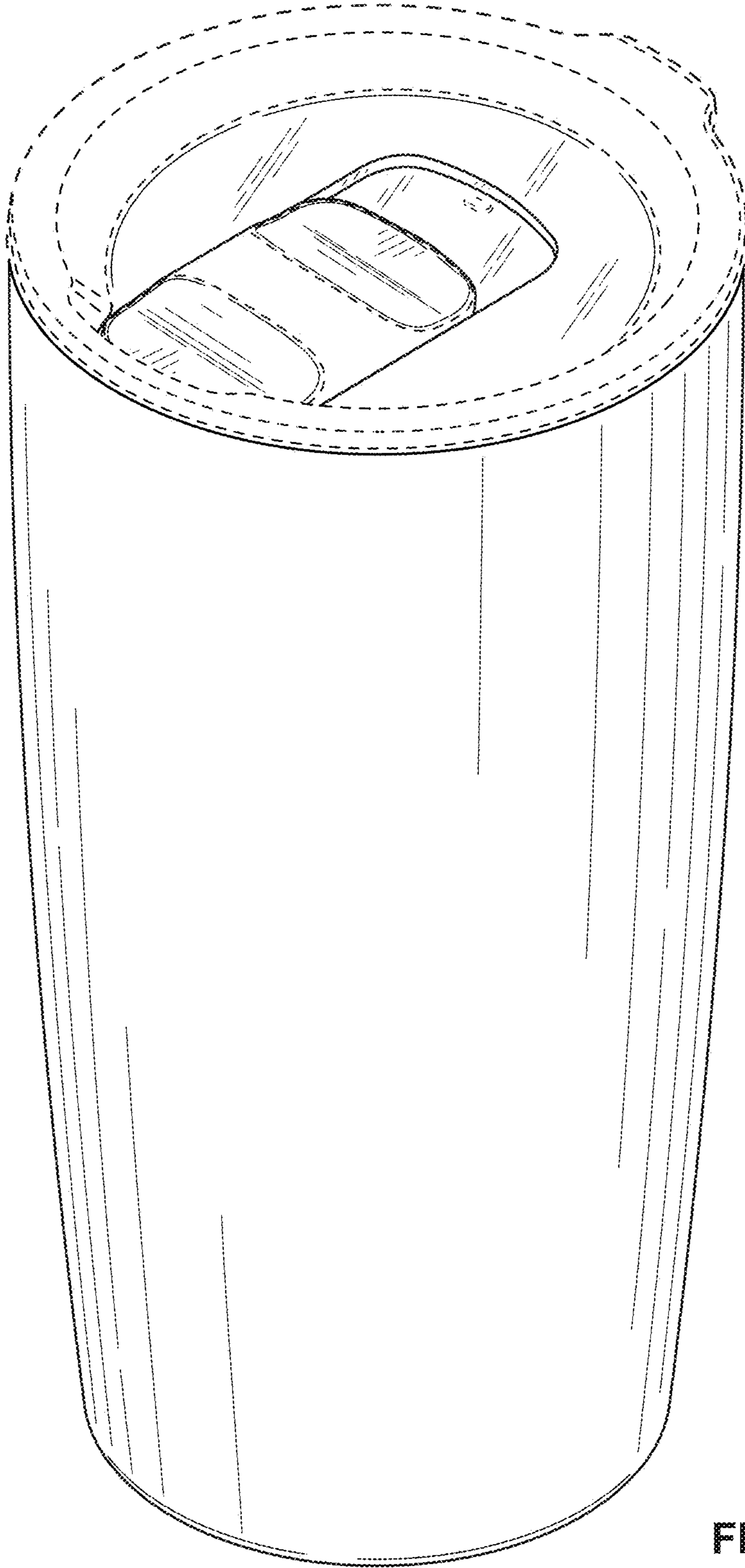


FIG. 7