



US00D886524S

(12) **United States Design Patent**
Choi et al.

(10) **Patent No.:** **US D886,524 S**
(45) **Date of Patent:** **** Jun. 9, 2020**

(54) **GAS RANGE BURNER GRATE**

FOREIGN PATENT DOCUMENTS

(71) Applicant: **Samsung Electronics Co., Ltd.**,
Suwon-si (KR)

EM 000120761-0011 4/2004
EM 000917380-0002 5/2008

(Continued)

(72) Inventors: **Hwan-Woong Choi**, Seoul (KR);
Gi-Sung Han, Seoul (KR); **Hyun-Soo Kim**,
Seongnam-si (KR); **Bo-Kyeong Lee**, Seoul (KR)

Primary Examiner — Derrick E Holland
Assistant Examiner — Andrew Kerr
(74) *Attorney, Agent, or Firm* — NSIP Law

(73) Assignee: **Samsung Electronics Co., Ltd.**,
Suwon-si (KR)

(57) **CLAIM**

We claim the ornamental design for a gas range burner grate,
as shown and described.

DESCRIPTION

(**) Term: **15 Years**

(21) Appl. No.: **29/658,591**

(22) Filed: **Aug. 1, 2018**

(30) **Foreign Application Priority Data**

Mar. 21, 2018 (KR) 30-2018-0013411

(51) **LOC (12) Cl.** **07-99**

(52) **U.S. Cl.**
USPC **D7/408**

(58) **Field of Classification Search**

USPC D7/402, 407, 408, 409, 323, 346,
D7/332-337, 347, 348, 362, 387, 388;
D23/386, 397

CPC F24C 15/10; F24C 15/107
See application file for complete search history.

(56) **References Cited**

U.S. PATENT DOCUMENTS

D353,300 S * 12/1994 Edman D7/408
D602,738 S * 10/2009 Bengtson D7/408
D703,484 S * 4/2014 Boo D7/408
D707,080 S * 6/2014 Shamoon D7/388
D847,566 S * 5/2019 Kamper D7/408

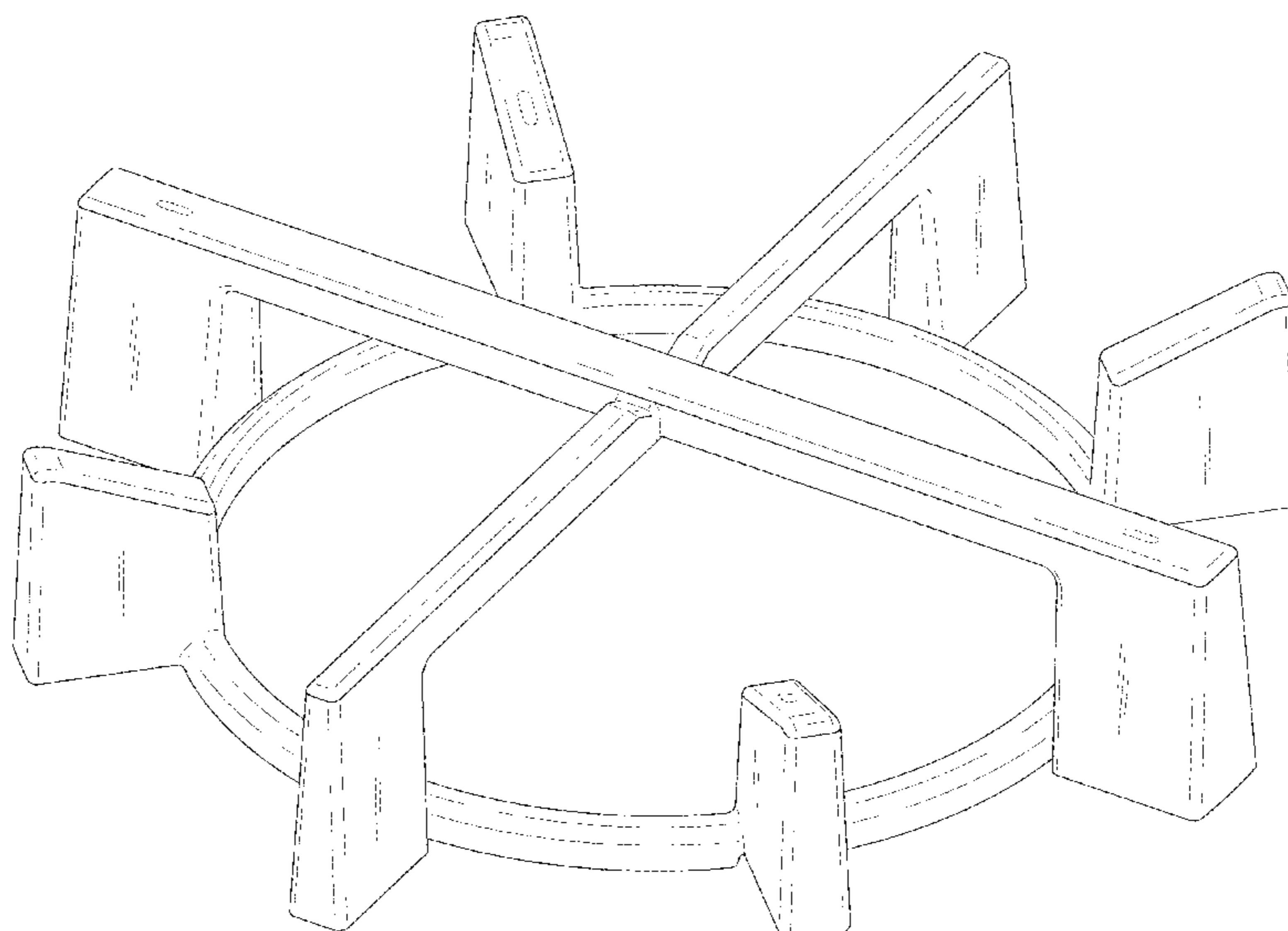
(Continued)

FIG. 1 is a front perspective view of a gas range burner grate showing our new design;
FIG. 2 is a front view thereof;
FIG. 3 is a rear view thereof;
FIG. 4 is a left-side view thereof;
FIG. 5 is a right-side view thereof;
FIG. 6 is a top view thereof;
FIG. 7 is a bottom view thereof;
FIG. 8 is an enlarged view of the encircled portion shown in FIG. 6;
FIG. 9 is an enlarged view of the encircled portion shown in FIG. 6;
FIG. 10 is a front perspective view thereof shown in an example environment;
FIG. 11 is an exploded front perspective view thereof shown in an alternate configuration; and,
FIG. 12 is a front perspective view thereof shown in the alternative configuration.

The broken lines in FIGS. 1 through 7, FIGS. 9 and 11 to 12 depict portions of the gas range burner grate that form no part of the claimed design, and the broken lines in FIG. 10 depict environmental subject matter that forms no part of the claimed design.

The dot-dash broken lines encircling portions of the claimed design that are illustrated in enlargements form no part of the claimed design.

1 Claim, 12 Drawing Sheets



(56)

References Cited

U.S. PATENT DOCUMENTS

D853,189 S * 7/2019 Chintis D7/408
D857,452 S * 8/2019 Sadtler D7/408

FOREIGN PATENT DOCUMENTS

EM 001887357-0007 10/2013
EM 001887357-0047 10/2013
WO DM 064 153 7/2003

* cited by examiner

FIG. 1

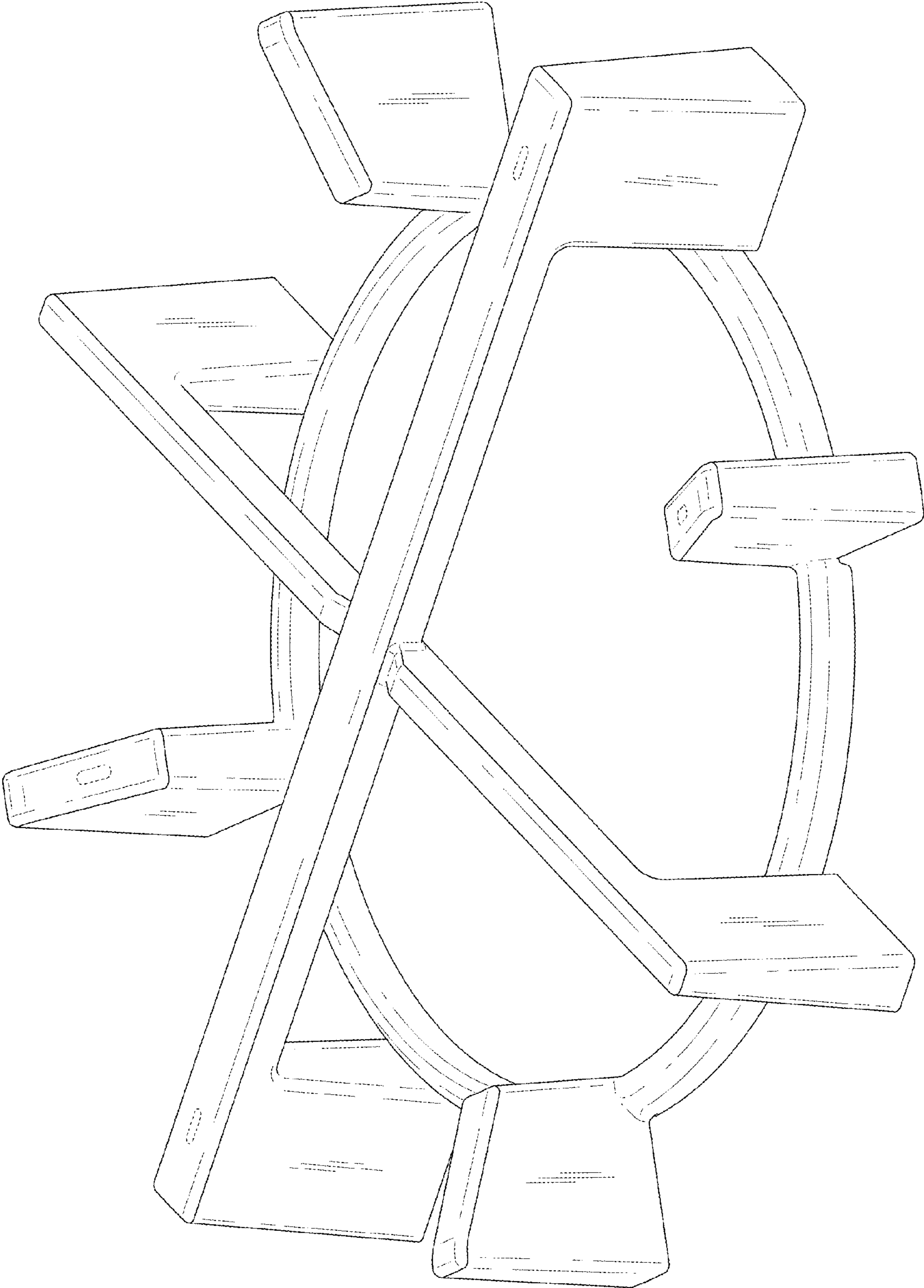


FIG. 2

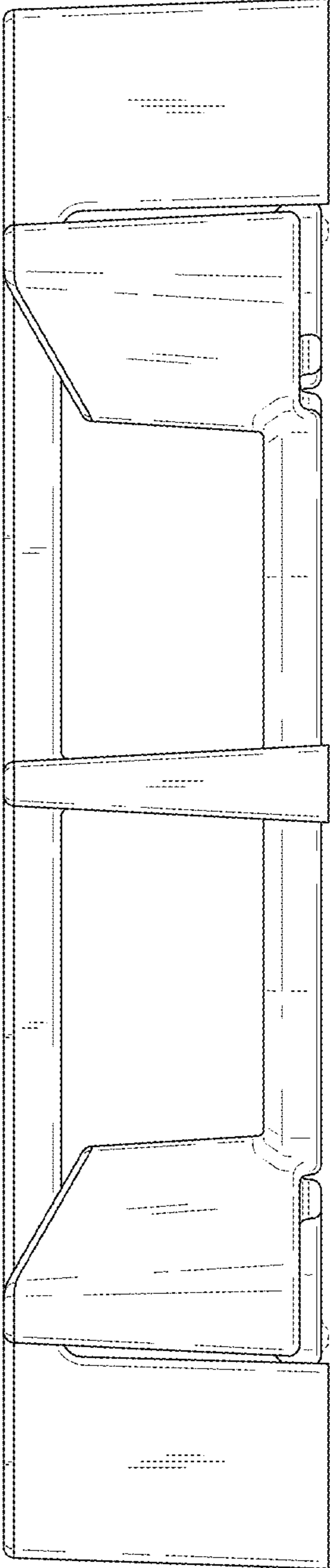


FIG. 3

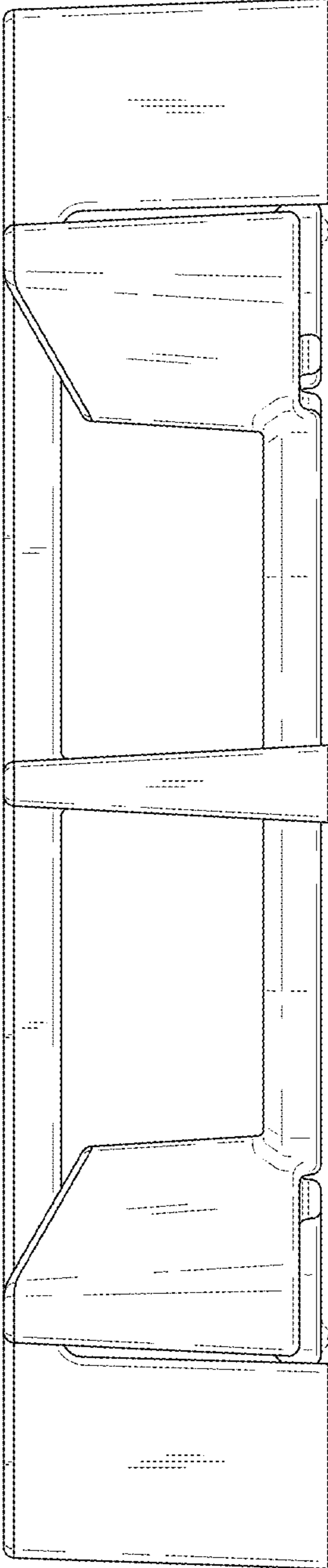


FIG. 4

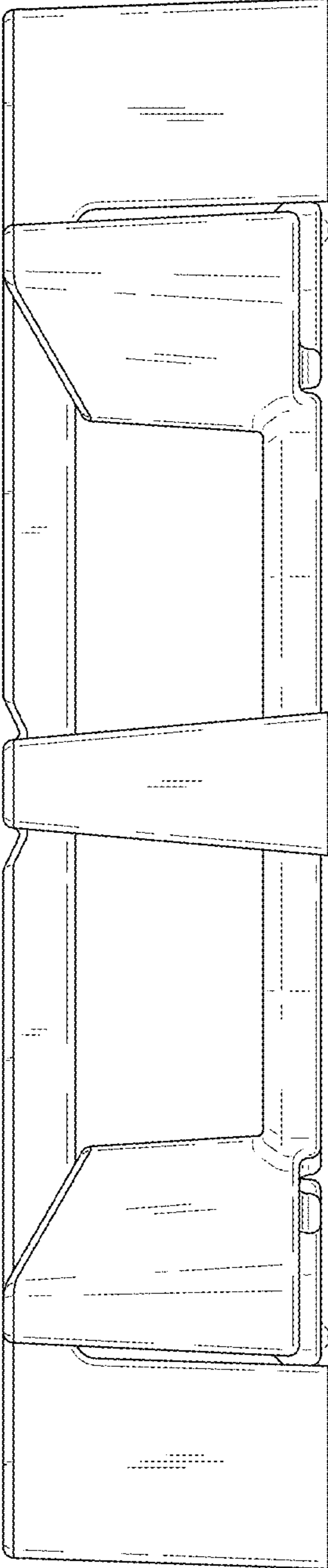


FIG. 5

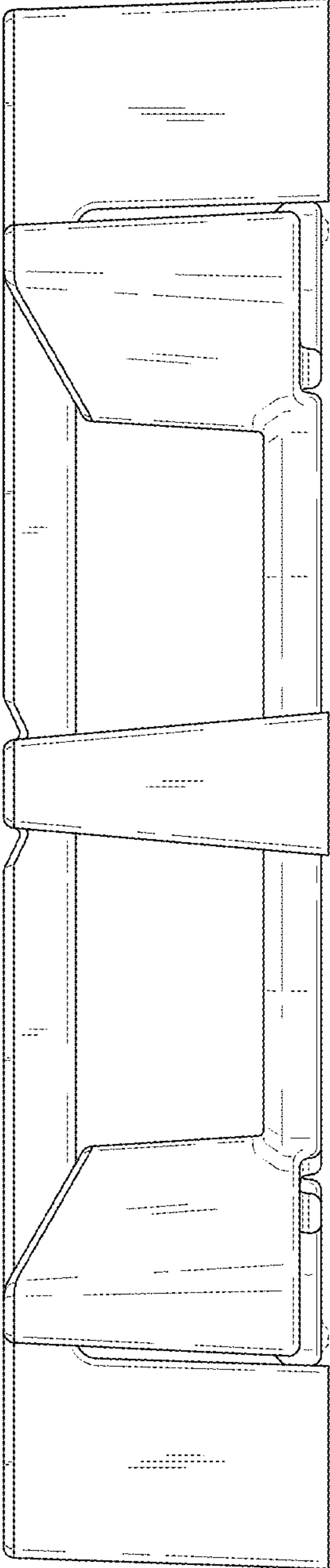


FIG. 6

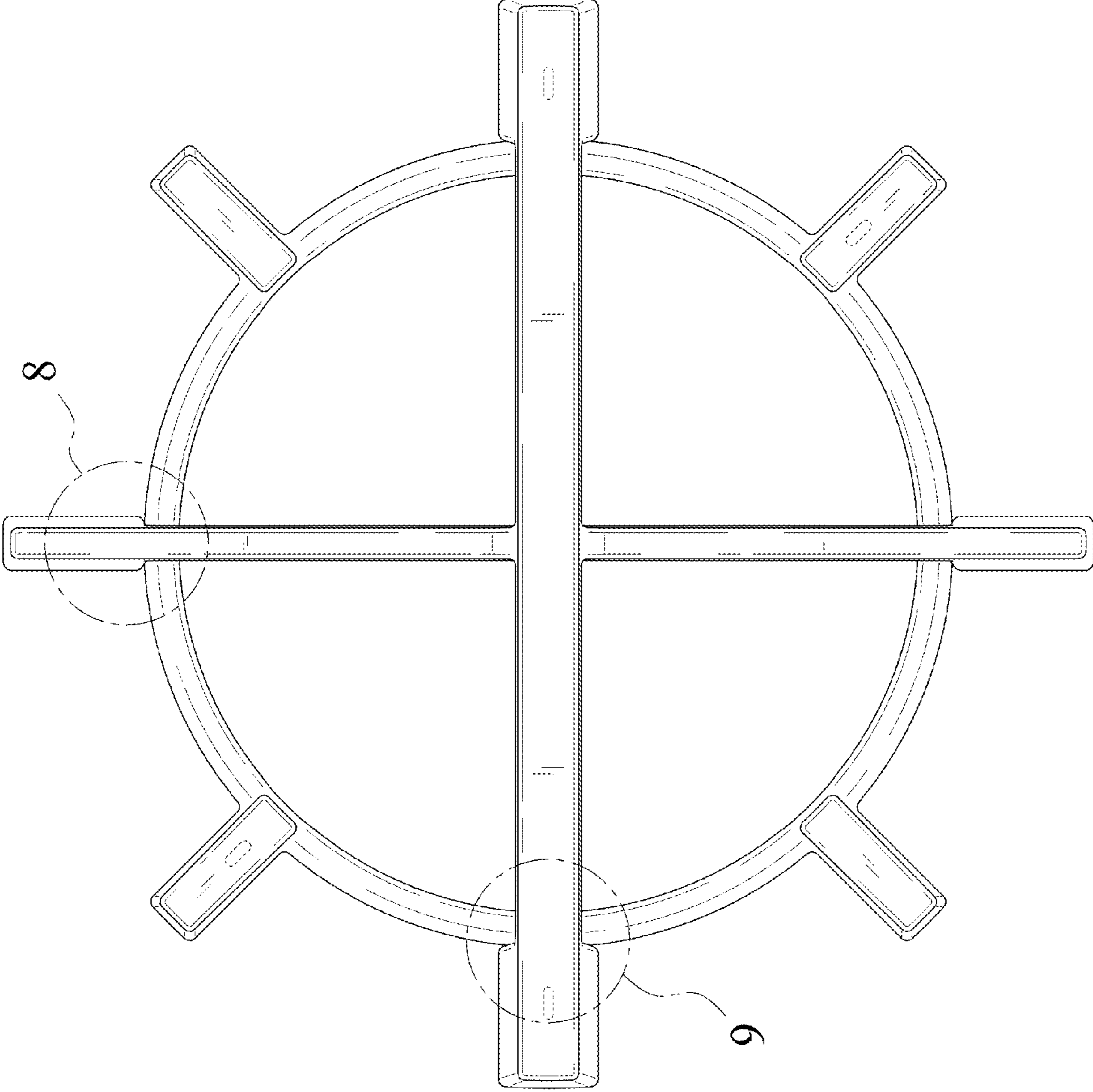


FIG. 7

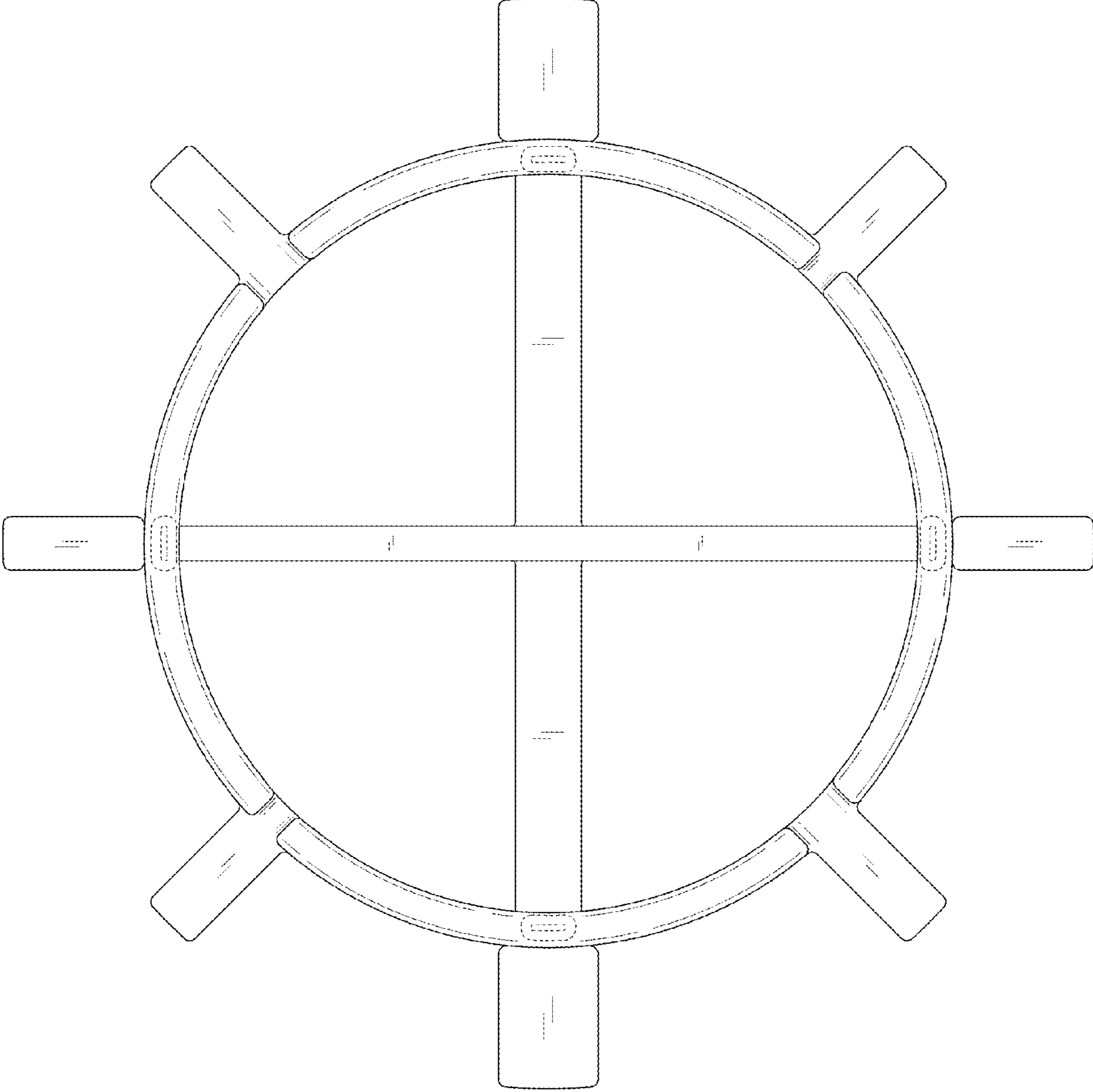


FIG. 8

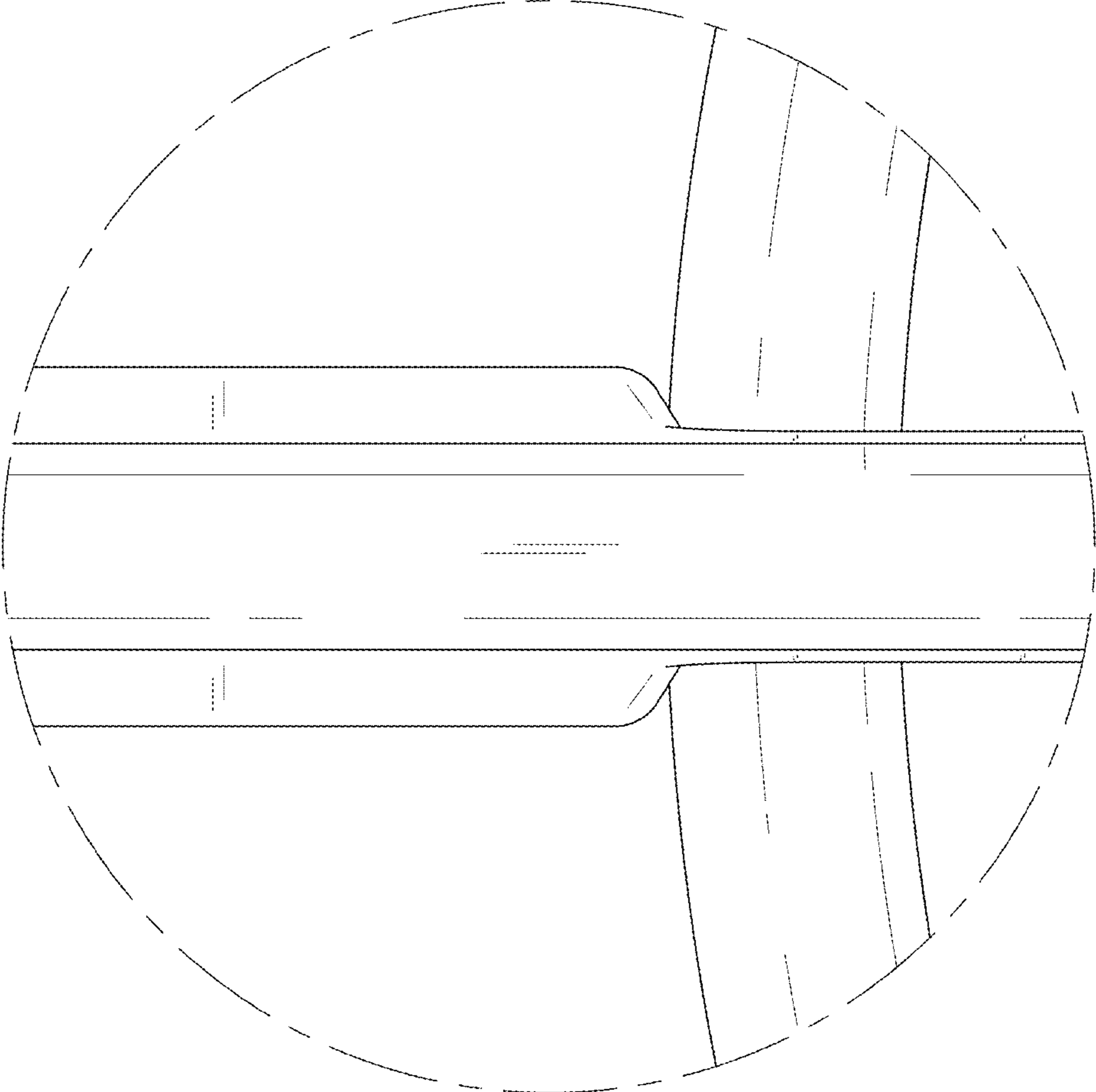


FIG. 9

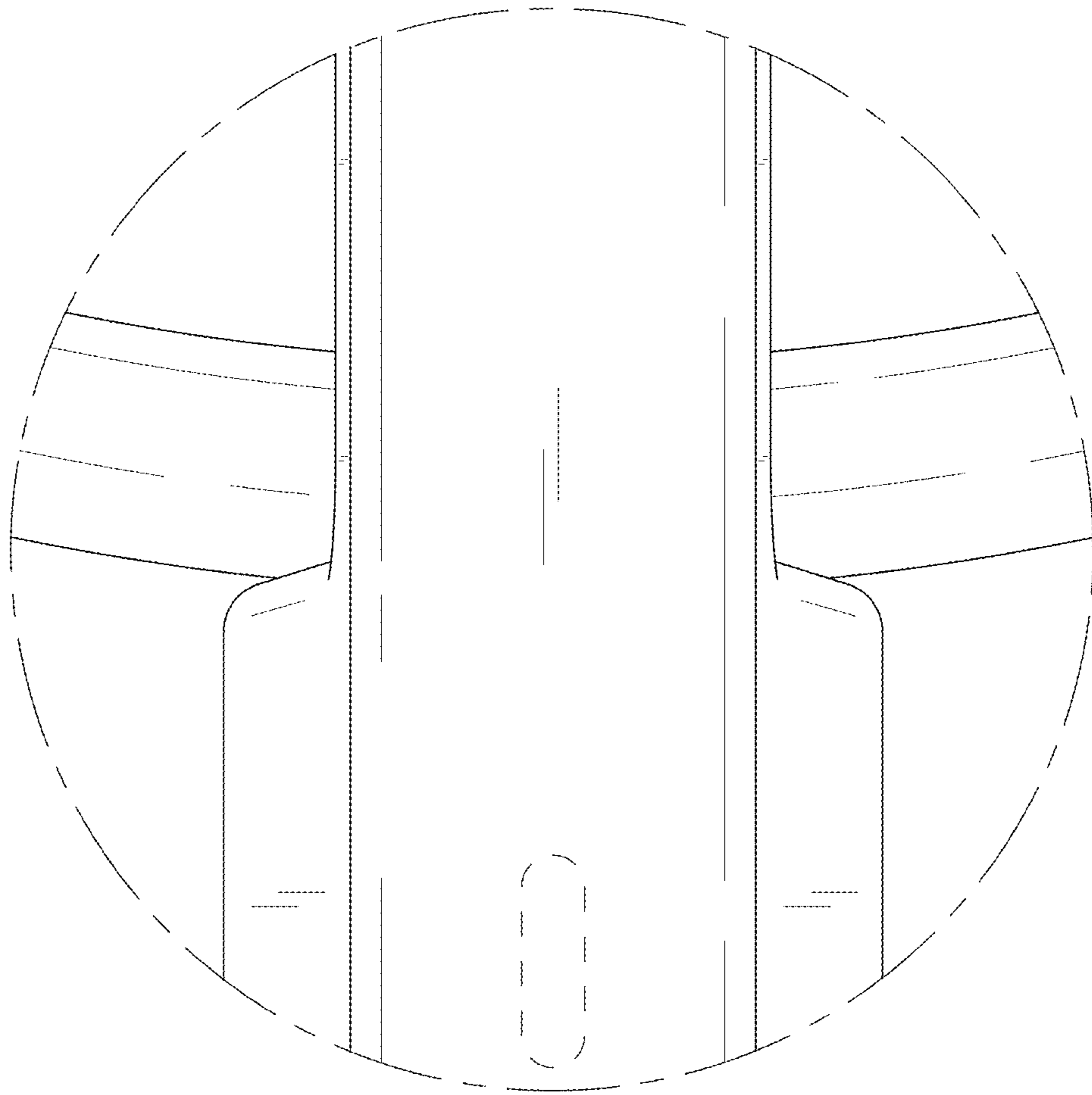


FIG. 10

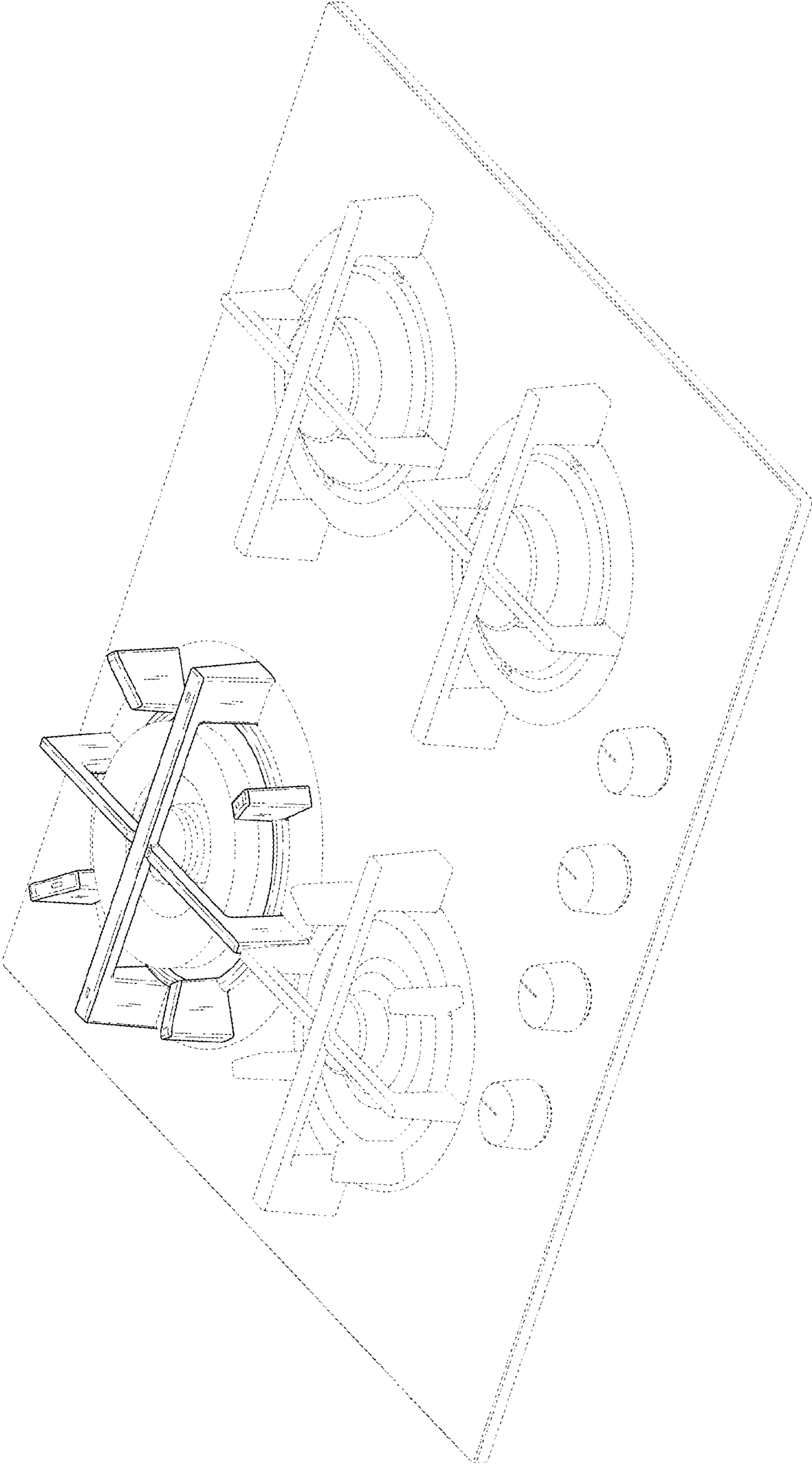


FIG. 11

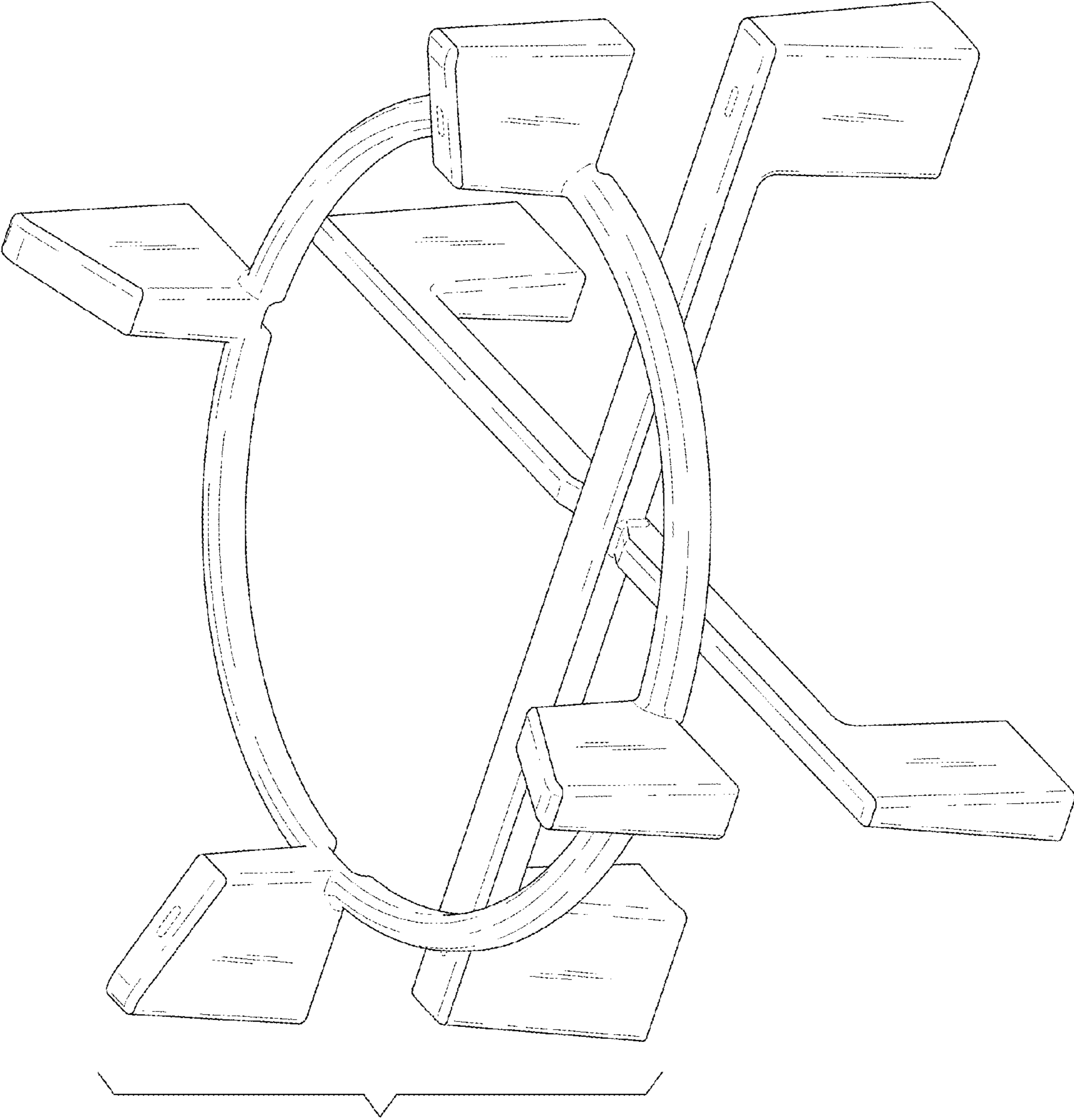


FIG. 12

